


**SERIES
P-PL-PE**
1.0 Riduttori - motoriduttori paralleli - pendolari
1.0 Shaft gearboxes - shaft mounted gearboxes and geared motors
1.0 Flach- und Aufsteckgetriebe und-Getriebemotoren
P

- 1.1 Caratteristiche tecniche
- 1.2 Designazione
- 1.4 Lubrificazione
- 1.5 Carichi radiali e assiali
- 1.6 Prestazioni riduttori
- 1.7 Prestazioni motoriduttori
- 1.8 Dimensioni
- 1.9 Accessori

Technical characteristics
Designation
Lubrication
Axial and overhung loads
Gearboxes performances
Gearmotors performances
Dimensions
Accessories

Technische Eigenschaften
 Bezeichnungen
 Schmierung
 Radiale und Axiale Belastungen
 Leistungen der Getriebe
 Leistungen der Getriebemotoren
 Abmessungen
 Zubehör

E1
E2
E14
E16
E19
E38
E163
E180



Questi prodotti sicuramente colpiscono per la robustezza, dovuta alla realizzazione della carcassa in struttura monolitica, che abbinata alla scelta tecnica di avere solo PAM diretti più compatti, collocano il prodotto finito in una alta fascia qualitativa e prestazionale: risultano quindi perfetti per applicazioni quali traslazione carrello e scorrimento ponte.

Il riduttore a passo lungo per le applicazioni che necessitano di avere il motore e l'applicazione nello stesso lato: il risultato è un'installazione semplice ed estremamente versatile, per molteplici applicazioni quali coclee, mescolatori e sollevamenti. La progettazione di questa serie di riduttori è stata impostata su una struttura monolitica di straordinaria rigidità. Questo permette l'applicazione di carichi elevati senza rischi di deformazione, che ne comprometterebbero le prestazioni.

Il prodotto viene ottenuto utilizzando la serie dei riduttori P, combinati in ingresso con un riduttore epicicloidale con due stadi di riduzione, ottenendo così un riduttore a 4 stadi con la prospettiva di spingere la disponibilità dei rapporti di riduzione ben oltre i limiti delle serie P e PL. Questo consente di realizzare rapporti di riduzione altissimi, in una struttura estremamente rigida, compatta e con ingombri radiali addirittura inferiori alla serie PL.

Il risultato è la combinazione di tutti i pregi della serie P: la robusta struttura monolitica, la semplicità dell'installazione con la peculiarità di poter disporre di rapporti di riduzione straordinariamente alti.

Questi riduttori rappresentano una risposta a tutte quelle applicazioni quali: coclee, mescolatori, sollevamenti, traslazioni, in cui siano necessarie movimentazioni particolarmente lente.

These products strike for the robustness due to the realization of the housing in monolithic structure which, combined to the technical choice to have only direct IEC flange most compact, put the final product in a very high qualitative and performance band.

This extended center distance gearbox is specifically intended for who need to have the engine and the application on the same side: the result is a very flexible and easy to install unit particularly suitable for a wide range of applications such as screw conveyors, mixers and winch/drum lifting drives. The design of this range of gear units is based on one body piece casting giving increased rigidity. This allows to apply high loads without risks of deformation which might negatively affect technical performances.

This product is created using our P series gearbox, combined with 2 planetary reduction stages on the input therefore providing a 4-stage gearbox, increasing the available reduction ratios well beyond the limits of the P and PL series.

This allows us to achieve very high reduction ratios, in an extremely rigid structure which is compact, and with radial dimensions even lower than the PL series. The result is the combination of the advantages of the P series: the robust monolithic structure, and easy installation with the peculiarity of having extremely high reduction ratios.

These gearboxes represent a response to applications such as screw conveyors, mixers, lifts, and displacements, where particularly slow handling is required..

Diese neuen Produkte beindrucken sicherlich durch ihre Stärke, basierend auf einem monolithischen Gehäuse in Verbindung mit der technischen Entscheidung nur direkte massive PAM zu verwenden, und führen somit zu einem hochwertigen und leistungsstarken Endprodukt.

Das Getriebe mit langem Radstand ist für Anwendungen, bei denen der Motor und die Anwendung auf der gleichen Seite sein müssen: das Ergebnis ist eine einfache und sehr vielfältige Installation für eine Vielzahl von Anwendungen wie Förderschnecken, Mischer und Hebeeinrichtungen. Das Design dieser Getriebeserie basiert auf einer monolithischen Struktur mit außergewöhnlicher Steifigkeit. Hierdurch werden Anwendungen mit hohen Belastungen ermöglicht, ohne die Gefahr einer Verformung, welche die Leistungen beeinträchtigen würde.

Dieses Produkt entsteht durch eine Kombination der P-Serie und einem im Eingang platzierten zweistufigen Planetengetriebe, hierdurch entsteht ein Getriebe mit 4 Untersetzungsstufen, welches Untersetzungsverhältnisse weit über die Grenzen der P und PL-Serie schafft.

Dies ermöglicht sehr hohe Untersetzungsverhältnisse bei weiterhin außergewöhnlich steifer und kompakter Bauweise. Zudem sind die radialen Abmessungen, noch geringer als bei der PL-Serie.

Das Ergebnis ist die Kombination aus den Vorteilen der P-Serie, die robuste monolithische Bauweise, die einfache Installation mit der Besonderheit, außergewöhnlich hohe Untersetzungsverhältnisse generieren zu können.

Das Ergebnis ist ein Getriebe, welches sich hervorragend für alle Anwendungen wie Schnecken, Mischer, Hebezeuge und für Übersetzungen bei denen besonders langsame Bewegungen nötig sind, eignet.



1.2 Designazione

1.2 Designation

1.2 Bezeichnung



Riduttori - motoriduttori paralleli - pendolari **P**
Shaft gearboxes - shaft mounted gearboxes and geared motors P
 Flach- und Aufsteckgetriebe und-Getriebemotoren **P**



Maschine	Product Series	Input Version	Output version	Size	N° of reductions	Output Flange	Output Shaft	Shaft Diameter	Mounting Shaft	Rotation Sense BSTOP	Cooling fan	Reduction ratio	Input Shaft	Designation Motors	Mounting positions	Position Terminal Box
00 M	01 SERIE S	02 IV	03 OV	04 SIZE	05 NOR	06 OF	07 OS	08 SD	09 MS	10 RS BSTOP	11 CF	12 IR	13 IS	14 MP	16 PMT	
P	—	M R C	P F	63 71 80 90 100 112 125 132 150 170 190	2 3	— F1 F2 F3 P	— C N B D DB CD FD FDB QL L	— No indications standard diameter Ø... Optional hollow shaft diameter	— S	— O A	— VB VN	See performance tables	— 80B5 80B14 ...	— Look CT 18	M1 M2 M3 M4 M5 M6	1 2 3 4



Riduttori - motoriduttori paralleli - pendolari Lunghi **PL**
Shaft gearboxes - shaft mounted gearboxes Long version PL
 Flach- und Aufsteckgetriebe und-Getriebemotoren **PL**



Maschine	Product Series	Input Version	Output version	Size	N° of reductions	Output Flange	Output Shaft	Shaft Diameter	Mounting Shaft	Rotation Sense BSTOP	Cooling fan	Reduction ratio	Input Shaft	Designation Motors	Mounting positions	Position Terminal Box
00 M	01 SERIE S	02 IV	03 OV	04 SIZE	05 NOR	06 OF	07 OS	08 SD	09 MS	10 RS BSTOP	11 CF	12 IR	13 IS	14 MP	16 PMT	
P	L	M R C	P	25 45 65 85 95 105 115 125 135	3 4	— F1 F2 FA FB	— C N B D DB CD FD FDB QL L	— No indications standard diameter Ø... Optional hollow shaft diameter	— S	—	—	See performance tables	— 80B5 80B14 ...	— Look CT 18	M1 M2 M3 M4 M5 M6	1 2 3 4



Riduttori - motoriduttori paralleli - pendolari **PE** - con ingranaggio epicicloidale
Shaft gearboxes - shaft mounted gearboxes and geared motors PE - with planetary gear
 Flach- und Aufsteckgetriebe und-Getriebemotoren **PE** - mit Planetengetriebe



Maschine	Product Series	Input Version	Output version	Size	N° of reductions	Output Flange	Output Shaft	Shaft Diameter	Mounting Shaft	Rotation Sense BSTOP	Cooling fan	Reduction ratio	Input Shaft	Designation Motors	Mounting positions	Position Terminal Box
00 M	01 SERIE S	02 IV	03 OV	04 SIZE	05 NOR	06 OF	07 OS	08 SD	09 MS	10 RS BSTOP	11 CF	12 IR	13 IS	14 MP	16 PMT	
P	E	M R	P F	125 132 150 170 190	4	— F1 F2 F3	— C N B D DB CD FD FDB QL L	— No indications standard diameter Ø... Optional hollow shaft diameter	— S	—	—	See performance tables	— 80B5 80B14 ...	— Look CT 18	M1 M2 M3 M4 M5 M6	1 2 3 4



1.2 Designazione

1.2 Designation

1.2 Bezeichnung

02 IV - Versione Entrata

IV - Input Version

IV - Antriebsausführung

	M pre arrangement motor	R with solid input shaft	C electric motor driven Compact	NOTES
P_				Version C not available SIZE 80-100-125 132-150-170-190
P_L				Version R not available SIZE 25-45 Version C not available SIZE 115-125-135
P_E			—	Version C not available all SIZES

03 OV - Versione Uscita

OV - Output Version

OV - Abtriebsausführung

	P feet design	F fixing flange design	NOTES
P_			—
P_L		—	in designation CODE default value is "-"
P_E			—

04 SIZE - Grandezza

SIZE - Size

SIZE - Größe

P_	—	63	71	80	90	100	112	125	132	150	170	190
<i>Series P</i>												
P_L	25	45	—	65	—	85	—	95	105	115	125	135
<i>Series - PL</i>												
P_E	—	—	—	—	—	—	—	125	132	150	170	190
<i>Series - PE</i>												



1.2 Designazione

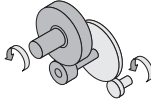
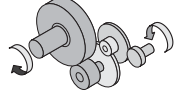
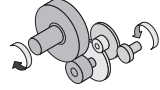
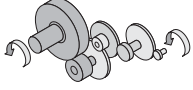
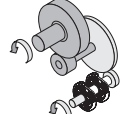
1.2 Designation

1.2 Bezeichnung

05 NOR - N° Stadi

NOR - N° of reductions

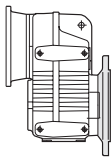
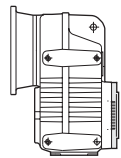
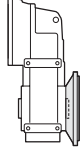
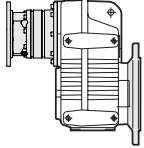
NOR - N° Anzahl der stufen

	2 N° 2 stages reductions	3 N° 3 stages reductions	4 N° 4 stages reductions	NOTES
P_—	 2 - Stage	 3 - Stage	—	2 stages - available SIZE 63-71-80-90-100-112-125 132-150-170-190 3 stages - available SIZE 63-71-90-112
P_L	—	 3 - Stage	 4 - Stage	3 stages - available SIZE 25-45-65-85-95 105-115-125-135 4stages - available SIZE 25-45
P_E	—	—	 4 - Stage	4 stages - available SIZE 125-132-150-170-190

06 OF - Flangia Uscita

OF - Output Flange

OF - Flansche am Abtrieb

	— Without Flange	F. Output Flange F.	P Output Flange P	NOTES
P_—	Version with gearbox connection without flange			—
P_L	Version with gearbox connection without flange		—	Flanges are only available in standard version as shown in the figure all flanges can be modulated except for dimension 65.
P_E	Version with gearbox connection without flange		—	—



1.2 Designazione

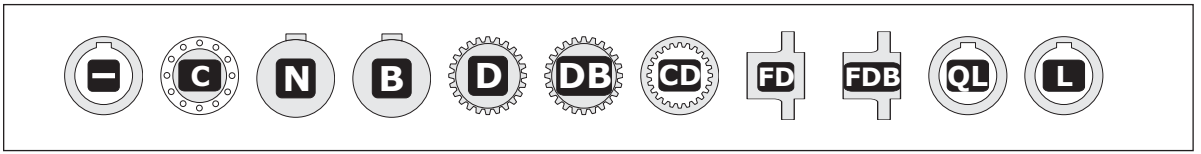
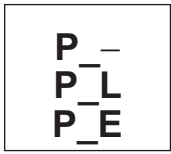
1.2 Designation

1.2 Bezeichnung

07 OS - Estremità uscita

OS - Output shaft

OS - Wellenende - Abtrieb



— Nessuna indicazione = albero forato;
C = albero forato con calettatore
N = Sporgente Integrale
B = albero bisporgente integrale
D = Sporgente Scanalato
DB = Bisporgente integrale Scanalato
CD = Albero forato Scanalato
FD = Flangia brocciata
FDB = Flangia brocciata Bisporgente
QL = Quick Locking
L = Predisposizione "Quick Locking "

— No indication = hollowshaft with keyway
C = hollow shaft with shrink disk
N = Output shaft
B = Double integral output shaft
D = Splined output shaft
DB =Double splined shaft
CD =Splined hollow shaft
FD = Broached flange
FDB =Double broached flange
QL = Quick Locking
L = Adjustment "Quick Locking "

— Keine Angabe = Hohlwelle mit Paßfedernut
C = Hohlwelle mit Schrumpfscheibe
N = Holwelle mit Wellenende
B = Doppeltem Integralwelle
D = Abtriebswelle mit Keilende
DB = Doppelseitig verzahnte Welle
CD =Verzahnte Hohlwelle
FD = Geräumtem Flansch
FDB =Geraeumter Doppelflansch
QL = Quick Locking
L = Vorbereitung "Quick Locking "

i * FD - FDB - Contattare il ns. servizio tecnico / Contact our technical dept / Wenden Sie sich an unseren technischen Service

08 SD - Diametro albero

SD - Shaft diameter

SD - Durchmesser Abtriebswelle

— Nessuna indicazione = diametro standard;
diametro opzionale = vedi tabella.

— No indications = standard diameter;
optional diameter = see table.

— Keine Angabe = Standard-durchmesser
Optionaler durchmesser = siehe Tabelle.

P_	P_L	P_E											
			Standard	Optional	Standard	Optional	Standard	Optional	Standard	Standard	Standard	Standard	Standard
			—	∅...	—	∅...	— (standard) ∅...(Optional)	—	—	—	—	—	
—	25	—	(∅ 20)	∅ 24 ∅ 19	(∅ 20)	not available	(∅ 20 Standard)	—	—	—	—	—	—
—	45	—	(∅ 30)	∅ 25	(∅ 30)		(∅ 30 Standard)	(DIN 5482 35 x 31)	(DIN 5482 28 x 25)	(DIN 5482 35 x 31)			
63	—	—		∅ 25 ∅ 28			(∅ 35 Standard)	(DIN 5482 35 x 31)	(DIN 5482 35 x 31)	(DIN 5482 35 x 31)			
71	—	—	(∅ 35)	∅ 30 ∅ 32	(∅ 35)		(∅ 35 Standard)	(DIN 5482 40 x 36)	(DIN 5482 35 x 31)	(DIN 5482 40 x 36)			
—	65	—	(∅ 35)	∅ 30	(∅ 35)		(∅ 35 Standard)	(DIN 5482 40 x 36)	(DIN 5482 35 x 31)	(DIN 5482 40 x 36)			
80	—	—	(∅ 32)	∅ 30 ∅ 35	(∅ 35)		(∅ 32 Standard)	(DIN 5482 40 x 36)	(DIN 5482 35 x 31)	(DIN 5482 40 x 36)			
90	—	—	(∅ 40)	∅ 42 ∅ 45 ∅ 48	(∅ 40)		(∅ 40 Standard)	(DIN 5482 40 x 36)	(DIN 5482 40 x 36)	(DIN 5482 40 x 36)			
100	85	—	(∅ 45)	∅ 40 ∅ 50	(∅ 45)		(∅ 45 Standard)	(DIN 5482 58 x 53)	(DIN 5482 45 x 41)	(DIN 5482 58 x 53)			
112	—	—	(∅ 50)	∅ 55	(∅ 50)		(∅ 50 Standard)	(DIN 5482 58 x 53)	(DIN 5482 50 x 45)	(DIN 5482 58 x 53)			
125	95	125	(∅ 55)	∅ 50 ∅ 60	(∅ 55)		(∅ 55 Standard)	(DIN 5482 70 x 64)	(DIN 5482 55 x 50)	(DIN 5482 70 x 64)			
132	105	132	(∅ 60)	∅ 70	(∅ 60)		∅ 70	(∅ 60 Standard) ∅ 70 (Optional)	(FIAT 70)	(DIN 5482 70 x 64)	(FIAT 70)		
150	115	150	(∅ 70)	∅ 80	(∅ 70)		∅ 80	(∅ 70 Standard) ∅ 80 (Optional)	(FIAT 80)	(DIN 5482 80 x 74)	(FIAT 80)		
170	125	170	(∅ 90)	not available	(∅ 90)		not available	(∅ 90 Standard)	(FIAT 95)	(DIN 5482 90 x 84)	(FIAT 95)		
190	135	190	(∅ 100)	not available	(∅ 100)	not available	(∅ 100 Standard)	(DIN 5480 105 x 80)	(DIN 5482 100 x 94)	(DIN 5480 105 x 80)			



1.2 Designazione

1.2 Designation

1.2 Bezeichnung

08SD - Diametro albero



SD - Shaft diameter














SD - Durchmesser Abtriebswelle

diametro = vedi tabella.

diameter = see table.

Durchmesser = siehe Tabelle.

P_—	P_L	P-E		
71	—	—	∅ 20 - ∅ 25 - ∅ 30	Contattare nostro ufficio tecnico commerciale Please, contact our technical sales dept. Bitte setzen Sie sich mit unserer technischen Abteilung in Verbindung
80	—	—	∅ 20 - ∅ 25 - ∅ 30	
90	—	—	∅ 25 - ∅ 30 - ∅ 35 - ∅ 38 - ∅ 40 - ∅ 42 - ∅ 45 - ∅ 48	
100	85	—	∅ 25 - ∅ 30 - ∅ 35 - ∅ 38 - ∅ 40 - ∅ 42 - ∅ 45 - ∅ 48	
112	—	—	∅ 30 - ∅ 35 - ∅ 40 - ∅ 45 - ∅ 50	
125	95	125	∅ 35 - ∅ 40 - ∅ 45 - ∅ 48 - ∅ 50 - ∅ 55	
132	105	132	∅ 40 - ∅ 45 - ∅ 50 - ∅ 55 - ∅ 60 - ∅ 65	
150	115	150	∅ 45 - ∅ 50 - ∅ 55 - ∅ 60 - ∅ 65 - ∅ 70 - ∅ 75	
170	125	170	∅ 55 - ∅ 60 - ∅ 65 - ∅ 70 - ∅ 75 - ∅ 80	
190	135	190	∅ 70 - ∅ 75 - ∅ 80 - ∅ 85 - ∅ 90	

these output shafts for these ratios are not available 			
P_—_100		only for diameter ∅ 50	 ratio 61,8
P_—_190	   	all diameter	 ratios 28,6 - 31,5 - ,34,9
P_L_135	   	all diameter	 ratios 221,2 - 245,1

09MS - Posizione Albero


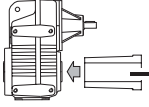
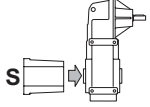


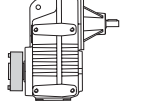
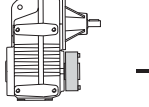
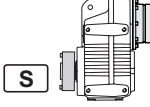

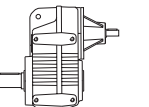
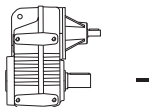
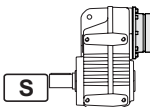

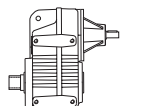
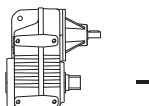
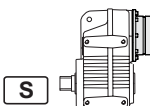

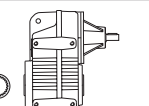
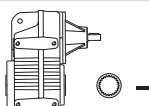


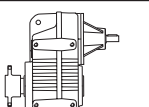
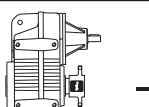
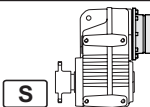
MS - Mounting Shaft

MS - Montageposition Welle

— Nessuna indicazione = lato destro (standard);
S = lato sinistro, montaggio dalla parte opposta
 (opzionale).

— No indication (standard) = on right side;
S = on left side, on the opposite.

— Keine Angabe (Standard) = rechts;
S = links.

			
	S 		
	S 		
	S 		
	S 		
	S 		



1.2 Designazione

10 **RSBSTOP** - Senso di rotazione (valido solo se richiesto dispositivo antiretro)

O = ORARIO (il riduttore può ruotare solo in senso orario visto dal lato destro come in figura);
A = ANTIORARIO.

1.2 Designation

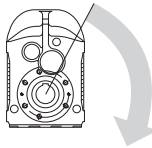
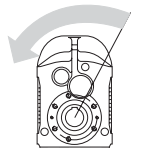
RSBSTOP - *Rotation sense (only necessary for solution with backstop device)*

O = *CLOCKWISE (looking at the gearbox from the perspective shown below).*
A = *ANTICLOCKWISE.*

1.2 Bezeichnung

RSBSTOP - *Drehrichtung (Nur bei Ausföhrungen mit RÖcklaufsperre)*

O = im Uhrzeigersinn (bei Betrachtung des Getriebes aus der unten dargestellten Perspektive);
A = Gegen den Uhrzeigersinn.

	—	O	A	NOTES
	Standard - Without Backstop	CLOCKWISE	ANTICLOCKWISE	
P_—	—			available SIZE 63-71-90-112-125
P_L	—	—	—	Standard - Without Backstop
P_E	—	—	—	Standard - Without Backstop

11 **CF - Ventole di raffreddamento**

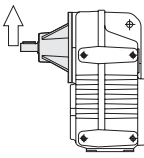
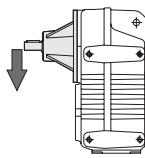
A Richiesta - Sono normalmente applicate su riduttori con un solo senso di rotazione. Indicare nella richiesta il senso di rotazione riferendosi all'albero veloce (freccia nera - **VN** e freccia bianca **VB**)

CF - Cooling fans

On Request - *They are usually applied on gearboxes with one direction of rotation. Specify the required direction of rotation referring to input shaft (black arrow - **VN** and white arrow - **VB**)*

CF - KÖhllÖferräder

Auf Anfrage - Sie werden ¼blicherweise bei Getrieben mit einer Drehrichtung verwendet. Geben Sie die gew¼nschte Drehrichtung in Bezug auf die Antriebswelle an (schwarzer Pfeil - **VN** und weiÖser Pfeil **VB**)

	—	VB	VN	NOTES
	Standard - Without FAN	one direction of rotation - white arrow	one direction of rotation - black arrow	
P_—	—			available SIZE 170-190
P_L	—	—	—	Standard - Without FAN
P_E	—	—	—	Standard - Without FAN

12 **IR- Rapporto di riduzione**

(Vedi prestazioni). Tutti i valori dei rapporti sono approssimati. Per applicazioni dove necessita il valore esatto consultare il ns. servizio tecnico.

IR - Reduction ratio

(See ratings). Ratios are approximate values. If you need exact values for a specific application, please contact our Engineering.

IR - ¼bersetzungsverh¼ltnis

(Siehe "Leistungen"). Bei allen Werten der ¼bersetzungen handelt es sich um approximative Wertangaben. Bei Applikationen, bei denen die exakte Wertangabe erforderlich ist, muss unser Technischer Kundendienst konsultiert werden.



1.2 Designazione

1.2 Designation

1.2 Bezeichnung

13 IS - Albero Entrata
IS - Input shaft
IS - Antriebswelle

P _ _ M



Possible couplings with IEC motors

SIZE	NOR	CF	IR	IS	
63	2	—	All	112	28/250 (B5) - 28/160 (B14)
				100	28/250 (B5) - 28/160 (B14)
				90	24/200 (B5) - 24/140 (B14) 24/160 - 24/120
				80	19/200 (B5) - 19/120 (B14) 19/160 - 19/140
	71			14/160 (B5)	
	63			11/140 (B5)	
	3			80	19/200 (B5) - 19/120 (B14) 19/160 - 19/140
				71	14/160 (B5)
63		11/140 (B5)			
71		2	—	All	112
	100				28/250 (B5) - 28/160 (B14) 28/200 - 28/140 - 28/120
	90				24/200 (B5) - 24/140 (B14) 24/250 - 24/160 - 24/120
	80				19/200 (B5) - 19/120 (B14) 19/250 - 19/160 - 19/140
	71	14/160 (B5) 14/250 - 14/200 - 14/140 - 14/120			
	90	24/200 (B5) - 24/140 (B14) 24/160 - 24/120			
	3	80			19/200 (B5) - 19/120 (B14) 19/160 - 19/140
		71			14/160 (B5) 14/200 - 14/140 - 14/120
63		11/140 (B5)			
80		2	—	All	132
	112				28/250 (B5) - 28/160 (B14) 28/200 - 28/140 - 28/120
	100				28/250 (B5) - 28/160 (B14) 28/200 - 28/140 - 28/120
	90				24/200 (B5) - 24/140 (B14) 24/250 - 24/160 - 24/120
	80				19/200 (B5) - 19/120 (B14) 19/250 - 19/160 - 19/140
90	2	—	All	132	38/300 (B5) - 38/200 (B14) - 38/250
				112	28/250 (B5) - 28/160 (B14) 28/200 - 28/140 - 28/120
				100	28/250 (B5) - 28/160 (B14) 28/200 - 28/140 - 28/120
				90	24/200 (B5) - 24/140 (B14) 24/250 - 24/160 - 24/120
				80	19/200 (B5) - 19/120 (B14) 19/250 - 19/160 - 19/140
	3			112	28/250 (B5) - 28/160 (B14)
				100	28/250 (B5) - 28/160 (B14)
				90	24/200 (B5) - 24/140 (B14) 24/160 - 24/120
				80	19/200 (B5) - 19/120 (B14) 19/160 - 19/140
				71	14/160 (B5) 14/200 - 14/140 - 14/120
100	2	—	All	180	48/350 (B5) - 48/300 - 48/250
				160	42/350 (B5) - 42/300 - 42/250
				132	38/300 (B5) - 38/350 - 38/250
				112	28/250 (B5) - 28/350 - 28/300
				100	28/250 (B5) - 28/350 - 28/300
112	2	—	All	180	48/350 (B5) - 48/300 - 48/250
				160	42/350 (B5) - 42/300 - 42/250
				132	38/300 (B5) - 38/350 - 38/250
				112	28/250 (B5) - 28/350 - 28/300
	3			100	28/250 (B5) - 28/350 - 28/300
				112	28/250 (B5)
				100	28/250 (B5)
				90	24/200 (B5)
80	19/200 (B5)				
125 132	2	—	All	200 *	55/400 (B5)
				180 *	48/350 (B5)
				160 *	42/350 (B5)
				132	38/300 (B5) - 38/200 (B14) - 38/250
				112	28/250 (B5) - 28/200 - 28/300
100	28/250 (B5) - 28/200 - 28/300				
150	2	—	All	225 *	60/450 (B5)
				200 *	55/400 (B5) - 55/450
				180 *	48/350 (B5) - 48/450 - 48/400
				160 *	42/350 (B5) - 42/450 - 42/400
				132	38/300 (B5) - 38/200 (B14) - 38/250
				112	28/250 (B5) - 28/200 - 28/300
				100	28/250 (B5) - 28/200 - 28/300

* All PAM configurations supplied with ROTEX coupling. Where PAM configuration is marked with an asterisk, see directions (for mounting directions, see section A, paragraph "Installation" - 1.12)



1.2 Designazione

1.2 Designation

1.2 Bezeichnung

13	IS - Albero Entrata IS - Input shaft IS - Antriebswelle	P _ _ M		
----	---	----------------	--	--

Possible couplings with IEC motors

SIZE	NOR	CF	IR	IS	
170 190	2	—	19.7	250 *	65/550 (B5)
				225 *	60/450 (B5)
				200 *	55/400 (B5)
			34.9	180 *	48/350 (B5)
				160 *	42/350 (B5)
				132 *	38/300 (B5)
	VB VN	—	4.6	280 *	75/550 (B5)
				250 *	65/550 (B5)
			25.8	225 *	60/450 (B5)

* All PAM configurations supplied with ROTEX coupling. Where PAM configuration is marked with an asterisk, see directions (for mounting directions, see section A, paragraph "Installation" - 1.12)

Nella tab. sono riportate le grandezze motore accoppiabili (IEC) unitamente alle dimensioni albero/flangia motore standard

In table the possible shaft/flange dimensions IEC standard are listed.

In Tabelle sind die möglichen Welle/Flansch-Abmessungen IEC-Standard aufgelistet.

Legenda:
11/140 (B5): combinazioni albero/flangia standard
11/120 : combinazioni albero/flangia a richiesta

Key:
11/140 : standard shaft/flange combination
11/120 : shaft/flange combinations upon request

Legende:
11/140 : Standardkombinationen Welle/Flansch
11/120 : Sonderkombinationen Welle/Flansch



Posizione morsetti - Vedere - 16 - PMT - Pagina E13
Terminal board position - Look - 16 - PMT - Page E13
Lage des Klemmenkastens - Siehe - 16 - PMT - Auf Seite E13

<p>Designazione motore elettrico Se è richiesto un motoriduttore completo di motore è necessario riportare la designazione di quest'ultimo. A tale proposito consultare il ns. catalogo dei motori elettrici Electronic Line.</p>	<p>Electric motor designation For applications requiring a gearmotor, motor designation must be specified. To this end, please refer to our Electronic Line electric motor catalogue.</p>	<p>Bezeichnung des Elektromotors Wird ein Getriebemotor komplett mit Elektromotor angefordert, müssen dessen Daten angegeben werden. Diesbezüglich verweisen wir auf unseren Katalog der Elektromotoren "Electronic Line".</p>
---	---	--

13	IS - Albero Entrata IS - Input shaft IS - Antriebswelle	P _ _ R		
----	---	----------------	--	--

— Nessuna indicazione = diametro standard; — No indications = standard diameter; — Keine Angabe = Standard-durchmesser

Possible solid input shafts

SIZE	NOR	CF	IR	IS	Shaft diameter
63	2	—	All	—	(Ø 16)
	3			—	
71	2	—	All	—	(Ø 16)
	3			—	
80	2	—	All	—	(Ø 19)
90	2	—	All	—	(Ø 19)
	3			—	
100	2	—	All	—	(Ø 24)
112	2	—	All	—	(Ø 24)
	3			—	
125 132	2	—	All	—	(Ø 28)
150	2	—	All	—	(Ø 38)
170 190	2	—	19.7 ÷ 34.9	—	(Ø 48)



1.2 Designazione

1.2 Designation

1.2 Bezeichnung

13	IS - Albero Entrata IS - Input shaft IS - Antriebswelle	P_L_M			
-----------	---	-------	--	--	--

Possible couplings with IEC motors						
SIZE	NOR	CF	IR	IS		
25	3	—	All	80	19/200 (B5) - 19/120 (B14) 19/160 - 19/140 - 19/105 • - 19/90 •	
				71	14/160 (B5) - 14/105 (B14) 14/140 - 14/120 - 14/90•	
				63	11/140 (B5) - 11/90• (B14) 11/160 - 11/120 - 11/105	
25	4	—	All	63	11/140 (B5) - 11/90 (B14) 11/120 - 11/80•	
				56	9/120 (B5) - 9/80• (B14) 9/140 - 9/90	
45	3	—	All	112 ^(B)	28/250 (B5) - 28/160 (B14) 28/140	
				100 ^(B)	28/250 (B5) - 28/160 (B14) 28/140	
				90	24/200 (B5) - 24/140 (B14) - 24/250 - 24/160 - 24/120	
				80	19/200 (B5) - 19/120 (B14) - 19/160 - 19/140 - 19/105•	
45	4	—	All	71	14/160 (B5) - 14/105• (B14) - 14/200 - 14/140 - 14/120	
				80	19/200 (B5)	
65	3	—	All	71	14/160 (B5)	
				112	28/250• (B5) - 28/160• (B14)	
				100	28/250• (B5) - 28/160• (B14)	
				90	24/200• (B5) - 24/140• (B14) 24/160• - 24/120•	
				80	19/200• (B5) - 19/120• (B14) 19/160• - 19/140•	
85	3	—	All	71	14/160• (B5) 14/200• - 14/140• - 14/120•	
				63	11/140• (B5)	
				132	38/300• (B5) - 38/200• (B14) 38/250•	
				112	28/250• (B5) - 28/160• (B14) 28/200• - 28/300•	
				100	28/250• (B5) - 28/160• (B14) 28/200• - 28/300•	
				90	24/200• (B5) - 24/140• (B14) 24/300• - 24/250• - 24/160• - 24/120•	
95	3	—	All	80	19/200• (B5) - 19/120• (B14) 19/160• - 19/140•	
				71	14/160• (B5)	
				160	42/350• (B5) - 42/300• - 42/250•	
				132	38/300• (B5) - 38/350• - 38/250•	
				112	28/250• (B5) - 28/350• - 28/300•	
				100	28/250• (B5) - 28/350• - 28/300•	
105	3	—	All	90	24/200• (B5)	
				80	19/200• (B5)	
				160	42/350• (B5) - 42/300• - 42/250•	
				132	38/300• (B5) - 38/350• - 38/250•	
				112	28/250• (B5) - 28/350• - 28/300•	
				100	28/250• (B5) - 28/350• - 28/300•	
115	3	—	All	200 [*]	55/400 (B5)	
				180 [*]	48/350 (B5)	
				160 [*]	42/350 (B5)	
				132	38/300 (B5) - 38/200 (B14) - 38/250	
				112	28/250 (B5) - 28/200 - 28/300	
				100	28/250 (B5) - 28/200 - 28/300	
125	3	—	All	225 [*]	60/450 (B5)	
				200 [*]	55/400 (B5) - 55/450	
				180 [*]	48/350 (B5) - 48/450 - 48/400	
			> 57.2	> 57.2	160 [*]	42/350 (B5) - 42/450 - 42/400
					132	38/300 (B5) - 38/200 (B14) - 38/250
					112	28/250 (B5) - 28/200 - 28/300
135	3	—	All	100	28/250 (B5) - 28/200 - 28/300	
				250 [*]	65/550 (B5)	
				225 [*]	60/450 (B5)	
				200 [*]	55/400 (B5)	
				180 [*]	48/350 (B5)	
				160 [*]	42/350 (B5)	
132 [*]	38/300 (B5)					

^(B) WARNING!- Look at chapter 1.12-Section A;
 • See designation - " 16 - PMT "



1.2 Designazione

1.2 Designation

1.2 Bezeichnung

13	IS - Albero Entrata IS - Input shaft IS - Antriebswelle	P_L_M			
----	---	-------	--	--	--

* All PAM configurations supplied with ROTEX coupling. Where PAM configuration is marked with an asterisk, see directions (for mounting directions, see section A, paragraph "Installation" - 1.12)

Nella tab. sono riportate le grandezze motore accoppiabili (IEC) unitamente alle dimensioni albero/flangia motore standard

In table the possible shaft/flange dimensions IEC standard are listed.

In Tabelle sind die möglichen Welle/Flansch-Abmessungen IEC-Standard aufgelistet.

Legenda:
11/140 (B5): combinazioni albero/flangia standard
11/120 : combinazioni albero/flangia a richiesta

Key:
11/140 : standard shaft/flange combination
11/120 : shaft/flange combinations upon request

Legende:
11/140 : Standardkombinationen Welle/Flansch
11/120 : Sonderkombinationen Welle/Flansch



Posizione morsettiera - Vedere - 16 - PMT - Pagina E13
Terminal board position - Look - 16 - PMT - Page E13
Lage des Klemmenkastens - Siehe - 16 - PMT - Auf Seite E13

<p>Designazione motore elettrico Se è richiesto un motoriduttore completo di motore è necessario riportare la designazione di quest'ultimo. A tale proposito consultare il ns. catalogo dei motori elettrici Electronic Line.</p>	<p>Electric motor designation For applications requiring a gearmotor, motor designation must be specified. To this end, please refer to our Electronic Line electric motor catalogue.</p>	<p>Bezeichnung des Elektromotors Wird ein Getriebemotor komplett mit Elektromotor angefordert, müssen dessen Daten angegeben werden. Diesbezüglich verweisen wir auf unseren Katalog der Elektromotoren "Electronic Line".</p>
---	---	--



13	IS - Albero Entrata IS - Input shaft IS - Antriebswelle	P_L_R			
----	---	-------	--	--	--

— Nessuna indicazione = diametro standard; — No indications = standard diameter; — Keine Angabe = Standard-durchmesser

Possible solid input shafts					Shaft diameter
SIZE	NOR	CF	IR	IS	
65	3	—	All	—	(Ø 16)
85	3	—	All	—	(Ø 19)
95	3	—	All	—	(Ø 24)
105	3	—	All	—	(Ø 24)
115	3	—	All	—	(Ø 28)
125	3	—	All	—	(Ø 38)
135	3	—	All	—	(Ø 48)



1.2 Designazione

1.2 Designation

1.2 Bezeichnung

13	IS - Albero Entrata IS - Input shaft IS - Antriebswelle	P_E_M		
-----------	---	--------------	--	--

Possible couplings with IEC motors

SIZE	NOR	CF	IR	IS	
125 132 150	4	—	All	180	48/350 (B5)
				160	42/350 (B5)
				132	38/300 (B5)
				112	28/250 (B5)
				100	28/250 (B5)
				90	24/200 (B5)
				80	19/200 (B5)
				71	14/160 (B5)
63	11/140 (B5)				

170 190	4	—	All	180	48/350 (B5)
				160	42/350 (B5)
				132	38/300 (B5)
				112	28/250 (B5)
				100	28/250 (B5)
				90	24/200 (B5)
				80	19/200 (B5)
				71	14/160 (B5)
63	11/140 (B5)				

1-STANDARD

**Posizione morsetti - Vedere - 16 - PMT - Pagina E13****Terminal board position - Look - 16 - PMT - Page E13****Lage des Klemmenkastens - Siehe - 16 - PMT - Auf Seite E13**

Designazione motore elettrico Se è richiesto un motoriduttore completo di motore è necessario riportare la designazione di quest'ultimo. A tale proposito consultare il ns. catalogo dei motori elettrici Electronic Line.	<i>Electric motor designation</i> For applications requiring a gearmotor, motor designation must be specified. To this end, please refer to our Electronic Line electric motor catalogue.	Bezeichnung des Elektromotors Wird ein Getriebemotor komplett mit Elektromotor angefordert, müssen dessen Daten angegeben werden. Diesbezüglich verweisen wir auf unseren Katalog der Elektromotoren "Electronic Line".
---	--	--

13	IS - Albero Entrata IS - Input shaft IS - Antriebswelle	P_E_R		
-----------	---	--------------	--	--

— Nessuna indicazione = diametro standard; — No indications = standard diameter; — Keine Angabe = Standard-durchmesser standard;

Possible solid input shafts

SIZE	NOR	CF	IR	IS	Shaft diameter
125	4	—	All	—	(Ø 38)
132	4	—	All	—	(Ø 38)
150	4	—	All	—	(Ø 38)
170	4	—	All	—	(Ø 38)
190	4	—	All	—	(Ø 38)



1.2 Designazione

1.2 Designation

1.2 Bezeichnung

14 MP - Posizioni di montaggio

MP - Mounting positions

MP - Einbaulagen

[M2, M3, M4, M5, M6] Posizioni di montaggio con indicazione dei tappi di livello, carico e scarico; se non specificato si considera standard la posizione M1 (vedi par. 1.4)

[M2, M3, M4, M5, M6] Mounting position with indication of breather level and drain plugs; if not specified, standard position is M1 (see par. 1.4).

Montageposition [M2, M3, M4, M5, M6] mit Angabe von . Entlüftung, Schaugläsern und Ablassschraube. Wenn nicht näher spezifiziert, wird die Standard - position M1 zugrunde gelegt (s. Abschnitt 1.4).

15 OPT-ACC. - Opzioni

OPT-ACC. - Options

OPT-ACC. - Optionen

vedi par. 1.9 see pa. 1.9 s. Abschnitt 1.9	ACC1	AL	Alberi lenti - AL	Output shafts - AL	Abtriebswellen - AL
		PROT.	Coperchio di protezione	Protection cover	Schutzvorrichtungdeckel
		FF	FF - Kit	FF - Kit	FF - Kit
		RR	Kit rosetta di montaggio	Mounting washer kit	Kit Montagescheibe
	ACC3	AV	ANTIVIBRANTE VKL	RUBBER BUFFER VKL	GUMMIHÜLSE VKL
vedi Sezione A-1.12 see Section A-1.12 s. Abschnitt A-1.12	OPT.	OPT	Materiale degli anelli di tenuta	Materials of Seals	Dichtungsstoffe
		OPT1	Stato fornitura olio	Scope of the supply - Options - OIL	Optionen - Lieferzustand - Optionen - Öl
		OPT2	Verniciatura	Painting and surface protection	Lackierung und Oberflächenschutzl

16 PMT - Posizioni della Morsettiera

PMT - Position Terminal Box

PMT - Montagposition Klemmenkasten

[2, 3, 4, 5, 6, 7, 8] Posizione della morsettiera del motore se diversa da quella standard (1).

[2, 3, 4, 5, 6, 7, 8] Position of the motor terminal box if different from the standard one (1).

Montageposition Klemmenkasten [2, 3, 4, 5, 6, 7, 8], wenn abweichend von Standardposition [1] (für Motorgetriebe).

	1-2-3-4 1- STANDARD 	5-6-7-8 STANDARD 	NOTES
P_—			—
P_L			Sizes 25-45-115-125-135
	—		Sizes 65-85-95-105
P_E		—	—

Per le flange contrassegnate con il simbolo (*) (vedi pagina E10) i fori per il fissaggio al motore sono disposti in croce (esempio +). Pertanto è opportuno valutare l'ingombro della morsettiera del motore che verrà installato in quanto essa verrà a trovarsi orientata a 45° rispetto agli assi.

For the flanges marked with (*) (see page E10) the holes to fit the motor are on the axles (like a +). Therefore we suggest to check the dimensions of the terminal board of the motor as it will be at 45° to the axles.

Bei Flanschen, die mit (*) (Siehe auf Seite E10) gekennzeichnet sind, sind die Bohrungen auf den Achsen angeordnet (wie ein +). Es sollte deshalb der Platzbedarf des Motorklemmenkastens beachtet werden, da er sich in 45°-Position zu den Achsen befinden wird.



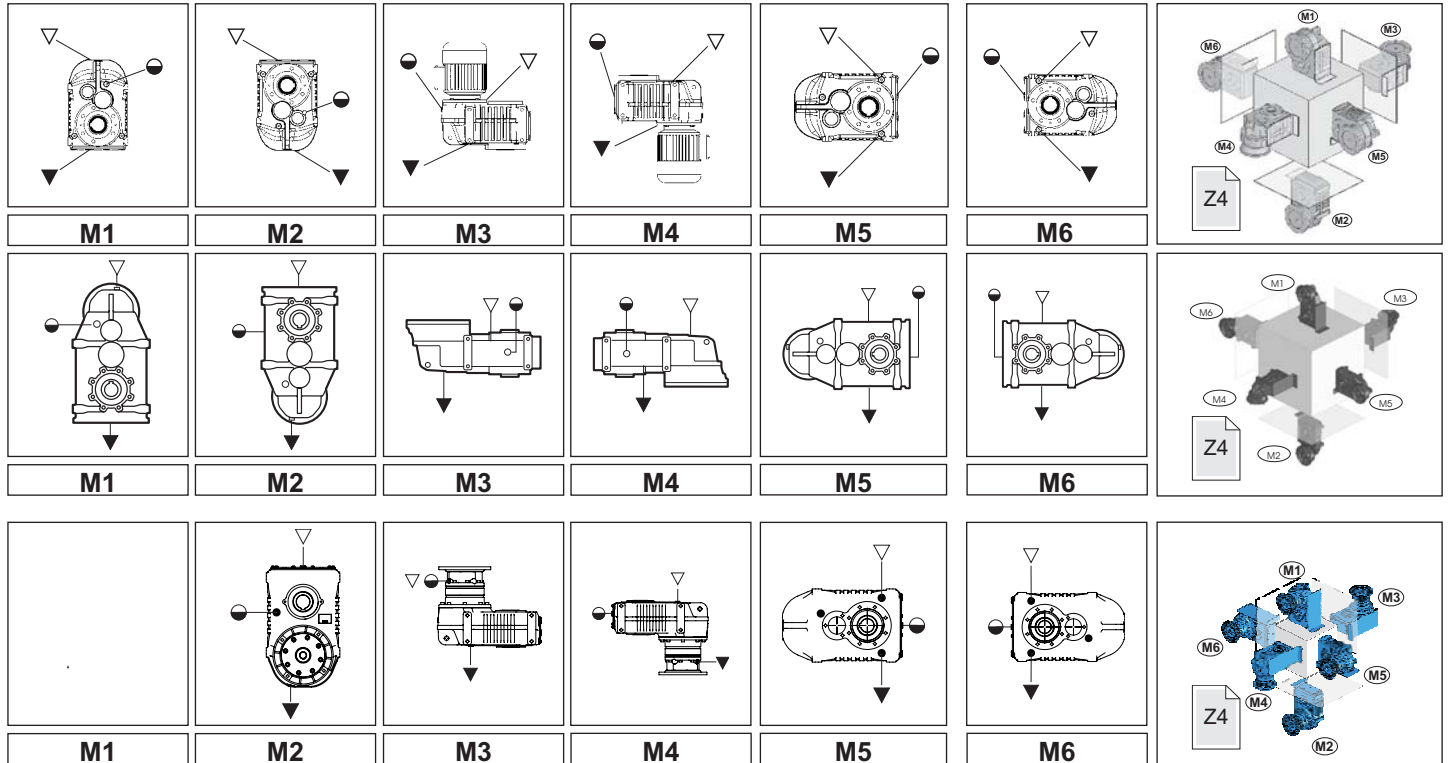
1.4 Lubrificazione

1.4 Lubrication


1.4 Schmierung





Posizioni di montaggio
Mounting positions
Montagepositionen



- ▽ Carico / Breather plug / Einfüll-u. Entlüftungsschraube
- Livello / Level plug / Schauglas
- ▼ Scarico / Drain plug / Abflaßschraube

Posizioni di montaggio - Mounting positions - Montagepositionen		
	Posizioni Positions Positionen	Prescrizioni da indicare in fase d'ordine Ordering requirements Anforderungen bei der Bestellung
	63 - 71 80 - 90 100 - 112 125 - 132 150 - 170 190	M1-M2 M3-M4 M5-M6 Necessaria Necessary Erforderlich

Posizioni di montaggio - Mounting positions - Montagepositionen		
	Posizioni Positions Positionen	Prescrizioni da indicare in fase d'ordine Ordering requirements Anforderungen bei der Bestellung
	25 - 45 65 - 85 95 - 105 115 - 125 135	M1-M2 M3-M4 M5-M6 Necessaria Necessary Erforderlich

Posizioni di montaggio - Mounting positions - Montagepositionen		
	Posizioni Positions Positionen	Prescrizioni da indicare in fase d'ordine Ordering requirements Anforderungen bei der Bestellung
	125 - 132 150 - 170 190	M1-M2 M3-M4 M5-M6 Necessaria Necessary Erforderlich

TARGHETTA - RIDUTTORE

NON NECESSARIA

Indicata sempre nella targhetta del riduttore la posizione di montaggio "M1".

NECESSARIA

La posizione richiesta è indicata nella targhetta del riduttore

Identification Plate - Gearbox

NOT NECESSARY

The mounting position is always indicated on the nameplate "M1".

NECESSARY

The indication it on the label of the gearbox

Typeschild - Getriebe

NICHT ERFORDERLICH

Die Einbaulage ist immer auf dem Typenschild angegeben "M1".

ERFORDERLICH

Findet man die angefragte Position auf dem Typenschild des Getriebe



1.4 Lubrificazione

1.4 Lubrication

1.4 Schmierung

Lub	Quantità di lubrificante - Lubricant Quantity - Schmiermittelmenge - [Kg]							OPT1	Tappi-Plug-Stopfen		
		M1	M2	M3	M4	M5	M6		N°	Diameter	Type
	63	1.250	0.900	1.300	1.150	0.900	0.900	INOIL_STD	1	1/4"	
	71	2.100	1.750	2.300	2.000	1.600	1.600		1	1/4"	
	80	1.800	1.900	1.800	2.250	1.430	1.430		1	1/4"	
	90	3.300	2.800	3.800	3.700	2.650	2.650	OUTOIL	7	1/4"	
	100	3.900	3.700	3.700	3.500	2.800	2.800		5	3/8"	
	112	7.300	7.100	8.000	7.000	6.000	6.000		7	1/4"	
	125	8.500	7.500	8.700	8.500	6.000	6.000		6	3/8"	
	132	11.100	8.500	10.300	9.100	7.400	7.400		5	1/2"	
	150	18.000	17.100	21.700	17.100	13.100	13.100		5	3/4"	
	170	23.500	24.500	22.000	24.500	18.500	18.500		5	3/4"	
	190	36.000	29.000	29.000	31.000	21.000	21.000		5	3/4"	

Lub	Quantità di lubrificante - Lubricant Quantity - Schmiermittelmenge - [Kg]							OPT1	Tappi-Plug-Stopfen		
		M1	M2	M3	M4	M5	M6		N°	Diameter	Type
	25	0.700	0.600	0.600	0.600	0.500	0.500	INOIL_STD	1	1/4"	
	45	1.300	0.900	1.300	1.300	1.200	1.200		1	1/4"	
	65	1.850	1.350	1.550	1.550	1.400	1.400		1	3/8"	
	85	3.700	2.400	3.150	2.900	2.300	2.300	OUTOIL	6	3/8"	
	95	6.100	4.550	5.250	4.550	3.550	3.550		6	3/8"	
	105	12.00	7.200	9.200	8.500	6.600	6.600		6	1/2"	
	115	20.00	12.50	15.30	13.30	11.00	11.00		6	1/2"	
	125	31.00	19.00	24.00	22.00	16.00	16.00		6	1/2"	
	135	41.00	30.00	30.00	32.70	20.00	20.00		6	1/2"	

Lub	Quantità di lubrificante - Lubricant Quantity - Schmiermittelmenge - [Kg]							OPT1	Tappi-Plug-Stopfen		
		M1	M2	M3	M4	M5	M6		N°	Diameter	Type
	125	9.200	9.100	13.300	10.200	6.700	6.700	OUTOIL	6	3/8"	
	132	11.600	10.000	16.100	10.600	8.100	8.100		7	1/2"	
	150	19.300	19.000	27.900	18.700	14.100	14.100		7	3/4"	
	170	22.700	26.200	37.800	26.000	18.900	18.900		7	3/4"	
	190	35.800	32.100	49.400	33.100	21.100	21.100		7	3/4"	

Quantità indicative; durante il riempimento attenersi alla spia di livello.
 Indicative quantities, check the oil sight glass during filling.

Richtungsweisende Mengen, bei der Auffüllung auf das Füllstand-Kontrollfenster Bezug nehmen.

Attenzione !: Il tappo di sfiato è allegato solo nei riduttori che hanno più di un tappo olio

Warning!: A breather plug is supplied only with worm gearboxes that have more than one oil plug

Achtung!: Der Entlüftungsstopfen ist lediglich bei den Getrieben vorhanden, die über mehr als einen Ölfüllstopfen verfügen

Nota: Se in fase d'ordine la posizione di montaggio è omessa, il riduttore verrà fornito con i tappi predisposti per la posizione M1.

Note: If the mounting position is not specified in the order, the worm gearbox supplied will have plugs pre-arranged for position M1.

Anmerkung: Sollte in der Auftragsphase die Einbaulage nicht angegeben werden, wird das Getriebe mit Stopfen für die Einbaulage M1.

Eventuali forniture con predisposizioni tappi diverse da quella indicata in tabella, dovranno essere concordate.

The supply of gearboxes with different plug pre-arrangements has to be agreed with the manufacturer.

Lieferungen, die eine Auslegung hinsichtlich der Stopfen aufweisen, die von den Angaben in der Tabelle abweichen, müssen vorab vereinbart werden..



1.5 Carichi radiali e assiali

Quando la trasmissione del moto avviene tramite meccanismi che generano carichi radiali sull'estremità dell'albero, è necessario verificare che i valori risultanti non eccedono quelli indicati nelle tabelle.

Nella Tab. 4.3 sono riportati i valori dei carichi radiali ammissibili per l'albero veloce (F_{r1}). Come carico assiale ammissibile contemporaneo si ha:

$$F_{a1} = 0.2 \times F_{r1}$$

1.5 Axial and overhung load

Should transmission movement determine radial loads on the angular shaft end, it is necessary to make sure that resulting values do not exceed the ones indicated in the tables.

In Table 4.3 permissible radial load for input shaft are listed (F_{r1}). Contemporary permissible axial load is given by the following formula:

$$F_{a1} = 0.2 \times F_{r1}$$

1.5 Radiale und axiale Belastungen

Wird das Wellenende auch durch Radialkräfte belastet, so muß sichergestellt werden, daß die resultierenden Werte die in der Tabelle angegebenen nicht überschreiten.

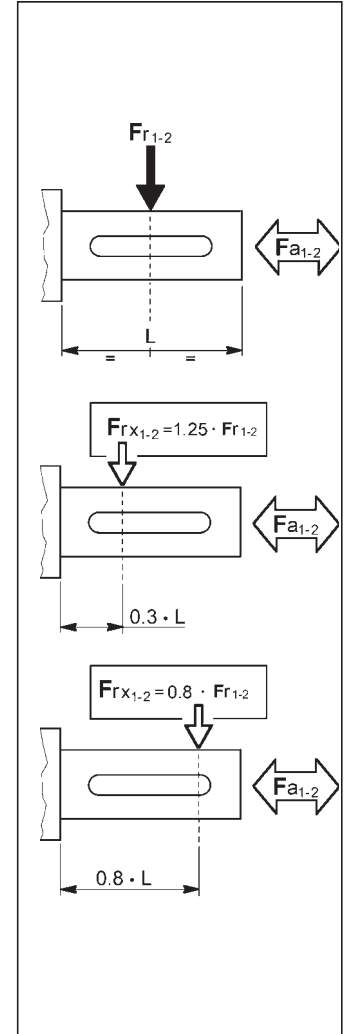
In Tabelle 4.3 sind die Werte der zulässigen Radialbelastungen für die Antriebswelle (F_{r1}) angegeben. Die Axialbelastung beträgt dann:

$$F_{a1} = 0.2 \times F_{r1}$$

Tab. 4.3		F_{r1} [N]														
SIZE		63		71		80	90		100	112		125	132	150	170	190
NOR		2	3	2	3	2	2	3	2	2	3	2	2	2	2	2
n_1 [min ⁻¹]	2800	200	550	600	600	520	600	1300	600	800	1400	1000	1000	1250	2800	2800
	1400	400	700	900	800	700	700	1500	800	1400	1800	1200	1200	1500	3000	3000
	900	400	800	1100	1000	800	800	1600	920	1500	2100	1300	1300	1600	3500	3500
	500	400	950	1300	1200	1100	900	1800	1300	1800	2600	1500	1500	1800	3800	3800

Tab. 4.3		F_{r1} [N]											
SIZE		25		45		65	85	95	105	115	125	135	
NOR		3	4	3	4	3	3	3	3	3	3	3	
n_1 [min ⁻¹]	2800	—					430	520	600	600	1000	1250	*
	1400	—					550	700	800	800	1200	1500	*
	900	—					600	800	920	920	1300	1600	*
	500	—					850	1100	1300	1300	1500	1800	*

Tab. 4.3		F_{r1} [N]				
SIZE		125	132	150	170	190
NOR		4	4	4	4	4
n_1 [min ⁻¹]	2800	900	900	900	4000	4000
	1400	1000	1000	1000	5000	5000
	900	1200	1200	1200	6000	6000
	500	1500	1500	1500	7000	7000



I carichi radiali indicati nelle tabelle si intendono applicati a metà della sporgenza dell'albero lento standard (vedi fig. 8.14) e sono riferiti ai riduttori operanti con fattore di servizio 1. Valori intermedi relativi a velocità non riportate possono essere ottenuti per interpolazione considerando però che F_{r1} a 500 min⁻¹ e F_{r2} a 5 min⁻¹ rappresentano i carichi massimi consentiti. Per i carichi non agenti sulla mezzeria dell'albero lento o veloce si ha:

- a 0.3 della sporgenza: $F_{rx} = 1.25 \times F_{r1-2}$
- a 0.8 dalla sporgenza: $F_{rx} = 0.8 \times F_{r1-2}$

The radial loads shown in the tables are applied on the middle of standard shaft extensions (see fig.8.14). Base of these values is a service factor 1. Values for speeds that are not listed can be obtained through interpolation but it must be considered that F_{r1} at 500 min⁻¹ and F_{r2} at 5 min⁻¹ represent the maximum allowable loads. For radial loads which are not applied on the middle of the shafts, the following values can be calculated:

- at 0.3 from extension: $F_{rx} = 1.25 \times F_{r1-2}$
- at 0.8 from extension: $F_{rx} = 0.8 \times F_{r1-2}$

Bei den in der Tabelle angegebenen Radialbelastungen wird eine Krafteinwirkung auf die Mitte der Standardwelle (s. A.8.14) angenommen; außerdem wird ein Betriebsfaktor 1 zugrunde gelegt. Zwischenwerte für nicht aufgeführte Drehzahlen können durch Interpolation ermittelt werden. Hierbei ist jedoch zu berücksichtigen, daß F_{r1} bei 500 min⁻¹ und für F_{r2max} bei 5 min⁻¹ die maximal zulässigen Belastungen repräsentieren.

- Ist die Einwirkung der Radialkraft nicht in der Mitte der Welle, so können die zulässigen Radiallasten folgendermaßen ermittelt werden:
- 0.3 vom Wellenabsatz entfernt: $F_{rx} = 1.25 \times F_{r1-2}$
- 0.8 vom Wellenabsatz entfernt: $F_{rx} = 0.8 \times F_{r1-2}$



1.5 Carichi radiali e assiali

1.5 Axial and overhung load

1.5 Radiale und axiale Belastungen

In Tab. 4.4 sono riportati i valori dei carichi radiali ammissibili per l'albero lento (F_{r2}). Come carico assiale ammissibile contemporaneo si ha:

$$F_{a2} = 0.2 \times F_{r2}$$

In Table 4.4 permissible radial loads for output shaft are listed (F_{r2}). Permissible axial load is given by the following formula:


$$F_{a2} = 0.2 \times F_{r2}$$

In Tabelle 4.4 sind die Werte der zulässigen Radialbelastungen für die Abtriebswelle (F_{r2}) angegeben. Als zulässige Axialbelastung gilt:

$$F_{a2} = 0.2 \times F_{r2}$$


Tab. 4.4

F_{r2} [N]

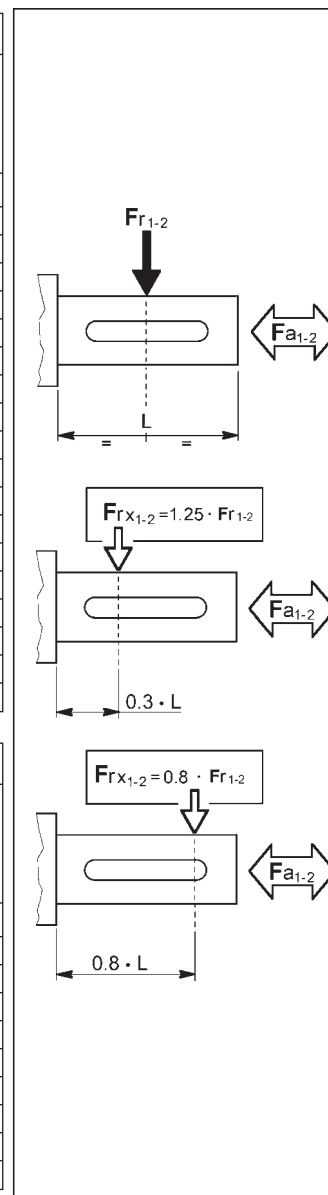


SIZE	63	71	80	90	100	112	125	132	150	170	190
n_2 [min ⁻¹]	1100	—	3000	—	6500	—	—	—	—	—	—
	950	1400	3050	—	7000	—	7600	—	—	—	—
	775	1450	3100	—	7200	—	7900	—	—	—	—
	625	1500	3230	4500	7600	7000	8300	—	—	—	—
	500	1580	3340	4800	7900	7500	8800	10000	12500	16500	18500
	400	1660	3450	5000	8300	8000	9200	10500	13000	17000	19000
	320	1720	3550	5500	8900	9000	9800	11200	13500	17500	19400
	260	1750	3600	6000	9000	10000	10400	12000	15500	19200	21100
	200	1800	4100	6000	9000	10000	10800	12500	16500	20500	23300
	160	1950	4300	6000	9000	10000	11400	13000	17500	22100	24800
	125	2200	4600	6000	9000	10000	12000	14000	19000	23500	27000
	90	2400	4900	6500	9000	10000	13000	16000	21000	25500	30600
	60	2600	5000	7100	9300	10600	13800	18000	23000	27500	34200
	40	2800	5000	7500	10000	11800	15300	20000	29000	34000	41000
	25	3100	6000	8000	11200	12500	16500	20000	32500	43000	57000
	16	3800	6600	8000	11500	12500	17000	20000	32500	43000	57000
10	4500	6600	8000	11500	12500	17400	20000	32500	43000	57000	
< 5	4500	6600	8000	11500	12500	17400	20000	32500	43000	57000	

F_{r2} [N]



SIZE	25	45	65	85	95	105	115	125	135
n_2 [min ⁻¹]	160	1300	3550	5775	8000	14000	17500	22100	24800
	125	1300	3750	6875	10000	16000	18000	22500	26000
	90	1800	4000	7000	10000	16000	19000	23500	27000
	60	1800	4500	7550	10600	18000	23000	27500	34200
	40	1800	5000	8400	11800	20000	29000	34000	41000
	25	2300	5000	8750	12500	20000	30000	40000	50000
	16	2300	5000	8750	12500	20000	32500	43000	57000
	10	2800	5000	8750	12500	20000	32500	43000	57000
	< 5	3000	5000	8750	12500	20000	32500	43000	57000



I carichi radiali indicati nelle tabelle si intendono applicati a metà della sporgenza dell'albero lento standard (vedi fig. 8.14) e sono riferiti ai riduttori operanti con fattore di servizio 1. Valori intermedi relativi a velocità non riportate possono essere ottenuti per interpolazione considerando però che F_{r1} a 500 min⁻¹ e F_{r2} a 5 min⁻¹ rappresentano i carichi massimi consentiti. Per i carichi non agenti sulla mezzeria dell'albero lento o veloce si ha:

The radial loads shown in the tables are applied on the middle of standard shaft extensions (see fig.8.14). Base of these values is a service factor 1. Values for speeds that are not listed can be obtained through interpolation but it must be considered that F_{r1} at 500 min⁻¹ and F_{r2} at 5 min⁻¹ represent the maximum allowable loads. For radial loads which are not applied on the middle of the shafts, the following values can be calculated:

Bei den in der Tabelle angegebenen Radialbelastungen wird eine Krafteinwirkung auf die Mitte der Standardwelle (s. A.8.14) angenommen; außerdem wird ein Betriebsfaktor 1 zugrunde gelegt. Zwischenwerte für nicht aufgeführte Drehzahlen können durch Interpolation ermittelt werden. Hierbei ist jedoch zu berücksichtigen, daß F_{r1} bei 500 min⁻¹ und für F_{r2max} bei 5 min⁻¹ die maximal zulässigen Belastungen repräsentieren.

a 0.3 della sporgenza:
 $F_{rx} = 1.25 \times F_{r1-2}$
 a 0.8 dalla sporgenza:
 $F_{rx} = 0.8 \times F_{r1-2}$

at 0.3 from extension:
 $F_{rx} = 1.25 \times F_{r1-2}$
 at 0.8 from extension:
 $F_{rx} = 0.8 \times F_{r1-2}$

Ist die Einwirkung der Radialkraft nicht in der Mitte der Welle, so können die zulässigen Radiallasten folgendermaßen ermittelt werden:
 0.3 vom Wellenabsatz entfernt:
 $F_{rx} = 1.25 \times F_{r1-2}$
 0.8 vom Wellenabsatz entfernt:
 $F_{rx} = 0.8 \times F_{r1-2}$





1.6 Prestazioni riduttori

1.6 gearboxes performances

1.6 Leistungen der Getriebe

PLR 25_3		100 Nm												Kg 4.6											
ir	$n_1 = 2800 \text{ min}^{-1}$				$n_1 = 1400 \text{ min}^{-1}$				$n_1 = 900 \text{ min}^{-1}$				$n_1 = 500 \text{ min}^{-1}$				IEC								
	n_2	T_{2M}	P	RD	n_2	T_{2M}	P	RD	n_2	T_{2M}	P	RD	n_2	T_{2M}	P	RD									
	min^{-1}	Nm	kW	%	min^{-1}	Nm	kW	%	min^{-1}	Nm	kW	%	min^{-1}	Nm	kW	%									
17,2	162,3	90	1,64	93	81,2	100	0,91	93	52,2	110	0,64	93	29,0	110	0,36	93	80 (B5-B14)								
20,4	137,5	90	1,39	93	68,8	100	0,77	93	44,2	110	0,54	93	24,6	110	0,30	93		71 (B5-B14)							
23,8	117,7	90	1,19	93	58,9	100	0,66	93	37,8	110	0,46	93	21,0	110	0,26	93			63 (B5-B14)						
27,4	102,2	90	1,04	93	51,1	100	0,58	93	32,8	110	0,40	93	18,2	110	0,23	93		E							
32,0	87,5	90	0,89	93	43,7	100	0,49	93	28,1	110	0,34	93	15,6	110	0,19	93				img alt="Gear icon"/>					
36,9	75,8	90	0,77	93	37,9	100	0,43	93	24,4	110	0,30	93	13,5	110	0,17	93			img alt="Gear icon"/>						
42,6	65,7	90	0,67	93	32,8	100	0,37	93	21,1	110	0,26	93	11,7	110	0,15	93					img alt="Gear icon"/>				
54,8	51,1	90	0,52	93	25,6	100	0,29	93	16,4	110	0,20	93	9,1	110	0,11	93		img alt="Gear icon"/>							
64,6	43,3	90	0,44	93	21,7	100	0,24	93	13,9	110	0,17	93	7,7	110	0,10	93						img alt="Gear icon"/>			
75,5	37,1	90	0,38	93	18,5	100	0,21	93	11,9	110	0,15	93	6,6	110	0,08	93				img alt="Gear icon"/>					
87,0	32,2	90	0,33	93	16,1	100	0,18	93	10,3	110	0,13	93	5,7	110	0,07	93							img alt="Gear icon"/>		
101,6	27,5	90	0,28	93	13,8	100	0,16	93	8,9	110	0,11	93	4,9	110	0,06	93			img alt="Gear icon"/>						
117,3	23,9	90	0,24	93	11,9	100	0,13	93	7,7	110	0,09	93	4,3	110	0,05	93								img alt="Gear icon"/>	
135,3	20,7	90	0,21	93	10,3	100	0,12	93	6,7	110	0,08	93	3,7	110	0,05	93					img alt="Gear icon"/>				
159,1	17,6	90	0,18	93	8,8	100	0,10	93	5,7	110	0,07	93	3,1	110	0,04	93									img alt="Gear icon"/>
187,8	14,9	90	0,15	93	7,5	100	0,08	93	4,8	110	0,06	93	2,7	110	0,03	93		img alt="Gear icon"/>							
213,9	13,1	90	0,13	93	6,5	100	0,07	93	4,2	110	0,05	93	2,3	110	0,03	93									
254,1	11,0	90	0,11	93	5,5	100	0,06	93	3,5	110	0,04	93	2,0	110	0,02	93	img alt="Gear icon"/>								

PLR 25_4		100 Nm												Kg 4.6											
ir	$n_1 = 2800 \text{ min}^{-1}$				$n_1 = 1400 \text{ min}^{-1}$				$n_1 = 900 \text{ min}^{-1}$				$n_1 = 500 \text{ min}^{-1}$				IEC								
	n_2	T_{2M}	P	RD	n_2	T_{2M}	P	RD	n_2	T_{2M}	P	RD	n_2	T_{2M}	P	RD									
	min^{-1}	Nm	kW	%	min^{-1}	Nm	kW	%	min^{-1}	Nm	kW	%	min^{-1}	Nm	kW	%									
280,1	10,0	90	0,10	91	5,0	100	0,06	91	3,2	110	0,04	91	1,8	110	0,02	91	63 (B5-B14)								
327,1	8,6	90	0,09	91	4,3	100	0,05	91	2,8	110	0,03	91	1,5	110	0,02	91		56 (B5-B14)							
377,0	7,4	90	0,08	91	3,7	100	0,04	91	2,4	110	0,03	91	1,3	110	0,02	91			img alt="Gear icon"/>						
440,4	6,4	90	0,07	91	3,2	100	0,04	91	2,0	110	0,03	91	1,1	110	0,01	91				img alt="Gear icon"/>					
508,2	5,5	90	0,06	91	2,8	100	0,03	91	1,8	110	0,02	91	1,0	110	0,01	91					img alt="Gear icon"/>				
586,4	4,8	90	0,05	91	2,4	100	0,03	91	1,5	110	0,02	91	0,85	110	0,01	91						img alt="Gear icon"/>			
689,4	4,1	90	0,04	91	2,0	100	0,02	91	1,3	110	0,02	91	0,73	110	0,01	91							img alt="Gear icon"/>		
813,8	3,4	90	0,04	91	1,7	100	0,02	91	1,1	110	0,01	91	0,61	110	0,01	91								img alt="Gear icon"/>	
927,0	3,0	90	0,03	91	1,5	100	0,02	91	1,0	110	0,01	91	0,54	110	0,01	91									img alt="Gear icon"/>
1101	2,5	90	0,03	91	1,3	100	0,01	91	0,82	110	0,01	91	0,45	110	0,01	91									

Pt _N [kW]	tutti i rapporti all ratios alle Untersetzungen
	4.0



1.6 Prestazioni riduttori

1.6 gearboxes performances

1.6 Leistungen der Getriebe

PR 63_2		250 Nm												IEC				
		$n_1 = 2800 \text{ min}^{-1}$				$n_1 = 1400 \text{ min}^{-1}$				$n_1 = 900 \text{ min}^{-1}$					$n_1 = 500 \text{ min}^{-1}$			
		n_2 min ⁻¹	T_{2M} Nm	P kW	RD %	n_2 min ⁻¹	T_{2M} Nm	P kW	RD %	n_2 min ⁻¹	T_{2M} Nm	P kW	RD %		n_2 min ⁻¹	T_{2M} Nm	P kW	RD %
3.0		935.6	77	7.9	95	467.8	80	4.1	95	300.7	85	2.8	95	167.1	88	1.6	95	112 B5 112 B14
3.9		719.9	90	7.1	95	360.0	110	4.4	95	231.4	115	2.9	95	128.6	120	1.7	95	
4.3		645.0	95	6.8	95	322.5	130	4.6	95	207.3	135	3.1	95	115.2	140	1.8	95	
5.0		557.0	110	6.8	95	278.5	140	4.3	95	179.0	150	3.0	95	99.5	155	1.7	95	
5.6		499.0	125	6.9	95	249.5	160	4.4	95	160.4	170	3.0	95	89.1	180	1.8	95	
6.2		452.2	130	6.5	95	226.1	160	4.0	95	145.3	175	2.8	95	80.7	180	1.6	95	
6.5		431.2	135	6.4	95	215.6	170	4.0	95	138.6	185	2.8	95	77.0	195	1.7	95	
7.4		379.1	140	5.9	95	189.6	180	3.8	95	121.9	190	2.6	95	67.7	200	1.5	95	
8.0		347.9	150	5.8	95	174.0	200	3.8	95	111.8	215	2.7	95	62.1	230	1.6	95	
9.0		311.7	165	5.7	95	155.9	210	3.6	95	100.2	230	2.5	95	55.7	250	1.5	95	
10.4		269.4	180	5.3	95	134.7	220	3.3	95	86.6	240	2.3	95	48.1	255	1.4	95	
11.8		236.9	190	5.0	95	118.4	235	3.1	95	76.1	255	2.1	95	42.3	255	1.2	95	
13.5		206.9	205	4.7	95	103.4	250	2.9	95	66.5	255	1.9	95	36.9	255	1.0	95	
14.4		194.8	190	4.1	95	97.4	220	2.4	95	62.5	230	1.6	95	34.8	240	0.9	95	
16.9		166.1	230	4.2	95	83.0	250	2.3	95	53.4	255	1.5	95	29.7	255	0.8	95	
19.8		141.3	230	3.6	95	70.7	250	1.9	95	45.4	255	1.3	95	25.2	255	0.7	95	
20.5		136.6	210	3.2	95	68.3	230	1.7	95	43.9	240	1.2	95	24.4	250	0.7	95	
24.1		116.2	210	2.7	95	58.1	230	1.5	95	37.3	245	1.0	95	20.7	250	0.6	95	
26.1		107.3	220	2.6	95	53.6	240	1.4	95	34.5	250	1.0	95	19.2	255	0.5	95	
31.7		88.2	220	2.1	95	44.1	240	1.2	95	28.4	250	0.8	95	15.8	250	0.4	95	
36.6		76.6	225	1.9	95	38.3	250	1.1	95	24.6	250	0.7	95	13.7	250	0.4	95	
40.5		69.2	220	1.7	95	34.6	240	0.9	95	22.2	240	0.6	95	12.3	240	0.3	95	
45.2		62.0	220	1.5	95	31.0	240	0.8	95	19.9	240	0.5	95	11.1	240	0.3	95	

PR 63_3		250 Nm												IEC				
		$n_1 = 2800 \text{ min}^{-1}$				$n_1 = 1400 \text{ min}^{-1}$				$n_1 = 900 \text{ min}^{-1}$					$n_1 = 500 \text{ min}^{-1}$			
ir		n_2 min ⁻¹	T_{2M} Nm	P kW	RD %	n_2 min ⁻¹	T_{2M} Nm	P kW	RD %	n_2 min ⁻¹	T_{2M} Nm	P kW	RD %		n_2 min ⁻¹	T_{2M} Nm	P kW	RD %
43.4		64.6	220	1.6	93	32.3	250	0.9	93	20.7	250	0.6	93	11.5	250	0.3	93	80 B5 80 B14
47.0		59.6	200	1.3	93	29.8	250	0.8	93	19.2	255	0.6	93	10.6	255	0.3	93	
53.3		52.5	220	1.3	93	26.3	250	0.7	93	16.9	255	0.5	93	9.4	255	0.3	93	
57.2		48.9	230	1.3	93	24.5	250	0.7	93	15.7	255	0.5	93	8.7	255	0.3	93	
61.8		45.3	230	1.2	93	22.7	250	0.6	93	14.6	255	0.4	93	8.1	255	0.2	93	
69.6		40.2	240	1.1	93	20.1	250	0.6	93	12.9	250	0.4	93	7.2	250	0.2	93	
75.4		37.1	240	1.0	93	18.6	250	0.5	93	11.9	255	0.3	93	6.6	255	0.2	93	
81.4		34.4	240	0.9	93	17.2	250	0.5	93	11.1	255	0.3	93	6.1	255	0.2	93	
88.4		31.7	240	0.9	93	15.8	250	0.4	93	10.2	250	0.3	93	5.7	250	0.2	93	
98.9		28.3	240	0.8	93	14.2	250	0.4	93	9.1	250	0.3	93	5.1	250	0.1	93	
114.4		24.5	240	0.7	93	12.2	250	0.3	93	7.9	255	0.2	93	4.4	260	0.1	93	
135.4		20.7	240	0.6	93	10.3	250	0.3	93	6.6	255	0.2	93	3.7	260	0.1	93	
149.1		18.8	240	0.5	93	9.4	250	0.3	93	6.0	255	0.2	93	3.4	260	0.1	93	
164.7		17.0	240	0.5	93	8.5	250	0.2	93	5.5	250	0.2	93	3.0	260	0.1	93	
181.3		15.4	240	0.4	93	7.7	250	0.2	93	5.0	250	0.1	93	2.8	260	0.1	93	
216.9		12.9	240	0.3	93	6.5	250	0.2	93	4.2	255	0.1	93	2.3	260	0.1	93	

Pt _N [kW]	tutti i rapporti all ratios alle Untersetzungen
	5.6

N.B.
Per i riduttori evidenziati dal doppio bordo nella colonna delle potenze è necessario verificare lo scambio termico del riduttore (come indicato nel par. A-1.5). Per maggiori informazioni contattare l'ufficio tecnico STM.

NOTE.
Pay attention please to the frame around the input power value: for this gearboxes it's important to check the thermal capacity (comp. par. A-1.5). For details please contact our technical office.

HINWEIS.
Sind in den Tabellen Nennleistungen eingerahmt, so ist die thermische Leistungsgrenze der Getriebe zu beachten (s. par.A-1.5). Für weitere Informationen wenden Sie sich bitte an unser technisches Büro.

N.B.
I pesi riportati sono indicativi e possono variare in funzione della versione del riduttore.

NOTE.
Listed weights are for reference only and can vary according to the gearbox version.

HINWEIS.
Die angegebenen Gewichtsmaße sind Richtwerte und können je nach Getriebeversion variieren.

1.6 Prestazioni riduttori

1.6 gearboxes performances

1.6 Leistungen der Getriebe

PLR 45_3		250 Nm												Kg	12.1		
ir	$n_1 = 2800 \text{ min}^{-1}$				$n_1 = 1400 \text{ min}^{-1}$				$n_1 = 900 \text{ min}^{-1}$				$n_1 = 500 \text{ min}^{-1}$				IEC
	n_2 min ⁻¹	T_{2M} Nm	P kW	RD %	n_2 min ⁻¹	T_{2M} Nm	P kW	RD %	n_2 min ⁻¹	T_{2M} Nm	P kW	RD %	n_2 min ⁻¹	T_{2M} Nm	P kW	RD %	
28,7	97,7	225	2,5	93	48,8	250	1,4	93	31,4	270	0,96	93	17,4	270	0,53	93	112 (B5-B14) 100 (B5-B14) 90 (B5-B14) 80 (B5-B14) 71 (B5-B14)
32,0	87,5	225	2,2	93	43,8	250	1,2	93	28,1	270	0,86	93	15,6	270	0,48	93	
40,9	68,4	225	1,7	93	34,2	250	0,96	93	22,0	270	0,67	93	12,2	270	0,37	93	
45,7	61,3	225	1,6	93	30,7	250	0,86	93	19,7	270	0,60	93	11,0	270	0,33	93	
52,8	53,0	225	1,3	93	26,5	250	0,75	93	17,0	270	0,52	93	9,5	270	0,29	93	
60,1	46,6	225	1,2	93	23,3	250	0,66	93	15,0	270	0,46	93	8,3	270	0,25	93	
70,6	39,7	225	1,0	93	19,8	250	0,56	93	12,7	270	0,39	93	7,1	270	0,22	93	
85,7	32,7	225	0,83	93	16,3	250	0,46	93	10,5	270	0,32	93	5,8	270	0,18	93	
100,7	27,8	225	0,70	93	13,9	250	0,39	93	8,9	270	0,27	93	5,0	270	0,15	93	
107,1	26,1	225	0,66	93	13,1	250	0,37	93	8,4	270	0,26	93	4,7	270	0,14	93	
132,7	21,1	225	0,53	93	10,6	250	0,30	93	6,8	270	0,21	93	3,8	270	0,11	93	
152,9	18,3	225	0,46	93	9,2	250	0,26	93	5,9	270	0,18	93	3,3	270	0,10	93	
188,9	14,8	225	0,38	93	7,4	250	0,21	93	4,8	270	0,15	93	2,6	270	0,08	93	
232,0	12,1	225	0,31	93	6,0	250	0,17	93	3,9	270	0,12	93	2,2	270	0,07	93	

PLR 45_4		250 Nm												Kg	12.5		
ir	$n_1 = 2800 \text{ min}^{-1}$				$n_1 = 1400 \text{ min}^{-1}$				$n_1 = 900 \text{ min}^{-1}$				$n_1 = 500 \text{ min}^{-1}$				IEC
	n_2 min ⁻¹	T_{2M} Nm	P kW	RD %	n_2 min ⁻¹	T_{2M} Nm	P kW	RD %	n_2 min ⁻¹	T_{2M} Nm	P kW	RD %	n_2 min ⁻¹	T_{2M} Nm	P kW	RD %	
301,6	9,3	225	0,24	91	4,6	250	0,13	91	3,0	270	0,09	91	1,7	270	0,05	91	80 (B5) 71 (B5)
366,2	7,6	225	0,20	91	3,8	250	0,11	91	2,5	270	0,08	91	1,4	270	0,04	91	
430,4	6,5	225	0,17	91	3,3	250	0,09	91	2,1	270	0,07	91	1,2	270	0,04	91	
457,8	6,1	225	0,16	91	3,1	250	0,09	91	2,0	270	0,06	91	1,1	270	0,03	91	
566,8	4,9	225	0,13	91	2,5	250	0,07	91	1,6	270	0,05	91	0,88	270	0,03	91	
653,3	4,3	225	0,11	91	2,1	250	0,06	91	1,4	270	0,04	91	0,77	270	0,02	91	
807,0	3,5	225	0,09	91	1,7	250	0,05	91	1,1	270	0,03	91	0,62	270	0,02	91	
991,4	2,8	225	0,07	91	1,4	250	0,04	91	0,91	270	0,03	91	0,50	270	0,02	91	

Pt _N [kW]	tutti i rapporti all ratios alle Untersetzungen
	6.5



1.6 Prestazioni riduttori

1.6 gearboxes performances

1.6 Leistungen der Getriebe

PR 71_2		450 Nm												Kg	14.0		
ir	n ₁ = 2800 min ⁻¹				n ₁ = 1400 min ⁻¹				n ₁ = 900 min ⁻¹				n ₁ = 500 min ⁻¹				IEC
	n ₂ min ⁻¹	T _{2M} Nm	P kW	RD %	n ₂ min ⁻¹	T _{2M} Nm	P kW	RD %	n ₂ min ⁻¹	T _{2M} Nm	P kW	RD %	n ₂ min ⁻¹	T _{2M} Nm	P kW	RD %	
2.6	1078.5	120	14.3	95	539.3	130	7.7	95	346.7	130	5.0	95	192.6	130	2.8	95	112 B5 112 B14
3.2	880.4	140	13.6	95	440.2	150	7.3	95	283.0	150	4.7	95	157.2	150	2.6	95	
3.8	745.8	160	13.2	95	372.9	175	7.2	95	239.7	180	4.8	95	133.2	180	2.6	95	
4.3	650.3	180	12.9	95	325.2	200	7.2	95	209.0	210	4.8	95	116.1	210	2.7	95	
5.3	530.9	180	10.5	95	265.4	210	6.1	95	170.6	230	4.3	95	94.8	230	2.4	95	
6.2	449.7	230	11.4	95	224.8	260	6.4	95	144.5	300	4.8	95	80.3	300	2.7	95	
7.1	395.3	270	11.8	95	197.6	300	6.5	95	127.1	330	4.6	95	70.6	330	2.6	95	
8.7	322.7	280	10.0	95	161.3	310	5.5	95	103.7	350	4.0	95	57.6	350	2.2	95	
10.2	273.3	370	11.1	95	136.7	420	6.3	95	87.9	470	4.6	95	48.8	470	2.5	95	
11.6	242.0	380	10.1	95	121.0	430	5.7	95	77.8	480	4.1	95	43.2	480	2.3	95	
12.3	228.2	280	7.0	95	114.1	300	3.8	95	73.3	310	2.5	95	40.7	310	1.4	95	
14.0	199.5	400	8.8	95	99.8	450	4.9	95	64.1	480	3.4	95	35.6	480	1.9	95	
16.1	173.9	420	8.0	95	86.9	460	4.4	95	55.9	480	3.0	95	31.0	480	1.6	95	
17.3	161.7	420	7.5	95	80.9	460	4.1	95	52.0	480	2.8	95	28.9	480	1.5	95	
18.7	150.0	420	6.9	95	75.0	460	3.8	95	48.2	480	2.6	95	26.8	480	1.4	95	
20.2	138.7	420	6.4	95	69.3	460	3.5	95	44.6	480	2.4	95	24.8	480	1.3	95	
21.9	127.8	420	5.9	95	63.9	460	3.2	95	41.1	480	2.2	95	22.8	480	1.2	95	
25.3	110.9	360	4.4	95	55.4	410	2.5	95	35.6	410	1.6	95	19.8	410	0.9	95	
28.8	97.2	410	4.4	95	48.6	460	2.5	95	31.2	460	1.6	95	17.4	460	0.9	95	
33.1	84.7	370	3.5	95	42.4	410	1.9	95	27.2	410	1.2	95	15.1	410	0.7	95	
37.3	75.1	365	3.0	95	37.5	410	1.7	95	24.1	410	1.1	95	13.4	420	0.6	95	
44.7	62.6	400	2.8	95	31.3	460	1.6	95	20.1	460	1.0	95	11.2	480	0.6	95	
50.5	55.5	400	2.4	95	27.7	460	1.4	95	17.8	460	0.9	95	9.9	480	0.5	95	

PR 71_3		450 Nm												Kg	14.0		
ir	n ₁ = 2800 min ⁻¹				n ₁ = 1400 min ⁻¹				n ₁ = 900 min ⁻¹				n ₁ = 500 min ⁻¹				IEC
	n ₂ min ⁻¹	T _{2M} Nm	P kW	RD %	n ₂ min ⁻¹	T _{2M} Nm	P kW	RD %	n ₂ min ⁻¹	T _{2M} Nm	P kW	RD %	n ₂ min ⁻¹	T _{2M} Nm	P kW	RD %	
39.5	70.8	420	3.3	93	35.4	460	1.8	93	22.8	470	1.2	93	12.6	480	0.7	93	90 B5 90 B14
53.5	52.3	420	2.5	93	26.2	460	1.4	93	16.8	460	0.9	93	9.3	480	0.5	93	
60.8	46.0	420	2.2	93	23.0	460	1.2	93	14.8	460	0.8	93	8.2	480	0.4	93	
64.2	43.6	420	2.1	93	21.8	460	1.1	93	14.0	470	0.7	93	7.8	480	0.4	93	
75.4	37.2	420	1.8	93	18.6	460	1.0	93	11.9	470	0.6	93	6.6	480	0.4	93	
86.8	32.3	420	1.5	93	16.1	460	0.8	93	10.4	470	0.5	93	5.8	480	0.3	93	
91.5	30.6	420	1.4	93	15.3	460	0.8	93	9.8	470	0.5	93	5.5	480	0.3	93	
99.3	28.2	420	1.3	93	14.1	460	0.7	93	9.1	470	0.5	93	5.0	480	0.3	93	
107.5	26.0	420	1.2	93	13.0	460	0.7	93	8.4	470	0.4	93	4.6	480	0.3	93	
123.8	22.6	420	1.1	93	11.3	460	0.6	93	7.3	480	0.4	93	4.0	520	0.2	93	
134.3	20.9	420	1.0	93	10.4	460	0.5	93	6.7	490	0.4	93	3.7	520	0.2	93	
154.8	18.1	420	0.9	93	9.0	460	0.5	93	5.8	500	0.3	93	3.2	520	0.2	93	
163.2	17.2	420	0.8	93	8.6	460	0.4	93	5.5	470	0.3	93	3.1	480	0.2	93	
191.6	14.6	450	0.7	93	7.3	490	0.4	93	4.7	520	0.3	93	2.6	540	0.2	93	
220.8	12.7	450	0.6	93	6.3	500	0.4	93	4.1	520	0.2	93	2.3	540	0.1	93	

Pt _N [kW]	tutti i rapporti all ratios alle Untersetzungen
	7.5

N.B.
Per i riduttori evidenziati dal doppio bordo nella colonna delle potenze è necessario verificare lo scambio termico del riduttore (come indicato nel par. A-1.5). Per maggiori informazioni contattare l'ufficio tecnico STM.

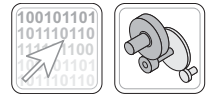
NOTE.
Pay attention please to the frame around the input power value: for this gearboxes it's important to check the thermal capacity (comp. par. A-1.5). For details please contact our technical office.

HINWEIS.
Sind in den Tabellen Nennleistungen eingerahmt, so ist die thermische Leistungsgrenze der Getriebe zu beachten (s. par.A-1.5). Für weitere Informationen wenden Sie sich bitte an unser technisches Büro.

N.B.
I pesi riportati sono indicativi e possono variare in funzione della versione del riduttore.

NOTE.
Listed weights are for reference only and can vary according to the gearbox version.

HINWEIS.
Die angegebenen Gewichtsmaße sind Richtwerte und können je nach Getriebeversion variieren.



1.6 Prestazioni riduttori

1.6 gearboxes performances

1.6 Leistungen der Getriebe

PR 80_2	600 Nm	Kg	16.0
----------------	---------------	-----------	-------------

ir	n ₁ = 2800 min ⁻¹				n ₁ = 1400 min ⁻¹				n ₁ = 900 min ⁻¹				n ₁ = 500 min ⁻¹				IEC
	n ₂ min ⁻¹	T _{2M} Nm	P kW	RD %	n ₂ min ⁻¹	T _{2M} Nm	P kW	RD %	n ₂ min ⁻¹	T _{2M} Nm	P kW	RD %	n ₂ min ⁻¹	T _{2M} Nm	P kW	RD %	
4,6	615,4	540	36,7	95,0	307,7	600	20,4	95,0	197,8	654	14,3	95,0	109,9	706	8,6	95,0	132 B5 132 B14
5,7	491,6	603	32,7	95,0	245,8	670	18,2	95,0	158,0	730	12,7	95,0	87,8	788	7,6	95,0	
6,7	419,0	612	28,3	95,0	209,5	680	15,7	95,0	134,7	740	11,0	95,0	74,8	800	6,6	95,0	
7,2	387,7	603	25,8	95,0	193,8	670	14,3	95,0	124,6	730	10,0	95,0	69,2	788	6,0	95,0	
8,4	334,8	612	22,6	95,0	167,4	680	12,5	95,0	107,6	740	8,8	95,0	59,8	800	5,3	95,0	
9,4	297,9	621	20,4	95,0	149,0	690	11,3	95,0	95,8	751	7,9	95,0	53,2	811	4,8	95,0	
10,0	279,0	594	18,3	95,0	139,5	660	10,1	95,0	89,7	719	7,1	95,0	49,8	776	4,3	95,0	
11,6	240,9	594	15,8	95,0	120,4	660	8,8	95,0	77,4	719	6,1	95,0	43,0	776	3,7	95,0	
13,7	203,7	675	15,2	95,0	101,9	750	8,4	95,0	65,5	817	5,9	95,0	36,4	882	3,5	95,0	
14,7	190,0	675	14,1	95,0	95,0	750	7,9	95,0	61,1	817	5,5	95,0	33,9	882	3,3	95,0	
17,1	164,0	765	13,8	95,0	82,0	850	7,7	95,0	52,7	926	5,4	95,0	29,3	1000	3,2	95,0	
18,5	151,7	810	13,5	95,0	75,9	900	7,5	95,0	48,8	980	5,3	95,0	27,1	1058	3,2	95,0	
19,5	143,7	540	8,6	95,0	71,8	600	4,8	95,0	46,2	653	3,3	95,0	25,7	706	2,0	95,0	
20,5	136,4	540	8,1	95,0	68,2	600	4,5	95,0	43,8	653	3,2	95,0	24,4	706	1,9	95,0	
21,5	130,5	540	7,8	95,0	65,2	600	4,3	95,0	41,9	653	3,0	95,0	23,3	706	1,8	95,0	
23,9	117,2	540	7,0	95,0	58,6	600	3,9	95,0	37,7	653	2,7	95,0	20,9	706	1,6	95,0	
26,3	106,5	540	6,3	95,0	53,2	600	3,5	95,0	34,2	653	2,5	95,0	19,0	706	1,5	95,0	
28,4	98,6	540	5,9	95,0	49,3	600	3,3	95,0	31,7	653	2,3	95,0	17,6	706	1,4	95,0	
30,2	92,9	540	5,5	95,0	46,4	600	3,1	95,0	29,8	653	2,1	95,0	16,6	706	1,3	95,0	
34,8	80,5	540	4,8	95,0	40,2	600	2,7	95,0	25,9	653	1,9	95,0	14,4	706	1,1	95,0	
38,0	73,8	540	4,4	95,0	36,9	600	2,4	95,0	23,7	653	1,7	95,0	13,2	706	1,0	95,0	
39,6	70,6	450	3,5	95,0	35,3	500	1,9	95,0	22,7	544	1,4	95,0	12,6	588	0,8	95,0	
42,3	66,3	450	3,3	95,0	33,1	500	1,8	95,0	21,3	544	1,3	95,0	11,8	588	0,8	95,0	
48,1	58,2	450	2,9	95,0	29,1	500	1,6	95,0	18,7	544	1,1	95,0	10,4	588	0,7	95,0	
50,9	55,0	315	1,9	95,0	27,5	350	1,1	95,0	17,7	381	0,7	95,0	9,8	412	0,4	95,0	
55,5	50,5	315	1,8	95,0	25,2	350	1,0	95,0	16,2	381	0,7	95,0	9,0	412	0,4	95,0	
61,8	45,3	315	1,6	95,0	22,7	350	0,9	95,0	14,6	381	0,6	95,0	8,1	412	0,4	95,0	

P_{tN} [kW]	tutti i rapporti all ratios alle Untersetzungen
	7.5

PLR 65_3	600 Nm	Kg	18
-----------------	---------------	-----------	-----------

ir	n ₁ = 2800 min ⁻¹				n ₁ = 1400 min ⁻¹				n ₁ = 900 min ⁻¹				n ₁ = 500 min ⁻¹				IEC
	n ₂ min ⁻¹	T _{2M} Nm	P kW	RD %	n ₂ min ⁻¹	T _{2M} Nm	P kW	RD %	n ₂ min ⁻¹	T _{2M} Nm	P kW	RD %	n ₂ min ⁻¹	T _{2M} Nm	P kW	RD %	
26,4	106,2	540	6,5	93	53,1	600	3,6	93	34,1	650	2,5	93	19,0	650	1,4	93	112 (B5-B14)
32,3	86,7	540	5,3	93	43,3	600	2,9	93	27,9	650	2,0	93	15,5	650	1,1	93	
37,6	74,5	540	4,5	93	37,3	600	2,5	93	24,0	650	1,8	93	13,3	650	1,0	93	
46,0	60,8	540	3,7	93	30,4	600	2,1	93	19,6	650	1,4	93	10,9	650	0,79	93	
54,3	51,5	540	3,1	93	25,8	600	1,7	93	16,6	650	1,2	93	9,2	650	0,67	93	
64,4	43,4	540	2,6	93	21,7	600	1,5	93	14,0	650	1,0	93	7,8	650	0,57	93	
74,4	37,6	540	2,3	93	18,8	600	1,3	93	12,1	650	0,89	93	6,7	650	0,49	93	
85,4	32,8	540	2,0	93	16,4	600	1,1	93	10,5	650	0,77	93	5,9	650	0,43	93	
99,0	28,3	540	1,7	93	14,1	600	0,96	93	9,1	650	0,67	93	5,0	650	0,37	93	
116,2	24,1	540	1,5	93	12,0	600	0,81	93	7,7	650	0,57	93	4,3	650	0,31	93	
138,8	20,2	540	1,2	93	10,1	600	0,68	93	6,5	650	0,48	93	3,6	650	0,26	93	
152,8	18,3	540	1,1	93	9,2	600	0,62	93	5,9	650	0,43	93	3,3	650	0,24	93	
175,4	16,0	540	1,0	93	8,0	600	0,54	93	5,1	650	0,38	93	2,9	650	0,21	93	
197,9	14,1	540	0,86	93	7,1	600	0,48	93	4,5	650	0,33	93	2,5	650	0,18	93	

P_{tN} [kW]	tutti i rapporti all ratios alle Untersetzungen
	8.0

N.B.
Per i riduttori evidenziati dal doppio bordo nella colonna delle potenze è necessario verificare lo scambio termico del riduttore (come indicato nel par. A-1.5). Per maggiori informazioni contattare l'ufficio tecnico STM.

NOTE.
Pay attention please to the frame around the input power value: for this gearboxes it's important to check the thermal capacity (comp. par. A-1.5). For details please contact our technical office.

HINWEIS.
Sind in den Tabellen Nennleistungen eingerahmt, so ist die thermische Leistungsgrenze der Getriebe zu beachten (s. par.A-1.5). Für weitere Informationen wenden Sie sich bitte an unser technisches Büro.

N.B.
I pesi riportati sono indicativi e possono variare in funzione della versione del riduttore.

NOTE.
Listed weights are for reference only and can vary according to the gearbox version.

HINWEIS.
Die angegebenen Gewichtsmaße sind Richtwerte und können je nach Getriebeversion variieren.



1.6 Prestazioni riduttori

1.6 gearboxes performances

1.6 Leistungen der Getriebe

PR 90_2		900 Nm												Kg	30		
ir	n ₁ = 2800 min ⁻¹				n ₁ = 1400 min ⁻¹				n ₁ = 900 min ⁻¹				n ₁ = 500 min ⁻¹				IEC
	n ₂ min ⁻¹	T _{2M} Nm	P kW	RD %	n ₂ min ⁻¹	T _{2M} Nm	P kW	RD %	n ₂ min ⁻¹	T _{2M} Nm	P kW	RD %	n ₂ min ⁻¹	T _{2M} Nm	P kW	RD %	
2.7	1025.6	270	30.5	95	512.8	330	18.7	95	329.7	330	12.0	95	183.2	330	6.7	95	132 B5 132 B14
4.2	662.1	390	28.5	95	331.0	480	17.5	95	212.8	480	11.3	95	118.2	480	6.3	95	
5.3	528.9	430	25.1	95	264.5	530	15.4	95	170.0	530	9.9	95	94.5	530	5.5	95	112 B5
5.9	470.7	450	23.3	95	235.3	560	14.5	95	151.3	560	9.3	95	84.1	560	5.2	95	
6.7	417.1	480	22.1	95	208.6	600	13.8	95	134.1	600	8.9	95	74.5	600	4.9	95	112 B14
7.8	361.0	520	20.7	95	180.5	650	12.9	95	116.0	700	9.0	95	64.5	720	5.1	95	
8.7	321.8	460	16.3	95	160.9	560	9.9	95	103.4	560	6.4	95	57.5	560	3.5	95	100 B5
9.3	300.2	460	15.2	95	150.1	560	9.3	95	96.5	560	6.0	95	53.6	560	3.3	95	
9.7	288.4	660	21.0	95	144.2	820	13.0	95	92.7	880	9.0	95	51.5	900	5.1	95	100 B14
10.9	256.7	700	19.8	95	128.3	860	12.2	95	82.5	920	8.4	95	45.8	920	4.6	95	
12.3	227.4	740	18.6	95	113.7	910	11.4	95	73.1	920	7.4	95	40.6	940	4.2	95	90 B5
14.0	200.5	740	16.4	95	100.2	910	10.1	95	64.4	920	6.5	95	35.8	940	3.7	95	
16.0	175.5	740	14.3	95	87.7	910	8.8	95	56.4	920	5.7	95	31.3	940	3.2	95	90 B14
17.1	163.7	740	13.4	95	81.8	910	8.2	95	52.6	920	5.3	95	29.2	940	3.0	95	
19.8	141.3	740	11.5	95	70.7	910	7.1	95	45.4	920	4.6	95	25.2	940	2.6	95	80 B5
21.4	130.7	740	10.7	95	65.4	910	6.6	95	42.0	920	4.3	95	23.3	940	2.4	95	
25.0	112.2	740	9.1	95	56.1	910	5.6	95	36.1	920	3.7	95	20.0	940	2.1	95	80B14
27.7	101.0	740	8.2	95	50.5	910	5.1	95	32.5	920	3.3	95	18.0	940	1.9	95	
30.5	91.7	740	7.5	95	45.9	910	4.6	95	29.5	920	3.0	95	16.4	940	1.7	95	80B14
35.0	80.0	700	6.2	95	40.0	850	3.7	95	25.7	890	2.5	95	14.3	920	1.4	95	
40.4	69.3	585	4.5	95	34.7	720	2.8	95	22.3	760	1.9	95	12.4	820	1.1	95	80B14
44.1	63.5	700	4.9	95	31.8	860	3.0	95	20.4	950	2.1	95	11.3	1000	1.4	95	
50.9	55.0	700	4.2	95	27.5	860	2.6	95	17.7	950	1.9	95	9.8	1000	1.1	95	

PR 90_3		900 Nm												Kg	30		
ir	n ₁ = 2800 min ⁻¹				n ₁ = 1400 min ⁻¹				n ₁ = 900 min ⁻¹				n ₁ = 500 min ⁻¹				IEC
	n ₂ min ⁻¹	T _{2M} Nm	P kW	RD %	n ₂ min ⁻¹	T _{2M} Nm	P kW	RD %	n ₂ min ⁻¹	T _{2M} Nm	P kW	RD %	n ₂ min ⁻¹	T _{2M} Nm	P kW	RD %	
38.7	72.3	700	5.7	93	36.2	910	3.7	93	23.2	945	2.5	93	12.9	945	1.4	93	100 B5 100 B14
43.7	64.0	750	5.4	93	32.0	910	3.3	93	20.6	945	2.2	93	11.4	945	1.2	93	
48.8	57.4	750	4.8	93	28.7	910	2.9	93	18.4	945	2.0	93	10.2	945	1.1	93	90 B5 90 B14
55.2	50.7	720	4.1	93	25.4	910	2.6	93	16.3	945	1.7	93	9.1	945	1.0	93	
62.3	44.9	750	3.8	93	22.5	910	2.3	93	14.4	945	1.5	93	8.0	945	0.9	93	80 B5 80 B14
70.6	39.7	800	3.6	93	19.8	910	2.0	93	12.8	945	1.4	93	7.1	945	0.8	93	
76.3	36.7	800	3.3	93	18.3	910	1.9	93	11.8	945	1.3	93	6.6	945	0.7	93	71 B5
82.8	33.8	800	3.0	93	16.9	910	1.7	93	10.9	945	1.2	93	6.0	945	0.6	93	
93.3	30.0	800	2.7	93	15.0	910	1.5	93	9.6	945	1.0	93	5.4	945	0.6	93	71 B5
100.6	27.8	800	2.5	93	13.9	910	1.4	93	8.9	945	1.0	93	5.0	945	0.5	93	
108.9	25.7	910	2.6	93	12.9	910	1.3	93	8.3	945	0.9	93	4.6	945	0.5	93	71 B5
125.0	22.4	910	2.3	93	11.2	910	1.1	93	7.2	945	0.8	93	4.0	945	0.4	93	
141.0	19.9	910	2.0	93	9.9	910	1.0	93	6.4	945	0.7	93	3.5	945	0.4	93	71 B5
155.2	18.0	910	1.8	93	9.0	910	0.9	93	5.8	945	0.6	93	3.2	945	0.3	93	
178.1	15.7	910	1.6	93	7.9	910	0.8	93	5.1	945	0.5	93	2.8	945	0.3	93	71 B5
201.0	13.9	910	1.4	93	7.0	910	0.7	93	4.5	945	0.5	93	2.5	945	0.3	93	
224.4	12.5	910	1.3	93	6.2	910	0.6	93	4.0	945	0.4	93	2.2	945	0.2	93	71 B5
253.2	11.1	910	1.1	93	5.5	910	0.6	93	3.6	945	0.4	93	2.0	945	0.2	93	

Pt _N [kW]	tutti i rapporti all ratios alle Untersetzungen
	10.5

N.B.
Per i riduttori evidenziati dal doppio bordo nella colonna delle potenze è necessario verificare lo scambio termico del riduttore (come indicato nel par. A-1.5). Per maggiori informazioni contattare l'ufficio tecnico STM.

NOTE.
Pay attention please to the frame around the input power value: for this gearboxes it's important to check the thermal capacity (comp. par. A-1.5). For details please contact our technical office.

HINWEIS.
Sind in den Tabellen Nennleistungen eingerahmt, so ist die thermische Leistungsgrenze der Getriebe zu beachten (s. par.A-1.5). Für weitere Informationen wenden Sie sich bitte an unser technisches Büro.

N.B.
I pesi riportati sono indicativi e possono variare in funzione della versione del riduttore.

NOTE.
Listed weights are for reference only and can vary according to the gearbox version.

HINWEIS.
Die angegebenen Gewichtsmaße sind Richtwerte und können je nach Getriebeversion variieren.



1.6 Prestazioni riduttori

1.6 gearboxes performances

1.6 Leistungen der Getriebe

PR 100_2		1200 Nm				Kg				45.00				IEC						
ir	n ₁ = 2800 min ⁻¹				n ₁ = 1400 min ⁻¹				n ₁ = 900 min ⁻¹				n ₁ = 500 min ⁻¹							
	n ₂ min ⁻¹	T _{2M} Nm	P kW	RD %	n ₂ min ⁻¹	T _{2M} Nm	P kW	RD %	n ₂ min ⁻¹	T _{2M} Nm	P kW	RD %	n ₂ min ⁻¹	T _{2M} Nm	P kW	RD %	n ₂ min ⁻¹	T _{2M} Nm	P kW	RD %
3,1	913,0	810	81,5	95,0	456,5	900	45,3	95,0	293,5	980	31,7	95,0	163,0	980	17,6	95,0				
3,6	785,4	810	70,1	95,0	392,7	900	39,0	95,0	252,5	980	27,3	95,0	140,3	980	15,1	95,0				
4,7	594,1	810	53,0	95,0	297,0	900	29,5	95,0	191,0	980	20,6	95,0	106,1	980	11,5	95,0				
5,3	533,0	810	47,6	95,0	266,5	900	26,4	95,0	171,3	980	18,5	95,0	95,2	980	10,3	95,0				
6,1	462,5	810	41,3	95,0	231,3	900	22,9	95,0	148,7	980	16,1	95,0	82,6	980	8,9	95,0				
7,0	397,9	810	35,5	95,0	198,9	900	19,7	95,0	127,9	980	13,8	95,0	71,0	980	7,7	95,0				
8,2	343,3	900	34,1	95,0	171,7	1000	18,9	95,0	110,3	1089	13,2	95,0	61,3	1089	7,4	95,0				
9,3	300,9	990	32,8	95,0	150,5	1100	18,2	95,0	96,7	1198	12,8	95,0	53,7	1198	7,1	95,0				
10,4	270,0	1080	32,1	95,0	135,0	1200	17,9	95,0	86,8	1307	12,5	95,0	48,2	1307	6,9	95,0				180 B5
12,1	231,6	1080	27,6	95,0	115,8	1200	15,3	95,0	74,4	1307	10,7	95,0	41,4	1307	6,0	95,0				
13,7	205,1	1080	24,4	95,0	102,5	1200	13,6	95,0	65,9	1307	9,5	95,0	36,6	1307	5,3	95,0				160 B5
14,8	189,3	1080	22,5	95,0	94,7	1200	12,5	95,0	60,9	1307	8,8	95,0	33,8	1307	4,9	95,0				
16,9	165,9	1080	19,7	95,0	82,9	1200	11,0	95,0	53,3	1307	7,7	95,0	29,6	1307	4,3	95,0				132 B5
18,1	154,7	1080	18,4	95,0	77,3	1200	10,2	95,0	49,7	1307	7,2	95,0	27,6	1307	4,0	95,0				
21,0	133,5	1080	15,9	95,0	66,7	1200	8,8	95,0	42,9	1307	6,2	95,0	23,8	1307	3,4	95,0				112 B5
24,4	114,9	1080	13,7	95,0	57,5	1200	7,6	95,0	36,9	1307	5,3	95,0	20,5	1307	3,0	95,0				100 B5
27,0	103,6	1080	12,3	95,0	51,8	1200	6,9	95,0	33,3	1307	4,8	95,0	18,5	1307	2,7	95,0				
29,7	94,3	1080	11,2	95,0	47,1	1200	6,2	95,0	30,3	1307	4,4	95,0	16,8	1307	2,4	95,0				
31,3	89,4	1080	10,6	95,0	44,7	1200	5,9	95,0	28,7	1307	4,1	95,0	16,0	1307	2,3	95,0				
34,4	81,4	1080	9,7	95,0	40,7	1200	5,4	95,0	26,2	1307	3,8	95,0	14,5	1307	2,1	95,0				
37,7	74,3	990	8,1	95,0	37,2	1100	4,5	95,0	23,9	1198	3,2	95,0	13,3	1198	1,8	95,0				
43,4	64,5	900	6,4	95,0	32,2	1000	3,6	95,0	20,7	1089	2,5	95,0	11,5	1089	1,4	95,0				
47,5	58,9	900	5,8	95,0	29,5	1000	3,2	95,0	18,9	1089	2,3	95,0	10,5	1089	1,3	95,0				
54,8	51,1	900	5,1	95,0	25,5	1000	2,8	95,0	16,4	1089	2,0	95,0	9,1	1089	1,1	95,0				
61,8*	45,3	900	4,5	95,0	22,7	1000	2,5	95,0	14,6	1089	1,7	95,0	8,1	1089	1,0	95,0				

P _{TN} [kW]	tutti i rapporti / all ratios / alle Untersetzungen
	15.0

PLR 85_3		1200 Nm				Kg				37				IEC						
ir	n ₁ = 2800 min ⁻¹				n ₁ = 1400 min ⁻¹				n ₁ = 900 min ⁻¹				n ₁ = 500 min ⁻¹							
	n ₂ min ⁻¹	T _{2M} Nm	P kW	RD %	n ₂ min ⁻¹	T _{2M} Nm	P kW	RD %	n ₂ min ⁻¹	T _{2M} Nm	P kW	RD %	n ₂ min ⁻¹	T _{2M} Nm	P kW	RD %	n ₂ min ⁻¹	T _{2M} Nm	P kW	RD %
23,8	117,9	720	9,6	93	58,9	800	5,3	93	37,9	850	3,7	93	21,0	850	2,0	93				
27,5	101,7	855	9,8	93	50,8	950	5,4	93	32,7	1000	3,8	93	18,2	1000	2,0	93				
34,5	81,2	990	9,1	93	40,6	1100	5,0	93	26,1	1150	3,5	93	14,5	1150	1,9	93				132 (B5-B14)
38,7	72,3	1080	8,8	93	36,1	1200	4,9	93	23,2	1300	3,4	93	12,9	1300	1,9	93				
43,7	64,1	1080	7,8	93	32,0	1200	4,3	93	20,6	1300	3,0	93	11,4	1300	1,7	93				
56,3	49,7	1080	6,0	93	24,9	1200	3,4	93	16,0	1300	2,4	93	8,9	1300	1,3	93				112 (B5-B14)
63,9	43,8	1080	5,3	93	21,9	1200	3,0	93	14,1	1300	2,1	93	7,8	1300	1,1	93				
74,0	37,8	1080	4,6	93	18,9	1200	2,6	93	12,2	1300	1,8	93	6,8	1300	1,0	93				100 (B5-B14)
84,9	33,0	1080	4,0	93	16,5	1200	2,2	93	10,6	1300	1,6	93	5,9	1300	0,86	93				
98,0	28,6	1080	3,5	93	14,3	1200	1,9	93	9,2	1300	1,4	93	5,1	1300	0,75	93				
113,5	24,7	1080	3,0	93	12,3	1200	1,7	93	7,9	1300	1,2	93	4,4	1300	0,64	93				90 (B5-B14)
136,8	20,5	1080	2,5	93	10,2	1200	1,4	93	6,6	1300	0,97	93	3,7	1300	0,54	93				
160,0	17,5	1080	2,1	93	8,7	1200	1,2	93	5,6	1300	0,83	93	3,1	1300	0,46	93				
184,6	15,2	1080	1,8	93	7,6	1200	1,0	93	4,9	1300	0,72	93	2,7	1300	0,40	93				80 (B5-B14)
204,1	13,7	1080	1,7	93	6,9	1200	0,93	93	4,4	1300	0,65	93	2,4	1300	0,36	93				
214,0	13,1	1080	1,6	93	6,5	1200	0,88	93	4,2	1300	0,62	93	2,3	1300	0,34	93				
234,0	12,0	1080	1,5	93	6,0	1200	0,81	93	3,8	1300	0,57	93	2,1	1300	0,31	93				71 B5
270,0	10,4	1080	1,3	93	5,2	1200	0,70	93	3,3	1300	0,49	93	1,9	1300	0,27	93				

P _{TN} [kW]	tutti i rapporti / all ratios / alle Untersetzungen
	11.0

* Nei rapporti contrassegnati non è disponibile la versione uscita con albero cavo "ø 50".

* Hollow output shaft "ø 50" not available for ratios marked with this symbol.

* Bei den gekennzeichneten Übersetzungsverhältnissen ist die Version "Abtrieb mit Hohlwelle" "ø 50" nicht verfügbar.

N.B.
Per i riduttori evidenziati dal doppio bordo nella colonna delle potenze è necessario verificare lo scambio termico del riduttore (come indicato nel par. A-1.5). Per maggiori informazioni contattare l'ufficio tecnico STM.

NOTE.
Pay attention please to the frame around the input power value: for this gearboxes it's important to check the thermal capacity (comp. par. A-1.5). For details please contact our technical office.

HINWEIS.
Sind in den Tabellen Nennleistungen eingerahmt, so ist die thermische Leistungsgrenze der Getriebe zu beachten (s. par.A-1.5). Für weitere Informationen wenden Sie sich bitte an unser technisches Büro.

N.B.
I pesi riportati sono indicativi e possono variare in funzione della versione del riduttore.

NOTE.
Listed weights are for reference only and can vary according to the gearbox version.

HINWEIS.
Die angegebenen Gewichtsmaße sind Richtwerte und können je nach Getriebeversion variieren.



1.6 Prestazioni riduttori

1.6 gearboxes performances

1.6 Leistungen der Getriebe

PR 112_2

1750 Nm



59

Table with 4 main columns for input speeds n1 = 2800, 1400, 900, and 500 min-1. Each column contains sub-columns for n2, T2M, P, and RD. A final column shows IEC ratings (180 B5, 160 B5, 132 B5, 112 B5, 100 B5).

PR 112_3

1750 Nm



59

Table with 4 main columns for input speeds n1 = 2800, 1400, 900, and 500 min-1. Each column contains sub-columns for n2, T2M, P, and RD. A final column shows IEC ratings (112 B5, 100 B5, 90 B5, 80 B5).

PtN [kW] tutti i rapporti all ratios alle Untersetzungen 16.5

N.B. Per i riduttori evidenziati dal doppio bordo nella colonna delle potenze è necessario verificare lo scambio termico del riduttore...

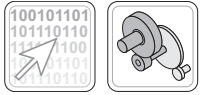
NOTE. Pay attention please to the frame around the input power value: for this gearboxes it's important to check the thermal capacity...

HINWEIS. Sind in den Tabellen Nennleistungen eingerahmt, so ist die thermische Leistungsgrenze der Getriebe zu beachten...

N.B. I pesi riportati sono indicativi e possono variare in funzione della versione del riduttore.

NOTE. Listed weights are for reference only and can vary according to the gearbox version.

HINWEIS. Die angegebenen Gewichtsmaße sind Richtwerte und können je nach Getriebeversion variieren.



E



Blank page



1.6 Prestazioni riduttori

1.6 gearboxes performances

1.6 Leistungen der Getriebe

PR 125_2

2200 Nm



105

Table with 15 columns: ir, n1=2800 min-1 (n2, T2M, P, RD), n1=1400 min-1 (n2, T2M, P, RD), n1=900 min-1 (n2, T2M, P, RD), n1=500 min-1 (n2, T2M, P, RD), and IEC. Rows include gear ratios from 5,4 to 57,5.

Summary table for PR 125_2: PtN [kW] vs. tutti i rapporti all ratios alle Untersetzungen 21.0

PLR 95_3

2400 Nm



55

Table with 15 columns: ir, n1=2800 min-1 (n2, T2M, P, RD), n1=1400 min-1 (n2, T2M, P, RD), n1=900 min-1 (n2, T2M, P, RD), n1=500 min-1 (n2, T2M, P, RD), and IEC. Rows include gear ratios from 23,6 to 266,2.

Summary table for PLR 95_3: PtN [kW] vs. tutti i rapporti all ratios alle Untersetzungen 16.0

N.B. Per i riduttori evidenziati dal doppio bordo nella colonna delle potenze è necessario verificare lo scambio termico del riduttore...

NOTE. Pay attention please to the frame around the input power value: for this gearboxes it's important to check the thermal capacity...

HINWEIS. Sind in den Tabellen Nennleistungen eingerahmt, so ist die thermische Leistungsgrenze der Getriebe zu beachten...

N.B. I pesi riportati sono indicativi e possono variare in funzione della versione del riduttore.

NOTE. Listed weights are for reference only and can vary according to the gearbox version.

HINWEIS. Die angegeben Gewichtsmaße sind Richtwerte und können je nach Getriebeversion variieren.

1.6 Prestazioni riduttori

1.6 gearboxes performances

1.6 Leistungen der Getriebe

PER 125_4		3500 Nm				Kg				90				IEC			
ir	n ₁ = 2800 min ⁻¹				n ₁ = 1400 min ⁻¹				n ₁ = 900 min ⁻¹				n ₁ = 500 min ⁻¹				
	n ₂ min ⁻¹	T _{2M} Nm	P kW	RD %	n ₂ min ⁻¹	T _{2M} Nm	P kW	RD %	n ₂ min ⁻¹	T _{2M} Nm	P kW	RD %	n ₂ min ⁻¹		T _{2M} Nm	P kW	RD %
151,5	18,5	3200,0	6,9	90,0	9,2	3500,0	3,8	90,0	5,9	3500,0	2,4	90,0	3,3	3500,0	1,3	90,0	180 B5 160 B5 132 B5 112 B5 100 B5 90 B5 80 B5 71 B5 63 B5
185,6	15,1	3200,0	5,6	90,0	7,5	3500,0	3,1	90,0	4,8	3500,0	2,0	90,0	2,7	3500,0	1,1	90,0	
227,3	12,3	3200,0	4,6	90,0	6,2	3500,0	2,5	90,0	4,0	3500,0	1,6	90,0	2,2	3500,0	0,9	90,0	
251,2	11,1	3200,0	4,2	90,0	5,6	3500,0	2,3	90,0	3,6	3500,0	1,5	90,0	2,0	3500,0	0,8	90,0	
273,5	10,2	3000,0	3,6	90,0	5,1	3200,0	1,9	90,0	3,3	3200,0	1,2	90,0	1,8	3200,0	0,7	90,0	
307,7	9,1	3200,0	3,4	90,0	4,5	3500,0	1,9	90,0	2,9	3500,0	1,2	90,0	1,6	3500,0	0,7	90,0	
350,3	8,0	2500,0	2,3	90,0	4,0	2700,0	1,3	90,0	2,6	2700,0	0,8	90,0	1,4	2700,0	0,4	90,0	
383,9	7,3	3200,0	2,7	90,0	3,6	3500,0	1,5	90,0	2,3	3500,0	1,0	90,0	1,3	3500,0	0,5	90,0	
416,3	6,7	3200,0	2,5	90,0	3,4	3500,0	1,4	90,0	2,2	3500,0	0,9	90,0	1,2	3500,0	0,5	90,0	
461,9	6,1	3200,0	2,3	90,0	3,0	3500,0	1,2	90,0	1,9	3500,0	0,8	90,0	1,1	3500,0	0,4	90,0	
519,6	5,4	3200,0	2,0	90,0	2,7	3500,0	1,1	90,0	1,7	3500,0	0,7	90,0	1,0	3500,0	0,4	90,0	
580,5	4,8	2700,0	1,5	90,0	2,4	2900,0	0,8	90,0	1,6	2900,0	0,5	90,0	0,9	2900,0	0,3	90,0	
625,2	4,5	3200,0	1,7	90,0	2,2	3500,0	0,9	90,0	1,4	3500,0	0,6	90,0	0,8	3500,0	0,3	90,0	
648,4	4,3	3200,0	1,6	90,0	2,2	3500,0	0,9	90,0	1,4	3500,0	0,6	90,0	0,8	3500,0	0,3	90,0	
724,6	3,9	2800,0	1,3	90,0	1,9	3000,0	0,7	90,0	1,2	3000,0	0,4	90,0	0,7	3000,0	0,2	90,0	
780,3	3,6	3200,0	1,3	90,0	1,8	3500,0	0,7	90,0	1,2	3500,0	0,5	90,0	0,6	3500,0	0,3	90,0	
904,3	3,1	3000,0	1,1	90,0	1,5	3200,0	0,6	90,0	1,0	3200,0	0,4	90,0	0,6	3200,0	0,2	90,0	
1175	2,4	2500,0	0,7	90,0	1,2	2700,0	0,4	90,0	0,8	2700,0	0,2	90,0	0,4	2700,0	0,1	90,0	

Pt _N [kW]	tutti i rapporti all ratios alle Untersetzungen
	10.5

N.B.
Per i riduttori evidenziati dal doppio bordo nella colonna delle potenze è necessario verificare lo scambio termico del riduttore (come indicato nel par. A-1.5). Per maggiori informazioni

NOTE.
Pay attention please to the frame around the input power value: for this gearboxes it's important to check the thermal capacity (comp. par. A-1.5). For details please contact our

HINWEIS.
Sind in den Tabellen Nennleistungen eingerahmt, so ist die thermische Leistungsgrenze der Getriebe zu beachten (s. par.A-1.5).

N.B.
I pesi riportati sono indicativi e possono variare in funzione della versione del riduttore.

NOTE.
Listed weights are for reference only and can vary according to the gearbox version.

HINWEIS.
Die angegeben Gewichtsmaße sind Richtwerte und können je nach Getriebeversion variieren.



1.6 Prestazioni riduttori

1.6 gearboxes performances

1.6 Leistungen der Getriebe

PR 132_2

3500 Nm



120

Table with 15 columns: ir, n1=2800 min-1 (n2, T2M, P, RD), n1=1400 min-1 (n2, T2M, P, RD), n1=900 min-1 (n2, T2M, P, RD), n1=500 min-1 (n2, T2M, P, RD), and IEC. Rows include gear ratios from 5.7 to 40.9.

Summary table for PR 132_2: PtN [kW] vs. tutti i rapporti all ratios alle Untersetzungen 30.0

PLR 105_3

3500 Nm



102

Table with 15 columns: ir, n1=2800 min-1 (n2, T2M, P, RD), n1=1400 min-1 (n2, T2M, P, RD), n1=900 min-1 (n2, T2M, P, RD), n1=500 min-1 (n2, T2M, P, RD), and IEC. Rows include gear ratios from 20.6 to 185.2.

Summary table for PLR 105_3: PtN [kW] vs. tutti i rapporti all ratios alle Untersetzungen 22.0

N.B. Per i riduttori evidenziati dal doppio bordo nella colonna delle potenze è necessario verificare lo scambio termico del riduttore...

NOTE. Pay attention please to the frame around the input power value: for this gearbox it's important to check the thermal capacity...

HINWEIS. Sind in den Tabellen Nennleistungen eingerahmt, so ist die thermische Leistungsgrenze der Getriebe zu beachten...

N.B. I pesi riportati sono indicativi e possono variare in funzione della versione del riduttore.

NOTE. Listed weights are for reference only and can vary according to the gearbox version.

HINWEIS. Die angegebenen Gewichtsmaße sind Richtwerte und können je nach Getriebeversion variieren.

1.6 Prestazioni riduttori

1.6 gearboxes performances

1.6 Leistungen der Getriebe

PER 132_4		4000 Nm												Kg 120			
ir	n ₁ = 2800 min ⁻¹				n ₁ = 1400 min ⁻¹				n ₁ = 900 min ⁻¹				n ₁ = 500 min ⁻¹				IEC
	n ₂ min ⁻¹	T _{2M} Nm	P kW	RD %	n ₂ min ⁻¹	T _{2M} Nm	P kW	RD %	n ₂ min ⁻¹	T _{2M} Nm	P kW	RD %	n ₂ min ⁻¹	T _{2M} Nm	P kW	RD %	
158,6	17,7	3500	7,2	90	8,8	4000	4,1	90	5,7	4000	2,6	90	3,2	4000	1,5	90	180 B5 160 B5 132 B5 112 B5 100 B5 90 B5 80 B5 71 B5 63 B5
173,5	16,1	3500	6,6	90	8,1	4000	3,8	90	5,2	4000	2,4	90	2,9	4000	1,3	90	
191,0	14,7	3500	6,0	90	7,3	4000	3,4	90	4,7	4000	2,2	90	2,6	4000	1,2	90	
212,6	13,2	3500	5,4	90	6,6	4000	3,1	90	4,2	4000	2,0	90	2,4	4000	1,1	90	
234,0	12,0	3500	4,9	90	6,0	4000	2,8	90	3,8	4000	1,8	90	2,1	4000	1,0	90	
260,3	10,8	3500	4,4	90	5,4	4000	2,5	90	3,5	4000	1,6	90	1,9	4000	0,9	90	
286,5	9,8	3500	4,0	90	4,9	4000	2,3	90	3,1	4000	1,5	90	1,7	4000	0,8	90	
316,6	8,8	3500	3,6	90	4,4	4000	2,1	90	2,8	4000	1,3	90	1,6	4000	0,7	90	
352,5	7,9	3500	3,2	90	4,0	4000	1,8	90	2,6	4000	1,2	90	1,4	4000	0,7	90	
387,9	7,2	3500	2,9	90	3,6	4000	1,7	90	2,3	4000	1,1	90	1,3	4000	0,6	90	
439,7	6,4	3500	2,6	90	3,2	4000	1,5	90	2,0	4000	1,0	90	1,1	4000	0,5	90	
483,9	5,8	3500	2,4	90	2,9	4000	1,3	90	1,9	4000	0,9	90	1,0	4000	0,5	90	
524,8	5,3	3500	2,2	90	2,7	4000	1,2	90	1,7	4000	0,8	90	1,0	4000	0,4	90	
543,9	5,1	3500	2,1	90	2,6	4000	1,2	90	1,7	4000	0,8	90	0,9	4000	0,4	90	
595,2	4,7	3500	1,9	90	2,4	4000	1,1	90	1,5	4000	0,7	90	0,8	4000	0,4	90	
655,0	4,3	3500	1,7	90	2,1	4000	1,0	90	1,4	4000	0,6	90	0,8	4000	0,4	90	
742,8	3,8	3500	1,5	90	1,9	4000	0,9	90	1,2	4000	0,6	90	0,7	4000	0,3	90	
817,4	3,4	3500	1,4	90	1,7	4000	0,8	90	1,1	4000	0,5	90	0,6	4000	0,3	90	
905,7	3,1	3500	1,3	90	1,5	4000	0,7	90	1,0	4000	0,5	90	0,6	4000	0,3	90	

Pt _N [kW]	tutti i rapporti all ratios alle Untersetzungen
	12.0

N.B.
Per i riduttori evidenziati dal doppio bordo nella colonna delle potenze è necessario verificare lo scambio termico del riduttore (come indicato nel par. A-1.5). Per maggiori informazioni

NOTE.
Pay attention please to the frame around the input power value: for this gearboxes it's important to check the thermal capacity (comp. par. A-1.5). For details please contact our

HINWEIS.
Sind in den Tabellen Nennleistungen eingerahmt, so ist die thermische Leistungsgrenze der Getriebe zu beachten (s. par.A-1.5).

N.B.
I pesi riportati sono indicativi e possono variare in funzione della versione del riduttore.

NOTE.
Listed weights are for reference only and can vary according to the gearbox version.

HINWEIS.
Die angegeben Gewichtsmaße sind Richtwerte und können je nach Getriebeversion variieren.



1.6 Prestazioni riduttori

1.6 gearboxes performances

1.6 Leistungen der Getriebe

PR 150_2

5000 Nm



185.0

Table with 4 main columns for input speeds (n1 = 2800, 1400, 900, 500 min-1) and 4 sub-columns for n2, T2M, P, RD. Includes IEC ratings on the right.

Summary row for PR 150_2: PtN [kW] tutti i rapporti / all ratios / alle Untersetzungen 38.0

PLR 115_3

5000 Nm



153

Table with 4 main columns for input speeds (n1 = 2800, 1400, 900, 500 min-1) and 4 sub-columns for n2, T2M, P, RD. Includes IEC ratings on the right.

Summary row for PLR 115_3: PtN [kW] tutti i rapporti / all ratios / alle Untersetzungen 26.0

N.B. Per i riduttori evidenziati dal doppio bordo nella colonna delle potenze è necessario verificare lo scambio termico del riduttore...

NOTE. Pay attention please to the frame around the input power value: for this gearboxes it's important to check the thermal capacity (comp. par. A-1.5). For details please contact our technical office.

HINWEIS. Sind in den Tabellen Nennleistungen eingerahmt, so ist die thermische Leistungsgrenze der Getriebe zu beachten (s. par.A-1.5). Für weitere Informationen wenden Sie sich bitte an unser technisches Büro.

N.B. I pesi riportati sono indicativi e possono variare in funzione della versione del riduttore.

NOTE. Listed weights are for reference only and can vary according to the gearbox version.

HINWEIS. Die angegebenen Gewichtsmaße sind Richtwerte und können je nach Getriebeversion variieren.

1.6 Prestazioni riduttori

1.6 gearboxes performances

1.6 Leistungen der Getriebe

PER 150_4 **6000 Nm** **Kg** 185.0

ir	n ₁ = 2800 min ⁻¹				n ₁ = 1400 min ⁻¹				n ₁ = 900 min ⁻¹				n ₁ = 500 min ⁻¹				IEC	
	n ₂ min ⁻¹	T _{2M} Nm	P kW	RD %	n ₂ min ⁻¹	T _{2M} Nm	P kW	RD %	n ₂ min ⁻¹	T _{2M} Nm	P kW	RD %	n ₂ min ⁻¹	T _{2M} Nm	P kW	RD %		
216,6	12,9	5400	8,1	90	6,5	6000	4,5	90	4,2	6000	2,9	90	2,3	6000	1,6	90	180 B5	
265,4	10,5	5400	6,6	90	5,3	6000	3,5	90	3,4	6000	2,4	90	1,9	6000	1,3	90		160 B5
280,9	10,0	5400	6,3	90	5,0	6000	3,3	90	3,2	6000	2,2	90	1,8	6000	1,2	90		
310,5	9,0	5400	5,7	90	4,5	6000	3,0	90	2,9	6000	2,0	90	1,6	6000	1,1	90		112 B5
325,0	8,6	5400	5,4	90	4,3	6000	2,8	90	2,8	6000	1,9	90	1,5	6000	1,1	90		
359,2	7,8	5400	4,9	90	3,9	6000	2,6	90	2,5	6000	1,7	90	1,4	6000	1,0	90		90 B5
380,8	7,4	5400	4,6	90	3,7	6000	2,4	90	2,4	6000	1,6	90	1,3	6000	0,9	90		
420,9	6,7	5400	4,2	90	3,3	6000	2,2	90	2,1	6000	1,5	90	1,2	6000	0,8	90		71 B5
458,3	6,1	5400	3,8	90	3,1	6000	2,0	90	2,0	6000	1,4	90	1,1	6000	0,8	90		
501,5	5,6	5400	3,5	90	2,8	6000	1,8	90	1,8	6000	1,3	90	1,0	6000	0,7	90		
548,9	5,1	5400	3,2	90	2,6	6000	1,7	90	1,6	6000	1,1	90	0,9	6000	0,6	90		
595,3	4,7	5400	3,0	90	2,4	6000	1,6	90	1,5	6000	1,1	90	0,8	6000	0,6	90		
643,2	4,4	5400	2,7	90	2,2	6000	1,4	90	1,4	6000	1,0	90	0,8	6000	0,5	90		
697,5	4,0	5400	2,5	90	2,0	6000	1,3	90	1,3	6000	0,9	90	0,7	6000	0,5	90		
743,0	3,8	5400	2,4	90	1,9	6000	1,2	90	1,2	6000	0,8	90	0,7	6000	0,5	90		
766,5	3,7	5400	2,3	90	1,8	6000	1,2	90	1,2	6000	0,8	90	0,7	6000	0,5	90		
831,2	3,4	5400	2,1	90	1,7	6000	1,1	90	1,1	6000	0,8	90	0,6	6000	0,4	90		
870,6	3,2	5400	2,0	90	1,6	6000	1,1	90	1,0	6000	0,7	90	0,6	6000	0,4	90		
948,1	3,0	5400	1,9	90	1,5	6000	1,0	90	0,9	6000	0,7	90	0,5	6000	0,4	90		
1037,5	2,7	5400	1,7	90	1,3	6000	0,9	90	0,9	6000	0,6	90	0,5	6000	0,3	90		
1183,2	2,4	5400	1,5	90	1,2	6000	0,8	90	0,8	6000	0,5	90	0,4	6000	0,3	90		
1294,8	2,2	5400	1,4	90	1,1	6000	0,7	90	0,7	6000	0,5	90	0,4	6000	0,3	90		
1424,9	2,0	5400	1,2	90	1,0	6000	0,6	90	0,6	6000	0,4	90	0,4	6000	0,2	90		
1578,8	1,8	5400	1,1	90	0,9	6000	0,6	90	0,6	6000	0,4	90	0,3	6000	0,2	90		

Pt _N [kW]	tutti i rapporti all ratios alle Untersetzungen
	16.0

N.B.
Per i riduttori evidenziati dal doppio bordo nella colonna delle potenze è necessario verificare lo scambio termico del riduttore (come indicato nel par. A-1.5). Per maggiori informazioni

NOTE.
Pay attention please to the frame around the input power value: for this gearboxes it's important to check the thermal capacity (comp. par. A-1.5). For details please contact our

HINWEIS.
Sind in den Tabellen Nennleistungen eingerahmt, so ist die thermische Leistungsgrenze der Getriebe zu beachten (s. par.A-1.5).

N.B.
I pesi riportati sono indicativi e possono variare in funzione della versione del riduttore.

NOTE.
Listed weights are for reference only and can vary according to the gearbox version.

HINWEIS.
Die angegeben Gewichtsmaße sind Richtwerte und können je nach Getriebeversion variieren.



1.6 Prestazioni riduttori

1.6 gearboxes performances

1.6 Leistungen der Getriebe

PR 170_2

7500 Nm



250.0

Table with 4 main columns for input speeds n1 = 2800, 1400, 900, and 500 min^-1. Each column contains sub-columns for n2, T2M, P, and RD. A final column shows IEC CF and VB-VN values.

Summary row for PtN [kW] showing 'tutti i rapporti / all ratios / alle Untersetzungen' with a value of 56.0.

PLR 125_3

7500 Nm



267

Table with 4 main columns for input speeds n1 = 2800, 1400, 900, and 500 min^-1. Each column contains sub-columns for n2, T2M, P, and RD. A final column shows IEC values.

Summary row for PtN [kW] showing 'tutti i rapporti / all ratios / alle Untersetzungen' with a value of 33.0.

N.B. Per i riduttori evidenziati dal doppio bordo nella colonna delle potenze è necessario verificare lo scambio termico del riduttore...

NOTE. Pay attention please to the frame around the input power value: for this gearboxes it's important to check the thermal capacity...

HINWEIS. Sind in den Tabellen Nennleistungen eingerahmt, so ist die thermische Leistungsgrenze der Getriebe zu beachten...

N.B. I pesi riportati sono indicativi e possono variare in funzione della versione del riduttore.

NOTE. Listed weights are for reference only and can vary according to the gearbox version.

HINWEIS. Die angegebenen Gewichtsmaße sind Richtwerte und können je nach Getriebeversion variieren.

1.6 Prestazioni riduttori

1.6 gearboxes performances

1.6 Leistungen der Getriebe

PER 170_4

9000 Nm



250

ir	n ₁ = 2800 min ⁻¹				n ₁ = 1400 min ⁻¹				n ₁ = 900 min ⁻¹				n ₁ = 500 min ⁻¹				IEC																		
	n ₂ min ⁻¹	T _{2M} Nm	P kW	RD %	n ₂ min ⁻¹	T _{2M} Nm	P kW	RD %	n ₂ min ⁻¹	T _{2M} Nm	P kW	RD %	n ₂ min ⁻¹	T _{2M} Nm	P kW	RD %																			
215,0	13,0	8100	12,3	90,0	6,5	9000	6,8	90,0	4,2	9000	4,4	90,0	2,3	9000	2,4	90,0	180 B5																		
246,9	11,3	8100	10,7	90,0	5,7	9000	5,9	90,0	3,6	9000	3,8	90,0	2,0	9000	2,1	90,0		160 B5																	
268,8	10,4	8100	9,8	90,0	5,2	9000	5,5	90,0	3,3	9000	3,5	90,0	1,9	9000	1,9	90,0			132 B5																
302,0	9,3	8100	8,7	90,0	4,6	9000	4,9	90,0	3,0	9000	3,1	90,0	1,7	9000	1,7	90,0				112 B5															
330,6	8,5	8100	8,0	90,0	4,2	9000	4,4	90,0	2,7	9000	2,9	90,0	1,5	9000	1,6	90,0					100 B5														
357,1	7,8	8100	7,4	90,0	3,9	9000	4,1	90,0	2,5	9000	2,6	90,0	1,4	9000	1,5	90,0						90 B5													
377,5	7,4	8100	7,0	90,0	3,7	9000	3,9	90,0	2,4	9000	2,5	90,0	1,3	9000	1,4	90,0							80 B5												
409,3	6,8	8100	6,4	90,0	3,4	9000	3,6	90,0	2,2	9000	2,3	90,0	1,2	9000	1,3	90,0								71 B5											
445,6	6,3	8100	5,9	90,0	3,1	9000	3,3	90,0	2,0	9000	2,1	90,0	1,1	9000	1,2	90,0									63 B5										
483,2	5,8	8100	5,5	90,0	2,9	9000	3,0	90,0	1,9	9000	2,0	90,0	1,0	9000	1,1	90,0																			
520,0	5,4	8100	5,1	90,0	2,7	9000	2,8	90,0	1,7	9000	1,8	90,0	1,0	9000	1,0	90,0																			
559,2	5,0	8100	4,7	90,0	2,5	9000	2,6	90,0	1,6	9000	1,7	90,0	0,9	9000	0,9	90,0																			
606,4	4,6	8100	4,4	90,0	2,3	9000	2,4	90,0	1,5	9000	1,6	90,0	0,8	9000	0,9	90,0																			
649,0	4,3	8100	4,1	90,0	2,2	9000	2,3	90,0	1,4	9000	1,5	90,0	0,8	9000	0,8	90,0																			
697,8	4,0	8100	3,8	90,0	2,0	9000	2,1	90,0	1,3	9000	1,4	90,0	0,7	9000	0,8	90,0																			
756,8	3,7	8100	3,5	90,0	1,8	9000	1,9	90,0	1,2	9000	1,2	90,0	0,7	9000	0,7	90,0																			
811,2	3,5	8100	3,3	90,0	1,7	9000	1,8	90,0	1,1	9000	1,2	90,0	0,6	9000	0,6	90,0																			
879,8	3,2	8100	3,0	90,0	1,6	9000	1,7	90,0	1,0	9000	1,1	90,0	0,6	9000	0,6	90,0																			
981,3	2,9	8100	2,7	90,0	1,4	9000	1,5	90,0	0,9	9000	1,0	90,0	0,5	9000	0,5	90,0																			
1064,2	2,6	8100	2,5	90,0	1,3	9000	1,4	90,0	0,8	9000	0,9	90,0	0,5	9000	0,5	90,0																			
1158,9	2,4	8100	2,3	90,0	1,2	9000	1,3	90,0	0,8	9000	0,8	90,0	0,4	9000	0,5	90,0																			
1268,2	2,2	8100	2,1	90,0	1,1	9000	1,2	90,0	0,7	9000	0,7	90,0	0,4	9000	0,4	90,0																			
1395,7	2,0	8100	1,9	90,0	1,0	9000	1,1	90,0	0,6	9000	0,7	90,0	0,4	9000	0,4	90,0																			
1546,4	1,8	8100	1,7	90,0	0,9	9000	0,9	90,0	0,6	9000	0,6	90,0	0,3	9000	0,3	90,0																			

Pt _N [kW]	tutti i rapporti all ratios alle Untersetzungen
	21.0

N.B.
Per i riduttori evidenziati dal doppio bordo nella colonna delle potenze è necessario verificare lo scambio termico del riduttore (come indicato nel par. A-1.5). Per maggiori informazioni

NOTE.
Pay attention please to the frame around the input power value: for this gearboxes it's important to check the thermal capacity (comp. par. A-1.5). For details please contact our

HINWEIS.
Sind in den Tabellen Nennleistungen eingerahmt, so ist die thermische Leistungsgrenze der Getriebe zu beachten (s. par.A-1.5).

N.B.
I pesi riportati sono indicativi e possono variare in funzione della versione del riduttore.

NOTE.
Listed weights are for reference only and can vary according to the gearbox version.

HINWEIS.
Die angegebenen Gewichtsmaße sind Richtwerte und können je nach Getriebeversion variieren.



1.6 Prestazioni riduttori

1.6 gearboxes performances

1.6 Leistungen der Getriebe

PR 190_2 10500 Nm 315 Kg

Table with 4 main columns for input speeds n1 = 2800, 1400, 900, and 500 min-1. Each column contains sub-columns for n2, T2M, P, and RD. The table lists various gear ratios and their corresponding performance metrics.

PtN [kW] tutti i rapporti / all ratios / alle Untersetzungen 72.0

PLR 135_3 10500 Nm 340 Kg

Table with 4 main columns for input speeds n1 = 2800, 1400, 900, and 500 min-1. Each column contains sub-columns for n2, T2M, P, and RD. The table lists various gear ratios and their corresponding performance metrics.

PtN [kW] tutti i rapporti / all ratios / alle Untersetzungen 40.0

* Nei rapporti contrassegnati non è disponibile la versione uscita con albero cavo "-.-" "C" "-.-" "CD" "-.-" "QL-L".

* Hollow output shaft "-.-" "C" "-.-" "CD" "-.-" "QL-L" not available for ratios marked with this symbol.

* Bei den gekennzeichneten Übersetzungsverhältnissen ist die Version "Abtrieb mit Hohlwelle" "-.-" "C" "-.-" "CD" "-.-" "QL-L" nicht verfügbar.

N.B. Per i riduttori evidenziati dal doppio bordo nella colonna delle potenze è necessario verificare lo scambio termico del riduttore (come indicato nel par. A-1.5). Per maggiori informazioni contattare l'ufficio tecnico STM.

NOTE. Pay attention please to the frame around the input power value: for this gearboxes it's important to check the thermal capacity (comp. par. A-1.5). For details please contact our technical office.

HINWEIS. Sind in den Tabellen Nennleistungen eingerahmt, so ist die thermische Leistungsgrenze der Getriebe zu beachten (s. par.A-1.5). Für weitere Informationen wenden Sie sich bitte an unser technisches Büro.

N.B. Per i pesi riportati sono indicativi e possono variare in funzione della versione del riduttore.

NOTE. Listed weights are for reference only and can vary according to the gearbox version.

HINWEIS. Die angegebenen Gewichtsmaße sind Richtwerte und können je nach Getriebeversion variieren.

1.6 Prestazioni riduttori

1.6 gearboxes performances

1.6 Leistungen der Getriebe

PER 190_4

12500 Nm



300

ir	n ₁ = 2800 min ⁻¹				n ₁ = 1400 min ⁻¹				n ₁ = 900 min ⁻¹				n ₁ = 500 min ⁻¹				IEC																										
	n ₂ min ⁻¹	T _{2M} Nm	P kW	RD %	n ₂ min ⁻¹	T _{2M} Nm	P kW	RD %	n ₂ min ⁻¹	T _{2M} Nm	P kW	RD %	n ₂ min ⁻¹	T _{2M} Nm	P kW	RD %																											
182,2	15,4	11500	20,6	90,0	7,7	12500	11,2	90,0	4,9	12500	7,2	90,0	2,7	12500	4,0	90,0	180 B5																										
210,7	13,3	11500	17,8	90,0	6,6	12500	9,7	90,0	4,3	12500	6,2	90,0	2,4	12500	3,5	90,0		160 B5																									
246,9	11,3	11500	15,2	90,0	5,7	12500	8,2	90,0	3,6	12500	5,3	90,0	2,0	12500	2,9	90,0			132 B5																								
268,9	10,4	11500	13,9	90,0	5,2	12500	7,6	90,0	3,3	12500	4,9	90,0	1,9	12500	2,7	90,0				112 B5																							
291,5	9,6	11500	12,9	90,0	4,8	12500	7,0	90,0	3,1	12500	4,5	90,0	1,7	12500	2,5	90,0					100 B5																						
302,5	9,3	11500	12,4	90,0	4,6	12500	6,7	90,0	3,0	12500	4,3	90,0	1,7	12500	2,4	90,0						90 B5																					
317,4	8,8	11500	11,8	90,0	4,4	12500	6,4	90,0	2,8	12500	4,1	90,0	1,6	12500	2,3	90,0							80 B5																				
329,4	8,5	11500	11,4	90,0	4,2	12500	6,2	90,0	2,7	12500	4,0	90,0	1,5	12500	2,2	90,0								71 B5																			
347,3	8,1	11500	10,8	90,0	4,0	12500	5,9	90,0	2,6	12500	3,8	90,0	1,4	12500	2,1	90,0									63 B5																		
357,1	7,8	11500	10,5	90,0	3,9	12500	5,7	90,0	2,5	12500	3,7	90,0	1,4	12500	2,0	90,0																											
388,9	7,2	11500	9,6	90,0	3,6	12500	5,2	90,0	2,3	12500	3,4	90,0	1,3	12500	1,9	90,0																											
425,6	6,6	11500	8,8	90,0	3,3	12500	4,8	90,0	2,1	12500	3,1	90,0	1,2	12500	1,7	90,0																											
448,2	6,2	11500	8,4	90,0	3,1	12500	4,5	90,0	2,0	12500	2,9	90,0	1,1	12500	1,6	90,0																											
483,2	5,8	11500	7,8	90,0	2,9	12500	4,2	90,0	1,9	12500	2,7	90,0	1,0	12500	1,5	90,0																											
526,2	5,3	11500	7,1	90,0	2,7	12500	3,9	90,0	1,7	12500	2,5	90,0	1,0	12500	1,4	90,0																											
575,9	4,9	11500	6,5	90,0	2,4	12500	3,5	90,0	1,6	12500	2,3	90,0	0,9	12500	1,3	90,0																											
606,4	4,6	11500	6,2	90,0	2,3	12500	3,4	90,0	1,5	12500	2,2	90,0	0,8	12500	1,2	90,0																											
660,4	4,2	11500	5,7	90,0	2,1	12500	3,1	90,0	1,4	12500	2,0	90,0	0,8	12500	1,1	90,0																											
704,9	4,0	11500	5,3	90,0	2,0	12500	2,9	90,0	1,3	12500	1,9	90,0	0,7	12500	1,0	90,0																											
756,8	3,7	11500	5,0	90,0	1,8	12500	2,7	90,0	1,2	12500	1,7	90,0	0,7	12500	1,0	90,0																											
824,1	3,4	11500	4,5	90,0	1,7	12500	2,5	90,0	1,1	12500	1,6	90,0	0,6	12500	0,9	90,0																											
879,8	3,2	11500	4,3	90,0	1,6	12500	2,3	90,0	1,0	12500	1,5	90,0	0,6	12500	0,8	90,0																											
958,0	2,9	11500	3,9	90,0	1,5	12500	2,1	90,0	0,9	12500	1,4	90,0	0,5	12500	0,8	90,0																											
1064,2	2,6	11500	3,5	90,0	1,3	12500	1,9	90,0	0,8	12500	1,2	90,0	0,5	12500	0,7	90,0																											
1158,9	2,4	11500	3,2	90,0	1,2	12500	1,8	90,0	0,8	12500	1,1	90,0	0,4	12500	0,6	90,0																											
1268,2	2,2	11500	3,0	90,0	1,1	12500	1,6	90,0	0,7	12500	1,0	90,0	0,4	12500	0,6	90,0																											
1395,7	2,0	11500	2,7	90,0	1,0	12500	1,5	90,0	0,6	12500	0,9	90,0	0,4	12500	0,5	90,0																											
1546,4	1,8	11500	2,4	90,0	0,9	12500	1,3	90,0	0,6	12500	0,8	90,0	0,3	12500	0,5	90,0																											

Pt _N [kW]	tutti i rapporti all ratios alle Untersetzungen
	27.0

N.B.
Per i riduttori evidenziati dal doppio bordo nella colonna delle potenze è necessario verificare lo scambio termico del riduttore (come indicato nel par. A-1.5). Per maggiori informazioni

NOTE.
Pay attention please to the frame around the input power value: for this gearboxes it's important to check the thermal capacity (comp. par. A-1.5). For details please contact our

HINWEIS.
Sind in den Tabellen Nennleistungen eingerahmt, so ist die thermische Leistungsgrenze der Getriebe zu beachten (s. par.A-1.5).

N.B.
I pesi riportati sono indicativi e possono variare in funzione della versione del riduttore.



NOTE.
Listed weights are for reference only and can vary according to the gearbox version.

HINWEIS.
Die angegebenen Gewichtsmaße sind Richtwerte und können je nach Getriebeversion variieren.



**0.09
kW**

HIGH TECH *line* Motion

P₁ Input Power kW	n₂ Output speed min ⁻¹	IR ratio -	T₂ Ouput torque Nm	FS' Service Factor -	 GEAR	 EU	P_{tn} Thermal capacity kW
---	---	-------------------------	--	-----------------------------------	--	--	---



0,09	26,9	32,0	29,7	3,7	P L 25 3 32	T 63B6	4,0
	23,3	36,9	34,3	3,2	P L 25 3 36,9	T 63B6	4,0
	20,2	42,6	39,6	2,8	P L 25 3 42,6	T 63B6	4,0
	15,7	54,8	51,0	2,2	P L 25 3 54,8	T 63B6	4,0
	13,3	64,6	60,0	1,8	P L 25 3 64,6	T 63B6	4,0
	12,4	69,6	64,7	3,9	P - 63 3 69,6	T 63B6	4,0
	11,4	75,4	70,0	3,6	P - 63 3 75,4	T 63B6	4,0
	11,4	75,5	70,2	1,6	P L 25 3 75,5	T 63B6	4,0
	10,6	81,4	75,7	3,4	P - 63 3 81,4	T 63B6	4,0
	9,9	87,0	81,1	1,4	P L 25 3 87	T 63B6	4,0
	9,7	88,4	82,1	3,0	P - 63 3 88,4	T 63B6	4,0
	8,7	98,9	91,8	2,7	P - 63 3 98,9	T 63B6	4,0
	8,5	101,6	94,3	1,2	P L 25 3 101,6	T 63B6	4,0
	7,5	114,4	106,2	2,4	P - 63 3 114,4	T 63B6	4,0
	7,3	117,3	108,8	1,0	P L 25 3 117,3	T 63B6	4,0
	6,4	134,3	124,9	3,9	P - 71 3 134,3	T 63B6	5,4
	6,4	135,3	125,3	0,9	P L 25 3 135,3	T 63B6	4,0
	6,4	135,4	126,1	2,0	P - 63 3 135,4	T 63B6	4,0
	5,8	149,1	138,3	1,8	P - 63 3 149,1	T 63B6	4,0
	5,6	154,8	143,8	3,5	P - 71 3 154,8	T 63B6	5,4
	5,4	159,1	147,8	0,7	P L 25 3 159,1	T 63B6	4,0
	5,3	163,2	151,6	3,1	P - 71 3 163,2	T 63B6	5,4
	5,2	164,7	153,1	1,6	P - 63 3 164,7	T 63B6	4,0
	4,9	175,4	163,0	4,0	P L 65 3 175,4	T 63B6	8,0
	4,7	181,3	169,2	1,5	P - 63 3 181,3	T 63B6	4,0
	4,5	191,6	177,9	2,9	P - 71 3 191,6	T 63B6	5,4
	4,4	197,9	184,0	3,5	P L 65 3 197,9	T 63B6	8,0
	4,0	216,9	201,3	1,3	P - 63 3 216,9	T 63B6	4,0
	3,9	220,8	205,3	2,5	P - 71 3 220,8	T 63B6	5,4
	1,0	904,3	813,6	3,9	P E 125 904,27	T 63B6	10,5
0,73	1175,0	1061,1	2,5	P E 125 1175,04	T 63B6	10,5	

P ₁ Input Power kW	n ₂ Output speed min ⁻¹	IR ratio -	T ₂ Ouput torque Nm	FS' Service Factor -	 GEAR	 EU	P _{tn} Thermal capacity kW
0,13	41,9	32,0	27,5	3,6	P L 25 3 32	T 63A4	4,0
	37,0	23,8	31,2	3,5	P L 25 3 23,8	T 63C6	4,0
	36,3	36,9	31,8	3,1	P L 25 3 36,9	T 63A4	4,0
	32,1	27,4	35,9	3,1	P L 25 3 27,4	T 63C6	4,0
	31,5	42,6	36,7	2,7	P L 25 3 42,6	T 63A4	4,0
	27,5	32,0	41,9	2,6	P L 25 3 32	T 63C6	4,0
	24,5	54,8	47,3	2,1	P L 25 3 54,8	T 63A4	4,0
	23,9	36,9	48,5	2,3	P L 25 3 36,9	T 63C6	4,0
	20,7	64,6	55,6	1,8	P L 25 3 64,6	T 63A4	4,0
	20,7	42,6	55,9	2,0	P L 25 3 42,6	T 63C6	4,0
	17,8	75,4	65,0	3,8	P - 63 3 75,4	T 63A4	4,0
	17,8	75,5	65,0	1,5	P L 25 3 75,5	T 63A4	4,0
	16,5	53,3	69,9	3,6	P - 63 3 53,3	T 63C6	4,0
	16,5	81,4	70,2	3,6	P - 63 3 81,4	T 63A4	4,0
	16,1	54,8	71,9	1,5	P L 25 3 54,8	T 63C6	4,0
	15,4	87,0	75,1	1,3	P L 25 3 87	T 63A4	4,0
	15,4	57,2	75,0	3,4	P - 63 3 57,2	T 63C6	4,0
	15,2	88,4	76,1	3,3	P - 63 3 88,4	T 63A4	4,0
	14,2	61,8	81,1	3,1	P - 63 3 61,8	T 63C6	4,0
	13,6	64,6	84,6	1,3	P L 25 3 64,6	T 63C6	4,0
	13,6	98,9	85,3	2,9	P - 63 3 98,9	T 63A4	4,0
	13,2	101,6	87,2	1,1	P L 25 3 101,6	T 63A4	4,0
	12,6	69,6	91,3	2,7	P - 63 3 69,6	T 63C6	4,0
	11,7	114,4	98,5	2,5	P - 63 3 114,4	T 63A4	4,0
	11,7	75,4	99,0	2,6	P - 63 3 75,4	T 63C6	4,0
	11,7	75,5	99,3	1,1	P L 25 3 75,5	T 63C6	4,0
	11,4	117,3	100,8	1,0	P L 25 3 117,3	T 63A4	4,0
	10,8	81,4	106,9	2,4	P - 63 3 81,4	T 63C6	4,0
	10,1	87,0	114,4	1,0	P L 25 3 87	T 63C6	4,0
	10,0	134,3	115,7	4,0	P - 71 3 134,3	T 63A4	5,4
	10,0	88,4	116,1	2,2	P - 63 3 88,4	T 63C6	4,0
	9,9	135,4	116,5	2,1	P - 63 3 135,4	T 63A4	4,0
	9,9	135,3	117,1	0,9	P L 25 3 135,3	T 63A4	4,0
	9,6	91,5	120,0	3,9	P - 71 3 91,5	T 63C6	5,4
	9,0	149,1	128,5	1,9	P - 63 3 149,1	T 63A4	4,0
	8,9	98,9	129,5	1,9	P - 63 3 98,9	T 63C6	4,0
	8,9	99,3	130,3	3,6	P - 71 3 99,3	T 63C6	5,4
	8,7	154,8	133,2	3,5	P - 71 3 154,8	T 63A4	5,4
	8,7	101,6	133,6	0,8	P L 25 3 101,6	T 63C6	4,0
	8,4	159,1	136,8	0,7	P L 25 3 159,1	T 63A4	4,0
	8,2	163,2	140,7	3,3	P - 71 3 163,2	T 63A4	5,4
	8,2	107,5	141,1	3,3	P - 71 3 107,5	T 63C6	5,4
	8,1	164,7	141,9	1,8	P - 63 3 164,7	T 63A4	4,0
	7,7	114,4	150,0	1,7	P - 63 3 114,4	T 63C6	4,0
	7,6	175,4	151,2	4,0	P L 65 3 175,4	T 63A4	8,0
	7,5	117,3	153,8	0,7	P L 25 3 117,3	T 63C6	4,0
	7,4	181,3	156,2	1,6	P - 63 3 181,3	T 63A4	4,0
	7,1	123,8	162,5	3,0	P - 71 3 123,8	T 63C6	5,4
	7,0	191,6	165,0	3,0	P - 71 3 191,6	T 63A4	5,4
	6,8	197,9	170,7	3,5	P L 65 3 197,9	T 63A4	8,0
6,6	134,3	176,5	2,8	P - 71 3 134,3	T 63C6	5,4	
6,5	135,4	177,3	1,4	P - 63 3 135,4	T 63C6	4,0	
6,3	138,8	182,1	3,6	P L 65 3 138,8	T 63C6	8,0	
6,2	216,9	186,8	1,3	P - 63 3 216,9	T 63A4	4,0	
6,1	220,8	190,1	2,6	P - 71 3 220,8	T 63A4	5,4	
5,9	149,1	196,2	1,3	P - 63 3 149,1	T 63C6	4,0	
5,8	152,8	200,2	3,2	P L 65 3 152,8	T 63C6	8,0	
5,7	154,8	203,1	2,5	P - 71 3 154,8	T 63C6	5,4	
5,4	163,2	214,4	2,2	P - 71 3 163,2	T 63C6	5,4	
5,3	164,7	216,7	1,2	P - 63 3 164,7	T 63C6	4,0	
5,0	175,4	230,2	2,8	P L 65 3 175,4	T 63C6	8,0	
4,9	181,3	237,2	1,1	P - 63 3 181,3	T 63C6	4,0	
4,6	191,6	251,3	2,1	P - 71 3 191,6	T 63C6	5,4	
4,5	197,9	259,2	2,5	P L 65 3 197,9	T 63C6	8,0	
4,1	216,9	283,3	0,9	P - 63 3 216,9	T 63C6	4,0	
4,0	220,8	288,9	1,8	P - 71 3 220,8	T 63C6	5,4	
1,5	580,5	734,9	3,9	P E 125 580,52	T 63C6	10,5	
1,2	724,6	924,2	3,2	P E 125 724,6	T 63C6	10,5	
1,1	1175,0	980,4	2,8	P E 125 1175,04	T 63A4	10,5	
1,1	780,3	989,1	3,5	P E 125 780,26	T 63C6	10,5	
1,1	817,4	1033,8	3,9	P E 132 817,42	T 63C6	12,0	
1,0	905,7	1153,0	3,5	P E 132 905,66	T 63C6	12,0	
1,0	904,3	1152,4	2,8	P E 125 904,27	T 63C6	10,5	
0,75	1175,0	1487,3	1,8	P E 125 1175,04	T 63C6	10,5	
0,74	1183,2	1508,7	4,0	P E 150 1183,21	T 63C6	16,0	
0,68	1294,8	1642,1	3,7	P E 150 1294,77	T 63C6	16,0	
0,62	1424,9	1801,4	3,3	P E 150 1424,94	T 63C6	16,0	
0,56	1578,8	1994,9	3,0	P E 150 1578,76	T 63C6	16,0	





0.18
kW

HIGH TECH *line* Motion

P₁ Input Power kW	n₂ Output speed min ⁻¹	IR ratio -	T₂ Output torque Nm	FS' Service Factor -	 GEAR	 EU	P_{tn} Thermal capacity kW
	65.0	42.6	24.6	3.7	P L 25 3 42.6	T 63A2	4.0
	57.1	23.8	28.0	3.6	P L 25 3 23.8	T 63B4	4.0
	54.1	17.2	29.6	3.7	P L 25 3 17.2	T 71A6	4.0
	50.6	54.8	31.6	2.8	P L 25 3 54.8	T 63A2	4.0
	49.6	27.4	32.2	3.1	P L 25 3 27.4	T 63B4	4.0
	45.6	20.4	35.0	3.1	P L 25 3 20.4	T 71A6	4.0
	42.9	64.6	37.2	2.4	P L 25 3 64.6	T 63A2	4.0
	42.5	32.0	37.6	2.7	P L 25 3 32	T 63B4	4.0
	39.1	23.8	40.9	2.7	P L 25 3 23.8	T 71A6	4.0
	36.9	36.9	43.4	2.3	P L 25 3 36.9	T 63B4	4.0
	36.7	75.5	43.5	2.1	P L 25 3 75.5	T 63A2	4.0
	33.9	27.4	47.1	2.3	P L 25 3 27.4	T 71A6	4.0
	31.9	42.6	50.1	2.0	P L 25 3 42.6	T 63B4	4.0
	31.8	87.0	50.2	1.8	P L 25 3 87	T 63A2	4.0
	29.1	32.0	55.0	2.0	P L 25 3 32	T 71A6	4.0
	27.3	101.6	58.7	1.5	P L 25 3 101.6	T 63A2	4.0
	25.5	53.3	62.7	4.0	P - 63 3 53.3	T 63B4	4.0
	25.4	36.6	64.3	3.9	P - 63 2 36.6	T 71A6	5.6
	25.2	36.9	63.5	1.7	P L 25 3 36.9	T 71A6	4.0
	24.8	54.8	64.5	1.6	P L 25 3 54.8	T 63B4	4.0
	24.2	114.4	66.1	3.6	P - 63 3 114.4	T 63A2	4.0
	23.8	57.2	67.3	3.7	P - 63 3 57.2	T 63B4	4.0
	23.6	117.3	67.8	1.3	P L 25 3 117.3	T 63A2	4.0
	23.0	40.5	71.2	3.4	P - 63 2 40.5	T 71A6	5.6
	22.7	40.9	70.3	3.8	P L 45 3 40.9	T 71A6	6.5
	22.0	61.8	72.6	3.4	P - 63 3 61.8	T 63B4	4.0
	21.8	42.6	73.3	1.5	P L 25 3 42.6	T 71A6	4.0
	21.4	43.4	74.6	3.4	P - 63 3 43.4	T 71A6	4.0
	21.1	64.6	75.9	1.3	P L 25 3 64.6	T 63B4	4.0
	20.5	135.3	78.3	1.2	P L 25 3 135.3	T 63A2	4.0
	20.5	135.4	78.1	3.1	P - 63 3 135.4	T 63A2	4.0
	20.4	45.7	78.5	3.4	P L 45 3 45.7	T 71A6	6.5
	19.8	47.0	80.8	3.2	P - 63 3 47	T 71A6	4.0
	19.5	69.6	81.8	3.1	P - 63 3 69.6	T 63B4	4.0
	18.6	149.1	86.1	2.8	P - 63 3 149.1	T 63A2	4.0
	18.0	75.4	88.6	2.8	P - 63 3 75.4	T 63B4	4.0
	18.0	75.5	88.7	1.1	P L 25 3 75.5	T 63B4	4.0
	17.6	52.8	90.8	3.0	P L 45 3 52.8	T 71A6	6.5
	17.5	53.3	91.6	2.8	P - 63 3 53.3	T 71A6	4.0
	17.4	159.1	92.0	1.0	P L 25 3 159.1	T 63A2	4.0
	17.0	54.8	94.3	1.2	P L 25 3 54.8	T 71A6	4.0
	16.8	164.7	94.9	2.5	P - 63 3 164.7	T 63A2	4.0
	16.7	81.4	95.7	2.6	P - 63 3 81.4	T 63B4	4.0
	16.3	57.2	98.3	2.6	P - 63 3 57.2	T 71A6	4.0
	15.6	87.0	102.3	1.0	P L 25 3 87	T 63B4	4.0
	15.5	60.1	103.4	2.6	P L 45 3 60.1	T 71A6	6.5
	15.4	88.4	103.9	2.4	P - 63 3 88.4	T 63B4	4.0
	15.3	181.3	104.6	2.3	P - 63 3 181.3	T 63A2	4.0
	15.1	61.8	106.2	2.4	P - 63 3 61.8	T 71A6	4.0
	14.8	187.8	108.7	0.8	P L 25 3 187.8	T 63A2	4.0
	14.4	64.6	111.2	1.0	P L 25 3 64.6	T 71A6	4.0
	13.8	98.9	116.3	2.2	P - 63 3 98.9	T 63B4	4.0
	13.7	99.3	116.6	3.9	P - 71 3 99.3	T 63B4	5.4
	13.4	101.6	119.2	0.8	P L 25 3 101.6	T 63B4	4.0
	13.4	69.6	119.7	2.1	P - 63 3 69.6	T 71A6	4.0
	13.2	70.6	121.5	2.2	P L 45 3 70.6	T 71A6	6.5
	13.0	213.9	123.7	0.7	P L 25 3 213.9	T 63A2	4.0
	12.8	216.9	125.2	1.9	P - 63 3 216.9	T 63A2	4.0
	12.7	107.5	126.4	3.6	P - 71 3 107.5	T 63B4	5.4
	12.6	220.8	127.4	3.5	P - 71 3 220.8	T 63A2	5.4
	12.3	75.4	129.8	3.6	P - 71 3 75.4	T 71A6	5.4
	12.3	75.4	129.7	2.0	P - 63 3 75.4	T 71A6	4.0
	12.3	75.5	129.4	0.9	P L 25 3 75.5	T 71A6	4.0
	11.9	114.4	134.3	1.9	P - 63 3 114.4	T 63B4	4.0
	11.6	117.3	138.5	0.7	P L 25 3 117.3	T 63B4	4.0
	11.4	81.4	139.9	1.8	P - 63 3 81.4	T 71A6	4.0
	11.0	123.8	145.5	3.2	P - 71 3 123.8	T 63B4	5.4
	10.9	85.7	147.3	1.8	P L 45 3 85.7	T 71A6	6.5
	10.7	86.8	149.2	3.2	P - 71 3 86.8	T 71A6	5.4
	10.7	87.0	150.0	0.7	P L 25 3 87	T 71A6	4.0
	10.5	88.4	152.0	1.6	P - 63 3 88.4	T 71A6	4.0
	10.2	91.5	157.2	3.0	P - 71 3 91.5	T 71A6	5.4
	10.1	134.3	157.7	2.9	P - 71 3 134.3	T 63B4	5.4
	10.0	135.4	159.0	1.6	P - 63 3 135.4	T 63B4	4.0
	9.8	138.8	163.1	3.7	P L 65 3 138.8	T 63B4	8.0
	9.4	98.9	169.8	1.5	P - 63 3 98.9	T 71A6	4.0
	9.4	99.0	170.3	3.8	P L 65 3 99	T 71A6	8.0
	9.4	99.3	170.6	2.8	P - 71 3 99.3	T 71A6	5.4
	9.2	100.7	173.0	1.6	P L 45 3 100.7	T 71A6	6.5
	9.1	149.1	175.1	1.4	P - 63 3 149.1	T 63B4	4.0
	8.9	152.8	179.7	3.3	P L 65 3 152.8	T 63B4	8.0
	8.8	154.8	182.0	2.5	P - 71 3 154.8	T 63B4	5.4
	8.7	107.1	184.1	1.5	P L 45 3 107.1	T 71A6	6.5
	8.7	107.5	184.7	2.5	P - 71 3 107.5	T 71A6	5.4
	8.3	163.2	192.1	2.4	P - 71 3 163.2	T 63B4	5.4
	8.3	164.7	193.1	1.3	P - 63 3 164.7	T 63B4	4.0
	8.1	114.4	197.0	1.3	P - 63 3 114.4	T 71A6	4.0
	8.0	116.2	200.0	3.3	P L 65 3 116.2	T 71A6	8.0
	7.8	175.4	206.1	2.9	P L 65 3 175.4	T 63B4	8.0
	7.5	123.8	212.8	2.3	P - 71 3 123.8	T 71A6	5.4
	7.5	181.3	213.3	1.2	P - 63 3 181.3	T 63B4	4.0
	7.1	191.6	225.0	2.2	P - 71 3 191.6	T 63B4	5.4
	7.0	132.7	228.2	1.2	P L 45 3 132.7	T 71A6	6.5
	6.9	134.3	230.9	2.1	P - 71 3 134.3	T 71A6	5.4
	6.9	197.9	232.8	2.6	P L 65 3 197.9	T 63B4	8.0

0,18





P ₁ Input Power kW	n ₂ Output speed min ⁻¹	IR ratio -	T2 Ouput torque Nm	FS' Service Factor -	 GEAR	 EU	P _{tn} Thermal capacity kW
0,18	6,9	135,4	233,0	1,1	P - 63 3 135.4	T 71A6	4,0
	6,7	138,8	238,8	2,7	P L 65 3 138.8	T 71A6	8,0
	6,6	141,0	242,3	3,9	P - 90 3 141	T 71A6	7,5
	6,3	216,9	255,7	1,0	P - 63 3 216.9	T 63B4	4,0
	6,2	149,1	256,4	1,0	P - 63 3 149.1	T 71A6	4,0
	6,2	220,8	259,4	1,9	P - 71 3 220.8	T 63B4	5,4
	6,1	152,8	262,3	2,5	P L 65 3 152.8	T 71A6	8,0
	6,1	152,9	262,7	1,0	P L 45 3 152.9	T 71A6	6,5
	6,0	154,8	266,3	1,9	P - 71 3 154.8	T 71A6	5,4
	6,0	155,2	267,0	3,5	P - 90 3 155.2	T 71A6	7,5
	5,7	163,2	280,1	1,7	P - 71 3 163.2	T 71A6	5,4
	5,7	164,7	283,0	0,9	P - 63 3 164.7	T 71A6	4,0
	5,3	175,4	301,5	2,2	P L 65 3 175.4	T 71A6	8,0
	5,2	178,1	306,5	3,1	P - 90 3 178.1	T 71A6	7,5
	5,1	181,3	312,5	0,8	P - 63 3 181.3	T 71A6	4,0
	4,9	188,9	324,0	0,8	P L 45 3 188.9	T 71A6	6,5
	4,9	191,6	329,6	1,6	P - 71 3 191.6	T 71A6	5,4
	4,7	197,9	340,1	1,9	P L 65 3 197.9	T 71A6	8,0
	4,6	201,0	345,0	2,7	P - 90 3 201	T 71A6	7,5
	4,6	204,1	350,8	3,7	P L 85 3 204.1	T 71A6	11,0
	4,4	214,0	367,3	3,5	P L 85 3 214	T 71A6	11,0
	4,2	220,8	380,5	1,4	P - 71 3 220.8	T 71A6	5,4
	4,1	224,4	386,6	2,4	P - 90 3 224.4	T 71A6	7,5
	4,0	234,0	402,8	3,2	P L 85 3 234	T 71A6	11,0
	3,7	253,2	436,2	2,2	P - 90 3 253.2	T 71A6	7,5
	3,4	270,0	464,3	2,8	P L 85 3 270	T 71A6	11,0
	2,4	1175,0	656,0	3,8	P E 125 1175,04	T 63A2	10,5
	1,9	724,6	823,2	3,6	P E 125 724,6	T 63B4	10,5
	1,7	780,3	888,6	3,9	P E 125 780,26	T 63B4	10,5
	1,6	580,5	966,7	3,0	P E 125 580,52	T 71A6	10,5
	1,5	905,7	1031,5	3,9	P E 132 905,66	T 63B4	12,0
	1,5	904,3	1032,3	3,1	P E 125 904,27	T 63B4	10,5
	1,5	625,2	1037,9	3,4	P E 125 625,23	T 71A6	10,5
	1,4	648,4	1082,5	3,2	P E 125 648,43	T 71A6	10,5
	1,4	655,0	1089,3	3,7	P E 132 655,01	T 71A6	12,0
	1,3	724,6	1208,1	2,5	P E 125 724,6	T 71A6	10,5
	1,3	742,8	1237,1	3,2	P E 132 742,75	T 71A6	12,0
	1,2	780,3	1299,0	2,7	P E 125 780,26	T 71A6	10,5
	1,2	1175,0	1335,2	2,0	P E 125 1175,04	T 63B4	10,5
	1,1	817,4	1355,9	3,0	P E 132 817,42	T 71A6	12,0
	1,0	905,7	1503,1	2,7	P E 132 905,66	T 71A6	12,0
	1,0	904,3	1503,9	2,1	P E 125 904,27	T 71A6	10,5
	1,0	948,1	1578,9	3,8	P E 150 948,12	T 71A6	16,0
	1,0	1424,9	1629,0	3,7	P E 150 1424,94	T 63B4	16,0
	0,90	1037,5	1719,7	3,5	P E 150 1037,52	T 71A6	16,0
	0,86	1578,8	1800,0	3,3	P E 150 1578,76	T 63B4	16,0
	0,79	1183,2	1960,1	3,1	P E 150 1183,21	T 71A6	16,0
	0,79	1175,0	1959,7	1,4	P E 125 1175,04	T 71A6	10,5
0,72	1294,8	2147,1	2,8	P E 150 1294,77	T 71A6	16,0	
0,67	1395,7	2307,7	3,9	P E 170 1395,69	T 71A6	21,0	
0,65	1424,9	2378,9	2,5	P E 150 1424,94	T 71A6	16,0	
0,60	1546,4	2579,6	3,5	P E 170 1546,36	T 71A6	21,0	
0,59	1578,8	2621,4	2,3	P E 150 1578,76	T 71A6	16,0	





0.22 kW

HIGH TECH line Motion

P ₁ Input Power kW	n ₂ Output speed min ⁻¹	IR ratio -	T ₂ Ouput torque Nm	FS' Service Factor -	 GEAR	 EU	P _{tn} Thermal capacity kW
0,22	66,7	20,4	29,3	3,4	P L 25 3 20.4	T 63C4	4,0
	57,1	23,8	34,2	2,9	P L 25 3 23.8	T 63C4	4,0
	49,6	27,4	39,4	2,5	P L 25 3 27.4	T 63C4	4,0
	42,5	32,0	45,9	2,2	P L 25 3 32	T 63C4	4,0
	36,9	36,9	53,0	1,9	P L 25 3 36.9	T 63C4	4,0
	31,9	42,6	61,3	1,6	P L 25 3 42.6	T 63C4	4,0
	30,1	45,2	66,3	3,6	P - 63 2 45.2	T 63C4	5,6
	28,9	47,0	67,5	3,7	P - 63 3 47	T 63C4	4,0
	25,5	53,3	76,6	3,3	P - 63 3 53.3	T 63C4	4,0
	24,8	54,8	78,9	1,3	P L 25 3 54.8	T 63C4	4,0
	23,8	57,2	82,2	3,0	P - 63 3 57.2	T 63C4	4,0
	22,0	61,8	88,7	2,8	P - 63 3 61.8	T 63C4	4,0
	21,1	64,6	92,8	1,1	P L 25 3 64.6	T 63C4	4,0
	19,5	69,6	100,0	2,5	P - 63 3 69.6	T 63C4	4,0
	18,0	75,4	108,3	2,3	P - 63 3 75.4	T 63C4	4,0
	18,0	75,5	108,4	0,9	P L 25 3 75.5	T 63C4	4,0
	16,7	81,4	117,0	2,1	P - 63 3 81.4	T 63C4	4,0
	15,7	86,8	124,6	3,7	P - 71 3 86.8	T 63C4	5,4
	15,6	87,0	125,0	0,8	P L 25 3 87	T 63C4	4,0
	15,4	88,4	127,0	2,0	P - 63 3 88.4	T 63C4	4,0
	14,9	91,5	131,4	3,5	P - 71 3 91.5	T 63C4	5,4
	13,8	98,9	142,1	1,8	P - 63 3 98.9	T 63C4	4,0
	13,7	99,3	142,5	3,2	P - 71 3 99.3	T 63C4	5,4
	12,7	107,5	154,5	3,0	P - 71 3 107.5	T 63C4	5,4
	11,9	114,4	164,2	1,5	P - 63 3 114.4	T 63C4	4,0
	11,7	116,2	167,1	3,6	P L 65 3 116.2	T 63C4	8,0
	11,0	123,8	177,9	2,6	P - 71 3 123.8	T 63C4	5,4
	10,1	134,3	192,8	2,4	P - 71 3 134.3	T 63C4	5,4
	10,0	135,4	194,3	1,3	P - 63 3 135.4	T 63C4	4,0
	9,8	138,8	199,4	3,0	P L 65 3 138.8	T 63C4	8,0
	9,1	149,1	214,0	1,2	P - 63 3 149.1	T 63C4	4,0
	8,9	152,8	219,6	2,7	P L 65 3 152.8	T 63C4	8,0
	8,8	154,8	222,4	2,1	P - 71 3 154.8	T 63C4	5,4
	8,3	163,2	234,8	2,0	P - 71 3 163.2	T 63C4	5,4
	8,3	164,7	236,1	1,1	P - 63 3 164.7	T 63C4	4,0
	7,8	175,4	251,9	2,4	P L 65 3 175.4	T 63C4	8,0
	7,5	181,3	260,7	1,0	P - 63 3 181.3	T 63C4	4,0
	7,1	191,6	275,0	1,8	P - 71 3 191.6	T 63C4	5,4
	6,9	197,9	284,5	2,1	P L 65 3 197.9	T 63C4	8,0
	6,3	216,9	312,5	0,8	P - 63 3 216.9	T 63C4	4,0
	6,2	220,8	317,0	1,6	P - 71 3 220.8	T 63C4	5,4
	2,3	580,5	807,6	3,6	P E 125 580.52	T 63C4	10,5
	2,1	648,4	900,6	3,9	P E 125 648.43	T 63C4	10,5
	1,9	724,6	1006,1	3,0	P E 125 724.6	T 63C4	10,5
	1,8	742,8	1032,9	3,9	P E 132 742.75	T 63C4	12,0
1,7	780,3	1086,0	3,2	P E 125 780.26	T 63C4	10,5	
1,7	817,4	1138,4	3,5	P E 132 817.42	T 63C4	12,0	
1,5	905,7	1260,7	3,2	P E 132 905.66	T 63C4	12,0	
1,5	904,3	1261,6	2,5	P E 125 904.27	T 63C4	10,5	
1,2	1175,0	1631,9	1,7	P E 125 1175.04	T 63C4	10,5	
1,2	1183,2	1643,8	3,7	P E 150 1183.21	T 63C4	16,0	
1,1	1294,8	1800,8	3,3	P E 150 1294.77	T 63C4	16,0	
1,0	1424,9	1991,0	3,0	P E 150 1424.94	T 63C4	16,0	
0,9	1578,8	2200,0	2,7	P E 150 1578.76	T 63C4	16,0	





P ₁ Input Power kW	n ₂ Output speed min ⁻¹	IR ratio -	T2 Ouput torque Nm	FS' Service Factor -	 GEAR	 EU	Ptn Thermal capacity kW
	88,1	32,0	25,2	3,6	P L 25 3 32	T 63B2	4,0
	82,0	17,2	27,1	3,7	P L 25 3 17,2	T 71A4	4,0
	76,4	36,9	29,1	3,1	P L 25 3 36,9	T 63B2	4,0
	69,1	20,4	32,1	3,1	P L 25 3 20,4	T 71A4	4,0
	66,2	42,6	33,5	2,7	P L 25 3 42,6	T 63B2	4,0
	59,2	23,8	37,5	2,7	P L 25 3 23,8	T 71A4	4,0
	51,5	27,4	43,2	2,3	P L 25 3 27,4	T 71A4	4,0
	51,5	54,8	43,2	2,1	P L 25 3 54,8	T 63B2	4,0
	51,2	17,2	43,4	2,5	P L 25 3 17,2	T 71B6	4,0
	44,1	32,0	50,4	2,0	P L 25 3 32	T 71A4	4,0
	43,7	64,6	50,9	1,8	P L 25 3 64,6	T 63B2	4,0
	43,1	20,4	51,5	2,1	P L 25 3 20,4	T 71B6	4,0
	38,2	36,9	58,1	1,7	P L 25 3 36,9	T 71A4	4,0
	37,4	75,5	59,5	1,5	P L 25 3 75,5	T 63B2	4,0
	37,0	23,8	60,0	1,8	P L 25 3 23,8	T 71B6	4,0
	36,5	24,1	62,1	3,9	P - 63 2 24,1	T 71B6	5,6
	34,8	40,5	65,1	3,7	P - 63 2 40,5	T 71A4	5,6
	34,6	81,4	64,1	3,7	P - 63 3 81,4	T 63B2	4,0
	34,5	40,9	64,4	3,9	P L 45 3 40,9	T 71A4	6,5
	33,7	26,1	67,3	3,7	P - 63 2 26,1	T 71B6	5,6
	33,1	42,6	67,0	1,5	P L 25 3 42,6	T 71A4	4,0
	32,5	43,4	68,3	3,7	P - 63 3 43,4	T 71A4	4,0
	32,4	87,0	68,6	1,3	P L 25 3 87	T 63B2	4,0
	32,1	27,4	69,1	1,6	P L 25 3 27,4	T 71B6	4,0
	31,9	88,4	69,6	3,4	P - 63 3 88,4	T 63B2	4,0
	31,2	45,2	72,7	3,3	P - 63 2 45,2	T 71A4	5,6
	30,9	45,7	72,0	3,5	P L 45 3 45,7	T 71A4	6,5
	30,7	28,7	72,4	3,7	P L 45 3 28,7	T 71B6	6,5
	30,0	47,0	74,1	3,4	P - 63 3 47	T 71A4	4,0
	28,5	98,9	77,9	3,1	P - 63 3 98,9	T 63B2	4,0
	27,8	31,7	81,7	3,1	P - 63 2 31,7	T 71B6	5,6
	27,8	101,6	80,1	1,1	P L 25 3 101,6	T 63B2	4,0
	27,5	32,0	80,7	3,3	P L 45 3 32	T 71B6	6,5
	27,5	32,0	80,6	1,4	P L 25 3 32	T 71B6	4,0
	26,7	52,8	83,1	3,0	P L 45 3 52,8	T 71A4	6,5
	26,5	53,3	83,9	3,0	P - 63 3 53,3	T 71A4	4,0
	25,7	54,8	86,2	1,2	P L 25 3 54,8	T 71A4	4,0
	24,7	57,2	90,1	2,8	P - 63 3 57,2	T 71A4	4,0
	24,7	114,4	90,1	2,7	P - 63 3 114,4	T 63B2	4,0
	24,0	36,6	94,4	2,6	P - 63 2 36,6	T 71B6	5,6
	24,0	117,3	92,2	1,0	P L 25 3 117,3	T 63B2	4,0
	23,9	36,9	93,2	1,2	P L 25 3 36,9	T 71B6	4,0
	23,5	60,1	94,7	2,6	P L 45 3 60,1	T 71A4	6,5
	22,8	61,8	97,4	2,6	P - 63 3 61,8	T 71A4	4,0
	21,8	64,6	101,6	1,0	P L 25 3 64,6	T 71A4	4,0
	21,7	40,5	104,3	2,3	P - 63 2 40,5	T 71B6	5,6
	21,5	40,9	103,2	2,6	P L 45 3 40,9	T 71B6	6,5
	21,0	134,3	105,7	4,0	P - 71 3 134,3	T 63B2	5,4
	20,8	135,3	106,6	0,8	P L 25 3 135,3	T 63B2	4,0
	20,8	135,4	106,6	2,3	P - 63 3 135,4	T 63B2	4,0
	20,7	42,6	107,4	1,0	P L 25 3 42,6	T 71B6	4,0
	20,3	43,4	109,5	2,3	P - 63 3 43,4	T 71B6	4,0
	20,3	69,6	109,6	2,3	P - 63 3 69,6	T 71A4	4,0
	20,0	70,6	111,2	2,2	P L 45 3 70,6	T 71A4	6,5
	19,7	44,7	115,2	4,0	P - 71 2 44,7	T 71B6	7,5
	19,3	45,7	115,2	2,3	P L 45 3 45,7	T 71B6	6,5
	18,9	149,1	117,4	2,0	P - 63 3 149,1	T 63B2	4,0
	18,7	47,0	118,7	2,1	P - 63 3 47	T 71B6	4,0
	18,7	75,4	118,7	3,9	P - 71 3 75,4	T 71A4	5,4
	18,7	75,4	118,8	2,1	P - 63 3 75,4	T 71A4	4,0
	18,7	75,5	119,0	0,8	P L 25 3 75,5	T 71A4	4,0
	18,2	154,8	121,8	3,4	P - 71 3 154,8	T 63B2	5,4
	17,7	159,1	125,0	0,7	P L 25 3 159,1	T 63B2	4,0
	17,4	50,5	130,1	3,5	P - 71 2 50,5	T 71B6	7,5
	17,3	81,4	128,1	2,0	P - 63 3 81,4	T 71A4	4,0
	17,3	163,2	128,5	3,3	P - 71 3 163,2	T 63B2	5,4
	17,1	164,7	129,6	1,9	P - 63 3 164,7	T 63B2	4,0
	16,7	52,8	133,1	2,0	P L 45 3 52,8	T 71B6	6,5
	16,5	53,3	134,5	1,9	P - 63 3 53,3	T 71B6	4,0
	16,5	53,5	135,0	3,4	P - 71 3 53,5	T 71B6	5,4
	16,5	85,7	135,0	1,9	P L 45 3 85,7	T 71A4	6,5
	16,2	86,8	136,7	3,4	P - 71 3 86,8	T 71A4	5,4
	16,2	87,0	136,6	0,7	P L 25 3 87	T 71A4	4,0
	16,1	175,4	138,0	3,9	P L 65 3 175,4	T 63B2	8,0
	16,1	54,8	138,2	0,8	P L 25 3 54,8	T 71B6	4,0
	16,0	88,4	139,2	1,8	P - 63 3 88,4	T 71A4	4,0
	15,6	181,3	142,9	1,7	P - 63 3 181,3	T 63B2	4,0
	15,4	91,5	144,1	3,2	P - 71 3 91,5	T 71A4	5,4
	15,4	57,2	144,2	1,8	P - 63 3 57,2	T 71B6	4,0
	14,7	191,6	150,8	3,0	P - 71 3 191,6	T 63B2	5,4
	14,6	60,1	151,7	1,8	P L 45 3 60,1	T 71B6	6,5
	14,5	60,8	153,5	3,0	P - 71 3 60,8	T 71B6	5,4
	14,3	98,9	155,9	1,6	P - 63 3 98,9	T 71A4	4,0
	14,3	197,9	155,9	3,5	P L 65 3 197,9	T 63B2	8,0
	14,2	99,0	155,9	3,8	P L 65 3 99	T 71A4	8,0
	14,2	61,8	155,9	1,6	P - 63 3 61,8	T 71B6	4,0
	14,2	99,3	156,5	2,9	P - 71 3 99,3	T 71A4	5,4
	14,0	100,7	158,6	1,6	P L 45 3 100,7	T 71A4	6,5
	13,7	64,2	161,8	2,9	P - 71 3 64,2	T 71B6	5,4
	13,7	64,4	162,5	4,0	P L 65 3 64,4	T 71B6	8,0
	13,2	107,1	168,5	1,5	P L 45 3 107,1	T 71A4	6,5
	13,1	107,5	169,1	2,7	P - 71 3 107,5	T 71A4	5,4
	13,0	216,9	170,9	1,4	P - 63 3 216,9	T 63B2	4,0
	12,8	220,8	173,9	2,6	P - 71 3 220,8	T 63B2	5,4
	12,6	69,6	175,6	1,4	P - 63 3 69,6	T 71B6	4,0

0,25





0.25 kW

HIGH TECH *line* Motion

P ₁ Input Power kW	n ₂ Output speed min ⁻¹	IR ratio -	T ₂ Output torque Nm	FS' Service Factor -	 GEAR	 EU	P _{tn} Thermal capacity kW
0,25	12,5	70,6	178,1	1,5	P L 45 3 70.6	T 71B6	6,5
	12,3	114,4	180,1	1,4	P - 63 3 114.4	T 71A4	4,0
	12,1	116,2	183,2	3,3	P L 65 3 116.2	T 71A4	8,0
	11,8	74,4	187,6	3,5	P L 65 3 74.4	T 71B6	8,0
	11,7	75,4	190,1	2,5	P - 71 3 75.4	T 71B6	5,4
	11,7	75,4	190,3	1,3	P - 63 3 75.4	T 71B6	4,0
	11,4	123,8	194,9	2,4	P - 71 3 123.8	T 71A4	5,4
	10,8	81,4	205,6	1,2	P - 63 3 81.4	T 71B6	4,0
	10,6	132,7	209,0	1,2	P L 45 3 132.7	T 71A4	6,5
	10,5	134,3	211,4	2,2	P - 71 3 134.3	T 71A4	5,4
	10,4	135,4	213,3	1,2	P - 63 3 135.4	T 71A4	4,0
	10,3	85,4	215,5	3,0	P L 65 3 85.4	T 71B6	8,0
	10,3	85,7	216,3	1,2	P L 45 3 85.7	T 71B6	6,5
	10,2	138,8	218,7	2,7	P L 65 3 138.8	T 71A4	8,0
	10,1	86,8	218,8	2,1	P - 71 3 86.8	T 71B6	5,4
	10,0	88,4	223,2	1,1	P - 63 3 88.4	T 71B6	4,0
	9,6	91,5	230,8	2,0	P - 71 3 91.5	T 71B6	5,4
	9,5	149,1	235,0	1,1	P - 63 3 149.1	T 71A4	4,0
	9,2	152,8	240,4	2,5	P L 65 3 152.8	T 71A4	8,0
	9,2	152,9	240,4	1,0	P L 45 3 152.9	T 71A4	6,5
	9,1	154,8	243,6	1,9	P - 71 3 154.8	T 71A4	5,4
	9,1	155,2	244,4	3,7	P - 90 3 155.2	T 71A4	7,5
	8,9	98,9	249,0	1,0	P - 63 3 98.9	T 71B6	4,0
	8,9	99,0	249,6	2,6	P L 65 3 99	T 71B6	8,0
	8,9	99,3	250,5	1,9	P - 71 3 99.3	T 71B6	5,4
	8,8	100,6	253,8	3,7	P - 90 3 100.6	T 71B6	7,5
	8,7	100,7	253,8	1,1	P L 45 3 100.7	T 71B6	6,5
	8,6	163,2	257,3	1,8	P - 71 3 163.2	T 71A4	5,4
	8,6	164,7	259,3	1,0	P - 63 3 164.7	T 71A4	4,0
	8,2	107,1	270,0	1,0	P L 45 3 107.1	T 71B6	6,5
	8,2	107,5	271,4	1,7	P - 71 3 107.5	T 71B6	5,4
	8,1	108,9	274,7	3,4	P - 90 3 108.9	T 71B6	7,5
	8,0	175,4	276,2	2,2	P L 65 3 175.4	T 71A4	8,0
	7,9	178,1	280,5	3,2	P - 90 3 178.1	T 71A4	7,5
	7,8	181,3	285,4	0,9	P - 63 3 181.3	T 71A4	4,0
	7,7	114,4	288,5	0,9	P - 63 3 114.4	T 71B6	4,0
	7,6	116,2	293,3	2,2	P L 65 3 116.2	T 71B6	8,0
	7,5	188,9	297,6	0,8	P L 45 3 188.9	T 71A4	6,5
	7,4	191,6	301,7	1,6	P - 71 3 191.6	T 71A4	5,4
	7,1	197,9	311,9	1,9	P L 65 3 197.9	T 71A4	8,0
	7,1	123,8	312,5	1,5	P - 71 3 123.8	T 71B6	5,4
	7,0	125,0	315,4	3,0	P - 90 3 125	T 71B6	7,5
	7,0	201,0	316,9	2,9	P - 90 3 201	T 71A4	7,5
	6,9	204,1	321,2	3,7	P L 85 3 204.1	T 71A4	11,0
	6,6	132,7	334,2	0,8	P L 45 3 132.7	T 71B6	6,5
	6,6	214,0	337,1	3,6	P L 85 3 214	T 71A4	11,0
	6,6	134,3	339,3	1,4	P - 71 3 134.3	T 71B6	5,4
	6,5	135,4	340,9	0,7	P - 63 3 135.4	T 71B6	4,0
	6,5	216,9	341,5	0,7	P - 63 3 216.9	T 71A4	4,0
	6,4	136,8	345,4	3,8	P L 85 3 136.8	T 71B6	11,0
6,4	220,8	347,2	1,4	P - 71 3 220.8	T 71A4	5,4	
6,3	138,8	350,2	1,9	P L 65 3 138.8	T 71B6	8,0	
6,3	224,4	353,8	2,6	P - 90 3 224.4	T 71A4	7,5	
6,2	141,0	355,8	2,7	P - 90 3 141	T 71B6	7,5	
6,0	234,0	368,1	3,3	P L 85 3 234	T 71A4	11,0	
5,8	152,8	385,1	1,7	P L 65 3 152.8	T 71B6	8,0	
5,8	152,9	385,7	0,7	P L 45 3 152.9	T 71B6	6,5	
5,7	154,8	390,6	1,3	P - 71 3 154.8	T 71B6	5,4	
5,7	155,2	391,8	2,4	P - 90 3 155.2	T 71B6	7,5	
5,6	253,2	398,4	2,3	P - 90 3 253.2	T 71A4	7,5	
5,5	160,0	403,7	3,2	P L 85 3 160	T 71B6	11,0	
5,4	163,2	412,3	1,1	P - 71 3 163.2	T 71B6	5,4	
5,2	270,0	425,5	2,8	P L 85 3 270	T 71A4	11,0	
5,0	175,4	442,8	1,5	P L 65 3 175.4	T 71B6	8,0	
4,9	178,1	449,1	2,1	P - 90 3 178.1	T 71B6	7,5	
4,8	184,6	465,6	2,8	P L 85 3 184.6	T 71B6	11,0	
4,6	191,6	483,3	1,1	P - 71 3 191.6	T 71B6	5,4	
4,5	197,9	498,5	1,3	P L 65 3 197.9	T 71B6	8,0	
4,4	201,0	507,0	1,9	P - 90 3 201	T 71B6	7,5	
4,3	204,1	515,1	2,5	P L 85 3 204.1	T 71B6	11,0	
4,1	214,0	539,9	2,4	P L 85 3 214	T 71B6	11,0	
4,0	220,8	555,6	0,9	P - 71 3 220.8	T 71B6	5,4	
3,9	224,4	566,5	1,7	P - 90 3 224.4	T 71B6	7,5	
3,8	234,0	590,9	2,2	P L 85 3 234	T 71B6	11,0	
3,5	253,2	638,5	1,5	P - 90 3 253.2	T 71B6	7,5	
3,3	270,0	681,3	1,9	P L 85 3 270	T 71B6	11,0	
2,5	350,3	856,6	3,2	P E 125 350,27	T 71B6	10,5	
2,4	580,5	884,1	3,3	P E 125 580,52	T 71A4	10,5	
2,4	1175,0	895,4	2,8	P E 125 1175,04	T 63B2	10,5	
2,3	383,9	937,8	3,7	P E 125 383,88	T 71B6	10,5	
2,3	625,2	951,1	3,7	P E 125 625,23	T 71A4	10,5	
2,2	648,4	989,8	3,5	P E 125 648,43	T 71A4	10,5	
2,1	416,3	1018,6	3,4	P E 125 416,28	T 71B6	10,5	
2,0	439,7	1074,1	3,7	P E 132 439,72	T 71B6	12,0	
2,0	724,6	1101,3	2,7	P E 125 724,6	T 71A4	10,5	
1,9	461,9	1124,7	3,1	P E 125 461,93	T 71B6	10,5	
1,9	742,8	1131,2	3,5	P E 132 742,75	T 71A4	12,0	
1,8	483,9	1180,6	3,4	P E 132 483,92	T 71B6	12,0	
1,8	780,3	1187,2	2,9	P E 125 780,26	T 71A4	10,5	
1,7	817,4	1250,0	3,2	P E 132 817,42	T 71A4	12,0	
1,7	519,6	1271,8	2,8	P E 125 519,6	T 71B6	10,5	
1,7	524,8	1278,8	3,1	P E 132 524,76	T 71B6	12,0	
1,6	543,9	1326,3	3,0	P E 132 543,89	T 71B6	12,0	
1,6	905,7	1377,4	2,9	P E 132 905,66	T 71A4	12,0	
0,25	1,6	904,3	1376,9	2,3	P E 125 904,27	T 71A4	10,5





P ₁ Input Power kW	n ₂ Output speed min ⁻¹	IR ratio -	T ₂ Ouput torque Nm	FS' Service Factor -	 GEAR	 EU	P _{tn} Thermal capacity kW
0,25	1,5	580,5	1413,3	2,1	P E 125 580,52	T 71B6	10,5
	1,5	595,2	1451,4	2,8	P E 132 595,18	T 71B6	12,0
	1,4	625,2	1524,4	2,3	P E 125 625,23	T 71B6	10,5
	1,4	643,2	1569,0	3,8	P E 150 643,23	T 71B6	16,0
	1,4	1037,5	1580,6	3,8	P E 150 1037,52	T 71A4	16,0
	1,4	648,4	1579,4	2,2	P E 125 648,43	T 71B6	10,5
	1,3	655,0	1602,6	2,5	P E 132 655,01	T 71B6	12,0
	1,3	697,5	1704,5	3,5	P E 150 697,51	T 71B6	16,0
	1,2	724,6	1777,3	1,7	P E 125 724,6	T 71B6	10,5
	1,2	1175,0	1790,5	1,5	P E 125 1175,04	T 71A4	10,5
	1,2	1183,2	1805,1	3,3	P E 150 1183,21	T 71A4	16,0
	1,2	743,0	1820,4	3,3	P E 150 743,02	T 71B6	16,0
	1,2	742,8	1821,5	2,2	P E 132 742,75	T 71B6	12,0
	1,2	766,5	1868,0	3,2	P E 150 766,52	T 71B6	16,0
	1,1	780,3	1902,2	1,8	P E 125 780,26	T 71B6	10,5
	1,1	1294,8	1971,1	3,0	P E 150 1294,77	T 71A4	16,0
	1,1	817,4	1988,1	2,0	P E 132 817,42	T 71B6	12,0
	1,1	831,2	2027,0	3,0	P E 150 831,21	T 71B6	16,0
	1,0	870,6	2127,7	2,8	P E 150 870,64	T 71B6	16,0
	1,0	1424,9	2170,8	2,8	P E 150 1424,94	T 71A4	16,0
	1,0	905,7	2217,3	1,8	P E 132 905,66	T 71B6	12,0
	1,0	904,3	2216,1	1,4	P E 125 904,27	T 71B6	10,5
	0,93	948,1	2311,2	2,6	P E 150 948,12	T 71B6	16,0
	0,91	1546,4	2361,0	3,8	P E 170 1546,36	T 71A4	21,0
	0,90	981,4	2388,5	3,8	P E 170 981,35	T 71B6	21,0
	0,89	1578,8	2415,5	2,5	P E 150 1578,76	T 71A4	16,0
	0,85	1037,5	2529,5	2,4	P E 150 1037,52	T 71B6	16,0
	0,83	1064,2	2589,2	3,5	P E 170 1064,22	T 71B6	21,0
	0,76	1158,9	2826,6	3,2	P E 170 1158,92	T 71B6	21,0
	0,75	1175,0	2860,2	0,9	P E 125 1175,04	T 71B6	10,5
	0,74	1183,2	2901,4	2,1	P E 150 1183,21	T 71B6	16,0
	0,69	1268,2	3112,0	2,9	P E 170 1268,2	T 71B6	21,0
	0,68	1294,8	3157,9	1,9	P E 150 1294,77	T 71B6	16,0
	0,63	1395,7	3411,6	3,7	P E 190 1395,69	T 71B6	27,0
	0,63	1395,7	3409,1	2,6	P E 170 1395,69	T 71B6	21,0
	0,62	1424,9	3464,2	1,7	P E 150 1424,94	T 71B6	16,0
	0,57	1546,4	3769,6	3,3	P E 190 1546,36	T 71B6	27,0
	0,57	1546,4	3768,8	2,4	P E 170 1546,36	T 71B6	21,0
	0,56	1578,8	3836,3	1,6	P E 150 1578,76	T 71B6	16,0





0.37 kW



HIGH TECH line Motion

P ₁ Input Power kW	n ₂ Output speed min ⁻¹	IR ratio -	T ₂ Output torque Nm	FS' Service Factor -	 GEAR	 EU	P _{tn} Thermal capacity kW
-------------------------------------	---	------------------	---------------------------------------	----------------------------	---	---	---

140,2	20,4	23,4	3,8	P L 25 3 20,4	T 71A2	4,0
137,3	20,4	23,9	3,8	P L 25 3 20,4	T 63C2	4,0
120,2	23,8	27,3	3,3	P L 25 3 23,8	T 71A2	4,0
117,7	23,8	27,9	3,2	P L 25 3 23,8	T 63C2	4,0
104,4	27,4	31,5	2,9	P L 25 3 27,4	T 71A2	4,0
102,2	27,4	32,1	2,8	P L 25 3 27,4	T 63C2	4,0
89,4	32,0	36,8	2,4	P L 25 3 32	T 71A2	4,0
87,5	32,0	37,5	2,4	P L 25 3 32	T 63C2	4,0
79,7	17,2	41,2	2,4	P L 25 3 17,2	T 71B4	4,0
77,9	17,2	42,2	2,4	P L 25 3 17,2	T 63D4	4,0
77,5	36,9	42,4	2,1	P L 25 3 36,9	T 71A2	4,0
75,9	36,9	43,3	2,1	P L 25 3 36,9	T 63C2	4,0
67,2	20,4	48,9	2,0	P L 25 3 20,4	T 71B4	4,0
67,1	42,6	49,0	1,8	P L 25 3 42,6	T 71A2	4,0
65,7	42,6	50,0	1,8	P L 25 3 42,6	T 63C2	4,0
65,7	20,4	50,0	2,0	P L 25 3 20,4	T 63D4	4,0
60,9	47,0	54,0	3,7	P - 63 3 47	T 71A2	4,0
59,6	47,0	55,2	3,6	P - 63 3 47	T 63C2	4,0
57,6	23,8	57,1	1,8	P L 25 3 23,8	T 71B4	4,0
56,9	24,1	59,1	3,9	P - 63 2 24,1	T 71B4	5,6
56,3	23,8	58,4	1,7	P L 25 3 23,8	T 63D4	4,0
55,6	24,1	60,4	3,8	P - 63 2 24,1	T 63D4	5,6
54,7	17,2	60,1	1,8	P L 25 3 17,2	T 80A6	4,0
54,2	52,8	60,7	3,7	P L 45 3 52,8	T 71A2	6,5
53,7	53,3	61,2	3,6	P - 63 3 53,3	T 71A2	4,0
52,9	17,2	62,1	1,8	P L 25 3 17,2	T 71C6	4,0
52,5	53,3	62,6	3,5	P - 63 3 53,3	T 63C2	4,0
52,5	26,1	63,9	3,8	P - 63 2 26,1	T 71B4	5,6
52,2	54,8	62,9	1,4	P L 25 3 54,8	T 71A2	4,0
51,3	26,1	65,4	3,7	P - 63 2 26,1	T 63D4	5,6
51,1	54,8	64,3	1,4	P L 25 3 54,8	T 63C2	4,0
50,0	57,2	65,7	3,5	P - 63 3 57,2	T 71A2	4,0
50,0	27,4	65,7	1,5	P L 25 3 27,4	T 71B4	4,0
49,0	57,2	67,1	3,4	P - 63 3 57,2	T 63C2	4,0
48,9	27,4	67,2	1,5	P L 25 3 27,4	T 63D4	4,0
47,7	28,7	68,8	3,6	P L 45 3 28,7	T 71B4	6,5
47,6	60,1	69,0	3,3	P L 45 3 60,1	T 71A2	6,5
47,5	19,8	70,7	3,6	P - 63 2 19,8	T 80A6	5,6
46,3	61,8	71,0	3,2	P - 63 3 61,8	T 71A2	4,0
46,1	20,4	71,3	1,5	P L 25 3 20,4	T 80A6	4,0
46,0	19,8	73,0	3,5	P - 63 2 19,8	T 71C6	5,6
45,9	20,5	73,2	3,3	P - 63 2 20,5	T 80A6	5,6
45,3	61,8	72,5	3,2	P - 63 3 61,8	T 63C2	4,0
44,6	20,4	73,6	1,5	P L 25 3 20,4	T 71C6	4,0
44,4	20,5	75,6	3,2	P - 63 2 20,5	T 71C6	5,6
44,3	64,6	74,2	1,2	P L 25 3 64,6	T 71A2	4,0
43,3	64,6	75,9	1,2	P L 25 3 64,6	T 63C2	4,0
43,2	31,7	77,7	3,1	P - 63 2 31,7	T 71B4	5,6
42,8	32,0	76,8	3,3	P L 45 3 32	T 71B4	6,5
42,8	32,0	76,8	1,3	P L 25 3 32	T 71B4	4,0
42,3	31,7	79,4	3,0	P - 63 2 31,7	T 63D4	5,6
41,9	32,0	78,4	1,3	P L 25 3 32	T 63D4	4,0
41,1	69,6	80,0	3,0	P - 63 3 69,6	T 71A2	4,0
40,5	70,6	81,1	2,8	P L 45 3 70,6	T 71A2	6,5
40,2	69,6	81,7	2,9	P - 63 3 69,6	T 63C2	4,0
39,5	23,8	83,2	1,3	P L 25 3 23,8	T 80A6	4,0
39,0	24,1	86,1	2,8	P - 63 2 24,1	T 80A6	5,6
38,2	23,8	85,9	1,3	P L 25 3 23,8	T 71C6	4,0
37,9	75,4	86,6	2,8	P - 63 3 75,4	T 71A2	4,0
37,9	75,5	86,7	1,0	P L 25 3 75,5	T 71A2	4,0
37,8	24,1	88,9	2,8	P - 63 2 24,1	T 71C6	5,6
37,4	36,6	89,7	2,8	P - 63 2 36,6	T 71B4	5,6
37,1	75,4	88,4	2,7	P - 63 3 75,4	T 63C2	4,0
37,1	36,9	88,5	1,1	P L 25 3 36,9	T 71B4	4,0
37,1	75,5	88,6	1,0	P L 25 3 75,5	T 63C2	4,0
36,6	36,6	91,7	2,7	P - 63 2 36,6	T 63D4	5,6
36,3	36,9	90,5	1,1	P L 25 3 36,9	T 63D4	4,0
36,0	26,1	93,2	2,7	P - 63 2 26,1	T 80A6	5,6
35,1	81,4	93,5	2,6	P - 63 3 81,4	T 71A2	4,0
34,9	26,1	96,3	2,6	P - 63 2 26,1	T 71C6	5,6
34,4	81,4	95,5	2,5	P - 63 3 81,4	T 63C2	4,0
34,3	27,4	95,8	1,1	P L 25 3 27,4	T 80A6	4,0
33,8	40,5	99,2	2,4	P - 63 2 40,5	T 71B4	5,6
33,5	40,9	98,1	2,5	P L 45 3 40,9	T 71B4	6,5
33,4	85,7	98,5	2,3	P L 45 3 85,7	T 71A2	6,5
33,2	27,4	99,0	1,1	P L 25 3 27,4	T 71C6	4,0
33,1	40,5	101,5	2,4	P - 63 2 40,5	T 63D4	5,6
32,9	87,0	100,0	0,9	P L 25 3 87	T 71A2	4,0
32,8	28,7	100,3	2,7	P L 45 3 28,7	T 80A6	6,5
32,4	88,4	101,6	2,4	P - 63 3 88,4	T 71A2	4,0
32,2	87,0	102,1	0,9	P L 25 3 87	T 63C2	4,0
32,2	42,6	102,2	1,0	P L 25 3 42,6	T 71B4	4,0
31,7	28,7	103,6	2,6	P L 45 3 28,7	T 71C6	6,5
31,7	88,4	103,7	2,3	P - 63 3 88,4	T 63C2	4,0
31,6	43,4	104,0	2,4	P - 63 3 43,4	T 71B4	4,0
31,5	42,6	104,5	1,0	P L 25 3 42,6	T 63D4	4,0
31,3	91,5	105,1	4,0	P - 71 3 91,5	T 71A2	5,4
30,9	43,4	106,4	2,3	P - 63 3 43,4	T 63D4	4,0
30,6	91,5	107,4	3,9	P - 71 3 91,5	T 63C2	5,4
30,3	45,2	110,7	2,2	P - 63 2 45,2	T 71B4	5,6
30,0	45,7	109,6	2,3	P L 45 3 45,7	T 71B4	6,5
29,7	31,7	113,2	2,2	P - 63 2 31,7	T 80A6	5,6
29,7	45,2	113,3	2,1	P - 63 2 45,2	T 63D4	5,6
29,4	32,0	111,9	2,4	P L 45 3 32	T 80A6	6,5
29,4	32,0	111,8	1,0	P L 25 3 32	T 80A6	4,0



0,37



P ₁ Input Power kW	n ₂ Output speed min ⁻¹	IR ratio -	T2 Ouput torque Nm	FS' Service Factor -	 GEAR	 EU	P _{tn} Thermal capacity kW
0,37	29,2	47,0	112,7	2,2	P - 63 3 47	T 71B4	4,0
	28,9	98,9	113,7	2,1	P - 63 3 98,9	T 71A2	4,0
	28,8	99,3	114,1	3,7	P - 71 3 99,3	T 71A2	5,4
	28,7	31,7	116,9	2,1	P - 63 2 31,7	T 71C6	5,6
	28,5	47,0	115,2	2,2	P - 63 3 47	T 63D4	4,0
	28,4	32,0	115,5	2,3	P L 45 3 32	T 71C6	6,5
	28,4	32,0	115,6	1,0	P L 25 3 32	T 71C6	4,0
	28,4	33,1	118,2	3,5	P - 71 2 33,1	T 80A6	7,5
	28,4	100,7	115,8	1,9	P L 45 3 100,7	T 71A2	6,5
	28,3	98,9	116,1	2,1	P - 63 3 98,9	T 63C2	4,0
	28,2	99,3	116,5	3,6	P - 71 3 99,3	T 63C2	5,4
	28,2	101,6	116,8	0,8	P L 25 3 101,6	T 71A2	4,0
	27,6	101,6	119,4	0,8	P L 25 3 101,6	T 63C2	4,0
	27,5	33,1	122,1	3,4	P - 71 2 33,1	T 71C6	7,5
	27,1	50,5	123,7	3,7	P - 71 2 50,5	T 71B4	7,5
	26,7	107,1	123,2	1,8	P L 45 3 107,1	T 71A2	6,5
	26,6	107,5	123,5	3,4	P - 71 3 107,5	T 71A2	5,4
	26,1	107,5	126,1	3,3	P - 71 3 107,5	T 63C2	5,4
	26,0	52,8	126,7	2,0	P L 45 3 52,8	T 71B4	6,5
	25,7	53,3	127,9	2,0	P - 63 3 53,3	T 71B4	4,0
	25,7	36,6	130,6	1,9	P - 63 2 36,6	T 80A6	5,6
	25,6	53,5	128,4	3,6	P - 71 3 53,5	T 71B4	5,4
	25,5	36,9	129,2	0,9	P L 25 3 36,9	T 80A6	4,0
	25,2	37,3	133,2	3,1	P - 71 2 37,3	T 80A6	7,5
	25,1	53,3	130,6	1,9	P - 63 3 53,3	T 63D4	4,0
	25,1	53,5	131,2	3,5	P - 71 3 53,5	T 63D4	5,4
	25,0	114,4	131,4	1,8	P - 63 3 114,4	T 71A2	4,0
	25,0	54,8	131,7	0,8	P L 25 3 54,8	T 71B4	4,0
	24,9	36,6	135,0	1,9	P - 63 2 36,6	T 71C6	5,6
	24,7	36,9	133,4	0,8	P L 25 3 36,9	T 71C6	4,0
	24,5	114,4	134,1	1,8	P - 63 3 114,4	T 63C2	4,0
	24,5	54,8	134,5	0,7	P L 25 3 54,8	T 63D4	4,0
	24,4	37,3	137,5	3,0	P - 71 2 37,3	T 71C6	7,5
	24,1	116,2	136,4	4,0	P L 65 3 116,2	T 63C2	8,0
	24,0	57,2	137,2	1,8	P - 63 3 57,2	T 71B4	4,0
	23,8	39,5	138,1	3,4	P - 71 3 39,5	T 80A6	5,4
	23,7	39,6	141,6	3,8	P - 80 2 39,63	T 80A6	7,5
	23,4	57,2	140,2	1,8	P - 63 3 57,2	T 63D4	4,0
	23,2	40,5	144,6	1,7	P - 63 2 40,5	T 80A6	5,6
	23,1	123,8	142,3	3,0	P - 71 3 123,8	T 71A2	5,4
	23,0	39,5	142,7	3,3	P - 71 3 39,5	T 71C6	5,4
	23,0	40,9	142,9	1,9	P L 45 3 40,9	T 80A6	6,5
	22,8	60,1	144,1	1,7	P L 45 3 60,1	T 71B4	6,5
	22,6	123,8	145,2	2,9	P - 71 3 123,8	T 63C2	5,4
	22,5	60,8	145,8	3,2	P - 71 3 60,8	T 71B4	5,4
	22,5	40,5	149,5	1,6	P - 63 2 40,5	T 71C6	5,6
	22,3	42,3	150,9	3,6	P - 80 2 42,25	T 80A6	7,5
	22,3	40,9	147,8	1,8	P L 45 3 40,9	T 71C6	6,5
	22,2	61,8	148,2	1,7	P - 63 3 61,8	T 71B4	4,0
	22,1	42,6	149,1	0,7	P L 25 3 42,6	T 80A6	4,0
22,0	60,8	149,0	3,1	P - 71 3 60,8	T 63D4	5,4	
21,7	61,8	151,6	1,6	P - 63 3 61,8	T 63D4	4,0	
21,7	43,4	151,6	1,6	P - 63 3 43,4	T 80A6	4,0	
21,6	132,7	152,5	1,5	P L 45 3 132,7	T 71A2	6,5	
21,4	42,6	153,6	0,7	P L 25 3 42,6	T 71C6	4,0	
21,3	64,2	154,0	3,0	P - 71 3 64,2	T 71B4	5,4	
21,3	134,3	154,3	2,7	P - 71 3 134,3	T 71A2	5,4	
21,3	64,4	154,5	3,9	P L 65 3 64,4	T 71B4	8,0	
21,1	135,4	155,5	1,5	P - 63 3 135,4	T 71A2	4,0	
21,0	44,7	159,7	2,9	P - 71 2 44,7	T 80A6	7,5	
21,0	43,4	156,8	1,6	P - 63 3 43,4	T 71C6	4,0	
20,9	64,2	157,4	2,9	P - 71 3 64,2	T 63D4	5,4	
20,9	134,3	157,6	2,7	P - 71 3 134,3	T 63C2	5,4	
20,8	64,4	157,9	3,8	P L 65 3 64,4	T 63D4	8,0	
20,7	135,4	158,9	1,5	P - 63 3 135,4	T 63C2	4,0	
20,6	138,8	159,5	3,4	P L 65 3 138,8	T 71A2	8,0	
20,6	45,7	159,8	1,7	P L 45 3 45,7	T 80A6	6,5	
20,4	44,7	164,9	2,8	P - 71 2 44,7	T 71C6	7,5	
20,2	138,8	163,0	3,3	P L 65 3 138,8	T 63C2	8,0	
20,0	47,0	164,4	1,6	P - 63 3 47	T 80A6	4,0	
19,9	45,7	165,1	1,6	P L 45 3 45,7	T 71C6	6,5	
19,8	46,0	166,1	3,9	P L 65 3 46	T 71C6	8,0	
19,7	69,6	167,0	1,5	P - 63 3 69,6	T 71B4	4,0	
19,5	48,1	171,9	3,2	P - 80 2 48,14	T 80A6	7,5	
19,4	70,6	169,4	1,5	P L 45 3 70,6	T 71B4	6,5	
19,4	47,0	169,7	1,5	P - 63 3 47	T 71C6	4,0	
19,3	69,6	170,7	1,5	P - 63 3 69,6	T 63D4	4,0	
19,2	149,1	171,4	1,4	P - 63 3 149,1	T 71A2	4,0	
18,8	149,1	175,1	1,4	P - 63 3 149,1	T 63C2	4,0	
18,7	152,8	175,6	3,1	P L 65 3 152,8	T 71A2	8,0	
18,7	152,9	175,6	1,3	P L 45 3 152,9	T 71A2	6,5	
18,6	50,5	180,3	2,6	P - 71 2 50,5	T 80A6	7,5	
18,5	154,8	177,8	2,4	P - 71 3 154,8	T 71A2	5,4	
18,5	50,9	181,7	2,1	P - 80 2 50,87	T 80A6	7,5	
18,4	74,4	178,5	3,4	P L 65 3 74,4	T 71B4	8,0	
18,3	152,8	179,4	3,0	P L 65 3 152,8	T 63C2	8,0	
18,2	75,4	180,9	2,5	P - 71 3 75,4	T 71B4	5,4	
18,2	75,4	181,0	1,4	P - 63 3 75,4	T 71B4	4,0	
18,1	154,8	181,8	2,3	P - 71 3 154,8	T 63C2	5,4	
18,0	50,5	186,2	2,5	P - 71 2 50,5	T 71C6	7,5	
18,0	74,4	182,4	3,3	P L 65 3 74,4	T 63D4	8,0	
17,8	52,8	184,7	1,5	P L 45 3 52,8	T 80A6	6,5	
17,8	75,4	185,0	2,5	P - 71 3 75,4	T 63D4	5,4	
17,8	75,4	185,0	1,4	P - 63 3 75,4	T 63D4	4,0	
17,6	53,3	186,5	1,4	P - 63 3 53,3	T 80A6	4,0	



HIGH TECH *line* Motion

P ₁ Input Power kW	n ₂ Output speed min ⁻¹	IR ratio -	T ₂ Ouput torque Nm	FS' Service Factor -			P _{tn} Thermal capacity kW
	17.6	53.5	187.0	2.5	P - 71 3 53.5	T 80A6	5.4
	17.5	163.2	187.5	2.2	P - 71 3 163.2	T 71A2	5.4
	17.4	164.7	189.3	1.3	P - 63 3 164.7	T 71A2	4.0
	17.3	54.3	189.8	3.4	P L 65 3 54.3	T 80A6	8.0
	17.2	52.8	190.6	1.4	P L 45 3 52.8	T 71C6	6.5
	17.2	163.2	191.6	2.2	P - 71 3 163.2	T 63C2	5.4
	17.1	53.3	192.6	1.3	P - 63 3 53.3	T 71C6	4.0
	17.0	53.5	193.2	2.4	P - 71 3 53.5	T 71C6	5.4
	17.0	164.7	193.5	1.2	P - 63 3 164.7	T 63C2	4.0
	16.9	55.5	198.0	1.9	P - 80 2 55.49	T 80A6	7.5
	16.8	81.4	195.1	1.3	P - 63 3 81.4	T 71B4	4.0
	16.8	54.3	196.0	3.3	P L 65 3 54.3	T 71C6	8.0
	16.5	81.4	199.8	1.3	P - 63 3 81.4	T 63D4	4.0
	16.4	57.2	199.9	1.3	P - 63 3 57.2	T 80A6	4.0
	16.3	175.4	201.4	2.7	P L 65 3 175.4	T 71A2	8.0
	16.0	85.4	204.8	2.9	P L 65 3 85.4	T 71B4	8.0
	16.0	85.7	205.6	1.2	P L 45 3 85.7	T 71B4	6.5
	16.0	175.4	206.0	2.6	P L 65 3 175.4	T 63C2	8.0
	15.9	57.2	206.5	1.2	P - 63 3 57.2	T 71C6	4.0
	15.8	86.8	208.3	2.2	P - 71 3 86.8	T 71B4	5.4
	15.8	181.3	208.5	1.2	P - 63 3 181.3	T 71A2	4.0
	15.7	85.4	209.4	2.9	P L 65 3 85.4	T 63D4	8.0
	15.6	60.1	210.3	1.3	P L 45 3 60.1	T 80A6	6.5
	15.5	88.4	212.2	1.2	P - 63 3 88.4	T 71B4	4.0
	15.5	60.8	212.5	2.2	P - 71 3 60.8	T 80A6	5.4
	15.4	86.8	212.8	2.2	P - 71 3 86.8	T 63D4	5.4
	15.4	181.3	212.9	1.1	P - 63 3 181.3	T 63C2	4.0
	15.2	61.8	220.7	1.7	P - 80 2 61.79	T 80A6	7.5
	15.2	61.8	215.9	1.2	P - 63 3 61.8	T 80A6	4.0
	15.2	88.4	216.6	1.2	P - 63 3 88.4	T 63D4	4.0
	15.1	60.1	217.2	1.2	P L 45 3 60.1	T 71C6	6.5
	15.1	188.9	216.8	1.0	P L 45 3 188.9	T 71A2	6.5
	15.0	60.8	219.6	2.1	P - 71 3 60.8	T 71C6	5.4
	15.0	91.5	219.6	2.1	P - 71 3 91.5	T 71B4	5.4
	14.9	191.6	220.2	2.0	P - 71 3 191.6	T 71A2	5.4
	14.7	61.8	223.0	1.1	P - 63 3 61.8	T 71C6	4.0
	14.6	64.2	224.4	2.1	P - 71 3 64.2	T 80A6	5.4
	14.6	91.5	224.5	2.0	P - 71 3 91.5	T 63D4	5.4
	14.6	191.6	225.0	2.0	P - 71 3 191.6	T 63C2	5.4
	14.6	64.4	225.0	2.9	P L 65 3 64.4	T 80A6	8.0
	14.5	197.9	227.3	2.4	P L 65 3 197.9	T 71A2	8.0
	14.2	201.0	230.9	3.9	P - 90 3 201	T 71A2	7.5
	14.2	64.2	231.9	2.0	P - 71 3 64.2	T 71C6	5.4
	14.2	197.9	232.3	2.3	P L 65 3 197.9	T 63C2	8.0
	14.1	64.4	232.6	2.8	P L 65 3 64.4	T 71C6	8.0
	13.9	98.9	237.2	1.1	P - 63 3 98.9	T 71B4	4.0
	13.8	99.0	237.4	2.5	P L 65 3 99	T 71B4	8.0
	13.8	99.3	238.0	1.9	P - 71 3 99.3	T 71B4	5.4
	13.6	100.6	241.2	3.8	P - 90 3 100.6	T 71B4	7.5
	13.6	100.7	241.5	1.0	P L 45 3 100.7	T 71B4	6.5
	13.6	98.9	242.8	1.0	P - 63 3 98.9	T 63D4	4.0
	13.5	99.0	242.6	2.5	P L 65 3 99	T 63D4	8.0
	13.5	69.6	243.4	1.0	P - 63 3 69.6	T 80A6	4.0
	13.5	99.3	243.5	1.9	P - 71 3 99.3	T 63D4	5.4
	13.3	70.6	246.9	3.8	P - 90 3 70.6	T 80A6	7.5
	13.3	70.6	246.7	1.1	P L 45 3 70.6	T 80A6	6.5
	13.2	216.9	249.4	1.0	P - 63 3 216.9	T 71A2	4.0
	13.1	69.6	251.4	1.0	P - 63 3 69.6	T 71C6	4.0
	13.0	220.8	253.8	1.8	P - 71 3 220.8	T 71A2	5.4
	12.9	216.9	254.4	0.9	P - 63 3 216.9	T 63C2	4.0
	12.9	70.6	254.8	3.7	P - 90 3 70.6	T 71C6	7.5
	12.9	70.6	254.8	1.1	P L 45 3 70.6	T 71C6	6.5
	12.8	107.1	256.9	1.0	P L 45 3 107.1	T 71B4	6.5
	12.8	224.4	257.8	3.5	P - 90 3 224.4	T 71A2	7.5
	12.7	107.5	257.9	1.8	P - 71 3 107.5	T 71B4	5.4
	12.7	220.8	259.3	1.7	P - 71 3 220.8	T 63C2	5.4
	12.6	74.4	260.3	2.5	P L 65 3 74.4	T 80A6	8.0
	12.6	108.9	261.2	3.5	P - 90 3 108.9	T 71B4	7.5
	12.5	75.4	263.5	1.8	P - 71 3 75.4	T 80A6	5.4
	12.5	107.5	263.5	1.7	P - 71 3 107.5	T 63D4	5.4
	12.5	75.4	263.5	1.0	P - 63 3 75.4	T 80A6	4.0
	12.3	232.0	266.8	0.8	P L 45 3 232	T 71A2	6.5
	12.3	76.3	266.7	3.5	P - 90 3 76.3	T 80A6	7.5
	12.2	74.4	268.7	2.4	P L 65 3 74.4	T 71C6	8.0
	12.1	75.4	272.1	1.7	P - 71 3 75.4	T 71C6	5.4
	12.1	75.4	271.9	0.9	P - 63 3 75.4	T 71C6	4.0
	12.0	114.4	274.5	0.9	P - 63 3 114.4	T 71B4	4.0
	11.9	76.3	275.5	3.4	P - 90 3 76.3	T 71C6	7.5
	11.8	116.2	278.9	2.2	P L 65 3 116.2	T 71B4	8.0
	11.7	114.4	280.3	0.9	P - 63 3 114.4	T 63D4	4.0
	11.6	81.4	284.2	0.9	P - 63 3 81.4	T 80A6	4.0
	11.5	116.2	285.0	2.1	P L 65 3 116.2	T 63D4	8.0
	11.4	82.8	289.4	3.3	P - 90 3 82.8	T 80A6	7.5
	11.3	253.2	290.8	3.1	P - 90 3 253.2	T 71A2	7.5
	11.2	81.4	293.9	0.9	P - 63 3 81.4	T 71C6	4.0
	11.1	123.8	297.0	1.5	P - 71 3 123.8	T 71B4	5.4
	11.0	85.4	298.4	2.2	P L 65 3 85.4	T 80A6	8.0
	11.0	82.8	299.1	3.2	P - 90 3 82.8	T 71C6	7.5
	11.0	85.7	300.0	0.9	P L 45 3 85.7	T 80A6	6.5
	11.0	125.0	299.8	3.0	P - 90 3 125	T 71B4	7.5
	10.8	86.8	303.5	1.5	P - 71 3 86.8	T 80A6	5.4
	10.8	123.8	303.9	1.5	P - 71 3 123.8	T 63D4	5.4
	10.7	85.4	308.3	2.1	P L 65 3 85.4	T 71C6	8.0
	10.6	88.4	309.4	0.8	P - 63 3 88.4	T 80A6	4.0
	10.6	85.7	309.3	0.9	P L 45 3 85.7	T 71C6	6.5

0,37





P ₁ Input Power kW	n ₂ Output speed min ⁻¹	IR ratio -	T2 Ouput torque Nm	FS' Service Factor -	 GEAR	 EU	P _{tn} Thermal capacity kW
	10,6	270,0	310,2	3,5	P L 85 3 270	T 71A2	11,0
	10,5	86,8	313,3	1,5	P - 71 3 86,8	T 71C6	5,4
	10,3	132,7	319,0	0,8	P L 45 3 132,7	T 71B4	6,5
	10,3	88,4	319,0	0,8	P - 63 3 88,4	T 71C6	4,0
	10,3	91,5	320,3	1,5	P - 71 3 91,5	T 80A6	5,4
	10,2	134,3	322,3	1,4	P - 71 3 134,3	T 71B4	5,4
	10,1	135,4	324,6	0,8	P - 63 3 135,4	T 71B4	4,0
	10,1	93,3	325,9	2,9	P - 90 3 93,3	T 80A6	7,5
	10,0	136,8	328,4	3,7	P L 85 3 136,8	T 71B4	11,0
	10,0	134,3	329,2	1,4	P - 71 3 134,3	T 63D4	5,4
	10,0	91,5	330,0	1,4	P - 71 3 91,5	T 71C6	5,4
	9,9	135,4	331,5	0,8	P - 63 3 135,4	T 63D4	4,0
	9,9	138,8	332,8	1,8	P L 65 3 138,8	T 71B4	8,0
	9,8	93,3	337,2	2,8	P - 90 3 93,3	T 71C6	7,5
	9,7	141,0	338,1	2,7	P - 90 3 141	T 71B4	7,5
	9,7	138,8	340,5	1,8	P L 65 3 138,8	T 63D4	8,0
	9,6	98,0	342,6	3,8	P L 85 3 98	T 80A6	11,0
	9,5	98,9	346,4	0,7	P - 63 3 98,9	T 80A6	4,0
	9,5	99,0	346,0	1,9	P L 65 3 99	T 80A6	8,0
	9,5	99,3	347,1	1,4	P - 71 3 99,3	T 80A6	5,4
	9,3	100,6	351,8	2,7	P - 90 3 100,6	T 80A6	7,5
	9,3	100,7	351,8	0,8	P L 45 3 100,7	T 80A6	6,5
	9,3	98,0	353,7	3,7	P L 85 3 98	T 71C6	11,0
	9,2	98,9	357,1	0,7	P - 63 3 98,9	T 71C6	4,0
	9,2	99,0	357,4	1,8	P L 65 3 99	T 71C6	8,0
	9,2	149,1	357,1	0,7	P - 63 3 149,1	T 71B4	4,0
	9,2	99,3	358,6	1,3	P - 71 3 99,3	T 71C6	5,4
	9,1	100,6	363,1	2,6	P - 90 3 100,6	T 71C6	7,5
	9,0	100,7	363,3	0,7	P L 45 3 100,7	T 71C6	6,5
	9,0	152,8	366,3	1,6	P L 65 3 152,8	T 71B4	8,0
	8,9	154,8	371,6	1,2	P - 71 3 154,8	T 71B4	5,4
	8,8	155,2	372,0	2,4	P - 90 3 155,2	T 71B4	7,5
	8,8	107,1	374,2	0,7	P L 45 3 107,1	T 80A6	6,5
	8,8	152,8	375,0	1,6	P L 65 3 152,8	T 63D4	8,0
	8,7	107,5	375,6	1,3	P - 71 3 107,5	T 80A6	5,4
	8,7	154,8	379,1	1,2	P - 71 3 154,8	T 63D4	5,4
	8,6	108,9	380,9	2,5	P - 90 3 108,9	T 80A6	7,5
	8,6	160,0	383,8	3,1	P L 85 3 160	T 71B4	11,0
	8,5	107,5	388,2	1,2	P - 71 3 107,5	T 71C6	5,4
	8,4	163,2	391,3	1,2	P - 71 3 163,2	T 71B4	5,4
	8,4	108,9	392,9	2,4	P - 90 3 108,9	T 71C6	7,5
	8,3	113,5	396,9	3,3	P L 85 3 113,5	T 80A6	11,0
	8,2	163,2	400,5	1,1	P - 71 3 163,2	T 63D4	5,4
	8,1	116,2	406,3	1,6	P L 65 3 116,2	T 80A6	8,0
	8,0	113,5	409,7	3,2	P L 85 3 113,5	T 71C6	11,0
	7,8	116,2	419,7	1,5	P L 65 3 116,2	T 71C6	8,0
	7,8	175,4	420,5	1,4	P L 65 3 175,4	T 71B4	8,0
	7,7	178,1	427,3	2,1	P - 90 3 178,1	T 71B4	7,5
	7,6	175,4	430,2	1,4	P L 65 3 175,4	T 63D4	8,0
	7,6	123,8	433,2	1,1	P - 71 3 123,8	T 80A6	5,4
	7,5	125,0	437,1	2,2	P - 90 3 125	T 80A6	7,5
	7,4	184,6	442,7	2,7	P L 85 3 184,6	T 71B4	11,0
	7,4	123,8	447,4	1,1	P - 71 3 123,8	T 71C6	5,4
	7,3	125,0	451,2	2,1	P - 90 3 125	T 71C6	7,5
	7,2	191,6	460,2	1,1	P - 71 3 191,6	T 71B4	5,4
	7,0	134,3	469,7	1,0	P - 71 3 134,3	T 80A6	5,4
	7,0	191,6	469,7	1,0	P - 71 3 191,6	T 63D4	5,4
	6,9	197,9	475,4	1,3	P L 65 3 197,9	T 71B4	8,0
	6,9	136,8	478,1	2,7	P L 85 3 136,8	T 80A6	11,0
	6,8	201,0	481,7	1,9	P - 90 3 201	T 71B4	7,5
	6,8	134,3	484,8	1,0	P - 71 3 134,3	T 71C6	5,4
	6,8	138,8	485,9	1,3	P L 65 3 138,8	T 80A6	8,0
	6,8	197,9	485,8	1,2	P L 65 3 197,9	T 63D4	8,0
	6,7	204,1	489,5	2,5	P L 85 3 204,1	T 71B4	11,0
	6,7	141,0	492,5	1,9	P - 90 3 141	T 80A6	7,5
	6,7	136,8	494,3	2,6	P L 85 3 136,8	T 71C6	11,0
	6,6	138,8	501,0	1,3	P L 65 3 138,8	T 71C6	8,0
	6,5	141,0	509,7	1,9	P - 90 3 141	T 71C6	7,5
	6,4	214,0	513,3	2,3	P L 85 3 214	T 71B4	11,0
	6,4	148,0	517,4	3,6	P - 112 3 148	T 80A6	11,8
	6,2	220,8	530,1	0,9	P - 71 3 220,8	T 71B4	5,4
	6,2	152,8	534,4	1,2	P L 65 3 152,8	T 80A6	8,0
	6,1	224,4	537,9	1,7	P - 90 3 224,4	T 71B4	7,5
	6,1	154,8	540,9	0,9	P - 71 3 154,8	T 80A6	5,4
	6,1	220,8	540,9	0,9	P - 71 3 220,8	T 63D4	5,4
	6,1	155,2	542,1	1,7	P - 90 3 155,2	T 80A6	7,5
	6,0	152,8	551,6	1,2	P L 65 3 152,8	T 71C6	8,0
	5,9	160,0	558,7	2,3	P L 85 3 160	T 80A6	11,0
	5,9	154,8	558,9	0,9	P - 71 3 154,8	T 71C6	5,4
	5,9	155,2	560,3	1,7	P - 90 3 155,2	T 71C6	7,5
	5,9	234,0	562,0	2,1	P L 85 3 234	T 71B4	11,0
	5,8	163,2	570,2	0,8	P - 71 3 163,2	T 80A6	5,4
	5,7	160,0	577,4	2,3	P L 85 3 160	T 71C6	11,0
	5,6	167,0	583,7	3,2	P - 112 3 167	T 80A6	11,8
	5,6	163,2	589,5	0,8	P - 71 3 163,2	T 71C6	5,4
	5,4	253,2	607,8	1,5	P - 90 3 253,2	T 71B4	7,5
	5,4	175,4	613,5	1,1	P L 65 3 175,4	T 80A6	8,0
	5,3	178,1	622,2	1,5	P - 90 3 178,1	T 80A6	7,5
	5,2	175,4	632,9	1,0	P L 65 3 175,4	T 71C6	8,0
	5,1	178,1	642,7	1,5	P - 90 3 178,1	T 71C6	7,5
	5,1	184,6	645,6	2,0	P L 85 3 184,6	T 80A6	11,0
	5,1	270,0	648,2	1,9	P L 85 3 270	T 71B4	11,0
	5,0	187,1	654,4	3,7	P L 95 3 187,1	T 80A6	16,0
	4,9	184,6	666,2	2,0	P L 85 3 184,6	T 71C6	11,0
	4,9	191,5	669,5	2,8	P - 112 3 191,5	T 80A6	11,8

0,37



0.37
kW

HIGH TECH *line* Motion

P₁ Input Power kW	n₂ Output speed min ⁻¹	IR ratio -	T₂ Output torque Nm	FS' Service Factor -	 GEAR	 EU	P_{tn} Thermal capacity kW
	4.9	191.6	670.4	0.8	P - 71 3 191.6	T 80A6	5.4
	4.8	197.9	691.1	0.9	P L 65 3 197.9	T 80A6	8.0
	4.8	191.6	692.1	0.8	P - 71 3 191.6	T 71C6	5.4
	4.7	199.5	697.6	3.4	P L 95 3 199.5	T 80A6	16.0
	4.7	201.0	702.1	1.3	P - 90 3 201	T 80A6	7.5
	4.6	204.1	712.6	1.8	P L 85 3 204.1	T 80A6	11.0
	4.6	197.9	713.6	0.9	P L 65 3 197.9	T 71C6	8.0
	4.5	201.0	725.4	1.3	P - 90 3 201	T 71C6	7.5
	4.5	204.1	736.6	1.8	P L 85 3 204.1	T 71C6	11.0
	4.4	214.0	748.1	1.7	P L 85 3 214	T 80A6	11.0
	4.3	220.9	771.5	2.4	P - 112 3 220.9	T 80A6	11.8
	4.3	221.3	773.5	3.1	P L 95 3 221.3	T 80A6	16.0
	4.3	214.0	773.3	1.7	P L 85 3 214	T 71C6	11.0
	4.2	224.4	784.0	1.2	P - 90 3 224.4	T 80A6	7.5
	4.1	224.4	809.4	1.2	P - 90 3 224.4	T 71C6	7.5
	4.0	234.0	818.0	1.6	P L 85 3 234	T 80A6	11.0
	4.0	724.6	805.0	3.5	P E 125 724.6	T 71A2	10.5
	3.9	350.3	813.5	3.3	P E 125 350.27	T 71B4	10.5
	3.9	241.0	842.9	2.3	P - 112 3 241	T 80A6	11.8
	3.9	234.0	845.3	1.5	P L 85 3 234	T 71C6	11.0
	3.9	243.2	848.9	2.8	P L 95 3 243.2	T 80A6	16.0
	3.9	724.6	824.2	3.4	P E 125 724.6	T 63C2	10.5
	3.8	350.3	830.4	3.3	P E 125 350.27	T 63D4	10.5
	3.7	253.2	885.2	1.1	P - 90 3 253.2	T 80A6	7.5
	3.7	780.3	866.8	3.7	P E 125 780.26	T 71A2	10.5
	3.6	251.2	878.6	4.0	P E 125 251.17	T 71C6	10.5
	3.6	780.3	885.6	3.6	P E 125 780.26	T 63C2	10.5
	3.6	253.2	915.3	1.0	P - 90 3 253.2	T 71C6	7.5
	3.6	383.9	890.6	3.9	P E 125 383.88	T 71B4	10.5
	3.5	266.2	930.8	2.6	P L 95 3 266.2	T 80A6	16.0
	3.5	817.4	908.8	3.9	P E 132 817.42	T 71A2	12.0
	3.5	383.9	911.3	3.8	P E 125 383.88	T 63D4	10.5
	3.5	270.0	945.0	1.4	P L 85 3 270	T 80A6	11.0
	3.4	273.5	924.3	3.5	P E 125 273.48	T 80A6	10.5
	3.4	817.4	927.0	3.8	P E 132 817.42	T 63C2	12.0
	3.4	278.1	972.3	2.0	P - 112 3 278.1	T 80A6	11.8
	3.4	270.0	975.7	1.3	P L 85 3 270	T 71C6	11.0
	3.3	273.5	954.8	3.4	P E 125 273.48	T 71C6	10.5
	3.3	416.3	966.4	3.6	P E 125 416.28	T 71B4	10.5
	3.2	416.3	987.8	3.5	P E 125 416.28	T 63D4	10.5
	3.2	286.5	1000.0	4.0	P E 132 286.51	T 71C6	12.0
	3.2	905.7	1006.2	3.5	P E 132 905.66	T 71A2	12.0
	3.2	904.3	1006.3	3.0	P E 125 904.27	T 71A2	10.5
	3.1	439.7	1019.3	3.9	P E 132 439.72	T 71B4	12.0
	3.1	904.3	1025.9	2.9	P E 125 904.27	T 63C2	10.5
	3.1	905.7	1029.4	3.4	P E 132 905.66	T 63C2	12.0
	3.1	439.7	1043.0	3.8	P E 132 439.72	T 63D4	12.0
	3.1	307.7	1042.7	3.4	P E 125 307.71	T 80A6	10.5
	3.0	316.6	1070.9	3.7	P E 132 316.62	T 80A6	12.0
	3.0	461.9	1071.1	3.3	P E 125 461.93	T 71B4	10.5
	3.0	307.7	1074.7	3.3	P E 125 307.71	T 71C6	10.5
	2.9	461.9	1096.5	3.2	P E 125 461.93	T 63D4	10.5
	2.9	316.6	1107.8	3.6	P E 132 316.62	T 71C6	12.0
	2.8	483.9	1123.8	3.6	P E 132 483.92	T 71B4	12.0
	2.8	483.9	1148.2	3.5	P E 132 483.92	T 63D4	12.0
	2.7	350.3	1186.5	2.3	P E 125 350.27	T 80A6	10.5
	2.7	352.5	1190.7	3.4	P E 132 352.46	T 80A6	12.0
	2.6	519.6	1204.7	2.9	P E 125 519.6	T 71B4	10.5
	2.6	524.8	1218.1	3.3	P E 132 524.76	T 71B4	12.0
	2.6	350.3	1222.8	2.2	P E 125 350.27	T 71C6	10.5
	2.6	352.5	1232.3	3.2	P E 132 352.46	T 71C6	12.0
	2.6	519.6	1232.2	2.8	P E 125 519.6	T 63D4	10.5
	2.6	524.8	1246.8	3.2	P E 132 524.76	T 63D4	12.0
	2.5	543.9	1261.7	3.2	P E 132 543.89	T 71B4	12.0
	2.5	543.9	1292.6	3.1	P E 132 543.89	T 63D4	12.0
	2.5	383.9	1297.6	2.7	P E 125 383.88	T 80A6	10.5
	2.4	1175.0	1308.3	1.9	P E 125 1175.04	T 71A2	10.5
	2.4	387.9	1314.4	3.0	P E 132 387.9	T 80A6	12.0
	2.4	1175.0	1336.7	1.9	P E 125 1175.04	T 63C2	10.5
	2.4	383.9	1342.0	2.6	P E 125 383.88	T 71C6	10.5
	2.4	580.5	1348.0	2.2	P E 125 580.52	T 71B4	10.5
	2.4	387.9	1352.8	3.0	P E 132 387.9	T 71C6	12.0
	2.3	580.5	1377.4	2.1	P E 125 580.52	T 63D4	10.5
	2.3	595.2	1383.2	2.9	P E 132 595.18	T 71B4	12.0
	2.3	416.3	1407.6	2.5	P E 125 416.28	T 80A6	10.5
	2.3	595.2	1413.6	2.8	P E 132 595.18	T 63D4	12.0
	2.2	1294.8	1439.5	3.8	P E 150 1294.77	T 71A2	16.0
	2.2	416.3	1451.8	2.4	P E 125 416.28	T 71C6	10.5
	2.2	625.2	1451.8	2.4	P E 125 625.23	T 71B4	10.5
	2.2	1294.8	1472.4	3.7	P E 150 1294.77	T 63C2	16.0
	2.1	439.7	1485.9	2.7	P E 132 439.72	T 80A6	12.0
	2.1	625.2	1486.8	2.4	P E 125 625.23	T 63D4	10.5
	2.1	648.4	1507.6	2.3	P E 125 648.43	T 71B4	10.5
	2.1	655.0	1521.1	2.6	P E 132 655.01	T 71B4	12.0
	2.1	643.2	1528.9	3.9	P E 150 643.23	T 63D4	16.0
	2.1	439.7	1536.9	2.6	P E 132 439.72	T 71C6	12.0
	2.1	648.4	1536.2	2.3	P E 125 648.43	T 63D4	10.5
	2.1	458.3	1551.4	3.9	P E 150 458.31	T 80A6	16.0
	2.1	655.0	1551.4	2.6	P E 132 655.01	T 63D4	12.0
	2.0	461.9	1565.9	2.2	P E 125 461.93	T 80A6	10.5
	2.0	1424.9	1581.9	3.4	P E 150 1424.94	T 71A2	16.0
	2.0	458.3	1598.3	3.8	P E 150 458.31	T 71C6	16.0
	2.0	461.9	1614.7	2.2	P E 125 461.93	T 71C6	10.5
	2.0	697.5	1622.8	3.7	P E 150 697.51	T 71B4	16.0
	2.0	1424.9	1623.1	3.3	P E 150 1424.94	T 63C2	16.0

0,37





P ₁ Input Power kW	n ₂ Output speed min ⁻¹	IR ratio -	T2 Ouput torque Nm	FS' Service Factor -	 GEAR	 EU	P _{tn} Thermal capacity kW
0,37	1,9	483,9	1639,0	2,4	P E 132 483,92	T 80A6	12,0
	1,9	697,5	1656,7	3,6	P E 150 697,51	T 63D4	16,0
	1,9	724,6	1681,8	1,8	P E 125 724,6	T 71B4	10,5
	1,9	483,9	1691,4	2,4	P E 132 483,92	T 71C6	12,0
	1,9	501,5	1701,1	3,5	P E 150 501,52	T 80A6	16,0
	1,9	724,6	1718,3	1,7	P E 125 724,6	T 63D4	10,5
	1,8	743,0	1729,0	3,5	P E 150 743,02	T 71B4	16,0
	1,8	742,8	1729,0	2,3	P E 132 742,75	T 71B4	12,0
	1,8	501,5	1756,3	3,4	P E 150 501,52	T 71C6	16,0
	1,8	1578,8	1757,3	3,1	P E 150 1578,76	T 71A2	16,0
	1,8	519,6	1757,1	2,0	P E 125 519,6	T 80A6	10,5
	1,8	743,0	1766,1	3,4	P E 150 743,02	T 63D4	16,0
	1,8	742,8	1766,1	2,3	P E 132 742,75	T 63D4	12,0
	1,8	766,5	1776,0	3,4	P E 150 766,52	T 71B4	16,0
	1,8	524,8	1776,7	2,3	P E 132 524,76	T 80A6	12,0
	1,8	1578,8	1796,8	3,0	P E 150 1578,76	T 63C2	16,0
	1,8	780,3	1806,1	1,9	P E 125 780,26	T 71B4	10,5
	1,8	766,5	1816,7	3,3	P E 150 766,52	T 63D4	16,0
	1,8	519,6	1816,3	1,9	P E 125 519,6	T 71C6	10,5
	1,7	524,8	1838,5	2,2	P E 132 524,76	T 71C6	12,0
	1,7	543,9	1838,5	2,2	P E 132 543,89	T 80A6	12,0
	1,7	780,3	1850,0	1,9	P E 125 780,26	T 63D4	10,5
	1,7	549,0	1859,3	3,2	P E 150 548,95	T 80A6	16,0
	1,7	817,4	1892,6	2,1	P E 132 817,42	T 71B4	12,0
	1,7	543,9	1904,8	2,1	P E 132 543,89	T 71C6	12,0
	1,7	549,0	1915,4	3,1	P E 150 548,95	T 71C6	16,0
	1,7	831,2	1927,1	3,1	P E 150 831,21	T 71B4	16,0
	1,6	817,4	1939,7	2,1	P E 132 817,42	T 63D4	12,0
	1,6	580,5	1961,6	1,5	P E 125 580,52	T 80A6	10,5
	1,6	831,2	1975,1	3,0	P E 150 831,21	T 63D4	16,0
	1,6	595,3	2012,7	3,0	P E 150 595,28	T 80A6	16,0
	1,6	595,2	2013,6	2,0	P E 132 595,18	T 80A6	12,0
	1,6	870,6	2025,5	3,0	P E 150 870,64	T 71B4	16,0
	1,6	580,5	2024,5	1,4	P E 125 580,52	T 71C6	10,5
	1,5	870,6	2065,1	2,9	P E 150 870,64	T 63D4	16,0
	1,5	595,3	2078,7	2,9	P E 150 595,28	T 71C6	16,0
	1,5	595,2	2078,7	1,9	P E 132 595,18	T 71C6	12,0
	1,5	904,3	2091,9	1,5	P E 125 904,27	T 71B4	10,5
	1,5	905,7	2105,3	1,9	P E 132 905,66	T 71B4	12,0
	1,5	625,2	2119,5	1,7	P E 125 625,23	T 80A6	10,5
	1,5	905,7	2148,0	1,9	P E 132 905,66	T 63D4	12,0
	1,5	904,3	2148,8	1,5	P E 125 904,27	T 63D4	10,5
	1,5	643,2	2178,6	2,8	P E 150 643,23	T 80A6	16,0
	1,5	625,2	2176,5	1,6	P E 125 625,23	T 71C6	10,5
	1,5	648,4	2194,9	1,6	P E 125 648,43	T 80A6	10,5
	1,4	948,1	2209,0	2,7	P E 150 948,12	T 71B4	16,0
	1,4	655,0	2209,0	1,8	P E 132 655,01	T 80A6	12,0
	1,4	643,2	2256,1	2,7	P E 150 643,23	T 71C6	16,0
	1,4	948,1	2256,1	2,7	P E 150 948,12	T 63D4	16,0
	1,4	649,0	2271,5	4,0	P E 170 649	T 71C6	21,0
1,4	981,4	2271,5	4,0	P E 170 981,35	T 71B4	21,0	
1,4	648,4	2271,9	1,5	P E 125 648,43	T 71C6	10,5	
1,4	655,0	2287,5	1,7	P E 132 655,01	T 71C6	12,0	
1,4	981,4	2320,6	3,9	P E 170 981,35	T 63D4	21,0	
1,4	697,9	2355,0	3,8	P E 170 697,85	T 80A6	21,0	
1,4	697,5	2356,7	2,5	P E 150 697,51	T 80A6	16,0	
1,3	1037,5	2410,4	2,5	P E 150 1037,52	T 71B4	16,0	
1,3	697,9	2446,7	3,7	P E 170 697,85	T 71C6	21,0	
1,3	697,5	2444,9	2,5	P E 150 697,51	T 71C6	16,0	
1,3	724,6	2444,9	1,2	P E 125 724,6	T 80A6	10,5	
1,3	1064,2	2464,8	3,7	P E 170 1064,22	T 71B4	21,0	
1,3	1037,5	2463,9	2,4	P E 150 1037,52	T 63D4	16,0	
1,3	743,0	2502,8	2,4	P E 150 743,02	T 80A6	16,0	
1,3	742,8	2504,2	1,6	P E 132 742,75	T 80A6	12,0	
1,3	1064,2	2524,6	3,6	P E 170 1064,22	T 63D4	21,0	
1,3	724,6	2522,7	1,2	P E 125 724,6	T 71C6	10,5	
1,2	756,8	2565,5	3,5	P E 170 756,78	T 80A6	21,0	
1,2	766,5	2584,4	2,3	P E 150 766,52	T 80A6	16,0	
1,2	742,8	2587,4	1,5	P E 132 742,75	T 71C6	12,0	
1,2	743,0	2605,6	2,3	P E 150 743,02	T 71C6	16,0	
1,2	756,8	2649,2	3,4	P E 170 756,78	T 71C6	21,0	
1,2	780,3	2648,3	1,3	P E 125 780,26	T 80A6	10,5	
1,2	766,5	2671,5	2,2	P E 150 766,52	T 71C6	16,0	
1,2	1158,9	2694,2	3,3	P E 170 1158,92	T 71B4	21,0	
1,2	780,3	2720,6	1,3	P E 125 780,26	T 71C6	10,5	
1,2	1175,0	2714,7	1,0	P E 125 1175,04	T 71B4	10,5	
1,2	811,3	2740,7	3,3	P E 170 811,25	T 80A6	21,0	
1,2	1158,9	2740,7	3,3	P E 170 1158,92	T 63D4	21,0	
1,2	1183,2	2740,7	2,2	P E 150 1183,21	T 71B4	16,0	
1,2	817,4	2766,4	1,4	P E 132 817,42	T 80A6	12,0	
1,1	1175,0	2790,5	1,0	P E 125 1175,04	T 63D4	10,5	
1,1	1183,2	2813,7	2,1	P E 150 1183,21	T 63D4	16,0	
1,1	831,2	2813,7	2,1	P E 150 831,21	T 80A6	16,0	
1,1	811,3	2838,9	3,2	P E 170 811,25	T 71C6	21,0	
1,1	817,4	2862,7	1,4	P E 132 817,42	T 71C6	12,0	
1,1	831,2	2917,2	2,1	P E 150 831,21	T 71C6	16,0	
1,1	1268,2	2944,3	3,1	P E 170 1268,2	T 71B4	21,0	
1,1	870,6	2944,3	2,0	P E 150 870,64	T 80A6	16,0	
1,1	879,8	2973,2	3,0	P E 170 879,75	T 80A6	21,0	
1,1	1268,2	3000,0	3,0	P E 170 1268,2	T 63D4	21,0	
1,1	1294,8	3000,0	2,0	P E 150 1294,77	T 71B4	16,0	
1,1	870,6	3028,6	2,0	P E 150 870,64	T 71C6	16,0	
1,0	905,7	3057,9	1,3	P E 132 905,66	T 80A6	12,0	
1,0	904,3	3059,4	1,0	P E 125 904,27	T 80A6	10,5	
0,37	1,0	879,8	3086,2	2,9	P E 170 879,75	T 71C6	21,0



0.37
kW

HIGH TECH *line* Motion



P₁ Input Power kW	n₂ Output speed min ⁻¹	IR ratio -	T₂ Output torque Nm	FS' Service Factor -	 GEAR	 EU	P_{tn} Thermal capacity kW
0,37	1,0	1294,8	3087,6	1,9	P E 150 1294,77	T 63D4	16,0
	1,0	904,3	3148,9	1,0	P E 125 904,27	T 71C6	10,5
	1,0	905,7	3182,8	1,3	P E 132 905,66	T 71C6	12,0
	1,0	948,1	3212,7	1,9	P E 150 948,12	T 80A6	16,0
	1,0	958,0	3245,6	3,9	P E 190 958,04	T 80A6	27,0
	1,0	1395,7	3245,6	3,9	P E 190 1395,69	T 71B4	27,0
	1,0	1395,7	3245,6	2,8	P E 170 1395,69	T 71B4	21,0
	1,0	1395,7	3313,0	3,8	P E 190 1395,69	T 63D4	27,0
	1,0	1395,7	3313,4	2,7	P E 170 1395,69	T 63D4	21,0
	1,0	981,4	3313,4	2,7	P E 170 981,35	T 80A6	21,0
	1,0	948,1	3313,4	1,8	P E 150 948,12	T 71C6	16,0
	1,0	1424,9	3313,4	1,8	P E 150 1424,94	T 71B4	16,0
	1,0	958,0	3346,6	3,7	P E 190 958,04	T 71C6	27,0
	0,94	1424,9	3384,1	1,8	P E 150 1424,94	T 63D4	16,0
	0,93	981,4	3418,9	2,6	P E 170 981,35	T 71C6	21,0
	0,91	1037,5	3496,1	1,7	P E 150 1037,52	T 80A6	16,0
	0,89	1546,4	3574,2	3,5	P E 190 1546,36	T 71B4	27,0
	0,89	1546,4	3573,0	2,5	P E 170 1546,36	T 71B4	21,0
	0,88	1064,2	3613,3	3,5	P E 190 1064,22	T 80A6	27,0
	0,88	1064,2	3615,6	2,5	P E 170 1064,22	T 80A6	21,0
	0,88	1037,5	3615,6	1,7	P E 150 1037,52	T 71C6	16,0
	0,87	1546,4	3656,1	3,4	P E 190 1546,36	T 63D4	27,0
	0,87	1546,4	3655,3	2,5	P E 170 1546,36	T 63D4	21,0
	0,87	1578,8	3657,3	1,6	P E 150 1578,76	T 71B4	16,0
	0,86	1064,2	3697,0	3,4	P E 190 1064,22	T 71C6	27,0
	0,86	1064,2	3695,9	2,4	P E 170 1064,22	T 71C6	21,0
	0,85	1578,8	3743,7	1,6	P E 150 1578,76	T 63D4	16,0
	0,81	1158,9	3926,1	3,2	P E 190 1158,92	T 80A6	27,0
	0,81	1158,9	3926,9	2,3	P E 170 1158,92	T 80A6	21,0
	0,79	1158,9	4025,2	3,1	P E 190 1158,92	T 71C6	27,0
	0,79	1158,9	4026,6	2,2	P E 170 1158,92	T 71C6	21,0
	0,79	1183,2	4029,0	1,5	P E 150 1183,21	T 80A6	16,0
	0,77	1183,2	4126,4	1,5	P E 150 1183,21	T 71C6	16,0
	0,74	1268,2	4298,3	2,9	P E 190 1268,2	T 80A6	27,0
	0,74	1268,2	4296,8	2,1	P E 170 1268,2	T 80A6	21,0
	0,73	1294,8	4352,9	1,4	P E 150 1294,77	T 80A6	16,0
	0,72	1268,2	4417,4	2,8	P E 190 1268,2	T 71C6	27,0
	0,72	1268,2	4416,4	2,0	P E 170 1268,2	T 71C6	21,0
	0,70	1294,8	4539,9	1,3	P E 150 1294,77	T 71C6	16,0
	0,67	1395,7	4748,5	2,6	P E 190 1395,69	T 80A6	27,0
	0,67	1395,7	4743,6	1,9	P E 170 1395,69	T 80A6	21,0
	0,66	1424,9	4815,6	1,2	P E 150 1424,94	T 80A6	16,0
	0,65	1395,7	4894,2	2,6	P E 190 1395,69	T 71C6	27,0
	0,65	1395,7	4889,9	1,8	P E 170 1395,69	T 71C6	21,0
	0,64	1424,9	4966,4	1,2	P E 150 1424,94	T 71C6	16,0
0,61	1546,4	5214,2	2,4	P E 190 1546,36	T 80A6	27,0	
0,61	1546,4	5211,3	1,7	P E 170 1546,36	T 80A6	21,0	
0,60	1578,8	5298,3	1,1	P E 150 1578,76	T 80A6	16,0	
0,59	1546,4	5390,4	2,3	P E 190 1546,36	T 71C6	27,0	
0,59	1546,4	5388,3	1,7	P E 170 1546,36	T 71C6	21,0	
0,58	1578,8	5481,5	1,1	P E 150 1578,76	T 71C6	16,0	



P ₁ Input Power kW	n ₂ Output speed min ⁻¹	IR ratio -	T2 Ouput torque Nm	FS' Service Factor -	 GEAR	 EU	P _{tn} Thermal capacity kW
0,55	166,3	17,2	29,4	3,1	P L 25 3 17,2	T 71B2	4,0
	140,2	20,4	34,8	2,6	P L 25 3 20,4	T 71B2	4,0
	120,2	23,8	40,6	2,2	P L 25 3 23,8	T 71B2	4,0
	104,4	27,4	46,8	1,9	P L 25 3 27,4	T 71B2	4,0
	90,2	31,7	55,3	4,0	P - 63 2 31,7	T 71B2	5,6
	89,4	32,0	54,6	1,6	P L 25 3 32	T 71B2	4,0
	83,1	17,2	58,8	1,7	P L 25 3 17,2	T 80A4	4,0
	81,4	17,2	60,0	1,7	P L 25 3 17,2	T 71C4	4,0
	78,1	36,6	63,9	3,5	P - 63 2 36,6	T 71B2	5,6
	77,5	36,9	63,1	1,4	P L 25 3 36,9	T 71B2	4,0
	72,2	19,8	69,1	3,6	P - 63 2 19,8	T 80A4	5,6
	70,7	19,8	70,6	3,5	P - 63 2 19,8	T 71C4	5,6
	70,6	40,5	70,7	3,1	P - 63 2 40,5	T 71B2	5,6
	70,1	20,4	69,7	1,4	P L 25 3 20,4	T 80A4	4,0
	69,9	40,9	69,8	3,2	P L 45 3 40,9	T 71B2	6,5
	69,8	20,5	71,5	3,2	P - 63 2 20,5	T 80A4	5,6
	68,9	13,5	72,4	3,5	P - 63 2 13,5	T 80B6	5,6
	68,6	20,4	71,2	1,4	P L 25 3 20,4	T 71C4	4,0
	68,3	20,5	73,1	3,1	P - 63 2 20,5	T 71C4	5,6
	67,1	42,6	72,8	1,2	P L 25 3 42,6	T 71B2	4,0
	65,9	43,4	74,1	3,0	P - 63 3 43,4	T 71B2	4,0
	64,6	14,4	77,3	3,0	P - 63 2 14,4	T 80B6	5,6
	63,3	45,2	78,9	2,8	P - 63 2 45,2	T 71B2	5,6
	62,6	45,7	78,1	2,9	P L 45 3 45,7	T 71B2	6,5
	60,9	47,0	80,3	2,5	P - 63 3 47	T 71B2	4,0
	60,1	23,8	81,4	1,2	P L 25 3 23,8	T 80A4	4,0
	59,3	24,1	84,1	2,7	P - 63 2 24,1	T 80A4	5,6
	58,8	23,8	83,1	1,2	P L 25 3 23,8	T 71C4	4,0
	58,1	24,1	85,9	2,7	P - 63 2 24,1	T 71C4	5,6
	55,0	16,9	90,7	2,8	P - 63 2 16,9	T 80B6	5,6
	54,8	26,1	91,1	2,6	P - 63 2 26,1	T 80A4	5,6
	54,2	52,8	90,2	2,5	P L 45 3 52,8	T 71B2	6,5
	54,1	17,2	90,3	1,2	P L 25 3 17,2	T 80B6	4,0
	53,7	53,3	91,0	2,4	P - 63 3 53,3	T 71B2	4,0
	53,6	26,1	93,0	2,6	P - 63 2 26,1	T 71C4	5,6
	52,2	27,4	93,5	1,1	P L 25 3 27,4	T 80A4	4,0
	52,2	54,8	93,6	1,0	P L 25 3 54,8	T 71B2	4,0
	51,1	27,4	95,7	1,0	P L 25 3 27,4	T 71C4	4,0
	50,0	57,2	97,7	2,4	P - 63 3 57,2	T 71B2	4,0
	49,8	28,7	98,0	2,6	P L 45 3 28,7	T 80A4	6,5
	48,8	28,7	100,1	2,5	P L 45 3 28,7	T 71C4	6,5
	47,6	60,1	102,6	2,2	P L 45 3 60,1	T 71B2	6,5
	47,0	19,8	106,2	2,4	P - 63 2 19,8	T 80B6	5,6
	46,3	61,8	105,6	2,2	P - 63 3 61,8	T 71B2	4,0
	45,6	20,4	107,1	1,0	P L 25 3 20,4	T 80B6	4,0
	45,4	20,5	110,0	2,2	P - 63 2 20,5	T 80B6	5,6
	45,1	31,7	110,6	2,2	P - 63 2 31,7	T 80A4	5,6
	44,7	32,0	109,3	2,3	P L 45 3 32	T 80A4	6,5
	44,7	32,0	109,3	0,9	P L 25 3 32	T 80A4	4,0
	44,6	64,2	109,6	3,8	P - 71 3 64,2	T 71B2	5,4
44,3	64,6	110,2	0,8	P L 25 3 64,6	T 71B2	4,0	
44,2	31,7	113,0	2,1	P - 63 2 31,7	T 71C4	5,6	
43,8	32,0	111,7	2,2	P L 45 3 32	T 71C4	6,5	
43,8	32,0	111,6	0,9	P L 25 3 32	T 71C4	4,0	
43,2	33,1	115,5	3,5	P - 71 2 33,1	T 80A4	7,5	
42,3	33,1	117,9	3,5	P - 71 2 33,1	T 71C4	7,5	
41,1	69,6	118,9	2,0	P - 63 3 69,6	T 71B2	4,0	
40,5	70,6	120,6	1,9	P L 45 3 70,6	T 71B2	6,5	
39,1	23,8	125,0	0,9	P L 25 3 23,8	T 80B6	4,0	
39,1	36,6	127,7	2,0	P - 63 2 36,6	T 80A4	5,6	
38,8	36,9	126,1	0,8	P L 25 3 36,9	T 80A4	4,0	
38,6	24,1	129,3	1,9	P - 63 2 24,1	T 80B6	5,6	
38,3	37,3	130,1	3,2	P - 71 2 37,3	T 80A4	7,5	
38,3	36,6	130,5	1,9	P - 63 2 36,6	T 71C4	5,6	
37,9	36,9	128,8	0,8	P L 25 3 36,9	T 71C4	4,0	
37,9	75,4	128,8	3,3	P - 71 3 75,4	T 71B2	5,4	
37,9	75,4	128,8	1,9	P - 63 3 75,4	T 71B2	4,0	
37,5	37,3	133,0	3,1	P - 71 2 37,3	T 71C4	7,5	
36,8	25,3	135,8	3,0	P - 71 2 25,3	T 80B6	7,5	
36,2	39,5	134,9	3,4	P - 71 3 39,5	T 80A4	5,4	
36,1	39,6	138,3	3,6	P - 80 2 39,6	T 80A4	7,5	
35,6	26,1	140,0	1,8	P - 63 2 26,1	T 80B6	5,6	
35,4	39,5	137,8	3,3	P - 71 3 39,5	T 71C4	5,4	
35,3	40,5	141,3	1,7	P - 63 2 40,5	T 80A4	5,6	
35,1	81,4	138,9	1,7	P - 63 3 81,4	T 71B2	4,0	
35,0	40,9	139,7	1,8	P L 45 3 40,9	T 80A4	6,5	
34,6	40,5	144,4	1,7	P - 63 2 40,5	T 71C4	5,6	
34,2	40,9	142,6	1,8	P L 45 3 40,9	T 71C4	6,5	
33,9	27,4	144,0	0,8	P L 25 3 27,4	T 80B6	4,0	
33,9	42,3	147,4	3,4	P - 80 2 42,3	T 80A4	7,5	
33,5	85,4	145,9	3,7	P L 65 3 85,4	T 71B2	8,0	
33,4	85,7	146,4	1,5	P L 45 3 85,7	T 71B2	6,5	
33,0	86,8	148,3	2,8	P - 71 3 86,8	T 71B2	5,4	
33,0	43,4	148,3	1,7	P - 63 3 43,4	T 80A4	4,0	
32,4	28,7	150,8	1,8	P L 45 3 28,7	T 80B6	6,5	
32,4	88,4	151,0	1,6	P - 63 3 88,4	T 71B2	4,0	
32,3	28,8	154,6	3,0	P - 71 2 28,8	T 80B6	7,5	
32,3	43,4	151,4	1,7	P - 63 3 43,4	T 71C4	4,0	
32,0	44,7	156,0	2,9	P - 71 2 44,7	T 80A4	7,5	
31,6	45,2	157,7	1,5	P - 63 2 45,2	T 80A4	5,6	
31,3	44,7	159,3	2,9	P - 71 2 44,7	T 71C4	7,5	
31,3	45,7	156,1	1,6	P L 45 3 45,7	T 80A4	6,5	
31,3	91,5	156,3	2,7	P - 71 3 91,5	T 71B2	5,4	
31,1	46,0	157,1	3,8	P L 65 3 46	T 80A4	8,0	
31,0	45,2	161,2	1,5	P - 63 2 45,2	T 71C4	5,6	



HIGH TECH *line* Motion

P ₁ Input Power kW	n ₂ Output speed min ⁻¹	IR ratio -	T ₂ Output torque Nm	FS' Service Factor -			P _{tn} Thermal capacity kW
0,55	30,6	45,7	159,5	1,6	P L 45 3 45,7	T 71C4	6,5
	30,4	46,0	160,5	3,7	P L 65 3 46	T 71C4	8,0
	30,4	47,0	160,4	1,6	P - 63 3 47	T 80A4	4,0
	29,8	47,0	163,9	1,5	P - 63 3 47	T 71C4	4,0
	29,7	48,1	168,0	3,0	P - 80 2 48,14	T 80A4	7,5
	29,3	31,7	170,2	1,5	P - 63 2 31,7	T 80B6	5,6
	29,1	32,0	168,2	1,6	P L 45 3 32	T 80B6	6,5
	28,9	98,9	169,0	1,4	P - 63 3 98,9	T 71B2	4,0
	28,9	99,0	169,0	3,2	P L 65 3 99	T 71B2	8,0
	28,8	99,3	169,6	2,5	P - 71 3 99,3	T 71B2	5,4
	28,8	32,3	169,7	3,8	P L 65 3 32,3	T 80B6	8,0
	28,4	100,7	172,1	1,3	P L 45 3 100,7	T 71B2	6,5
	28,3	50,5	176,2	2,6	P - 71 2 50,5	T 80A4	7,5
	28,1	50,9	177,6	2,0	P - 80 2 50,87	T 80A4	7,5
	28,1	33,1	177,6	2,3	P - 71 2 33,1	T 80B6	7,5
	27,7	50,5	180,1	2,6	P - 71 2 50,5	T 71C4	7,5
	27,1	52,8	180,4	1,4	P L 45 3 52,8	T 80A4	6,5
	26,8	53,3	182,1	1,4	P - 63 3 53,3	T 80A4	4,0
	26,7	34,8	186,7	3,5	P - 80 2 34,79	T 80B6	7,5
	26,7	53,5	182,8	2,5	P - 71 3 53,5	T 80A4	5,4
	26,7	107,1	183,1	1,2	P L 45 3 107,1	T 71B2	6,5
	26,6	107,5	183,6	2,3	P - 71 3 107,5	T 71B2	5,4
	26,5	52,8	184,3	1,4	P L 45 3 52,8	T 71C4	6,5
	26,3	54,3	185,5	3,2	P L 65 3 54,3	T 80A4	8,0
	26,3	53,3	186,1	1,3	P - 63 3 53,3	T 71C4	4,0
	26,2	53,5	186,7	2,5	P - 71 3 53,5	T 71C4	5,4
	25,8	54,3	189,4	3,2	P L 65 3 54,3	T 71C4	8,0
	25,8	55,5	193,7	1,8	P - 80 2 55,49	T 80A4	7,5
	25,4	36,6	196,4	1,3	P - 63 2 36,6	T 80B6	5,6
	25,0	57,2	195,3	1,3	P - 63 3 57,2	T 80A4	4,0
	25,0	114,4	195,3	1,2	P - 63 3 114,4	T 71B2	4,0
	24,9	37,3	200,1	2,0	P - 71 2 37,3	T 80B6	7,5
	24,7	37,6	197,5	3,3	P L 65 3 37,6	T 80B6	8,0
	24,6	116,2	198,5	2,7	P L 65 3 116,2	T 71B2	8,0
	24,5	38,0	203,6	3,2	P - 80 2 37,95	T 80B6	7,5
	24,5	57,2	199,6	1,3	P - 63 3 57,2	T 71C4	4,0
	23,8	60,1	205,2	1,2	P L 45 3 60,1	T 80A4	6,5
	23,5	39,5	207,5	2,3	P - 71 3 39,5	T 80B6	5,4
	23,5	60,8	207,7	2,2	P - 71 3 60,8	T 80A4	5,4
	23,5	39,6	212,7	2,6	P - 80 2 39,63	T 80B6	7,5
	23,3	60,1	209,6	1,2	P L 45 3 60,1	T 71C4	6,5
	23,1	61,8	215,6	1,6	P - 80 2 61,79	T 80A4	7,5
	23,1	61,8	211,2	1,2	P - 63 3 61,8	T 80A4	4,0
	23,1	123,8	211,5	2,0	P - 71 3 123,8	T 71B2	5,4
	23,0	60,8	212,1	2,2	P - 71 3 60,8	T 71C4	5,4
	23,0	40,4	216,8	3,5	P - 90 2 40,4	T 80B6	10,5
	23,0	40,5	217,5	1,1	P - 63 2 40,5	T 80B6	5,6
	22,7	40,9	214,9	1,3	P L 45 3 40,9	T 80B6	6,5
	22,7	61,8	215,5	1,2	P - 63 3 61,8	T 71C4	4,0
	22,3	64,2	219,4	2,1	P - 71 3 64,2	T 80A4	5,4
22,2	64,4	220,0	2,7	P L 65 3 64,4	T 80A4	8,0	
22,0	42,3	226,7	2,4	P - 80 2 42,25	T 80B6	7,5	
21,8	64,2	223,9	2,1	P - 71 3 64,2	T 71C4	5,4	
21,7	64,4	224,6	2,7	P L 65 3 64,4	T 71C4	8,0	
21,6	132,7	226,6	1,0	P L 45 3 132,7	T 71B2	6,5	
21,4	43,4	228,0	1,1	P - 63 3 43,4	T 80B6	4,0	
21,3	134,3	229,4	1,8	P - 71 3 134,3	T 71B2	5,4	
21,1	135,4	231,2	1,0	P - 63 3 135,4	T 71B2	4,0	
20,8	44,7	239,8	1,9	P - 71 2 44,7	T 80B6	7,5	
20,6	138,8	237,0	2,3	P L 65 3 138,8	T 71B2	8,0	
20,6	69,6	237,9	1,1	P - 63 3 69,6	T 80A4	4,0	
20,4	45,7	239,9	1,1	P L 45 3 45,7	T 80B6	6,5	
20,3	141,0	240,9	3,8	P - 90 3 141	T 71B2	7,5	
20,3	70,6	241,2	3,8	P - 90 3 70,6	T 80A4	7,5	
20,3	70,6	241,2	1,0	P L 45 3 70,6	T 80A4	6,5	
20,2	46,0	241,6	2,7	P L 65 3 46	T 80B6	8,0	
20,1	69,6	242,9	1,0	P - 63 3 69,6	T 71C4	4,0	
19,8	70,6	246,3	3,7	P - 90 3 70,6	T 71C4	7,5	
19,8	70,6	246,4	1,0	P L 45 3 70,6	T 71C4	6,5	
19,8	47,0	246,9	1,0	P - 63 3 47	T 80B6	4,0	
19,3	48,1	258,4	2,1	P - 80 2 48,14	T 80B6	7,5	
19,2	74,4	254,2	2,4	P L 65 3 74,4	T 80A4	8,0	
19,2	149,1	254,8	0,9	P - 63 3 149,1	T 71B2	4,0	
19,1	48,8	256,3	3,7	P - 90 3 48,8	T 80B6	7,5	
19,0	75,4	257,4	1,8	P - 71 3 75,4	T 80A4	5,4	
19,0	75,4	257,5	1,0	P - 63 3 75,4	T 80A4	4,0	
18,8	74,4	259,6	2,3	P L 65 3 74,4	T 71C4	8,0	
18,7	76,3	260,7	3,5	P - 90 3 76,3	T 80A4	7,5	
18,7	152,8	261,0	2,1	P L 65 3 152,8	T 71B2	8,0	
18,7	152,9	261,1	0,9	P L 45 3 152,9	T 71B2	6,5	
18,6	75,4	263,0	1,7	P - 71 3 75,4	T 71C4	5,4	
18,6	75,4	262,9	1,0	P - 63 3 75,4	T 71C4	4,0	
18,5	154,8	264,3	1,6	P - 71 3 154,8	T 71B2	5,4	
18,4	155,2	265,1	3,4	P - 90 3 155,2	T 71B2	7,5	
18,4	50,5	270,9	1,7	P - 71 2 50,5	T 80B6	7,5	
18,4	76,3	266,2	3,4	P - 90 3 76,3	T 71C4	7,5	
18,3	50,9	272,9	1,4	P - 80 2 50,87	T 80B6	7,5	
18,3	50,9	273,1	3,5	P - 90 2 50,9	T 80B6	10,5	
17,9	160,0	273,2	4,0	P L 85 3 160	T 71B2	11,0	
17,6	52,8	277,6	1,0	P L 45 3 52,8	T 80B6	6,5	
17,6	81,4	277,8	0,9	P - 63 3 81,4	T 80A4	4,0	
17,5	163,2	278,6	1,5	P - 71 3 163,2	T 71B2	5,4	
17,5	53,3	279,9	0,9	P - 63 3 53,3	T 80B6	4,0	
17,4	53,5	281,1	1,6	P - 71 3 53,5	T 80B6	5,4	
17,4	164,7	281,4	0,9	P - 63 3 164,7	T 71B2	4,0	





P ₁ Input Power kW	n ₂ Output speed min ⁻¹	IR ratio -	T2 Ouput torque Nm	FS' Service Factor -	 GEAR	 EU	P _{tn} Thermal capacity kW
0,55	17,3	82,8	282,9	3,2	P - 90 3 82.8	T 80A4	7,5
	17,2	81,4	284,1	0,9	P - 63 3 81.4	T 71C4	4,0
	17,1	54,3	285,1	2,3	P L 65 3 54.3	T 80B6	8,0
	16,9	82,8	288,8	3,2	P - 90 3 82.8	T 71C4	7,5
	16,9	55,2	289,9	3,3	P - 90 3 55.2	T 80B6	7,5
	16,8	55,5	297,7	1,3	P - 80 2 55.49	T 80B6	7,5
	16,7	85,4	291,8	2,1	P L 65 3 85.4	T 80A4	8,0
	16,7	85,7	292,6	0,9	P L 45 3 85.7	T 80A4	6,5
	16,5	86,8	296,6	1,6	P - 71 3 86.8	T 80A4	5,4
	16,4	85,4	298,1	2,0	P L 65 3 85.4	T 71C4	8,0
	16,3	85,7	298,9	0,8	P L 45 3 85.7	T 71C4	6,5
	16,3	175,4	299,4	1,8	P L 65 3 175.4	T 71B2	8,0
	16,3	57,2	300,3	0,8	P - 63 3 57.2	T 80B6	4,0
	16,2	88,4	302,2	0,8	P - 63 3 88.4	T 80A4	4,0
	16,1	86,8	303,0	1,5	P - 71 3 86.8	T 71C4	5,4
	16,1	178,1	304,1	3,0	P - 90 3 178.1	T 71B2	7,5
	15,8	88,4	308,3	0,8	P - 63 3 88.4	T 71C4	4,0
	15,8	181,3	309,9	0,8	P - 63 3 181.3	T 71B2	4,0
	15,6	91,5	312,3	1,5	P - 71 3 91.5	T 80A4	5,4
	15,5	184,6	315,3	3,4	P L 85 3 184.6	T 71B2	11,0
	15,5	60,1	316,0	0,9	P L 45 3 60.1	T 80B6	6,5
	15,3	93,3	318,6	2,9	P - 90 3 93.3	T 80A4	7,5
	15,3	60,8	319,4	1,4	P - 71 3 60.8	T 80B6	5,4
	15,3	91,5	319,4	1,4	P - 71 3 91.5	T 71C4	5,4
	15,1	61,8	331,7	1,1	P - 80 2 61.79	T 80B6	7,5
	15,1	61,8	324,7	0,8	P - 63 3 61.8	T 80B6	4,0
	15,0	93,3	325,4	2,8	P - 90 3 93.3	T 71C4	7,5
	14,9	62,3	327,1	2,9	P - 90 3 62.3	T 80B6	7,5
	14,9	191,6	327,4	1,4	P - 71 3 191.6	T 71B2	5,4
	14,6	98,0	334,9	3,6	P L 85 3 98	T 80A4	11,0
	14,6	63,9	335,7	3,9	P L 85 3 63.9	T 80B6	11,0
	14,5	64,2	337,0	1,4	P - 71 3 64.2	T 80B6	5,4
	14,5	98,9	337,8	0,7	P - 63 3 98.9	T 80A4	4,0
	14,5	197,9	337,9	1,6	P L 65 3 197.9	T 71B2	8,0
	14,4	64,4	338,2	1,9	P L 65 3 64.4	T 80B6	8,0
	14,4	99,0	338,1	1,8	P L 65 3 99	T 80A4	8,0
	14,4	99,3	339,1	1,4	P - 71 3 99.3	T 80A4	5,4
	14,3	98,0	341,8	3,5	P L 85 3 98	T 71C4	11,0
	14,2	201,0	343,3	2,7	P - 90 3 201	T 71B2	7,5
	14,2	100,6	343,8	2,6	P - 90 3 100.6	T 80A4	7,5
	14,2	100,7	343,8	0,7	P L 45 3 100.7	T 80A4	6,5
	14,2	98,9	344,6	0,7	P - 63 3 98.9	T 71C4	4,0
	14,1	99,0	345,5	1,7	P L 65 3 99	T 71C4	8,0
	14,1	99,3	346,6	1,3	P - 71 3 99.3	T 71C4	5,4
	14,0	204,1	348,6	3,1	P L 85 3 204.1	T 71B2	11,0
	13,9	100,6	351,0	2,6	P - 90 3 100.6	T 71C4	7,5
	13,9	100,7	351,7	0,7	P L 45 3 100.7	T 71C4	6,5
	13,4	214,0	365,5	3,0	P L 85 3 214	T 71B2	11,0
	13,3	107,5	367,2	1,3	P - 71 3 107.5	T 80A4	5,4
	13,2	70,6	371,0	2,5	P - 90 3 70.6	T 80B6	7,5
13,2	70,6	371,3	0,7	P L 45 3 70.6	T 80B6	6,5	
13,1	108,9	372,1	2,4	P - 90 3 108.9	T 80A4	7,5	
13,0	107,5	375,4	1,2	P - 71 3 107.5	T 71C4	5,4	
13,0	220,8	377,3	1,2	P - 71 3 220.8	T 71B2	5,4	
12,9	108,9	379,7	2,4	P - 90 3 108.9	T 71C4	7,5	
12,8	224,4	383,2	2,4	P - 90 3 224.4	T 71B2	7,5	
12,6	113,5	387,8	3,1	P L 85 3 113.5	T 80A4	11,0	
12,6	74,0	388,6	3,3	P L 85 3 74	T 80B6	11,0	
12,5	74,4	390,7	1,7	P L 65 3 74.4	T 80B6	8,0	
12,3	113,5	396,2	3,0	P L 85 3 113.5	T 71C4	11,0	
12,3	75,4	396,5	1,2	P - 71 3 75.4	T 80B6	5,4	
12,3	116,2	396,6	1,5	P L 65 3 116.2	T 80A4	8,0	
12,2	234,0	399,7	2,7	P L 85 3 234	T 71B2	11,0	
12,2	76,3	400,7	2,4	P - 90 3 76.3	T 80B6	7,5	
12,1	116,2	405,4	1,5	P L 65 3 116.2	T 71C4	8,0	
11,6	123,8	423,1	1,1	P - 71 3 123.8	T 80A4	5,4	
11,4	125,0	427,0	2,1	P - 90 3 125	T 80A4	7,5	
11,3	123,8	431,7	1,1	P - 71 3 123.8	T 71C4	5,4	
11,3	253,2	432,2	2,1	P - 90 3 253.2	T 71B2	7,5	
11,2	82,8	434,9	2,2	P - 90 3 82.8	T 80B6	7,5	
11,2	125,0	436,0	2,1	P - 90 3 125	T 71C4	7,5	
11,2	128,3	438,1	4,0	P - 112 3 128.3	T 80A4	11,8	
11,0	84,9	446,0	2,9	P L 85 3 84.9	T 80B6	11,0	
10,9	85,4	448,6	1,4	P L 65 3 85.4	T 80B6	8,0	
10,7	86,8	455,9	1,0	P - 71 3 86.8	T 80B6	5,4	
10,7	134,3	458,3	1,0	P - 71 3 134.3	T 80A4	5,4	
10,6	270,0	461,2	2,3	P L 85 3 270	T 71B2	11,0	
10,5	136,8	467,4	2,6	P L 85 3 136.8	T 80A4	11,0	
10,4	134,3	468,5	1,0	P - 71 3 134.3	T 71C4	5,4	
10,3	138,8	474,1	1,3	P L 65 3 138.8	T 80A4	8,0	
10,2	136,8	477,6	2,5	P L 85 3 136.8	T 71C4	11,0	
10,2	91,5	480,5	1,0	P - 71 3 91.5	T 80B6	5,4	
10,1	141,0	481,7	1,9	P - 90 3 141	T 80A4	7,5	
10,1	138,8	483,9	1,2	P L 65 3 138.8	T 71C4	8,0	
10,0	93,3	489,9	1,9	P - 90 3 93.3	T 80B6	7,5	
9,9	93,6	491,4	3,8	P - 112 3 93.6	T 80B6	11,8	
9,9	141,0	492,1	1,8	P - 90 3 141	T 71C4	7,5	
9,7	148,0	505,8	3,5	P - 112 3 148	T 80A4	11,8	
9,5	98,0	514,8	2,5	P L 85 3 98	T 80B6	11,0	
9,4	99,0	520,4	1,2	P L 65 3 99	T 80B6	8,0	
9,4	99,3	521,2	0,9	P - 71 3 99.3	T 80B6	5,4	
9,4	152,8	522,2	1,1	P L 65 3 152.8	T 80A4	8,0	
9,2	100,6	528,7	1,8	P - 90 3 100.6	T 80B6	7,5	
9,2	154,8	528,2	0,9	P - 71 3 154.8	T 80A4	5,4	
9,2	155,2	530,2	1,7	P - 90 3 155.2	T 80A4	7,5	



0.55
kW

HIGH TECH *line* Motion

P₁ Input Power kW	n₂ Output speed min ⁻¹	IR ratio -	T₂ Output torque Nm	FS' Service Factor -	 GEAR	 EU	P_{tn} Thermal capacity kW
	9.2	152.8	533.1	1.1	P L 65 3 152.8	T 71C4	8.0
	9.0	154.8	540.6	0.9	P - 71 3 154.8	T 71C4	5.4
	9.0	155.2	541.7	1.7	P - 90 3 155.2	T 71C4	7.5
	8.9	160.0	546.4	2.2	P L 85 3 160	T 80A4	11.0
	8.8	163.2	557.3	0.8	P - 71 3 163.2	T 80A4	5.4
	8.8	160.0	558.4	2.1	P L 85 3 160	T 71C4	11.0
	8.7	107.5	564.4	0.8	P - 71 3 107.5	T 80B6	5.4
	8.6	108.4	569.3	3.3	P - 112 3 108.4	T 80B6	11.8
	8.6	163.2	569.8	0.8	P - 71 3 163.2	T 71C4	5.4
	8.6	167.0	570.5	3.1	P - 112 3 167	T 80A4	11.8
	8.5	108.9	571.8	1.7	P - 90 3 108.9	T 80B6	7.5
	8.2	113.5	596.3	2.2	P L 85 3 113.5	T 80B6	11.0
	8.2	175.4	598.9	1.0	P L 65 3 175.4	T 80A4	8.0
	8.0	178.1	608.1	1.5	P - 90 3 178.1	T 80A4	7.5
	8.0	116.0	609.1	3.9	P L 95 3 116	T 80B6	16.0
	8.0	116.2	611.1	1.1	P L 65 3 116.2	T 80B6	8.0
	8.0	175.4	612.2	1.0	P L 65 3 175.4	T 71C4	8.0
	7.9	117.2	615.2	3.0	P - 112 3 117.2	T 80B6	11.8
	7.9	178.1	621.7	1.5	P - 90 3 178.1	T 71C4	7.5
	7.8	184.6	630.4	1.9	P L 85 3 184.6	T 80A4	11.0
	7.6	187.1	639.2	3.8	P L 95 3 187.1	T 80A4	16.0
	7.6	184.6	644.5	1.9	P L 85 3 184.6	T 71C4	11.0
	7.5	123.8	650.2	0.7	P - 71 3 123.8	T 80B6	5.4
	7.5	191.5	653.9	2.7	P - 112 3 191.5	T 80A4	11.8
	7.5	191.6	654.1	0.7	P - 71 3 191.6	T 80A4	5.4
	7.4	125.0	656.2	1.4	P - 90 3 125	T 80B6	7.5
	7.3	191.6	668.7	0.7	P - 71 3 191.6	T 71C4	5.4
	7.3	128.3	673.9	2.8	P - 112 3 128.3	T 80B6	11.8
	7.2	197.9	676.2	0.9	P L 65 3 197.9	T 80A4	8.0
	7.2	199.5	681.1	3.5	P L 95 3 199.5	T 80A4	16.0
	7.1	201.0	687.5	1.3	P - 90 3 201	T 80A4	7.5
	7.1	197.9	690.4	0.9	P L 65 3 197.9	T 71C4	8.0
	7.0	204.1	696.9	1.7	P L 85 3 204.1	T 80A4	11.0
	7.0	201.0	701.0	1.3	P - 90 3 201	T 71C4	7.5
	6.9	134.4	705.9	3.4	P L 95 3 134.4	T 80B6	16.0
	6.9	204.1	712.0	1.7	P L 85 3 204.1	T 71C4	11.0
	6.8	136.8	718.6	1.8	P L 85 3 136.8	T 80B6	11.0
	6.7	138.8	729.6	0.9	P L 65 3 138.8	T 80B6	8.0
	6.7	214.0	730.9	1.6	P L 85 3 214	T 80A4	11.0
	6.6	141.0	740.4	1.3	P - 90 3 141	T 80B6	7.5
	6.5	214.0	746.6	1.6	P L 85 3 214	T 71C4	11.0
	6.5	220.9	754.9	2.3	P - 112 3 220.9	T 80A4	11.8
	6.5	221.3	756.0	3.2	P L 95 3 221.3	T 80A4	16.0
	6.4	224.4	766.5	1.2	P - 90 3 224.4	T 80A4	7.5
	6.3	148.0	777.9	2.4	P - 112 3 148	T 80B6	11.8
	6.2	224.4	783.3	1.2	P - 90 3 224.4	T 71C4	7.5
	6.1	234.0	799.0	1.5	P L 85 3 234	T 80A4	11.0
	6.1	152.8	801.6	0.8	P L 65 3 152.8	T 80B6	8.0
	6.0	155.2	815.9	1.2	P - 90 3 155.2	T 80B6	7.5
	6.0	234.0	816.8	1.5	P L 85 3 234	T 71C4	11.0
	5.9	241.0	824.1	2.1	P - 112 3 241	T 80A4	11.8
	5.9	243.2	830.7	2.9	P L 95 3 243.2	T 80A4	16.0
	5.9	158.9	834.9	2.9	P L 95 3 158.9	T 80B6	16.0
	5.8	160.0	841.2	1.5	P L 85 3 160	T 80B6	11.0
	5.7	253.2	864.4	1.1	P - 90 3 253.2	T 80A4	7.5
	5.6	167.0	877.4	2.1	P - 112 3 167	T 80B6	11.8
	5.5	253.2	882.7	1.0	P - 90 3 253.2	T 71C4	7.5
	5.5	519.6	859.4	3.7	P E 125 519.6	T 71B2	10.5
	5.4	266.2	909.7	2.6	P L 95 3 266.2	T 80A4	16.0
	5.3	270.0	921.8	1.3	P L 85 3 270	T 80A4	11.0
	5.3	175.4	921.4	0.7	P L 65 3 175.4	T 80B6	8.0
	5.3	543.9	898.7	3.9	P E 132 543.9	T 71B2	12.0
	5.2	273.5	904.0	3.5	P E 125 273.48	T 80A4	10.5
	5.2	178.1	936.5	1.0	P - 90 3 178.1	T 80B6	7.5
	5.2	270.0	941.5	1.3	P L 85 3 270	T 71C4	11.0
	5.1	278.1	950.1	1.8	P - 112 3 278.1	T 80A4	11.8
	5.1	273.5	923.4	3.5	P E 125 273.48	T 71C4	10.5
	5.0	184.6	968.8	1.3	P L 85 3 184.6	T 80B6	11.0
	5.0	185.2	983.6	3.9	P L 105 3 185.2	T 80B6	22.0
	5.0	185.6	943.6	3.7	P E 125 185.62	T 80B6	10.5
	5.0	187.1	982.9	2.4	P L 95 3 187.1	T 80B6	16.0
	4.9	580.5	958.7	2.8	P E 125 580.52	T 71B2	10.5
	4.9	191.5	1004.9	1.9	P - 112 3 191.5	T 80B6	11.8
	4.8	595.2	982.6	3.6	P E 132 595.18	T 71B2	12.0
	4.7	199.5	1048.5	2.3	P L 95 3 199.5	T 80B6	16.0
	4.7	307.7	1016.4	3.4	P E 125 307.71	T 80A4	10.5
	4.6	201.0	1054.3	0.9	P - 90 3 201	T 80B6	7.5
	4.6	625.2	1034.7	3.1	P E 125 625.23	T 71B2	10.5
	4.6	204.1	1072.0	1.2	P L 85 3 204.1	T 80B6	11.0
	4.6	307.7	1038.9	3.4	P E 125 307.71	T 71C4	10.5
	4.5	316.6	1045.6	3.8	P E 132 316.62	T 80A4	12.0
	4.4	316.6	1069.5	3.7	P E 132 316.62	T 71C4	12.0
	4.4	648.4	1071.9	3.0	P E 125 648.43	T 71B2	10.5
	4.4	212.6	1081.6	3.7	P E 132 212.62	T 80B6	12.0
	4.4	655.0	1081.5	3.2	P E 132 655.01	T 71B2	12.0
	4.4	214.0	1122.4	1.2	P L 85 3 214	T 80B6	11.0
	4.2	220.9	1159.9	1.6	P - 112 3 220.9	T 80B6	11.8
	4.2	221.3	1163.0	2.1	P L 95 3 221.3	T 80B6	16.0
	4.1	224.4	1181.2	0.8	P - 90 3 224.4	T 80B6	7.5
	4.1	227.3	1155.5	3.0	P E 125 227.28	T 80B6	10.5
	4.1	350.3	1158.3	2.3	P E 125 350.27	T 80A4	10.5
	4.1	352.5	1164.6	3.4	P E 132 352.46	T 80A4	12.0
	4.0	350.3	1181.4	2.3	P E 125 350.27	T 71C4	10.5
	4.0	352.5	1190.5	3.4	P E 132 352.46	T 71C4	12.0
	4.0	234.0	1190.5	3.4	P E 132 234	T 80B6	12.0



0,55

P ₁ Input Power kW	n ₂ Output speed min ⁻¹	IR ratio -	T2 Ouput torque Nm	FS' Service Factor -	 GEAR	 EU	P _{tn} Thermal capacity kW
0,55	4.0	234.0	1230.6	1.1	P L 85 3 234	T 80B6	11.0
	4.0	724.6	1196.6	2.3	P E 125 724.6	T 71B2	10.5
	3.9	241.0	1265.1	1.5	P - 112 3 241	T 80B6	11.8
	3.9	742.8	1227.7	2.9	P E 132 742,75	T 71B2	12.0
	3.8	243.2	1279.1	1.9	P L 95 3 243.2	T 80B6	16.0
	3.7	383.9	1267.3	2.8	P E 125 383.88	T 80A4	10.5
	3.7	251.2	1277.4	2.7	P E 125 251.17	T 80B6	10.5
	3.7	387.9	1281.3	3.1	P E 132 387.9	T 80A4	12.0
	3.7	780.3	1288.4	2.5	P E 125 780.26	T 71B2	10.5
	3.7	253.2	1332.7	0.7	P - 90 3 253.2	T 80B6	7.5
	3.7	383.9	1295.4	2.7	P E 125 383.88	T 71C4	10.5
	3.6	387.9	1309.5	3.1	P E 132 387.9	T 71C4	12.0
	3.6	260.3	1324.5	3.0	P E 132 260.34	T 80B6	12.0
	3.5	817.4	1350.9	2.6	P E 132 817.42	T 71B2	12.0
	3.5	266.2	1399.8	1.7	P L 95 3 266.2	T 80B6	16.0
	3.4	831.2	1374.4	3.9	P E 150 831.21	T 71B2	16.0
	3.4	416.3	1374.0	2.5	P E 125 416.28	T 80A4	10.5
	3.4	270.0	1418.7	0.9	P L 85 3 270	T 80B6	11.0
	3.4	273.5	1390.2	2.3	P E 125 273.48	T 80B6	10.5
	3.4	416.3	1407.2	2.5	P E 125 416.28	T 71C4	10.5
	3.3	278.1	1461.5	1.3	P - 112 3 278.1	T 80B6	11.8
	3.3	870.6	1441.0	3.7	P E 150 870.64	T 71B2	16.0
	3.3	286.5	1454.1	2.8	P E 132 286.51	T 80B6	12.0
	3.3	439.7	1454.1	2.8	P E 132 439.72	T 80A4	12.0
	3.2	439.7	1486.5	2.7	P E 132 439.72	T 71C4	12.0
	3.2	905.7	1495.7	2.3	P E 132 905.66	T 71B2	12.0
	3.2	904.3	1495.9	2.0	P E 125 904.27	T 71B2	10.5
	3.1	458.3	1515.2	4.0	P E 150 458.31	T 80A4	16.0
	3.1	461.9	1525.4	2.3	P E 125 461.93	T 80A4	10.5
	3.1	458.3	1550.0	3.9	P E 150 458.31	T 71C4	16.0
	3.0	461.9	1560.0	2.2	P E 125 461.93	T 71C4	10.5
	3.0	948.1	1565.6	3.4	P E 150 948.12	T 71B2	16.0
	3.0	307.7	1565.0	2.2	P E 125 307.71	T 80B6	10.5
	3.0	310.5	1575.9	3.8	P E 150 310.47	T 80B6	16.0
	3.0	483.9	1596.5	2.5	P E 132 483.92	T 80A4	12.0
	2.9	316.6	1608.2	2.5	P E 132 316.62	T 80B6	12.0
	2.9	483.9	1635.7	2.4	P E 132 483.92	T 71C4	12.0
	2.9	325.0	1652.5	3.6	P E 150 325	T 80B6	16.0
	2.9	501.5	1658.3	3.6	P E 150 501.52	T 80A4	16.0
	2.8	501.5	1694.0	3.5	P E 150 501.52	T 71C4	16.0
	2.8	1037.5	1712.8	3.2	P E 150 1037.52	T 71B2	16.0
	2.8	519.6	1718.8	2.0	P E 125 519.6	T 80A4	10.5
	2.7	524.8	1730.9	2.3	P E 132 524.76	T 80A4	12.0
	2.7	519.6	1758.0	2.0	P E 125 519.6	T 71C4	10.5
	2.7	524.8	1769.9	2.3	P E 132 524.76	T 71C4	12.0
	2.7	350.3	1776.3	1.5	P E 125 350.27	T 80B6	10.5
	2.6	352.5	1790.1	2.2	P E 132 352.46	T 80B6	12.0
	2.6	543.9	1797.4	2.2	P E 132 543.89	T 80A4	12.0
	2.6	549.0	1818.2	3.3	P E 150 548.95	T 80A4	16.0
	2.6	359.2	1825.2	3.3	P E 150 359.17	T 80B6	16.0
2.6	543.9	1839.5	2.2	P E 132 543.89	T 71C4	12.0	
2.6	549.0	1853.9	3.2	P E 150 548.95	T 71C4	16.0	
2.5	580.5	1921.7	1.5	P E 125 580.52	T 80A4	10.5	
2.4	380.8	1937.8	3.1	P E 150 380.82	T 80B6	16.0	
2.4	1175.0	1944.8	1.3	P E 125 1175.04	T 71B2	10.5	
2.4	1183.2	1953.9	2.8	P E 150 1183.21	T 71B2	16.0	
2.4	383.9	1954.3	1.8	P E 125 383.88	T 80B6	10.5	
2.4	580.5	1961.9	1.5	P E 125 580.52	T 71C4	10.5	
2.4	595.3	1970.1	3.0	P E 150 595.28	T 80A4	16.0	
2.4	387.9	1969.6	2.0	P E 132 387.9	T 80B6	12.0	
2.4	595.2	1969.6	2.0	P E 132 595.18	T 80A4	12.0	
2.4	595.3	2012.2	3.0	P E 150 595.28	T 71C4	16.0	
2.4	595.2	2011.0	2.0	P E 132 595.18	T 71C4	12.0	
2.3	625.2	2063.2	1.7	P E 125 625.23	T 80A4	10.5	
2.3	1268.2	2091.5	3.9	P E 170 1268,2	T 71B2	21.0	
2.2	625.2	2110.7	1.7	P E 125 625.23	T 71C4	10.5	
2.2	416.3	2120.0	1.7	P E 125 416.28	T 80B6	10.5	
2.2	643.2	2129.0	2.8	P E 150 643.23	T 80A4	16.0	
2.2	420.9	2138.7	2.8	P E 150 420.86	T 80B6	16.0	
2.2	1294.8	2139.8	2.5	P E 150 1294.77	T 71B2	16.0	
2.2	648.4	2138.9	1.6	P E 125 648.43	T 80A4	10.5	
2.2	643.2	2168.2	2.8	P E 150 643.23	T 71C4	16.0	
2.2	655.0	2167.5	1.8	P E 132 655.01	T 80A4	12.0	
2.2	648.4	2187.5	1.6	P E 125 648.43	T 71C4	10.5	
2.1	655.0	2208.8	1.8	P E 132 655.01	T 71C4	12.0	
2.1	439.7	2240.3	1.8	P E 132 439.72	T 80B6	12.0	
2.1	445.6	2262.3	4.0	P E 170 445.6	T 80B6	21.0	
2.1	697.9	2305.5	3.9	P E 170 697.85	T 80A4	21.0	
2.1	1395.7	2305.9	3.5	P E 170 1395.69	T 71B2	21.0	
2.1	697.5	2306.1	2.6	P E 150 697.51	T 80A4	16.0	
2.0	458.3	2328.9	2.6	P E 150 458.31	T 80B6	16.0	
2.0	697.9	2351.5	3.8	P E 170 697.85	T 71C4	21.0	
2.0	697.5	2352.1	2.6	P E 150 697.51	T 71C4	16.0	
2.0	1424.9	2351.5	2.3	P E 150 1424.94	T 71B2	16.0	
2.0	461.9	2353.3	1.5	P E 125 461.93	T 80B6	10.5	
2.0	724.6	2398.3	1.3	P E 125 724.6	T 80A4	10.5	
1.9	742.8	2449.9	1.6	P E 132 742.75	T 80A4	12.0	
1.9	724.6	2448.1	1.2	P E 125 724.6	T 71C4	10.5	
1.9	483.2	2462.7	3.7	P E 170 483.23	T 80B6	21.0	
1.9	743.0	2462.7	2.4	P E 150 743.02	T 80A4	16.0	
1.9	483.9	2460.9	1.6	P E 132 483.92	T 80B6	12.0	
1.9	756.8	2501.3	3.6	P E 170 756.78	T 80A4	21.0	
1.9	743.0	2515.2	2.4	P E 150 743.02	T 71C4	16.0	
1.9	742.8	2514.3	1.6	P E 132 742.75	T 71C4	12.0	
1.9	766.5	2528.7	2.4	P E 150 766.52	T 80A4	16.0	



0.55 kW

HIGH TECH line Motion

P ₁ Input Power kW	n ₂ Output speed min ⁻¹	IR ratio -	T ₂ Output torque Nm	FS' Service Factor -	 GEAR	 EU	P _{tn} Thermal capacity kW
-------------------------------------	---	------------------	---------------------------------------	----------------------------	---	---	---

0,55	1,9	756,8	2555,5	3,5	P E 170 756,78	T 71C4	21,0
	1,9	1546,4	2555,9	3,2	P E 170 1546,36	T 71B2	21,0
	1,9	501,5	2556,2	2,3	P E 150 501,52	T 80B6	16,0
	1,8	766,5	2584,2	2,3	P E 150 766,52	T 71C4	16,0
	1,8	780,3	2583,9	1,4	P E 125 780,26	T 80A4	10,5
	1,8	1578,8	2612,1	2,1	P E 150 1578,76	T 71B2	16,0
	1,8	520,0	2641,4	3,4	P E 170 520,04	T 80B6	21,0
	1,8	780,3	2640,6	1,3	P E 125 780,26	T 71C4	10,5
	1,8	519,6	2640,6	1,3	P E 125 519,6	T 80B6	10,5
	1,8	524,8	2669,9	1,5	P E 132 524,76	T 80B6	12,0
	1,8	811,3	2685,8	3,4	P E 170 811,25	T 80A4	21,0
	1,8	817,4	2702,7	1,5	P E 132 817,42	T 80A4	12,0
	1,7	811,3	2731,8	3,3	P E 170 811,25	T 71C4	21,0
	1,7	831,2	2747,7	2,2	P E 150 831,21	T 80A4	16,0
	1,7	817,4	2763,8	1,4	P E 132 817,42	T 71C4	12,0
	1,7	543,9	2763,8	1,4	P E 132 543,89	T 80B6	12,0
	1,7	549,0	2796,6	2,1	P E 150 548,95	T 80B6	16,0
	1,7	831,2	2813,3	2,1	P E 150 831,21	T 71C4	16,0
	1,7	559,2	2848,1	3,2	P E 170 559,19	T 80B6	21,0
	1,6	870,6	2882,1	2,1	P E 150 870,64	T 80A4	16,0
	1,6	879,8	2899,8	3,1	P E 170 879,75	T 80A4	21,0
	1,6	870,6	2935,9	2,0	P E 150 870,64	T 71C4	16,0
	1,6	580,5	2953,7	1,0	P E 125 580,52	T 80B6	10,5
	1,6	879,8	2973,0	3,0	P E 170 879,75	T 71C4	21,0
	1,6	905,7	2993,2	1,3	P E 132 905,66	T 80A4	12,0
	1,6	904,3	2993,2	1,1	P E 125 904,27	T 80A4	10,5
	1,6	595,3	3030,3	2,0	P E 150 595,28	T 80B6	16,0
	1,6	595,2	3030,3	1,3	P E 132 595,18	T 80B6	12,0
	1,6	905,7	3051,3	1,3	P E 132 905,66	T 71C4	12,0
	1,6	904,3	3050,3	1,0	P E 125 904,27	T 71C4	10,5
	1,5	606,4	3089,9	2,9	P E 170 606,41	T 80B6	21,0
	1,5	948,1	3130,9	1,9	P E 150 948,12	T 80A4	16,0
	1,5	958,0	3172,6	3,9	P E 190 958,04	T 80A4	27,0
	1,5	625,2	3171,3	1,1	P E 125 625,23	T 80B6	10,5
	1,5	948,1	3194,6	1,9	P E 150 948,12	T 71C4	16,0
	1,5	958,0	3238,3	3,9	P E 190 958,04	T 71C4	27,0
	1,5	981,4	3237,4	2,8	P E 170 981,35	T 80A4	21,0
	1,5	643,2	3260,9	1,8	P E 150 643,23	T 80B6	16,0
	1,4	649,0	3306,6	2,7	P E 170 649	T 80B6	21,0
	1,4	981,4	3306,6	2,7	P E 170 981,35	T 71C4	21,0
	1,4	648,4	3307,6	1,1	P E 125 648,43	T 80B6	10,5
	1,4	655,0	3328,3	1,2	P E 132 655,01	T 80B6	12,0
	1,4	660,4	3352,0	3,7	P E 190 660,37	T 80B6	27,0
	1,4	1037,5	3426,8	1,8	P E 150 1037,52	T 80A4	16,0
	1,4	1037,5	3503,2	1,7	P E 150 1037,52	T 71C4	16,0
	1,3	1064,2	3527,4	3,5	P E 190 1064,22	T 80A4	27,0
	1,3	1064,2	3528,2	2,6	P E 170 1064,22	T 80A4	21,0
	1,3	697,9	3553,5	2,5	P E 170 697,85	T 80B6	21,0
	1,3	697,5	3556,0	1,7	P E 150 697,51	T 80B6	16,0
	1,3	1064,2	3580,7	3,5	P E 190 1064,22	T 71C4	27,0
1,3	704,9	3580,7	3,5	P E 190 704,94	T 80B6	27,0	
1,3	1064,2	3581,8	2,5	P E 170 1064,22	T 71C4	21,0	
1,3	724,6	3691,3	0,8	P E 125 724,6	T 80B6	10,5	
1,3	743,0	3780,1	1,6	P E 150 743,02	T 80B6	16,0	
1,3	742,8	3780,1	1,1	P E 132 742,75	T 80B6	12,0	
1,2	1158,9	3842,9	3,3	P E 190 1158,92	T 80A4	27,0	
1,2	756,8	3842,9	3,3	P E 190 756,78	T 80B6	27,0	
1,2	756,8	3843,2	2,3	P E 170 756,78	T 80B6	21,0	
1,2	1158,9	3843,2	2,3	P E 170 1158,92	T 80A4	21,0	
1,2	1158,9	3906,2	3,2	P E 190 1158,92	T 71C4	27,0	
1,2	1158,9	3906,9	2,3	P E 170 1158,92	T 71C4	21,0	
1,2	1183,2	3905,3	1,5	P E 150 1183,21	T 80A4	16,0	
1,2	766,5	3905,3	1,5	P E 150 766,52	T 80B6	16,0	
1,2	780,3	3969,1	0,9	P E 125 780,26	T 80B6	10,5	
1,2	1183,2	4004,9	1,5	P E 150 1183,21	T 71C4	16,0	
1,2	811,3	4111,3	2,2	P E 170 811,25	T 80B6	21,0	
1,1	817,4	4143,1	1,0	P E 132 817,42	T 80B6	12,0	
1,1	1268,2	4184,4	3,0	P E 190 1268,2	T 80A4	27,0	
1,1	824,1	4184,4	3,0	P E 190 824,12	T 80B6	27,0	
1,1	1268,2	4184,3	2,2	P E 170 1268,2	T 80A4	21,0	
1,1	831,2	4219,9	1,4	P E 150 831,21	T 80B6	16,0	
1,1	1268,2	4296,9	2,9	P E 190 1268,2	T 71C4	27,0	
1,1	1268,2	4296,9	2,1	P E 170 1268,2	T 71C4	21,0	
1,1	1294,8	4296,9	1,4	P E 150 1294,77	T 80A4	16,0	
1,1	1294,8	4376,7	1,4	P E 150 1294,77	T 71C4	16,0	
1,1	870,6	4417,7	1,4	P E 150 870,64	T 80B6	16,0	
1,1	879,8	4458,5	2,8	P E 190 879,75	T 80B6	27,0	
1,1	879,8	4459,5	2,0	P E 170 879,75	T 80B6	21,0	
1,0	905,7	4592,9	0,9	P E 132 905,66	T 80B6	12,0	
1,0	1395,7	4635,9	2,7	P E 190 1395,69	T 80A4	27,0	
1,0	1395,7	4634,8	1,9	P E 170 1395,69	T 80A4	21,0	
1,0	1395,7	4728,3	2,6	P E 190 1395,69	T 71C4	27,0	
1,0	1395,7	4727,8	1,9	P E 170 1395,69	T 71C4	21,0	
1,0	1424,9	4727,8	1,3	P E 150 1424,94	T 80A4	16,0	
1,0	948,1	4824,6	1,2	P E 150 948,12	T 80B6	16,0	
1,0	1424,9	4824,6	1,2	P E 150 1424,94	T 71C4	16,0	
1,0	958,0	4872,4	2,6	P E 190 958,04	T 80B6	27,0	
1,0	981,4	4974,9	1,8	P E 170 981,35	T 80B6	21,0	
0,92	1546,4	5138,3	2,4	P E 190 1546,36	T 80A4	27,0	
0,92	1546,4	5140,2	1,8	P E 170 1546,36	T 80A4	21,0	
0,91	1546,4	5196,5	2,4	P E 190 1546,36	T 71C4	27,0	
0,91	1546,4	5194,1	1,7	P E 170 1546,36	T 71C4	21,0	
0,91	1578,8	5196,9	1,2	P E 150 1578,76	T 80A4	16,0	
0,90	1037,5	5254,8	1,1	P E 150 1037,52	T 80B6	16,0	
0,55	0,89	1578,8	5314,0	1,1	P E 150 1578,76	T 71C4	16,0





P₁ Input Power kW	n₂ Output speed min ⁻¹	IR ratio -	T2 Ouput torque Nm	FS' Service Factor -	 GEAR	 EU	Ptn Thermal capacity kW
0,55	0.87	1064.2	5434.8	2.3	P E 190 1064.22	T 80B6	27.0
	0.87	1064.2	5433.6	1.7	P E 170 1064.22	T 80B6	21.0
	0.80	1158.9	5911.4	2.1	P E 190 1158.92	T 80B6	27.0
	0.80	1158.9	5906.9	1.5	P E 170 1158.92	T 80B6	21.0
	0.79	1183.2	5989.1	1.0	P E 150 1183.21	T 80B6	16.0
	0.73	1268.2	6473.6	1.9	P E 190 1268.2	T 80B6	27.0
	0.73	1268.2	6479.1	1.4	P E 170 1268.2	T 80B6	21.0
	0.72	1294.8	6560.6	0.9	P E 150 1294.77	T 80B6	16.0
	0.67	1395.7	7058.5	1.8	P E 190 1395.69	T 80B6	27.0
	0.67	1395.7	7051.3	1.3	P E 170 1395.69	T 80B6	21.0
	0.65	1424.9	7268.7	0.8	P E 150 1424.94	T 80B6	16.0
	0.60	1546.4	7875.1	1.6	P E 190 1546.36	T 80B6	27.0
	0.60	1546.4	7882.2	1.1	P E 170 1546.36	T 80B6	21.0
	0.59	1578.8	8009.7	0.7	P E 150 1578.76	T 80B6	16.0





HIGH TECH *line* Motion

P ₁ Input Power kW	n ₂ Output speed min ⁻¹	IR ratio -	T ₂ Output torque Nm	FS' Service Factor -			P _{tn} Thermal capacity kW
	310.0	3.0	22.0	3.9	P - 63 2 3	T 90S6	5.6
	306.7	3.0	22.2	3.8	P - 63 2 3	T 80C6	5.6
	235.9	3.9	28.8	4.0	P - 63 2 3.9	T 80C6	5.6
	166.3	17.2	40.1	2.2	P L 25 3 17.2	T 80A2	4.0
	163.4	17.2	40.8	2.2	P L 25 3 17.2	T 71C2	4.0
	150.0	6.2	45.4	3.9	P - 63 2 6.2	T 90S6	5.6
	148.4	6.2	45.9	3.8	P - 63 2 6.2	T 80C6	5.6
	143.1	6.5	47.5	3.9	P - 63 2 6.5	T 90S6	5.6
	141.5	6.5	48.1	3.8	P - 63 2 6.5	T 80C6	5.6
	140.2	20.4	47.5	1.9	P L 25 3 20.4	T 80A2	4.0
	137.8	20.4	48.4	1.9	P L 25 3 20.4	T 71C2	4.0
	125.7	7.4	54.1	3.5	P - 63 2 7.4	T 90S6	5.6
	124.3	7.4	54.7	3.5	P - 63 2 7.4	T 80C6	5.6
	120.2	23.8	55.4	1.6	P L 25 3 23.8	T 80A2	4.0
	118.7	24.1	57.3	3.7	P - 63 2 24.1	T 80A2	5.6
	118.1	23.8	56.4	1.6	P L 25 3 23.8	T 71C2	4.0
	116.6	24.1	58.4	3.6	P - 63 2 24.1	T 71C2	5.6
	116.3	8.0	58.5	3.7	P - 63 2 8	T 90S6	5.6
	115.0	8.0	59.2	3.6	P - 63 2 8	T 80C6	5.6
	109.6	26.1	62.1	3.5	P - 63 2 26.1	T 80A2	5.6
	107.7	26.1	63.2	3.5	P - 63 2 26.1	T 71C2	5.6
	105.9	13.5	64.2	3.9	P - 63 2 13.5	T 80B4	5.6
	104.4	27.4	63.8	1.4	P L 25 3 27.4	T 80A2	4.0
	103.3	9.0	65.8	3.5	P - 63 2 9	T 90S6	5.6
	102.6	27.4	65.0	1.4	P L 25 3 27.4	T 71C2	4.0
	102.2	9.0	66.6	3.5	P - 63 2 9	T 80C6	5.6
	99.7	28.7	66.9	3.4	P L 45 3 28.7	T 80A2	6.5
	99.3	14.4	68.5	3.2	P - 63 2 14.4	T 80B4	5.6
	97.9	28.7	68.0	3.3	P L 45 3 28.7	T 71C2	6.5
	90.2	31.7	75.4	2.9	P - 63 2 31.7	T 80A2	5.6
	89.4	10.4	76.1	3.2	P - 63 2 10.4	T 90S6	5.6
	89.4	32.0	74.5	3.0	P L 45 3 32	T 80A2	6.5
	89.4	32.0	74.5	1.2	P L 25 3 32	T 80A2	4.0
	88.6	31.7	76.8	2.9	P - 63 2 31.7	T 71C2	5.6
	88.5	10.4	76.9	3.1	P - 63 2 10.4	T 80C6	5.6
	87.8	32.0	75.8	3.0	P L 45 3 32	T 71C2	6.5
	87.8	32.0	75.8	1.2	P L 25 3 32	T 71C2	4.0
	84.6	16.9	80.4	3.1	P - 63 2 16.9	T 80B4	5.6
	83.1	17.2	80.1	1.2	P L 25 3 17.2	T 80B4	4.0
	78.8	11.8	86.3	3.0	P - 63 2 11.8	T 90S6	5.6
	78.1	36.6	87.1	2.6	P - 63 2 36.6	T 80A2	5.6
	78.0	11.8	87.3	2.9	P - 63 2 11.8	T 80C6	5.6
	77.5	36.9	86.0	1.0	P L 25 3 36.9	T 80A2	4.0
	76.8	36.6	88.6	2.5	P - 63 2 36.6	T 71C2	5.6
	76.2	36.9	87.4	1.0	P L 25 3 36.9	T 71C2	4.0
	75.6	12.3	90.0	3.4	P - 71 2 12.3	T 90S6	7.5
	74.8	12.3	91.0	3.4	P - 71 2 12.3	T 80C6	7.5
	72.2	19.8	94.2	2.7	P - 63 2 19.8	T 80B4	5.6
	70.6	40.5	96.4	2.3	P - 63 2 40.5	T 80A2	5.6
	70.1	20.4	95.1	1.1	P L 25 3 20.4	T 80B4	4.0
	69.9	40.9	95.2	2.4	P L 45 3 40.9	T 80A2	6.5
	69.8	20.5	97.5	2.4	P - 63 2 20.5	T 80B4	5.6
	69.4	40.5	98.1	2.2	P - 63 2 40.5	T 71C2	5.6
	68.9	13.5	98.8	2.6	P - 63 2 13.5	T 90S6	5.6
	68.7	40.9	97.0	2.3	P L 45 3 40.9	T 71C2	6.5
	68.2	13.5	99.9	2.6	P - 63 2 13.5	T 80C6	5.6
	67.1	42.6	99.3	0.9	P L 25 3 42.6	T 80A2	4.0
	66.0	42.6	101.0	0.9	P L 25 3 42.6	T 71C2	4.0
	65.9	43.4	101.1	2.2	P - 63 3 43.4	T 80A2	4.0
	64.8	43.4	102.9	2.1	P - 63 3 43.4	T 71C2	4.0
	64.6	14.4	105.4	2.2	P - 63 2 14.4	T 90S6	5.6
	64.0	44.7	106.3	3.8	P - 71 2 44.7	T 80A2	7.5
	63.9	14.4	106.5	2.2	P - 63 2 14.4	T 80C6	5.6
	63.3	45.2	107.6	2.0	P - 63 2 45.2	T 80A2	5.6
	62.9	44.7	108.3	3.7	P - 71 2 44.7	T 71C2	7.5
	62.6	45.7	106.5	2.1	P L 45 3 45.7	T 80A2	6.5
	62.2	45.2	109.4	2.0	P - 63 2 45.2	T 71C2	5.6
	61.5	45.7	108.3	2.1	P L 45 3 45.7	T 71C2	6.5
	60.9	47.0	109.5	1.8	P - 63 3 47	T 80A2	4.0
	60.1	23.8	110.9	0.9	P L 25 3 23.8	T 80B4	4.0
	59.8	47.0	111.4	1.8	P - 63 3 47	T 71C2	4.0
	59.4	48.1	114.5	3.9	P - 80 2 48.14	T 80A2	7.5
	59.3	24.1	114.7	2.0	P - 63 2 24.1	T 80B4	5.6
	56.6	50.5	120.1	3.3	P - 71 2 50.5	T 80A2	7.5
	56.5	25.3	120.4	3.4	P - 71 2 25.3	T 80B4	7.5
	56.2	50.9	121.0	2.6	P - 80 2 50.87	T 80A2	7.5
	55.6	50.5	122.3	3.3	P - 71 2 50.5	T 71C2	7.5
	55.0	16.9	123.6	2.1	P - 63 2 16.9	T 90S6	5.6
	54.8	26.1	124.2	1.9	P - 63 2 26.1	T 80B4	5.6
	54.4	16.9	125.0	2.0	P - 63 2 16.9	T 80C6	5.6
	54.2	52.8	123.0	1.8	P L 45 3 52.8	T 80A2	6.5
	53.8	17.3	126.6	3.8	P - 71 2 17.3	T 90S6	7.5
	53.7	53.3	124.2	1.8	P - 63 3 53.3	T 80A2	4.0
	53.5	17.2	124.6	0.9	P L 25 3 17.2	T 80C6	4.0
	53.5	53.5	124.6	3.4	P - 71 3 53.5	T 80A2	5.4
	53.2	52.8	125.2	1.8	P L 45 3 52.8	T 71C2	6.5
	53.2	17.3	127.9	3.8	P - 71 2 17.3	T 80C6	7.5
	52.7	53.3	126.3	1.7	P - 63 3 53.3	T 71C2	4.0
	52.5	53.5	126.8	3.3	P - 71 3 53.5	T 71C2	4.0
	52.2	27.4	127.6	0.8	P L 25 3 27.4	T 80B4	4.0
	52.2	54.8	127.6	0.7	P L 25 3 54.8	T 80A2	4.0
	51.5	55.5	132.1	2.4	P - 80 2 55.49	T 80A2	7.5
	50.0	57.2	133.2	1.7	P - 63 3 57.2	T 80A2	4.0
	49.8	28.7	133.6	1.9	P L 45 3 28.7	T 80B4	6.5
	49.7	18.7	136.8	3.5	P - 71 2 18.7	T 90S6	7.5



0,75



P ₁ Input Power kW	n ₂ Output speed min ⁻¹	IR ratio -	T2 Output torque Nm	FS' Service Factor -	 GEAR	 EU	P _{tn} Thermal capacity kW
0,75	49,7	28,8	137,1	3,4	P - 71 2 28.8	T 80B4	7,5
	49,2	18,7	138,3	3,5	P - 71 2 18.7	T 80C6	7,5
	49,1	57,2	135,6	1,7	P - 63 3 57.2	T 71C2	4,0
	47,6	60,1	139,9	1,6	P L 45 3 60.1	T 80A2	6,5
	47,0	60,8	141,6	3,0	P - 71 3 60.8	T 80A2	5,4
	47,0	19,8	144,9	1,8	P - 63 2 19.8	T 90S6	5,6
	46,8	60,1	142,4	1,6	P L 45 3 60.1	T 71C2	6,5
	46,5	19,8	146,4	1,7	P - 63 2 19.8	T 80C6	5,6
	46,3	61,8	147,0	2,1	P - 80 2 61.79	T 80A2	7,5
	46,3	61,8	144,0	1,6	P - 63 3 61.8	T 80A2	4,0
	46,2	60,8	144,1	2,9	P - 71 3 60.8	T 71C2	5,4
	46,0	20,2	147,8	3,2	P - 71 2 20.2	T 90S6	7,5
	45,5	20,2	149,4	3,2	P - 71 2 20.2	T 80C6	7,5
	45,5	61,8	146,4	1,6	P - 63 3 61.8	T 71C2	4,0
	45,4	20,5	150,0	1,6	P - 63 2 20.5	T 90S6	5,6
	45,1	31,7	150,9	1,6	P - 63 2 31.7	T 80B4	5,6
	45,1	20,4	147,6	0,7	P L 25 3 20.4	T 80C6	4,0
	44,9	20,5	151,6	1,6	P - 63 2 20.5	T 80C6	5,6
	44,7	32,0	149,0	1,7	P L 45 3 32	T 80B4	6,5
	44,6	64,2	149,5	2,8	P - 71 3 64.2	T 80A2	5,4
	44,4	64,4	150,0	3,6	P L 65 3 64.4	T 80A2	8,0
	44,3	32,3	150,5	4,0	P L 65 3 32.3	T 80B4	8,0
	43,8	64,2	152,2	2,8	P - 71 3 64.2	T 71C2	5,4
	43,6	64,4	152,7	3,5	P L 65 3 64.4	T 71C2	8,0
	43,2	33,1	157,5	2,6	P - 71 2 33.1	T 80B4	7,5
	42,5	21,9	160,2	3,0	P - 71 2 21.9	T 90S6	7,5
	42,0	21,9	161,9	3,0	P - 71 2 21.9	T 80C6	7,5
	41,1	34,8	165,6	3,6	P - 80 2 34.79	T 80B4	7,5
	41,1	69,6	162,2	1,5	P - 63 3 69.6	T 80A2	4,0
	40,5	70,6	164,5	1,4	P L 45 3 70.6	T 80A2	6,5
	40,4	69,6	165,0	1,5	P - 63 3 69.6	T 71C2	4,0
	39,8	70,6	167,4	1,3	P L 45 3 70.6	T 71C2	6,5
	39,1	36,6	174,1	1,4	P - 63 2 36.6	T 80B4	5,6
	38,9	23,9	174,8	3,7	P - 80 2 23.89	T 90S6	7,5
	38,6	24,1	176,3	1,4	P - 63 2 24.1	T 90S6	5,6
	38,5	23,9	176,7	3,7	P - 80 2 23.89	T 80C6	7,5
	38,4	74,4	173,3	3,1	P L 65 3 74.4	T 80A2	8,0
	38,3	37,3	177,4	2,3	P - 71 2 37.3	T 80B4	7,5
	38,2	24,1	178,2	1,4	P - 63 2 24.1	T 80C6	5,6
	38,0	37,6	175,2	3,4	P L 65 3 37.6	T 80B4	8,0
	37,9	75,4	175,6	2,4	P - 71 3 75.4	T 80A2	5,4
	37,9	75,4	175,6	1,4	P - 63 3 75.4	T 80A2	4,0
	37,8	74,4	176,4	3,1	P L 65 3 74.4	T 71C2	8,0
	37,7	38,0	180,6	3,3	P - 80 2 37.95	T 80B4	7,5
	37,3	75,4	178,8	2,3	P - 71 3 75.4	T 71C2	5,4
	37,3	75,4	178,7	1,3	P - 63 3 75.4	T 71C2	4,0
	36,8	25,3	185,1	2,2	P - 71 2 25.3	T 90S6	7,5
	36,4	25,3	187,2	2,2	P - 71 2 25.3	T 80C6	7,5
	36,2	39,5	184,0	2,5	P - 71 3 39.5	T 80B4	5,4
	36,1	39,6	188,6	2,7	P - 80 2 39.63	T 80B4	7,5
35,6	26,1	190,9	1,3	P - 63 2 26.1	T 90S6	5,6	
35,4	40,4	192,2	3,7	P - 90 2 40.4	T 80B4	10,5	
35,4	26,3	192,5	3,4	P - 80 2 26.3	T 90S6	7,5	
35,3	40,5	192,7	1,2	P - 63 2 40.5	T 80B4	5,6	
35,3	26,1	193,1	1,3	P - 63 2 26.1	T 80C6	5,6	
35,2	26,4	189,1	3,4	P L 65 3 26.4	T 90S6	8,0	
35,1	81,4	189,5	1,3	P - 63 3 81.4	T 80A2	4,0	
35,0	26,3	194,5	3,4	P - 80 2 26.3	T 80C6	7,5	
35,0	40,9	190,5	1,3	P L 45 3 40.9	T 80B4	6,5	
34,9	26,4	191,1	3,4	P L 65 3 26.4	T 80C6	8,0	
34,5	81,4	192,9	1,2	P - 63 3 81.4	T 71C2	4,0	
33,9	42,3	201,0	2,5	P - 80 2 42.25	T 80B4	7,5	
33,5	85,4	198,9	2,7	P L 65 3 85.4	T 80A2	8,0	
33,4	85,7	199,7	1,1	P L 45 3 85.7	T 80A2	6,5	
33,0	86,8	202,2	2,1	P - 71 3 86.8	T 80A2	5,4	
33,0	43,4	202,3	1,2	P - 63 3 43.4	T 80B4	4,0	
32,9	85,4	202,5	2,7	P L 65 3 85.4	T 71C2	8,0	
32,8	85,7	203,1	1,1	P L 45 3 85.7	T 71C2	6,5	
32,8	28,4	207,6	3,1	P - 80 2 28.38	T 90S6	7,5	
32,4	28,4	209,9	3,1	P - 80 2 28.38	T 80C6	7,5	
32,4	28,7	205,6	1,3	P L 45 3 28.7	T 90S6	6,5	
32,4	86,8	205,7	2,0	P - 71 3 86.8	T 71C2	5,4	
32,4	88,4	205,9	1,2	P - 63 3 88.4	T 80A2	4,0	
32,3	28,8	210,8	2,2	P - 71 2 28.8	T 90S6	7,5	
32,1	28,7	207,7	1,3	P L 45 3 28.7	T 80C6	6,5	
32,0	44,7	212,7	2,2	P - 71 2 44.7	T 80B4	7,5	
31,9	28,8	213,1	2,2	P - 71 2 28.8	T 80C6	7,5	
31,8	88,4	209,5	1,1	P - 63 3 88.4	T 71C2	4,0	
31,6	45,2	215,1	1,1	P - 63 2 45.2	T 80B4	5,6	
31,3	45,7	212,8	1,2	P L 45 3 45.7	T 80B4	6,5	
31,3	91,5	213,1	2,0	P - 71 3 91.5	T 80A2	5,4	
31,1	46,0	214,3	2,8	P L 65 3 46	T 80B4	8,0	
30,9	30,2	220,5	3,0	P - 80 2 30.15	T 90S6	7,5	
30,7	91,5	216,9	1,9	P - 71 3 91.5	T 71C2	5,4	
30,7	93,3	217,3	3,7	P - 90 3 93.3	T 80A2	7,5	
30,5	30,2	223,0	2,9	P - 80 2 30.15	T 80C6	7,5	
30,4	47,0	218,8	1,1	P - 63 3 47	T 80B4	4,0	
30,1	93,3	221,2	3,6	P - 90 3 93.3	T 71C2	7,5	
29,7	48,1	229,1	2,2	P - 80 2 48.14	T 80B4	7,5	
29,3	31,7	232,1	1,1	P - 63 2 31.7	T 90S6	5,6	
29,1	32,0	229,3	1,2	P L 45 3 32	T 90S6	6,5	
29,0	31,7	234,4	1,1	P - 63 2 31.7	T 80C6	5,6	
28,9	98,9	230,5	1,0	P - 63 3 98.9	T 80A2	4,0	
28,9	99,0	230,5	2,3	P L 65 3 99	T 80A2	8,0	
28,8	99,3	231,3	1,8	P - 71 3 99.3	T 80A2	5,4	



HIGH TECH *line* Motion

P ₁ Input Power kW	n ₂ Output speed min ⁻¹	IR ratio -	T ₂ Output torque Nm	FS' Service Factor -			P _{tn} Thermal capacity kW
	28,8	32,3	231,4	2,8	P L 65 3 32,3	T 90S6	8,0
	28,8	32,0	231,7	1,2	P L 45 3 32	T 80C6	6,5
	28,5	32,3	233,9	2,8	P L 65 3 32,3	T 80C6	8,0
	28,4	100,6	234,3	3,4	P - 90 3 100,6	T 80A2	7,5
	28,4	98,9	234,4	1,0	P - 63 3 98,9	T 71C2	4,0
	28,4	100,7	234,7	1,0	P L 45 3 100,7	T 80A2	6,5
	28,4	99,0	234,6	2,3	P L 65 3 99	T 71C2	8,0
	28,3	50,5	240,3	1,9	P - 71 2 50,5	T 80B4	7,5
	28,3	99,3	235,4	1,8	P - 71 3 99,3	T 71C2	5,4
	28,1	50,9	242,2	1,4	P - 80 2 50,87	T 80B4	7,5
	28,1	33,1	242,1	1,7	P - 71 2 33,1	T 90S6	7,5
	28,1	50,9	242,2	3,6	P - 90 2 50,9	T 80B4	10,5
	27,9	100,6	238,5	3,4	P - 90 3 100,6	T 71C2	7,5
	27,9	100,7	238,7	0,9	P L 45 3 100,7	T 71C2	6,5
	27,8	33,1	244,8	1,7	P - 71 2 33,1	T 80C6	7,5
	27,1	52,8	246,1	1,0	P L 45 3 52,8	T 80B4	6,5
	26,8	53,3	248,3	1,0	P - 63 3 53,3	T 80B4	4,0
	26,7	34,8	254,5	2,6	P - 80 2 34,79	T 90S6	7,5
	26,7	53,5	249,3	1,8	P - 71 3 53,5	T 80B4	5,4
	26,7	107,1	249,6	0,9	P L 45 3 107,1	T 80A2	6,5
	26,6	107,5	250,4	1,7	P - 71 3 107,5	T 80A2	5,4
	26,6	35,0	256,1	3,5	P - 90 2 35	T 90S6	10,5
	26,4	34,8	257,4	2,5	P - 80 2 34,79	T 80C6	7,5
	26,3	54,3	253,0	2,4	P L 65 3 54,3	T 80B4	8,0
	26,3	35,0	258,8	3,4	P - 90 2 35	T 80C6	10,5
	26,3	108,9	253,6	3,6	P - 90 3 108,9	T 80A2	7,5
	26,2	107,1	253,8	0,9	P L 45 3 107,1	T 71C2	6,5
	26,1	107,5	254,9	1,6	P - 71 3 107,5	T 71C2	5,4
	25,9	55,2	257,1	3,5	P - 90 3 55,2	T 80B4	7,5
	25,8	108,9	258,2	3,5	P - 90 3 108,9	T 71C2	7,5
	25,8	55,5	264,1	1,3	P - 80 2 55,49	T 80B4	7,5
	25,4	36,6	267,9	0,9	P - 63 2 36,6	T 90S6	5,6
	25,1	36,6	270,6	0,9	P - 63 2 36,6	T 80C6	5,6
	25,0	57,2	266,3	0,9	P - 63 3 57,2	T 80B4	4,0
	25,0	114,4	266,3	0,9	P - 63 3 114,4	T 80A2	4,0
	24,9	37,3	272,8	1,5	P - 71 2 37,3	T 90S6	7,5
	24,7	37,6	269,3	2,4	P L 65 3 37,6	T 90S6	8,0
	24,7	37,3	276,0	1,5	P - 71 2 37,3	T 80C6	7,5
	24,6	116,2	270,7	2,0	P L 65 3 116,2	T 80A2	8,0
	24,6	114,4	271,1	0,9	P - 63 3 114,4	T 71C2	4,0
	24,5	38,0	277,6	2,4	P - 80 2 37,95	T 90S6	7,5
	24,5	37,6	272,2	2,4	P L 65 3 37,6	T 80C6	8,0
	24,2	38,0	280,6	2,3	P - 80 2 37,95	T 80C6	7,5
	24,2	116,2	275,5	2,0	P L 65 3 116,2	T 71C2	8,0
	24,0	38,7	277,2	3,4	P - 90 3 38,7	T 90S6	7,5
	23,8	60,1	279,9	0,9	P L 45 3 60,1	T 80B4	6,5
	23,8	38,7	280,2	3,4	P - 90 3 38,7	T 80C6	7,5
	23,5	39,5	282,9	1,7	P - 71 3 39,5	T 90S6	5,4
	23,5	60,8	283,3	1,6	P - 71 3 60,8	T 80B4	5,4
	23,5	39,6	290,0	1,9	P - 80 2 39,63	T 90S6	7,5
	23,3	39,5	286,1	1,6	P - 71 3 39,5	T 80C6	5,4
	23,2	39,6	293,1	1,9	P - 80 2 39,63	T 80C6	7,5
	23,1	61,8	294,0	1,2	P - 80 2 61,79	T 80B4	7,5
	23,1	61,8	288,0	0,9	P - 63 3 61,8	T 80B4	4,0
	23,1	123,8	288,5	1,5	P - 71 3 123,8	T 80A2	5,4
	23,0	40,4	295,6	2,6	P - 90 2 40,4	T 90S6	10,5
	23,0	40,5	296,5	0,8	P - 63 2 40,5	T 90S6	5,6
	23,0	62,3	290,3	3,1	P - 90 3 62,3	T 80B4	7,5
	22,9	125,0	291,2	3,1	P - 90 3 125	T 80A2	7,5
	22,8	40,4	298,9	2,5	P - 90 2 40,4	T 80C6	10,5
	22,7	40,9	293,1	0,9	P L 45 3 40,9	T 90S6	6,5
	22,7	40,5	299,5	0,8	P - 63 2 40,5	T 80C6	5,6
	22,7	123,8	293,6	1,4	P - 71 3 123,8	T 71C2	5,4
	22,5	40,9	296,1	0,9	P L 45 3 40,9	T 80C6	6,5
	22,5	125,0	296,4	3,1	P - 90 3 125	T 71C2	7,5
	22,3	64,2	299,2	1,5	P - 71 3 64,2	T 80B4	5,4
	22,2	64,4	300,0	2,0	P L 65 3 64,4	T 80B4	8,0
	22,0	42,3	309,1	1,8	P - 80 2 42,25	T 90S6	7,5
	21,8	42,3	312,4	1,7	P - 80 2 42,25	T 80C6	7,5
	21,6	132,7	309,1	0,7	P L 45 3 132,7	T 80A2	6,5
	21,3	134,3	312,8	1,3	P - 71 3 134,3	T 80A2	5,4
	21,3	43,7	313,1	3,0	P - 90 3 43,7	T 90S6	7,5
	21,2	43,4	314,1	0,8	P - 63 3 43,4	T 80C6	4,0
	21,2	132,7	314,2	0,7	P L 45 3 132,7	T 71C2	6,5
	21,1	135,4	315,2	0,8	P - 63 3 135,4	T 80A2	4,0
	21,1	44,1	322,7	2,9	P - 90 2 44,1	T 90S6	10,5
	21,1	43,7	316,4	3,0	P - 90 3 43,7	T 80C6	7,5
	20,9	134,3	318,5	1,3	P - 71 3 134,3	T 71C2	5,4
	20,9	136,8	318,5	3,4	P L 85 3 136,8	T 80A2	11,0
	20,9	44,1	326,2	2,9	P - 90 2 44,1	T 80C6	10,5
	20,8	44,7	327,0	1,4	P - 71 2 44,7	T 90S6	7,5
	20,8	135,4	320,9	0,7	P - 63 3 135,4	T 71C2	4,0
	20,6	138,8	323,2	1,7	P L 65 3 138,8	T 80A2	8,0
	20,6	44,7	330,8	1,4	P - 71 2 44,7	T 80C6	7,5
	20,6	69,6	324,4	0,8	P - 63 3 69,6	T 80B4	4,0
	20,5	136,8	324,3	3,3	P L 85 3 136,8	T 71C2	11,0
	20,4	45,7	327,1	0,8	P L 45 3 45,7	T 90S6	6,5
	20,3	141,0	328,4	2,8	P - 90 3 141	T 80A2	7,5
	20,3	70,6	328,9	2,8	P - 90 3 70,6	T 80B4	7,5
	20,3	70,6	328,9	0,8	P L 45 3 70,6	T 80B4	6,5
	20,2	138,8	329,0	1,6	P L 65 3 138,8	T 71C2	8,0
	20,2	46,0	329,4	2,0	P L 65 3 46	T 90S6	8,0
	20,1	45,7	330,9	0,8	P L 45 3 45,7	T 80C6	6,5
	20,0	46,0	333,0	2,0	P L 65 3 46	T 80C6	8,0
	19,9	141,0	334,2	2,7	P - 90 3 141	T 71C2	7,5

0,75





P ₁ Input Power kW	n ₂ Output speed min ⁻¹	IR ratio -	T2 Ouput torque Nm	FS' Service Factor -	 GEAR	 EU	P _{tn} Thermal capacity kW
	19,6	47,0	340,3	0,7	P - 63 3 47	T 80C6	4,0
	19,3	74,0	344,8	3,5	P L 85 3 74	T 80B4	11,0
	19,3	48,1	352,3	1,5	P - 80 2 48.14	T 90S6	7,5
	19,2	74,4	346,7	1,7	P L 65 3 74.4	T 80B4	8,0
	19,1	48,1	356,0	1,5	P - 80 2 48.14	T 80C6	7,5
	19,1	48,8	349,5	2,7	P - 90 3 48.8	T 90S6	7,5
	19,0	75,4	351,0	1,3	P - 71 3 75.4	T 80B4	5,4
	19,0	75,4	351,1	0,7	P - 63 3 75.4	T 80B4	4,0
	18,9	48,8	353,3	2,7	P - 90 3 48.8	T 80C6	7,5
	18,7	76,3	355,5	2,6	P - 90 3 76.3	T 80B4	7,5
	18,7	152,8	355,9	1,5	P L 65 3 152.8	T 80A2	8,0
	18,5	154,8	360,4	1,2	P - 71 3 154.8	T 80A2	5,4
	18,4	155,2	361,5	2,5	P - 90 3 155.2	T 80A2	7,5
	18,4	50,5	369,4	1,2	P - 71 2 50.5	T 90S6	7,5
	18,4	152,8	362,3	1,5	P L 65 3 152.8	T 71C2	8,0
	18,3	50,9	372,2	1,0	P - 80 2 50.87	T 90S6	7,5
	18,3	50,9	372,5	2,6	P - 90 2 50.9	T 90S6	10,5
	18,2	50,5	373,4	1,2	P - 71 2 50.5	T 80C6	7,5
	18,2	154,8	367,1	1,1	P - 71 3 154.8	T 71C2	5,4
	18,1	155,2	367,7	2,5	P - 90 3 155.2	T 71C2	7,5
	18,1	50,9	376,1	1,0	P - 80 2 50.87	T 80C6	7,5
	18,1	50,9	376,6	2,5	P - 90 2 50.9	T 80C6	10,5
	17,9	160,0	372,6	2,9	P L 85 3 160	T 80A2	11,0
	17,6	52,8	378,5	0,7	P L 45 3 52.8	T 90S6	6,5
	17,6	160,0	379,4	2,8	P L 85 3 160	T 71C2	11,0
	17,5	163,2	380,0	1,1	P - 71 3 163.2	T 80A2	5,4
	17,4	52,8	382,1	0,7	P L 45 3 52.8	T 80C6	6,5
	17,4	53,5	383,3	1,2	P - 71 3 53.5	T 90S6	5,4
	17,3	82,8	385,8	2,4	P - 90 3 82.8	T 80B4	7,5
	17,2	163,2	387,0	1,1	P - 71 3 163.2	T 71C2	5,4
	17,2	53,5	387,2	1,2	P - 71 3 53.5	T 80C6	5,4
	17,1	167,0	388,9	3,9	P - 112 3 167	T 80A2	11,8
	17,1	54,3	388,8	1,7	P L 65 3 54.3	T 90S6	8,0
	16,9	54,3	393,1	1,7	P L 65 3 54.3	T 80C6	8,0
	16,9	55,2	395,3	2,4	P - 90 3 55.2	T 90S6	7,5
	16,8	84,9	395,6	3,0	P L 85 3 84.9	T 80B4	11,0
	16,8	55,5	406,0	0,9	P - 80 2 55.49	T 90S6	7,5
	16,7	85,4	397,9	1,5	P L 65 3 85.4	T 80B4	8,0
	16,7	55,2	399,5	2,4	P - 90 3 55.2	T 80C6	7,5
	16,6	55,5	410,7	0,9	P - 80 2 55.49	T 80C6	7,5
	16,5	56,3	403,2	3,2	P L 85 3 56.3	T 90S6	11,0
	16,5	86,8	404,5	1,1	P - 71 3 86.8	T 80B4	5,4
	16,3	56,3	407,6	3,2	P L 85 3 56.3	T 80C6	11,0
	16,3	175,4	408,3	1,3	P L 65 3 175.4	T 80A2	8,0
	16,1	178,1	414,6	2,2	P - 90 3 178.1	T 80A2	7,5
	16,0	175,4	415,8	1,3	P L 65 3 175.4	T 71C2	8,0
	15,8	178,1	422,1	2,2	P - 90 3 178.1	T 71C2	7,5
	15,6	91,5	425,9	1,1	P - 71 3 91.5	T 80B4	5,4
	15,5	184,6	429,9	2,5	P L 85 3 184.6	T 80A2	11,0
	15,3	93,3	434,4	2,1	P - 90 3 93.3	T 80B4	7,5
	15,3	60,8	435,6	1,1	P - 71 3 60.8	T 90S6	5,4
	15,2	184,6	437,6	2,5	P L 85 3 184.6	T 71C2	11,0
	15,1	60,8	440,1	1,0	P - 71 3 60.8	T 80C6	5,4
	15,1	61,8	452,3	0,8	P - 80 2 61.79	T 90S6	7,5
	14,9	191,5	446,1	3,4	P - 112 3 191.5	T 80A2	11,8
	14,9	62,3	446,0	2,1	P - 90 3 62.3	T 90S6	7,5
	14,9	191,6	446,4	1,0	P - 71 3 191.6	T 80A2	5,4
	14,9	61,8	457,3	0,8	P - 80 2 61.79	T 80C6	7,5
	14,8	62,3	450,9	2,1	P - 90 3 62.3	T 80C6	7,5
	14,7	191,6	454,2	1,0	P - 71 3 191.6	T 71C2	5,4
	14,6	98,0	456,6	2,6	P L 85 3 98	T 80B4	11,0
	14,6	63,9	457,7	2,8	P L 85 3 63.9	T 90S6	11,0
	14,5	64,2	459,6	1,0	P - 71 3 64.2	T 90S6	5,4
	14,5	197,9	460,8	1,2	P L 65 3 197.9	T 80A2	8,0
	14,4	64,4	461,2	1,4	P L 65 3 64.4	T 90S6	8,0
	14,4	99,0	461,1	1,3	P L 65 3 99	T 80B4	8,0
	14,4	63,9	462,5	2,8	P L 85 3 63.9	T 80C6	11,0
	14,4	99,3	462,5	1,0	P - 71 3 99.3	T 80B4	5,4
	14,3	64,2	465,0	1,0	P - 71 3 64.2	T 80C6	5,4
	14,3	64,4	466,1	1,4	P L 65 3 64.4	T 80C6	8,0
	14,2	201,0	468,1	1,9	P - 90 3 201	T 80A2	7,5
	14,2	100,6	468,8	1,9	P - 90 3 100.6	T 80B4	7,5
	14,2	197,9	469,3	1,2	P L 65 3 197.9	T 71C2	8,0
	14,0	204,1	475,4	2,3	P L 85 3 204.1	T 80A2	11,0
	14,0	201,0	476,6	1,9	P - 90 3 201	T 71C2	7,5
	13,8	67,4	482,7	3,9	P - 112 3 67.4	T 90S6	11,8
	13,8	204,1	483,9	2,2	P L 85 3 204.1	T 71C2	11,0
	13,7	67,4	487,9	3,8	P - 112 3 67.4	T 80C6	11,8
	13,4	214,0	498,5	2,2	P L 85 3 214	T 80A2	11,0
	13,3	107,5	500,7	0,9	P - 71 3 107.5	T 80B4	5,4
	13,2	108,4	505,0	3,5	P - 112 3 108.4	T 80B4	11,8
	13,2	70,6	505,9	1,9	P - 90 3 70.6	T 90S6	7,5
	13,1	214,0	507,2	2,1	P L 85 3 214	T 71C2	11,0
	13,1	108,9	507,4	1,8	P - 90 3 108.9	T 80B4	7,5
	13,0	70,6	511,4	1,8	P - 90 3 70.6	T 80C6	7,5
	13,0	220,9	514,4	2,9	P - 112 3 220.9	T 80A2	11,8
	13,0	220,8	514,5	0,9	P - 71 3 220.8	T 80A2	5,4
	12,8	72,6	519,9	3,6	P - 112 3 72.6	T 90S6	11,8
	12,8	224,4	522,6	1,7	P - 90 3 224.4	T 80A2	7,5
	12,7	220,8	523,3	0,9	P - 71 3 220.8	T 71C2	5,4
	12,7	72,6	525,8	3,5	P - 112 3 72.6	T 80C6	11,8
	12,6	113,5	528,8	2,3	P L 85 3 113.5	T 80B4	11,0
	12,6	74,0	529,9	2,5	P L 85 3 74	T 90S6	11,0
	12,5	224,4	532,0	1,7	P - 90 3 224.4	T 71C2	7,5
	12,5	74,4	532,8	1,2	P L 65 3 74.4	T 90S6	8,0

0,75



**0.75
kW**

HIGH TECH *line* Motion

P₁ Input Power kW	n₂ Output speed min ⁻¹	IR ratio -	T₂ Output torque Nm	FS' Service Factor -	 GEAR	 EU	P_{tn} Thermal capacity kW
	12,4	74,0	536,0	2,4	P L 85 3 74	T 80C6	11,0
	12,4	74,4	538,7	1,2	P L 65 3 74,4	T 80C6	8,0
	12,3	75,4	540,6	0,9	P - 71 3 75,4	T 90S6	5,4
	12,3	116,2	540,9	1,1	P L 65 3 116,2	T 80B4	8,0
	12,2	234,0	545,1	2,0	P L 85 3 234	T 80A2	11,0
	12,2	117,2	546,0	3,2	P - 112 3 117,2	T 80B4	11,8
	12,2	75,4	545,7	0,9	P - 71 3 75,4	T 80C6	5,4
	12,2	76,3	546,5	1,7	P - 90 3 76,3	T 90S6	7,5
	12,1	76,3	552,4	1,7	P - 90 3 76,3	T 80C6	7,5
	12,0	234,0	554,8	1,9	P L 85 3 234	T 71C2	11,0
	11,9	241,0	561,1	2,7	P - 112 3 241	T 80A2	11,8
	11,9	78,5	562,0	3,3	P - 112 3 78,5	T 90S6	11,8
	11,8	243,2	566,3	3,7	P L 95 3 243,2	T 80A2	16,0
	11,7	78,5	568,5	3,3	P - 112 3 78,5	T 80C6	11,8
	11,6	123,8	576,9	0,8	P - 71 3 123,8	T 80B4	5,4
	11,4	125,0	582,3	1,6	P - 90 3 125	T 80B4	7,5
	11,3	253,2	589,4	1,5	P - 90 3 253,2	T 80A2	7,5
	11,2	82,8	593,1	1,6	P - 90 3 82,8	T 90S6	7,5
	11,2	128,3	597,4	2,9	P - 112 3 128,3	T 80B4	11,8
	11,1	82,8	599,6	1,6	P - 90 3 82,8	T 80C6	7,5
	11,1	253,2	600,3	1,5	P - 90 3 253,2	T 71C2	7,5
	11,0	84,9	608,2	2,1	P L 85 3 84,9	T 90S6	11,0
	10,9	85,4	611,7	1,1	P L 65 3 85,4	T 90S6	8,0
	10,8	84,9	614,4	2,1	P L 85 3 84,9	T 80C6	11,0
	10,8	86,0	616,2	3,9	P L 95 3 86	T 90S6	16,0
	10,8	85,4	618,7	1,1	P L 65 3 85,4	T 80C6	8,0
	10,7	266,2	620,3	3,4	P L 95 3 266,2	T 80A2	16,0
	10,7	86,8	621,7	0,8	P - 71 3 86,8	T 90S6	5,4
	10,7	86,0	622,6	3,9	P L 95 3 86	T 80C6	16,0
	10,7	87,3	625,6	3,0	P - 112 3 87,3	T 90S6	11,8
	10,7	134,3	625,0	0,7	P - 71 3 134,3	T 80B4	5,4
	10,6	134,4	626,1	3,8	P L 95 3 134,4	T 80B4	16,0
	10,6	86,8	628,3	0,7	P - 71 3 86,8	T 80C6	5,4
	10,6	270,0	628,9	1,7	P L 85 3 270	T 80A2	11,0
	10,5	87,3	632,1	2,9	P - 112 3 87,3	T 80C6	11,8
	10,5	136,8	637,4	1,9	P L 85 3 136,8	T 80B4	11,0
	10,4	270,0	639,8	1,7	P L 85 3 270	T 71C2	11,0
	10,3	138,8	646,6	0,9	P L 65 3 138,8	T 80B4	8,0
	10,3	278,1	648,0	2,3	P - 112 3 278,1	T 80A2	11,8
	10,2	91,5	655,2	0,7	P - 71 3 91,5	T 90S6	5,4
	10,1	141,0	656,9	1,4	P - 90 3 141	T 80B4	7,5
	10,1	91,5	662,6	0,7	P - 71 3 91,5	T 80C6	5,4
	10,0	93,3	668,0	1,4	P - 90 3 93,3	T 90S6	7,5
	9,9	93,6	670,0	2,8	P - 112 3 93,6	T 90S6	11,8
	9,9	93,3	675,6	1,4	P - 90 3 93,3	T 80C6	7,5
	9,8	93,6	677,5	2,7	P - 112 3 93,6	T 80C6	11,8
	9,7	148,0	689,7	2,5	P - 112 3 148	T 80B4	11,8
	9,5	98,0	701,9	1,9	P L 85 3 98	T 90S6	11,0
	9,5	98,4	704,8	3,4	P L 95 3 98,4	T 90S6	16,0
	9,4	98,0	709,6	1,8	P L 85 3 98	T 80C6	11,0
	9,4	99,0	709,6	0,9	P L 65 3 99	T 90S6	8,0
	9,4	152,8	712,0	0,8	P L 65 3 152,8	T 80B4	8,0
	9,4	98,4	712,3	3,4	P L 95 3 98,4	T 80C6	16,0
	9,3	99,0	716,9	0,9	P L 65 3 99	T 80C6	8,0
	9,2	100,6	721,0	1,3	P - 90 3 100,6	T 90S6	7,5
	9,2	155,2	723,0	1,3	P - 90 3 155,2	T 80B4	7,5
	9,2	100,6	727,7	1,3	P - 90 3 100,6	T 80C6	7,5
	9,0	158,9	740,1	3,2	P L 95 3 158,9	T 80B4	16,0
	8,9	160,0	745,0	1,6	P L 85 3 160	T 80B4	11,0
	8,6	108,4	776,3	2,4	P - 112 3 108,4	T 90S6	11,8
	8,6	167,0	778,0	2,2	P - 112 3 167	T 80B4	11,8
	8,5	108,9	779,7	1,2	P - 90 3 108,9	T 90S6	7,5
	8,5	108,4	784,6	2,4	P - 112 3 108,4	T 80C6	11,8
	8,5	108,9	788,4	1,2	P - 90 3 108,9	T 80C6	7,5
	8,2	113,5	813,2	1,6	P L 85 3 113,5	T 90S6	11,0
	8,2	350,3	789,1	3,2	P E 125 350,27	T 80A2	10,5
	8,2	175,4	816,7	0,7	P L 65 3 175,4	T 80B4	8,0
	8,1	113,5	821,4	1,6	P L 85 3 113,5	T 80C6	11,0
	8,0	178,1	829,3	1,1	P - 90 3 178,1	T 80B4	7,5
	8,0	350,3	803,7	3,1	P E 125 350,27	T 71C2	10,5
	8,0	116,0	830,6	2,9	P L 95 3 116	T 90S6	16,0
	8,0	116,2	833,3	0,8	P L 65 3 116,2	T 90S6	8,0
	7,9	117,2	838,8	2,2	P - 112 3 117,2	T 90S6	11,8
	7,9	116,0	839,9	2,9	P L 95 3 116	T 80C6	16,0
	7,9	116,2	840,5	0,8	P L 65 3 116,2	T 80C6	8,0
	7,9	117,2	848,5	2,2	P - 112 3 117,2	T 80C6	11,8
	7,8	184,6	859,6	1,4	P L 85 3 184,6	T 80B4	11,0
	7,6	187,1	871,7	2,8	P L 95 3 187,1	T 80B4	16,0
	7,5	191,5	891,6	2,0	P - 112 3 191,5	T 80B4	11,8
	7,5	383,9	865,2	3,7	P E 125 383,88	T 80A2	10,5
	7,4	125,0	894,9	1,1	P - 90 3 125	T 90S6	7,5
	7,4	125,0	905,2	1,0	P - 90 3 125	T 80C6	7,5
	7,3	383,9	880,7	3,6	P E 125 383,88	T 71C2	10,5
	7,3	128,3	919,0	2,0	P - 112 3 128,3	T 90S6	11,8
	7,2	387,9	890,4	3,9	P E 132 387,9	T 71C2	12,0
	7,2	199,5	928,8	2,6	P L 95 3 199,5	T 80B4	16,0
	7,2	128,3	928,8	2,0	P - 112 3 128,3	T 80C6	11,8
	7,1	201,0	937,5	1,0	P - 90 3 201	T 80B4	7,5
	7,0	204,1	950,4	1,3	P L 85 3 204,1	T 80B4	11,0
	6,9	134,4	962,6	2,5	P L 95 3 134,4	T 90S6	16,0
	6,9	416,3	938,2	3,4	P E 125 416,28	T 80A2	10,5
	6,9	134,4	972,4	2,5	P L 95 3 134,4	T 80C6	16,0
	6,8	136,8	979,9	1,3	P L 85 3 136,8	T 90S6	11,0
	6,8	416,3	955,0	3,4	P E 125 416,28	T 71C2	10,5
	6,7	136,8	989,8	1,3	P L 85 3 136,8	T 80C6	11,0

0,75



P ₁ Input Power kW	n ₂ Output speed min ⁻¹	IR ratio -	T ₂ Output torque Nm	FS' Service Factor -	 GEAR	 EU	P _{tn} Thermal capacity kW
0,75	6,7	214,0	996,7	1,2	P L 85 3 214	T 80B4	11,0
	6,7	139,9	1012,6	3,7	P L 105 3 139,9	T 90S6	22,0
	6,6	141,0	1009,6	0,9	P - 90 3 141	T 90S6	7,5
	6,6	139,9	1023,0	3,6	P L 105 3 139,9	T 80C6	22,0
	6,5	141,0	1021,3	0,9	P - 90 3 141	T 80C6	7,5
	6,5	439,7	991,7	3,5	P E 132 439,72	T 80A2	12,0
	6,5	220,9	1029,4	1,7	P - 112 3 220,9	T 80B4	11,8
	6,5	221,3	1030,9	2,3	P L 95 3 221,3	T 80B4	16,0
	6,4	439,7	1008,8	3,5	P E 132 439,72	T 71C2	12,0
	6,4	224,4	1045,2	0,9	P - 90 3 224,4	T 80B4	7,5
	6,3	227,3	1025,0	3,4	P E 125 227,28	T 80B4	10,5
	6,3	148,0	1060,8	1,8	P - 112 3 148	T 90S6	11,8
	6,2	148,0	1070,6	1,7	P - 112 3 148	T 80C6	11,8
	6,2	461,9	1041,2	3,1	P E 125 461,93	T 80A2	10,5
	6,1	151,5	1050,0	3,3	P E 125 151,48	T 90S6	10,5
	6,1	234,0	1054,9	3,8	P E 132 234	T 80B4	12,0
	6,1	234,0	1089,6	1,1	P L 85 3 234	T 80B4	11,0
	6,1	461,9	1060,1	3,0	P E 125 461,93	T 71C2	10,5
	6,1	151,5	1061,9	3,3	P E 125 151,48	T 80C6	10,5
	6,0	153,9	1114,6	3,4	P L 105 3 153,9	T 90S6	22,0
	6,0	155,2	1112,6	0,8	P - 90 3 155,2	T 90S6	7,5
	6,0	153,9	1125,7	3,3	P L 105 3 153,9	T 80C6	22,0
	5,9	241,0	1123,7	1,6	P - 112 3 241	T 80B4	11,8
	5,9	155,2	1123,2	0,8	P - 90 3 155,2	T 80C6	7,5
	5,9	483,9	1090,6	3,2	P E 132 483,92	T 80A2	12,0
	5,9	243,2	1132,8	2,1	P L 95 3 243,2	T 80B4	16,0
	5,9	158,6	1098,1	3,6	P E 132 158,56	T 90S6	12,0
	5,9	158,9	1138,5	2,1	P L 95 3 158,9	T 90S6	16,0
	5,8	483,9	1109,5	3,2	P E 132 483,92	T 71C2	12,0
	5,8	160,0	1147,1	1,1	P L 85 3 160	T 90S6	11,0
	5,8	158,6	1111,5	3,6	P E 132 158,56	T 80C6	12,0
	5,8	158,9	1150,2	2,1	P L 95 3 158,9	T 80C6	16,0
	5,8	160,0	1158,0	1,1	P L 85 3 160	T 80C6	11,0
	5,7	251,2	1132,9	3,1	P E 125 251,17	T 80B4	10,5
	5,7	253,2	1178,8	0,8	P - 90 3 253,2	T 80B4	7,5
	5,6	167,0	1196,4	1,6	P - 112 3 167	T 90S6	11,8
	5,5	167,0	1208,8	1,5	P - 112 3 167	T 80C6	11,8
	5,5	169,2	1224,1	3,1	P L 105 3 169,2	T 90S6	22,0
	5,5	519,6	1171,9	2,7	P E 125 519,6	T 80A2	10,5
	5,5	260,3	1174,2	3,4	P E 132 260,34	T 80B4	12,0
	5,5	524,8	1183,0	3,0	P E 132 524,76	T 80A2	12,0
	5,4	169,2	1237,9	3,1	P L 105 3 169,2	T 80C6	22,0
	5,4	519,6	1191,7	2,7	P E 125 519,6	T 71C2	10,5
	5,4	266,2	1240,5	1,9	P L 95 3 266,2	T 80B4	16,0
	5,4	173,5	1202,9	3,3	P E 132 173,51	T 90S6	12,0
	5,4	524,8	1204,7	2,9	P E 132 524,76	T 71C2	12,0
	5,3	173,5	1216,1	3,3	P E 132 173,51	T 80C6	12,0
	5,3	270,0	1257,0	1,0	P L 85 3 270	T 80B4	11,0
	5,3	543,9	1225,5	2,9	P E 132 543,89	T 80A2	12,0
	5,2	273,5	1232,7	2,6	P E 125 273,48	T 80B4	10,5
5,2	178,1	1277,0	0,7	P - 90 3 178,1	T 90S6	7,5	
5,2	543,9	1247,0	2,8	P E 132 543,89	T 71C2	12,0	
5,2	178,1	1288,6	0,7	P - 90 3 178,1	T 80C6	7,5	
5,1	278,1	1295,7	1,4	P - 112 3 278,1	T 80B4	11,8	
5,0	184,6	1321,1	1,0	P L 85 3 184,6	T 90S6	11,0	
5,0	185,2	1341,3	2,8	P L 105 3 185,2	T 90S6	22,0	
5,0	185,6	1286,8	2,7	P E 125 185,62	T 90S6	10,5	
5,0	286,5	1292,0	3,1	P E 132 286,51	T 80B4	12,0	
5,0	184,6	1337,4	1,0	P L 85 3 184,6	T 80C6	11,0	
5,0	185,2	1354,6	2,8	P L 105 3 185,2	T 80C6	22,0	
5,0	187,1	1340,3	1,8	P L 95 3 187,1	T 90S6	16,0	
5,0	185,6	1299,5	2,7	P E 125 185,62	T 80C6	10,5	
4,9	580,5	1307,3	2,1	P E 125 580,52	T 80A2	10,5	
4,9	187,1	1353,4	1,8	P L 95 3 187,1	T 80C6	16,0	
4,9	191,0	1323,9	3,0	P E 132 190,95	T 90S6	12,0	
4,9	191,5	1370,3	1,4	P - 112 3 191,5	T 90S6	11,8	
4,8	580,5	1332,2	2,0	P E 125 580,52	T 71C2	10,5	
4,8	191,0	1337,5	3,0	P E 132 190,95	T 80C6	12,0	
4,8	595,2	1340,0	2,6	P E 132 595,18	T 80A2	12,0	
4,8	191,5	1388,1	1,3	P - 112 3 191,5	T 80C6	11,8	
4,7	595,3	1365,9	4,0	P E 150 595,28	T 71C2	16,0	
4,7	595,2	1365,8	2,6	P E 132 595,18	T 71C2	12,0	
4,7	199,5	1429,7	1,7	P L 95 3 199,5	T 90S6	16,0	
4,7	307,7	1386,0	2,5	P E 125 307,71	T 80B4	10,5	
4,6	199,5	1444,6	1,7	P L 95 3 199,5	T 80C6	16,0	
4,6	625,2	1410,9	2,3	P E 125 625,23	T 80A2	10,5	
4,6	204,1	1461,8	0,9	P L 85 3 204,1	T 90S6	11,0	
4,5	316,6	1425,9	2,8	P E 132 316,62	T 80B4	12,0	
4,5	204,1	1477,3	0,9	P L 85 3 204,1	T 80C6	11,0	
4,5	625,2	1435,4	2,2	P E 125 625,23	T 71C2	10,5	
4,5	643,2	1448,5	3,7	P E 150 643,23	T 80A2	16,0	
4,4	648,4	1461,6	2,2	P E 125 648,43	T 80A2	10,5	
4,4	643,2	1474,9	3,7	P E 150 643,23	T 71C2	16,0	
4,4	212,6	1474,9	2,7	P E 132 212,62	T 90S6	12,0	
4,4	655,0	1474,7	2,4	P E 132 655,01	T 80A2	12,0	
4,4	214,0	1530,6	0,8	P L 85 3 214	T 90S6	11,0	
4,3	212,6	1488,8	2,7	P E 132 212,62	T 80C6	12,0	
4,3	648,4	1488,8	2,1	P E 125 648,43	T 71C2	10,5	
4,3	214,0	1550,1	0,8	P L 85 3 214	T 80C6	11,0	
4,3	216,6	1502,5	4,0	P E 150 216,61	T 90S6	16,0	
4,3	655,0	1502,6	2,3	P E 132 655,01	T 71C2	12,0	
4,3	216,6	1516,7	4,0	P E 150 216,61	T 80C6	16,0	
4,2	220,9	1581,6	1,2	P - 112 3 220,9	T 90S6	11,8	
4,2	221,3	1585,9	1,5	P L 95 3 221,3	T 90S6	16,0	
4,2	221,3	1601,4	1,5	P L 95 3 221,3	T 80C6	16,0	





HIGH TECH *line* Motion

P ₁ Input Power kW	n ₂ Output speed min ⁻¹	IR ratio -	T ₂ Output torque Nm	FS' Service Factor -			P _{tn} Thermal capacity kW	
0,75	4,2	220,9	1601,6	1,2	P - 112 3 220,9	T 80C6	11,8	
	4,1	697,5	1572,2	3,4	P E 150 697,51	T 80A2	16,0	
	4,1	227,3	1575,6	2,2	P E 125 227,28	T 90S6	10,5	
	4,1	350,3	1579,6	1,7	P E 125 350,27	T 80B4	10,5	
	4,1	352,5	1588,1	2,5	P E 132 352,46	T 80B4	12,0	
	4,1	227,3	1591,9	2,2	P E 125 227,28	T 80C6	10,5	
	4,0	697,5	1599,5	3,4	P E 150 697,51	T 71C2	16,0	
	4,0	359,2	1619,9	3,7	P E 150 359,17	T 80B4	16,0	
	4,0	234,0	1623,4	2,5	P E 132 234	T 90S6	12,0	
	4,0	234,0	1678,1	0,8	P L 85 3 234	T 90S6	11,0	
	4,0	724,6	1631,7	1,7	P E 125 724,6	T 80A2	10,5	
	3,9	234,0	1640,2	2,4	P E 132 234	T 80C6	12,0	
	3,9	234,0	1695,7	0,8	P L 85 3 234	T 80C6	11,0	
	3,9	724,6	1661,4	1,7	P E 125 724,6	T 71C2	10,5	
	3,9	241,0	1725,2	1,1	P - 112 3 241	T 90S6	11,8	
	3,9	743,0	1674,2	3,2	P E 150 743,02	T 80A2	16,0	
	3,9	742,8	1674,1	2,1	P E 132 742,75	T 80A2	12,0	
	3,8	243,2	1744,2	1,4	P L 95 3 243,2	T 90S6	16,0	
	3,8	241,0	1744,2	1,1	P - 112 3 241	T 80C6	11,8	
	3,8	743,0	1705,3	3,2	P E 150 743,02	T 71C2	16,0	
	3,8	742,8	1705,7	2,1	P E 132 742,75	T 71C2	12,0	
	3,8	243,2	1763,0	1,4	P L 95 3 243,2	T 80C6	16,0	
	3,8	380,8	1714,3	3,5	P E 150 380,82	T 80B4	16,0	
	3,7	766,5	1728,6	3,1	P E 150 766,52	T 80A2	16,0	
	3,7	383,9	1728,1	2,0	P E 125 383,88	T 80B4	10,5	
	3,7	251,2	1741,9	2,0	P E 125 251,17	T 90S6	10,5	
	3,7	387,9	1747,2	2,3	P E 132 387,9	T 80B4	12,0	
	3,7	766,5	1756,3	3,1	P E 150 766,52	T 71C2	16,0	
	3,7	780,3	1757,0	1,8	P E 125 780,26	T 80A2	10,5	
	3,7	251,2	1761,7	2,0	P E 125 251,17	T 80C6	10,5	
	3,6	780,3	1791,0	1,8	P E 125 780,26	T 71C2	10,5	
	3,6	260,3	1806,1	2,2	P E 132 260,34	T 90S6	12,0	
	3,5	260,3	1825,9	2,2	P E 132 260,34	T 80C6	12,0	
	3,5	265,4	1842,0	3,3	P E 150 265,44	T 90S6	16,0	
	3,5	817,4	1842,1	1,9	P E 132 817,42	T 80A2	12,0	
	3,5	266,2	1908,8	1,3	P L 95 3 266,2	T 90S6	16,0	
	3,5	265,4	1858,0	3,2	P E 150 265,44	T 80C6	16,0	
	3,5	266,2	1925,1	1,2	P L 95 3 266,2	T 80C6	16,0	
	3,4	831,2	1874,1	2,9	P E 150 831,21	T 80A2	16,0	
	3,4	817,4	1873,7	1,9	P E 132 817,42	T 71C2	12,0	
	3,4	416,3	1873,7	1,9	P E 125 416,28	T 80B4	10,5	
	3,4	420,9	1896,3	3,2	P E 150 420,86	T 80B4	16,0	
	3,4	273,5	1895,7	1,7	P E 125 273,48	T 90S6	10,5	
	3,4	831,2	1906,8	2,8	P E 150 831,21	T 71C2	16,0	
	3,4	273,5	1918,5	1,7	P E 125 273,48	T 80C6	10,5	
	3,3	278,1	1993,0	1,0	P - 112 3 278,1	T 90S6	11,8	
	3,3	280,9	1947,2	3,1	P E 150 280,94	T 90S6	16,0	
	3,3	278,1	2012,7	0,9	P - 112 3 278,1	T 80C6	11,8	
	3,3	870,6	1965,1	2,7	P E 150 870,64	T 80A2	16,0	
	3,3	280,9	1971,1	3,0	P E 150 280,94	T 80C6	16,0	
	3,3	286,5	1982,8	2,0	P E 132 286,51	T 90S6	12,0	
	3,3	439,7	1982,8	2,0	P E 132 439,72	T 80B4	12,0	
	3,2	870,6	1996,1	2,7	P E 150 870,64	T 71C2	16,0	
	3,2	286,5	2008,0	2,0	P E 132 286,51	T 80C6	12,0	
	3,2	905,7	2039,6	1,7	P E 132 905,66	T 80A2	12,0	
	3,2	904,3	2039,9	1,5	P E 125 904,27	T 80A2	10,5	
	3,1	458,3	2066,1	2,9	P E 150 458,31	T 80B4	16,0	
	3,1	904,3	2071,8	1,4	P E 125 904,27	T 71C2	10,5	
	3,1	461,9	2080,0	1,7	P E 125 461,93	T 80B4	10,5	
	3,1	905,7	2080,0	1,7	P E 132 905,66	T 71C2	12,0	
	3,0	948,1	2134,9	2,5	P E 150 948,12	T 80A2	16,0	
	3,0	307,7	2134,1	1,6	P E 125 307,71	T 90S6	10,5	
	3,0	310,5	2149,0	2,8	P E 150 310,47	T 90S6	16,0	
	3,0	307,7	2155,2	1,6	P E 125 307,71	T 80C6	10,5	
	3,0	310,5	2178,1	2,8	P E 150 310,47	T 80C6	16,0	
	3,0	948,1	2177,4	2,5	P E 150 948,12	T 71C2	16,0	
	3,0	483,9	2177,1	1,8	P E 132 483,92	T 80B4	12,0	
	2,9	316,6	2193,0	1,8	P E 132 316,62	T 90S6	12,0	
	2,9	981,4	2215,5	3,7	P E 170 981,35	T 80A2	21,0	
	2,9	316,6	2215,7	1,8	P E 132 316,62	T 80C6	12,0	
	2,9	981,4	2254,2	3,6	P E 170 981,35	T 71C2	21,0	
	2,9	325,0	2253,4	2,7	P E 150 325	T 90S6	16,0	
	2,9	501,5	2261,3	2,7	P E 150 501,52	T 80B4	16,0	
	2,8	325,0	2277,3	2,6	P E 150 325	T 80C6	16,0	
	2,8	330,6	2294,4	3,9	P E 170 330,6	T 90S6	21,0	
	2,8	330,6	2318,8	3,9	P E 170 330,6	T 80C6	21,0	
	2,8	1037,5	2335,6	2,3	P E 150 1037,52	T 80A2	16,0	
	2,8	520,0	2343,8	3,8	P E 170 520,04	T 80B4	21,0	
	2,8	519,6	2343,7	1,5	P E 125 519,6	T 80B4	10,5	
	2,7	524,8	2360,3	1,7	P E 132 524,76	T 80B4	12,0	
	2,7	1037,5	2378,2	2,3	P E 150 1037,52	T 71C2	16,0	
	2,7	1064,2	2396,4	3,4	P E 170 1064,22	T 80A2	21,0	
	2,7	350,3	2422,2	1,1	P E 125 350,27	T 90S6	10,5	
	2,6	1064,2	2441,7	3,3	P E 170 1064,22	T 71C2	21,0	
	2,6	352,5	2441,0	1,6	P E 132 352,46	T 90S6	12,0	
	2,6	543,9	2451,0	1,6	P E 132 543,89	T 80B4	12,0	
	2,6	350,3	2451,6	1,1	P E 125 350,27	T 80C6	10,5	
	2,6	352,5	2469,1	1,6	P E 132 352,46	T 80C6	12,0	
	2,6	357,1	2478,9	3,6	P E 170 357,1	T 90S6	21,0	
	2,6	549,0	2479,3	2,4	P E 150 548,95	T 80B4	16,0	
	2,6	359,2	2488,9	2,4	P E 150 359,17	T 90S6	16,0	
	2,6	357,1	2498,1	3,6	P E 170 357,1	T 80C6	21,0	
	2,6	559,2	2517,7	3,6	P E 170 559,19	T 80B4	21,0	
	2,6	359,2	2518,2	2,4	P E 150 359,17	T 80C6	16,0	
	0,75	2,5	1158,9	2609,5	3,1	P E 170 1158,92	T 80A2	21,0

P ₁ Input Power kW	n ₂ Output speed min ⁻¹	IR ratio -	T2 Ouput torque Nm	FS' Service Factor -	 GEAR	 EU	P _{tn} Thermal capacity kW
0,75	2,5	377,5	2620,3	3,4	P E 170 377,45	T 90S6	21,0
	2,5	580,5	2620,5	1,1	P E 125 580,52	T 80B4	10,5
	2,4	377,5	2641,9	3,4	P E 170 377,45	T 80C6	21,0
	2,4	380,8	2642,4	2,3	P E 150 380,82	T 90S6	16,0
	2,4	1175,0	2652,1	0,9	P E 125 1175,04	T 80A2	10,5
	2,4	1158,9	2663,3	3,0	P E 170 1158,92	T 71C2	21,0
	2,4	380,8	2664,3	2,3	P E 150 380,82	T 80C6	16,0
	2,4	1183,2	2664,5	2,0	P E 150 1183,21	T 80A2	16,0
	2,4	383,9	2665,0	1,3	P E 125 383,88	T 90S6	10,5
	2,4	595,3	2686,6	2,2	P E 150 595,28	T 80B4	16,0
	2,4	387,9	2685,8	1,5	P E 132 387,9	T 90S6	12,0
	2,4	595,2	2685,8	1,5	P E 132 595,18	T 80B4	12,0
	2,4	383,9	2686,8	1,3	P E 125 383,88	T 80C6	10,5
	2,4	1175,0	2697,8	0,9	P E 125 1175,04	T 71C2	10,5
	2,4	1183,2	2719,9	2,0	P E 150 1183,21	T 71C2	16,0
	2,4	387,9	2719,9	1,5	P E 132 387,9	T 80C6	12,0
	2,4	606,4	2731,7	3,3	P E 170 606,41	T 80B4	21,0
	2,3	625,2	2813,5	1,2	P E 125 625,23	T 80B4	10,5
	2,3	409,3	2839,7	3,2	P E 170 409,33	T 90S6	21,0
	2,3	1268,2	2852,1	2,8	P E 170 1268,2	T 80A2	21,0
	2,3	409,3	2865,0	3,1	P E 170 409,33	T 80C6	21,0
	2,2	416,3	2891,0	1,2	P E 125 416,28	T 90S6	10,5
	2,2	1268,2	2904,0	4,0	P E 190 1268,2	T 71C2	27,0
	2,2	1268,2	2903,9	2,8	P E 170 1268,2	T 71C2	21,0
	2,2	643,2	2903,2	2,1	P E 150 643,23	T 80B4	16,0
	2,2	420,9	2916,4	2,1	P E 150 420,86	T 90S6	16,0
	2,2	1294,8	2917,9	1,9	P E 150 1294,77	T 80A2	16,0
	2,2	416,3	2916,7	1,2	P E 125 416,28	T 80C6	10,5
	2,2	648,4	2916,7	1,2	P E 125 648,43	T 80B4	10,5
	2,2	649,0	2929,7	3,1	P E 170 649	T 80B4	21,0
	2,2	420,9	2943,1	2,0	P E 150 420,86	T 80C6	16,0
	2,2	655,0	2955,7	1,4	P E 132 655,01	T 80B4	12,0
	2,2	1294,8	2971,4	1,8	P E 150 1294,77	T 71C2	16,0
	2,1	439,7	3055,0	1,3	P E 132 439,72	T 90S6	12,0
	2,1	445,6	3085,0	2,9	P E 170 445,6	T 90S6	21,0
	2,1	439,7	3083,2	1,3	P E 132 439,72	T 80C6	12,0
	2,1	445,6	3129,3	2,9	P E 170 445,6	T 80C6	21,0
	2,1	448,2	3144,9	4,0	P E 190 448,15	T 80C6	27,0
	2,1	1395,7	3144,4	3,7	P E 190 1395,69	T 80A2	27,0
	2,1	697,9	3143,9	2,9	P E 170 697,85	T 80B4	21,0
	2,1	1395,7	3144,4	2,6	P E 170 1395,69	T 80A2	21,0
	2,1	697,5	3144,7	1,9	P E 150 697,51	T 80B4	16,0
	2,0	704,9	3175,8	3,9	P E 190 704,94	T 80B4	27,0
	2,0	458,3	3175,7	1,9	P E 150 458,31	T 90S6	16,0
	2,0	1395,7	3207,5	3,6	P E 190 1395,69	T 71C2	27,0
	2,0	1395,7	3207,5	2,5	P E 170 1395,69	T 71C2	21,0
	2,0	458,3	3207,4	1,9	P E 150 458,31	T 80C6	16,0
	2,0	1424,9	3206,7	1,7	P E 150 1424,94	T 80A2	16,0
	2,0	461,9	3209,0	1,1	P E 125 461,93	T 90S6	10,5
	2,0	461,9	3240,7	1,1	P E 125 461,93	T 80C6	10,5
2,0	1424,9	3271,4	1,7	P E 150 1424,94	T 71C2	16,0	
2,0	724,6	3270,3	0,9	P E 125 724,6	T 80B4	10,5	
1,9	742,8	3340,8	1,2	P E 132 742,75	T 80B4	12,0	
1,9	483,2	3357,8	3,7	P E 190 483,23	T 90S6	27,0	
1,9	483,2	3358,2	2,7	P E 170 483,23	T 90S6	21,0	
1,9	743,0	3358,2	1,8	P E 150 743,02	T 80B4	16,0	
1,9	483,9	3355,7	1,2	P E 132 483,92	T 90S6	12,0	
1,9	483,2	3393,1	3,7	P E 190 483,23	T 80C6	27,0	
1,9	483,2	3392,0	2,7	P E 170 483,23	T 80C6	21,0	
1,9	483,9	3393,7	1,2	P E 132 483,92	T 80C6	12,0	
1,9	756,8	3410,3	3,7	P E 190 756,78	T 80B4	27,0	
1,9	756,8	3410,8	2,6	P E 170 756,78	T 80B4	21,0	
1,9	766,5	3448,3	1,7	P E 150 766,52	T 80B4	16,0	
1,9	1546,4	3484,8	3,3	P E 190 1546,36	T 80A2	27,0	
1,9	1546,4	3485,4	2,3	P E 170 1546,36	T 80A2	21,0	
1,9	501,5	3485,7	1,7	P E 150 501,52	T 90S6	16,0	
1,8	501,5	3523,9	1,7	P E 150 501,52	T 80C6	16,0	
1,8	780,3	3523,5	1,0	P E 125 780,26	T 80B4	10,5	
1,8	1546,4	3542,1	3,2	P E 190 1546,36	T 71C2	27,0	
1,8	1546,4	3542,3	2,3	P E 170 1546,36	T 71C2	21,0	
1,8	1578,8	3562,0	1,5	P E 150 1578,76	T 80A2	16,0	
1,8	520,0	3601,9	2,5	P E 170 520,04	T 90S6	21,0	
1,8	519,6	3600,8	1,0	P E 125 519,6	T 90S6	10,5	
1,8	1578,8	3622,5	1,5	P E 150 1578,76	T 71C2	16,0	
1,8	526,2	3642,2	3,4	P E 190 526,24	T 90S6	27,0	
1,8	520,0	3642,7	2,5	P E 170 520,04	T 80C6	21,0	
1,8	524,8	3640,8	1,1	P E 132 524,76	T 90S6	12,0	
1,8	519,6	3640,8	1,0	P E 125 519,6	T 80C6	10,5	
1,8	811,3	3662,5	2,5	P E 170 811,25	T 80B4	21,0	
1,8	526,2	3683,7	3,4	P E 190 526,24	T 80C6	27,0	
1,8	524,8	3685,5	1,1	P E 132 524,76	T 80C6	12,0	
1,8	817,4	3685,5	1,1	P E 132 817,42	T 80B4	12,0	
1,7	824,1	3704,1	3,4	P E 190 824,12	T 80B4	27,0	
1,7	831,2	3746,9	1,6	P E 150 831,21	T 80B4	16,0	
1,7	543,9	3768,8	1,1	P E 132 543,89	T 90S6	12,0	
1,7	549,0	3813,6	1,6	P E 150 548,95	T 90S6	16,0	
1,7	543,9	3811,9	1,0	P E 132 543,89	T 80C6	12,0	
1,7	549,0	3836,3	1,6	P E 150 548,95	T 80C6	16,0	
1,7	559,2	3883,8	2,3	P E 170 559,19	T 90S6	21,0	
1,7	559,2	3906,2	2,3	P E 170 559,19	T 80C6	21,0	
1,6	870,6	3930,1	1,5	P E 150 870,64	T 80B4	16,0	
1,6	879,8	3954,0	3,2	P E 190 879,75	T 80B4	27,0	
1,6	879,8	3954,3	2,3	P E 170 879,75	T 80B4	21,0	
1,6	575,9	4004,7	3,1	P E 190 575,86	T 90S6	27,0	
1,6	575,9	4028,8	3,1	P E 190 575,86	T 80C6	27,0	



HIGH TECH *line* Motion

P ₁ Input Power kW	n ₂ Output speed min ⁻¹	IR ratio -	T ₂ Output torque Nm	FS' Service Factor -			P _{tn} Thermal capacity kW
-------------------------------------	---	------------------	---------------------------------------	----------------------------	---	---	---

0,75	1,6	580,5	4027,8	0,7	P E 125 580,52	T 90S6	10,5
	1,6	905,7	4081,6	1,0	P E 132 905,66	T 80B4	12,0
	1,6	904,3	4081,6	0,8	P E 125 904,27	T 80B4	10,5
	1,6	580,5	4080,7	0,7	P E 125 580,52	T 80C6	10,5
	1,6	595,3	4132,2	1,5	P E 150 595,28	T 90S6	16,0
	1,6	595,2	4132,2	1,0	P E 132 595,18	T 90S6	12,0
	1,6	595,3	4159,0	1,4	P E 150 595,28	T 80C6	16,0
	1,6	595,2	4160,9	1,0	P E 132 595,18	T 80C6	12,0
	1,5	606,4	4213,5	3,0	P E 190 606,41	T 90S6	27,0
	1,5	606,4	4213,5	2,1	P E 170 606,41	T 90S6	21,0
	1,5	606,4	4240,2	2,9	P E 190 606,41	T 80C6	27,0
	1,5	606,4	4239,9	2,1	P E 170 606,41	T 80C6	21,0
	1,5	948,1	4269,4	1,4	P E 150 948,12	T 80B4	16,0
	1,5	958,0	4326,3	2,9	P E 190 958,04	T 80B4	27,0
	1,5	625,2	4324,5	0,8	P E 125 625,23	T 90S6	10,5
	1,5	625,2	4382,3	0,8	P E 125 625,23	T 80C6	10,5
	1,5	981,4	4414,7	2,0	P E 170 981,35	T 80B4	21,0
	1,5	643,2	4446,6	1,3	P E 150 643,23	T 90S6	16,0
	1,4	649,0	4509,0	2,0	P E 170 649	T 90S6	21,0
	1,4	643,2	4509,0	1,3	P E 150 643,23	T 80C6	16,0
	1,4	648,4	4510,3	0,8	P E 125 648,43	T 90S6	10,5
	1,4	649,0	4539,3	2,0	P E 170 649	T 80C6	21,0
	1,4	655,0	4538,6	0,9	P E 132 655,01	T 90S6	12,0
	1,4	648,4	4541,5	0,8	P E 125 648,43	T 80C6	10,5
	1,4	660,4	4570,9	2,7	P E 190 660,37	T 90S6	27,0
	1,4	655,0	4601,2	0,9	P E 132 655,01	T 80C6	12,0
	1,4	660,4	4636,5	2,7	P E 190 660,37	T 80C6	27,0
	1,4	1037,5	4672,9	1,3	P E 150 1037,52	T 80B4	16,0
	1,3	1064,2	4810,2	2,6	P E 190 1064,22	T 80B4	27,0
	1,3	1064,2	4811,1	1,9	P E 170 1064,22	T 80B4	21,0
	1,3	697,9	4845,7	1,9	P E 170 697,85	T 90S6	21,0
	1,3	697,5	4849,1	1,2	P E 150 697,51	T 90S6	16,0
	1,3	704,9	4882,8	2,6	P E 190 704,94	T 90S6	27,0
	1,3	697,9	4884,2	1,8	P E 170 697,85	T 80C6	21,0
	1,3	697,5	4886,0	1,2	P E 150 697,51	T 80C6	16,0
	1,3	704,9	4921,3	2,5	P E 190 704,94	T 80C6	27,0
	1,3	743,0	5154,6	1,2	P E 150 743,02	T 90S6	16,0
	1,3	742,8	5154,6	0,8	P E 132 742,75	T 90S6	12,0
	1,2	743,0	5196,3	1,2	P E 150 743,02	T 80C6	16,0
	1,2	742,8	5199,3	0,8	P E 132 742,75	T 80C6	12,0
	1,2	1158,9	5240,4	2,4	P E 190 1158,92	T 80B4	27,0
	1,2	756,8	5240,4	2,4	P E 190 756,78	T 90S6	27,0
	1,2	756,8	5240,7	1,7	P E 170 756,78	T 90S6	21,0
	1,2	1158,9	5240,7	1,7	P E 170 1158,92	T 80B4	21,0
	1,2	756,8	5284,7	2,4	P E 190 756,78	T 80C6	27,0
	1,2	756,8	5285,8	1,7	P E 170 756,78	T 80C6	21,0
	1,2	766,5	5325,4	1,1	P E 150 766,52	T 90S6	16,0
	1,2	1183,2	5325,4	1,1	P E 150 1183,21	T 80B4	16,0
	1,2	766,5	5369,9	1,1	P E 150 766,52	T 80C6	16,0
	1,2	811,3	5606,3	1,6	P E 170 811,25	T 90S6	21,0
1,1	817,4	5649,7	0,7	P E 132 817,42	T 90S6	12,0	
1,1	824,1	5706,0	2,2	P E 190 824,12	T 90S6	27,0	
1,1	1268,2	5706,0	2,2	P E 190 1268,2	T 80B4	27,0	
1,1	811,3	5705,8	1,6	P E 170 811,25	T 80C6	21,0	
1,1	1268,2	5705,8	1,6	P E 170 1268,2	T 80B4	21,0	
1,1	817,4	5703,4	0,7	P E 132 817,42	T 80C6	12,0	
1,1	824,1	5755,1	2,2	P E 190 824,12	T 80C6	27,0	
1,1	831,2	5754,5	1,0	P E 150 831,21	T 90S6	16,0	
1,1	831,2	5806,5	1,0	P E 150 831,21	T 80C6	16,0	
1,1	1294,8	5859,4	1,0	P E 150 1294,77	T 80B4	16,0	
1,1	870,6	6024,1	1,0	P E 150 870,64	T 90S6	16,0	
1,1	879,8	6079,8	2,1	P E 190 879,75	T 90S6	27,0	
1,1	879,8	6081,1	1,5	P E 170 879,75	T 90S6	21,0	
1,1	870,6	6081,1	1,0	P E 150 870,64	T 80C6	16,0	
1,1	879,8	6139,5	2,0	P E 190 879,75	T 80C6	27,0	
1,1	879,8	6141,9	1,5	P E 170 879,75	T 80C6	21,0	
1,0	1395,7	6321,6	2,0	P E 190 1395,69	T 80B4	27,0	
1,0	1395,7	6320,2	1,4	P E 170 1395,69	T 80B4	21,0	
1,0	1424,9	6447,0	0,9	P E 150 1424,94	T 80B4	16,0	
1,0	948,1	6578,9	0,9	P E 150 948,12	T 90S6	16,0	
1,0	958,0	6644,2	1,9	P E 190 958,04	T 90S6	27,0	
1,0	948,1	6647,0	0,9	P E 150 948,12	T 80C6	16,0	
1,0	958,0	6715,6	1,9	P E 190 958,04	T 80C6	27,0	
1,0	981,4	6783,9	1,3	P E 170 981,35	T 90S6	21,0	
0,94	981,4	6859,8	1,3	P E 170 981,35	T 80C6	21,0	
0,92	1546,4	7006,7	1,8	P E 190 1546,36	T 80B4	27,0	
0,92	1546,4	7009,3	1,3	P E 170 1546,36	T 80B4	21,0	
0,91	1578,8	7086,6	0,8	P E 150 1578,76	T 80B4	16,0	
0,90	1037,5	7165,6	0,8	P E 150 1037,52	T 90S6	16,0	
0,89	1037,5	7246,4	0,8	P E 150 1037,52	T 80C6	16,0	
0,87	1064,2	7411,1	1,7	P E 190 1064,22	T 90S6	27,0	
0,87	1064,2	7409,4	1,2	P E 170 1064,22	T 90S6	21,0	
0,86	1064,2	7494,0	1,7	P E 190 1064,22	T 80C6	27,0	
0,86	1064,2	7491,7	1,2	P E 170 1064,22	T 80C6	21,0	
0,80	1158,9	8061,0	1,6	P E 190 1158,92	T 90S6	27,0	
0,80	1158,9	8054,9	1,1	P E 170 1158,92	T 90S6	21,0	
0,79	1158,9	8159,3	1,5	P E 190 1158,92	T 80C6	27,0	
0,79	1158,9	8162,0	1,1	P E 170 1158,92	T 80C6	21,0	
0,79	1183,2	8167,0	0,7	P E 150 1183,21	T 90S6	16,0	
0,78	1183,2	8256,9	0,7	P E 150 1183,21	T 80C6	16,0	
0,73	1268,2	8827,7	1,4	P E 190 1268,2	T 90S6	27,0	
0,73	1268,2	8827,7	1,4	P E 190 1268,2	T 80C6	27,0	
0,73	1268,2	8835,1	1,0	P E 170 1268,2	T 80C6	21,0	
0,73	1268,2	8835,1	1,0	P E 170 1268,2	T 90S6	21,0	
0,67	1395,7	9625,3	1,3	P E 190 1395,69	T 90S6	27,0	





P ₁ Input Power kW	n ₂ Output speed min ⁻¹	IR ratio -	T2 Ouput torque Nm	FS' Service Factor -	 GEAR	 EU	P _{tn} Thermal capacity kW
0,75	0.67	1395,7	9615,4	0,9	P E 170 1395,69	T 90S6	21,0
	0.66	1395,7	9765,6	1,3	P E 190 1395,69	T 80C6	27,0
	0.66	1395,7	9768,5	0,9	P E 170 1395,69	T 80C6	21,0
	0.60	1546,4	10738,8	1,2	P E 190 1546,36	T 90S6	27,0
	0.60	1546,4	10748,4	0,8	P E 170 1546,36	T 90S6	21,0
	0.59	1546,4	10926,6	1,1	P E 190 1546,36	T 80C6	27,0
	0.59	1546,4	10922,3	0,8	P E 170 1546,36	T 80C6	21,0
0,88	135,6	10,4	58,9	3,7	P - 63 2 10,4	T 80C4	5,6
	119,5	11,8	66,8	3,5	P - 63 2 11,8	T 80C4	5,6
	104,4	13,5	76,4	3,3	P - 63 2 13,5	T 80C4	5,6
	97,9	14,4	81,6	2,7	P - 63 2 14,4	T 80C4	5,6
	83,4	16,9	95,7	2,6	P - 63 2 16,9	T 80C4	5,6
	82,0	17,2	95,3	1,0	P L 25 3 17,2	T 80C4	4,0
	71,2	19,8	112,1	2,2	P - 63 2 19,8	T 80C4	5,6
	69,1	20,4	113,1	0,9	P L 25 3 20,4	T 80C4	4,0
	68,8	20,5	116,1	2,0	P - 63 2 20,5	T 80C4	5,6
	64,4	21,9	124,0	3,7	P - 71 2 21,9	T 80C4	7,5
	59,2	23,8	131,9	0,8	P L 25 3 23,8	T 80C4	4,0
	58,5	24,1	136,5	1,7	P - 63 2 24,1	T 80C4	5,6
	55,7	25,3	143,2	2,9	P - 71 2 25,3	T 80C4	7,5
	54,0	26,1	147,8	1,6	P - 63 2 26,1	T 80C4	5,6
	49,7	28,4	160,7	3,7	P - 80 2 28,38	T 80C4	7,5
	49,1	28,7	159,1	1,6	P L 45 3 28,7	T 80C4	6,5
	49,0	28,8	163,1	2,8	P - 71 2 28,8	T 80C4	7,5
	46,8	30,2	170,7	3,5	P - 80 2 30,15	T 80C4	7,5
	44,5	31,7	179,4	1,3	P - 63 2 31,7	T 80C4	5,6
	44,1	32,0	177,4	1,4	P L 45 3 32	T 80C4	6,5
	43,7	32,3	179,0	3,4	P L 65 3 32,3	T 80C4	8,0
	42,6	33,1	187,4	2,2	P - 71 2 33,1	T 80C4	7,5
	40,5	34,8	197,0	3,0	P - 80 2 34,79	T 80C4	7,5
	38,5	36,6	207,4	1,2	P - 63 2 36,6	T 80C4	5,6
	37,8	37,3	211,2	1,9	P - 71 2 37,3	T 80C4	7,5
	37,5	37,6	208,4	2,9	P L 65 3 37,6	T 80C4	8,0
	37,2	38,0	214,9	2,8	P - 80 2 37,95	T 80C4	7,5
	35,7	39,5	218,9	2,1	P - 71 3 39,5	T 80C4	5,4
	35,6	39,6	224,4	2,2	P - 80 2 39,63	T 80C4	7,5
	34,9	40,4	228,7	3,1	P - 90 2 40,4	T 80C4	10,5
	34,8	40,5	229,3	1,0	P - 63 2 40,5	T 80C4	5,6
	34,5	40,9	226,8	1,1	P L 45 3 40,9	T 80C4	6,5
	33,4	42,3	239,3	2,1	P - 80 2 42,25	T 80C4	7,5
	32,5	43,4	240,4	1,0	P - 63 3 43,4	T 80C4	4,0
	32,3	43,7	242,2	3,8	P - 90 3 43,7	T 80C4	7,5
	32,0	44,1	249,8	3,4	P - 90 2 44,1	T 80C4	10,5
	31,5	44,7	253,2	1,8	P - 71 2 44,7	T 80C4	7,5
	31,2	45,2	256,0	0,9	P - 63 2 45,2	T 80C4	5,6
	30,9	45,7	253,5	1,0	P L 45 3 45,7	T 80C4	6,5
	30,7	46,0	254,9	2,4	P L 65 3 46	T 80C4	8,0
	30,0	47,0	260,7	1,0	P - 63 3 47	T 80C4	4,0
	29,3	48,1	272,6	1,8	P - 80 2 48,14	T 80C4	7,5
	28,9	48,8	270,5	3,4	P - 90 3 48,8	T 80C4	7,5
	27,9	50,5	285,9	1,6	P - 71 2 50,5	T 80C4	7,5
	27,7	50,9	288,1	1,2	P - 80 2 50,87	T 80C4	7,5
	27,7	50,9	288,2	3,0	P - 90 2 50,9	T 80C4	10,5
	26,7	52,8	292,6	0,9	P L 45 3 52,8	T 80C4	6,5
	26,5	53,3	295,3	0,8	P - 63 3 53,3	T 80C4	4,0
	26,4	53,5	296,6	1,6	P - 71 3 53,5	T 80C4	5,4
	26,0	54,3	301,0	2,0	P L 65 3 54,3	T 80C4	8,0
	25,5	55,2	306,0	3,0	P - 90 3 55,2	T 80C4	7,5
	25,4	55,5	314,3	1,1	P - 80 2 55,49	T 80C4	7,5
25,0	56,3	312,1	3,8	P L 85 3 56,3	T 80C4	11,0	
24,7	57,2	317,0	0,8	P - 63 3 57,2	T 80C4	4,0	
23,5	60,1	333,3	0,8	P L 45 3 60,1	T 80C4	6,5	
23,2	60,8	337,1	1,4	P - 71 3 60,8	T 80C4	5,4	
22,8	61,8	350,0	1,0	P - 80 2 61,79	T 80C4	7,5	
22,8	61,8	342,7	0,7	P - 63 3 61,8	T 80C4	4,0	
22,6	62,3	345,3	2,6	P - 90 3 62,3	T 80C4	7,5	
22,1	63,9	354,1	3,4	P L 85 3 63,9	T 80C4	11,0	
22,0	64,2	356,0	1,3	P - 71 3 64,2	T 80C4	5,4	
21,9	64,4	357,0	1,7	P L 65 3 64,4	T 80C4	8,0	
20,0	70,6	391,4	2,3	P - 90 3 70,6	T 80C4	7,5	
19,1	74,0	410,3	2,9	P L 85 3 74	T 80C4	11,0	
19,0	74,4	412,5	1,5	P L 65 3 74,4	T 80C4	8,0	
18,7	75,4	417,8	1,1	P - 71 3 75,4	T 80C4	5,4	
18,5	76,3	423,0	2,2	P - 90 3 76,3	T 80C4	7,5	
17,0	82,8	458,9	2,0	P - 90 3 82,8	T 80C4	7,5	
16,6	84,9	470,6	2,6	P L 85 3 84,9	T 80C4	11,0	
16,5	85,4	473,5	1,3	P L 65 3 85,4	T 80C4	8,0	
16,2	86,8	481,3	1,0	P - 71 3 86,8	T 80C4	5,4	
16,2	87,3	484,0	3,6	P - 112 3 87,3	T 80C4	11,8	
15,4	91,5	507,3	0,9	P - 71 3 91,5	T 80C4	5,4	
15,1	93,3	517,3	1,8	P - 90 3 93,3	T 80C4	7,5	
15,1	93,6	519,0	3,4	P - 112 3 93,6	T 80C4	11,8	
14,4	98,0	543,2	2,2	P L 85 3 98	T 80C4	11,0	
14,2	99,0	548,9	1,1	P L 65 3 99	T 80C4	8,0	
14,2	99,3	550,7	0,8	P - 71 3 99,3	T 80C4	5,4	
14,0	100,6	557,7	1,6	P - 90 3 100,6	T 80C4	7,5	
13,1	107,5	595,3	0,8	P - 71 3 107,5	T 80C4	5,4	
13,0	108,4	600,9	2,9	P - 112 3 108,4	T 80C4	11,8	
13,0	108,9	603,5	1,5	P - 90 3 108,9	T 80C4	7,5	
12,4	113,5	629,3	1,9	P L 85 3 113,5	T 80C4	11,0	
12,2	116,0	642,7	3,7	P L 95 3 116	T 80C4	16,0	
12,1	116,2	644,7	0,9	P L 65 3 116,2	T 80C4	8,0	





0.88
kW

HIGH TECH *line* Motion

P₁ Input Power kW	n₂ Output speed min ⁻¹	IR ratio -	T₂ Output torque Nm	FS' Service Factor -	 GEAR	 EU	P_{tn} Thermal capacity kW
	12,0	117,2	649,8	2,7	P - 112 3 117,2	T 80C4	11,8
	11,3	125,0	692,7	1,3	P - 90 3 125	T 80C4	7,5
	11,0	128,3	711,3	2,5	P - 112 3 128,3	T 80C4	11,8
	10,5	134,4	745,0	3,2	P L 95 3 134,4	T 80C4	16,0
	10,3	136,8	758,1	1,6	P L 85 3 136,8	T 80C4	11,0
	10,2	138,8	769,7	0,8	P L 65 3 138,8	T 80C4	8,0
	10,0	141,0	781,3	1,2	P - 90 3 141	T 80C4	7,5
	9,5	148,0	820,0	2,1	P - 112 3 148	T 80C4	11,8
	9,2	152,8	846,2	0,7	P L 65 3 152,8	T 80C4	8,0
	9,2	153,9	862,5	4,0	P L 105 3 153,9	T 80C4	22,0
	9,1	155,2	860,2	1,1	P - 90 3 155,2	T 80C4	7,5
	8,9	158,9	881,1	2,7	P L 95 3 158,9	T 80C4	16,0
	8,8	160,0	887,4	1,4	P L 85 3 160	T 80C4	11,0
	8,4	167,0	926,0	1,9	P - 112 3 167	T 80C4	11,8
	8,3	169,2	948,3	3,7	P L 105 3 169,2	T 80C4	22,0
	7,9	178,1	987,4	0,9	P - 90 3 178,1	T 80C4	7,5
	7,6	184,6	1023,3	1,2	P L 85 3 184,6	T 80C4	11,0
	7,6	185,2	1038,1	3,4	P L 105 3 185,2	T 80C4	22,0
	7,6	185,6	995,2	3,5	P E 125 185,62	T 80C4	10,5
	7,5	187,1	1036,8	2,3	P L 95 3 187,1	T 80C4	16,0
	7,4	191,0	1024,7	3,9	P E 132 190,95	T 80C4	12,0
	7,4	191,5	1062,1	1,6	P - 112 3 191,5	T 80C4	11,8
	7,1	199,5	1105,8	2,2	P L 95 3 199,5	T 80C4	16,0
	7,0	201,0	1115,3	0,8	P - 90 3 201	T 80C4	7,5
	6,9	204,1	1130,6	1,1	P L 85 3 204,1	T 80C4	11,0
	6,6	212,6	1140,6	3,5	P E 132 212,62	T 80C4	12,0
	6,6	214,0	1186,5	1,0	P L 85 3 214	T 80C4	11,0
	6,4	220,9	1225,1	1,4	P - 112 3 220,9	T 80C4	11,8
	6,4	221,3	1227,2	2,0	P L 95 3 221,3	T 80C4	16,0
	6,3	224,4	1245,4	0,7	P - 90 3 224,4	T 80C4	7,5
	6,2	227,3	1219,8	2,9	P E 125 227,28	T 80C4	10,5
	6,0	234,0	1254,5	3,2	P E 132 234	T 80C4	12,0
	6,0	234,0	1295,7	0,9	P L 85 3 234	T 80C4	11,0
	5,9	241,0	1335,6	1,3	P - 112 3 241	T 80C4	11,8
	5,8	243,2	1347,8	1,8	P L 95 3 243,2	T 80C4	16,0
	5,6	251,2	1348,5	2,6	P E 125 251,17	T 80C4	10,5
	5,4	260,3	1395,7	2,9	P E 132 260,34	T 80C4	12,0
	5,3	266,2	1474,9	1,6	P L 95 3 266,2	T 80C4	16,0
	5,2	270,0	1497,9	0,8	P L 85 3 270	T 80C4	11,0
	5,2	273,5	1465,9	2,2	P E 125 273,48	T 80C4	10,5
	5,1	278,1	1541,5	1,1	P - 112 3 278,1	T 80C4	11,8
	5,0	280,9	1506,8	4,0	P E 150 280,94	T 80C4	16,0
	4,9	286,5	1537,1	2,6	P E 132 286,51	T 80C4	12,0
	4,6	307,7	1651,5	2,1	P E 125 307,71	T 80C4	10,5
	4,5	310,5	1666,1	3,6	P E 150 310,47	T 80C4	16,0
	4,5	316,6	1699,7	2,4	P E 132 316,62	T 80C4	12,0
	4,3	325,0	1742,6	3,4	P E 150 325	T 80C4	16,0
	4,0	350,3	1876,8	1,4	P E 125 350,27	T 80C4	10,5
	4,0	352,5	1890,4	2,1	P E 132 352,46	T 80C4	12,0
	3,9	359,2	1924,9	3,1	P E 150 359,17	T 80C4	16,0
	3,7	380,8	2044,1	2,9	P E 150 380,82	T 80C4	16,0
	3,7	383,9	2061,6	1,7	P E 125 383,88	T 80C4	10,5
	3,6	387,9	2084,1	1,9	P E 132 387,9	T 80C4	12,0
	3,4	416,3	2231,9	1,6	P E 125 416,28	T 80C4	10,5
	3,4	420,9	2257,4	2,7	P E 150 420,86	T 80C4	16,0
	3,2	439,7	2356,1	1,7	P E 132 439,72	T 80C4	12,0
	3,2	445,6	2393,5	3,8	P E 170 445,6	T 80C4	21,0
	3,1	458,3	2455,8	2,4	P E 150 458,31	T 80C4	16,0
	3,1	461,9	2479,9	1,4	P E 125 461,93	T 80C4	10,5
	2,9	483,2	2589,9	3,5	P E 170 483,23	T 80C4	21,0
	2,9	483,9	2599,7	1,5	P E 132 483,92	T 80C4	12,0
	2,8	501,5	2691,1	2,2	P E 150 501,52	T 80C4	16,0
	2,7	520,0	2790,7	3,2	P E 170 520,04	T 80C4	21,0
	2,7	519,6	2789,9	1,3	P E 125 519,6	T 80C4	10,5
	2,7	524,8	2811,5	1,4	P E 132 524,76	T 80C4	12,0
	2,6	543,9	2921,2	1,4	P E 132 543,89	T 80C4	12,0
	2,6	549,0	2943,1	2,0	P E 150 548,95	T 80C4	16,0
	2,5	559,2	3001,1	3,0	P E 170 559,19	T 80C4	21,0
	2,4	580,5	3112,2	0,9	P E 125 580,52	T 80C4	10,5
	2,4	595,3	3192,3	1,9	P E 150 595,28	T 80C4	16,0
	2,4	595,2	3191,3	1,3	P E 132 595,18	T 80C4	12,0
	2,3	606,4	3245,8	3,9	P E 190 606,41	T 80C4	27,0
	2,3	606,4	3245,9	2,8	P E 170 606,41	T 80C4	21,0
	2,3	625,2	3347,8	1,0	P E 125 625,23	T 80C4	10,5
	2,2	643,2	3453,2	1,7	P E 150 643,23	T 80C4	16,0
	2,2	649,0	3485,9	2,6	P E 170 649	T 80C4	21,0
	2,2	648,4	3484,2	1,0	P E 125 648,43	T 80C4	10,5
	2,2	655,0	3516,5	1,1	P E 132 655,01	T 80C4	12,0
	2,1	660,4	3534,7	3,5	P E 190 660,37	T 80C4	27,0
	2,0	697,9	3744,7	2,4	P E 170 697,85	T 80C4	21,0
	2,0	697,5	3744,7	1,6	P E 150 697,51	T 80C4	16,0
	2,0	704,9	3781,4	3,3	P E 190 704,94	T 80C4	27,0
	2,0	724,6	3876,7	0,8	P E 125 724,6	T 80C4	10,5
	1,9	743,0	3981,9	1,5	P E 150 743,02	T 80C4	16,0
	1,9	742,8	3981,9	1,0	P E 132 742,75	T 80C4	12,0
	1,9	756,8	4066,5	3,1	P E 190 756,78	T 80C4	27,0
	1,9	756,8	4065,7	2,2	P E 170 756,78	T 80C4	21,0
	1,8	766,5	4112,1	1,5	P E 150 766,52	T 80C4	16,0
	1,8	780,3	4179,1	0,8	P E 125 780,26	T 80C4	10,5
	1,7	811,3	4346,9	2,1	P E 170 811,25	T 80C4	21,0
	1,7	817,4	4400,0	0,9	P E 132 817,42	T 80C4	12,0
	1,7	824,1	4423,0	2,8	P E 190 824,12	T 80C4	27,0
	1,7	831,2	4448,2	1,3	P E 150 831,21	T 80C4	16,0
	1,6	870,6	4668,4	1,3	P E 150 870,64	T 80C4	16,0
	1,6	879,8	4727,1	2,6	P E 190 879,75	T 80C4	27,0



0,88





P ₁ Input Power kW	n ₂ Output speed min ⁻¹	IR ratio -	T2 Ouput torque Nm	FS' Service Factor -	 GEAR	 EU	P _{tn} Thermal capacity kW
0,88	1,6	879,8	4728,4	1,9	P E 170 879,75	T 80C4	21,0
	1,6	905,7	4848,5	0,8	P E 132 905,66	T 80C4	12,0
	1,5	948,1	5076,9	1,2	P E 150 948,12	T 80C4	16,0
	1,5	958,0	5145,0	2,4	P E 190 958,04	T 80C4	27,0
	1,4	981,4	5252,0	1,7	P E 170 981,35	T 80C4	21,0
	1,4	1037,5	5563,8	1,1	P E 150 1037,52	T 80C4	16,0
	1,3	1064,2	5729,2	2,2	P E 190 1064,22	T 80C4	27,0
	1,3	1064,2	5730,8	1,6	P E 170 1064,22	T 80C4	21,0
	1,2	1158,9	6200,7	2,0	P E 190 1158,92	T 80C4	27,0
	1,2	1158,9	6202,0	1,5	P E 170 1158,92	T 80C4	21,0
	1,2	1183,2	6353,8	0,9	P E 150 1183,21	T 80C4	16,0
	1,1	1268,2	6815,4	1,8	P E 190 1268,2	T 80C4	27,0
	1,1	1268,2	6815,8	1,3	P E 170 1268,2	T 80C4	21,0
	1,1	1294,8	6938,2	0,9	P E 150 1294,77	T 80C4	16,0
	1,0	1395,7	7488,1	1,7	P E 190 1395,69	T 80C4	27,0
	1,0	1395,7	7485,8	1,2	P E 170 1395,69	T 80C4	21,0
	1,0	1424,9	7641,1	0,8	P E 150 1424,94	T 80C4	16,0
	0,9	1546,4	8314,4	1,5	P E 190 1546,36	T 80C4	27,0
	0,9	1546,4	8310,6	1,1	P E 170 1546,36	T 80C4	21,0
	0,9	1578,8	8502,4	0,7	P E 150 1578,76	T 80C4	16,0
1,1	476,7	3,0	20,9	3,8	P - 63 2 3	T 90S4	5,6
	466,7	3,0	21,4	3,7	P - 63 2 3	T 80D4	5,6
	359,0	3,9	27,8	4,0	P - 63 2 3,9	T 80D4	5,6
	306,7	3,0	32,5	2,6	P - 63 2 3	T 90L6	5,6
	280,0	5,0	35,6	3,9	P - 63 2 5	T 80D4	5,6
	235,9	3,9	42,3	2,7	P - 63 2 3,9	T 90L6	5,6
	230,7	6,2	43,3	3,7	P - 63 2 6,2	T 90S4	5,6
	225,8	6,2	44,2	3,6	P - 63 2 6,2	T 80D4	5,6
	220,0	6,5	45,4	3,7	P - 63 2 6,5	T 90S4	5,6
	215,4	6,5	46,3	3,7	P - 63 2 6,5	T 80D4	5,6
	214,0	4,3	46,6	2,9	P - 63 2 4,3	T 90L6	5,6
	197,9	14,4	50,4	3,8	P - 63 2 14,4	T 80B2	5,6
	193,2	7,4	51,6	3,5	P - 63 2 7,4	T 90S4	5,6
	189,2	7,4	52,7	3,4	P - 63 2 7,4	T 80D4	5,6
	184,0	5,0	54,2	2,8	P - 63 2 5	T 90L6	5,6
	178,8	8,0	55,8	3,6	P - 63 2 8	T 90S4	5,6
	175,0	8,0	57,0	3,5	P - 63 2 8	T 80D4	5,6
	173,6	5,3	57,5	4,0	P - 71 2 5,3	T 90L6	7,5
	168,6	16,9	59,2	3,9	P - 63 2 16,9	T 80B2	5,6
	165,7	17,2	59,0	1,5	P L 25 3 17,2	T 80B2	4,0
	164,3	5,6	60,8	2,8	P - 63 2 5,6	T 90L6	5,6
	158,9	9,0	62,8	3,3	P - 63 2 9	T 90S4	5,6
	155,6	9,0	64,1	3,3	P - 63 2 9	T 80D4	5,6
	148,4	6,2	67,3	2,6	P - 63 2 6,2	T 90L6	5,6
	143,9	19,8	69,3	3,3	P - 63 2 19,8	T 80B2	5,6
	141,5	6,5	70,5	2,6	P - 63 2 6,5	T 90L6	5,6
	139,7	20,4	69,9	1,3	P L 25 3 20,4	T 80B2	4,0
	139,0	20,5	71,8	2,9	P - 63 2 20,5	T 80B2	5,6
	137,5	10,4	72,6	3,0	P - 63 2 10,4	T 90S4	5,6
	134,6	10,4	74,1	3,0	P - 63 2 10,4	T 80D4	5,6
	124,3	7,4	80,3	2,4	P - 63 2 7,4	T 90L6	5,6
	121,2	11,8	82,4	2,9	P - 63 2 11,8	T 90S4	5,6
	119,8	23,8	81,6	1,1	P L 25 3 23,8	T 80B2	4,0
	118,6	11,8	84,1	2,8	P - 63 2 11,8	T 80D4	5,6
	118,3	24,1	84,4	2,5	P - 63 2 24,1	T 80B2	5,6
	116,3	12,3	85,8	3,5	P - 71 2 12,3	T 90S4	7,5
	115,0	8,0	86,8	2,5	P - 63 2 8	T 90L6	5,6
	113,8	12,3	87,7	3,4	P - 71 2 12,3	T 80D4	7,5
	109,2	26,1	91,4	2,4	P - 63 2 26,1	T 80B2	5,6
	105,9	13,5	94,2	2,7	P - 63 2 13,5	T 90S4	5,6
	105,8	8,7	94,4	3,7	P - 71 2 8,7	T 90L6	7,5
	104,0	27,4	93,9	1,0	P L 25 3 27,4	T 80B2	4,0
	103,7	13,5	96,2	2,6	P - 63 2 13,5	T 80D4	5,6
	102,2	9,0	97,6	2,4	P - 63 2 9	T 90L6	5,6
	99,3	14,4	100,5	2,2	P - 63 2 14,4	T 90S4	5,6
	99,3	28,7	98,4	2,3	P L 45 3 28,7	T 80B2	6,5
	97,2	14,4	102,7	2,1	P - 63 2 14,4	T 80D4	5,6
	89,9	31,7	111,0	2,0	P - 63 2 31,7	T 80B2	5,6
	89,1	32,0	109,7	2,1	P L 45 3 32	T 80B2	6,5
	89,1	32,0	109,8	0,8	P L 25 3 32	T 80B2	4,0
	88,5	10,4	112,8	2,1	P - 63 2 10,4	T 90L6	5,6
	86,1	33,1	115,9	3,2	P - 71 2 33,1	T 80B2	7,5
	84,6	16,9	117,9	2,1	P - 63 2 16,9	T 90S4	5,6
	82,8	16,9	120,5	2,1	P - 63 2 16,9	T 80D4	5,6
	82,7	17,3	120,7	3,8	P - 71 2 17,3	T 90S4	7,5
	81,4	17,2	120,0	0,8	P L 25 3 17,2	T 80D4	4,0
	80,9	17,3	123,3	3,7	P - 71 2 17,3	T 80D4	7,5
	79,3	11,6	125,8	3,8	P - 71 2 11,6	T 90L6	7,5
	78,0	11,8	128,0	2,0	P - 63 2 11,8	T 90L6	5,6
	77,9	36,6	128,2	1,8	P - 63 2 36,6	T 80B2	5,6
77,2	36,9	126,4	0,7	P L 25 3 36,9	T 80B2	4,0	
76,5	18,7	130,5	3,5	P - 71 2 18,7	T 90S4	7,5	
76,4	37,3	130,6	2,8	P - 71 2 37,3	T 80B2	7,5	
74,9	18,7	133,3	3,5	P - 71 2 18,7	T 80D4	7,5	
74,8	12,3	133,4	2,3	P - 71 2 12,3	T 90L6	7,5	
72,2	19,8	138,2	1,8	P - 63 2 19,8	T 90S4	5,6	
72,2	39,5	135,4	3,1	P - 71 3 39,5	T 80B2	5,4	
71,9	39,6	138,8	3,2	P - 80 2 39,6	T 80B2	7,5	
70,8	20,2	141,0	3,3	P - 71 2 20,2	T 90S4	7,5	
70,7	19,8	141,2	1,8	P - 63 2 19,8	T 80D4	5,6	
70,4	40,5	141,9	1,6	P - 63 2 40,5	T 80B2	5,6	
69,8	20,5	143,0	1,6	P - 63 2 20,5	T 90S4	5,6	



HIGH TECH *line* Motion



P ₁ Input Power kW	n ₂ Output speed min ⁻¹	IR ratio -	T ₂ Output torque Nm	FS' Service Factor -			P _{tn} Thermal capacity kW
	69.7	40.9	140.2	1.6	P L 45 3 40.9	T 80B2	6.5
	69.3	20.2	144.0	3.2	P - 71 2 20.2	T 80D4	7.5
	68.6	20.4	142.3	0.7	P L 25 3 20.4	T 80D4	4.0
	68.3	20.5	146.2	1.6	P - 63 2 20.5	T 80D4	5.6
	68.2	13.5	146.5	1.7	P - 63 2 13.5	T 90L6	5.6
	67.5	42.3	147.9	3.0	P - 80 2 42.25	T 80B2	7.5
	65.7	14.0	151.9	3.2	P - 71 2 14	T 90L6	7.5
	65.7	43.4	148.7	1.5	P - 63 3 43.4	T 80B2	4.0
	65.3	21.9	152.8	3.0	P - 71 2 21.9	T 90S4	7.5
	65.2	21.5	153.0	3.9	P - 80 2 21.46	T 80D4	7.5
	63.9	21.9	156.1	2.9	P - 71 2 21.9	T 80D4	7.5
	63.9	14.4	156.2	1.5	P - 63 2 14.4	T 90L6	5.6
	63.8	44.7	156.5	2.6	P - 71 2 44.7	T 80B2	7.5
	63.1	45.2	158.3	1.4	P - 63 2 45.2	T 80B2	5.6
	62.4	45.7	156.6	1.4	P L 45 3 45.7	T 80B2	6.5
	62.0	46.0	157.7	3.4	P L 65 3 46	T 80B2	8.0
	60.6	47.0	161.1	1.2	P - 63 3 47	T 80B2	4.0
	59.9	23.9	166.7	3.6	P - 80 2 23.89	T 90S4	7.5
	59.3	24.1	168.2	1.4	P - 63 2 24.1	T 90S4	5.6
	59.2	48.1	168.6	2.7	P - 80 2 48.14	T 80B2	7.5
	58.6	23.9	170.3	3.5	P - 80 2 23.89	T 80D4	7.5
	58.1	24.1	171.8	1.3	P - 63 2 24.1	T 80D4	5.6
	57.1	16.1	174.7	2.7	P - 71 2 16.1	T 90L6	7.5
	56.5	25.3	176.6	2.3	P - 71 2 25.3	T 90S4	7.5
	56.4	50.5	176.8	2.3	P - 71 2 50.5	T 80B2	7.5
	56.0	50.9	178.1	1.8	P - 80 2 50.87	T 80B2	7.5
	56.0	50.9	178.2	3.9	P - 90 2 50.9	T 80B2	10.5
	55.3	25.3	180.3	2.3	P - 71 2 25.3	T 80D4	7.5
	54.8	26.1	182.2	1.3	P - 63 2 26.1	T 90S4	5.6
	54.4	16.9	183.3	1.4	P - 63 2 16.9	T 90L6	5.6
	54.4	26.3	183.5	3.3	P - 80 2 26.3	T 90S4	7.5
	54.2	26.4	180.3	3.3	P L 65 3 26.4	T 90S4	8.0
	54.0	52.8	180.9	1.2	P L 45 3 52.8	T 80B2	6.5
	53.6	26.1	186.0	1.3	P - 63 2 26.1	T 80D4	5.6
	53.5	53.3	182.8	1.2	P - 63 3 53.3	T 80B2	4.0
	53.3	53.5	183.4	2.3	P - 71 3 53.5	T 80B2	5.4
	53.2	26.3	187.5	3.2	P - 80 2 26.3	T 80D4	7.5
	53.2	17.3	187.6	2.6	P - 71 2 17.3	T 90L6	7.5
	53.0	26.4	184.2	3.3	P L 65 3 26.4	T 80D4	8.0
	52.5	54.3	186.1	2.9	P L 65 3 54.3	T 80B2	8.0
	51.6	55.2	189.2	3.8	P - 90 3 55.2	T 80B2	7.5
	51.4	55.5	194.3	1.6	P - 80 2 55.49	T 80B2	7.5
	50.4	28.4	198.1	3.0	P - 80 2 28.38	T 90S4	7.5
	49.8	28.7	196.0	1.3	P L 45 3 28.7	T 90S4	6.5
	49.8	57.2	196.1	1.2	P - 63 3 57.2	T 80B2	4.0
	49.7	28.8	201.0	2.3	P - 71 2 28.8	T 90S4	7.5
	49.3	28.4	202.3	3.0	P - 80 2 28.38	T 80D4	7.5
	49.2	18.7	202.8	2.4	P - 71 2 18.7	T 90L6	7.5
	48.8	28.7	200.3	1.2	P L 45 3 28.7	T 80D4	6.5
	48.6	28.8	205.3	2.2	P - 71 2 28.8	T 80D4	7.5
	47.4	30.2	210.4	2.9	P - 80 2 30.15	T 90S4	7.5
	47.4	60.1	206.1	1.1	P L 45 3 60.1	T 80B2	6.5
	47.2	19.5	211.4	3.1	P - 80 2 19.49	T 90L6	7.5
	46.9	60.8	208.4	2.0	P - 71 3 60.8	T 80B2	5.4
	46.5	19.8	214.8	1.2	P - 63 2 19.8	T 90L6	5.6
	46.4	30.2	214.9	2.8	P - 80 2 30.15	T 80D4	7.5
	46.1	61.8	216.4	1.5	P - 80 2 61.79	T 80B2	7.5
	46.1	61.8	211.9	1.1	P - 63 3 61.8	T 80B2	4.0
	45.8	62.3	213.6	3.5	P - 90 3 62.3	T 80B2	7.5
	45.5	20.2	219.2	2.2	P - 71 2 20.2	T 90L6	7.5
	45.1	31.7	221.3	1.1	P - 63 2 31.7	T 90S4	5.6
	44.9	20.5	222.4	1.1	P - 63 2 20.5	T 90L6	5.6
	44.8	20.5	222.7	2.9	P - 80 2 20.53	T 90L6	7.5
	44.7	32.0	218.6	1.1	P L 45 3 32	T 90S4	6.5
	44.4	64.2	220.1	1.9	P - 71 3 64.2	T 80B2	5.4
	44.3	32.3	220.7	2.7	P L 65 3 32.3	T 90S4	8.0
	44.3	64.4	220.8	2.4	P L 65 3 64.4	T 80B2	8.0
	44.2	31.7	226.0	1.1	P - 63 2 31.7	T 80D4	5.6
	43.8	32.0	223.4	1.1	P L 45 3 32	T 80D4	6.5
	43.3	32.3	225.4	2.7	P L 65 3 32.3	T 80D4	8.0
	43.2	33.1	231.0	1.8	P - 71 2 33.1	T 90S4	7.5
	43.0	21.4	232.2	4.0	P - 90 2 21.4	T 90L6	10.5
	42.9	21.5	232.8	2.8	P - 80 2 21.46	T 90L6	7.5
	42.3	33.1	235.9	1.7	P - 71 2 33.1	T 80D4	7.5
	42.0	21.9	237.5	2.0	P - 71 2 21.9	T 90L6	7.5
	41.1	34.8	242.8	2.5	P - 80 2 34.79	T 90S4	7.5
	41.0	69.6	238.5	1.0	P - 63 3 69.6	T 80B2	4.0
	40.9	35.0	244.3	3.5	P - 90 2 35	T 90S4	10.5
	40.4	70.6	242.0	3.3	P - 90 3 70.6	T 80B2	7.5
	40.4	70.6	241.9	0.9	P L 45 3 70.6	T 80B2	6.5
	40.2	34.8	248.0	2.4	P - 80 2 34.79	T 80D4	7.5
	40.0	35.0	249.5	3.4	P - 90 2 35	T 80D4	10.5
	39.1	36.6	255.3	1.0	P - 63 2 36.6	T 90S4	5.6
	38.7	23.8	252.7	3.4	P L 85 3 23.8	T 90L6	11.0
	38.5	23.9	259.2	2.5	P - 80 2 23.89	T 90L6	7.5
	38.3	37.3	260.2	1.6	P - 71 2 37.3	T 90S4	7.5
	38.3	74.4	255.0	2.1	P L 65 3 74.4	T 80B2	8.0
	38.3	36.6	260.9	1.0	P - 63 2 36.6	T 80D4	5.6
	38.2	24.1	261.4	0.9	P - 63 2 24.1	T 90L6	5.6
	38.0	37.6	256.9	2.3	P L 65 3 37.6	T 90S4	8.0
	37.8	75.4	258.4	1.6	P - 71 3 75.4	T 80B2	5.4
	37.8	75.4	258.6	0.9	P - 63 3 75.4	T 80B2	4.0
	37.7	38.0	264.8	2.3	P - 80 2 37.95	T 90S4	7.5
	37.5	37.3	265.9	1.5	P - 71 2 37.3	T 80D4	7.5
	37.4	76.3	261.6	3.1	P - 90 3 76.3	T 80B2	7.5

1,1



P ₁ Input Power kW	n ₂ Output speed min ⁻¹	IR ratio -	T2 Ouput torque Nm	FS' Service Factor -	 GEAR	 EU	P _{tn} Thermal capacity kW
1,1	37,2	37,6	262,4	2,3	P L 65 3 37.6	T 80D4	8,0
	37,0	38,7	264,4	3,4	P - 90 3 38.7	T 90S4	7,5
	36,9	38,0	270,5	2,2	P - 80 2 37.95	T 80D4	7,5
	36,8	25,0	271,2	3,4	P - 90 2 25	T 90L6	10,5
	36,4	25,3	274,5	1,5	P - 71 2 25.3	T 90L6	7,5
	36,2	39,5	269,9	1,7	P - 71 3 39.5	T 90S4	5,4
	36,2	38,7	270,0	3,4	P - 90 3 38.7	T 80D4	7,5
	36,1	39,6	276,7	1,8	P - 80 2 39.63	T 90S4	7,5
	35,4	39,5	275,6	1,7	P - 71 3 39.5	T 80D4	5,4
	35,4	40,4	282,0	2,6	P - 90 2 40.4	T 90S4	10,5
	35,3	39,6	282,5	1,8	P - 80 2 39.63	T 80D4	7,5
	35,3	40,5	282,7	0,8	P - 63 2 40.5	T 90S4	5,6
	35,3	26,1	283,2	0,9	P - 63 2 26.1	T 90L6	5,6
	35,0	81,4	279,1	0,9	P - 63 3 81.4	T 80B2	4,0
	35,0	26,3	285,3	2,3	P - 80 2 26.3	T 90L6	7,5
	35,0	40,9	279,5	0,9	P L 45 3 40.9	T 90S4	6,5
	34,9	26,4	280,3	2,3	P L 65 3 26.4	T 90L6	8,0
	34,7	40,4	288,0	2,5	P - 90 2 40.4	T 80D4	10,5
	34,6	40,5	288,8	0,8	P - 63 2 40.5	T 80D4	5,6
	34,4	82,8	283,9	2,8	P - 90 3 82.8	T 80B2	7,5
	34,2	40,9	285,3	0,9	P L 45 3 40.9	T 80D4	6,5
	33,9	42,3	294,7	1,7	P - 80 2 42.25	T 90S4	7,5
	33,6	84,9	291,0	3,7	P L 85 3 84.9	T 80B2	11,0
	33,5	27,5	292,1	3,4	P L 85 3 27.5	T 90L6	11,0
	33,4	85,4	292,8	1,8	P L 65 3 85.4	T 80B2	8,0
	33,3	85,7	293,6	0,8	P L 45 3 85.7	T 80B2	6,5
	33,2	27,7	300,5	3,1	P - 90 2 27.7	T 90L6	10,5
	33,1	42,3	301,2	1,7	P - 80 2 42.25	T 80D4	7,5
	32,8	86,8	297,5	1,4	P - 71 3 86.8	T 80B2	5,4
	32,7	43,7	298,6	3,0	P - 90 3 43.7	T 90S4	7,5
	32,4	44,1	307,7	2,8	P - 90 2 44.1	T 90S4	10,5
	32,4	28,4	307,8	2,1	P - 80 2 28.38	T 90L6	7,5
	32,3	43,4	302,9	0,8	P - 63 3 43.4	T 80D4	4,0
	32,2	88,4	303,1	0,8	P - 63 3 88.4	T 80B2	4,0
	32,1	28,7	304,6	0,9	P L 45 3 28.7	T 90L6	6,5
	32,0	43,7	304,9	3,9	P L 85 3 43.7	T 80D4	11,0
	32,0	43,7	304,9	3,0	P - 90 3 43.7	T 80D4	7,5
	32,0	44,7	312,0	1,5	P - 71 2 44.7	T 90S4	7,5
	31,9	28,8	312,5	1,5	P - 71 2 28.8	T 90L6	7,5
	31,8	44,1	314,3	2,7	P - 90 2 44.1	T 80D4	10,5
	31,6	45,2	315,4	0,8	P - 63 2 45.2	T 90S4	5,6
	31,3	44,7	318,6	1,4	P - 71 2 44.7	T 80D4	7,5
	31,3	45,7	312,1	0,8	P L 45 3 45.7	T 90S4	6,5
	31,2	91,5	313,6	1,3	P - 71 3 91.5	T 80B2	5,4
	31,1	46,0	314,3	1,9	P L 65 3 46	T 90S4	8,0
	31,0	45,2	322,3	0,7	P - 63 2 45.2	T 80D4	5,6
	30,6	45,7	319,0	0,8	P L 45 3 45.7	T 80D4	6,5
	30,6	93,3	319,8	2,5	P - 90 3 93.3	T 80B2	7,5
	30,5	30,2	327,1	2,0	P - 80 2 30.15	T 90L6	7,5
	30,4	46,0	321,0	1,9	P L 65 3 46	T 80D4	8,0
30,2	30,5	330,9	2,8	P - 90 2 30.5	T 90L6	10,5	
29,8	47,0	327,8	0,8	P - 63 3 47	T 80D4	4,0	
29,7	48,1	336,0	1,5	P - 80 2 48.14	T 90S4	7,5	
29,3	48,8	333,4	2,7	P - 90 3 48.8	T 90S4	7,5	
29,1	98,0	336,0	3,2	P L 85 3 98	T 80B2	11,0	
29,1	48,1	343,1	1,5	P - 80 2 48.14	T 80D4	7,5	
29,0	31,7	343,8	0,7	P - 63 2 31.7	T 90L6	5,6	
28,8	98,9	338,9	0,7	P - 63 3 98.9	T 80B2	4,0	
28,8	99,0	339,4	1,6	P L 65 3 99	T 80B2	8,0	
28,8	32,0	339,8	0,8	P L 45 3 32	T 90L6	6,5	
28,7	99,3	340,5	1,2	P - 71 3 99.3	T 80B2	5,4	
28,7	48,8	340,5	2,7	P - 90 3 48.8	T 80D4	7,5	
28,5	32,3	343,1	1,9	P L 65 3 32.3	T 90L6	8,0	
28,3	100,6	344,8	2,3	P - 90 3 100.6	T 80B2	7,5	
28,3	50,5	352,4	1,3	P - 71 2 50.5	T 90S4	7,5	
28,1	50,9	355,2	1,0	P - 80 2 50.87	T 90S4	7,5	
28,1	50,9	355,2	2,4	P - 90 2 50.9	T 90S4	10,5	
27,8	33,1	359,1	1,1	P - 71 2 33.1	T 90L6	7,5	
27,7	50,5	360,1	1,3	P - 71 2 50.5	T 80D4	7,5	
27,5	50,9	362,5	1,0	P - 80 2 50.87	T 80D4	7,5	
27,5	50,9	362,9	2,4	P - 90 2 50.9	T 80D4	10,5	
26,7	53,5	365,6	1,3	P - 71 3 53.5	T 90S4	5,4	
26,7	34,5	366,3	3,1	P L 85 3 34.5	T 90L6	11,0	
26,5	107,5	368,4	1,1	P - 71 3 107.5	T 80B2	5,4	
26,4	34,8	377,5	1,7	P - 80 2 34.79	T 90L6	7,5	
26,3	54,3	371,0	1,6	P L 65 3 54.3	T 90S4	8,0	
26,3	35,0	379,6	2,3	P - 90 2 35	T 90L6	10,5	
26,2	108,9	373,4	2,4	P - 90 3 108.9	T 80B2	7,5	
26,2	53,5	373,4	1,2	P - 71 3 53.5	T 80D4	5,4	
25,9	55,2	377,0	2,4	P - 90 3 55.2	T 90S4	7,5	
25,8	54,3	378,9	1,6	P L 65 3 54.3	T 80D4	8,0	
25,8	55,5	387,3	0,9	P - 80 2 55.49	T 90S4	7,5	
25,4	56,3	384,6	3,1	P L 85 3 56.3	T 90S4	11,0	
25,4	55,2	385,3	2,4	P - 90 3 55.2	T 80D4	7,5	
25,2	55,5	395,7	0,9	P - 80 2 55.49	T 80D4	7,5	
25,1	113,5	389,1	2,8	P L 85 3 113.5	T 80B2	11,0	
24,9	56,3	392,9	3,1	P L 85 3 56.3	T 80D4	11,0	
24,7	37,3	404,8	1,0	P - 71 2 37.3	T 90L6	7,5	
24,5	116,2	398,4	1,4	P L 65 3 116.2	T 80B2	8,0	
24,5	37,6	399,2	1,6	P L 65 3 37.6	T 90L6	8,0	
24,3	117,2	401,8	3,7	P - 112 3 117.2	T 80B2	11,8	
24,2	38,0	411,6	1,6	P - 80 2 37.95	T 90L6	7,5	
23,8	38,7	411,0	3,2	P L 85 3 38.7	T 90L6	11,0	
23,8	38,7	411,0	2,3	P - 90 3 38.7	T 90L6	7,5	
23,5	60,8	415,4	1,1	P - 71 3 60.8	T 90S4	5,4	



HIGH TECH *line* Motion

P ₁ Input Power kW	n ₂ Output speed min ⁻¹	IR ratio -	T ₂ Ouput torque Nm	FS' Service Factor -	 GEAR	 EU	P _{tn} Thermal capacity kW
	23,3	39,5	419,6	1,1	P - 71 3 39.5	T 90L6	5,4
	23,2	39,6	429,9	1,3	P - 80 2 39.63	T 90L6	7,5
	23,1	61,8	431,1	0,8	P - 80 2 61.79	T 90S4	7,5
	23,0	60,8	424,1	1,1	P - 71 3 60.8	T 80D4	5,4
	23,0	123,8	424,2	1,0	P - 71 3 123.8	T 80B2	5,4
	23,0	62,3	425,8	2,1	P - 90 3 62.3	T 90S4	7,5
	22,8	125,0	428,5	2,1	P - 90 3 125	T 80B2	7,5
	22,8	40,4	438,4	1,7	P - 90 2 40.4	T 90L6	10,5
	22,7	61,8	440,5	0,8	P - 80 2 61.79	T 80D4	7,5
	22,5	62,3	434,8	2,1	P - 90 3 62.3	T 80D4	7,5
	22,4	63,9	436,5	2,7	P L 85 3 63.9	T 90S4	11,0
	22,3	62,7	437,5	4,0	P - 112 3 62.7	T 80D4	11,8
	22,3	64,2	438,9	1,0	P - 71 3 64.2	T 90S4	5,4
	22,2	128,3	439,9	3,4	P - 112 3 128.3	T 80B2	11,8
	22,2	64,4	440,0	1,4	P L 65 3 64.4	T 90S4	8,0
	21,9	63,9	445,9	2,7	P L 85 3 63.9	T 80D4	11,0
	21,8	64,2	447,8	1,0	P - 71 3 64.2	T 80D4	5,4
	21,8	42,3	458,2	1,2	P - 80 2 42.25	T 90L6	7,5
	21,7	64,4	449,3	1,3	P L 65 3 64.4	T 80D4	8,0
	21,2	67,4	460,4	3,8	P - 112 3 67.4	T 90S4	11,8
	21,2	134,3	460,6	0,9	P - 71 3 134.3	T 80B2	5,4
	21,1	43,7	464,1	2,8	P L 85 3 43.7	T 90L6	11,0
	21,1	43,7	464,1	2,0	P - 90 3 43.7	T 90L6	7,5
	20,9	44,1	478,5	2,0	P - 90 2 44.1	T 90L6	10,5
	20,8	136,8	469,0	2,3	P L 85 3 136.8	T 80B2	11,0
	20,8	67,4	470,4	3,7	P - 112 3 67.4	T 80D4	11,8
	20,6	44,7	485,1	0,9	P - 71 2 44.7	T 90L6	7,5
	20,5	138,8	476,0	1,1	P L 65 3 138.8	T 80B2	8,0
	20,3	70,6	482,4	1,9	P - 90 3 70.6	T 90S4	7,5
	20,2	141,0	483,3	1,9	P - 90 3 141	T 80B2	7,5
	20,0	46,0	488,4	1,3	P L 65 3 46	T 90L6	8,0
	19,8	70,6	492,6	1,8	P - 90 3 70.6	T 80D4	7,5
	19,7	72,6	495,9	3,5	P - 112 3 72.6	T 90S4	11,8
	19,3	74,0	505,7	2,4	P L 85 3 74	T 90S4	11,0
	19,3	72,6	506,7	3,5	P - 112 3 72.6	T 80D4	11,8
	19,3	148,0	507,2	3,0	P - 112 3 148	T 80B2	11,8
	19,2	74,4	508,5	1,2	P L 65 3 74.4	T 90S4	8,0
	19,1	48,1	522,1	1,0	P - 80 2 48.14	T 90L6	7,5
	19,0	75,4	514,8	0,9	P - 71 3 75.4	T 90S4	5,4
	18,9	74,0	516,4	2,3	P L 85 3 74	T 80D4	11,0
	18,9	48,8	518,2	1,8	P - 90 3 48.8	T 90L6	7,5
	18,8	74,4	519,3	1,2	P L 65 3 74.4	T 80D4	8,0
	18,7	76,3	521,4	1,7	P - 90 3 76.3	T 90S4	7,5
	18,7	152,8	523,8	1,0	P L 65 3 152.8	T 80B2	8,0
	18,6	75,4	526,0	0,9	P - 71 3 75.4	T 80D4	5,4
	18,4	154,8	530,4	0,8	P - 71 3 154.8	T 80B2	5,4
	18,4	155,2	532,2	1,7	P - 90 3 155.2	T 80B2	7,5
	18,4	76,3	532,4	1,7	P - 90 3 76.3	T 80D4	7,5
	18,2	78,5	536,2	3,3	P - 112 3 78.5	T 90S4	11,8
	18,2	50,5	547,6	0,8	P - 71 2 50.5	T 90L6	7,5
	18,1	50,9	552,3	1,7	P - 90 2 50.9	T 90L6	10,5
	18,0	51,2	543,7	3,4	P - 112 3 51.2	T 90L6	11,8
	17,9	158,9	544,6	3,9	P L 95 3 158.9	T 80B2	16,0
	17,8	78,5	548,0	3,2	P - 112 3 78.5	T 80D4	11,8
	17,8	160,0	548,5	2,0	P L 85 3 160	T 80B2	11,0
	17,5	163,2	559,3	0,8	P - 71 3 163.2	T 80B2	5,4
	17,3	82,8	565,9	1,6	P - 90 3 82.8	T 90S4	7,5
	17,2	53,5	567,9	0,8	P - 71 3 53.5	T 90L6	5,4
	17,1	167,0	572,3	2,6	P - 112 3 167	T 80B2	11,8
	16,9	54,3	576,6	1,1	P L 65 3 54.3	T 90L6	8,0
	16,9	82,8	577,6	1,6	P - 90 3 82.8	T 80D4	7,5
	16,8	84,9	580,2	2,1	P L 85 3 84.9	T 90S4	11,0
	16,8	54,7	580,9	3,9	P L 95 3 54.7	T 90L6	16,0
	16,7	85,4	583,6	1,0	P L 65 3 85.4	T 90S4	8,0
	16,7	55,2	586,0	1,6	P - 90 3 55.2	T 90L6	7,5
	16,5	84,9	592,5	2,0	P L 85 3 84.9	T 80D4	11,0
	16,5	86,8	593,2	0,8	P - 71 3 86.8	T 90S4	5,4
	16,4	85,4	596,2	1,0	P L 65 3 85.4	T 80D4	8,0
	16,4	87,3	596,5	2,9	P - 112 3 87.3	T 90S4	11,8
	16,3	56,3	597,8	2,2	P L 85 3 56.3	T 90L6	11,0
	16,3	86,0	600,1	4,0	P L 95 3 86	T 80D4	16,0
	16,3	175,4	601,2	0,9	P L 65 3 175.4	T 80B2	8,0
	16,1	86,8	606,0	0,8	P - 71 3 86.8	T 80D4	5,4
	16,0	87,3	609,0	2,9	P - 112 3 87.3	T 80D4	11,8
	16,0	178,1	610,7	1,5	P - 90 3 178.1	T 80B2	7,5
	15,7	58,5	621,1	3,0	P - 112 3 58.5	T 90L6	11,8
	15,6	91,5	624,7	0,7	P - 71 3 91.5	T 90S4	5,4
	15,4	184,6	632,6	1,7	P L 85 3 184.6	T 80B2	11,0
	15,3	93,3	637,2	1,4	P - 90 3 93.3	T 90S4	7,5
	15,3	91,5	638,9	0,7	P - 71 3 91.5	T 80D4	5,4
	15,3	93,6	639,3	2,7	P - 112 3 93.6	T 90S4	11,8
	15,2	187,1	641,5	3,3	P L 95 3 187.1	T 80B2	16,0
	15,1	60,8	645,4	0,7	P - 71 3 60.8	T 90L6	5,4
	15,0	93,3	650,8	1,4	P - 90 3 93.3	T 80D4	7,5
	15,0	93,6	653,0	2,7	P - 112 3 93.6	T 80D4	11,8
	14,9	191,5	656,6	2,3	P - 112 3 191.5	T 80B2	11,8
	14,8	62,3	661,3	1,4	P - 90 3 62.3	T 90L6	7,5
	14,7	62,7	666,0	2,8	P - 112 3 62.7	T 90L6	11,8
	14,6	98,0	669,7	1,8	P L 85 3 98	T 90S4	11,0
	14,5	98,4	672,4	3,6	P L 95 3 98.4	T 90S4	16,0
	14,4	99,0	676,2	0,9	P L 65 3 99	T 90S4	8,0
	14,4	63,9	678,4	1,9	P L 85 3 63.9	T 90L6	11,0
	14,4	197,9	678,1	0,8	P L 65 3 197.9	T 80B2	8,0
	14,3	199,5	683,6	3,1	P L 95 3 199.5	T 80B2	16,0
	14,3	98,0	683,6	1,8	P L 85 3 98	T 80D4	11,0



1,1

P ₁ Input Power kW	n ₂ Output speed min ⁻¹	IR ratio -	T2 Output torque Nm	FS' Service Factor -	 GEAR	 EU	P _{tn} Thermal capacity kW
14,3	64,4	683,6	1,0	P L 65 3 64.4	T 90L6	8,0	
14,2	98,4	686,6	3,5	P L 95 3 98.4	T 80D4	16,0	
14,2	100,6	687,5	1,3	P - 90 3 100.6	T 90S4	7,5	
14,2	201,0	688,9	1,3	P - 90 3 201	T 80B2	7,5	
14,1	99,0	691,1	0,9	P L 65 3 99	T 80D4	8,0	
14,1	65,4	694,3	3,5	P L 95 3 65.4	T 90L6	16,0	
14,0	204,1	699,6	1,5	P L 85 3 204.1	T 80B2	11,0	
13,9	100,6	702,0	1,3	P - 90 3 100.6	T 80D4	7,5	
13,7	67,4	715,6	2,6	P - 112 3 67.4	T 90L6	11,8	
13,3	214,0	733,3	1,5	P L 85 3 214	T 80B2	11,0	
13,2	108,4	740,7	2,4	P - 112 3 108.4	T 90S4	11,8	
13,1	108,9	744,2	1,2	P - 90 3 108.9	T 90S4	7,5	
13,0	70,6	750,0	1,3	P - 90 3 70.6	T 90L6	7,5	
12,9	108,4	756,1	2,3	P - 112 3 108.4	T 80D4	11,8	
12,9	220,9	757,2	2,0	P - 112 3 220.9	T 80B2	11,8	
12,9	221,3	758,6	2,8	P L 95 3 221.3	T 80B2	16,0	
12,9	108,9	759,5	1,2	P - 90 3 108.9	T 80D4	7,5	
12,7	224,4	769,4	1,2	P - 90 3 224.4	T 80B2	7,5	
12,7	72,6	771,2	2,4	P - 112 3 72.6	T 90L6	11,8	
12,6	113,5	775,6	1,5	P L 85 3 113.5	T 90S4	11,0	
12,4	74,0	786,1	1,7	P L 85 3 74	T 90L6	11,0	
12,4	74,2	787,8	3,0	P L 95 3 74.2	T 90L6	16,0	
12,4	74,4	790,1	0,8	P L 65 3 74.4	T 90L6	8,0	
12,3	116,0	792,3	3,0	P L 95 3 116	T 90S4	16,0	
12,3	113,5	792,3	1,5	P L 85 3 113.5	T 80D4	11,0	
12,3	116,2	793,3	0,8	P L 65 3 116.2	T 90S4	8,0	
12,2	117,2	800,7	2,2	P - 112 3 117.2	T 90S4	11,8	
12,2	234,0	802,2	1,3	P L 85 3 234	T 80B2	11,0	
12,1	116,0	809,3	3,0	P L 95 3 116	T 80D4	16,0	
12,1	76,3	810,2	1,2	P - 90 3 76.3	T 90L6	7,5	
12,1	116,2	810,8	0,7	P L 65 3 116.2	T 80D4	8,0	
12,0	117,2	817,4	2,1	P - 112 3 117.2	T 80D4	11,8	
11,8	241,0	825,8	1,8	P - 112 3 241	T 80B2	11,8	
11,7	243,2	833,6	2,5	P L 95 3 243.2	T 80B2	16,0	
11,7	78,5	833,7	2,2	P - 112 3 78.5	T 90L6	11,8	
11,5	79,8	856,5	3,8	P L 105 3 79.8	T 90L6	22,0	
11,4	125,0	854,1	1,1	P - 90 3 125	T 90S4	7,5	
11,4	251,2	832,9	3,8	P E 125 251,17	T 80B2	10,5	
11,3	126,1	870,8	3,9	P L 105 3 126.1	T 90S4	22,0	
11,3	253,2	867,4	1,0	P - 90 3 253.2	T 80B2	7,5	
11,2	125,0	872,0	1,0	P - 90 3 125	T 80D4	7,5	
11,2	128,3	876,2	2,0	P - 112 3 128.3	T 90S4	11,8	
11,1	82,8	879,4	1,1	P - 90 3 82.8	T 90L6	7,5	
11,1	126,1	889,6	3,8	P L 105 3 126.1	T 80D4	22,0	
10,9	128,3	895,3	2,0	P - 112 3 128.3	T 80D4	11,8	
10,8	84,9	901,1	1,4	P L 85 3 84.9	T 90L6	11,0	
10,8	85,4	907,4	0,7	P L 65 3 85.4	T 90L6	8,0	
10,7	266,2	912,3	2,3	P L 95 3 266.2	T 80B2	16,0	
10,7	86,0	913,2	2,6	P L 95 3 86	T 90L6	16,0	
10,6	134,4	918,3	2,6	P L 95 3 134.4	T 90S4	16,0	
10,6	270,0	925,2	1,2	P L 85 3 270	T 80B2	11,0	
10,5	87,3	927,1	2,0	P - 112 3 87.3	T 90L6	11,8	
10,5	87,4	937,8	3,6	P L 105 3 87.4	T 90L6	22,0	
10,5	136,8	934,8	1,3	P L 85 3 136.8	T 90S4	11,0	
10,4	273,5	907,3	3,3	P E 125 273,48	T 80B2	10,5	
10,4	134,4	937,5	2,6	P L 95 3 134.4	T 80D4	16,0	
10,3	278,1	953,2	1,6	P - 112 3 278.1	T 80B2	11,8	
10,2	136,8	955,1	1,3	P L 85 3 136.8	T 80D4	11,0	
10,2	139,9	966,2	3,5	P L 105 3 139.9	T 90S4	22,0	
10,2	90,6	972,9	3,6	P L 105 3 90.6	T 90L6	22,0	
10,1	141,0	963,4	0,9	P - 90 3 141	T 90S4	7,5	
10,0	139,9	986,5	3,4	P L 105 3 139.9	T 80D4	22,0	
10,0	286,5	950,1	3,7	P E 132 286,51	T 80B2	12,0	
9,9	141,0	984,3	0,9	P - 90 3 141	T 80D4	7,5	
9,9	93,3	990,9	1,0	P - 90 3 93.3	T 90L6	7,5	
9,8	93,6	993,7	1,9	P - 112 3 93.6	T 90L6	11,8	
9,7	148,0	1011,6	1,7	P - 112 3 148	T 90S4	11,8	
9,5	148,0	1032,7	1,7	P - 112 3 148	T 80D4	11,8	
9,4	151,5	1001,6	3,5	P E 125 151,48	T 90S4	10,5	
9,4	98,0	1040,8	1,2	P L 85 3 98	T 90L6	11,0	
9,4	98,4	1044,7	2,3	P L 95 3 98.4	T 90L6	16,0	
9,3	153,9	1063,0	3,2	P L 105 3 153.9	T 90S4	22,0	
9,3	307,7	1020,9	3,1	P E 125 307,71	T 80B2	10,5	
9,2	151,5	1023,1	3,4	P E 125 151,48	T 80D4	10,5	
9,2	155,2	1060,4	0,9	P - 90 3 155.2	T 90S4	7,5	
9,2	100,4	1078,1	3,3	P L 105 3 100.4	T 90L6	22,0	
9,2	100,6	1067,2	0,9	P - 90 3 100.6	T 90L6	7,5	
9,1	153,9	1085,2	3,2	P L 105 3 153.9	T 80D4	22,0	
9,0	158,6	1048,1	3,8	P E 132 158,56	T 90S4	12,0	
9,0	155,2	1083,3	0,8	P - 90 3 155.2	T 80D4	7,5	
9,0	316,6	1050,5	3,3	P E 132 316,62	T 80B2	12,0	
9,0	158,9	1085,5	2,2	P L 95 3 158.9	T 90S4	16,0	
8,9	160,0	1092,7	1,1	P L 85 3 160	T 90S4	11,0	
8,8	158,6	1070,8	3,7	P E 132 158,56	T 80D4	12,0	
8,8	158,9	1108,8	2,2	P L 95 3 158.9	T 80D4	16,0	
8,8	160,0	1116,8	1,1	P L 85 3 160	T 80D4	11,0	
8,6	167,0	1141,1	1,5	P - 112 3 167	T 90S4	11,8	
8,5	108,4	1150,7	1,6	P - 112 3 108.4	T 90L6	11,8	
8,5	169,2	1168,4	3,0	P L 105 3 169.2	T 90S4	22,0	
8,5	108,9	1156,3	0,8	P - 90 3 108.9	T 90L6	7,5	
8,4	167,0	1166,0	1,5	P - 112 3 167	T 80D4	11,8	
8,3	110,5	1185,5	3,0	P L 105 3 110.5	T 90L6	22,0	
8,3	169,2	1194,2	2,9	P L 105 3 169.2	T 80D4	22,0	
8,2	173,5	1147,3	3,5	P E 132 173,51	T 90S4	12,0	
8,1	350,3	1161,3	2,2	P E 125 350,27	T 80B2	10,5	



1,1



HIGH TECH *line* Motion



P ₁ Input Power kW	n ₂ Output speed min ⁻¹	IR ratio -	T ₂ Output torque Nm	FS' Service Factor -			P _{tn} Thermal capacity kW
	8,1	113,5	1204,7	1,1	P L 85 3 113,5	T 90L6	11,0
	8,1	352,5	1168,8	3,0	P E 132 352,46	T 80B2	12,0
	8,1	173,5	1171,5	3,4	P E 132 173,51	T 80D4	12,0
	8,0	178,1	1216,3	0,7	P - 90 3 178,1	T 90S4	7,5
	7,9	116,0	1231,9	1,9	P L 95 3 116	T 90L6	16,0
	7,9	178,1	1243,5	0,7	P - 90 3 178,1	T 80D4	7,5
	7,9	117,2	1244,5	1,5	P - 112 3 117,2	T 90L6	11,8
	7,8	184,6	1260,7	1,0	P L 85 3 184,6	T 90S4	11,0
	7,7	185,2	1279,1	2,7	P L 105 3 185,2	T 90S4	22,0
	7,7	185,6	1227,7	2,9	P E 125 185,62	T 90S4	10,5
	7,6	187,1	1278,5	1,9	P L 95 3 187,1	T 90S4	16,0
	7,6	184,6	1289,1	0,9	P L 85 3 184,6	T 80D4	11,0
	7,6	185,2	1306,0	2,7	P L 105 3 185,2	T 80D4	22,0
	7,5	185,6	1254,1	2,8	P E 125 185,62	T 80D4	10,5
	7,5	191,0	1262,2	3,2	P E 132 190,95	T 90S4	12,0
	7,5	187,1	1306,3	1,8	P L 95 3 187,1	T 80D4	16,0
	7,5	191,5	1307,7	1,3	P - 112 3 191,5	T 90S4	11,8
	7,4	383,9	1274,0	2,5	P E 125 383,88	T 80B2	10,5
	7,4	125,0	1327,6	0,7	P - 90 3 125	T 90L6	7,5
	7,4	387,9	1286,3	2,7	P E 132 387,9	T 80B2	12,0
	7,3	191,0	1289,9	3,1	P E 132 190,95	T 80D4	12,0
	7,3	191,5	1336,8	1,3	P - 112 3 191,5	T 80D4	11,8
	7,3	126,1	1352,9	2,7	P L 105 3 126,1	T 90L6	22,0
	7,2	199,5	1362,2	1,8	P L 95 3 199,5	T 90S4	16,0
	7,2	128,3	1362,2	1,4	P - 112 3 128,3	T 90L6	11,8
	7,0	199,5	1391,7	1,7	P L 95 3 199,5	T 80D4	16,0
	7,0	204,1	1393,9	0,9	P L 85 3 204,1	T 90S4	11,0
	6,9	204,1	1423,9	0,8	P L 85 3 204,1	T 80D4	11,0
	6,9	416,3	1380,4	2,3	P E 125 416,28	T 80B2	10,5
	6,9	134,4	1426,3	1,7	P L 95 3 134,4	T 90L6	16,0
	6,8	420,9	1396,7	3,9	P E 150 420,86	T 80B2	16,0
	6,7	212,6	1404,9	2,8	P E 132 212,62	T 90S4	12,0
	6,7	136,8	1451,8	0,9	P L 85 3 136,8	T 90L6	11,0
	6,7	214,0	1461,8	0,8	P L 85 3 214	T 90S4	11,0
	6,6	212,6	1437,0	2,8	P E 132 212,62	T 80D4	12,0
	6,6	139,9	1500,4	2,5	P L 105 3 139,9	T 90L6	22,0
	6,5	214,0	1493,2	0,8	P L 85 3 214	T 80D4	11,0
	6,5	439,7	1458,9	2,4	P E 132 439,72	T 80B2	12,0
	6,5	220,9	1509,8	1,2	P - 112 3 220,9	T 90S4	11,8
	6,5	221,3	1512,0	1,6	P L 95 3 221,3	T 90S4	16,0
	6,3	220,9	1541,2	1,1	P - 112 3 220,9	T 80D4	11,8
	6,3	221,3	1543,0	1,6	P L 95 3 221,3	T 80D4	16,0
	6,3	227,3	1503,3	2,3	P E 125 227,28	T 90S4	10,5
	6,2	458,3	1520,0	3,6	P E 150 458,31	T 80B2	16,0
	6,2	148,0	1570,2	1,2	P - 112 3 148	T 90L6	11,8
	6,2	461,9	1532,4	2,1	P E 125 461,93	T 80B2	10,5
	6,2	227,3	1535,1	2,3	P E 125 227,28	T 80D4	10,5
	6,1	234,0	1547,1	2,6	P E 132 234	T 90S4	12,0
	6,1	234,0	1598,1	0,8	P L 85 3 234	T 90S4	11,0
	6,1	151,5	1557,4	2,2	P E 125 151,48	T 90L6	10,5
	6,0	234,0	1581,0	2,5	P E 132 234	T 80D4	12,0
	6,0	153,9	1651,1	2,3	P L 105 3 153,9	T 90L6	22,0
	6,0	234,0	1633,7	0,7	P L 85 3 234	T 80D4	11,0
	5,9	241,0	1648,1	1,1	P - 112 3 241	T 90S4	11,8
	5,9	483,9	1605,5	2,2	P E 132 483,92	T 80B2	12,0
	5,9	243,2	1661,4	1,4	P L 95 3 243,2	T 90S4	16,0
	5,8	241,0	1681,2	1,0	P - 112 3 241	T 80D4	11,8
	5,8	158,6	1630,2	2,5	P E 132 158,56	T 90L6	12,0
	5,8	158,9	1686,9	1,4	P L 95 3 158,9	T 90L6	16,0
	5,8	243,2	1696,7	1,4	P L 95 3 243,2	T 80D4	16,0
	5,8	160,0	1698,3	0,8	P L 85 3 160	T 90L6	11,0
	5,7	251,2	1661,6	2,1	P E 125 251,17	T 90S4	10,5
	5,7	501,5	1664,3	3,2	P E 150 501,52	T 80B2	16,0
	5,6	251,2	1697,5	2,1	P E 125 251,17	T 80D4	10,5
	5,5	167,0	1773,0	1,0	P - 112 3 167	T 90L6	11,8
	5,5	260,3	1722,1	2,3	P E 132 260,34	T 90S4	12,0
	5,5	519,6	1725,5	1,9	P E 125 519,6	T 80B2	10,5
	5,4	169,2	1815,5	2,1	P L 105 3 169,2	T 90L6	22,0
	5,4	524,8	1741,3	2,0	P E 132 524,76	T 80B2	12,0
	5,4	265,4	1753,9	3,4	P E 150 265,44	T 90S4	16,0
	5,4	260,3	1757,2	2,3	P E 132 260,34	T 80D4	12,0
	5,4	266,2	1819,4	1,3	P L 95 3 266,2	T 90S4	16,0
	5,3	173,5	1783,5	2,2	P E 132 173,51	T 90L6	12,0
	5,3	265,4	1794,0	3,3	P E 150 265,44	T 80D4	16,0
	5,3	266,2	1857,8	1,3	P L 95 3 266,2	T 80D4	16,0
	5,2	543,9	1804,1	1,9	P E 132 543,89	T 80B2	12,0
	5,2	273,5	1807,9	1,8	P E 125 273,48	T 90S4	10,5
	5,2	549,0	1821,5	3,0	P E 150 548,95	T 80B2	16,0
	5,1	278,1	1900,3	0,9	P - 112 3 278,1	T 90S4	11,8
	5,1	273,5	1846,8	1,7	P E 125 273,48	T 80D4	10,5
	5,1	280,9	1857,6	3,2	P E 150 280,94	T 90S4	16,0
	5,0	278,1	1942,5	0,9	P - 112 3 278,1	T 80D4	11,8
	5,0	286,5	1894,9	2,1	P E 132 286,51	T 90S4	12,0
	5,0	280,9	1898,7	3,2	P E 150 280,94	T 80D4	16,0
	5,0	185,2	1986,8	1,9	P L 105 3 185,2	T 90L6	22,0
	5,0	185,6	1905,9	1,8	P E 125 185,62	T 90L6	10,5
	4,9	187,1	1985,0	1,2	P L 95 3 187,1	T 90L6	16,0
	4,9	580,5	1926,1	1,4	P E 125 580,52	T 80B2	10,5
	4,9	286,5	1933,2	2,1	P E 132 286,51	T 80D4	12,0
	4,8	191,0	1961,7	2,0	P E 132 190,95	T 90L6	12,0
	4,8	191,5	2035,8	0,9	P - 112 3 191,5	T 90L6	11,8
	4,8	595,3	1974,1	2,7	P E 150 595,28	T 80B2	16,0
	4,8	595,2	1973,3	1,8	P E 132 595,18	T 80B2	12,0
	4,7	307,7	2032,7	1,7	P E 125 307,71	T 90S4	10,5
	4,6	310,5	2051,0	2,9	P E 150 310,47	T 90S4	16,0

1,1



P ₁ Input Power kW	n ₂ Output speed min ⁻¹	IR ratio -	T2 Ouput torque Nm	FS' Service Factor -	 GEAR	 EU	P _{tn} Thermal capacity kW
1,1	4,6	199,5	2118,8	1,1	P L 95 3 199,5	T 90L6	16,0
	4,6	625,2	2073,0	1,5	P E 125 625,23	T 80B2	10,5
	4,6	307,7	2077,7	1,7	P E 125 307,71	T 80D4	10,5
	4,5	316,6	2091,3	1,9	P E 132 316,62	T 90S4	12,0
	4,5	310,5	2096,6	2,9	P E 150 310,47	T 80D4	16,0
	4,4	643,2	2134,4	2,5	P E 150 643,23	T 80B2	16,0
	4,4	316,6	2139,0	1,9	P E 132 316,62	T 80D4	12,0
	4,4	325,0	2148,4	2,8	P E 150 325	T 90S4	16,0
	4,4	648,4	2149,0	1,5	P E 125 648,43	T 80B2	10,5
	4,4	649,0	2153,7	3,8	P E 170 649	T 80B2	21,0
	4,4	655,0	2173,9	1,6	P E 132 655,01	T 80B2	12,0
	4,3	212,6	2183,6	1,8	P E 132 212,62	T 90L6	12,0
	4,3	325,0	2193,4	2,7	P E 150 325	T 80D4	16,0
	4,3	216,6	2224,5	2,7	P E 150 216,61	T 90L6	16,0
	4,2	221,3	2348,8	1,0	P L 95 3 221,3	T 90L6	16,0
	4,2	220,9	2349,0	0,8	P - 112 3 220,9	T 90L6	11,8
	4,1	697,5	2311,3	2,3	P E 150 697,51	T 80B2	16,0
	4,1	697,9	2317,3	3,5	P E 170 697,85	T 80B2	21,0
	4,1	350,3	2316,7	1,2	P E 125 350,27	T 90S4	10,5
	4,1	352,5	2329,3	1,7	P E 132 352,46	T 90S4	12,0
	4,1	227,3	2334,7	1,5	P E 125 227,28	T 90L6	10,5
	4,0	357,1	2363,9	3,8	P E 170 357,1	T 90S4	21,0
	4,0	350,3	2362,8	1,1	P E 125 350,27	T 80D4	10,5
	4,0	359,2	2375,8	2,5	P E 150 359,17	T 90S4	16,0
	4,0	352,5	2381,0	1,7	P E 132 352,46	T 80D4	12,0
	3,9	234,0	2405,7	1,7	P E 132 234	T 90L6	12,0
	3,9	724,6	2406,2	1,2	P E 125 724,6	T 80B2	10,5
	3,9	357,1	2411,7	3,7	P E 170 357,1	T 80D4	21,0
	3,9	359,2	2423,8	2,5	P E 150 359,17	T 80D4	16,0
	3,8	743,0	2461,7	2,2	P E 150 743,02	T 80B2	16,0
	3,8	742,8	2461,6	1,4	P E 132 742,75	T 80B2	12,0
	3,8	241,0	2558,1	0,7	P - 112 3 241	T 90L6	11,8
	3,8	377,5	2494,3	3,6	P E 170 377,45	T 90S4	21,0
	3,8	243,2	2585,7	0,9	P L 95 3 243,2	T 90L6	16,0
	3,8	756,8	2507,7	3,2	P E 170 756,78	T 80B2	21,0
	3,8	380,8	2514,3	2,4	P E 150 380,82	T 90S4	16,0
	3,7	246,9	2534,6	3,6	P E 170 246,94	T 90L6	21,0
	3,7	383,9	2534,6	1,4	P E 125 383,88	T 90S4	10,5
	3,7	766,5	2541,7	2,1	P E 150 766,52	T 80B2	16,0
	3,7	377,5	2548,3	3,5	P E 170 377,45	T 80D4	21,0
	3,7	387,9	2562,6	1,6	P E 132 387,9	T 90S4	12,0
	3,7	380,8	2569,1	2,3	P E 150 380,82	T 80D4	16,0
	3,7	251,2	2583,9	1,4	P E 125 251,17	T 90L6	10,5
	3,7	383,9	2590,8	1,4	P E 125 383,88	T 80D4	10,5
	3,7	780,3	2590,1	1,2	P E 125 780,26	T 80B2	10,5
	3,6	387,9	2619,0	1,5	P E 132 387,9	T 80D4	12,0
	3,5	260,3	2678,0	1,5	P E 132 260,34	T 90L6	12,0
	3,5	811,3	2693,5	3,0	P E 170 811,25	T 80B2	21,0
	3,5	409,3	2709,4	3,3	P E 170 409,33	T 90S4	21,0
	3,5	817,4	2709,4	1,3	P E 132 817,42	T 80B2	12,0
	3,5	265,4	2725,0	2,2	P E 150 265,44	T 90L6	16,0
	3,5	266,2	2823,5	0,9	P L 95 3 266,2	T 90L6	16,0
	3,4	416,3	2748,0	1,3	P E 125 416,28	T 90S4	10,5
	3,4	831,2	2756,4	2,0	P E 150 831,21	T 80B2	16,0
	3,4	268,8	2764,6	3,3	P E 170 268,78	T 90L6	21,0
	3,4	409,3	2764,6	3,3	P E 170 409,33	T 80D4	21,0
	3,4	420,9	2781,3	2,2	P E 150 420,86	T 90S4	16,0
	3,4	416,3	2814,3	1,2	P E 125 416,28	T 80D4	10,5
	3,4	273,5	2813,7	1,1	P E 125 273,48	T 90L6	10,5
	3,3	420,9	2838,7	2,1	P E 150 420,86	T 80D4	16,0
	3,3	280,9	2890,9	2,1	P E 150 280,94	T 90L6	16,0
	3,3	870,6	2891,9	1,9	P E 150 870,64	T 80B2	16,0
	3,3	439,7	2908,1	1,4	P E 132 439,72	T 90S4	12,0
	3,2	879,8	2918,1	3,9	P E 190 879,75	T 80B2	27,0
	3,2	879,8	2918,4	2,8	P E 170 879,75	T 80B2	21,0
	3,2	445,6	2945,6	3,1	P E 170 445,6	T 90S4	21,0
	3,2	286,5	2945,1	1,4	P E 132 286,51	T 90L6	12,0
	3,2	439,7	2973,0	1,3	P E 132 439,72	T 80D4	12,0
	3,2	905,7	3000,8	1,2	P E 132 905,66	T 80B2	12,0
	3,2	904,3	3002,7	1,0	P E 125 904,27	T 80B2	10,5
	3,1	445,6	3010,9	3,0	P E 170 445,6	T 80D4	21,0
	3,1	458,3	3030,3	2,0	P E 150 458,31	T 90S4	16,0
	3,1	461,9	3050,7	1,1	P E 125 461,93	T 90S4	10,5
	3,1	302,0	3099,6	2,9	P E 170 301,96	T 90L6	21,0
	3,1	458,3	3100,0	1,9	P E 150 458,31	T 80D4	16,0
	3,0	461,9	3119,9	1,1	P E 125 461,93	T 80D4	10,5
	3,0	948,1	3141,2	1,7	P E 150 948,12	T 80B2	16,0
	3,0	307,7	3160,9	1,1	P E 125 307,71	T 90L6	10,5
	3,0	958,0	3183,2	3,6	P E 190 958,04	T 80B2	27,0
	3,0	483,2	3194,0	3,9	P E 190 483,23	T 90S4	27,0
	3,0	483,2	3194,6	2,8	P E 170 483,23	T 90S4	21,0
	3,0	310,5	3194,6	1,9	P E 150 310,47	T 90L6	16,0
	3,0	483,9	3193,0	1,3	P E 132 483,92	T 90S4	12,0
	2,9	316,6	3249,6	1,2	P E 132 316,62	T 90L6	12,0
	2,9	317,4	3259,8	3,8	P E 190 317,42	T 90L6	27,0
	2,9	483,2	3259,8	3,8	P E 190 483,23	T 80D4	27,0
	2,9	483,2	3259,8	2,8	P E 170 483,23	T 80D4	21,0
	2,9	981,4	3260,2	2,5	P E 170 981,35	T 80B2	21,0
	2,9	483,9	3271,4	1,2	P E 132 483,92	T 80D4	12,0
	2,9	501,5	3316,6	1,8	P E 150 501,52	T 90S4	16,0
	2,8	325,0	3340,1	1,8	P E 150 325	T 90L6	16,0
	2,8	329,4	3388,4	3,7	P E 190 329,43	T 90L6	27,0
	2,8	501,5	3388,1	1,8	P E 150 501,52	T 80D4	16,0
	2,8	330,6	3400,9	2,6	P E 170 330,6	T 90L6	21,0
	2,8	520,0	3437,5	2,6	P E 170 520,04	T 90S4	21,0



HIGH TECH *line* Motion



P ₁ Input Power kW	n ₂ Output speed min ⁻¹	IR ratio -	T ₂ Output torque Nm	FS' Service Factor -	 GEAR	 EU	P _{tn} Thermal capacity kW
-------------------------------------	---	------------------	---------------------------------------	----------------------------	---	---	---

1,1	2,8	1037,5	3437,5	1,6	P E 150 1037,52	T 80B2	16,0
	2,8	519,6	3437,5	1,0	P E 125 519,6	T 90S4	10,5
	2,7	524,8	3461,8	1,2	P E 132 524,76	T 90S4	12,0
	2,7	526,2	3475,7	3,6	P E 190 526,24	T 90S4	27,0
	2,7	520,0	3514,4	2,6	P E 170 520,04	T 80D4	21,0
	2,7	519,6	3516,0	1,0	P E 125 519,6	T 80D4	10,5
	2,7	1064,2	3527,6	3,3	P E 190 1064,22	T 80B2	27,0
	2,7	1064,2	3527,3	2,3	P E 170 1064,22	T 80B2	21,0
	2,7	524,8	3539,8	1,1	P E 132 524,76	T 80D4	12,0
	2,7	526,2	3553,9	3,5	P E 190 526,24	T 80D4	27,0
	2,7	347,4	3567,7	3,5	P E 190 347,35	T 90L6	27,0
	2,6	543,9	3594,8	1,1	P E 132 543,89	T 90S4	12,0
	2,6	350,3	3595,6	0,8	P E 125 350,27	T 90L6	10,5
	2,6	352,5	3621,4	1,1	P E 132 352,46	T 90L6	12,0
	2,6	549,0	3636,4	1,7	P E 150 548,95	T 90S4	16,0
	2,6	357,1	3664,7	3,4	P E 190 357,1	T 90L6	27,0
	2,6	357,1	3664,0	2,5	P E 170 357,1	T 90L6	21,0
	2,6	543,9	3678,9	1,1	P E 132 543,89	T 80D4	12,0
	2,6	559,2	3692,7	2,4	P E 170 559,19	T 90S4	21,0
	2,6	359,2	3693,3	1,6	P E 150 359,17	T 90L6	16,0
	2,6	549,0	3707,9	1,6	P E 150 548,95	T 80D4	16,0
	2,5	559,2	3781,5	2,4	P E 170 559,19	T 80D4	21,0
	2,5	575,9	3812,0	3,3	P E 190 575,86	T 90S4	27,0
	2,5	1158,9	3843,8	3,0	P E 190 1158,92	T 80B2	27,0
	2,5	1158,9	3843,8	2,1	P E 170 1158,92	T 80B2	21,0
	2,5	580,5	3843,4	0,8	P E 125 580,52	T 90S4	10,5
	2,4	377,5	3874,8	2,3	P E 170 377,45	T 90L6	21,0
	2,4	575,9	3890,8	3,2	P E 190 575,86	T 80D4	27,0
	2,4	380,8	3907,6	1,5	P E 150 380,82	T 90L6	16,0
	2,4	1183,2	3923,4	1,4	P E 150 1183,21	T 80B2	16,0
	2,4	580,5	3923,7	0,7	P E 125 580,52	T 80D4	10,5
	2,4	595,3	3940,3	1,5	P E 150 595,28	T 90S4	16,0
	2,4	595,2	3939,1	1,0	P E 132 595,18	T 90S4	12,0
	2,4	383,9	3940,6	0,9	P E 125 383,88	T 90L6	10,5
	2,4	388,9	3989,0	3,1	P E 190 388,88	T 90L6	27,0
	2,4	387,9	3989,1	1,0	P E 132 387,9	T 90L6	12,0
	2,4	606,4	4006,4	3,1	P E 190 606,41	T 90S4	27,0
	2,4	606,4	4006,5	2,2	P E 170 606,41	T 90S4	21,0
	2,4	595,3	4024,4	1,5	P E 150 595,28	T 80D4	16,0
	2,4	595,2	4021,9	1,0	P E 132 595,18	T 80D4	12,0
	2,3	606,4	4092,3	3,1	P E 190 606,41	T 80D4	27,0
	2,3	606,4	4092,6	2,2	P E 170 606,41	T 80D4	21,0
	2,3	625,2	4126,5	0,8	P E 125 625,23	T 90S4	10,5
	2,3	1268,2	4202,7	2,7	P E 190 1268,2	T 80B2	27,0
	2,3	409,3	4202,0	2,1	P E 170 409,33	T 90L6	21,0
	2,3	1268,2	4202,8	1,9	P E 170 1268,2	T 80B2	21,0
	2,2	625,2	4221,5	0,8	P E 125 625,23	T 80D4	10,5
	2,2	643,2	4258,1	1,4	P E 150 643,23	T 90S4	16,0
	2,2	416,3	4277,8	0,8	P E 125 416,28	T 90L6	10,5
	2,2	648,4	4277,8	0,8	P E 125 648,43	T 90S4	10,5
2,2	649,0	4296,9	2,1	P E 170 649	T 90S4	21,0	
2,2	1294,8	4298,1	1,3	P E 150 1294,77	T 80B2	16,0	
2,2	420,9	4316,5	1,4	P E 150 420,86	T 90L6	16,0	
2,2	643,2	4336,4	1,4	P E 150 643,23	T 80D4	16,0	
2,2	655,0	4335,0	0,9	P E 132 655,01	T 90S4	12,0	
2,2	660,4	4356,8	2,9	P E 190 660,37	T 90S4	27,0	
2,2	425,6	4377,6	2,9	P E 190 425,55	T 90L6	27,0	
2,2	649,0	4376,7	2,1	P E 170 649	T 80D4	21,0	
2,2	648,4	4375,0	0,8	P E 125 648,43	T 80D4	10,5	
2,1	655,0	4417,7	0,9	P E 132 655,01	T 80D4	12,0	
2,1	660,4	4459,9	2,8	P E 190 660,37	T 80D4	27,0	
2,1	439,7	4522,1	0,9	P E 132 439,72	T 90L6	12,0	
2,1	445,6	4589,7	2,0	P E 170 445,6	T 90L6	21,0	
2,1	448,2	4612,5	2,7	P E 190 448,15	T 90L6	27,0	
2,1	697,9	4611,1	2,0	P E 170 697,85	T 90S4	21,0	
2,1	697,5	4612,2	1,3	P E 150 697,51	T 90S4	16,0	
2,0	1395,7	4635,4	2,5	P E 190 1395,69	T 80B2	27,0	
2,0	1395,7	4633,4	1,7	P E 170 1395,69	T 80B2	21,0	
2,0	704,9	4657,9	2,7	P E 190 704,94	T 90S4	27,0	
2,0	697,9	4703,1	1,9	P E 170 697,85	T 80D4	21,0	
2,0	458,3	4704,2	1,3	P E 150 458,31	T 90L6	16,0	
2,0	697,5	4704,2	1,3	P E 150 697,51	T 80D4	16,0	
2,0	1424,9	4725,5	1,1	P E 150 1424,94	T 80B2	16,0	
2,0	704,9	4751,2	2,6	P E 190 704,94	T 80D4	27,0	
2,0	461,9	4753,1	0,7	P E 125 461,93	T 90L6	10,5	
1,9	742,8	4899,8	0,8	P E 132 742,75	T 90S4	12,0	
1,9	743,0	4925,4	1,2	P E 150 743,02	T 90S4	16,0	
1,9	483,2	4976,5	2,5	P E 190 483,23	T 90L6	27,0	
1,9	483,2	4974,9	1,8	P E 170 483,23	T 90L6	21,0	
1,9	483,9	4977,4	0,8	P E 132 483,92	T 90L6	12,0	
1,9	756,8	5001,8	2,5	P E 190 756,78	T 90S4	27,0	
1,9	756,8	5002,5	1,8	P E 170 756,78	T 90S4	21,0	
1,9	743,0	5030,5	1,2	P E 150 743,02	T 80D4	16,0	
1,9	742,8	5028,6	0,8	P E 132 742,75	T 80D4	12,0	
1,9	766,5	5057,5	1,2	P E 150 766,52	T 90S4	16,0	
1,9	756,8	5109,6	2,4	P E 190 756,78	T 80D4	27,0	
1,9	756,8	5111,0	1,8	P E 170 756,78	T 80D4	21,0	
1,8	1546,4	5138,1	2,2	P E 190 1546,36	T 80B2	27,0	
1,8	1546,4	5138,4	1,6	P E 170 1546,36	T 80B2	21,0	
1,8	766,5	5168,4	1,2	P E 150 766,52	T 80D4	16,0	
1,8	501,5	5168,4	1,2	P E 150 501,52	T 90L6	16,0	
1,8	1578,8	5224,3	1,0	P E 150 1578,76	T 80B2	16,0	
1,8	520,0	5342,7	1,7	P E 170 520,04	T 90L6	21,0	
1,8	811,3	5371,7	1,7	P E 170 811,25	T 90S4	21,0	
1,8	526,2	5402,8	2,3	P E 190 526,24	T 90L6	27,0	



P ₁ Input Power kW	n ₂ Output speed min ⁻¹	IR ratio -	T2 Ouput torque Nm	FS' Service Factor -	 GEAR	 EU	P _{tn} Thermal capacity kW
1,1	1,8	524,8	5405,4	0,7	P E 132 524,76	T 90L6	12,0
	1,8	817,4	5405,4	0,7	P E 132 817,42	T 90S4	12,0
	1,7	824,1	5432,6	2,3	P E 190 824,12	T 90S4	27,0
	1,7	811,3	5463,6	1,6	P E 170 811,25	T 80D4	21,0
	1,7	831,2	5495,4	1,1	P E 150 831,21	T 90S4	16,0
	1,7	817,4	5527,6	0,7	P E 132 817,42	T 80D4	12,0
	1,7	824,1	5562,3	2,2	P E 190 824,12	T 80D4	27,0
	1,7	543,9	5590,9	0,7	P E 132 543,89	T 90L6	12,0
	1,7	549,0	5626,6	1,1	P E 150 548,95	T 90L6	16,0
	1,7	831,2	5626,6	1,1	P E 150 831,21	T 80D4	16,0
	1,7	559,2	5729,2	1,6	P E 170 559,19	T 90L6	21,0
	1,6	870,6	5764,2	1,0	P E 150 870,64	T 90S4	16,0
	1,6	879,8	5799,2	2,2	P E 190 879,75	T 90S4	27,0
	1,6	879,8	5799,6	1,6	P E 170 879,75	T 90S4	21,0
	1,6	870,6	5871,9	1,0	P E 150 870,64	T 80D4	16,0
	1,6	575,9	5908,9	2,1	P E 190 575,86	T 90L6	27,0
	1,6	879,8	5947,2	2,1	P E 190 879,75	T 80D4	27,0
	1,6	879,8	5945,9	1,5	P E 170 879,75	T 80D4	21,0
	1,6	595,3	6099,8	1,0	P E 150 595,28	T 90L6	16,0
	1,5	606,4	6218,9	2,0	P E 190 606,41	T 90L6	27,0
	1,5	606,4	6218,6	1,4	P E 170 606,41	T 90L6	21,0
	1,5	948,1	6261,9	1,0	P E 150 948,12	T 90S4	16,0
	1,5	958,0	6345,2	2,0	P E 190 958,04	T 90S4	27,0
	1,5	948,1	6389,2	0,9	P E 150 948,12	T 80D4	16,0
	1,5	958,0	6476,7	1,9	P E 190 958,04	T 80D4	27,0
	1,5	981,4	6474,8	1,4	P E 170 981,35	T 90S4	21,0
	1,4	981,4	6613,2	1,4	P E 170 981,35	T 80D4	21,0
	1,4	643,2	6613,2	0,9	P E 150 643,23	T 90L6	16,0
	1,4	649,0	6657,7	1,4	P E 170 649	T 90L6	21,0
	1,4	660,4	6800,2	1,8	P E 190 660,37	T 90L6	27,0
	1,4	1037,5	6853,6	0,9	P E 150 1037,52	T 90S4	16,0
	1,4	1037,5	7006,4	0,9	P E 150 1037,52	T 80D4	16,0
	1,3	1064,2	7054,9	1,8	P E 190 1064,22	T 90S4	27,0
	1,3	1064,2	7056,3	1,3	P E 170 1064,22	T 90S4	21,0
	1,3	1064,2	7161,5	1,7	P E 190 1064,22	T 80D4	27,0
	1,3	697,9	7163,5	1,3	P E 170 697,85	T 90L6	21,0
	1,3	1064,2	7163,5	1,3	P E 170 1064,22	T 80D4	21,0
	1,3	697,5	7166,1	0,8	P E 150 697,51	T 90L6	16,0
	1,3	704,9	7217,8	1,7	P E 190 704,94	T 90L6	27,0
	1,2	743,0	7621,2	0,8	P E 150 743,02	T 90L6	16,0
	1,2	1158,9	7685,9	1,6	P E 190 1158,92	T 90S4	27,0
	1,2	1158,9	7686,3	1,2	P E 170 1158,92	T 90S4	21,0
	1,2	756,8	7750,8	1,6	P E 190 756,78	T 90L6	27,0
	1,2	756,8	7752,5	1,2	P E 170 756,78	T 90L6	21,0
	1,2	1158,9	7812,5	1,6	P E 190 1158,92	T 80D4	27,0
	1,2	1158,9	7813,7	1,2	P E 170 1158,92	T 80D4	21,0
	1,2	1183,2	7810,7	0,8	P E 150 1183,21	T 90S4	16,0
	1,2	766,5	7875,9	0,8	P E 150 766,52	T 90L6	16,0
	1,2	1183,2	8009,7	0,7	P E 150 1183,21	T 80D4	16,0
	1,1	1268,2	8368,8	1,5	P E 190 1268,2	T 90S4	27,0
	1,1	1268,2	8368,6	1,1	P E 170 1268,2	T 90S4	21,0
	1,1	811,3	8368,6	1,1	P E 170 811,25	T 90L6	21,0
	1,1	824,1	8440,8	1,5	P E 190 824,12	T 90L6	27,0
	1,1	831,2	8516,1	0,7	P E 150 831,21	T 90L6	16,0
	1,1	1268,2	8593,8	1,5	P E 190 1268,2	T 80D4	27,0
	1,1	1268,2	8593,8	1,0	P E 170 1268,2	T 80D4	21,0
	1,1	879,8	9004,6	1,4	P E 190 879,75	T 90L6	27,0
	1,1	879,8	9008,2	1,0	P E 170 879,75	T 90L6	21,0
	1,0	1395,7	9271,7	1,3	P E 190 1395,69	T 90S4	27,0
	1,0	1395,7	9269,7	1,0	P E 170 1395,69	T 90S4	21,0
1,0	1395,7	9456,7	1,3	P E 190 1395,69	T 80D4	27,0	
1,0	1395,7	9455,6	1,0	P E 170 1395,69	T 80D4	21,0	
1,0	958,0	9849,6	1,3	P E 190 958,04	T 90L6	27,0	
0,94	981,4	10061,0	0,9	P E 170 981,35	T 90L6	21,0	
0,92	1546,4	10276,5	1,2	P E 190 1546,36	T 90S4	27,0	
0,92	1546,4	10280,4	0,9	P E 170 1546,36	T 90S4	21,0	
0,91	1546,4	10393,0	1,2	P E 190 1546,36	T 80D4	27,0	
0,91	1546,4	10388,2	0,9	P E 170 1546,36	T 80D4	21,0	
0,86	1064,2	10991,2	1,1	P E 190 1064,22	T 90L6	27,0	
0,86	1064,2	10987,8	0,8	P E 170 1064,22	T 90L6	21,0	
0,79	1158,9	11966,9	1,0	P E 190 1158,92	T 90L6	27,0	
0,79	1158,9	11971,0	0,8	P E 170 1158,92	T 90L6	21,0	
0,73	1268,2	12947,3	1,0	P E 190 1268,2	T 90L6	27,0	
0,66	1395,7	14322,9	0,9	P E 190 1395,69	T 90L6	27,0	
0,59	1546,4	16025,6	0,8	P E 190 1546,36	T 90L6	27,0	



HIGH TECH *line* Motion



P ₁ Input Power kW	n ₂ Output speed min ⁻¹	IR ratio -	T ₂ Output torque Nm	FS' Service Factor -	 GEAR	 EU	P _{tn} Thermal capacity kW
1,5	476.7	3.0	28.6	2.8	P - 63 2 3	T 90L4	5.6
	387.8	7.4	35.1	4.0	P - 63 2 7.4	T 80C2	5.6
	366.7	3.9	37.1	3.0	P - 63 2 3.9	T 90L4	5.6
	361.5	2.6	37.6	3.5	P - 71 2 2.6	T 90LB6	7.5
	361.5	2.6	37.6	3.5	P - 71 2 2.6	T 100A6	7.5
	360.0	8.0	37.8	4.0	P - 63 2 8	T 90S2	5.6
	358.8	8.0	37.9	4.0	P - 63 2 8	T 80C2	5.6
	332.6	4.3	40.9	3.2	P - 63 2 4.3	T 90L4	5.6
	320.0	9.0	42.5	3.9	P - 63 2 9	T 90S2	5.6
	318.9	9.0	42.7	3.9	P - 63 2 9	T 80C2	5.6
	313.3	3.0	43.4	2.0	P - 63 2 3	T 90LB6	5.6
	313.3	3.0	43.4	2.0	P - 63 2 3	T 100A6	5.6
	293.8	3.2	46.3	3.2	P - 71 2 3.2	T 100A6	7.5
	293.8	3.2	46.3	3.2	P - 71 2 3.2	T 90LB6	7.5
	286.0	5.0	47.6	2.9	P - 63 2 5	T 90L4	5.6
	276.9	10.4	49.1	3.7	P - 63 2 10.4	T 90S2	5.6
	276.0	10.4	49.3	3.7	P - 63 2 10.4	T 80C2	5.6
	255.4	5.6	53.3	3.0	P - 63 2 5.6	T 90L4	5.6
	247.4	3.8	55.0	3.3	P - 71 2 3.8	T 100A6	7.5
	247.4	3.8	55.0	3.3	P - 71 2 3.8	T 90LB6	7.5
	244.1	11.8	55.8	3.4	P - 63 2 11.8	T 90S2	5.6
	243.2	11.8	55.9	3.4	P - 63 2 11.8	T 80C2	5.6
	241.0	3.9	56.5	2.0	P - 63 2 3.9	T 100A6	5.6
	241.0	3.9	56.5	2.0	P - 63 2 3.9	T 90LB6	5.6
	230.7	6.2	59.0	2.7	P - 63 2 6.2	T 90L4	5.6
	220.0	6.5	61.9	2.7	P - 63 2 6.5	T 90L4	5.6
	218.6	4.3	62.3	3.4	P - 71 2 4.3	T 90LB6	7.5
	218.6	4.3	62.3	3.4	P - 71 2 4.3	T 100A6	7.5
	218.6	4.3	62.3	2.2	P - 63 2 4.3	T 90LB6	5.6
	218.6	4.3	62.3	2.2	P - 63 2 4.3	T 100A6	5.6
	213.3	13.5	63.8	3.2	P - 63 2 13.5	T 90S2	5.6
	212.6	13.5	64.0	3.2	P - 63 2 13.5	T 80C2	5.6
	200.0	14.4	68.1	2.8	P - 63 2 14.4	T 90S2	5.6
	199.3	14.4	68.3	2.8	P - 63 2 14.4	T 80C2	5.6
	193.2	7.4	70.4	2.6	P - 63 2 7.4	T 90L4	5.6
	188.0	5.0	72.4	2.1	P - 63 2 5	T 100A6	5.6
	188.0	5.0	72.4	2.1	P - 63 2 5	T 90LB6	5.6
	178.8	8.0	76.1	2.6	P - 63 2 8	T 90L4	5.6
	177.4	5.3	76.7	3.0	P - 71 2 5.3	T 90LB6	7.5
	177.4	5.3	76.7	3.0	P - 71 2 5.3	T 100A6	7.5
	170.4	16.9	79.9	2.9	P - 63 2 16.9	T 90S2	5.6
	169.8	16.9	80.1	2.9	P - 63 2 16.9	T 80C2	5.6
	167.9	5.6	81.1	2.1	P - 63 2 5.6	T 90LB6	5.6
	167.9	5.6	81.1	2.1	P - 63 2 5.6	T 100A6	5.6
	166.9	17.2	79.8	1.1	P L 25 3 17.2	T 80C2	4.0
	164.4	8.7	82.8	3.7	P - 71 2 8.7	T 90L4	7.5
	158.9	9.0	85.6	2.5	P - 63 2 9	T 90L4	5.6
	151.6	6.2	89.8	3.3	P - 71 2 6.2	T 90LB6	7.5
	151.6	6.2	89.8	3.3	P - 71 2 6.2	T 100A6	7.5
	151.6	6.2	89.8	1.9	P - 63 2 6.2	T 90LB6	5.6
151.6	6.2	89.8	1.9	P - 63 2 6.2	T 100A6	5.6	
145.5	19.8	93.6	2.5	P - 63 2 19.8	T 90S2	5.6	
145.0	19.8	93.9	2.5	P - 63 2 19.8	T 80C2	5.6	
144.6	6.5	94.1	2.0	P - 63 2 6.5	T 100A6	5.6	
144.6	6.5	94.1	2.0	P - 63 2 6.5	T 90LB6	5.6	
140.7	20.4	94.7	1.0	P L 25 3 20.4	T 80C2	4.0	
140.5	20.5	96.9	2.2	P - 63 2 20.5	T 90S2	5.6	
140.0	20.5	97.2	2.2	P - 63 2 20.5	T 80C2	5.6	
137.5	10.4	99.0	2.2	P - 63 2 10.4	T 90L4	5.6	
132.4	7.1	102.8	3.2	P - 71 2 7.1	T 100A6	7.5	
132.4	7.1	102.8	3.2	P - 71 2 7.1	T 90LB6	7.5	
127.0	7.4	107.1	1.8	P - 63 2 7.4	T 100A6	5.6	
127.0	7.4	107.1	1.8	P - 63 2 7.4	T 90LB6	5.6	
123.3	11.6	110.4	3.9	P - 71 2 11.6	T 90L4	7.5	
121.2	11.8	112.3	2.1	P - 63 2 11.8	T 90L4	5.6	
120.6	23.8	110.5	0.8	P L 25 3 23.8	T 80C2	4.0	
119.5	24.1	113.9	1.8	P - 63 2 24.1	T 90S2	5.6	
119.1	24.1	114.3	1.8	P - 63 2 24.1	T 80C2	5.6	
117.5	8.0	115.8	1.9	P - 63 2 8	T 100A6	5.6	
117.5	8.0	115.8	1.9	P - 63 2 8	T 90LB6	5.6	
116.3	12.3	117.1	2.6	P - 71 2 12.3	T 90L4	7.5	
113.8	25.3	119.5	3.0	P - 71 2 25.3	T 90S2	7.5	
113.4	25.3	120.0	3.0	P - 71 2 25.3	T 80C2	7.5	
110.3	26.1	123.3	1.8	P - 63 2 26.1	T 90S2	5.6	
110.0	26.1	123.8	1.8	P - 63 2 26.1	T 80C2	5.6	
108.1	8.7	126.0	2.8	P - 71 2 8.7	T 90LB6	7.5	
108.1	8.7	126.0	2.8	P - 71 2 8.7	T 100A6	7.5	
105.9	13.5	128.5	1.9	P - 63 2 13.5	T 90L4	5.6	
104.7	27.4	127.2	0.7	P L 25 3 27.4	T 80C2	4.0	
104.4	9.0	130.3	1.8	P - 63 2 9	T 100A6	5.6	
104.4	9.0	130.3	1.8	P - 63 2 9	T 90LB6	5.6	
102.1	14.0	133.2	3.4	P - 71 2 14	T 90L4	7.5	
100.4	28.7	132.8	1.7	P L 45 3 28.7	T 90S2	6.5	
100.0	28.8	136.1	3.0	P - 71 2 28.8	T 90S2	7.5	
100.0	28.7	133.2	1.7	P L 45 3 28.7	T 80C2	6.5	
99.7	28.8	136.6	3.0	P - 71 2 28.8	T 80C2	7.5	
99.3	14.4	137.0	1.6	P - 63 2 14.4	T 90L4	5.6	
95.5	30.2	142.5	3.8	P - 80 2 30.15	T 90S2	7.5	
95.2	30.2	143.0	3.8	P - 80 2 30.15	T 80C2	7.5	
92.2	10.2	147.7	3.2	P - 71 2 10.2	T 90LB6	7.5	
92.2	10.2	147.7	3.2	P - 71 2 10.2	T 100A6	7.5	
90.9	31.7	149.8	1.5	P - 63 2 31.7	T 90S2	5.6	
90.5	31.7	150.3	1.5	P - 63 2 31.7	T 80C2	5.6	
90.4	10.4	150.6	1.6	P - 63 2 10.4	T 90LB6	5.6	
90.4	10.4	150.6	1.6	P - 63 2 10.4	T 100A6	5.6	





P ₁ Input Power kW	n ₂ Output speed min ⁻¹	IR ratio -	T2 Ouput torque Nm	FS' Service Factor -	 GEAR	 EU	P _{tn} Thermal capacity kW
1,5	90,0	32,0	148,0	1,5	P L 45 3 32	T 90S2	6,5
	89,7	32,0	148,5	1,5	P L 45 3 32	T 80C2	6,5
	89,2	32,3	149,4	3,6	P L 65 3 32,3	T 90S2	8,0
	88,9	32,3	149,9	3,6	P L 65 3 32,3	T 80C2	8,0
	88,8	16,1	153,2	3,0	P - 71 2 16,1	T 90L4	7,5
	87,0	33,1	156,4	2,4	P - 71 2 33,1	T 90S2	7,5
	86,7	33,1	157,0	2,4	P - 71 2 33,1	T 80C2	7,5
	84,6	16,9	160,8	1,6	P - 63 2 16,9	T 90L4	5,6
	82,8	34,8	164,4	3,3	P - 80 2 34,79	T 90S2	7,5
	82,7	17,3	164,6	2,8	P - 71 2 17,3	T 90L4	7,5
	82,5	34,8	165,0	3,3	P - 80 2 34,79	T 80C2	7,5
	81,0	11,6	167,9	2,9	P - 71 2 11,6	T 100A6	7,5
	81,0	11,6	167,9	2,9	P - 71 2 11,6	T 90LB6	7,5
	79,7	11,8	170,8	1,5	P - 63 2 11,8	T 100A6	5,6
	79,7	11,8	170,8	1,5	P - 63 2 11,8	T 90LB6	5,6
	78,7	36,6	172,9	1,3	P - 63 2 36,6	T 90S2	5,6
	78,4	36,6	173,5	1,3	P - 63 2 36,6	T 80C2	5,6
	77,2	37,3	176,3	2,1	P - 71 2 37,3	T 90S2	7,5
	76,9	37,3	176,9	2,1	P - 71 2 37,3	T 80C2	7,5
	76,6	37,6	173,9	3,1	P L 65 3 37,6	T 90S2	8,0
	76,5	18,7	178,0	2,6	P - 71 2 18,7	T 90L4	7,5
	76,4	12,3	178,1	1,7	P - 71 2 12,3	T 100A6	7,5
	76,4	12,3	178,1	1,7	P - 71 2 12,3	T 90LB6	7,5
	76,3	37,6	174,5	3,1	P L 65 3 37,6	T 80C2	8,0
	75,9	38,0	179,3	3,0	P - 80 2 37,95	T 90S2	7,5
	75,6	38,0	179,9	3,0	P - 80 2 37,95	T 80C2	7,5
	74,4	38,7	179,0	3,9	P - 90 3 38,7	T 90S2	7,5
	74,2	38,7	179,6	3,9	P - 90 3 38,7	T 80C2	7,5
	73,4	19,5	185,5	3,2	P - 80 2 19,49	T 90L4	7,5
	72,9	39,5	182,7	2,3	P - 71 3 39,5	T 90S2	5,4
	72,7	39,6	187,3	2,4	P - 80 2 39,63	T 90S2	7,5
	72,7	39,5	183,4	2,3	P - 71 3 39,5	T 80C2	5,4
	72,4	39,6	187,9	2,4	P - 80 2 39,63	T 80C2	7,5
	72,2	19,8	188,4	1,3	P - 63 2 19,8	T 90L4	5,6
	71,3	40,4	190,9	3,1	P - 90 2 40,4	T 90S2	10,5
	71,1	40,5	191,4	1,1	P - 63 2 40,5	T 90S2	5,6
	71,0	40,4	191,6	3,1	P - 90 2 40,4	T 80C2	10,5
	70,9	40,5	192,1	1,1	P - 63 2 40,5	T 80C2	5,6
	70,8	20,2	192,3	2,4	P - 71 2 20,2	T 90L4	7,5
	70,4	40,9	189,2	1,2	P L 45 3 40,9	T 90S2	6,5
	70,2	40,9	189,8	1,2	P L 45 3 40,9	T 80C2	6,5
	69,8	20,5	195,0	1,2	P - 63 2 20,5	T 90L4	5,6
	69,7	20,5	195,4	3,1	P - 80 2 20,53	T 90L4	7,5
	69,6	13,5	195,5	1,3	P - 63 2 13,5	T 90LB6	5,6
	69,6	13,5	195,5	1,3	P - 63 2 13,5	T 100A6	5,6
	68,2	42,3	199,6	2,3	P - 80 2 42,25	T 90S2	7,5
	67,9	42,3	200,4	2,2	P - 80 2 42,25	T 80C2	7,5
	67,1	14,0	202,7	2,4	P - 71 2 14	T 100A6	7,5
	67,1	14,0	202,7	2,4	P - 71 2 14	T 90LB6	7,5
	66,6	21,5	204,2	2,9	P - 80 2 21,46	T 90L4	7,5
66,1	43,4	201,5	1,1	P - 63 3 43,4	T 80C2	4,0	
65,9	43,7	202,2	3,7	P - 90 3 43,7	T 90S2	7,5	
65,7	43,7	202,8	3,7	P - 90 3 43,7	T 80C2	7,5	
65,3	44,1	208,4	3,4	P - 90 2 44,1	T 90S2	10,5	
65,3	21,9	208,4	2,2	P - 71 2 21,9	T 90L4	7,5	
65,3	14,4	208,5	1,1	P - 63 2 14,4	T 90LB6	5,6	
65,3	14,4	208,5	1,1	P - 63 2 14,4	T 100A6	5,6	
65,1	44,1	209,1	3,3	P - 90 2 44,1	T 80C2	10,5	
64,4	44,7	211,2	1,9	P - 71 2 44,7	T 90S2	7,5	
64,2	44,7	211,9	1,9	P - 71 2 44,7	T 80C2	7,5	
63,8	14,7	213,4	3,8	P - 80 2 14,74	T 90LB6	7,5	
63,8	14,7	213,4	3,8	P - 80 2 14,74	T 100A6	7,5	
63,7	45,2	213,6	1,0	P - 63 2 45,2	T 90S2	5,6	
63,5	45,2	214,3	1,0	P - 63 2 45,2	T 80C2	5,6	
63,0	45,7	211,3	1,1	P L 45 3 45,7	T 90S2	6,5	
62,8	45,7	212,1	1,1	P L 45 3 45,7	T 80C2	6,5	
62,6	46,0	212,8	2,5	P L 65 3 46	T 90S2	8,0	
62,4	46,0	213,6	2,5	P L 65 3 46	T 80C2	8,0	
61,1	47,0	218,2	0,9	P - 63 3 47	T 80C2	4,0	
60,1	23,8	221,7	3,6	P L 85 3 23,8	T 90L4	11,0	
59,9	23,9	227,3	2,6	P - 80 2 23,89	T 90L4	7,5	
59,8	48,1	227,4	2,0	P - 80 2 48,14	T 90S2	7,5	
59,6	48,1	228,3	2,0	P - 80 2 48,14	T 80C2	7,5	
59,3	24,1	229,4	1,0	P - 63 2 24,1	T 90L4	5,6	
59,0	48,8	225,7	3,3	P - 90 3 48,8	T 90S2	7,5	
58,8	48,8	226,5	3,3	P - 90 3 48,8	T 80C2	7,5	
58,8	16,0	231,6	4,0	P - 90 2 16	T 90LB6	10,5	
58,8	16,0	231,6	4,0	P - 90 2 16	T 100A6	10,5	
58,4	16,1	233,1	2,1	P - 71 2 16,1	T 90LB6	7,5	
58,4	16,1	233,1	2,1	P - 71 2 16,1	T 100A6	7,5	
57,2	25,0	237,9	3,8	P - 90 2 25	T 90L4	10,5	
57,0	50,5	238,7	1,7	P - 71 2 50,5	T 90S2	7,5	
56,8	50,5	239,4	1,7	P - 71 2 50,5	T 80C2	7,5	
56,6	50,9	240,3	1,3	P - 80 2 50,87	T 90S2	7,5	
56,6	50,9	240,5	2,9	P - 90 2 50,9	T 90S2	10,5	
56,5	25,3	240,8	1,7	P - 71 2 25,3	T 90L4	7,5	
56,4	50,9	241,2	1,3	P - 80 2 50,87	T 80C2	7,5	
56,4	50,9	241,3	2,9	P - 90 2 50,9	T 80C2	10,5	
55,6	16,9	244,7	1,0	P - 63 2 16,9	T 90LB6	5,6	
55,6	16,9	244,7	1,0	P - 63 2 16,9	T 100A6	5,6	
55,1	17,1	247,1	3,7	P - 80 2 17,07	T 90LB6	7,5	
55,1	17,1	247,1	3,7	P - 80 2 17,07	T 100A6	7,5	
55,0	17,1	247,6	3,7	P - 90 2 17,1	T 100A6	10,5	
55,0	17,1	247,6	3,7	P - 90 2 17,1	T 90LB6	10,5	
54,8	26,1	248,4	1,0	P - 63 2 26,1	T 90L4	5,6	



HIGH TECH *line* Motion

P ₁ Input Power kW	n ₂ Output speed min ⁻¹	IR ratio -	T ₂ Output torque Nm	FS' Service Factor -	 GEAR	 EU	P _{tn} Thermal capacity kW
1,5	54.6	52.8	244.2	0.9	P L 45 3 52.8	T 90S2	6.5
	54.4	26.3	250.3	2.4	P - 80 2 26.3	T 90L4	7.5
	54.4	52.8	245.1	0.9	P L 45 3 52.8	T 80C2	6.5
	54.3	17.3	250.4	1.9	P - 71 2 17.3	T 100A6	7.5
	54.3	17.3	250.4	1.9	P - 71 2 17.3	T 90LB6	7.5
	54.2	26.4	245.9	2.4	P L 65 3 26.4	T 90L4	8.0
	53.9	53.3	247.4	0.9	P - 63 3 53.3	T 80C2	4.0
	53.8	53.5	247.4	1.7	P - 71 3 53.5	T 90S2	5.4
	53.6	53.5	248.3	1.7	P - 71 3 53.5	T 80C2	5.4
	53.0	54.3	251.2	2.2	P L 65 3 54.3	T 90S2	8.0
	52.9	54.3	252.1	2.1	P L 65 3 54.3	T 80C2	8.0
	52.2	55.2	255.4	2.8	P - 90 3 55.2	T 90S2	7.5
	52.0	27.5	256.2	3.7	P L 85 3 27.5	T 90L4	11.0
	52.0	55.2	256.2	2.8	P - 90 3 55.2	T 80C2	7.5
	51.9	55.5	262.2	1.2	P - 80 2 55.49	T 90S2	7.5
	51.7	55.5	263.1	1.2	P - 80 2 55.49	T 80C2	7.5
	51.6	27.7	263.6	3.5	P - 90 2 27.7	T 90L4	10.5
	51.0	18.5	267.1	3.7	P - 80 2 18.45	T 90LB6	7.5
	51.0	18.5	267.1	3.7	P - 80 2 18.45	T 100A6	7.5
	50.4	28.4	270.1	2.2	P - 80 2 28.38	T 90L4	7.5
	50.3	18.7	270.7	1.8	P - 71 2 18.7	T 90LB6	7.5
	50.3	18.7	270.7	1.8	P - 71 2 18.7	T 100A6	7.5
	50.2	57.2	265.6	0.9	P - 63 3 57.2	T 80C2	4.0
	49.8	28.7	267.3	0.9	P L 45 3 28.7	T 90L4	6.5
	49.7	28.8	274.1	1.7	P - 71 2 28.8	T 90L4	7.5
	48.2	19.5	282.2	2.3	P - 80 2 19.49	T 90LB6	7.5
	48.2	19.5	282.2	2.3	P - 80 2 19.49	T 100A6	7.5
	47.9	60.1	278.0	0.8	P L 45 3 60.1	T 90S2	6.5
	47.8	60.1	278.9	0.8	P L 45 3 60.1	T 80C2	6.5
	47.5	19.8	286.7	3.2	P - 90 2 19.8	T 90LB6	10.5
	47.5	19.8	286.7	3.2	P - 90 2 19.8	T 100A6	10.5
	47.5	19.8	286.7	0.9	P - 63 2 19.8	T 90LB6	5.6
	47.5	19.8	286.7	0.9	P - 63 2 19.8	T 100A6	5.6
	47.4	30.2	286.9	2.1	P - 80 2 30.15	T 90L4	7.5
	47.4	60.8	281.2	1.5	P - 71 3 60.8	T 90S2	5.4
	47.2	60.8	282.3	1.5	P - 71 3 60.8	T 80C2	5.4
	46.9	30.5	290.2	3.1	P - 90 2 30.5	T 90L4	10.5
	46.6	61.8	292.0	1.1	P - 80 2 61.79	T 90S2	7.5
	46.5	20.2	292.4	1.6	P - 71 2 20.2	T 100A6	7.5
	46.5	20.2	292.4	1.6	P - 71 2 20.2	T 90LB6	7.5
	46.5	61.8	292.9	1.1	P - 80 2 61.79	T 80C2	7.5
	46.4	61.8	286.8	0.8	P - 63 3 61.8	T 80C2	4.0
	46.2	62.3	288.2	2.6	P - 90 3 62.3	T 90S2	7.5
	46.1	62.3	289.2	2.6	P - 90 3 62.3	T 80C2	7.5
	45.9	20.5	296.8	0.8	P - 63 2 20.5	T 90LB6	5.6
	45.9	20.5	296.8	0.8	P - 63 2 20.5	T 100A6	5.6
	45.8	20.5	297.2	2.2	P - 80 2 20.53	T 100A6	7.5
	45.8	20.5	297.2	2.2	P - 80 2 20.53	T 90LB6	7.5
	45.1	31.7	301.8	0.8	P - 63 2 31.7	T 90L4	5.6
	45.1	63.9	295.6	3.7	P L 85 3 63.9	T 90S2	11.0
	44.9	63.9	296.6	3.6	P L 85 3 63.9	T 80C2	11.0
	44.9	64.2	297.0	1.4	P - 71 3 64.2	T 90S2	5.4
	44.7	64.4	297.9	1.8	P L 65 3 64.4	T 90S2	8.0
	44.7	64.2	298.0	1.4	P - 71 3 64.2	T 80C2	5.4
44.7	32.0	298.1	0.8	P L 45 3 32	T 90L4	6.5	
44.6	64.4	298.9	1.8	P L 65 3 64.4	T 80C2	8.0	
44.3	32.3	300.9	2.0	P L 65 3 32.3	T 90L4	8.0	
43.9	21.4	309.8	3.0	P - 90 2 21.4	T 100A6	10.5	
43.9	21.4	309.8	3.0	P - 90 2 21.4	T 90LB6	10.5	
43.8	21.5	310.7	2.1	P - 80 2 21.46	T 100A6	7.5	
43.8	21.5	310.7	2.1	P - 80 2 21.46	T 90LB6	7.5	
43.2	33.1	315.1	1.3	P - 71 2 33.1	T 90L4	7.5	
42.9	21.9	317.0	1.5	P - 71 2 21.9	T 90LB6	7.5	
42.9	21.9	317.0	1.5	P - 71 2 21.9	T 100A6	7.5	
41.5	34.5	321.4	3.4	P L 85 3 34.5	T 90L4	11.0	
41.2	69.6	323.2	0.7	P - 63 3 69.6	T 80C2	4.0	
41.1	34.8	331.1	1.8	P - 80 2 34.79	T 90L4	7.5	
40.9	35.0	333.1	2.6	P - 90 2 35	T 90L4	10.5	
40.8	70.6	326.6	2.4	P - 90 3 70.6	T 90S2	7.5	
40.7	70.6	327.7	2.4	P - 90 3 70.6	T 80C2	7.5	
39.5	23.8	337.3	2.5	P L 85 3 23.8	T 90LB6	11.0	
39.5	23.8	337.3	2.5	P L 85 3 23.8	T 100A6	11.0	
39.4	23.9	345.8	1.9	P - 80 2 23.89	T 90LB6	7.5	
39.4	23.9	345.8	1.9	P - 80 2 23.89	T 100A6	7.5	
39.1	36.6	348.2	0.7	P - 63 2 36.6	T 90L4	5.6	
39.0	24.1	349.0	0.7	P - 63 2 24.1	T 90LB6	5.6	
39.0	24.1	349.0	0.7	P - 63 2 24.1	T 100A6	5.6	
38.9	74.0	342.3	3.2	P L 85 3 74	T 90S2	11.0	
38.8	74.0	343.5	3.1	P L 85 3 74	T 80C2	11.0	
38.7	74.4	344.1	1.6	P L 65 3 74.4	T 90S2	8.0	
38.6	74.4	345.3	1.6	P L 65 3 74.4	T 80C2	8.0	
38.3	37.3	354.9	1.2	P - 71 2 37.3	T 90L4	7.5	
38.2	75.4	348.8	1.2	P - 71 3 75.4	T 90S2	5.4	
38.1	75.4	350.0	1.2	P - 71 3 75.4	T 80C2	5.4	
38.0	37.6	350.3	1.7	P L 65 3 37.6	T 90L4	8.0	
37.8	76.3	352.9	2.3	P - 90 3 76.3	T 90S2	7.5	
37.7	38.0	361.2	1.7	P - 80 2 37.95	T 90L4	7.5	
37.6	76.3	354.2	2.3	P - 90 3 76.3	T 80C2	7.5	
37.6	25.0	361.9	2.5	P - 90 2 25	T 100A6	10.5	
37.6	25.0	361.9	2.5	P - 90 2 25	T 90LB6	10.5	
37.2	25.3	366.3	1.1	P - 71 2 25.3	T 90LB6	7.5	
37.2	25.3	366.3	1.1	P - 71 2 25.3	T 100A6	7.5	
37.0	38.7	360.6	3.3	P L 85 3 38.7	T 90L4	11.0	
37.0	38.7	360.5	2.5	P - 90 3 38.7	T 90L4	7.5	
36.2	39.5	368.0	1.3	P - 71 3 39.5	T 90L4	5.4	



P ₁ Input Power kW	n ₂ Output speed min ⁻¹	IR ratio -	T2 Output torque Nm	FS' Service Factor -	 GEAR	 EU	P _{tn} Thermal capacity kW
	36,1	39,6	377,3	1,3	P - 80 2 39.63	T 90L4	7,5
	35,7	26,3	380,7	1,7	P - 80 2 26.3	T 100A6	7,5
	35,7	26,3	380,7	1,7	P - 80 2 26.3	T 90LB6	7,5
	35,6	26,4	374,1	1,7	P L 65 3 26.4	T 100A6	8,0
	35,6	26,4	374,1	1,7	P L 65 3 26.4	T 90LB6	8,0
	35,4	40,4	384,5	1,9	P - 90 2 40.4	T 90L4	10,5
	34,8	82,8	383,0	2,1	P - 90 3 82.8	T 90S2	7,5
	34,7	82,8	384,4	2,1	P - 90 3 82.8	T 80C2	7,5
	34,2	27,5	389,8	2,6	P L 85 3 27.5	T 90LB6	11,0
	34,2	27,5	389,8	2,6	P L 85 3 27.5	T 100A6	11,0
	33,9	27,7	400,9	2,3	P - 90 2 27.7	T 90LB6	10,5
	33,9	27,7	400,9	2,3	P - 90 2 27.7	T 100A6	10,5
	33,9	84,9	392,7	2,8	P L 85 3 84.9	T 90S2	11,0
	33,9	42,3	401,9	1,2	P - 80 2 42.25	T 90L4	7,5
	33,8	84,9	394,2	2,7	P L 85 3 84.9	T 80C2	11,0
	33,7	85,4	395,1	1,4	P L 65 3 85.4	T 90S2	8,0
	33,6	85,4	396,3	1,4	P L 65 3 85.4	T 80C2	8,0
	33,2	86,8	401,5	1,0	P - 71 3 86.8	T 90S2	5,4
	33,1	28,4	410,9	1,6	P - 80 2 28.38	T 90LB6	7,5
	33,1	28,4	410,9	1,6	P - 80 2 28.38	T 100A6	7,5
	33,1	86,8	403,1	1,0	P - 71 3 86.8	T 80C2	5,4
	33,0	87,3	403,8	3,7	P - 112 3 87.3	T 90S2	11,8
	32,9	87,3	405,2	3,7	P - 112 3 87.3	T 80C2	11,8
	32,7	43,7	407,1	2,9	P L 85 3 43.7	T 90L4	11,0
	32,7	43,7	407,2	2,2	P - 90 3 43.7	T 90L4	7,5
	32,6	28,8	416,9	1,1	P - 71 2 28.8	T 90LB6	7,5
	32,6	28,8	416,9	1,1	P - 71 2 28.8	T 100A6	7,5
	32,4	44,1	419,6	2,0	P - 90 2 44.1	T 90L4	10,5
	32,0	44,7	425,4	1,1	P - 71 2 44.7	T 90L4	7,5
	31,5	91,5	423,1	1,0	P - 71 3 91.5	T 90S2	5,4
	31,4	91,5	424,8	1,0	P - 71 3 91.5	T 80C2	5,4
	31,2	30,2	436,5	1,5	P - 80 2 30.15	T 100A6	7,5
	31,2	30,2	436,5	1,5	P - 80 2 30.15	T 90LB6	7,5
	31,1	46,0	428,6	1,4	P L 65 3 46	T 90L4	8,0
	30,9	93,3	431,5	1,9	P - 90 3 93.3	T 90S2	7,5
	30,8	30,5	441,6	2,1	P - 90 2 30.5	T 100A6	10,5
	30,8	30,5	441,6	2,1	P - 90 2 30.5	T 90LB6	10,5
	30,8	93,6	432,9	3,5	P - 112 3 93.6	T 90S2	11,8
	30,8	93,3	433,1	1,8	P - 90 3 93.3	T 80C2	7,5
	30,7	93,6	434,5	3,5	P - 112 3 93.6	T 80C2	11,8
	29,7	48,1	458,2	1,1	P - 80 2 48.14	T 90L4	7,5
	29,4	98,0	453,3	2,4	P L 85 3 98	T 90S2	11,0
	29,3	48,8	454,7	2,0	P - 90 3 48.8	T 90L4	7,5
	29,3	98,0	454,8	2,4	P L 85 3 98	T 80C2	11,0
	29,1	32,3	467,6	4,0	P - 112 2 32.3	T 100A6	16,5
	29,1	32,3	457,7	1,4	P L 65 3 32.3	T 100A6	8,0
	29,1	32,3	457,7	1,4	P L 65 3 32.3	T 90LB6	8,0
	29,1	99,0	457,9	1,2	P L 65 3 99	T 90S2	8,0
	29,0	99,3	459,5	0,9	P - 71 3 99.3	T 90S2	5,4
	29,0	99,0	459,4	1,2	P L 65 3 99	T 80C2	8,0
	28,9	99,3	460,9	0,9	P - 71 3 99.3	T 80C2	5,4
	28,6	100,6	465,3	1,7	P - 90 3 100.6	T 90S2	7,5
	28,5	100,6	466,9	1,7	P - 90 3 100.6	T 80C2	7,5
	28,4	33,1	479,3	0,9	P - 71 2 33.1	T 90LB6	7,5
	28,4	33,1	479,3	0,9	P - 71 2 33.1	T 100A6	7,5
	28,3	50,5	480,5	1,0	P - 71 2 50.5	T 90L4	7,5
	28,1	50,9	484,3	0,7	P - 80 2 50.87	T 90L4	7,5
	28,1	50,9	484,4	1,8	P - 90 2 50.9	T 90L4	10,5
	27,9	51,2	477,0	3,6	P - 112 3 51.2	T 90L4	11,8
	27,3	34,5	488,9	2,4	P L 85 3 34.5	T 100A6	11,0
	27,3	34,5	488,9	2,4	P L 85 3 34.5	T 90LB6	11,0
	27,0	34,8	503,6	1,3	P - 80 2 34.79	T 100A6	7,5
	27,0	34,8	503,6	1,3	P - 80 2 34.79	T 90LB6	7,5
	26,9	35,0	506,6	1,8	P - 90 2 35	T 100A6	10,5
	26,9	35,0	506,6	1,8	P - 90 2 35	T 90LB6	10,5
	26,8	107,5	497,2	0,8	P - 71 3 107.5	T 90S2	5,4
	26,7	53,5	498,6	0,9	P - 71 3 53.5	T 90L4	5,4
	26,7	107,5	498,8	0,8	P - 71 3 107.5	T 80C2	5,4
	26,6	108,4	501,4	3,0	P - 112 3 108.4	T 90S2	11,8
	26,5	108,4	503,1	3,0	P - 112 3 108.4	T 80C2	11,8
	26,5	108,9	503,7	1,8	P - 90 3 108.9	T 90S2	7,5
	26,4	108,9	505,6	1,8	P - 90 3 108.9	T 80C2	7,5
	26,3	54,3	505,9	1,2	P L 65 3 54.3	T 90L4	8,0
	25,9	55,2	514,1	1,8	P - 90 3 55.2	T 90L4	7,5
	25,4	56,3	524,5	2,3	P L 85 3 56.3	T 90L4	11,0
	25,4	113,5	525,1	2,1	P L 85 3 113.5	T 90S2	11,0
	25,3	113,5	526,8	2,1	P L 85 3 113.5	T 80C2	11,0
	25,2	37,3	539,9	0,8	P - 71 2 37.3	T 100A6	7,5
	25,2	37,3	539,9	0,8	P - 71 2 37.3	T 90LB6	7,5
	25,0	37,6	532,8	1,2	P L 65 3 37.6	T 100A6	8,0
	25,0	37,6	532,8	1,2	P L 65 3 37.6	T 90LB6	8,0
	24,8	116,0	536,5	3,9	P L 95 3 116	T 90S2	16,0
	24,8	116,2	537,5	1,0	P L 65 3 116.2	T 90S2	8,0
	24,8	38,0	549,3	1,2	P - 80 2 37.95	T 90LB6	7,5
	24,8	38,0	549,3	1,2	P - 80 2 37.95	T 100A6	7,5
	24,7	116,0	538,5	3,9	P L 95 3 116	T 80C2	16,0
	24,7	116,2	539,3	1,0	P L 65 3 116.2	T 80C2	8,0
	24,6	117,2	542,2	2,8	P - 112 3 117.2	T 90S2	11,8
	24,5	117,2	544,0	2,8	P - 112 3 117.2	T 80C2	11,8
	24,4	58,5	545,1	3,2	P - 112 3 58.5	T 90L4	11,8
	24,3	38,7	548,5	2,4	P L 85 3 38.7	T 90LB6	11,0
	24,3	38,7	548,5	2,4	P L 85 3 38.7	T 100A6	11,0
	24,3	38,7	548,6	1,7	P - 90 3 38.7	T 90LB6	7,5
	24,3	38,7	548,6	1,7	P - 90 3 38.7	T 100A6	7,5
	24,2	38,9	563,2	3,3	P - 112 2 38.9	T 100A6	16,5



1,5







1.5 kW

HIGH TECH line Motion



P ₁ Input Power kW	n ₂ Output speed min ⁻¹	IR ratio -	T ₂ Output torque Nm	FS' Service Factor -	 GEAR	 EU	P _{tn} Thermal capacity kW
1,5	23,8	39,5	560,0	0,8	P - 71 3 39.5	T 90LB6	5,4
	23,7	39,6	573,9	0,9	P - 80 2 39.63	T 90LB6	7,5
	23,7	39,6	573,9	0,9	P - 80 2 39.63	T 100A6	7,5
	23,5	60,8	566,5	0,8	P - 71 3 60.8	T 90L4	5,4
	23,3	40,4	584,9	1,3	P - 90 2 40.4	T 100A6	10,5
	23,3	40,4	584,9	1,3	P - 90 2 40.4	T 90LB6	10,5
	23,3	123,8	572,7	0,7	P - 71 3 123.8	T 90S2	5,4
	23,2	40,5	574,0	4,0	P L 95 3 40.5	T 100A6	16,0
	23,2	40,5	574,0	4,0	P L 95 3 40.5	T 90LB6	16,0
	23,2	123,8	574,8	0,7	P - 71 3 123.8	T 80C2	5,4
	23,1	40,7	589,1	3,1	P - 112 2 40.7	T 100A6	16,5
	23,0	125,0	578,1	1,6	P - 90 3 125	T 90S2	7,5
	23,0	125,0	580,4	1,6	P - 90 3 125	T 80C2	7,5
	23,0	62,3	580,6	1,6	P - 90 3 62.3	T 90L4	7,5
	22,8	62,7	584,1	3,0	P - 112 3 62.7	T 90L4	11,8
	22,5	128,3	593,4	2,5	P - 112 3 128.3	T 90S2	11,8
	22,4	63,9	595,2	2,0	P L 85 3 63.9	T 90L4	11,0
	22,4	128,3	595,6	2,5	P - 112 3 128.3	T 80C2	11,8
	22,3	64,2	598,4	0,8	P - 71 3 64.2	T 90L4	5,4
	22,3	42,3	611,7	0,9	P - 80 2 42.25	T 90LB6	7,5
	22,3	42,3	611,7	0,9	P - 80 2 42.25	T 100A6	7,5
	22,2	64,4	600,0	1,0	P L 65 3 64.4	T 90L4	8,0
	21,9	65,4	609,2	3,6	P L 95 3 65.4	T 90L4	16,0
	21,5	43,7	619,4	2,1	P L 85 3 43.7	T 100A6	11,0
	21,5	43,7	619,4	2,1	P L 85 3 43.7	T 90LB6	11,0
	21,5	43,7	619,3	1,5	P - 90 3 43.7	T 100A6	7,5
	21,5	43,7	619,3	1,5	P - 90 3 43.7	T 90LB6	7,5
	21,4	134,4	621,7	3,4	P L 95 3 134.4	T 90S2	16,0
	21,4	134,4	624,0	3,4	P L 95 3 134.4	T 80C2	16,0
	21,3	44,1	638,4	1,5	P - 90 2 44.1	T 100A6	10,5
	21,3	44,1	638,4	1,5	P - 90 2 44.1	T 90LB6	10,5
	21,2	44,3	641,3	3,7	P - 125 2 44.3	T 100A6	21,0
	21,2	67,4	627,8	2,8	P - 112 3 67.4	T 90L4	11,8
	21,1	136,8	632,8	1,7	P L 85 3 136.8	T 90S2	11,0
	21,0	44,7	647,2	2,8	P - 112 2 44.7	T 100A6	16,5
	21,0	44,7	647,3	0,7	P - 71 2 44.7	T 100A6	7,5
	21,0	44,7	647,3	0,7	P - 71 2 44.7	T 90LB6	7,5
	21,0	136,8	635,0	1,7	P L 85 3 136.8	T 80C2	11,0
	20,8	138,8	641,8	0,8	P L 65 3 138.8	T 90S2	8,0
	20,7	138,8	644,4	0,8	P L 65 3 138.8	T 80C2	8,0
	20,4	141,0	652,2	1,4	P - 90 3 141	T 90S2	7,5
	20,4	46,0	652,2	1,0	P L 65 3 46	T 90LB6	8,0
	20,4	46,0	652,2	1,0	P L 65 3 46	T 100A6	8,0
	20,4	141,0	654,7	1,4	P - 90 3 141	T 80C2	7,5
	20,3	70,6	657,8	1,4	P - 90 3 70.6	T 90L4	7,5
	20,0	46,9	664,8	3,4	P L 95 3 46.9	T 90LB6	16,0
	20,0	46,9	664,8	3,4	P L 95 3 46.9	T 100A6	16,0
	19,7	72,6	676,2	2,6	P - 112 3 72.6	T 90L4	11,8
	19,5	48,1	696,8	0,8	P - 80 2 48.14	T 90LB6	7,5
	19,5	48,1	696,8	0,8	P - 80 2 48.14	T 100A6	7,5
19,5	148,0	684,5	2,2	P - 112 3 148	T 90S2	11,8	
19,4	148,0	687,0	2,2	P - 112 3 148	T 80C2	11,8	
19,3	74,0	689,7	1,7	P L 85 3 74	T 90L4	11,0	
19,3	74,2	691,4	3,5	P L 95 3 74.2	T 90L4	16,0	
19,3	48,8	691,8	1,4	P - 90 3 48.8	T 90LB6	7,5	
19,3	48,8	691,8	1,4	P - 90 3 48.8	T 100A6	7,5	
19,2	48,9	708,1	2,6	P - 112 2 48.9	T 100A6	16,5	
19,2	74,4	693,4	0,9	P L 65 3 74.4	T 90L4	8,0	
18,9	152,8	706,8	0,8	P L 65 3 152.8	T 90S2	8,0	
18,8	152,8	709,3	0,8	P L 65 3 152.8	T 80C2	8,0	
18,7	76,3	710,9	1,3	P - 90 3 76.3	T 90L4	7,5	
18,6	155,2	717,7	1,3	P - 90 3 155.2	T 90S2	7,5	
18,5	155,2	720,7	1,3	P - 90 3 155.2	T 80C2	7,5	
18,5	50,9	736,8	1,3	P - 90 2 50.9	T 100A6	10,5	
18,5	50,9	736,8	1,3	P - 90 2 50.9	T 90LB6	10,5	
18,4	51,2	725,6	2,6	P - 112 3 51.2	T 90LB6	11,8	
18,4	51,2	725,6	2,6	P - 112 3 51.2	T 100A6	11,8	
18,2	78,5	731,2	2,4	P - 112 3 78.5	T 90L4	11,8	
18,1	158,9	735,3	2,9	P L 95 3 158.9	T 90S2	16,0	
18,1	158,9	737,7	2,8	P L 95 3 158.9	T 80C2	16,0	
18,0	160,0	740,1	1,5	P L 85 3 160	T 90S2	11,0	
17,9	160,0	742,4	1,5	P L 85 3 160	T 80C2	11,0	
17,9	79,8	751,4	4,0	P L 105 3 79.8	T 90L4	22,0	
17,7	53,1	768,8	3,1	P - 125 2 53.1	T 100A6	21,0	
17,3	54,3	769,5	0,8	P L 65 3 54.3	T 90LB6	8,0	
17,3	54,3	769,5	0,8	P L 65 3 54.3	T 100A6	8,0	
17,3	82,8	771,6	1,2	P - 90 3 82.8	T 90L4	7,5	
17,3	167,0	772,4	1,9	P - 112 3 167	T 90S2	11,8	
17,2	167,0	775,1	1,9	P - 112 3 167	T 80C2	11,8	
17,2	54,7	775,4	2,9	P L 95 3 54.7	T 90LB6	16,0	
17,2	54,7	775,4	2,9	P L 95 3 54.7	T 100A6	16,0	
17,0	55,2	782,3	1,2	P - 90 3 55.2	T 100A6	7,5	
17,0	55,2	782,3	1,2	P - 90 3 55.2	T 90LB6	7,5	
17,0	169,2	791,2	4,0	P L 105 3 169.2	T 90S2	22,0	
17,0	169,2	794,0	4,0	P L 105 3 169.2	T 80C2	22,0	
16,8	84,9	791,2	1,5	P L 85 3 84.9	T 90L4	11,0	
16,7	85,4	795,8	0,8	P L 65 3 85.4	T 90L4	8,0	
16,7	56,3	797,9	1,6	P L 85 3 56.3	T 100A6	11,0	
16,7	56,3	797,9	1,6	P L 85 3 56.3	T 90LB6	11,0	
16,6	86,0	801,1	3,0	P L 95 3 86	T 90L4	16,0	
16,4	87,3	813,4	2,2	P - 112 3 87.3	T 90L4	11,8	
16,4	87,4	823,0	3,8	P L 105 3 87.4	T 90L4	22,0	
16,4	57,5	832,4	2,9	P - 125 2 57.5	T 100A6	21,0	
16,2	178,1	823,8	1,1	P - 90 3 178.1	T 90S2	7,5	
16,2	178,1	826,8	1,1	P - 90 3 178.1	T 80C2	7,5	



P ₁ Input Power kW	n ₂ Output speed min ⁻¹	IR ratio -	T2 Ouput torque Nm	FS' Service Factor -	 GEAR	 EU	P _{tn} Thermal capacity kW
1,5	16,1	58,5	829,1	2,2	P - 112 3 58.5	T 90LB6	11,8
	16,1	58,5	829,1	2,2	P - 112 3 58.5	T 100A6	11,8
	15,8	90,6	853,3	3,8	P L 105 3 90.6	T 90L4	22,0
	15,6	184,6	854,0	1,3	P L 85 3 184.6	T 90S2	11,0
	15,6	185,2	866,0	3,6	P L 105 3 185.2	T 90S2	22,0
	15,6	184,6	856,7	1,3	P L 85 3 184.6	T 80C2	11,0
	15,5	185,6	830,7	3,9	P E 125 185.62	T 90S2	10,5
	15,5	185,2	868,7	3,6	P L 105 3 185.2	T 80C2	22,0
	15,5	185,6	833,9	3,8	P E 125 185.62	T 80C2	10,5
	15,4	187,1	865,6	2,4	P L 95 3 187.1	T 90S2	16,0
	15,3	187,1	868,5	2,4	P L 95 3 187.1	T 80C2	16,0
	15,3	93,3	868,9	1,0	P - 90 3 93.3	T 90L4	7,5
	15,3	93,6	871,8	2,0	P - 112 3 93.6	T 90L4	11,8
	15,1	62,3	882,6	1,1	P - 90 3 62.3	T 90LB6	7,5
	15,1	62,3	882,6	1,1	P - 90 3 62.3	T 100A6	7,5
	15,0	191,5	885,8	1,7	P - 112 3 191.5	T 90S2	11,8
	15,0	62,7	898,4	3,5	P L 105 3 62.7	T 90LB6	22,0
	15,0	62,7	898,4	3,5	P L 105 3 62.7	T 100A6	22,0
	15,0	62,7	888,8	2,1	P - 112 3 62.7	T 90LB6	11,8
	15,0	62,7	888,8	2,1	P - 112 3 62.7	T 100A6	11,8
	15,0	191,5	888,6	1,7	P - 112 3 191.5	T 80C2	11,8
	14,7	63,9	905,7	1,4	P L 85 3 63.9	T 100A6	11,0
	14,7	63,9	905,7	1,4	P L 85 3 63.9	T 90LB6	11,0
	14,6	64,4	912,1	0,7	P L 65 3 64.4	T 90LB6	8,0
	14,6	64,4	912,1	0,7	P L 65 3 64.4	T 100A6	8,0
	14,6	98,0	913,2	1,3	P L 85 3 98	T 90L4	11,0
	14,5	98,4	917,0	2,6	P L 95 3 98.4	T 90L4	16,0
	14,4	199,5	922,7	2,3	P L 95 3 199.5	T 90S2	16,0
	14,4	199,5	925,9	2,3	P L 95 3 199.5	T 80C2	16,0
	14,4	65,4	927,0	2,6	P L 95 3 65.4	T 100A6	16,0
	14,4	65,4	927,0	2,6	P L 95 3 65.4	T 90LB6	16,0
	14,3	201,0	929,8	1,0	P - 90 3 201	T 90S2	7,5
	14,3	201,0	933,0	1,0	P - 90 3 201	T 80C2	7,5
	14,2	100,4	945,6	3,5	P L 105 3 100.4	T 90L4	22,0
	14,2	100,6	937,5	1,0	P - 90 3 100.6	T 90L4	7,5
	14,1	204,1	944,1	1,1	P L 85 3 204.1	T 90S2	11,0
	14,1	204,1	947,4	1,1	P L 85 3 204.1	T 80C2	11,0
	14,0	67,4	955,2	1,9	P - 112 3 67.4	T 100A6	11,8
	14,0	67,4	955,2	1,9	P - 112 3 67.4	T 90LB6	11,8
	13,6	212,6	951,4	3,7	P E 132 212.62	T 90S2	12,0
	13,5	212,6	955,1	3,7	P E 132 212.62	T 80C2	12,0
	13,5	214,0	989,6	1,1	P L 85 3 214	T 90S2	11,0
	13,4	214,0	993,3	1,1	P L 85 3 214	T 80C2	11,0
	13,3	70,6	1001,1	0,9	P - 90 3 70.6	T 90LB6	7,5
	13,3	70,6	1001,1	0,9	P - 90 3 70.6	T 100A6	7,5
	13,3	70,7	1012,4	3,1	P L 105 3 70.7	T 90LB6	22,0
	13,3	70,7	1012,4	3,1	P L 105 3 70.7	T 100A6	22,0
	13,2	108,4	1010,0	1,7	P - 112 3 108.4	T 90L4	11,8
	13,1	108,9	1014,9	0,9	P - 90 3 108.9	T 90L4	7,5
	13,0	220,9	1021,8	1,5	P - 112 3 220.9	T 90S2	11,8
13,0	221,3	1024,1	2,1	P L 95 3 221.3	T 90S2	16,0	
13,0	220,9	1025,5	1,5	P - 112 3 220.9	T 80C2	11,8	
13,0	221,3	1027,1	2,0	P L 95 3 221.3	T 80C2	16,0	
13,0	72,6	1028,8	1,8	P - 112 3 72.6	T 90LB6	11,8	
13,0	72,6	1028,8	1,8	P - 112 3 72.6	T 100A6	11,8	
12,9	110,5	1040,6	3,2	P L 105 3 110.5	T 90L4	22,0	
12,8	224,4	1038,0	0,9	P - 90 3 224.4	T 90S2	7,5	
12,8	224,4	1042,0	0,9	P - 90 3 224.4	T 80C2	7,5	
12,7	74,0	1049,0	1,2	P L 85 3 74	T 100A6	11,0	
12,7	74,0	1049,0	1,2	P L 85 3 74	T 90LB6	11,0	
12,7	227,3	1017,6	3,1	P E 125 227.28	T 90S2	10,5	
12,7	74,2	1051,4	2,3	P L 95 3 74.2	T 100A6	16,0	
12,7	74,2	1051,4	2,3	P L 95 3 74.2	T 90LB6	16,0	
12,6	227,3	1020,8	3,1	P E 125 227.28	T 80C2	10,5	
12,6	113,5	1057,6	1,1	P L 85 3 113.5	T 90L4	11,0	
12,3	116,0	1080,4	2,2	P L 95 3 116	T 90L4	16,0	
12,3	76,3	1081,2	0,9	P - 90 3 76.3	T 100A6	7,5	
12,3	76,3	1081,2	0,9	P - 90 3 76.3	T 90LB6	7,5	
12,3	234,0	1047,3	3,3	P E 132 234	T 90S2	12,0	
12,3	234,0	1082,2	1,0	P L 85 3 234	T 90S2	11,0	
12,3	234,0	1051,7	3,3	P E 132 234	T 80C2	12,0	
12,3	234,0	1086,5	1,0	P L 85 3 234	T 80C2	11,0	
12,2	117,2	1091,9	1,6	P - 112 3 117.2	T 90L4	11,8	
12,0	78,5	1112,9	1,7	P - 112 3 78.5	T 90LB6	11,8	
12,0	78,5	1112,9	1,7	P - 112 3 78.5	T 100A6	11,8	
12,0	241,0	1115,0	1,3	P - 112 3 241	T 90S2	11,8	
11,9	241,0	1118,8	1,3	P - 112 3 241	T 80C2	11,8	
11,8	243,2	1125,0	1,9	P L 95 3 243.2	T 90S2	16,0	
11,8	243,2	1129,0	1,9	P L 95 3 243.2	T 80C2	16,0	
11,8	79,8	1143,1	2,9	P L 105 3 79.8	T 90LB6	22,0	
11,8	79,8	1143,1	2,9	P L 105 3 79.8	T 100A6	22,0	
11,5	251,2	1124,1	2,8	P E 125 251.17	T 90S2	10,5	
11,4	125,0	1164,7	0,8	P - 90 3 125	T 90L4	7,5	
11,4	251,2	1128,1	2,8	P E 125 251.17	T 80C2	10,5	
11,4	253,2	1171,7	0,8	P - 90 3 253.2	T 90S2	7,5	
11,4	82,8	1173,4	0,8	P - 90 3 82.8	T 90LB6	7,5	
11,4	82,8	1173,4	0,8	P - 90 3 82.8	T 100A6	7,5	
11,3	126,1	1187,4	2,9	P L 105 3 126.1	T 90L4	22,0	
11,3	253,2	1175,7	0,8	P - 90 3 253.2	T 80C2	7,5	
11,2	128,3	1194,8	1,5	P - 112 3 128.3	T 90L4	11,8	
11,1	84,9	1203,7	1,1	P L 85 3 84.9	T 90LB6	11,0	
11,1	84,9	1203,7	1,1	P L 85 3 84.9	T 100A6	11,0	
11,1	260,3	1165,6	3,0	P E 132 260.34	T 90S2	12,0	
11,0	260,3	1170,0	3,0	P E 132 260.34	T 80C2	12,0	
10,9	86,0	1218,7	2,0	P L 95 3 86	T 90LB6	16,0	



HIGH TECH *line* Motion

P ₁ Input Power kW	n ₂ Output speed min ⁻¹	IR ratio -	T ₂ Ouput torque Nm	FS' Service Factor -	 GEAR	 EU	P _{tn} Thermal capacity kW
-------------------------------------	---	------------------	--------------------------------------	----------------------------	---	---	---



1,5	10,9	86,0	1218,7	2,0	P L 95 3 86	T 100A6	16,0
	10,8	266,2	1231,4	1,7	P L 95 3 266,2	T 90S2	16,0
	10,8	266,2	1235,8	1,7	P L 95 3 266,2	T 80C2	16,0
	10,8	87,3	1237,3	1,5	P - 112 3 87,3	T 100A6	11,8
	10,8	87,3	1237,3	1,5	P - 112 3 87,3	T 90LB6	11,8
	10,8	87,4	1251,3	2,7	P L 105 3 87,4	T 90LB6	22,0
	10,8	87,4	1251,3	2,7	P L 105 3 87,4	T 100A6	22,0
	10,7	270,0	1249,0	0,9	P L 85 3 270	T 90S2	11,0
	10,6	134,4	1252,2	1,9	P L 95 3 134,4	T 90L4	16,0
	10,6	270,0	1252,9	0,9	P L 85 3 270	T 80C2	11,0
	10,5	273,5	1224,5	2,5	P E 125 273,48	T 90S2	10,5
	10,5	273,5	1229,2	2,4	P E 125 273,48	T 80C2	10,5
	10,5	136,8	1274,8	0,9	P L 85 3 136,8	T 90L4	11,0
	10,4	90,6	1297,1	2,7	P L 105 3 90,6	T 100A6	22,0
	10,4	90,6	1297,1	2,7	P L 105 3 90,6	T 90LB6	22,0
	10,4	278,1	1285,7	1,2	P - 112 3 278,1	T 90S2	11,8
	10,3	278,1	1290,9	1,2	P - 112 3 278,1	T 80C2	11,8
	10,2	139,9	1317,5	2,6	P L 105 3 139,9	T 90L4	22,0
	10,1	93,3	1321,1	0,7	P - 90 3 93,3	T 100A6	7,5
	10,1	93,3	1321,1	0,7	P - 90 3 93,3	T 90LB6	7,5
	10,1	286,5	1283,0	2,7	P E 132 286,51	T 90S2	12,0
	10,0	93,6	1326,7	1,4	P - 112 3 93,6	T 90LB6	11,8
	10,0	93,6	1326,7	1,4	P - 112 3 93,6	T 100A6	11,8
	10,0	286,5	1286,8	2,7	P E 132 286,51	T 80C2	12,0
	9,7	148,0	1379,4	1,3	P - 112 3 148	T 90L4	11,8
	9,6	98,0	1388,9	0,9	P L 85 3 98	T 90LB6	11,0
	9,6	98,0	1388,9	0,9	P L 85 3 98	T 100A6	11,0
	9,6	98,4	1394,8	1,7	P L 95 3 98,4	T 100A6	16,0
	9,6	98,4	1394,8	1,7	P L 95 3 98,4	T 90LB6	16,0
	9,4	151,5	1365,8	2,6	P E 125 151,48	T 90L4	10,5
	9,4	100,4	1438,7	2,5	P L 105 3 100,4	T 100A6	22,0
	9,4	100,4	1438,7	2,5	P L 105 3 100,4	T 90LB6	22,0
	9,4	307,7	1377,3	2,3	P E 125 307,71	T 90S2	10,5
	9,3	307,7	1381,7	2,3	P E 125 307,71	T 80C2	10,5
	9,3	153,9	1449,6	2,4	P L 105 3 153,9	T 90L4	22,0
	9,3	310,5	1389,4	3,9	P E 150 310,47	T 90S2	16,0
	9,2	310,5	1395,3	3,9	P E 150 310,47	T 80C2	16,0
	9,1	316,6	1416,6	2,5	P E 132 316,62	T 90S2	12,0
	9,1	316,6	1423,1	2,5	P E 132 316,62	T 80C2	12,0
	9,1	103,9	1488,0	3,6	P L 115 3 103,9	T 100A6	26,0
	9,0	158,6	1429,3	2,8	P E 132 158,56	T 90L4	12,0
	9,0	158,9	1480,3	1,6	P L 95 3 158,9	T 90L4	16,0
	8,9	160,0	1490,1	0,8	P L 85 3 160	T 90L4	11,0
	8,9	325,0	1455,3	3,7	P E 150 325	T 90S2	16,0
	8,8	325,0	1460,0	3,7	P E 150 325	T 80C2	16,0
	8,7	108,4	1536,3	1,2	P - 112 3 108,4	T 90LB6	11,8
	8,7	108,4	1536,3	1,2	P - 112 3 108,4	T 100A6	11,8
	8,6	167,0	1556,0	1,1	P - 112 3 167	T 90L4	11,8
	8,5	110,5	1582,4	2,3	P L 105 3 110,5	T 90LB6	22,0
	8,5	110,5	1582,4	2,3	P L 105 3 110,5	T 100A6	22,0
8,5	169,2	1593,3	2,2	P L 105 3 169,2	T 90L4	22,0	
8,3	113,5	1608,9	0,8	P L 85 3 113,5	T 100A6	11,0	
8,3	113,5	1608,9	0,8	P L 85 3 113,5	T 90LB6	11,0	
8,2	173,5	1564,5	2,6	P E 132 173,51	T 90L4	12,0	
8,2	114,3	1638,1	3,3	P L 115 3 114,3	T 100A6	26,0	
8,2	350,3	1568,4	1,6	P E 125 350,27	T 90S2	10,5	
8,2	350,3	1574,3	1,6	P E 125 350,27	T 80C2	10,5	
8,2	352,5	1578,0	2,2	P E 132 352,46	T 90S2	12,0	
8,1	352,5	1583,7	2,2	P E 132 352,46	T 80C2	12,0	
8,1	116,0	1644,6	1,5	P L 95 3 116	T 100A6	16,0	
8,1	116,0	1644,6	1,5	P L 95 3 116	T 90LB6	16,0	
8,0	359,2	1607,5	3,4	P E 150 359,17	T 90S2	16,0	
8,0	117,2	1660,7	1,1	P - 112 3 117,2	T 100A6	11,8	
8,0	117,2	1660,7	1,1	P - 112 3 117,2	T 90LB6	11,8	
8,0	359,2	1613,5	3,3	P E 150 359,17	T 80C2	16,0	
7,8	121,2	1735,2	3,1	P L 115 3 121,2	T 100A6	26,0	
7,7	185,2	1744,2	2,0	P L 105 3 185,2	T 90L4	22,0	
7,7	185,6	1674,1	2,1	P E 125 185,62	T 90L4	10,5	
7,6	187,1	1743,3	1,4	P L 95 3 187,1	T 90L4	16,0	
7,6	380,8	1705,3	3,2	P E 150 380,82	T 90S2	16,0	
7,5	380,8	1709,9	3,2	P E 150 380,82	T 80C2	16,0	
7,5	383,9	1719,2	1,9	P E 125 383,88	T 90S2	10,5	
7,5	191,0	1721,2	2,3	P E 132 190,95	T 90L4	12,0	
7,5	383,9	1723,5	1,9	P E 125 383,88	T 80C2	10,5	
7,5	191,5	1783,3	1,0	P - 112 3 191,5	T 90L4	11,8	
7,5	126,1	1807,6	2,0	P L 105 3 126,1	T 100A6	22,0	
7,5	126,1	1807,6	2,0	P L 105 3 126,1	T 90LB6	22,0	
7,4	387,9	1737,3	2,0	P E 132 387,9	T 90S2	12,0	
7,4	387,9	1742,4	2,0	P E 132 387,9	T 80C2	12,0	
7,3	128,3	1817,6	1,0	P - 112 3 128,3	T 100A6	11,8	
7,3	128,3	1817,6	1,0	P - 112 3 128,3	T 90LB6	11,8	
7,2	199,5	1857,6	1,3	P L 95 3 199,5	T 90L4	16,0	
7,0	134,4	1905,8	1,3	P L 95 3 134,4	T 100A6	16,0	
7,0	134,4	1905,8	1,3	P L 95 3 134,4	T 90LB6	16,0	
6,9	135,8	1945,7	2,8	P L 115 3 135,8	T 100A6	26,0	
6,9	416,3	1863,4	1,7	P E 125 416,28	T 90S2	10,5	
6,9	416,3	1871,3	1,7	P E 125 416,28	T 80C2	10,5	
6,8	420,9	1885,0	2,9	P E 150 420,86	T 90S2	16,0	
6,8	420,9	1890,3	2,9	P E 150 420,86	T 80C2	16,0	
6,7	212,6	1915,7	2,1	P E 132 212,62	T 90L4	12,0	
6,7	139,9	2004,0	1,8	P L 105 3 139,9	T 90LB6	22,0	
6,7	139,9	2004,0	1,8	P L 105 3 139,9	T 100A6	22,0	
6,6	216,6	1953,5	3,1	P E 150 216,61	T 90L4	16,0	
6,6	439,7	1968,5	1,8	P E 132 439,72	T 90S2	12,0	
6,5	439,7	1974,4	1,8	P E 132 439,72	T 80C2	12,0	





P ₁ Input Power kW	n ₂ Output speed min ⁻¹	IR ratio -	T ₂ Ouput torque Nm	FS' Service Factor -	 GEAR	 EU	P _{tn} Thermal capacity kW
1,5	6,5	220,9	2058,8	0,9	P - 112 3 220,9	T 90L4	11,8
	6,5	221,3	2061,9	1,2	P L 95 3 221,3	T 90L4	16,0
	6,4	148,0	2097,7	0,9	P - 112 3 148	T 100A6	11,8
	6,4	148,0	2097,7	0,9	P - 112 3 148	T 90LB6	11,8
	6,3	148,2	2123,8	2,6	P L 115 3 148,2	T 100A6	26,0
	6,3	227,3	2050,0	1,7	P E 125 227,28	T 90L4	10,5
	6,3	458,3	2052,7	2,6	P E 150 458,31	T 90S2	16,0
	6,3	458,3	2059,5	2,6	P E 150 458,31	T 80C2	16,0
	6,2	461,9	2069,9	1,5	P E 125 461,93	T 90S2	10,5
	6,2	151,5	2075,9	1,7	P E 125 151,48	T 100A6	10,5
	6,2	151,5	2075,9	1,7	P E 125 151,48	T 90LB6	10,5
	6,2	461,9	2076,1	1,5	P E 125 461,93	T 80C2	10,5
	6,1	234,0	2109,7	1,9	P E 132 234	T 90L4	12,0
	6,1	153,9	2203,9	1,7	P L 105 3 153,9	T 100A6	22,0
	6,1	153,9	2203,9	1,7	P L 105 3 153,9	T 90LB6	22,0
	6,1	155,1	2222,1	3,7	P L 125 3 155,1	T 100A6	33,0
	6,0	483,2	2163,1	3,7	P E 170 483,23	T 90S2	21,0
	6,0	483,9	2166,7	1,6	P E 132 483,92	T 90S2	12,0
	5,9	483,2	2170,4	3,7	P E 170 483,23	T 80C2	21,0
	5,9	158,6	2173,9	1,8	P E 132 158,56	T 90LB6	12,0
	5,9	158,6	2173,9	1,8	P E 132 158,56	T 100A6	12,0
	5,9	483,9	2173,9	1,6	P E 132 483,92	T 80C2	12,0
	5,9	241,0	2247,4	0,8	P - 112 3 241	T 90L4	11,8
	5,9	158,9	2250,0	1,1	P L 95 3 158,9	T 90LB6	16,0
	5,9	158,9	2250,0	1,1	P L 95 3 158,9	T 100A6	16,0
	5,9	243,2	2265,6	1,1	P L 95 3 243,2	T 90L4	16,0
	5,8	163,1	2337,8	2,3	P L 115 3 163,1	T 100A6	26,0
	5,7	501,5	2246,3	2,4	P E 150 501,52	T 90S2	16,0
	5,7	501,5	2253,8	2,4	P E 150 501,52	T 80C2	16,0
	5,7	251,2	2265,9	1,5	P E 125 251,17	T 90L4	10,5
	5,6	167,0	2366,4	0,8	P - 112 3 167	T 90LB6	11,8
	5,6	167,0	2366,4	0,8	P - 112 3 167	T 100A6	11,8
	5,6	169,2	2422,2	1,6	P L 105 3 169,2	T 90LB6	22,0
	5,6	169,2	2422,2	1,6	P L 105 3 169,2	T 100A6	22,0
	5,5	520,0	2327,1	3,5	P E 170 520,04	T 90S2	21,0
	5,5	519,6	2326,7	1,4	P E 125 519,6	T 90S2	10,5
	5,5	520,0	2335,6	3,5	P E 170 520,04	T 80C2	21,0
	5,5	519,6	2335,8	1,4	P E 125 519,6	T 80C2	10,5
	5,5	170,7	2443,7	3,3	P L 125 3 170,7	T 100A6	33,0
	5,5	260,3	2348,3	1,7	P E 132 260,34	T 90L4	12,0
	5,5	524,8	2347,9	1,5	P E 132 524,76	T 90S2	12,0
	5,5	524,8	2357,4	1,5	P E 132 524,76	T 80C2	12,0
	5,4	173,5	2379,1	1,7	P E 132 173,51	T 90LB6	12,0
	5,4	173,5	2379,1	1,7	P E 132 173,51	T 100A6	12,0
	5,4	265,4	2391,7	2,5	P E 150 265,44	T 90L4	16,0
	5,4	266,2	2481,0	1,0	P L 95 3 266,2	T 90L4	16,0
	5,3	268,8	2423,3	3,7	P E 170 268,78	T 90L4	21,0
	5,3	543,9	2432,8	1,4	P E 132 543,89	T 90S2	12,0
	5,3	543,9	2441,9	1,4	P E 132 543,89	T 80C2	12,0
	5,3	549,0	2456,0	2,2	P E 150 548,95	T 90S2	16,0
5,2	549,0	2465,0	2,2	P E 150 548,95	T 80C2	16,0	
5,2	273,5	2465,3	1,3	P E 125 273,48	T 90L4	10,5	
5,2	559,2	2503,6	3,2	P E 170 559,19	T 90S2	21,0	
5,1	559,2	2512,9	3,2	P E 170 559,19	T 80C2	21,0	
5,1	280,9	2533,1	2,4	P E 150 280,94	T 90L4	16,0	
5,1	185,2	2650,2	1,4	P L 105 3 185,2	T 90LB6	22,0	
5,1	185,2	2650,2	1,4	P L 105 3 185,2	T 100A6	22,0	
5,1	185,6	2547,3	1,4	P E 125 185,62	T 100A6	10,5	
5,1	185,6	2547,3	1,4	P E 125 185,62	T 90LB6	10,5	
5,0	187,1	2652,9	0,9	P L 95 3 187,1	T 100A6	16,0	
5,0	187,1	2652,9	0,9	P L 95 3 187,1	T 90LB6	16,0	
5,0	286,5	2584,0	1,5	P E 132 286,51	T 90L4	12,0	
5,0	189,1	2709,1	3,0	P L 125 3 189,1	T 100A6	33,0	
5,0	580,5	2599,5	1,0	P E 125 580,52	T 90S2	10,5	
4,9	190,3	2725,6	2,0	P L 115 3 190,3	T 100A6	26,0	
4,9	580,5	2609,5	1,0	P E 125 580,52	T 80C2	10,5	
4,9	191,0	2620,1	1,5	P E 132 190,95	T 90LB6	12,0	
4,9	191,0	2620,1	1,5	P E 132 190,95	T 100A6	12,0	
4,8	595,3	2663,6	2,0	P E 150 595,28	T 90S2	16,0	
4,8	595,2	2663,6	1,3	P E 132 595,18	T 90S2	12,0	
4,8	595,3	2675,0	2,0	P E 150 595,28	T 80C2	16,0	
4,8	595,2	2674,5	1,3	P E 132 595,18	T 80C2	12,0	
4,8	606,4	2714,5	3,0	P E 170 606,41	T 90S2	21,0	
4,7	302,0	2720,1	3,3	P E 170 301,96	T 90L4	21,0	
4,7	606,4	2725,4	3,0	P E 170 606,41	T 80C2	21,0	
4,7	199,5	2828,0	0,8	P L 95 3 199,5	T 100A6	16,0	
4,7	199,5	2828,0	0,8	P L 95 3 199,5	T 90LB6	16,0	
4,7	307,7	2771,9	1,3	P E 125 307,71	T 90L4	10,5	
4,6	310,5	2796,8	2,1	P E 150 310,47	T 90L4	16,0	
4,6	625,2	2797,2	1,1	P E 125 625,23	T 90S2	10,5	
4,6	625,2	2808,7	1,1	P E 125 625,23	T 80C2	10,5	
4,5	316,6	2851,7	1,4	P E 132 316,62	T 90L4	12,0	
4,5	643,2	2877,4	1,9	P E 150 643,23	T 90S2	16,0	
4,5	210,3	3012,2	1,8	P L 115 3 210,3	T 100A6	26,0	
4,5	643,2	2890,8	1,9	P E 150 643,23	T 80C2	16,0	
4,4	649,0	2903,9	2,8	P E 170 649	T 90S2	21,0	
4,4	648,4	2903,8	1,1	P E 125 648,43	T 90S2	10,5	
4,4	648,4	2910,9	1,1	P E 125 648,43	T 80C2	10,5	
4,4	649,0	2917,2	2,8	P E 170 649	T 80C2	21,0	
4,4	212,6	2916,9	1,4	P E 132 212,62	T 90LB6	12,0	
4,4	212,6	2916,9	1,4	P E 132 212,62	T 100A6	12,0	
4,4	325,0	2929,7	2,0	P E 150 325	T 90L4	16,0	
4,4	655,0	2929,7	1,2	P E 132 655,01	T 90S2	12,0	
4,4	655,0	2942,8	1,2	P E 132 655,01	T 80C2	12,0	
4,4	215,0	2950,2	3,1	P E 170 215,02	T 90LB6	21,0	



HIGH TECH *line* Motion

P ₁ Input Power kW	n ₂ Output speed min ⁻¹	IR ratio -	T ₂ Output torque Nm	FS' Service Factor -			P _{tn} Thermal capacity kW
1,5	4.4	215.0	2950.2	3.1	P E 170 215.02	T 100A6	21.0
	4.4	660.4	2956.8	3.9	P E 190 660.37	T 90S2	27.0
	4.4	660.4	2963.9	3.9	P E 190 660.37	T 80C2	27.0
	4.3	216.6	2970.3	2.0	P E 150 216.61	T 100A6	16.0
	4.3	216.6	2970.3	2.0	P E 150 216.61	T 90LB6	16.0
	4.3	330.6	2977.5	3.0	P E 170 330.6	T 90L4	21.0
	4.3	221.3	3135.9	0.8	P L 95 3 221.3	T 90LB6	16.0
	4.3	221.3	3135.9	0.8	P L 95 3 221.3	T 100A6	16.0
	4.1	227.3	3113.9	1.1	P E 125 227.28	T 90LB6	10.5
	4.1	227.3	3113.9	1.1	P E 125 227.28	T 100A6	10.5
	4.1	697.9	3121.8	2.6	P E 170 697.85	T 90S2	21.0
	4.1	697.5	3121.4	1.7	P E 150 697.51	T 90S2	16.0
	4.1	347.4	3129.2	4.0	P E 190 347.35	T 90L4	27.0
	4.1	697.9	3137.1	2.6	P E 170 697.85	T 80C2	21.0
	4.1	697.5	3137.1	1.7	P E 150 697.51	T 80C2	16.0
	4.1	229.4	3284.8	1.7	P L 115 3 229.4	T 100A6	26.0
	4.1	704.9	3152.4	3.6	P E 190 704.94	T 90S2	27.0
	4.1	350.3	3159.1	0.9	P E 125 350.27	T 90L4	10.5
	4.1	704.9	3167.5	3.6	P E 190 704.94	T 80C2	27.0
	4.1	352.5	3176.3	1.3	P E 132 352.46	T 90L4	12.0
	4.0	234.0	3206.8	1.2	P E 132 234	T 90LB6	12.0
	4.0	234.0	3206.8	1.2	P E 132 234	T 100A6	12.0
	4.0	357.1	3223.3	3.9	P E 190 357.1	T 90L4	27.0
	4.0	357.1	3223.5	2.8	P E 170 357.1	T 90L4	21.0
	4.0	359.2	3239.7	1.9	P E 150 359.17	T 90L4	16.0
	4.0	724.6	3248.3	0.9	P E 125 724.6	T 90S2	10.5
	4.0	724.6	3255.8	0.9	P E 125 724.6	T 80C2	10.5
	3.9	743.0	3322.4	1.6	P E 150 743.02	T 90S2	16.0
	3.9	742.8	3322.8	1.1	P E 132 742.75	T 90S2	12.0
	3.9	743.0	3340.2	1.6	P E 150 743.02	T 80C2	16.0
	3.9	742.8	3339.7	1.0	P E 132 742.75	T 80C2	12.0
	3.8	246.9	3383.9	3.7	P E 190 246.94	T 100A6	27.0
	3.8	246.9	3383.9	3.7	P E 190 246.94	T 90LB6	27.0
	3.8	756.8	3383.7	3.4	P E 190 756.78	T 90S2	27.0
	3.8	246.9	3383.5	2.7	P E 170 246.94	T 90LB6	21.0
	3.8	246.9	3383.5	2.7	P E 170 246.94	T 100A6	21.0
	3.8	756.8	3383.5	2.4	P E 170 756.78	T 90S2	21.0
	3.8	756.8	3401.7	3.4	P E 190 756.78	T 80C2	27.0
	3.8	377.5	3401.4	2.6	P E 170 377.45	T 90L4	21.0
	3.8	756.8	3401.5	2.4	P E 170 756.78	T 80C2	21.0
	3.8	380.8	3428.6	1.8	P E 150 380.82	T 90L4	16.0
	3.8	766.5	3429.3	1.6	P E 150 766.52	T 90S2	16.0
	3.7	766.5	3446.8	1.6	P E 150 766.52	T 80C2	16.0
	3.7	251.2	3447.1	1.0	P E 125 251.17	T 90LB6	10.5
	3.7	251.2	3447.1	1.0	P E 125 251.17	T 100A6	10.5
	3.7	383.9	3456.2	1.0	P E 125 383.88	T 90L4	10.5
	3.7	387.9	3494.5	1.1	P E 132 387.9	T 90L4	12.0
	3.7	780.3	3493.4	0.9	P E 125 780.26	T 90S2	10.5
	3.7	388.9	3503.4	3.6	P E 190 388.88	T 90L4	27.0
	3.7	780.3	3503.6	0.9	P E 125 780.26	T 80C2	10.5
3.6	260.3	3571.4	1.1	P E 132 260.34	T 90LB6	12.0	
3.6	260.3	3571.4	1.1	P E 132 260.34	T 100A6	12.0	
3.6	811.3	3631.2	2.2	P E 170 811.25	T 90S2	21.0	
3.5	811.3	3642.1	2.2	P E 170 811.25	T 80C2	21.0	
3.5	265.4	3642.3	1.6	P E 150 265.44	T 90LB6	16.0	
3.5	265.4	3642.3	1.6	P E 150 265.44	T 100A6	16.0	
3.5	817.4	3663.6	1.0	P E 132 817.42	T 90S2	12.0	
3.5	267.7	3835.6	1.4	P L 115 3 267.7	T 100A6	26.0	
3.5	817.4	3673.9	1.0	P E 132 817.42	T 80C2	12.0	
3.5	268.9	3683.7	3.4	P E 190 268.91	T 100A6	27.0	
3.5	268.9	3683.7	3.4	P E 190 268.91	T 90LB6	27.0	
3.5	268.8	3683.5	2.4	P E 170 268.78	T 90LB6	21.0	
3.5	268.8	3683.5	2.4	P E 170 268.78	T 100A6	21.0	
3.5	824.1	3693.8	3.1	P E 190 824.12	T 90S2	27.0	
3.5	409.3	3694.6	2.4	P E 170 409.33	T 90L4	21.0	
3.5	824.1	3704.9	3.1	P E 190 824.12	T 80C2	27.0	
3.5	831.2	3725.9	1.4	P E 150 831.21	T 90S2	16.0	
3.5	831.2	3736.2	1.4	P E 150 831.21	T 80C2	16.0	
3.4	416.3	3747.3	0.9	P E 125 416.28	T 90L4	10.5	
3.4	273.5	3747.1	0.9	P E 125 273.48	T 90LB6	10.5	
3.4	273.5	3747.1	0.9	P E 125 273.48	T 100A6	10.5	
3.4	420.9	3792.7	1.6	P E 150 420.86	T 90L4	16.0	
3.4	425.6	3836.7	3.3	P E 190 425.55	T 90L4	27.0	
3.4	280.9	3847.8	1.6	P E 150 280.94	T 90LB6	16.0	
3.4	280.9	3847.8	1.6	P E 150 280.94	T 100A6	16.0	
3.3	870.6	3894.2	1.4	P E 150 870.64	T 90S2	16.0	
3.3	870.6	3907.4	1.4	P E 150 870.64	T 80C2	16.0	
3.3	286.5	3931.8	1.0	P E 132 286.51	T 100A6	12.0	
3.3	286.5	3931.8	1.0	P E 132 286.51	T 90LB6	12.0	
3.3	879.8	3942.9	2.9	P E 190 879.75	T 90S2	27.0	
3.3	879.8	3942.2	2.1	P E 170 879.75	T 90S2	21.0	
3.3	879.8	3954.6	2.9	P E 190 879.75	T 80C2	27.0	
3.3	879.8	3955.1	2.0	P E 170 879.75	T 80C2	21.0	
3.3	439.7	3965.6	1.0	P E 132 439.72	T 90L4	12.0	
3.2	290.0	4155.7	1.3	P L 115 3 290	T 100A6	26.0	
3.2	291.5	4003.8	3.1	P E 190 291.48	T 100A6	27.0	
3.2	291.5	4003.8	3.1	P E 190 291.48	T 90LB6	27.0	
3.2	445.6	4016.7	2.2	P E 170 445.6	T 90L4	21.0	
3.2	448.2	4041.8	3.1	P E 190 448.15	T 90L4	27.0	
3.2	905.7	4054.1	0.9	P E 132 905.66	T 90S2	12.0	
3.2	904.3	4054.1	0.7	P E 125 904.27	T 90S2	10.5	
3.2	905.7	4066.6	0.9	P E 132 905.66	T 80C2	12.0	
3.2	904.3	4068.7	0.7	P E 125 904.27	T 80C2	10.5	
3.1	458.3	4132.2	1.5	P E 150 458.31	T 90L4	16.0	
3.1	302.5	4145.5	3.0	P E 190 302.51	T 100A6	27.0	





P ₁ Input Power kW	n ₂ Output speed min ⁻¹	IR ratio -	T2 Ouput torque Nm	FS' Service Factor -	 GEAR	 EU	P _{tn} Thermal capacity kW
1,5	3,1	302,5	4145,5	3,0	P E 190 302,51	T 90LB6	27,0
	3,1	302,0	4144,9	2,2	P E 170 301,96	T 100A6	21,0
	3,1	302,0	4144,9	2,2	P E 170 301,96	T 90LB6	21,0
	3,1	461,9	4160,1	0,8	P E 125 461,93	T 90L4	10,5
	3,1	307,7	4227,1	0,8	P E 125 307,71	T 100A6	10,5
	3,1	307,7	4227,1	0,8	P E 125 307,71	T 90LB6	10,5
	3,0	948,1	4240,8	1,3	P E 150 948,12	T 90S2	16,0
	3,0	310,5	4255,3	1,4	P E 150 310,47	T 100A6	16,0
	3,0	310,5	4255,3	1,4	P E 150 310,47	T 90LB6	16,0
	3,0	948,1	4254,2	1,3	P E 150 948,12	T 80C2	16,0
	3,0	958,0	4283,6	2,7	P E 190 958,04	T 90S2	27,0
	3,0	958,0	4297,5	2,7	P E 190 958,04	T 80C2	27,0
	3,0	316,6	4341,5	0,9	P E 132 316,62	T 90LB6	12,0
	3,0	316,6	4341,5	0,9	P E 132 316,62	T 100A6	12,0
	3,0	317,4	4355,4	2,9	P E 190 317,42	T 90LB6	27,0
	3,0	483,2	4355,4	2,9	P E 190 483,23	T 90L4	27,0
	3,0	317,4	4355,4	2,9	P E 190 317,42	T 100A6	27,0
	3,0	483,2	4356,2	2,1	P E 170 483,23	T 90L4	21,0
	3,0	483,9	4354,1	0,9	P E 132 483,92	T 90L4	12,0
	2,9	981,4	4400,6	1,8	P E 170 981,35	T 90S2	21,0
	2,9	981,4	4415,0	1,8	P E 170 981,35	T 80C2	21,0
	2,9	325,0	4462,1	1,3	P E 150 325	T 90LB6	16,0
	2,9	325,0	4462,1	1,3	P E 150 325	T 100A6	16,0
	2,9	329,4	4523,5	2,8	P E 190 329,43	T 90LB6	27,0
	2,9	329,4	4523,5	2,8	P E 190 329,43	T 100A6	27,0
	2,9	501,5	4522,6	1,3	P E 150 501,52	T 90L4	16,0
	2,8	330,6	4539,3	2,0	P E 170 330,6	T 100A6	21,0
	2,8	330,6	4539,3	2,0	P E 170 330,6	T 90LB6	21,0
	2,8	1037,5	4636,5	1,2	P E 150 1037,52	T 90S2	16,0
	2,8	1037,5	4655,2	1,2	P E 150 1037,52	T 80C2	16,0
	2,8	520,0	4687,5	1,9	P E 170 520,04	T 90L4	21,0
	2,8	519,6	4687,5	0,7	P E 125 519,6	T 90L4	10,5
	2,7	524,8	4720,7	0,8	P E 132 524,76	T 90L4	12,0
	2,7	526,2	4739,6	2,6	P E 190 526,24	T 90L4	27,0
	2,7	347,4	4757,7	2,6	P E 190 347,35	T 100A6	27,0
	2,7	347,4	4757,7	2,6	P E 190 347,35	T 90LB6	27,0
	2,7	1064,2	4757,3	2,4	P E 190 1064,22	T 90S2	27,0
	2,7	1064,2	4757,2	1,7	P E 170 1064,22	T 90S2	21,0
	2,7	1064,2	4774,4	2,4	P E 190 1064,22	T 80C2	27,0
	2,7	1064,2	4774,1	1,7	P E 170 1064,22	T 80C2	21,0
	2,7	352,5	4827,0	0,8	P E 132 352,46	T 90LB6	12,0
	2,7	352,5	4827,0	0,8	P E 132 352,46	T 100A6	12,0
	2,6	357,1	4902,0	2,6	P E 190 357,1	T 90LB6	27,0
	2,6	357,1	4902,0	2,6	P E 190 357,1	T 100A6	27,0
	2,6	357,1	4902,0	1,8	P E 170 357,1	T 100A6	21,0
	2,6	357,1	4902,0	1,8	P E 170 357,1	T 90LB6	21,0
	2,6	543,9	4902,0	0,8	P E 132 543,89	T 90L4	12,0
	2,6	359,2	4920,7	1,2	P E 150 359,17	T 100A6	16,0
	2,6	359,2	4920,7	1,2	P E 150 359,17	T 90LB6	16,0
	2,6	549,0	4958,7	1,2	P E 150 548,95	T 90L4	16,0
2,6	559,2	5035,4	1,8	P E 170 559,19	T 90L4	21,0	
2,5	1158,9	5177,1	2,2	P E 190 1158,92	T 90S2	27,0	
2,5	377,5	5178,4	1,7	P E 170 377,45	T 100A6	21,0	
2,5	377,5	5178,4	1,7	P E 170 377,45	T 90LB6	21,0	
2,5	1158,9	5176,8	1,6	P E 170 1158,92	T 90S2	21,0	
2,5	575,9	5198,2	2,4	P E 190 575,86	T 90L4	27,0	
2,5	1158,9	5198,9	2,2	P E 190 1158,92	T 80C2	27,0	
2,5	1158,9	5199,0	1,6	P E 170 1158,92	T 80C2	21,0	
2,5	380,8	5220,4	1,1	P E 150 380,82	T 90LB6	16,0	
2,5	380,8	5220,4	1,1	P E 150 380,82	T 100A6	16,0	
2,4	1183,2	5304,5	1,0	P E 150 1183,21	T 90S2	16,0	
2,4	1183,2	5304,5	1,0	P E 150 1183,21	T 80C2	16,0	
2,4	388,9	5328,2	2,3	P E 190 388,88	T 90LB6	27,0	
2,4	388,9	5328,2	2,3	P E 190 388,88	T 100A6	27,0	
2,4	387,9	5328,6	0,8	P E 132 387,9	T 90LB6	12,0	
2,4	387,9	5328,6	0,8	P E 132 387,9	T 100A6	12,0	
2,4	595,3	5373,1	1,1	P E 150 595,28	T 90L4	16,0	
2,4	595,2	5371,5	0,7	P E 132 595,18	T 90L4	12,0	
2,4	606,4	5463,3	2,3	P E 190 606,41	T 90L4	27,0	
2,4	606,4	5463,4	1,6	P E 170 606,41	T 90L4	21,0	
2,3	409,3	5606,3	1,6	P E 170 409,33	T 90LB6	21,0	
2,3	409,3	5606,3	1,6	P E 170 409,33	T 100A6	21,0	
2,3	1268,2	5679,9	2,0	P E 190 1268,2	T 90S2	27,0	
2,3	1268,2	5680,2	1,4	P E 170 1268,2	T 90S2	21,0	
2,3	1268,2	5704,4	2,0	P E 190 1268,2	T 80C2	27,0	
2,3	1268,2	5704,2	1,4	P E 170 1268,2	T 80C2	21,0	
2,2	420,9	5780,3	1,0	P E 150 420,86	T 100A6	16,0	
2,2	420,9	5780,3	1,0	P E 150 420,86	T 90LB6	16,0	
2,2	643,2	5806,5	1,0	P E 150 643,23	T 90L4	16,0	
2,2	1294,8	5806,5	0,9	P E 150 1294,77	T 80C2	16,0	
2,2	1294,8	5806,5	0,9	P E 150 1294,77	T 90S2	16,0	
2,2	425,6	5833,9	2,1	P E 190 425,55	T 90LB6	27,0	
2,2	425,6	5833,9	2,1	P E 190 425,55	T 100A6	27,0	
2,2	649,0	5859,4	1,5	P E 170 649	T 90L4	21,0	
2,2	660,4	5941,1	2,1	P E 190 660,37	T 90L4	27,0	
2,1	445,6	6111,4	1,5	P E 170 445,6	T 100A6	21,0	
2,1	445,6	6111,4	1,5	P E 170 445,6	T 90LB6	21,0	
2,1	448,2	6139,5	2,0	P E 190 448,15	T 100A6	27,0	
2,1	448,2	6139,5	2,0	P E 190 448,15	T 90LB6	27,0	
2,1	1395,7	6259,1	1,8	P E 190 1395,69	T 80C2	27,0	
2,1	1395,7	6259,1	1,8	P E 190 1395,69	T 90S2	27,0	
2,1	1395,7	6259,7	1,3	P E 170 1395,69	T 80C2	21,0	
2,1	1395,7	6259,7	1,3	P E 170 1395,69	T 90S2	21,0	
2,1	697,9	6287,8	1,4	P E 170 697,85	T 90L4	21,0	
2,1	458,3	6289,3	1,0	P E 150 458,31	T 90LB6	16,0	



1.5 kW



HIGH TECH *line* Motion

P ₁ Input Power kW	n ₂ Output speed min ⁻¹	IR ratio -	T ₂ Output torque Nm	FS' Service Factor -	 GEAR	 EU	P _{tn} Thermal capacity kW
-------------------------------------	---	------------------	---------------------------------------	----------------------------	---	---	---

1,5



2.1	458,3	6289,3	1,0	P E 150 458,31	T 100A6	16,0
2.1	697,5	6289,3	1,0	P E 150 697,51	T 90L4	16,0
2.0	704,9	6351,6	2,0	P E 190 704,94	T 90L4	27,0
2.0	1424,9	6383,0	0,8	P E 150 1424,94	T 90S2	16,0
2.0	1424,9	6413,3	0,8	P E 150 1424,94	T 80C2	16,0
2.0	483,2	6611,4	1,9	P E 190 483,23	T 100A6	27,0
2.0	483,2	6611,4	1,9	P E 190 483,23	T 90LB6	27,0
2.0	483,2	6611,2	1,4	P E 170 483,23	T 100A6	21,0
2.0	483,2	6611,2	1,4	P E 170 483,23	T 90LB6	21,0
1.9	743,0	6716,4	0,9	P E 150 743,02	T 90L4	16,0
1.9	756,8	6820,7	1,8	P E 190 756,78	T 90L4	27,0
1.9	756,8	6821,6	1,3	P E 170 756,78	T 90L4	21,0
1.9	501,5	6896,6	0,9	P E 150 501,52	T 100A6	16,0
1.9	501,5	6896,6	0,9	P E 150 501,52	T 90LB6	16,0
1.9	766,5	6896,6	0,9	P E 150 766,52	T 90L4	16,0
1.9	1546,4	6930,5	1,7	P E 190 1546,36	T 90S2	27,0
1.9	1546,4	6930,5	1,7	P E 190 1546,36	T 80C2	27,0
1.9	1546,4	6931,0	1,2	P E 170 1546,36	T 80C2	21,0
1.9	1546,4	6931,0	1,2	P E 170 1546,36	T 90S2	21,0
1.8	1578,8	7086,6	0,8	P E 150 1578,76	T 90S2	16,0
1.8	1578,8	7086,6	0,8	P E 150 1578,76	T 80C2	16,0
1.8	520,0	7124,0	1,3	P E 170 520,04	T 100A6	21,0
1.8	520,0	7124,0	1,3	P E 170 520,04	T 90LB6	21,0
1.8	526,2	7203,2	1,7	P E 190 526,24	T 90LB6	27,0
1.8	526,2	7203,2	1,7	P E 190 526,24	T 100A6	27,0
1.8	811,3	7325,0	1,2	P E 170 811,25	T 90L4	21,0
1.7	824,1	7408,1	1,7	P E 190 824,12	T 90L4	27,0
1.7	831,2	7493,8	0,8	P E 150 831,21	T 90L4	16,0
1.7	549,0	7537,7	0,8	P E 150 548,95	T 100A6	16,0
1.7	549,0	7537,7	0,8	P E 150 548,95	T 90LB6	16,0
1.7	559,2	7674,8	1,2	P E 170 559,19	T 100A6	21,0
1.7	559,2	7674,8	1,2	P E 170 559,19	T 90LB6	21,0
1.6	870,6	7860,3	0,8	P E 150 870,64	T 90L4	16,0
1.6	879,8	7908,1	1,6	P E 190 879,75	T 90L4	27,0
1.6	575,9	7908,1	1,6	P E 190 575,86	T 100A6	27,0
1.6	575,9	7908,1	1,6	P E 190 575,86	T 90LB6	27,0
1.6	879,8	7908,6	1,1	P E 170 879,75	T 90L4	21,0
1.6	595,3	8159,6	0,7	P E 150 595,28	T 100A6	16,0
1.6	595,3	8159,6	0,7	P E 150 595,28	T 90LB6	16,0
1.6	606,4	8318,5	1,5	P E 190 606,41	T 100A6	27,0
1.6	606,4	8318,5	1,5	P E 190 606,41	T 90LB6	27,0
1.6	606,4	8317,9	1,1	P E 170 606,41	T 100A6	21,0
1.6	606,4	8317,9	1,1	P E 170 606,41	T 90LB6	21,0
1.5	948,1	8538,9	0,7	P E 150 948,12	T 90L4	16,0
1.5	958,0	8652,5	1,4	P E 190 958,04	T 90L4	27,0
1.5	981,4	8829,3	1,0	P E 170 981,35	T 90L4	21,0
1.5	649,0	8893,3	1,0	P E 170 649	T 100A6	21,0
1.5	649,0	8893,3	1,0	P E 170 649	T 90LB6	21,0
1.4	660,4	9079,9	1,4	P E 190 660,37	T 90LB6	27,0
1.4	660,4	9079,9	1,4	P E 190 660,37	T 100A6	27,0
1.4	697,9	9547,4	0,9	P E 170 697,85	T 100A6	21,0
1.4	697,9	9547,4	0,9	P E 170 697,85	T 90LB6	21,0
1.3	1064,2	9620,3	1,3	P E 190 1064,22	T 90L4	27,0
1.3	1064,2	9622,2	0,9	P E 170 1064,22	T 90L4	21,0
1.3	704,9	9694,9	1,3	P E 190 704,94	T 90LB6	27,0
1.3	704,9	9694,9	1,3	P E 190 704,94	T 100A6	27,0
1.2	756,8	10399,3	1,2	P E 190 756,78	T 100A6	27,0
1.2	756,8	10399,3	1,2	P E 190 756,78	T 90LB6	27,0
1.2	756,8	10400,6	0,9	P E 170 756,78	T 90LB6	21,0
1.2	756,8	10400,6	0,9	P E 170 756,78	T 100A6	21,0
1.2	1158,9	10480,7	1,2	P E 190 1158,92	T 90L4	27,0
1.2	1158,9	10481,4	0,9	P E 170 1158,92	T 90L4	21,0
1.2	811,3	11111,1	0,8	P E 170 811,25	T 100A6	21,0
1.2	811,3	11111,1	0,8	P E 170 811,25	T 90LB6	21,0
1.1	824,1	11308,8	1,1	P E 190 824,12	T 100A6	27,0
1.1	824,1	11308,8	1,1	P E 190 824,12	T 90LB6	27,0
1.1	1268,2	11412,1	1,1	P E 190 1268,2	T 90L4	27,0
1.1	1268,2	11411,7	0,8	P E 170 1268,2	T 90L4	21,0
1.1	879,8	12050,1	1,0	P E 190 879,75	T 90LB6	27,0
1.1	879,8	12050,1	1,0	P E 190 879,75	T 100A6	27,0
1.1	879,8	12053,6	0,7	P E 170 879,75	T 100A6	21,0
1.1	879,8	12053,6	0,7	P E 170 879,75	T 90LB6	21,0
1.0	1395,7	12643,3	1,0	P E 190 1395,69	T 90L4	27,0
1.0	1395,7	12640,4	0,7	P E 170 1395,69	T 90L4	21,0
1.0	958,0	13157,9	1,0	P E 190 958,04	T 100A6	27,0
1.0	958,0	13157,9	1,0	P E 190 958,04	T 90LB6	27,0
0.9	1546,4	14013,5	0,9	P E 190 1546,36	T 90L4	27,0
0.9	1064,2	14648,4	0,9	P E 190 1064,22	T 90LB6	27,0
0.9	1064,2	14648,4	0,9	P E 190 1064,22	T 100A6	27,0
0.8	1158,9	15916,8	0,8	P E 190 1158,92	T 90LB6	27,0
0.8	1158,9	15916,8	0,8	P E 190 1158,92	T 100A6	27,0
0.7	1268,2	17425,7	0,7	P E 190 1268,2	T 100A6	27,0
0.7	1268,2	17425,7	0,7	P E 190 1268,2	T 90LB6	27,0



P ₁ Input Power kW	n ₂ Output speed min ⁻¹	IR ratio -	T2 Output torque Nm	FS' Service Factor -	 GEAR	 EU	P _{tn} Thermal capacity kW
1,8	718,0	3,9	22,7	4,0	P - 63 2 3,9	T 80D2	5,6
	651,2	4,3	25,1	3,8	P - 63 2 4,3	T 80D2	5,6
	560,0	5,0	29,2	3,8	P - 63 2 5	T 80D2	5,6
	500,0	5,6	32,7	3,8	P - 63 2 5,6	T 80D2	5,6
	476,7	3,0	34,3	2,3	P - 63 2 3	T 90LB4	5,6
	451,6	6,2	36,2	3,6	P - 63 2 6,2	T 80D2	5,6
	430,8	6,5	37,9	3,6	P - 63 2 6,5	T 80D2	5,6
	378,4	7,4	43,2	3,2	P - 63 2 7,4	T 80D2	5,6
	366,7	3,9	44,5	2,5	P - 63 2 3,9	T 90LB4	5,6
	350,0	8,0	46,7	3,2	P - 63 2 8	T 80D2	5,6
	332,6	4,3	49,1	2,6	P - 63 2 4,3	T 90LB4	5,6
	311,1	9,0	52,5	3,1	P - 63 2 9	T 80D2	5,6
	286,0	5,0	57,1	2,5	P - 63 2 5	T 90LB4	5,6
	269,8	5,3	60,5	3,5	P - 71 2 5,3	T 90LB4	7,5
	269,2	10,4	60,7	3,0	P - 63 2 10,4	T 80D2	5,6
	255,4	5,6	64,0	2,5	P - 63 2 5,6	T 90LB4	5,6
	237,3	11,8	68,8	2,8	P - 63 2 11,8	T 80D2	5,6
	230,7	6,2	70,8	3,7	P - 71 2 6,2	T 90LB4	7,5
	230,7	6,2	70,8	2,3	P - 63 2 6,2	T 90LB4	5,6
	227,6	12,3	71,7	3,9	P - 71 2 12,3	T 80D2	7,5
	220,0	6,5	74,2	2,3	P - 63 2 6,5	T 90LB4	5,6
	207,4	13,5	78,7	2,6	P - 63 2 13,5	T 80D2	5,6
	201,4	7,1	81,1	3,7	P - 71 2 7,1	T 90LB4	7,5
	194,4	14,4	84,0	2,3	P - 63 2 14,4	T 80D2	5,6
	193,2	7,4	84,5	2,1	P - 63 2 7,4	T 90LB4	5,6
	178,8	8,0	91,4	2,2	P - 63 2 8	T 90LB4	5,6
	165,7	16,9	98,6	2,3	P - 63 2 16,9	T 80D2	5,6
	164,4	8,7	99,4	3,1	P - 71 2 8,7	T 90LB4	7,5
	162,8	17,2	98,2	0,9	P L 25 3 17,2	T 80D2	4,0
	158,9	9,0	102,8	2,0	P - 63 2 9	T 90LB4	5,6
	149,7	18,7	109,1	3,9	P - 71 2 18,7	T 80D2	7,5
	141,4	19,8	115,5	2,0	P - 63 2 19,8	T 80D2	5,6
	140,2	10,2	116,5	3,6	P - 71 2 10,2	T 90LB4	7,5
	138,6	20,2	117,8	3,6	P - 71 2 20,2	T 80D2	7,5
	137,5	10,4	118,8	1,9	P - 63 2 10,4	T 90LB4	5,6
	137,3	20,4	116,5	0,8	P L 25 3 20,4	T 80D2	4,0
	136,6	20,5	119,5	1,8	P - 63 2 20,5	T 80D2	5,6
	127,9	21,9	127,7	3,3	P - 71 2 21,9	T 80D2	7,5
	123,3	11,6	132,5	3,2	P - 71 2 11,6	T 90LB4	7,5
	121,2	11,8	134,8	1,7	P - 63 2 11,8	T 90LB4	5,6
	117,2	23,9	139,3	3,9	P - 80 2 23,9	T 80D2	7,5
	116,3	12,3	140,5	2,1	P - 71 2 12,3	T 90LB4	7,5
	116,2	24,1	140,6	1,5	P - 63 2 24,1	T 80D2	5,6
	110,7	25,3	147,6	2,4	P - 71 2 25,3	T 80D2	7,5
	107,3	26,1	152,2	1,4	P - 63 2 26,1	T 80D2	5,6
	106,5	26,3	153,4	3,5	P - 80 2 26,3	T 80D2	7,5
	106,1	26,4	150,7	3,6	P L 65 3 26,4	T 80D2	8,0
	105,9	13,5	154,2	1,6	P - 63 2 13,5	T 90LB4	5,6
	102,1	14,0	159,9	2,8	P - 71 2 14	T 90LB4	7,5
	99,3	14,4	164,5	1,3	P - 63 2 14,4	T 90LB4	5,6
	98,7	28,4	165,5	3,3	P - 80 2 28,38	T 80D2	7,5
	97,6	28,7	163,8	1,4	P L 45 3 28,7	T 80D2	6,5
	97,2	28,8	168,0	2,4	P - 71 2 28,8	T 80D2	7,5
	92,9	30,2	175,8	3,1	P - 80 2 30,15	T 80D2	7,5
	88,8	16,1	183,9	2,5	P - 71 2 16,1	T 90LB4	7,5
	88,3	31,7	184,9	1,2	P - 63 2 31,7	T 80D2	5,6
	87,5	32,0	182,7	1,2	P L 45 3 32	T 80D2	6,5
	86,7	32,3	184,4	2,9	P L 65 3 32,3	T 80D2	8,0
84,6	16,9	193,0	1,3	P - 63 2 16,9	T 90LB4	5,6	
84,6	33,1	193,0	1,9	P - 71 2 33,1	T 80D2	7,5	
82,7	17,3	197,6	2,3	P - 71 2 17,3	T 90LB4	7,5	
80,5	34,8	202,9	2,7	P - 80 2 34,79	T 80D2	7,5	
80,0	35,0	204,1	3,4	P - 90 2 35	T 80D2	10,5	
76,5	36,6	213,5	1,1	P - 63 2 36,6	T 80D2	5,6	
76,5	18,7	213,6	2,2	P - 71 2 18,7	T 90LB4	7,5	
75,1	37,3	217,5	1,7	P - 71 2 37,3	T 80D2	7,5	
74,5	37,6	214,7	2,5	P L 65 3 37,6	T 80D2	8,0	
73,8	38,0	221,4	2,4	P - 80 2 37,95	T 80D2	7,5	
73,4	19,5	222,6	2,7	P - 80 2 19,49	T 90LB4	7,5	
72,4	38,7	221,0	3,2	P - 90 3 38,7	T 80D2	7,5	
72,2	19,8	226,1	1,1	P - 63 2 19,8	T 90LB4	5,6	
70,9	39,5	225,5	1,9	P - 71 3 39,5	T 80D2	5,4	
70,8	20,2	230,7	2,0	P - 71 2 20,2	T 90LB4	7,5	
70,7	39,6	231,2	1,9	P - 80 2 39,63	T 80D2	7,5	
69,8	20,5	234,0	1,0	P - 63 2 20,5	T 90LB4	5,6	
69,7	20,5	234,5	2,6	P - 80 2 20,53	T 90LB4	7,5	
69,3	40,4	235,6	2,5	P - 90 2 40,4	T 80D2	10,5	
69,1	40,5	236,1	0,9	P - 63 2 40,5	T 80D2	5,6	
68,5	40,9	233,6	1,0	P L 45 3 40,9	T 80D2	6,5	
66,8	21,4	244,4	3,7	P - 90 2 21,4	T 90LB4	10,5	
66,6	21,5	245,1	2,4	P - 80 2 21,46	T 90LB4	7,5	
66,3	42,3	246,4	1,8	P - 80 2 42,25	T 80D2	7,5	
65,3	21,9	250,1	1,8	P - 71 2 21,9	T 90LB4	7,5	
64,5	43,4	247,8	0,9	P - 63 3 43,4	T 80D2	4,0	
64,1	43,7	249,5	3,0	P - 90 3 43,7	T 80D2	7,5	
63,5	44,1	257,2	2,7	P - 90 2 44,1	T 80D2	10,5	
62,6	44,7	260,7	1,5	P - 71 2 44,7	T 80D2	7,5	
62,0	45,2	263,6	0,8	P - 63 2 45,2	T 80D2	5,6	
61,3	45,7	261,0	0,9	P L 45 3 45,7	T 80D2	6,5	
60,9	46,0	262,6	2,1	P L 65 3 46	T 80D2	8,0	
60,1	23,8	266,1	3,0	P L 85 3 23,8	T 90LB4	11,0	
59,9	23,9	272,8	2,2	P - 80 2 23,89	T 90LB4	7,5	
59,6	47,0	268,5	0,7	P - 63 3 47	T 80D2	4,0	
59,3	24,1	275,3	0,8	P - 63 2 24,1	T 90LB4	5,6	
58,2	48,1	280,8	1,6	P - 80 2 48,14	T 80D2	7,5	





HIGH TECH *line* Motion

P ₁ Input Power kW	n ₂ Output speed min ⁻¹	IR ratio -	T ₂ Ouput torque Nm	FS' Service Factor -			P _{tn} Thermal capacity kW
	57.4	48.8	278.6	2.7	P - 90 3 48.8	T 80D2	7.5
	57.2	25.0	285.5	3.2	P - 90 2 25	T 90LB4	10.5
	56.5	25.3	289.0	1.4	P - 71 2 25.3	T 90LB4	7.5
	55.5	50.5	294.5	1.4	P - 71 2 50.5	T 80D2	7.5
	55.0	50.9	296.7	1.1	P - 80 2 50.87	T 80D2	7.5
	55.0	50.9	296.9	2.4	P - 90 2 50.9	T 80D2	10.5
	54.8	26.1	298.1	0.8	P - 63 2 26.1	T 90LB4	5.6
	54.4	26.3	300.3	2.0	P - 80 2 26.3	T 90LB4	7.5
	54.2	26.4	295.1	2.0	P L 65 3 26.4	T 90LB4	8.0
	53.0	52.8	301.6	0.7	P L 45 3 52.8	T 80D2	6.5
	52.5	53.3	304.4	0.7	P - 63 3 53.3	T 80D2	4.0
	52.3	53.5	305.5	1.4	P - 71 3 53.5	T 80D2	5.4
	52.0	27.5	307.4	3.1	P L 85 3 27.5	T 90LB4	11.0
	51.6	27.7	316.3	2.9	P - 90 2 27.7	T 90LB4	10.5
	51.6	54.3	310.0	1.7	P L 65 3 54.3	T 80D2	8.0
	50.7	55.2	315.2	2.3	P - 90 3 55.2	T 80D2	7.5
	50.5	55.5	323.6	1.0	P - 80 2 55.49	T 80D2	7.5
	50.4	28.4	324.1	1.9	P - 80 2 28.38	T 90LB4	7.5
	49.8	28.7	320.7	0.8	P L 45 3 28.7	T 90LB4	6.5
	49.7	56.3	321.5	3.4	P L 85 3 56.3	T 80D2	11.0
	49.7	28.8	329.0	1.4	P - 71 2 28.8	T 90LB4	7.5
	49.0	57.2	326.5	0.7	P - 63 3 57.2	T 80D2	4.0
	47.4	30.2	344.3	1.7	P - 80 2 30.15	T 90LB4	7.5
	46.9	30.5	348.3	2.6	P - 90 2 30.5	T 90LB4	10.5
	46.1	60.8	347.1	1.2	P - 71 3 60.8	T 80D2	5.4
	45.3	61.8	360.5	0.9	P - 80 2 61.79	T 80D2	7.5
	44.9	62.3	355.7	2.1	P - 90 3 62.3	T 80D2	7.5
	44.7	62.7	358.0	4.0	P - 112 3 62.7	T 80D2	11.8
	44.3	32.3	361.1	1.7	P L 65 3 32.3	T 90LB4	8.0
	43.8	63.9	364.8	3.0	P L 85 3 63.9	T 80D2	11.0
	43.6	64.2	366.6	1.1	P - 71 3 64.2	T 80D2	5.4
	43.5	64.4	367.6	1.5	P L 65 3 64.4	T 80D2	8.0
	43.2	33.1	378.1	1.1	P - 71 2 33.1	T 90LB4	7.5
	41.5	67.4	384.9	3.7	P - 112 3 67.4	T 80D2	11.8
	41.5	34.5	385.7	2.9	P L 85 3 34.5	T 90LB4	11.0
	41.1	34.8	397.4	1.5	P - 80 2 34.79	T 90LB4	7.5
	40.9	35.0	399.7	2.1	P - 90 2 35	T 90LB4	10.5
	39.7	70.6	403.1	2.0	P - 90 3 70.6	T 80D2	7.5
	38.6	72.6	414.5	3.6	P - 112 3 72.6	T 80D2	11.8
	38.3	37.3	425.9	1.0	P - 71 2 37.3	T 90LB4	7.5
	38.0	37.6	420.4	1.4	P L 65 3 37.6	T 90LB4	8.0
	37.8	74.0	422.5	2.6	P L 85 3 74	T 80D2	11.0
	37.7	38.0	433.4	1.4	P - 80 2 37.95	T 90LB4	7.5
	37.6	74.4	424.8	1.3	P L 65 3 74.4	T 80D2	8.0
	37.1	75.4	430.5	1.0	P - 71 3 75.4	T 80D2	5.4
	37.0	38.7	432.7	2.8	P L 85 3 38.7	T 90LB4	11.0
	37.0	38.7	432.6	2.1	P - 90 3 38.7	T 90LB4	7.5
	36.7	76.3	435.6	1.8	P - 90 3 76.3	T 80D2	7.5
	36.2	39.5	441.6	1.0	P - 71 3 39.5	T 90LB4	5.4
	36.1	39.6	452.7	1.1	P - 80 2 39.63	T 90LB4	7.5
	35.7	78.5	448.2	3.3	P - 112 3 78.5	T 80D2	11.8
	35.4	40.4	461.4	1.6	P - 90 2 40.4	T 90LB4	10.5
	33.9	42.3	482.3	1.0	P - 80 2 42.25	T 90LB4	7.5
	33.8	82.8	472.8	1.7	P - 90 3 82.8	T 80D2	7.5
	33.0	84.9	484.8	2.2	P L 85 3 84.9	T 80D2	11.0
	32.8	85.4	487.5	1.1	P L 65 3 85.4	T 80D2	8.0
	32.7	43.7	488.6	2.5	P L 85 3 43.7	T 90LB4	11.0
	32.7	43.7	488.7	1.9	P - 90 3 43.7	T 90LB4	7.5
	32.4	44.1	503.6	1.7	P - 90 2 44.1	T 90LB4	10.5
	32.3	86.8	495.4	0.8	P - 71 3 86.8	T 80D2	5.4
	32.1	87.3	498.5	3.0	P - 112 3 87.3	T 80D2	11.8
	32.0	44.7	510.5	0.9	P - 71 2 44.7	T 90LB4	7.5
	31.1	46.0	514.3	1.2	P L 65 3 46	T 90LB4	8.0
	30.6	91.5	522.5	0.8	P - 71 3 91.5	T 80D2	5.4
	30.0	93.3	532.7	1.5	P - 90 3 93.3	T 80D2	7.5
	29.9	93.6	534.4	2.8	P - 112 3 93.6	T 80D2	11.8
	29.7	48.1	549.8	0.9	P - 80 2 48.14	T 90LB4	7.5
	29.3	48.8	545.6	1.7	P - 90 3 48.8	T 90LB4	7.5
	28.6	98.0	559.6	1.9	P L 85 3 98	T 80D2	11.0
	28.5	98.4	561.7	3.7	P L 95 3 98.4	T 80D2	16.0
	28.3	50.5	576.6	0.8	P - 71 2 50.5	T 90LB4	7.5
	28.3	99.0	565.4	1.0	P L 65 3 99	T 80D2	8.0
	28.2	99.3	566.7	0.7	P - 71 3 99.3	T 80D2	5.4
	28.1	50.9	581.3	1.5	P - 90 2 50.9	T 90LB4	10.5
	27.9	51.2	572.4	3.0	P - 112 3 51.2	T 90LB4	11.8
	27.8	100.6	574.4	1.4	P - 90 3 100.6	T 80D2	7.5
	26.7	53.5	598.3	0.8	P - 71 3 53.5	T 90LB4	5.4
	26.3	54.3	607.1	1.0	P L 65 3 54.3	T 90LB4	8.0
	26.1	54.7	611.6	3.4	P L 95 3 54.7	T 90LB4	16.0
	25.9	55.2	616.9	1.5	P - 90 3 55.2	T 90LB4	7.5
	25.8	108.4	619.0	2.4	P - 112 3 108.4	T 80D2	11.8
	25.7	108.9	621.9	1.5	P - 90 3 108.9	T 80D2	7.5
	25.4	56.3	629.4	1.9	P L 85 3 56.3	T 90LB4	11.0
	24.7	113.5	648.0	1.7	P L 85 3 113.5	T 80D2	11.0
	24.4	58.5	654.1	2.7	P - 112 3 58.5	T 90LB4	11.8
	24.1	116.0	662.2	3.2	P L 95 3 116	T 80D2	16.0
	24.1	116.2	663.5	0.8	P L 65 3 116.2	T 80D2	8.0
	23.9	117.2	669.1	2.2	P - 112 3 117.2	T 80D2	11.8
	23.0	62.3	696.7	1.3	P - 90 3 62.3	T 90LB4	7.5
	22.8	62.7	700.9	2.5	P - 112 3 62.7	T 90LB4	11.8
	22.4	125.0	713.7	1.3	P - 90 3 125	T 80D2	7.5
	22.4	63.9	714.3	1.7	P L 85 3 63.9	T 90LB4	11.0
	22.2	64.4	720.0	0.8	P L 65 3 64.4	T 90LB4	8.0
	21.9	65.4	731.0	3.0	P L 95 3 65.4	T 90LB4	16.0
	21.8	128.3	732.7	2.0	P - 112 3 128.3	T 80D2	11.8

1,8





P ₁ Input Power kW	n ₂ Output speed min ⁻¹	IR ratio -	T2 Ouput torque Nm	FS' Service Factor -	 GEAR	 EU	P _{tn} Thermal capacity kW
1,8	21,2	67,4	753,4	2,3	P - 112 3 67,4	T 90LB4	11,8
	20,8	134,4	767,5	2,7	P L 95 3 134,4	T 80D2	16,0
	20,5	136,8	781,0	1,4	P L 85 3 136,8	T 80D2	11,0
	20,3	70,6	789,4	1,2	P - 90 3 70,6	T 90LB4	7,5
	20,2	70,7	798,8	3,6	P L 105 3 70,7	T 90LB4	22,0
	20,0	139,9	807,5	3,8	P L 105 3 139,9	T 80D2	22,0
	19,9	141,0	804,9	1,1	P - 90 3 141	T 80D2	7,5
	19,7	72,6	811,4	2,2	P - 112 3 72,6	T 90LB4	11,8
	19,3	74,0	827,6	1,5	P L 85 3 74	T 90LB4	11,0
	19,3	74,2	829,7	2,9	P L 95 3 74,2	T 90LB4	16,0
	19,2	74,4	832,0	0,7	P L 65 3 74,4	T 90LB4	8,0
	18,9	148,0	845,1	1,8	P - 112 3 148	T 80D2	11,8
	18,7	76,3	853,1	1,1	P - 90 3 76,3	T 90LB4	7,5
	18,5	151,5	837,2	3,8	P E 125 151,48	T 80D2	10,5
	18,2	78,5	877,4	2,0	P - 112 3 78,5	T 90LB4	11,8
	18,2	153,9	888,3	3,5	P L 105 3 153,9	T 80D2	22,0
	18,0	155,2	886,4	1,0	P - 90 3 155,2	T 80D2	7,5
	17,9	79,8	901,7	3,3	P L 105 3 79,8	T 90LB4	22,0
	17,7	158,6	876,1	4,0	P E 132 158,56	T 80D2	12,0
	17,6	158,9	907,3	2,3	P L 95 3 158,9	T 80D2	16,0
	17,5	160,0	913,5	1,2	P L 85 3 160	T 80D2	11,0
	17,3	82,8	925,9	1,0	P - 90 3 82,8	T 90LB4	7,5
	16,8	84,9	949,5	1,3	P L 85 3 84,9	T 90LB4	11,0
	16,8	167,0	953,4	1,6	P - 112 3 167	T 80D2	11,8
	16,6	86,0	961,3	2,5	P L 95 3 86	T 90LB4	16,0
	16,6	169,2	976,4	3,2	P L 105 3 169,2	T 80D2	22,0
	16,4	87,3	976,1	1,8	P - 112 3 87,3	T 90LB4	11,8
	16,4	87,4	987,6	3,1	P L 105 3 87,4	T 90LB4	22,0
	16,1	173,5	958,6	3,7	P E 132 173,51	T 80D2	12,0
	15,8	90,6	1024,0	3,1	P L 105 3 90,6	T 90LB4	22,0
	15,7	178,1	1016,8	0,9	P - 90 3 178,1	T 80D2	7,5
	15,3	93,3	1042,6	0,9	P - 90 3 93,3	T 90LB4	7,5
	15,3	93,6	1046,2	1,7	P - 112 3 93,6	T 90LB4	11,8
	15,2	184,6	1053,7	1,0	P L 85 3 184,6	T 80D2	11,0
	15,1	185,2	1068,6	2,9	P L 105 3 185,2	T 80D2	22,0
	15,1	185,6	1026,0	3,1	P E 125 185,62	T 80D2	10,5
	15,0	187,1	1067,8	2,0	P L 95 3 187,1	T 80D2	16,0
	14,7	191,0	1055,3	3,3	P E 132 190,95	T 80D2	12,0
	14,6	191,5	1093,6	1,4	P - 112 3 191,5	T 80D2	11,8
	14,6	98,0	1095,9	1,1	P L 85 3 98	T 90LB4	11,0
	14,5	98,4	1100,4	2,2	P L 95 3 98,4	T 90LB4	16,0
	14,2	100,4	1134,7	2,9	P L 105 3 100,4	T 90LB4	22,0
	14,2	100,6	1125,0	0,8	P - 90 3 100,6	T 90LB4	7,5
	14,0	199,5	1138,6	1,8	P L 95 3 199,5	T 80D2	16,0
	13,9	201,0	1147,9	0,8	P - 90 3 201	T 80D2	7,5
	13,7	204,1	1165,5	0,9	P L 85 3 204,1	T 80D2	11,0
	13,2	108,4	1212,0	1,4	P - 112 3 108,4	T 90LB4	11,8
	13,2	212,6	1174,7	3,0	P E 132 212,62	T 80D2	12,0
	13,1	108,9	1217,8	0,7	P - 90 3 108,9	T 90LB4	7,5
	13,1	214,0	1221,9	0,9	P L 85 3 214	T 80D2	11,0
12,9	110,5	1248,7	2,6	P L 105 3 110,5	T 90LB4	22,0	
12,7	220,9	1260,5	1,2	P - 112 3 220,9	T 80D2	11,8	
12,7	221,3	1263,8	1,7	P L 95 3 221,3	T 80D2	16,0	
12,6	113,5	1269,1	0,9	P L 85 3 113,5	T 90LB4	11,0	
12,5	224,4	1280,7	0,7	P - 90 3 224,4	T 80D2	7,5	
12,3	116,0	1296,5	1,9	P L 95 3 116	T 90LB4	16,0	
12,3	227,3	1255,7	2,5	P E 125 227,28	T 80D2	10,5	
12,2	117,2	1310,3	1,3	P - 112 3 117,2	T 90LB4	11,8	
12,0	234,0	1292,6	2,7	P E 132 234	T 80D2	12,0	
12,0	234,0	1335,2	0,8	P L 85 3 234	T 80D2	11,0	
11,6	241,0	1375,4	1,1	P - 112 3 241	T 80D2	11,8	
11,5	243,2	1389,2	1,5	P L 95 3 243,2	T 80D2	16,0	
11,3	126,1	1424,9	2,4	P L 105 3 126,1	T 90LB4	22,0	
11,2	251,2	1387,6	2,3	P E 125 251,17	T 80D2	10,5	
11,2	128,3	1433,8	1,2	P - 112 3 128,3	T 90LB4	11,8	
10,8	260,3	1437,7	2,4	P E 132 260,34	T 80D2	12,0	
10,6	134,4	1502,6	1,6	P L 95 3 134,4	T 90LB4	16,0	
10,6	265,4	1466,5	3,7	P E 150 265,44	T 80D2	16,0	
10,5	266,2	1519,9	1,4	P L 95 3 266,2	T 80D2	16,0	
10,5	136,8	1529,7	0,8	P L 85 3 136,8	T 90LB4	11,0	
10,4	270,0	1541,6	0,7	P L 85 3 270	T 80D2	11,0	
10,2	273,5	1510,9	2,0	P E 125 273,48	T 80D2	10,5	
10,2	139,9	1581,0	2,2	P L 105 3 139,9	T 90LB4	22,0	
10,1	278,1	1587,3	0,9	P - 112 3 278,1	T 80D2	11,8	
10,0	280,9	1551,7	3,5	P E 150 280,94	T 80D2	16,0	
9,8	286,5	1583,7	2,2	P E 132 286,51	T 80D2	12,0	
9,7	148,0	1655,3	1,1	P - 112 3 148	T 90LB4	11,8	
9,4	151,5	1638,9	2,1	P E 125 151,48	T 90LB4	10,5	
9,3	153,9	1739,5	2,0	P L 105 3 153,9	T 90LB4	22,0	
9,1	307,7	1700,1	1,9	P E 125 307,71	T 80D2	10,5	
9,0	310,5	1715,2	3,1	P E 150 310,47	T 80D2	16,0	
9,0	158,6	1715,1	2,3	P E 132 158,56	T 90LB4	12,0	
9,0	158,9	1776,3	1,4	P L 95 3 158,9	T 90LB4	16,0	
8,8	316,6	1750,0	2,0	P E 132 316,62	T 80D2	12,0	
8,6	325,0	1794,7	3,0	P E 150 325	T 80D2	16,0	
8,6	167,0	1867,2	0,9	P - 112 3 167	T 90LB4	11,8	
8,5	169,2	1912,0	1,8	P L 105 3 169,2	T 90LB4	22,0	
8,2	173,5	1877,4	2,1	P E 132 173,51	T 90LB4	12,0	
8,0	350,3	1936,3	1,3	P E 125 350,27	T 80D2	10,5	
7,9	352,5	1948,7	1,8	P E 132 352,46	T 80D2	12,0	
7,8	359,2	1983,3	2,7	P E 150 359,17	T 80D2	16,0	
7,7	185,2	2093,0	1,7	P L 105 3 185,2	T 90LB4	22,0	
7,7	185,6	2008,9	1,7	P E 125 185,62	T 90LB4	10,5	
7,6	187,1	2092,0	1,1	P L 95 3 187,1	T 90LB4	16,0	
7,5	191,0	2065,4	1,9	P E 132 190,95	T 90LB4	12,0	



HIGH TECH *line* Motion



P ₁ Input Power kW	n ₂ Output speed min ⁻¹	IR ratio -	T ₂ Output torque Nm	FS' Service Factor -			P _{tn} Thermal capacity kW
-------------------------------------	---	------------------	---------------------------------------	----------------------------	--	--	---

1,8	7,5	191,5	2139,9	0,8	P - 112 3 191,5	T 90LB4	11,8
	7,4	377,5	2084,9	3,9	P E 170 377,45	T 80D2	21,0
	7,4	380,8	2104,8	2,6	P E 150 380,82	T 80D2	16,0
	7,3	383,9	2122,3	1,5	P E 125 383,88	T 80D2	10,5
	7,2	387,9	2142,9	1,6	P E 132 387,9	T 80D2	12,0
	7,2	199,5	2229,1	1,1	P L 95 3 199,5	T 90LB4	16,0
	6,8	409,3	2261,9	3,6	P E 170 409,33	T 80D2	21,0
	6,7	212,6	2298,9	1,7	P E 132 212,62	T 90LB4	12,0
	6,7	416,3	2298,5	1,4	P E 125 416,28	T 80D2	10,5
	6,7	215,0	2326,6	3,9	P E 170 215,02	T 90LB4	21,0
	6,7	420,9	2326,5	2,3	P E 150 420,86	T 80D2	16,0
	6,6	216,6	2344,3	2,6	P E 150 216,61	T 90LB4	16,0
	6,5	220,9	2470,6	0,7	P - 112 3 220,9	T 90LB4	11,8
	6,5	221,3	2474,2	1,0	P L 95 3 221,3	T 90LB4	16,0
	6,4	439,7	2428,7	1,4	P E 132 439,72	T 80D2	12,0
	6,3	227,3	2460,0	1,4	P E 125 227,28	T 90LB4	10,5
	6,3	445,6	2463,7	3,3	P E 170 445,6	T 80D2	21,0
	6,1	458,3	2531,9	2,1	P E 150 458,31	T 80D2	16,0
	6,1	234,0	2531,6	1,6	P E 132 234	T 90LB4	12,0
	6,1	461,9	2553,2	1,3	P E 125 461,93	T 80D2	10,5
	5,9	243,2	2718,7	0,9	P L 95 3 243,2	T 90LB4	16,0
	5,8	246,9	2671,9	3,4	P E 170 246,94	T 90LB4	21,0
	5,8	483,2	2671,8	3,0	P E 170 483,23	T 80D2	21,0
	5,8	483,9	2671,8	1,3	P E 132 483,92	T 80D2	12,0
	5,7	251,2	2719,0	1,3	P E 125 251,17	T 90LB4	10,5
	5,6	501,5	2772,4	1,9	P E 150 501,52	T 80D2	16,0
	5,5	260,3	2818,0	1,4	P E 132 260,34	T 90LB4	12,0
	5,4	265,4	2870,1	2,1	P E 150 265,44	T 90LB4	16,0
	5,4	519,6	2870,0	1,1	P E 125 519,6	T 80D2	10,5
	5,4	520,0	2875,7	2,8	P E 170 520,04	T 80D2	21,0
	5,4	266,2	2977,3	0,8	P L 95 3 266,2	T 90LB4	16,0
	5,3	524,8	2896,6	1,2	P E 132 524,76	T 80D2	12,0
	5,3	526,2	2908,1	4,0	P E 190 526,24	T 80D2	27,0
	5,3	268,8	2907,9	3,1	P E 170 268,78	T 90LB4	21,0
	5,2	273,5	2958,4	1,1	P E 125 273,48	T 90LB4	10,5
	5,2	543,9	3004,3	1,2	P E 132 543,89	T 80D2	12,0
	5,1	549,0	3033,7	1,8	P E 150 548,95	T 80D2	16,0
	5,1	280,9	3039,7	2,0	P E 150 280,94	T 90LB4	16,0
	5,0	559,2	3088,3	2,6	P E 170 559,19	T 80D2	21,0
	5,0	286,5	3100,8	1,3	P E 132 286,51	T 90LB4	12,0
	4,9	291,5	3150,8	4,0	P E 190 291,48	T 90LB4	27,0
	4,9	575,9	3183,1	3,6	P E 190 575,86	T 80D2	27,0
	4,8	580,5	3210,0	0,8	P E 125 580,52	T 80D2	10,5
	4,7	302,0	3264,2	2,8	P E 170 301,96	T 90LB4	21,0
	4,7	302,5	3270,8	3,8	P E 190 302,51	T 90LB4	27,0
	4,7	595,3	3291,6	1,6	P E 150 595,28	T 80D2	16,0
	4,7	595,2	3291,5	1,1	P E 132 595,18	T 80D2	12,0
	4,7	307,7	3326,3	1,1	P E 125 307,71	T 90LB4	10,5
	4,6	606,4	3348,4	3,4	P E 190 606,41	T 80D2	27,0
	4,6	606,4	3348,6	2,4	P E 170 606,41	T 80D2	21,0
4,6	310,5	3356,1	1,8	P E 150 310,47	T 90LB4	16,0	
4,5	316,6	3422,1	1,2	P E 132 316,62	T 90LB4	12,0	
4,5	317,4	3430,4	3,6	P E 190 317,42	T 90LB4	27,0	
4,5	625,2	3453,2	0,9	P E 125 625,23	T 80D2	10,5	
4,4	325,0	3515,6	1,7	P E 150 325	T 90LB4	16,0	
4,4	643,2	3556,5	1,5	P E 150 643,23	T 80D2	16,0	
4,3	329,4	3564,6	3,5	P E 190 329,43	T 90LB4	27,0	
4,3	330,6	3573,0	2,5	P E 170 330,6	T 90LB4	21,0	
4,3	648,4	3582,1	0,9	P E 125 648,43	T 80D2	10,5	
4,3	649,0	3589,4	2,3	P E 170 649	T 80D2	21,0	
4,3	655,0	3622,8	1,0	P E 132 655,01	T 80D2	12,0	
4,2	660,4	3648,9	3,2	P E 190 660,37	T 80D2	27,0	
4,1	347,4	3755,0	3,3	P E 190 347,35	T 90LB4	27,0	
4,1	350,3	3791,0	0,7	P E 125 350,27	T 90LB4	10,5	
4,1	352,5	3811,5	1,0	P E 132 352,46	T 90LB4	12,0	
4,0	697,9	3858,2	2,1	P E 170 697,85	T 80D2	21,0	
4,0	697,5	3858,7	1,4	P E 150 697,51	T 80D2	16,0	
4,0	357,1	3868,0	3,2	P E 190 357,1	T 90LB4	27,0	
4,0	357,1	3868,2	2,3	P E 170 357,1	T 90LB4	21,0	
4,0	359,2	3887,7	1,5	P E 150 359,17	T 90LB4	16,0	
4,0	704,9	3896,8	3,0	P E 190 704,94	T 80D2	27,0	
3,8	377,5	4081,6	2,2	P E 170 377,45	T 90LB4	21,0	
3,8	743,0	4103,0	1,3	P E 150 743,02	T 80D2	16,0	
3,8	742,8	4104,2	0,9	P E 132 742,75	T 80D2	12,0	
3,8	380,8	4114,3	1,5	P E 150 380,82	T 90LB4	16,0	
3,7	383,9	4147,5	0,8	P E 125 383,88	T 90LB4	10,5	
3,7	756,8	4181,0	2,8	P E 190 756,78	T 80D2	27,0	
3,7	756,8	4181,2	1,9	P E 170 756,78	T 80D2	21,0	
3,7	387,9	4193,4	1,0	P E 132 387,9	T 90LB4	12,0	
3,7	388,9	4204,0	3,0	P E 190 388,88	T 90LB4	27,0	
3,7	766,5	4239,0	1,3	P E 150 766,52	T 80D2	16,0	
3,6	780,3	4308,2	0,7	P E 125 780,26	T 80D2	10,5	
3,5	409,3	4433,5	2,0	P E 170 409,33	T 90LB4	21,0	
3,5	811,3	4484,8	1,8	P E 170 811,25	T 80D2	21,0	
3,4	416,3	4496,8	0,8	P E 125 416,28	T 90LB4	10,5	
3,4	817,4	4509,7	0,8	P E 132 817,42	T 80D2	12,0	
3,4	824,1	4550,5	2,5	P E 190 824,12	T 80D2	27,0	
3,4	420,9	4551,2	1,3	P E 150 420,86	T 90LB4	16,0	
3,4	831,2	4591,4	1,2	P E 150 831,21	T 80D2	16,0	
3,4	425,6	4604,1	2,7	P E 190 425,55	T 90LB4	27,0	
3,3	439,7	4758,8	0,8	P E 132 439,72	T 90LB4	12,0	
3,2	870,6	4804,7	1,1	P E 150 870,64	T 80D2	16,0	
3,2	445,6	4820,0	1,9	P E 170 445,6	T 90LB4	21,0	
3,2	448,2	4850,2	2,6	P E 190 448,15	T 90LB4	27,0	
3,2	879,8	4864,9	2,4	P E 190 879,75	T 80D2	27,0	



P ₁ Input Power kW	n ₂ Output speed min ⁻¹	IR ratio -	T2 Ouput torque Nm	FS' Service Factor -	 GEAR	 EU	P _{tn} Thermal capacity kW
1,8	3,2	879,8	4864,9	1,7	P E 170 879,75	T 80D2	21,0
	3,1	458,3	4958,7	1,2	P E 150 458,31	T 90LB4	16,0
	3,1	461,9	4992,1	0,7	P E 125 461,93	T 90LB4	10,5
	3,0	483,2	5226,5	2,4	P E 190 483,23	T 90LB4	27,0
	3,0	483,2	5227,5	1,7	P E 170 483,23	T 90LB4	21,0
	3,0	483,9	5225,0	0,8	P E 132 483,92	T 90LB4	12,0
	3,0	948,1	5245,5	1,0	P E 150 948,12	T 80D2	16,0
	2,9	958,0	5298,2	2,2	P E 190 958,04	T 80D2	27,0
	2,9	981,4	5428,1	1,5	P E 170 981,35	T 80D2	21,0
	2,9	501,5	5427,1	1,1	P E 150 501,52	T 90LB4	16,0
	2,8	520,0	5625,0	1,6	P E 170 520,04	T 90LB4	21,0
	2,7	524,8	5664,8	0,7	P E 132 524,76	T 90LB4	12,0
	2,7	526,2	5687,6	2,2	P E 190 526,24	T 90LB4	27,0
	2,7	1037,5	5731,1	0,9	P E 150 1037,52	T 80D2	16,0
	2,6	1064,2	5882,4	2,0	P E 190 1064,22	T 80D2	27,0
	2,6	1064,2	5881,4	1,4	P E 170 1064,22	T 80D2	21,0
	2,6	549,0	5950,4	1,0	P E 150 548,95	T 90LB4	16,0
	2,6	559,2	6042,5	1,5	P E 170 559,19	T 90LB4	21,0
	2,5	575,9	6237,9	2,0	P E 190 575,86	T 90LB4	27,0
	2,4	1158,9	6392,8	1,8	P E 190 1158,92	T 80D2	27,0
	2,4	1158,9	6391,9	1,3	P E 170 1158,92	T 80D2	21,0
	2,4	595,3	6447,8	0,9	P E 150 595,28	T 90LB4	16,0
	2,4	1183,2	6527,9	0,8	P E 150 1183,21	T 80D2	16,0
	2,4	606,4	6555,9	1,9	P E 190 606,41	T 90LB4	27,0
	2,4	606,4	6556,1	1,4	P E 170 606,41	T 90LB4	21,0
	2,2	643,2	6967,7	0,9	P E 150 643,23	T 90LB4	16,0
	2,2	1268,2	7000,3	1,6	P E 190 1268,2	T 80D2	27,0
	2,2	1268,2	6999,5	1,2	P E 170 1268,2	T 80D2	21,0
	2,2	649,0	7031,3	1,3	P E 170 649	T 90LB4	21,0
	2,2	660,4	7129,3	1,8	P E 190 660,37	T 90LB4	27,0
	2,2	1294,8	7162,9	0,8	P E 150 1294,77	T 80D2	16,0
	2,1	697,9	7545,4	1,2	P E 170 697,85	T 90LB4	21,0
	2,1	697,5	7547,2	0,8	P E 150 697,51	T 90LB4	16,0
	2,0	704,9	7622,0	1,6	P E 190 704,94	T 90LB4	27,0
	2,0	1395,7	7698,0	1,5	P E 190 1395,69	T 80D2	27,0
	2,0	1395,7	7698,0	1,1	P E 170 1395,69	T 80D2	21,0
	1,9	743,0	8059,7	0,7	P E 150 743,02	T 90LB4	16,0
	1,9	756,8	8184,8	1,5	P E 190 756,78	T 90LB4	27,0
	1,9	756,8	8186,0	1,1	P E 170 756,78	T 90LB4	21,0
	1,9	766,5	8275,9	0,7	P E 150 766,52	T 90LB4	16,0
1,8	1546,4	8546,7	1,3	P E 190 1546,36	T 80D2	27,0	
1,8	1546,4	8546,3	0,9	P E 170 1546,36	T 80D2	21,0	
1,8	811,3	8790,0	1,0	P E 170 811,25	T 90LB4	21,0	
1,7	824,1	8889,8	1,4	P E 190 824,12	T 90LB4	27,0	
1,6	879,8	9489,7	1,3	P E 190 879,75	T 90LB4	27,0	
1,6	879,8	9490,3	0,9	P E 170 879,75	T 90LB4	21,0	
1,5	958,0	10383,0	1,2	P E 190 958,04	T 90LB4	27,0	
1,5	981,4	10595,2	0,8	P E 170 981,35	T 90LB4	21,0	
1,3	1064,2	11544,4	1,1	P E 190 1064,22	T 90LB4	27,0	
1,3	1064,2	11546,7	0,8	P E 170 1064,22	T 90LB4	21,0	
1,2	1158,9	12576,9	1,0	P E 190 1158,92	T 90LB4	27,0	
1,2	1158,9	12577,6	0,7	P E 170 1158,92	T 90LB4	21,0	
1,1	1268,2	13694,5	0,9	P E 190 1268,2	T 90LB4	27,0	
1,0	1395,7	15171,9	0,8	P E 190 1395,69	T 90LB4	27,0	
0,9	1546,4	16816,1	0,7	P E 190 1546,36	T 90LB4	27,0	



HIGH TECH *line* Motion

P ₁ Input Power kW	n ₂ Output speed min ⁻¹	IR ratio -	T ₂ Output torque Nm	FS' Service Factor -	 GEAR	 EU	P _{tn} Thermal capacity kW
	950.0	3.0	21.0	3.7	P - 63 2 3	T 90L2	5.6
	730.8	3.9	27.3	3.3	P - 63 2 3.9	T 90L2	5.6
	662.8	4.3	30.1	3.2	P - 63 2 4.3	T 90L2	5.6
	570.0	5.0	35.0	3.1	P - 63 2 5	T 90L2	5.6
	550.0	2.6	36.3	3.6	P - 71 2 2.6	T 100A4	7.5
	508.9	5.6	39.2	3.2	P - 63 2 5.6	T 90L2	5.6
	476.7	3.0	41.9	1.9	P - 63 2 3	T 100A4	5.6
	459.7	6.2	43.4	3.0	P - 63 2 6.2	T 90L2	5.6
	446.9	3.2	44.7	3.4	P - 71 2 3.2	T 100A4	7.5
	438.5	6.5	45.5	3.0	P - 63 2 6.5	T 90L2	5.6
	385.1	7.4	51.8	2.7	P - 63 2 7.4	T 90L2	5.6
	376.3	3.8	53.0	3.3	P - 71 2 3.8	T 100A4	7.5
	369.2	2.6	54.1	2.4	P - 71 2 2.6	T 112A6	7.5
	366.7	3.9	54.4	2.0	P - 63 2 3.9	T 100A4	5.6
	361.5	2.6	55.2	2.4	P - 71 2 2.6	T 100BL6	7.5
	356.3	8.0	56.0	2.7	P - 63 2 8	T 90L2	5.6
	332.6	4.3	60.0	3.3	P - 71 2 4.3	T 100A4	7.5
	332.6	4.3	60.0	2.2	P - 63 2 4.3	T 100A4	5.6
	320.0	3.0	62.4	1.4	P - 63 2 3	T 112A6	5.6
	316.7	9.0	63.0	2.6	P - 63 2 9	T 90L2	5.6
	313.3	3.0	63.7	1.3	P - 63 2 3	T 100BL6	5.6
	300.0	3.2	66.5	2.3	P - 71 2 3.2	T 112A6	7.5
	293.8	3.2	67.9	2.2	P - 71 2 3.2	T 100BL6	7.5
	286.0	5.0	69.8	2.0	P - 63 2 5	T 100A4	5.6
	274.0	10.4	72.8	2.5	P - 63 2 10.4	T 90L2	5.6
	269.8	5.3	74.0	2.8	P - 71 2 5.3	T 100A4	7.5
	255.4	5.6	78.2	2.0	P - 63 2 5.6	T 100A4	5.6
	252.6	3.8	79.0	2.3	P - 71 2 3.8	T 112A6	7.5
	247.4	3.8	80.7	2.2	P - 71 2 3.8	T 100BL6	7.5
	246.2	3.9	81.1	1.4	P - 63 2 3.9	T 112A6	5.6
	241.5	11.8	82.6	2.3	P - 63 2 11.8	T 90L2	5.6
	241.0	3.9	82.8	1.4	P - 63 2 3.9	T 100BL6	5.6
	231.7	12.3	86.1	3.3	P - 71 2 12.3	T 90L2	7.5
	230.7	6.2	86.5	3.0	P - 71 2 6.2	T 100A4	7.5
	230.7	6.2	86.5	1.8	P - 63 2 6.2	T 100A4	5.6
	223.3	4.3	89.4	2.3	P - 71 2 4.3	T 112A6	7.5
	223.3	4.3	89.4	1.5	P - 63 2 4.3	T 112A6	5.6
	220.0	6.5	90.7	1.9	P - 63 2 6.5	T 100A4	5.6
	218.6	4.3	91.3	2.3	P - 71 2 4.3	T 100BL6	7.5
	218.6	4.3	91.3	1.5	P - 63 2 4.3	T 100BL6	5.6
	211.1	13.5	94.5	2.2	P - 63 2 13.5	T 90L2	5.6
	201.4	7.1	99.1	3.0	P - 71 2 7.1	T 100A4	7.5
	197.9	14.4	100.8	1.9	P - 63 2 14.4	T 90L2	5.6
	193.2	7.4	103.3	1.7	P - 63 2 7.4	T 100A4	5.6
	192.0	5.0	104.0	1.4	P - 63 2 5	T 112A6	5.6
	188.0	5.0	106.2	1.4	P - 63 2 5	T 100BL6	5.6
	181.1	5.3	110.2	2.1	P - 71 2 5.3	T 112A6	7.5
	178.8	8.0	111.7	1.8	P - 63 2 8	T 100A4	5.6
	177.4	5.3	112.5	2.0	P - 71 2 5.3	T 100BL6	7.5
	177.0	16.1	112.8	3.7	P - 71 2 16.1	T 90L2	7.5
	171.4	5.6	116.4	1.5	P - 63 2 5.6	T 112A6	5.6
	168.6	16.9	118.4	1.9	P - 63 2 16.9	T 90L2	5.6
	167.9	5.6	118.9	1.4	P - 63 2 5.6	T 100BL6	5.6
	164.7	17.3	121.2	3.5	P - 71 2 17.3	T 90L2	7.5
	164.4	8.7	121.4	2.6	P - 71 2 8.7	T 100A4	7.5
	158.9	9.0	125.6	1.7	P - 63 2 9	T 100A4	5.6
	154.8	6.2	128.9	2.3	P - 71 2 6.2	T 112A6	7.5
	154.8	6.2	128.9	1.4	P - 63 2 6.2	T 112A6	5.6
	152.4	18.7	131.0	3.2	P - 71 2 18.7	T 90L2	7.5
	151.6	6.2	131.7	2.3	P - 71 2 6.2	T 100BL6	7.5
	151.6	6.2	131.7	1.3	P - 63 2 6.2	T 100BL6	5.6
	147.7	6.5	135.1	1.4	P - 63 2 6.5	T 112A6	5.6
	146.2	19.5	136.5	4.0	P - 80 2 19.49	T 90L2	7.5
	144.6	6.5	138.0	1.3	P - 63 2 6.5	T 100BL6	5.6
	143.9	19.8	138.7	1.7	P - 63 2 19.8	T 90L2	5.6
	141.1	20.2	141.5	3.0	P - 71 2 20.2	T 90L2	7.5
	140.2	10.2	142.4	3.0	P - 71 2 10.2	T 100A4	7.5
	139.0	20.5	143.6	1.5	P - 63 2 20.5	T 90L2	5.6
	138.8	20.5	143.8	3.8	P - 80 2 20.53	T 90L2	7.5
	137.5	10.4	145.2	1.5	P - 63 2 10.4	T 100A4	5.6
	135.2	7.1	147.6	2.2	P - 71 2 7.1	T 112A6	7.5
	132.8	21.5	150.3	3.6	P - 80 2 21.46	T 90L2	7.5
	132.4	7.1	150.7	2.2	P - 71 2 7.1	T 100BL6	7.5
	130.1	21.9	153.4	2.7	P - 71 2 21.9	T 90L2	7.5
	129.7	7.4	153.8	1.2	P - 63 2 7.4	T 112A6	5.6
	127.0	7.4	157.1	1.2	P - 63 2 7.4	T 100BL6	5.6
	123.3	11.6	161.9	2.7	P - 71 2 11.6	T 100A4	7.5
	121.2	11.8	164.7	1.4	P - 63 2 11.8	T 100A4	5.6
	120.0	8.0	166.3	1.3	P - 63 2 8	T 112A6	5.6
	119.3	23.9	167.3	3.2	P - 80 2 23.89	T 90L2	7.5
	118.3	24.1	168.8	1.2	P - 63 2 24.1	T 90L2	5.6
	117.5	8.0	169.8	1.3	P - 63 2 8	T 100BL6	5.6
	116.3	12.3	171.7	1.7	P - 71 2 12.3	T 100A4	7.5
	112.7	25.3	177.2	2.0	P - 71 2 25.3	T 90L2	7.5
	110.3	8.7	180.9	3.1	P - 90 2 8.7	T 112A6	10.5
	110.3	8.7	180.9	1.9	P - 71 2 8.7	T 112A6	7.5
	109.2	26.1	182.8	1.2	P - 63 2 26.1	T 90L2	5.6
	108.4	26.3	184.2	2.9	P - 80 2 26.3	T 90L2	7.5
	108.1	8.7	184.7	3.0	P - 90 2 8.7	T 100BL6	10.5
	108.1	8.7	184.7	1.9	P - 71 2 8.7	T 100BL6	7.5
	108.0	26.4	181.0	3.0	P L 65 3 26.4	T 90L2	8.0
	106.7	9.0	187.1	1.2	P - 63 2 9	T 112A6	5.6
	105.9	13.5	188.4	1.3	P - 63 2 13.5	T 100A4	5.6
	104.4	9.0	191.1	1.2	P - 63 2 9	T 100BL6	5.6
	104.0	13.8	191.9	3.9	P - 80 2 13.75	T 100A4	7.5



2,2

P ₁ Input Power kW	n ₂ Output speed min ⁻¹	IR ratio -	T2 Output torque Nm	FS' Service Factor -	 GEAR	 EU	P _{tn} Thermal capacity kW
	103,2	9,3	193,3	2,9	P - 90 2 9,3	T 112A6	10,5
	102,9	27,7	194,0	3,8	P - 90 2 27,7	T 90L2	10,5
	102,1	14,0	195,4	2,3	P - 71 2 14	T 100A4	7,5
	102,1	9,4	195,4	3,8	P - 80 2 9,4	T 112A6	7,5
	101,1	9,3	197,5	2,8	P - 90 2 9,3	T 100BL6	10,5
	100,4	28,4	198,8	2,7	P - 80 2 28,38	T 90L2	7,5
	100,0	9,4	199,6	3,8	P - 80 2 9,4	T 100BL6	7,5
	99,3	14,4	201,0	1,1	P - 63 2 14,4	T 100A4	5,6
	99,3	28,7	196,7	1,1	P L 45 3 28,7	T 90L2	6,5
	99,0	28,8	201,7	2,0	P - 71 2 28,8	T 90L2	7,5
	97,0	14,7	205,7	3,6	P - 80 2 14,74	T 100A4	7,5
	95,6	10,0	208,7	3,4	P - 80 2 10,04	T 112A6	7,5
	94,5	30,2	211,2	2,6	P - 80 2 30,15	T 90L2	7,5
	94,1	10,2	212,1	2,2	P - 71 2 10,2	T 112A6	7,5
	93,6	10,0	213,2	3,4	P - 80 2 10,04	T 100BL6	7,5
	93,4	30,5	213,6	3,5	P - 90 2 30,5	T 90L2	10,5
	92,3	10,4	216,2	1,1	P - 63 2 10,4	T 112A6	5,6
	92,2	10,2	216,6	2,2	P - 71 2 10,2	T 100BL6	7,5
	90,4	10,4	220,8	1,1	P - 63 2 10,4	T 100BL6	5,6
	89,9	31,7	222,0	1,0	P - 63 2 31,7	T 90L2	5,6
	89,1	32,0	219,4	1,0	P L 45 3 32	T 90L2	6,5
	88,8	16,1	224,7	2,0	P - 71 2 16,1	T 100A4	7,5
	88,2	32,3	221,4	2,4	P L 65 3 32,3	T 90L2	8,0
	86,2	10,9	231,4	4,0	P - 90 2 10,9	T 100BL6	10,5
	86,1	33,1	231,8	1,6	P - 71 2 33,1	T 90L2	7,5
	84,6	16,9	235,8	1,1	P - 63 2 16,9	T 100A4	5,6
	83,8	17,1	238,3	3,6	P - 80 2 17,07	T 100A4	7,5
	83,6	17,1	238,7	3,8	P - 90 2 17,1	T 100A4	10,5
	82,8	11,6	241,2	2,0	P - 71 2 11,6	T 112A6	7,5
	82,7	17,3	241,5	1,9	P - 71 2 17,3	T 100A4	7,5
	82,6	11,6	241,6	3,0	P - 80 2 11,62	T 112A6	7,5
	81,9	34,8	243,6	2,2	P - 80 2 34,79	T 90L2	7,5
	81,4	35,0	245,1	2,9	P - 90 2 35	T 90L2	10,5
	81,4	11,8	245,3	1,0	P - 63 2 11,8	T 112A6	5,6
	81,0	11,6	246,3	1,9	P - 71 2 11,6	T 100BL6	7,5
	80,9	11,6	246,7	2,9	P - 80 2 11,62	T 100BL6	7,5
	79,7	11,8	250,6	1,0	P - 63 2 11,8	T 100BL6	5,6
	78,1	12,3	255,7	3,6	P - 90 2 12,3	T 112A6	10,5
	78,1	12,3	255,7	1,2	P - 71 2 12,3	T 112A6	7,5
	77,9	36,6	256,3	0,9	P - 63 2 36,6	T 90L2	5,6
	77,5	18,5	257,5	3,5	P - 80 2 18,45	T 100A4	7,5
	76,5	18,7	261,0	1,8	P - 71 2 18,7	T 100A4	7,5
	76,4	12,3	261,2	3,5	P - 90 2 12,3	T 100BL6	10,5
	76,4	12,3	261,2	1,2	P - 71 2 12,3	T 100BL6	7,5
	76,4	37,3	261,2	1,4	P - 71 2 37,3	T 90L2	7,5
	75,8	37,6	257,8	2,1	P L 65 3 37,6	T 90L2	8,0
	75,1	38,0	265,8	2,0	P - 80 2 37,95	T 90L2	7,5
	73,6	38,7	265,3	2,6	P - 90 3 38,7	T 90L2	7,5
	73,4	19,5	272,1	2,2	P - 80 2 19,49	T 100A4	7,5
	72,2	19,8	276,4	3,3	P - 90 2 19,8	T 100A4	10,5
	72,2	19,8	276,4	0,9	P - 63 2 19,8	T 100A4	5,6
	72,2	39,5	270,8	1,6	P - 71 3 39,5	T 90L2	5,4
	71,9	39,6	277,5	1,6	P - 80 2 39,63	T 90L2	7,5
	71,1	13,5	280,6	0,9	P - 63 2 13,5	T 112A6	5,6
	70,8	20,2	282,0	1,6	P - 71 2 20,2	T 100A4	7,5
	70,5	40,4	283,0	2,1	P - 90 2 40,4	T 90L2	10,5
	70,4	40,5	283,7	0,8	P - 63 2 40,5	T 90L2	5,6
	69,8	13,8	285,9	2,9	P - 80 2 13,75	T 112A6	7,5
	69,8	20,5	286,0	0,8	P - 63 2 20,5	T 100A4	5,6
	69,7	40,9	280,5	0,8	P L 45 3 40,9	T 90L2	6,5
	69,7	20,5	286,6	2,1	P - 80 2 20,53	T 100A4	7,5
	69,6	13,5	286,7	0,9	P - 63 2 13,5	T 100BL6	5,6
	68,6	14,0	291,1	3,2	P - 90 2 14	T 112A6	10,5
	68,6	14,0	291,1	1,6	P - 71 2 14	T 112A6	7,5
	68,4	13,8	292,0	2,8	P - 80 2 13,75	T 100BL6	7,5
	67,5	42,3	295,9	1,5	P - 80 2 42,25	T 90L2	7,5
	67,1	14,0	297,3	3,1	P - 90 2 14	T 100BL6	10,5
	67,1	14,0	297,3	1,6	P - 71 2 14	T 100BL6	7,5
	66,8	21,4	298,7	3,0	P - 90 2 21,4	T 100A4	10,5
	66,7	14,4	299,4	0,8	P - 63 2 14,4	T 112A6	5,6
	66,6	21,5	299,5	2,0	P - 80 2 21,46	T 100A4	7,5
	65,3	21,9	305,6	1,5	P - 71 2 21,9	T 100A4	7,5
	65,3	14,4	305,7	0,8	P - 63 2 14,4	T 100BL6	5,6
	65,2	43,7	299,6	3,6	P L 85 3 43,7	T 90L2	11,0
	65,2	43,7	299,6	2,5	P - 90 3 43,7	T 90L2	7,5
	65,1	14,7	306,4	2,7	P - 80 2 14,74	T 112A6	7,5
	64,6	44,1	308,8	2,3	P - 90 2 44,1	T 90L2	10,5
	63,8	14,7	313,0	2,6	P - 80 2 14,74	T 100BL6	7,5
	63,8	44,7	313,1	1,3	P - 71 2 44,7	T 90L2	7,5
	62,4	45,7	313,3	0,7	P L 45 3 45,7	T 90L2	6,5
	62,0	46,0	315,4	1,7	P L 65 3 46	T 90L2	8,0
	60,1	23,8	325,2	2,5	P L 85 3 23,8	T 100A4	11,0
	60,0	16,0	332,7	2,8	P - 90 2 16	T 112A6	10,5
	59,9	23,9	333,4	1,8	P - 80 2 23,89	T 100A4	7,5
	59,6	16,1	334,7	1,4	P - 71 2 16,1	T 112A6	7,5
	59,2	48,1	337,2	1,3	P - 80 2 48,14	T 90L2	7,5
	58,8	16,0	339,7	2,7	P - 90 2 16	T 100BL6	10,5
	58,4	48,8	334,5	2,2	P - 90 3 48,8	T 90L2	7,5
	58,4	16,1	341,9	1,4	P - 71 2 16,1	T 100BL6	7,5
	57,2	25,0	349,0	2,6	P - 90 2 25	T 100A4	10,5
	56,8	16,9	351,5	0,7	P - 63 2 16,9	T 112A6	5,6
	56,5	25,3	353,2	1,2	P - 71 2 25,3	T 100A4	7,5
	56,4	50,5	353,7	1,1	P - 71 2 50,5	T 90L2	7,5
	56,2	17,1	354,9	2,6	P - 80 2 17,07	T 112A6	7,5
	56,1	17,1	355,5	2,6	P - 90 2 17,1	T 112A6	10,5

2,2





HIGH TECH *line* Motion

P ₁ Input Power kW	n ₂ Output speed min ⁻¹	IR ratio -	T ₂ Output torque Nm	FS' Service Factor -			P _{tn} Thermal capacity kW
	56,0	50,9	356,3	0,9	P - 80 2 50,87	T 90L2	7,5
	56,0	50,9	356,5	2,0	P - 90 2 50,9	T 90L2	10,5
	55,7	51,2	351,1	3,8	P - 112 3 51,2	T 90L2	11,8
	55,6	16,9	358,9	0,7	P - 63 2 16,9	T 100BL6	5,6
	55,5	17,3	359,7	1,3	P - 71 2 17,3	T 112A6	7,5
	55,1	17,1	362,4	2,6	P - 80 2 17,07	T 100BL6	7,5
	55,0	17,1	363,1	2,5	P - 90 2 17,1	T 100BL6	10,5
	54,4	26,3	367,1	1,6	P - 80 2 26,3	T 100A4	7,5
	54,3	17,3	367,3	1,3	P - 71 2 17,3	T 100BL6	7,5
	54,2	26,4	360,7	1,7	P L 65 3 26,4	T 100A4	8,0
	53,3	53,5	366,8	1,1	P - 71 3 53,5	T 90L2	5,4
	52,5	54,3	372,3	1,5	P L 65 3 54,3	T 90L2	8,0
	52,0	18,5	383,6	2,6	P - 80 2 18,45	T 112A6	7,5
	52,0	27,5	375,8	2,5	P L 85 3 27,5	T 100A4	11,0
	51,6	55,2	378,4	1,9	P - 90 3 55,2	T 90L2	7,5
	51,6	27,7	386,6	2,4	P - 90 2 27,7	T 100A4	10,5
	51,4	55,5	388,7	0,8	P - 80 2 55,49	T 90L2	7,5
	51,3	18,7	388,8	1,2	P - 71 2 18,7	T 112A6	7,5
	51,0	18,5	391,7	2,5	P - 80 2 18,45	T 100BL6	7,5
	50,6	56,3	386,0	2,8	P L 85 3 56,3	T 90L2	11,0
	50,4	28,4	396,2	1,5	P - 80 2 28,38	T 100A4	7,5
	50,3	18,7	397,0	1,2	P - 71 2 18,7	T 100BL6	7,5
	49,7	28,8	402,1	1,1	P - 71 2 28,8	T 100A4	7,5
	49,3	19,5	405,2	1,6	P - 80 2 19,49	T 112A6	7,5
	48,7	58,5	401,0	3,5	P - 112 3 58,5	T 90L2	11,8
	48,5	19,8	411,7	2,2	P - 90 2 19,8	T 112A6	10,5
	48,2	19,5	413,9	1,6	P - 80 2 19,49	T 100BL6	7,5
	47,5	20,2	420,0	1,1	P - 71 2 20,2	T 112A6	7,5
	47,5	19,8	420,4	2,2	P - 90 2 19,8	T 100BL6	10,5
	47,4	30,2	420,8	1,4	P - 80 2 30,15	T 100A4	7,5
	46,9	30,5	425,7	2,1	P - 90 2 30,5	T 100A4	10,5
	46,9	60,8	416,8	1,0	P - 71 3 60,8	T 90L2	5,4
	46,8	20,5	426,9	1,5	P - 80 2 20,53	T 112A6	7,5
	46,5	20,2	428,9	1,1	P - 71 2 20,2	T 100BL6	7,5
	46,1	61,8	432,9	0,7	P - 80 2 61,79	T 90L2	7,5
	45,8	20,5	436,0	1,5	P - 80 2 20,53	T 100BL6	7,5
	45,8	62,3	427,1	1,8	P - 90 3 62,3	T 90L2	7,5
	45,5	62,7	429,9	3,3	P - 112 3 62,7	T 90L2	11,8
	44,9	21,4	444,9	2,1	P - 90 2 21,4	T 112A6	10,5
	44,7	21,5	446,2	1,5	P - 80 2 21,46	T 112A6	7,5
	44,6	63,9	438,1	2,5	P L 85 3 63,9	T 90L2	11,0
	44,4	64,2	440,2	1,0	P - 71 3 64,2	T 90L2	5,4
	44,3	32,3	450,9	3,9	P - 112 2 32,3	T 100A4	16,5
	44,3	32,3	441,3	1,4	P L 65 3 32,3	T 100A4	8,0
	44,3	64,4	441,6	1,2	P L 65 3 64,4	T 90L2	8,0
	43,9	21,4	454,3	2,0	P - 90 2 21,4	T 100BL6	10,5
	43,8	21,9	455,4	1,1	P - 71 2 21,9	T 112A6	7,5
	43,8	21,5	455,7	1,4	P - 80 2 21,46	T 100BL6	7,5
	43,2	33,1	462,1	0,9	P - 71 2 33,1	T 100A4	7,5
	42,9	21,9	465,0	1,0	P - 71 2 21,9	T 100BL6	7,5
	42,3	67,4	462,1	3,1	P - 112 3 67,4	T 90L2	11,8
	41,5	34,5	471,4	2,3	P L 85 3 34,5	T 100A4	11,0
	41,1	34,8	485,7	1,2	P - 80 2 34,79	T 100A4	7,5
	40,9	35,0	488,5	1,7	P - 90 2 35	T 100A4	10,5
	40,7	23,6	480,3	3,6	P L 95 3 23,6	T 112A6	16,0
	40,4	70,6	484,0	1,7	P - 90 3 70,6	T 90L2	7,5
	40,3	23,8	484,3	1,8	P L 85 3 23,8	T 112A6	11,0
	40,2	23,9	496,8	1,3	P - 80 2 23,89	T 112A6	7,5
	39,8	23,6	490,6	3,6	P L 95 3 23,6	T 100BL6	16,0
	39,5	23,8	494,7	1,7	P L 85 3 23,8	T 100BL6	11,0
	39,4	23,9	507,2	1,3	P - 80 2 23,89	T 100BL6	7,5
	39,3	72,6	497,7	3,0	P - 112 3 72,6	T 90L2	11,8
	38,5	74,0	507,4	2,1	P L 85 3 74	T 90L2	11,0
	38,4	25,0	519,8	1,8	P - 90 2 25	T 112A6	10,5
	38,3	37,3	520,5	0,8	P - 71 2 37,3	T 100A4	7,5
	38,3	74,4	510,1	1,1	P L 65 3 74,4	T 90L2	8,0
	38,0	37,6	513,8	1,2	P L 65 3 37,6	T 100A4	8,0
	37,9	25,3	525,9	0,8	P - 71 2 25,3	T 112A6	7,5
	37,8	25,4	528,0	3,3	P - 112 2 25,4	T 112A6	16,5
	37,8	75,4	516,8	0,8	P - 71 3 75,4	T 90L2	5,4
	37,7	38,0	529,7	1,1	P - 80 2 37,95	T 100A4	7,5
	37,6	25,0	530,8	1,7	P - 90 2 25	T 100BL6	10,5
	37,4	76,3	523,2	1,5	P - 90 3 76,3	T 90L2	7,5
	37,2	25,3	537,2	0,8	P - 71 2 25,3	T 100BL6	7,5
	37,0	25,4	539,3	3,2	P - 112 2 25,4	T 100BL6	16,5
	37,0	38,7	528,8	2,3	P L 85 3 38,7	T 100A4	11,0
	37,0	38,7	528,8	1,7	P - 90 3 38,7	T 100A4	7,5
	36,8	38,9	542,9	3,2	P - 112 2 38,9	T 100A4	16,5
	36,5	26,3	546,9	1,2	P - 80 2 26,3	T 112A6	7,5
	36,4	26,4	537,4	1,2	P L 65 3 26,4	T 112A6	8,0
	36,3	78,5	538,2	2,8	P - 112 3 78,5	T 90L2	11,8
	36,1	39,6	553,3	0,9	P - 80 2 39,63	T 100A4	7,5
	35,7	26,3	558,4	1,2	P - 80 2 26,3	T 100BL6	7,5
	35,6	26,4	548,7	1,2	P L 65 3 26,4	T 100BL6	8,0
	35,4	40,4	563,9	1,3	P - 90 2 40,4	T 100A4	10,5
	35,3	40,5	553,4	3,8	P L 95 3 40,5	T 100A4	16,0
	35,1	40,7	568,0	3,1	P - 112 2 40,7	T 100A4	16,5
	35,0	27,4	557,6	3,5	P L 95 3 27,4	T 112A6	16,0
	34,9	27,5	559,7	1,8	P L 85 3 27,5	T 112A6	11,0
	34,7	27,7	575,8	1,6	P - 90 2 27,7	T 112A6	10,5
	34,4	82,8	567,7	1,4	P - 90 3 82,8	T 90L2	7,5
	34,3	27,4	569,5	3,4	P L 95 3 27,4	T 100BL6	16,0
	34,2	27,5	571,7	1,7	P L 85 3 27,5	T 100BL6	11,0
	33,9	27,7	588,0	1,6	P - 90 2 27,7	T 100BL6	10,5
	33,9	42,3	589,5	0,8	P - 80 2 42,25	T 100A4	7,5

2,2





P ₁ Input Power kW	n ₂ Output speed min ⁻¹	IR ratio -	T2 Ouput torque Nm	FS' Service Factor -	 GEAR	 EU	P _{tn} Thermal capacity kW
	33,8	28,4	590,0	1,1	P - 80 2 28.38	T 112A6	7,5
	33,6	84,9	582,1	1,9	P L 85 3 84,9	T 90L2	11,0
	33,4	85,4	585,5	0,9	P L 65 3 85,4	T 90L2	8,0
	33,3	28,8	598,8	0,8	P - 71 2 28.8	T 112A6	7,5
	33,1	86,0	589,6	3,6	P L 95 3 86	T 90L2	16,0
	33,1	28,4	602,7	1,1	P - 80 2 28.38	T 100BL6	7,5
	33,0	29,1	605,0	3,1	P - 112 2 29.1	T 112A6	16,5
	32,8	86,8	595,0	0,7	P - 71 3 86.8	T 90L2	5,4
	32,7	43,7	597,1	2,0	P L 85 3 43.7	T 100A4	11,0
	32,7	43,7	597,3	1,5	P - 90 3 43.7	T 100A4	7,5
	32,7	87,3	598,5	2,5	P - 112 3 87.3	T 90L2	11,8
	32,6	28,8	611,5	0,8	P - 71 2 28.8	T 100BL6	7,5
	32,4	44,1	615,5	1,4	P - 90 2 44.1	T 100A4	10,5
	32,3	29,1	618,0	3,0	P - 112 2 29.1	T 100BL6	16,5
	32,3	44,3	618,3	3,6	P - 125 2 44.3	T 100A4	21,0
	32,0	44,7	623,9	2,8	P - 112 2 44.7	T 100A4	16,5
	32,0	44,7	623,9	0,7	P - 71 2 44.7	T 100A4	7,5
	31,8	30,2	626,8	1,0	P - 80 2 30.15	T 112A6	7,5
	31,8	30,2	627,9	3,8	P - 125 2 30.2	T 112A6	21,0
	31,5	30,5	634,1	1,5	P - 90 2 30.5	T 112A6	10,5
	31,2	30,2	640,2	1,0	P - 80 2 30.15	T 100BL6	7,5
	31,1	30,2	641,2	3,7	P - 125 2 30.2	T 100BL6	21,0
	31,1	46,0	628,6	1,0	P L 65 3 46	T 100A4	8,0
	30,8	30,5	647,7	1,4	P - 90 2 30.5	T 100BL6	10,5
	30,6	93,3	639,5	1,3	P - 90 3 93.3	T 90L2	7,5
	30,5	46,9	640,9	3,3	P L 95 3 46.9	T 100A4	16,0
	30,5	93,6	641,6	2,3	P - 112 3 93.6	T 90L2	11,8
	29,7	32,3	671,6	2,8	P - 112 2 32.3	T 112A6	16,5
	29,7	32,3	657,5	1,0	P L 65 3 32.3	T 112A6	8,0
	29,7	48,1	672,0	0,7	P - 80 2 48.14	T 100A4	7,5
	29,3	48,8	666,9	1,4	P - 90 3 48.8	T 100A4	7,5
	29,2	48,9	682,6	2,6	P - 112 2 48.9	T 100A4	16,5
	29,2	32,9	669,6	3,4	P L 95 3 32.9	T 112A6	16,0
	29,1	32,3	685,9	2,7	P - 112 2 32.3	T 100BL6	16,5
	29,1	32,3	671,4	1,0	P L 65 3 32.3	T 100BL6	8,0
	29,1	98,0	671,9	1,6	P L 85 3 98	T 90L2	11,0
	29,0	98,4	674,7	3,1	P L 95 3 98.4	T 90L2	16,0
	28,8	99,0	678,9	0,8	P L 65 3 99	T 90L2	8,0
	28,6	32,9	683,9	3,3	P L 95 3 32.9	T 100BL6	16,0
	28,3	100,6	689,7	1,2	P - 90 3 100.6	T 90L2	7,5
	28,2	50,7	700,1	4,0	P L 105 3 50.7	T 100A4	22,0
	28,1	50,9	710,5	1,2	P - 90 2 50.9	T 100A4	10,5
	27,9	51,2	699,6	2,4	P - 112 3 51.2	T 100A4	11,8
	27,8	34,5	702,0	1,6	P L 85 3 34.5	T 112A6	11,0
	27,6	34,8	723,4	0,9	P - 80 2 34.79	T 112A6	7,5
	27,4	35,0	727,6	1,2	P - 90 2 35	T 112A6	10,5
	27,3	34,5	717,1	1,6	P L 85 3 34.5	T 100BL6	11,0
	27,0	34,8	738,6	0,9	P - 80 2 34.79	T 100BL6	7,5
	26,9	53,1	741,2	3,0	P - 125 2 53.1	T 100A4	21,0
	26,9	35,0	743,1	1,2	P - 90 2 35	T 100BL6	10,5
	26,3	54,3	742,0	0,8	P L 65 3 54.3	T 100A4	8,0
	26,3	108,4	743,2	2,0	P - 112 3 108.4	T 90L2	11,8
	26,2	108,9	746,7	1,2	P - 90 3 108.9	T 90L2	7,5
	26,1	54,7	747,5	2,8	P L 95 3 54.7	T 100A4	16,0
	26,0	55,0	759,6	3,8	P L 105 3 55	T 100A4	22,0
	25,9	55,2	754,0	1,2	P - 90 3 55.2	T 100A4	7,5
	25,8	110,5	765,7	3,9	P L 105 3 110.5	T 90L2	22,0
	25,5	37,6	765,5	0,8	P L 65 3 37.6	T 112A6	8,0
	25,4	56,3	769,2	1,6	P L 85 3 56.3	T 100A4	11,0
	25,3	38,0	788,9	0,8	P - 80 2 37.95	T 112A6	7,5
	25,1	38,2	794,2	3,2	P - 125 2 38.2	T 112A6	21,0
	25,1	113,5	778,3	1,4	P L 85 3 113.5	T 90L2	11,0
	25,0	37,6	781,4	0,8	P L 65 3 37.6	T 100BL6	8,0
	24,9	38,5	791,9	3,9	P L 105 3 38.5	T 112A6	22,0
	24,9	57,5	802,5	2,7	P - 125 2 57.5	T 100A4	21,0
	24,8	38,7	787,7	1,7	P L 85 3 38.7	T 112A6	11,0
	24,8	38,7	787,5	1,2	P - 90 3 38.7	T 112A6	7,5
	24,8	38,0	805,7	0,8	P - 80 2 37.95	T 100BL6	7,5
	24,7	38,9	808,7	2,3	P - 112 2 38.9	T 112A6	16,5
	24,6	38,2	811,1	3,1	P - 125 2 38.2	T 100BL6	21,0
	24,6	116,0	795,3	2,6	P L 95 3 116	T 90L2	16,0
	24,4	58,5	799,4	2,2	P - 112 3 58.5	T 100A4	11,8
	24,4	38,5	808,8	3,8	P L 105 3 38.5	T 100BL6	22,0
	24,3	117,2	803,5	1,9	P - 112 3 117.2	T 90L2	11,8
	24,3	38,7	804,5	1,6	P L 85 3 38.7	T 100BL6	11,0
	24,3	38,7	804,6	1,2	P - 90 3 38.7	T 100BL6	7,5
	24,2	38,9	826,1	2,2	P - 112 2 38.9	T 100BL6	16,5
	23,8	40,4	840,2	0,9	P - 90 2 40.4	T 112A6	10,5
	23,7	40,5	824,4	2,8	P L 95 3 40.5	T 112A6	16,0
	23,6	40,7	846,2	2,1	P - 112 2 40.7	T 112A6	16,5
	23,5	40,9	850,4	3,8	P - 132 2 40.91	T 112A6	30,0
	23,3	40,4	857,9	0,9	P - 90 2 40.4	T 100BL6	10,5
	23,2	40,5	841,8	2,7	P L 95 3 40.5	T 100BL6	16,0
	23,1	40,7	864,1	2,1	P - 112 2 40.7	T 100BL6	16,5
	23,0	40,9	868,6	3,8	P - 132 2 40.91	T 100BL6	30,0
	23,0	62,3	851,6	1,1	P - 90 3 62.3	T 100A4	7,5
	22,8	62,7	865,8	3,4	P L 105 3 62.7	T 100A4	22,0
	22,8	62,7	856,7	2,0	P - 112 3 62.7	T 100A4	11,8
	22,8	125,0	857,0	1,1	P - 90 3 125	T 90L2	7,5
	22,6	126,1	873,8	3,5	P L 105 3 126.1	T 90L2	22,0
	22,4	63,9	873,0	1,4	P L 85 3 63.9	T 100A4	11,0
	22,2	128,3	879,8	1,7	P - 112 3 128.3	T 90L2	11,8
	22,0	43,7	889,3	1,5	P L 85 3 43.7	T 112A6	11,0
	22,0	43,7	889,2	1,1	P - 90 3 43.7	T 112A6	7,5
	21,9	65,4	893,5	2,5	P L 95 3 65.4	T 100A4	16,0

2,2





HIGH TECH *line* Motion

P ₁ Input Power kW	n ₂ Output speed min ⁻¹	IR ratio -	T ₂ Output torque Nm	FS' Service Factor -	 GEAR	 EU	P _{tn} Thermal capacity kW
	21,8	44,1	916,7	1,0	P - 90 2 44.1	T 112A6	10,5
	21,7	44,3	921,1	2,6	P - 125 2 44.3	T 112A6	21,0
	21,5	43,7	908,5	1,4	P L 85 3 43.7	T 100BL6	11,0
	21,5	43,7	908,3	1,0	P - 90 3 43.7	T 100BL6	7,5
	21,5	44,7	929,1	1,9	P - 112 2 44.7	T 112A6	16,5
	21,4	44,9	923,7	3,3	P L 105 3 44.9	T 112A6	22,0
	21,3	44,1	936,4	1,0	P - 90 2 44.1	T 100BL6	10,5
	21,2	44,3	940,6	2,5	P - 125 2 44.3	T 100BL6	21,0
	21,2	67,4	920,8	1,9	P - 112 3 67.4	T 100A4	11,8
	21,2	134,4	921,2	2,3	P L 95 3 134.4	T 90L2	16,0
	21,0	44,7	949,2	1,9	P - 112 2 44.7	T 100BL6	16,5
	20,9	44,9	943,2	3,2	P L 105 3 44.9	T 100BL6	22,0
	20,8	136,8	938,0	1,2	P L 85 3 136.8	T 90L2	11,0
	20,5	46,9	954,5	2,4	P L 95 3 46.9	T 112A6	16,0
	20,4	139,9	969,5	3,2	P L 105 3 139.9	T 90L2	22,0
	20,3	70,6	964,8	0,9	P - 90 3 70.6	T 100A4	7,5
	20,2	70,7	976,3	3,0	P L 105 3 70.7	T 100A4	22,0
	20,2	141,0	966,7	0,9	P - 90 3 141	T 90L2	7,5
	20,0	46,9	975,1	2,3	P L 95 3 46.9	T 100BL6	16,0
	19,7	72,6	991,8	1,8	P - 112 3 72.6	T 100A4	11,8
	19,7	48,8	993,3	1,0	P - 90 3 48.8	T 112A6	7,5
	19,6	48,9	1016,7	1,8	P - 112 2 48.9	T 112A6	16,5
	19,3	74,0	1011,5	1,2	P L 85 3 74	T 100A4	11,0
	19,3	74,2	1014,0	2,4	P L 95 3 74.2	T 100A4	16,0
	19,3	148,0	1014,4	1,5	P - 112 3 148	T 90L2	11,8
	19,3	48,8	1014,6	0,9	P - 90 3 48.8	T 100BL6	7,5
	19,2	48,9	1038,5	1,8	P - 112 2 48.9	T 100BL6	16,5
	18,9	50,7	1043,4	2,9	P L 105 3 50.7	T 112A6	22,0
	18,9	50,9	1058,2	0,9	P - 90 2 50.9	T 112A6	10,5
	18,8	151,5	1005,3	3,2	P E 125 151.48	T 90L2	10,5
	18,8	51,2	1042,0	1,8	P - 112 3 51.2	T 112A6	11,8
	18,7	76,3	1042,7	0,9	P - 90 3 76.3	T 100A4	7,5
	18,5	50,7	1065,2	2,9	P L 105 3 50.7	T 100BL6	22,0
	18,5	153,9	1066,3	2,9	P L 105 3 153.9	T 90L2	22,0
	18,5	50,9	1080,7	0,9	P - 90 2 50.9	T 100BL6	10,5
	18,4	51,2	1064,2	1,7	P - 112 3 51.2	T 100BL6	11,8
	18,4	155,2	1064,3	0,9	P - 90 3 155.2	T 90L2	7,5
	18,2	78,5	1072,4	1,6	P - 112 3 78.5	T 100A4	11,8
	18,1	53,1	1104,0	2,2	P - 125 2 53.1	T 112A6	21,0
	18,0	158,6	1052,2	3,3	P E 132 158.56	T 90L2	12,0
	17,9	158,9	1089,1	1,9	P L 95 3 158.9	T 90L2	16,0
	17,9	79,8	1102,0	2,7	P L 105 3 79.8	T 100A4	22,0
	17,8	160,0	1097,0	1,0	P L 85 3 160	T 90L2	11,0
	17,7	53,1	1127,6	2,1	P - 125 2 53.1	T 100BL6	21,0
	17,6	54,7	1113,4	2,1	P L 95 3 54.7	T 112A6	16,0
	17,5	55,0	1131,7	2,8	P L 105 3 55	T 112A6	22,0
	17,4	55,2	1123,8	0,8	P - 90 3 55.2	T 112A6	7,5
	17,3	82,8	1131,7	0,8	P - 90 3 82.8	T 100A4	7,5
	17,2	54,7	1137,3	2,0	P L 95 3 54.7	T 100BL6	16,0
	17,1	55,0	1155,6	2,7	P L 105 3 55	T 100BL6	22,0
	17,1	167,0	1144,6	1,3	P - 112 3 167	T 90L2	11,8
	17,1	56,3	1145,8	1,1	P L 85 3 56.3	T 112A6	11,0
	17,0	55,2	1147,4	0,8	P - 90 3 55.2	T 100BL6	7,5
	16,8	169,2	1172,8	2,7	P L 105 3 169.2	T 90L2	22,0
	16,8	84,9	1160,4	1,0	P L 85 3 84.9	T 100A4	11,0
	16,7	57,5	1195,1	2,0	P - 125 2 57.5	T 112A6	21,0
	16,7	56,3	1170,2	1,1	P L 85 3 56.3	T 100BL6	11,0
	16,6	86,0	1174,9	2,0	P L 95 3 86	T 100A4	16,0
	16,4	173,5	1150,8	3,0	P E 132 173.51	T 90L2	12,0
	16,4	58,5	1190,6	1,6	P - 112 3 58.5	T 112A6	11,8
	16,4	87,3	1193,1	1,5	P - 112 3 87.3	T 100A4	11,8
	16,4	87,4	1207,1	2,6	P L 105 3 87.4	T 100A4	22,0
	16,4	57,5	1220,8	2,0	P - 125 2 57.5	T 100BL6	21,0
	16,1	58,5	1216,0	1,5	P - 112 3 58.5	T 100BL6	11,8
	16,0	178,1	1221,5	0,7	P - 90 3 178.1	T 90L2	7,5
	15,8	90,6	1251,6	2,6	P L 105 3 90.6	T 100A4	22,0
	15,4	184,6	1265,2	0,9	P L 85 3 184.6	T 90L2	11,0
	15,4	62,3	1267,7	0,7	P - 90 3 62.3	T 112A6	7,5
	15,4	185,2	1283,3	2,5	P L 105 3 185.2	T 90L2	22,0
	15,4	185,6	1231,8	2,6	P E 125 185.62	T 90L2	10,5
	15,3	93,3	1274,3	0,7	P - 90 3 93.3	T 100A4	7,5
	15,3	62,7	1289,9	2,4	P L 105 3 62.7	T 112A6	22,0
	15,3	62,7	1276,4	1,5	P - 112 3 62.7	T 112A6	11,8
	15,3	93,6	1278,6	1,4	P - 112 3 93.6	T 100A4	11,8
	15,2	187,1	1283,0	1,6	P L 95 3 187.1	T 90L2	16,0
	15,1	62,3	1294,5	0,7	P - 90 3 62.3	T 100BL6	7,5
	15,0	63,9	1300,6	1,0	P L 85 3 63.9	T 112A6	11,0
	15,0	62,7	1317,6	2,4	P L 105 3 62.7	T 100BL6	22,0
	15,0	62,7	1303,6	1,4	P - 112 3 62.7	T 100BL6	11,8
	15,0	64,1	1318,4	4,0	P L 115 3 64.1	T 112A6	26,0
	14,9	191,0	1266,4	2,8	P E 132 190.95	T 90L2	12,0
	14,9	191,5	1313,2	1,1	P - 112 3 191.5	T 90L2	11,8
	14,7	63,9	1328,4	1,0	P L 85 3 63.9	T 100BL6	11,0
	14,7	65,4	1331,1	1,8	P L 95 3 65.4	T 112A6	16,0
	14,7	64,1	1347,2	3,9	P L 115 3 64.1	T 100BL6	26,0
	14,6	98,0	1339,4	0,9	P L 85 3 98	T 100A4	11,0
	14,5	98,4	1344,9	1,8	P L 95 3 98.4	T 100A4	16,0
	14,4	65,4	1359,6	1,8	P L 95 3 65.4	T 100BL6	16,0
	14,3	199,5	1367,3	1,5	P L 95 3 199.5	T 90L2	16,0
	14,2	100,4	1386,8	2,4	P L 105 3 100.4	T 100A4	22,0
	14,2	67,4	1372,2	1,4	P - 112 3 67.4	T 112A6	11,8
	14,0	204,1	1399,3	0,8	P L 85 3 204.1	T 90L2	11,0
	14,0	67,4	1400,9	1,3	P - 112 3 67.4	T 100BL6	11,8
	13,8	103,9	1435,2	3,4	P L 115 3 103.9	T 100A4	26,0
	13,6	70,7	1454,4	2,2	P L 105 3 70.7	T 112A6	22,0

2,2





P ₁ Input Power kW	n ₂ Output speed min ⁻¹	IR ratio -	T2 Ouput torque Nm	FS' Service Factor -	 GEAR	 EU	P _{tn} Thermal capacity kW
	13,4	212,6	1411,0	2,5	P E 132 212,62	T 90L2	12,0
	13,3	214,0	1466,7	0,7	P L 85 3 214	T 90L2	11,0
	13,3	70,7	1484,8	2,1	P L 105 3 70,7	T 100BL6	22,0
	13,2	72,6	1477,8	1,3	P - 112 3 72,6	T 112A6	11,8
	13,2	108,4	1481,3	1,2	P - 112 3 108,4	T 100A4	11,8
	13,2	216,6	1436,9	3,8	P E 150 216,61	T 90L2	16,0
	13,0	73,8	1518,0	3,6	P L 115 3 73,8	T 112A6	26,0
	13,0	74,0	1506,8	0,9	P L 85 3 74	T 112A6	11,0
	13,0	72,6	1508,8	1,2	P - 112 3 72,6	T 100BL6	11,8
	12,9	110,5	1526,2	2,2	P L 105 3 110,5	T 100A4	22,0
	12,9	74,2	1509,9	1,6	P L 95 3 74,2	T 112A6	16,0
	12,9	220,9	1514,5	1,0	P - 112 3 220,9	T 90L2	11,8
	12,9	221,3	1517,2	1,4	P L 95 3 221,3	T 90L2	16,0
	12,7	73,8	1550,2	3,5	P L 115 3 73,8	T 100BL6	26,0
	12,7	74,0	1538,5	0,8	P L 85 3 74	T 100BL6	11,0
	12,7	74,2	1542,1	1,6	P L 95 3 74,2	T 100BL6	16,0
	12,6	113,5	1551,1	0,8	P L 85 3 113,5	T 100A4	11,0
	12,5	227,3	1507,8	2,1	P E 125 227,28	T 90L2	10,5
	12,5	114,3	1578,6	3,2	P L 115 3 114,3	T 100A4	26,0
	12,3	116,0	1584,6	1,5	P L 95 3 116	T 100A4	16,0
	12,2	78,5	1597,8	1,2	P - 112 3 78,5	T 112A6	11,8
	12,2	117,2	1601,5	1,1	P - 112 3 117,2	T 100A4	11,8
	12,2	234,0	1552,4	2,3	P E 132 234	T 90L2	12,0
	12,0	79,8	1641,7	2,0	P L 105 3 79,8	T 112A6	22,0
	12,0	78,5	1632,2	1,1	P - 112 3 78,5	T 100BL6	11,8
	11,8	241,0	1651,7	0,9	P - 112 3 241	T 90L2	11,8
	11,8	81,3	1672,3	3,3	P L 115 3 81,3	T 112A6	26,0
	11,8	121,2	1673,8	3,0	P L 115 3 121,2	T 100A4	26,0
	11,8	79,8	1676,6	1,9	P L 105 3 79,8	T 100BL6	22,0
	11,7	243,2	1667,3	1,3	P L 95 3 243,2	T 90L2	16,0
	11,6	81,3	1708,5	3,2	P L 115 3 81,3	T 100BL6	26,0
	11,4	251,2	1665,9	1,9	P E 125 251,17	T 90L2	10,5
	11,3	126,1	1741,6	2,0	P L 105 3 126,1	T 100A4	22,0
	11,3	84,9	1728,1	0,8	P L 85 3 84,9	T 112A6	11,0
	11,2	86,0	1750,7	1,4	P L 95 3 86	T 112A6	16,0
	11,2	128,3	1752,4	1,0	P - 112 3 128,3	T 100A4	11,8
	11,1	84,9	1765,4	0,7	P L 85 3 84,9	T 100BL6	11,0
	11,0	87,2	1793,9	3,0	P L 115 3 87,2	T 112A6	26,0
	11,0	87,3	1776,0	1,0	P - 112 3 87,3	T 112A6	11,8
	11,0	87,4	1798,8	1,9	P L 105 3 87,4	T 112A6	22,0
	11,0	260,3	1726,8	2,0	P E 132 260,34	T 90L2	12,0
	10,9	86,0	1787,4	1,3	P L 95 3 86	T 100BL6	16,0
	10,8	87,2	1832,0	2,9	P L 115 3 87,2	T 100BL6	26,0
	10,8	87,3	1814,6	1,0	P - 112 3 87,3	T 100BL6	11,8
	10,8	87,4	1835,2	1,8	P L 105 3 87,4	T 100BL6	22,0
	10,7	265,4	1760,5	3,1	P E 150 265,44	T 90L2	16,0
	10,7	266,2	1824,6	1,2	P L 95 3 266,2	T 90L2	16,0
	10,6	134,4	1836,5	1,3	P L 95 3 134,4	T 100A4	16,0
	10,6	90,6	1863,1	1,9	P L 105 3 90,6	T 112A6	22,0
	10,5	135,8	1875,5	2,7	P L 115 3 135,8	T 100A4	26,0
	10,4	273,5	1814,7	1,7	P E 125 273,48	T 90L2	10,5
	10,4	90,6	1902,4	1,8	P L 105 3 90,6	T 100BL6	22,0
	10,3	93,6	1904,1	1,0	P - 112 3 93,6	T 112A6	11,8
	10,3	278,1	1906,4	0,8	P - 112 3 278,1	T 90L2	11,8
	10,2	139,9	1932,3	1,8	P L 105 3 139,9	T 100A4	22,0
	10,1	280,9	1864,7	2,9	P E 150 280,94	T 90L2	16,0
	10,1	141,7	1957,3	3,8	P L 125 3 141,7	T 100A4	33,0
	10,0	93,6	1945,8	1,0	P - 112 3 93,6	T 100BL6	11,8
	10,0	286,5	1900,3	1,8	P E 132 286,51	T 90L2	12,0
	9,8	98,4	2002,3	1,2	P L 95 3 98,4	T 112A6	16,0
	9,7	148,0	2023,1	0,9	P - 112 3 148	T 100A4	11,8
	9,7	148,2	2046,5	2,4	P L 115 3 148,2	T 100A4	26,0
	9,6	97,6	2050,8	4,0	P L 125 3 97,6	T 100BL6	33,0
	9,6	100,4	2066,0	1,7	P L 105 3 100,4	T 112A6	22,0
	9,6	98,4	2045,7	1,2	P L 95 3 98,4	T 100BL6	16,0
	9,4	151,5	2003,1	1,7	P E 125 151,48	T 100A4	10,5
	9,4	100,4	2110,1	1,7	P L 105 3 100,4	T 100BL6	22,0
	9,3	153,9	2126,1	1,6	P L 105 3 153,9	T 100A4	22,0
	9,3	307,7	2041,8	1,6	P E 125 307,71	T 90L2	10,5
	9,2	103,9	2137,5	2,5	P L 115 3 103,9	T 112A6	26,0
	9,2	155,1	2142,0	3,5	P L 125 3 155,1	T 100A4	33,0
	9,2	310,5	2059,6	2,6	P E 150 310,47	T 90L2	16,0
	9,1	103,9	2182,4	2,4	P L 115 3 103,9	T 100BL6	26,0
	9,0	106,2	2184,8	3,7	P L 125 3 106,2	T 112A6	33,0
	9,0	158,6	2096,2	1,9	P E 132 158,56	T 100A4	12,0
	9,0	316,6	2101,0	1,7	P E 132 316,62	T 90L2	12,0
	9,0	158,9	2171,1	1,1	P L 95 3 158,9	T 100A4	16,0
	8,9	108,4	2205,9	0,8	P - 112 3 108,4	T 112A6	11,8
	8,9	106,2	2231,7	3,7	P L 125 3 106,2	T 100BL6	33,0
	8,8	325,0	2156,1	2,5	P E 150 325	T 90L2	16,0
	8,8	163,1	2251,8	2,2	P L 115 3 163,1	T 100A4	26,0
	8,7	110,5	2272,7	1,6	P L 105 3 110,5	T 112A6	22,0
	8,7	108,4	2253,3	0,8	P - 112 3 108,4	T 100BL6	11,8
	8,6	330,6	2193,5	3,7	P E 170 330,6	T 90L2	21,0
	8,6	167,0	2282,2	0,8	P - 112 3 167	T 100A4	11,8
	8,5	110,5	2320,8	1,5	P L 105 3 110,5	T 100BL6	22,0
	8,5	169,2	2336,9	1,5	P L 105 3 169,2	T 100A4	22,0
	8,4	114,3	2351,2	2,3	P L 115 3 114,3	T 112A6	26,0
	8,4	170,7	2356,8	3,2	P L 125 3 170,7	T 100A4	33,0
	8,3	116,0	2360,3	1,0	P L 95 3 116	T 112A6	16,0
	8,3	116,3	2393,7	3,4	P L 125 3 116,3	T 112A6	33,0
	8,2	173,5	2294,7	1,7	P E 132 173,51	T 100A4	12,0
	8,2	114,3	2402,6	2,3	P L 115 3 114,3	T 100BL6	26,0
	8,2	117,2	2386,0	0,8	P - 112 3 117,2	T 112A6	11,8
	8,1	350,3	2322,6	1,1	P E 125 350,27	T 90L2	10,5



2,2







HIGH TECH *line* Motion

P ₁ Input Power kW	n ₂ Output speed min ⁻¹	IR ratio -	T ₂ Output torque Nm	FS' Service Factor -	 GEAR	 EU	P _{tn} Thermal capacity kW
2,2	8,1	116,0	2412,1	1,0	P L 95 3 116	T 100BL6	16,0
	8,1	352,5	2337,6	1,5	P E 132 352,46	T 90L2	12,0
	8,1	116,3	2444,2	3,3	P L 125 3 116,3	T 100BL6	33,0
	8,0	117,2	2435,7	0,8	P - 112 3 117,2	T 100BL6	11,8
	8,0	357,1	2369,7	3,4	P E 170 357,1	T 90L2	21,0
	7,9	359,2	2384,6	2,3	P E 150 359,17	T 90L2	16,0
	7,9	121,2	2493,6	2,2	P L 115 3 121,2	T 112A6	26,0
	7,8	121,2	2545,0	2,1	P L 115 3 121,2	T 100BL6	26,0
	7,7	185,2	2558,1	1,4	P L 105 3 185,2	T 100A4	22,0
	7,7	185,6	2455,4	1,4	P E 125 185,62	T 100A4	10,5
	7,6	187,1	2556,9	0,9	P L 95 3 187,1	T 100A4	16,0
	7,6	126,1	2595,4	1,4	P L 105 3 126,1	T 112A6	22,0
	7,6	189,1	2612,4	2,9	P L 125 3 189,1	T 100A4	33,0
	7,6	377,5	2504,6	3,2	P E 170 377,45	T 90L2	21,0
	7,5	127,9	2629,9	3,1	P L 125 3 127,9	T 112A6	33,0
	7,5	190,3	2629,7	1,9	P L 115 3 190,3	T 100A4	26,0
	7,5	191,0	2524,4	1,6	P E 132 190,95	T 100A4	12,0
	7,5	380,8	2528,2	2,1	P E 150 380,82	T 90L2	16,0
	7,5	128,3	2613,0	0,7	P - 112 3 128,3	T 112A6	11,8
	7,5	126,1	2651,2	1,4	P L 105 3 126,1	T 100BL6	22,0
	7,4	383,9	2548,0	1,3	P E 125 383,88	T 90L2	10,5
	7,4	127,9	2686,9	3,0	P L 125 3 127,9	T 100BL6	33,0
	7,4	387,9	2572,7	1,4	P E 132 387,9	T 90L2	12,0
	7,2	199,5	2724,5	0,9	P L 95 3 199,5	T 100A4	16,0
	7,1	134,4	2737,2	0,9	P L 95 3 134,4	T 112A6	16,0
	7,1	135,8	2793,1	1,9	P L 115 3 135,8	T 112A6	26,0
	7,0	134,4	2795,1	0,9	P L 95 3 134,4	T 100BL6	16,0
	7,0	409,3	2716,9	3,0	P E 170 409,33	T 90L2	21,0
	6,9	135,8	2853,7	1,9	P L 115 3 135,8	T 100BL6	26,0
	6,9	139,9	2878,9	1,3	P L 105 3 139,9	T 112A6	22,0
	6,9	416,3	2760,8	1,2	P E 125 416,28	T 90L2	10,5
	6,8	210,3	2904,7	1,7	P L 115 3 210,3	T 100A4	26,0
	6,8	141,7	2917,3	2,8	P L 125 3 141,7	T 112A6	33,0
	6,8	420,9	2793,3	1,9	P E 150 420,86	T 90L2	16,0
	6,7	212,6	2809,7	1,4	P E 132 212,62	T 100A4	12,0
	6,7	139,9	2939,2	1,3	P L 105 3 139,9	T 100BL6	22,0
	6,7	215,0	2843,6	3,2	P E 170 215,02	T 100A4	21,0
	6,6	141,7	2978,7	2,7	P L 125 3 141,7	T 100BL6	33,0
	6,6	216,6	2865,2	2,1	P E 150 216,61	T 100A4	16,0
	6,5	148,2	3047,5	1,8	P L 115 3 148,2	T 112A6	26,0
	6,5	439,7	2917,8	1,2	P E 132 439,72	T 90L2	12,0
	6,5	221,3	3024,1	0,8	P L 95 3 221,3	T 100A4	16,0
	6,4	445,6	2954,7	2,7	P E 170 445,6	T 90L2	21,0
	6,4	448,2	2973,0	3,9	P E 190 448,15	T 90L2	27,0
	6,3	148,2	3114,9	1,7	P L 115 3 148,2	T 100BL6	26,0
	6,3	151,5	2982,2	1,2	P E 125 151,48	T 112A6	10,5
	6,3	227,3	3006,6	1,2	P E 125 227,28	T 100A4	10,5
	6,2	153,9	3164,4	1,2	P L 105 3 153,9	T 112A6	22,0
	6,2	229,4	3170,0	1,6	P L 115 3 229,4	T 100A4	26,0
	6,2	458,3	3039,9	1,8	P E 150 458,31	T 90L2	16,0
6,2	151,5	3044,7	1,2	P E 125 151,48	T 100BL6	10,5	
6,2	155,1	3190,8	2,6	P L 125 3 155,1	T 112A6	33,0	
6,2	461,9	3064,9	1,0	P E 125 461,93	T 90L2	10,5	
6,1	234,0	3094,2	1,3	P E 132 234	T 100A4	12,0	
6,1	153,9	3232,5	1,2	P L 105 3 153,9	T 100BL6	22,0	
6,1	155,1	3259,1	2,5	P L 125 3 155,1	T 100BL6	33,0	
6,1	158,6	3125,0	1,3	P E 132 158,56	T 112A6	12,0	
6,0	158,9	3235,3	0,7	P L 95 3 158,9	T 112A6	16,0	
5,9	158,6	3188,4	1,3	P E 132 158,56	T 100BL6	12,0	
5,9	158,9	3300,0	0,7	P L 95 3 158,9	T 100BL6	16,0	
5,9	483,2	3205,0	3,6	P E 190 483,23	T 90L2	27,0	
5,9	483,2	3205,0	2,5	P E 170 483,23	T 90L2	21,0	
5,9	163,1	3353,0	1,6	P L 115 3 163,1	T 112A6	26,0	
5,9	483,9	3211,0	1,1	P E 132 483,92	T 90L2	12,0	
5,9	243,2	3322,8	0,7	P L 95 3 243,2	T 100A4	16,0	
5,8	246,9	3265,6	3,8	P E 190 246,94	T 100A4	27,0	
5,8	246,9	3265,7	2,8	P E 170 246,94	T 100A4	21,0	
5,8	163,1	3428,8	1,6	P L 115 3 163,1	T 100BL6	26,0	
5,7	251,2	3323,3	1,1	P E 125 251,17	T 100A4	10,5	
5,7	501,5	3328,7	1,6	P E 150 501,52	T 90L2	16,0	
5,7	169,2	3483,3	1,1	P L 105 3 169,2	T 112A6	22,0	
5,6	170,7	3514,1	2,3	P L 125 3 170,7	T 112A6	33,0	
5,6	169,2	3552,6	1,1	P L 105 3 169,2	T 100BL6	22,0	
5,5	173,5	3418,8	1,2	P E 132 173,51	T 112A6	12,0	
5,5	170,7	3584,2	2,3	P L 125 3 170,7	T 100BL6	33,0	
5,5	260,3	3444,2	1,2	P E 132 260,34	T 100A4	12,0	
5,5	520,0	3450,8	2,3	P E 170 520,04	T 90L2	21,0	
5,5	519,6	3451,0	0,9	P E 125 519,6	T 90L2	10,5	
5,4	524,8	3482,6	1,0	P E 132 524,76	T 90L2	12,0	
5,4	526,2	3488,7	3,3	P E 190 526,24	T 90L2	27,0	
5,4	173,5	3489,3	1,1	P E 132 173,51	T 100BL6	12,0	
5,4	265,4	3507,8	1,7	P E 150 265,44	T 100A4	16,0	
5,3	267,7	3698,7	1,4	P L 115 3 267,7	T 100A4	26,0	
5,3	268,9	3554,3	3,5	P E 190 268,91	T 100A4	27,0	
5,3	268,8	3554,1	2,5	P E 170 268,78	T 100A4	21,0	
5,3	182,2	3588,2	3,5	P E 190 182,17	T 112A6	27,0	
5,2	543,9	3608,2	1,0	P E 132 543,89	T 90L2	12,0	
5,2	273,5	3615,8	0,9	P E 125 273,48	T 100A4	10,5	
5,2	549,0	3643,1	1,5	P E 150 548,95	T 90L2	16,0	
5,2	185,2	3812,7	1,0	P L 105 3 185,2	T 112A6	22,0	
5,2	185,6	3658,0	1,0	P E 125 185,62	T 112A6	10,5	
5,2	182,2	3664,7	3,4	P E 190 182,17	T 100BL6	27,0	
5,1	559,2	3707,9	2,2	P E 170 559,19	T 90L2	21,0	
5,1	280,9	3715,2	1,6	P E 150 280,94	T 100A4	16,0	
5,1	189,1	3887,4	2,1	P L 125 3 189,1	T 112A6	33,0	

P ₁ Input Power kW	n ₂ Output speed min ⁻¹	IR ratio -	T2 Ouput torque Nm	FS' Service Factor -	 GEAR	 EU	P _{tn} Thermal capacity kW
2,2	5,1	185,2	3887,0	1,0	P L 105 3 185.2	T 100BL6	22,0
	5,1	185,6	3736,1	0,9	P E 125 185,62	T 100BL6	10,5
	5,0	190,3	3919,1	1,4	P L 115 3 190.3	T 112A6	26,0
	5,0	191,0	3759,1	1,1	P E 132 190,95	T 112A6	12,0
	5,0	286,5	3789,8	1,1	P E 132 286,51	T 100A4	12,0
	5,0	189,1	3973,3	2,1	P L 125 3 189.1	T 100BL6	33,0
	5,0	575,9	3820,0	3,0	P E 190 575,86	T 90L2	27,0
	4,9	190,3	3997,6	1,4	P L 115 3 190.3	T 100BL6	26,0
	4,9	290,0	4005,8	1,2	P L 115 3 290	T 100A4	26,0
	4,9	191,0	3842,8	1,0	P E 132 190,95	T 100BL6	12,0
	4,9	291,5	3851,0	3,2	P E 190 291,48	T 100A4	27,0
	4,9	580,5	3852,1	0,7	P E 125 580,52	T 90L2	10,5
	4,8	595,3	3948,2	1,4	P E 150 595,28	T 90L2	16,0
	4,8	595,2	3946,7	0,9	P E 132 595,18	T 90L2	12,0
	4,7	302,0	3989,5	2,3	P E 170 301,96	T 100A4	21,0
	4,7	302,5	3997,7	3,1	P E 190 302,51	T 100A4	27,0
	4,7	606,4	4022,9	2,9	P E 190 606,41	T 90L2	27,0
	4,7	606,4	4023,5	2,0	P E 170 606,41	T 90L2	21,0
	4,7	307,7	4065,5	0,9	P E 125 307,71	T 100A4	10,5
	4,6	310,5	4101,9	1,5	P E 150 310,47	T 100A4	16,0
	4,6	210,7	4146,6	3,0	P E 190 210,74	T 112A6	27,0
	4,6	210,3	4331,6	1,3	P L 115 3 210.3	T 112A6	26,0
	4,6	625,2	4146,1	0,8	P E 125 625,23	T 90L2	10,5
	4,5	316,6	4182,5	1,0	P E 132 316,62	T 100A4	12,0
	4,5	212,6	4182,5	1,0	P E 132 212,62	T 112A6	12,0
	4,5	317,4	4192,7	3,0	P E 190 317,42	T 100A4	27,0
	4,5	210,3	4417,9	1,2	P L 115 3 210.3	T 100BL6	26,0
	4,5	210,7	4239,9	2,9	P E 190 210,74	T 100BL6	27,0
	4,5	215,0	4239,8	2,1	P E 170 215,02	T 112A6	21,0
	4,4	216,6	4269,1	1,4	P E 150 216,61	T 112A6	16,0
	4,4	643,2	4268,8	1,3	P E 150 643,23	T 90L2	16,0
	4,4	212,6	4278,1	0,9	P E 132 212,62	T 100BL6	12,0
	4,4	325,0	4296,9	1,4	P E 150 325	T 100A4	16,0
	4,4	648,4	4297,9	0,7	P E 125 648,43	T 90L2	10,5
	4,4	649,0	4307,5	1,9	P E 170 649	T 90L2	21,0
	4,4	215,0	4326,9	2,1	P E 170 215,02	T 100BL6	21,0
	4,4	655,0	4347,8	0,8	P E 132 655,01	T 90L2	12,0
	4,3	329,4	4356,8	2,9	P E 190 329,43	T 100A4	27,0
	4,3	216,6	4356,4	1,4	P E 150 216,61	T 100BL6	16,0
	4,3	330,6	4367,0	2,1	P E 170 330,6	T 100A4	21,0
	4,3	660,4	4377,2	2,6	P E 190 660,37	T 90L2	27,0
	4,2	227,3	4482,0	0,8	P E 125 227,28	T 112A6	10,5
	4,2	229,4	4724,6	1,2	P L 115 3 229.4	T 112A6	26,0
	4,1	227,3	4567,0	0,8	P E 125 227,28	T 100BL6	10,5
	4,1	347,4	4589,5	2,7	P E 190 347,35	T 100A4	27,0
	4,1	229,4	4817,7	1,1	P L 115 3 229.4	T 100BL6	26,0
	4,1	234,0	4612,2	0,9	P E 132 234	T 112A6	12,0
	4,1	697,5	4622,6	1,2	P E 150 697,51	T 90L2	16,0
	4,1	697,9	4634,6	1,7	P E 170 697,85	T 90L2	21,0
	4,1	352,5	4658,5	0,9	P E 132 352,46	T 100A4	12,0
4,0	704,9	4680,9	2,5	P E 190 704,94	T 90L2	27,0	
4,0	234,0	4703,4	0,9	P E 132 234	T 100BL6	12,0	
4,0	357,1	4727,5	2,6	P E 190 357,1	T 100A4	27,0	
4,0	357,1	4727,8	1,9	P E 170 357,1	T 100A4	21,0	
4,0	359,2	4751,6	1,3	P E 150 359,17	T 100A4	16,0	
3,9	246,9	4861,2	2,6	P E 190 246,94	T 112A6	27,0	
3,9	246,9	4861,3	1,9	P E 170 246,94	T 112A6	21,0	
3,8	743,0	4923,3	1,1	P E 150 743,02	T 90L2	16,0	
3,8	742,8	4923,3	0,7	P E 132 742,75	T 90L2	12,0	
3,8	251,2	4948,6	0,7	P E 125 251,17	T 112A6	10,5	
3,8	246,9	4963,0	2,5	P E 190 246,94	T 100BL6	27,0	
3,8	246,9	4962,4	1,8	P E 170 246,94	T 100BL6	21,0	
3,8	377,5	4988,7	1,8	P E 170 377,45	T 100A4	21,0	
3,8	756,8	5015,9	2,3	P E 190 756,78	T 90L2	27,0	
3,8	756,8	5015,5	1,6	P E 170 756,78	T 90L2	21,0	
3,8	380,8	5028,6	1,2	P E 150 380,82	T 100A4	16,0	
3,7	766,5	5083,4	1,1	P E 150 766,52	T 90L2	16,0	
3,7	260,3	5125,2	0,8	P E 132 260,34	T 112A6	12,0	
3,7	387,9	5125,2	0,8	P E 132 387,9	T 100A4	12,0	
3,7	388,9	5138,3	2,4	P E 190 388,88	T 100A4	27,0	
3,6	265,4	5223,6	1,1	P E 150 265,44	T 112A6	16,0	
3,6	260,3	5238,1	0,8	P E 132 260,34	T 100BL6	12,0	
3,6	267,7	5501,5	1,0	P L 115 3 267.7	T 112A6	26,0	
3,6	268,9	5296,6	2,4	P E 190 268,91	T 112A6	27,0	
3,6	268,8	5297,0	1,7	P E 170 268,78	T 112A6	21,0	
3,5	265,4	5342,0	1,1	P E 150 265,44	T 100BL6	16,0	
3,5	811,3	5386,9	1,5	P E 170 811,25	T 90L2	21,0	
3,5	267,7	5625,6	1,0	P L 115 3 267.7	T 100BL6	26,0	
3,5	268,9	5402,8	2,3	P E 190 268,91	T 100BL6	27,0	
3,5	268,8	5402,5	1,7	P E 170 268,78	T 100BL6	21,0	
3,5	409,3	5418,7	1,7	P E 170 409,33	T 100A4	21,0	
3,5	824,1	5465,5	2,1	P E 190 824,12	T 90L2	27,0	
3,4	831,2	5512,8	1,0	P E 150 831,21	T 90L2	16,0	
3,4	280,9	5530,0	1,1	P E 150 280,94	T 112A6	16,0	
3,4	420,9	5562,6	1,1	P E 150 420,86	T 100A4	16,0	
3,4	425,6	5627,2	2,2	P E 190 425,55	T 100A4	27,0	
3,4	280,9	5643,4	1,1	P E 150 280,94	T 100BL6	16,0	
3,4	286,5	5644,6	0,7	P E 132 286,51	T 112A6	12,0	
3,3	290,0	5967,5	0,9	P L 115 3 290	T 112A6	26,0	
3,3	291,5	5747,1	2,2	P E 190 291,48	T 112A6	27,0	
3,3	870,6	5783,8	0,9	P E 150 870,64	T 90L2	16,0	
3,2	879,8	5836,2	2,0	P E 190 879,75	T 90L2	27,0	
3,2	879,8	5836,9	1,4	P E 170 879,75	T 90L2	21,0	
3,2	290,0	6095,1	0,9	P L 115 3 290	T 100BL6	26,0	
3,2	291,5	5872,3	2,1	P E 190 291,48	T 100BL6	27,0	





HIGH TECH *line* Motion

P ₁ Input Power kW	n ₂ Output speed min ⁻¹	IR ratio -	T ₂ Output torque Nm	FS' Service Factor -			P _{tn} Thermal capacity kW
	3,2	445,6	5891,1	1,5	P E 170 445,6	T 100A4	21,0
	3,2	448,2	5928,0	2,1	P E 190 448,15	T 100A4	27,0
	3,2	302,0	5945,9	1,5	P E 170 301,96	T 112A6	21,0
	3,2	302,5	5965,3	2,1	P E 190 302,51	T 112A6	27,0
	3,1	458,3	6060,6	1,0	P E 150 458,31	T 100A4	16,0
	3,1	302,5	6080,0	2,1	P E 190 302,51	T 100BL6	27,0
	3,1	302,0	6079,2	1,5	P E 170 301,96	T 100BL6	21,0
	3,1	310,5	6119,6	1,0	P E 150 310,47	T 112A6	16,0
	3,0	310,5	6241,1	1,0	P E 150 310,47	T 100BL6	16,0
	3,0	317,4	6261,4	2,0	P E 190 317,42	T 112A6	27,0
	3,0	948,1	6282,4	0,9	P E 150 948,12	T 90L2	16,0
	3,0	958,0	6366,4	1,8	P E 190 958,04	T 90L2	27,0
	3,0	317,4	6387,9	2,0	P E 190 317,42	T 100BL6	27,0
	3,0	483,2	6387,9	2,0	P E 190 483,23	T 100A4	27,0
	3,0	483,2	6389,2	1,4	P E 170 483,23	T 100A4	21,0
	3,0	325,0	6410,9	0,9	P E 150 325	T 112A6	16,0
	2,9	329,4	6498,1	1,9	P E 190 329,43	T 112A6	27,0
	2,9	330,6	6519,6	1,4	P E 170 330,6	T 112A6	21,0
	2,9	981,4	6520,3	1,2	P E 170 981,35	T 90L2	21,0
	2,9	325,0	6544,4	0,9	P E 150 325	T 100BL6	16,0
	2,9	329,4	6634,5	1,9	P E 190 329,43	T 100BL6	27,0
	2,9	501,5	6633,2	0,9	P E 150 501,52	T 100A4	16,0
	2,8	330,6	6657,7	1,4	P E 170 330,6	T 100BL6	21,0
	2,8	347,4	6851,0	1,8	P E 190 347,35	T 112A6	27,0
	2,8	520,0	6875,0	1,3	P E 170 520,04	T 100A4	21,0
	2,8	1037,5	6875,0	0,8	P E 150 1037,52	T 90L2	16,0
	2,7	526,2	6951,5	1,8	P E 190 526,24	T 100A4	27,0
	2,7	347,4	6977,9	1,8	P E 190 347,35	T 100BL6	27,0
	2,7	357,1	7029,7	1,8	P E 190 357,1	T 112A6	27,0
	2,7	357,1	7028,8	1,3	P E 170 357,1	T 112A6	21,0
	2,7	1064,2	7055,2	1,6	P E 190 1064,22	T 90L2	27,0
	2,7	1064,2	7054,6	1,1	P E 170 1064,22	T 90L2	21,0
	2,7	359,2	7081,5	0,8	P E 150 359,17	T 112A6	16,0
	2,6	357,1	7189,5	1,7	P E 190 357,1	T 100BL6	27,0
	2,6	357,1	7189,5	1,3	P E 170 357,1	T 100BL6	21,0
	2,6	359,2	7217,1	0,8	P E 150 359,17	T 100BL6	16,0
	2,6	549,0	7272,7	0,8	P E 150 548,95	T 100A4	16,0
	2,6	559,2	7385,3	1,2	P E 170 559,19	T 100A4	21,0
	2,5	377,5	7443,6	1,2	P E 170 377,45	T 112A6	21,0
	2,5	380,8	7504,3	0,8	P E 150 380,82	T 112A6	16,0
	2,5	377,5	7594,9	1,2	P E 170 377,45	T 100BL6	21,0
	2,5	575,9	7624,1	1,6	P E 190 575,86	T 100A4	27,0
	2,5	388,9	7655,9	1,6	P E 190 388,88	T 112A6	27,0
	2,5	380,8	7656,6	0,8	P E 150 380,82	T 100BL6	16,0
	2,5	1158,9	7687,6	1,5	P E 190 1158,92	T 90L2	27,0
	2,5	1158,9	7687,7	1,1	P E 170 1158,92	T 90L2	21,0
	2,4	388,9	7814,7	1,6	P E 190 388,88	T 100BL6	27,0
	2,4	595,3	7880,6	0,8	P E 150 595,28	T 100A4	16,0
	2,4	606,4	8012,8	1,6	P E 190 606,41	T 100A4	27,0
	2,4	606,4	8013,0	1,1	P E 170 606,41	T 100A4	21,0
	2,4	409,3	8045,5	1,1	P E 170 409,33	T 112A6	21,0
	2,3	409,3	8222,6	1,1	P E 170 409,33	T 100BL6	21,0
	2,3	420,9	8291,5	0,7	P E 150 420,86	T 112A6	16,0
	2,3	425,6	8366,3	1,5	P E 190 425,55	T 112A6	27,0
	2,3	1268,2	8405,3	1,4	P E 190 1268,2	T 90L2	27,0
	2,3	1268,2	8405,7	1,0	P E 170 1268,2	T 90L2	21,0
	2,2	420,9	8477,8	0,7	P E 150 420,86	T 100BL6	16,0
	2,2	643,2	8516,1	0,7	P E 150 643,23	T 100A4	16,0
	2,2	425,6	8556,3	1,5	P E 190 425,55	T 100BL6	27,0
	2,2	649,0	8593,8	1,0	P E 170 649	T 100A4	21,0
	2,2	660,4	8713,6	1,4	P E 190 660,37	T 100A4	27,0
	2,2	445,6	8796,1	1,0	P E 170 445,6	T 112A6	21,0
	2,1	448,2	8836,8	1,4	P E 190 448,15	T 112A6	27,0
	2,1	445,6	8963,3	1,0	P E 170 445,6	T 100BL6	21,0
	2,1	448,2	9004,6	1,4	P E 190 448,15	T 100BL6	27,0
	2,1	697,9	9222,2	1,0	P E 170 697,85	T 100A4	21,0
	2,0	1395,7	9270,8	1,2	P E 190 1395,69	T 90L2	27,0
	2,0	1395,7	9266,8	0,9	P E 170 1395,69	T 90L2	21,0
	2,0	704,9	9315,7	1,3	P E 190 704,94	T 100A4	27,0
	2,0	483,2	9502,4	1,3	P E 190 483,23	T 112A6	27,0
	2,0	483,2	9501,0	0,9	P E 170 483,23	T 112A6	21,0
	2,0	483,2	9696,8	1,3	P E 190 483,23	T 100BL6	27,0
	2,0	483,2	9696,4	0,9	P E 170 483,23	T 100BL6	21,0
	1,9	756,8	10003,6	1,3	P E 190 756,78	T 100A4	27,0
	1,9	756,8	10005,1	0,9	P E 170 756,78	T 100A4	21,0
	1,9	520,0	10222,0	0,9	P E 170 520,04	T 112A6	21,0
	1,8	1546,4	10276,2	1,1	P E 190 1546,36	T 90L2	27,0
	1,8	1546,4	10276,8	0,8	P E 170 1546,36	T 90L2	21,0
	1,8	526,2	10389,1	1,2	P E 190 526,24	T 112A6	27,0
	1,8	520,0	10448,5	0,9	P E 170 520,04	T 100BL6	21,0
	1,8	526,2	10564,7	1,2	P E 190 526,24	T 100BL6	27,0
	1,8	811,3	10743,4	0,8	P E 170 811,25	T 100A4	21,0
	1,7	824,1	10865,3	1,2	P E 190 824,12	T 100A4	27,0
	1,7	559,2	10993,9	0,8	P E 170 559,19	T 112A6	21,0
	1,7	559,2	11256,4	0,8	P E 170 559,19	T 100BL6	21,0
	1,7	575,9	11321,5	1,1	P E 190 575,86	T 112A6	27,0
	1,6	575,9	11598,5	1,1	P E 190 575,86	T 100BL6	27,0
	1,6	879,8	11598,5	1,1	P E 190 879,75	T 100A4	27,0
	1,6	879,8	11599,3	0,8	P E 170 879,75	T 100A4	21,0
	1,6	606,4	11966,9	1,0	P E 190 606,41	T 112A6	27,0
	1,6	606,4	11971,0	0,8	P E 170 606,41	T 112A6	21,0
	1,6	606,4	12200,5	1,0	P E 190 606,41	T 100BL6	27,0
	1,6	606,4	12199,6	0,7	P E 170 606,41	T 100BL6	21,0
	1,5	958,0	12690,4	1,0	P E 190 958,04	T 100A4	27,0
	1,5	649,0	12774,2	0,7	P E 170 649	T 112A6	21,0

2,2





P₁ Input Power kW	n₂ Output speed min ⁻¹	IR ratio -	T2 Ouput torque Nm	FS' Service Factor -	 GEAR	 EU	Ptn Thermal capacity kW
2,2	1,5	660,4	13039,4	1,0	P E 190 660,37	T 112A6	27,0
	1,4	660,4	13317,2	0,9	P E 190 660,37	T 100BL6	27,0
	1,4	704,9	13902,9	0,9	P E 190 704,94	T 112A6	27,0
	1,3	1064,2	14109,8	0,9	P E 190 1064,22	T 100A4	27,0
	1,3	704,9	14219,2	0,9	P E 190 704,94	T 100BL6	27,0
	1,3	756,8	14889,0	0,8	P E 190 756,78	T 112A6	27,0
	1,2	756,8	15252,4	0,8	P E 190 756,78	T 100BL6	27,0
	1,2	1158,9	15371,7	0,8	P E 190 1158,92	T 100A4	27,0
	1,2	824,1	16301,1	0,8	P E 190 824,12	T 112A6	27,0
	1,1	824,1	16586,2	0,8	P E 190 824,12	T 100BL6	27,0
	1,1	1268,2	16737,7	0,7	P E 190 1268,2	T 100A4	27,0
	1,1	879,8	17350,2	0,7	P E 190 879,75	T 112A6	27,0
	1,1	879,8	17673,5	0,7	P E 190 879,75	T 100BL6	27,0







HIGH TECH *line* Motion

P ₁ Input Power kW	n ₂ Output speed min ⁻¹	IR ratio -	T ₂ Output torque Nm	FS' Service Factor -	 GEAR	 EU	P _{tn} Thermal capacity kW
	970.0	3.0	28.1	2.7	P - 63 2 3	T 100A2	5.6
	960.0	3.0	28.4	2.7	P - 63 2 3	T 90LB2	5.6
	746.2	3.9	36.5	2.5	P - 63 2 3.9	T 100A2	5.6
	738.5	3.9	36.9	2.4	P - 63 2 3.9	T 90LB2	5.6
	676.7	4.3	40.2	2.4	P - 63 2 4.3	T 100A2	5.6
	669.8	4.3	40.6	2.3	P - 63 2 4.3	T 90LB2	5.6
	582.0	5.0	46.8	2.4	P - 63 2 5	T 100A2	5.6
	576.0	5.0	47.3	2.3	P - 63 2 5	T 90LB2	5.6
	550.0	2.6	49.5	2.6	P - 71 2 2.6	T 100B4	7.5
	549.1	5.3	49.6	3.6	P - 71 2 5.3	T 100A2	7.5
	543.4	5.3	50.1	3.6	P - 71 2 5.3	T 90LB2	7.5
	519.6	5.6	52.4	2.4	P - 63 2 5.6	T 100A2	5.6
	514.3	5.6	52.9	2.4	P - 63 2 5.6	T 90LB2	5.6
	476.7	3.0	57.1	1.4	P - 63 2 3	T 100B4	5.6
	469.4	6.2	58.0	4.0	P - 71 2 6.2	T 100A2	7.5
	469.4	6.2	58.0	2.2	P - 63 2 6.2	T 100A2	5.6
	464.5	6.2	58.6	3.9	P - 71 2 6.2	T 90LB2	7.5
	464.5	6.2	58.6	2.2	P - 63 2 6.2	T 90LB2	5.6
	447.7	6.5	60.8	2.2	P - 63 2 6.5	T 100A2	5.6
	446.9	3.2	60.9	2.5	P - 71 2 3.2	T 100B4	7.5
	443.1	6.5	61.4	2.2	P - 63 2 6.5	T 90LB2	5.6
	393.2	7.4	69.2	2.0	P - 63 2 7.4	T 100A2	5.6
	389.2	7.4	69.9	2.0	P - 63 2 7.4	T 90LB2	5.6
	376.3	3.8	72.3	2.4	P - 71 2 3.8	T 100B4	7.5
	369.2	2.6	73.7	1.8	P - 71 2 2.6	T 112B6	7.5
	366.7	3.9	74.2	1.5	P - 63 2 3.9	T 100B4	5.6
	363.8	8.0	74.8	2.0	P - 63 2 8	T 100A2	5.6
	360.0	8.0	75.6	2.0	P - 63 2 8	T 90LB2	5.6
	334.5	8.7	81.4	3.4	P - 71 2 8.7	T 100A2	7.5
	332.6	4.3	81.8	2.4	P - 71 2 4.3	T 100B4	7.5
	332.6	4.3	81.8	1.6	P - 63 2 4.3	T 100B4	5.6
	331.0	8.7	82.2	3.4	P - 71 2 8.7	T 90LB2	7.5
	323.3	9.0	84.2	2.0	P - 63 2 9	T 100A2	5.6
	320.0	9.0	85.1	1.9	P - 63 2 9	T 90LB2	5.6
	320.0	3.0	85.1	1.0	P - 63 2 3	T 112B6	5.6
	300.0	3.2	90.7	1.7	P - 71 2 3.2	T 112B6	7.5
	286.0	5.0	95.2	1.5	P - 63 2 5	T 100B4	5.6
	285.3	10.2	95.4	3.9	P - 71 2 10.2	T 100A2	7.5
	282.4	10.2	96.4	3.8	P - 71 2 10.2	T 90LB2	7.5
	279.8	10.4	97.3	1.9	P - 63 2 10.4	T 100A2	5.6
	276.9	10.4	98.3	1.8	P - 63 2 10.4	T 90LB2	5.6
	269.8	5.3	100.9	2.1	P - 71 2 5.3	T 100B4	7.5
	255.4	5.6	106.6	1.5	P - 63 2 5.6	T 100B4	5.6
	252.6	3.8	107.7	1.7	P - 71 2 3.8	T 112B6	7.5
	250.9	11.6	108.5	3.5	P - 71 2 11.6	T 100A2	7.5
	248.3	11.6	109.6	3.5	P - 71 2 11.6	T 90LB2	7.5
	246.6	11.8	110.4	1.7	P - 63 2 11.8	T 100A2	5.6
	246.2	3.9	110.6	1.0	P - 63 2 3.9	T 112B6	5.6
	244.1	11.8	111.5	1.7	P - 63 2 11.8	T 90LB2	5.6
	236.6	12.3	115.0	2.4	P - 71 2 12.3	T 100A2	7.5
	234.2	12.3	116.2	2.4	P - 71 2 12.3	T 90LB2	7.5
	230.7	6.2	118.0	2.2	P - 71 2 6.2	T 100B4	7.5
	230.7	6.2	118.0	1.4	P - 63 2 6.2	T 100B4	5.6
	223.3	4.3	121.9	1.7	P - 71 2 4.3	T 112B6	7.5
	223.3	4.3	121.9	1.1	P - 63 2 4.3	T 112B6	5.6
	220.0	6.5	123.7	1.4	P - 63 2 6.5	T 100B4	5.6
	215.6	13.5	126.3	1.6	P - 63 2 13.5	T 100A2	5.6
	213.3	13.5	127.6	1.6	P - 63 2 13.5	T 90LB2	5.6
	207.9	14.0	130.9	3.1	P - 71 2 14	T 100A2	7.5
	205.7	14.0	132.3	3.0	P - 71 2 14	T 90LB2	7.5
	202.1	14.4	134.7	1.4	P - 63 2 14.4	T 100A2	5.6
	201.4	7.1	135.1	2.2	P - 71 2 7.1	T 100B4	7.5
	200.0	14.4	136.1	1.4	P - 63 2 14.4	T 90LB2	5.6
	193.2	7.4	140.8	1.3	P - 63 2 7.4	T 100B4	5.6
	192.0	5.0	141.8	1.1	P - 63 2 5	T 112B6	5.6
	183.0	5.3	148.7	3.6	P - 90 2 5.3	T 132S6	10.5
	181.1	5.3	150.3	3.5	P - 90 2 5.3	T 112B6	10.5
	181.1	5.3	150.3	1.5	P - 71 2 5.3	T 112B6	7.5
	180.8	16.1	150.6	2.8	P - 71 2 16.1	T 100A2	7.5
	178.9	16.1	152.2	2.8	P - 71 2 16.1	T 90LB2	7.5
	178.8	8.0	152.3	1.3	P - 63 2 8	T 100B4	5.6
	172.2	16.9	158.1	1.5	P - 63 2 16.9	T 100A2	5.6
	171.4	5.6	158.8	1.1	P - 63 2 5.6	T 112B6	5.6
	170.4	16.9	159.7	1.4	P - 63 2 16.9	T 90LB2	5.6
	168.2	17.3	161.8	2.6	P - 71 2 17.3	T 100A2	7.5
	166.5	17.3	163.5	2.6	P - 71 2 17.3	T 90LB2	7.5
	164.4	5.9	165.5	3.4	P - 90 2 5.9	T 132S6	10.5
	164.4	8.7	165.6	3.4	P - 90 2 8.7	T 100B4	10.5
	164.4	8.7	165.6	1.9	P - 71 2 8.7	T 100B4	7.5
	162.7	5.9	167.3	3.3	P - 90 2 5.9	T 112B6	10.5
	158.9	9.0	171.3	1.2	P - 63 2 9	T 100B4	5.6
	155.6	18.7	174.9	2.4	P - 71 2 18.7	T 100A2	7.5
	154.8	6.2	175.8	1.7	P - 71 2 6.2	T 112B6	7.5
	154.8	6.2	175.8	1.0	P - 63 2 6.2	T 112B6	5.6
	154.0	18.7	176.7	2.4	P - 71 2 18.7	T 90LB2	7.5
	153.8	9.3	177.0	3.2	P - 90 2 9.3	T 100B4	10.5
	152.1	9.4	178.9	3.9	P - 80 2 9.4	T 100B4	7.5
	149.3	19.5	182.3	3.0	P - 80 2 19.49	T 100A2	7.5
	147.8	19.5	184.2	2.9	P - 80 2 19.49	T 90LB2	7.5
	147.7	6.5	184.3	1.0	P - 63 2 6.5	T 112B6	5.6
	147.0	19.8	185.2	4.0	P - 90 2 19.8	T 100A2	10.5
	147.0	19.8	185.2	1.2	P - 63 2 19.8	T 100A2	5.6
	145.5	19.8	187.1	4.0	P - 90 2 19.8	T 90LB2	10.5
	145.5	19.8	187.1	1.2	P - 63 2 19.8	T 90LB2	5.6
	145.2	6.7	187.4	4.0	P - 80 2 6.68	T 132S6	7.5

3





P ₁ Input Power kW	n ₂ Output speed min ⁻¹	IR ratio -	T2 Ouput torque Nm	FS' Service Factor -	 GEAR	 EU	P _{tn} Thermal capacity kW
	144,8	6,7	188,0	3,2	P - 90 2 6.7	T 132S6	10,5
	144,1	20,2	188,9	2,2	P - 71 2 20.2	T 100A2	7,5
	143,7	6,7	189,4	3,9	P - 80 2 6.68	T 112B6	7,5
	143,3	6,7	190,0	3,2	P - 90 2 6.7	T 112B6	10,5
	142,6	20,2	190,9	2,2	P - 71 2 20.2	T 90LB2	7,5
	142,4	10,0	191,1	3,5	P - 80 2 10.04	T 100B4	7,5
	142,0	20,5	191,7	1,1	P - 63 2 20.5	T 100A2	5,6
	141,7	20,5	192,0	2,8	P - 80 2 20.53	T 100A2	7,5
	140,5	20,5	193,7	1,1	P - 63 2 20.5	T 90LB2	5,6
	140,3	20,5	194,0	2,8	P - 80 2 20.53	T 90LB2	7,5
	140,2	10,2	194,1	2,2	P - 71 2 10.2	T 100B4	7,5
	137,5	10,4	198,0	1,1	P - 63 2 10.4	T 100B4	5,6
	136,0	21,4	200,2	3,7	P - 90 2 21.4	T 100A2	10,5
	135,6	21,5	200,7	2,7	P - 80 2 21.46	T 100A2	7,5
	135,2	7,1	201,3	1,6	P - 71 2 7.1	T 112B6	7,5
	134,6	21,4	202,2	3,7	P - 90 2 21.4	T 90LB2	10,5
	134,4	7,2	202,6	3,6	P - 80 2 7.22	T 132S6	7,5
	134,2	21,5	202,8	2,7	P - 80 2 21.46	T 90LB2	7,5
	133,0	7,2	204,7	3,6	P - 80 2 7.22	T 112B6	7,5
	132,9	21,9	204,8	2,1	P - 71 2 21.9	T 100A2	7,5
	131,5	21,9	207,0	2,0	P - 71 2 21.9	T 90LB2	7,5
	129,7	7,4	209,8	0,9	P - 63 2 7.4	T 112B6	5,6
	124,4	7,8	218,9	3,2	P - 90 2 7.8	T 132S6	10,5
	123,3	11,6	220,8	1,9	P - 71 2 11.6	T 100B4	7,5
	123,1	7,8	221,1	3,2	P - 90 2 7.8	T 112B6	10,5
	123,1	11,6	221,2	3,0	P - 80 2 11.62	T 100B4	7,5
	122,3	23,8	217,9	3,3	P L 85 3 23.8	T 100A2	11,0
	121,8	23,9	223,4	2,4	P - 80 2 23.89	T 100A2	7,5
	121,2	11,8	224,6	1,0	P - 63 2 11.8	T 100B4	5,6
	121,0	23,8	220,2	3,3	P L 85 3 23.8	T 90LB2	11,0
	120,8	24,1	225,4	0,9	P - 63 2 24.1	T 100A2	5,6
	120,6	23,9	225,8	2,4	P - 80 2 23.89	T 90LB2	7,5
	120,0	8,0	226,8	0,9	P - 63 2 8	T 112B6	5,6
	119,5	24,1	227,8	0,9	P - 63 2 24.1	T 90LB2	5,6
	116,4	25,0	233,8	3,2	P - 90 2 25	T 100A2	10,5
	116,3	12,3	234,1	3,9	P - 90 2 12.3	T 100B4	10,5
	116,3	12,3	234,1	1,3	P - 71 2 12.3	T 100B4	7,5
	116,0	8,4	234,6	3,2	P - 80 2 8.36	T 132S6	7,5
	115,2	25,0	236,3	3,1	P - 90 2 25	T 90LB2	10,5
	115,0	25,3	236,6	1,5	P - 71 2 25.3	T 100A2	7,5
	114,8	8,4	237,0	3,1	P - 80 2 8.36	T 112B6	7,5
	113,8	25,3	239,1	1,5	P - 71 2 25.3	T 90LB2	7,5
	111,5	8,7	244,1	2,3	P - 90 2 8.7	T 132S6	10,5
	111,5	26,1	244,1	0,9	P - 63 2 26.1	T 100A2	5,6
	110,7	26,3	246,0	2,2	P - 80 2 26.3	T 100A2	7,5
	110,3	8,7	246,7	2,3	P - 90 2 8.7	T 112B6	10,5
	110,3	8,7	246,7	1,4	P - 71 2 8.7	T 112B6	7,5
	110,3	26,1	246,6	0,9	P - 63 2 26.1	T 90LB2	5,6
	110,2	26,4	241,7	2,2	P L 65 3 26.4	T 100A2	8,0
	109,5	26,3	248,5	2,2	P - 80 2 26.3	T 90LB2	7,5
	109,1	26,4	244,2	2,2	P L 65 3 26.4	T 90LB2	8,0
	106,7	9,0	255,2	0,9	P - 63 2 9	T 112B6	5,6
	105,9	13,5	256,9	1,0	P - 63 2 13.5	T 100B4	5,6
	105,8	27,5	251,8	3,4	P L 85 3 27.5	T 100A2	11,0
	105,1	27,7	259,1	2,9	P - 90 2 27.7	T 100A2	10,5
	104,7	27,5	254,4	3,4	P L 85 3 27.5	T 90LB2	11,0
	104,3	9,3	261,0	2,1	P - 90 2 9.3	T 132S6	10,5
	104,0	13,8	261,7	2,9	P - 80 2 13.75	T 100B4	7,5
	104,0	27,7	261,8	2,8	P - 90 2 27.7	T 90LB2	10,5
	103,2	9,3	263,7	2,1	P - 90 2 9.3	T 112B6	10,5
	103,2	9,4	263,7	2,8	P - 80 2 9.4	T 132S6	7,5
	102,5	28,4	265,4	2,0	P - 80 2 28.38	T 100A2	7,5
	102,1	14,0	266,5	3,4	P - 90 2 14	T 100B4	10,5
	102,1	14,0	266,5	1,7	P - 71 2 14	T 100B4	7,5
	102,1	9,4	266,5	2,8	P - 80 2 9.4	T 112B6	7,5
	101,5	28,4	268,2	2,0	P - 80 2 28.38	T 90LB2	7,5
	101,4	28,7	262,7	0,9	P L 45 3 28.7	T 100A2	6,5
	101,0	28,8	269,4	1,5	P - 71 2 28.8	T 100A2	7,5
	100,4	28,7	265,5	0,8	P L 45 3 28.7	T 90LB2	6,5
	100,0	9,7	272,2	3,2	P - 90 2 9.7	T 132S6	10,5
	100,0	28,8	272,2	1,5	P - 71 2 28.8	T 90LB2	7,5
	99,3	14,4	274,1	0,8	P - 63 2 14.4	T 100B4	5,6
	99,0	9,7	275,0	4,0	P - 112 2 9.7	T 112B6	16,5
	99,0	9,7	275,0	3,2	P - 90 2 9.7	T 112B6	10,5
	97,0	14,7	280,5	2,7	P - 80 2 14.74	T 100B4	7,5
	96,6	10,0	281,7	2,6	P - 80 2 10.04	T 132S6	7,5
	96,5	30,2	282,0	1,9	P - 80 2 30.15	T 100A2	7,5
	95,6	10,0	284,7	2,5	P - 80 2 10.04	T 112B6	7,5
	95,5	30,2	285,0	1,9	P - 80 2 30.15	T 90LB2	7,5
	95,4	30,5	285,3	2,6	P - 90 2 30.5	T 100A2	10,5
	94,4	30,5	288,2	2,6	P - 90 2 30.5	T 90LB2	10,5
	94,1	10,2	289,2	1,6	P - 71 2 10.2	T 112B6	7,5
	92,3	10,4	294,8	0,8	P - 63 2 10.4	T 112B6	5,6
	91,8	31,7	296,5	0,7	P - 63 2 31.7	T 100A2	5,6
	90,9	32,0	293,0	0,8	P L 45 3 32	T 100A2	6,5
	90,9	31,7	299,6	0,7	P - 63 2 31.7	T 90LB2	5,6
	90,1	32,3	295,7	1,8	P L 65 3 32.3	T 100A2	8,0
	90,0	32,0	296,1	0,8	P L 45 3 32	T 90LB2	6,5
	89,4	16,0	304,5	3,0	P - 90 2 16	T 100B4	10,5
	89,2	32,3	298,8	1,8	P L 65 3 32.3	T 90LB2	8,0
	89,0	10,9	305,9	3,0	P - 90 2 10.9	T 132S6	10,5
	88,8	16,1	306,5	1,5	P - 71 2 16.1	T 100B4	7,5
	88,1	10,9	309,0	3,0	P - 90 2 10.9	T 112B6	10,5
	87,9	33,1	309,5	1,2	P - 71 2 33.1	T 100A2	7,5
	87,4	11,1	311,4	3,5	P - 112 2 11.1	T 132S6	16,5

3







HIGH TECH *line* Motion

P ₁ Input Power kW	n ₂ Output speed min ⁻¹	IR ratio -	T ₂ Output torque Nm	FS' Service Factor -	 GEAR	 EU	P _{tn} Thermal capacity kW
	87.0	33.1	312.9	1.2	P - 71 2 33.1	T 90LB2	7.5
	86.5	11.1	314.7	3.5	P - 112 2 11.1	T 112B6	16.5
	84.6	16.9	321.6	0.8	P - 63 2 16.9	T 100B4	5.6
	84.4	34.5	315.9	3.1	P L 85 3 34.5	T 100A2	11.0
	83.8	17.1	324.9	2.6	P - 80 2 17.07	T 100B4	7.5
	83.6	34.8	325.4	1.7	P - 80 2 34.79	T 100A2	7.5
	83.6	17.1	325.5	2.8	P - 90 2 17.1	T 100B4	10.5
	83.5	34.5	319.2	3.1	P L 85 3 34.5	T 90LB2	11.0
	83.5	11.6	326.0	2.2	P - 80 2 11.62	T 132S6	7.5
	83.1	35.0	327.4	2.1	P - 90 2 35	T 100A2	10.5
	82.8	34.8	328.8	1.6	P - 80 2 34.79	T 90LB2	7.5
	82.8	11.6	328.8	1.5	P - 71 2 11.6	T 112B6	7.5
	82.7	17.3	329.3	1.4	P - 71 2 17.3	T 100B4	7.5
	82.6	11.6	329.4	2.2	P - 80 2 11.62	T 112B6	7.5
	82.3	35.0	330.8	2.1	P - 90 2 35	T 90LB2	10.5
	81.4	11.8	334.5	0.8	P - 63 2 11.8	T 112B6	5.6
	78.9	12.3	345.1	2.7	P - 90 2 12.3	T 132S6	10.5
	78.1	12.3	348.7	2.6	P - 90 2 12.3	T 112B6	10.5
	78.1	12.3	348.7	0.9	P - 71 2 12.3	T 112B6	7.5
	78.0	37.3	348.8	1.0	P - 71 2 37.3	T 100A2	7.5
	77.5	18.5	351.2	2.6	P - 80 2 18.45	T 100B4	7.5
	77.4	37.6	344.3	1.6	P L 65 3 37.6	T 100A2	8.0
	77.2	37.3	352.5	1.0	P - 71 2 37.3	T 90LB2	7.5
	76.7	38.0	355.0	1.5	P - 80 2 37.95	T 100A2	7.5
	76.6	37.6	347.9	1.6	P L 65 3 37.6	T 90LB2	8.0
	76.5	18.7	355.9	1.3	P - 71 2 18.7	T 100B4	7.5
	75.9	38.0	358.6	1.5	P - 80 2 37.95	T 90LB2	7.5
	75.2	38.7	354.4	3.0	P L 85 3 38.7	T 100A2	11.0
	75.2	38.7	354.4	2.0	P - 90 3 38.7	T 100A2	7.5
	74.4	38.7	358.0	3.0	P L 85 3 38.7	T 90LB2	11.0
	74.4	38.7	358.1	2.0	P - 90 3 38.7	T 90LB2	7.5
	73.4	39.6	370.7	1.2	P - 80 2 39.63	T 100A2	7.5
	73.4	19.5	371.0	1.6	P - 80 2 19.49	T 100B4	7.5
	72.9	39.5	365.4	1.1	P - 71 3 39.5	T 90LB2	5.4
	72.7	39.6	374.6	1.2	P - 80 2 39.63	T 90LB2	7.5
	72.2	19.8	376.9	2.4	P - 90 2 19.8	T 100B4	10.5
	72.0	40.4	377.8	1.5	P - 90 2 40.4	T 100A2	10.5
	71.5	40.7	380.7	3.8	P - 112 2 40.7	T 100A2	16.5
	71.3	40.4	381.8	1.5	P - 90 2 40.4	T 90LB2	10.5
	70.8	20.2	384.5	1.2	P - 71 2 20.2	T 100B4	7.5
	70.6	13.8	385.8	2.1	P - 80 2 13.75	T 132S6	7.5
	69.8	13.8	389.8	2.1	P - 80 2 13.75	T 112B6	7.5
	69.7	20.5	390.8	1.5	P - 80 2 20.53	T 100B4	7.5
	69.3	14.0	392.8	2.3	P - 90 2 14	T 132S6	10.5
	68.9	42.3	395.2	1.1	P - 80 2 42.25	T 100A2	7.5
	68.6	14.0	397.0	2.3	P - 90 2 14	T 112B6	10.5
	68.6	14.0	396.9	1.2	P - 71 2 14	T 112B6	7.5
	68.2	42.3	399.3	1.1	P - 80 2 42.25	T 90LB2	7.5
	66.8	21.4	407.3	2.2	P - 90 2 21.4	T 100B4	10.5
	66.6	21.5	408.4	1.5	P - 80 2 21.46	T 100B4	7.5
	66.6	43.7	400.1	2.7	P L 85 3 43.7	T 100A2	11.0
	66.6	43.7	400.1	1.9	P - 90 3 43.7	T 100A2	7.5
	66.0	44.1	412.4	1.7	P - 90 2 44.1	T 100A2	10.5
	65.9	43.7	404.3	2.7	P L 85 3 43.7	T 90LB2	11.0
	65.9	43.7	404.3	1.9	P - 90 3 43.7	T 90LB2	7.5
	65.8	14.7	413.6	2.0	P - 80 2 14.74	T 132S6	7.5
	65.3	44.1	416.7	1.7	P - 90 2 44.1	T 90LB2	10.5
	65.3	21.9	416.8	1.1	P - 71 2 21.9	T 100B4	7.5
	65.1	14.7	417.9	2.0	P - 80 2 14.74	T 112B6	7.5
	65.1	44.7	418.1	3.5	P - 112 2 44.7	T 100A2	16.5
	65.1	44.7	418.1	1.0	P - 71 2 44.7	T 100A2	7.5
	64.4	44.7	422.4	0.9	P - 71 2 44.7	T 90LB2	7.5
	63.3	46.0	421.2	1.3	P L 65 3 46	T 100A2	8.0
	62.6	46.0	425.5	1.3	P L 65 3 46	T 90LB2	8.0
	60.6	16.0	449.0	2.0	P - 90 2 16	T 132S6	10.5
	60.6	23.6	439.8	3.6	P L 95 3 23.6	T 100B4	16.0
	60.5	48.1	450.3	1.0	P - 80 2 48.14	T 100A2	7.5
	60.1	23.8	443.5	1.8	P L 85 3 23.8	T 100B4	11.0
	60.0	16.0	453.6	2.0	P - 90 2 16	T 112B6	10.5
	59.9	23.9	454.7	1.3	P - 80 2 23.89	T 100B4	7.5
	59.8	48.1	454.9	1.0	P - 80 2 48.14	T 90LB2	7.5
	59.6	48.8	446.9	1.7	P - 90 3 48.8	T 100A2	7.5
	59.6	16.1	456.4	1.1	P - 71 2 16.1	T 112B6	7.5
	59.5	16.3	457.4	3.9	P - 112 2 16.3	T 132S6	16.5
	59.5	48.9	457.3	3.2	P - 112 2 48.9	T 100A2	16.5
	59.0	48.8	451.4	1.7	P - 90 3 48.8	T 90LB2	7.5
	58.9	16.3	462.1	3.9	P - 112 2 16.3	T 112B6	16.5
	57.6	50.5	472.4	0.8	P - 71 2 50.5	T 100A2	7.5
	57.2	25.0	475.9	1.9	P - 90 2 25	T 100B4	10.5
	57.2	50.9	476.1	1.5	P - 90 2 50.9	T 100A2	10.5
	57.0	50.5	477.3	0.8	P - 71 2 50.5	T 90LB2	7.5
	56.8	51.2	468.8	2.9	P - 112 3 51.2	T 100A2	11.8
	56.8	17.1	479.0	1.9	P - 80 2 17.07	T 132S6	7.5
	56.7	17.1	479.7	1.9	P - 90 2 17.1	T 132S6	10.5
	56.6	50.9	481.0	1.5	P - 90 2 50.9	T 90LB2	10.5
	56.5	25.3	481.6	0.9	P - 71 2 25.3	T 100B4	7.5
	56.3	25.4	483.4	3.4	P - 112 2 25.4	T 100B4	16.5
	56.3	51.2	473.7	2.9	P - 112 3 51.2	T 90LB2	11.8
	56.2	17.1	484.0	1.9	P - 80 2 17.07	T 112B6	7.5
	56.1	17.1	484.8	1.9	P - 90 2 17.1	T 112B6	10.5
	55.5	17.3	490.5	1.0	P - 71 2 17.3	T 112B6	7.5
	54.8	53.1	496.7	4.0	P - 125 2 53.1	T 100A2	21.0
	54.8	17.7	496.7	3.6	P - 112 2 17.7	T 132S6	16.5
	54.4	26.3	500.6	1.2	P - 80 2 26.3	T 100B4	7.5
	54.2	17.7	501.8	3.6	P - 112 2 17.7	T 112B6	16.5

3



P ₁ Input Power kW	n ₂ Output speed min ⁻¹	IR ratio -	T2 Ouput torque Nm	FS' Service Factor -	 GEAR	 EU	P _{tn} Thermal capacity kW
	54,2	26,4	491,8	1,2	P L 65 3 26.4	T 100B4	8,0
	53,8	53,5	494,9	0,8	P - 71 3 53.5	T 90LB2	5,4
	53,6	54,3	497,2	1,1	P L 65 3 54.3	T 100A2	8,0
	53,2	54,7	500,8	3,8	P L 95 3 54.7	T 100A2	16,0
	53,0	54,3	502,3	1,1	P L 65 3 54.3	T 90LB2	8,0
	52,7	55,2	505,4	1,4	P - 90 3 55.2	T 100A2	7,5
	52,7	54,7	506,1	3,7	P L 95 3 54.7	T 90LB2	16,0
	52,6	18,5	517,7	1,9	P - 80 2 18.45	T 132S6	7,5
	52,2	27,4	510,5	3,5	P L 95 3 27.4	T 100B4	16,0
	52,2	55,2	510,8	1,4	P - 90 3 55.2	T 90LB2	7,5
	52,0	18,5	523,1	1,9	P - 80 2 18.45	T 112B6	7,5
	52,0	27,5	512,4	1,9	P L 85 3 27.5	T 100B4	11,0
	51,7	56,3	515,4	2,1	P L 85 3 56.3	T 100A2	11,0
	51,6	27,7	527,2	1,7	P - 90 2 27.7	T 100B4	10,5
	51,3	18,7	530,2	0,9	P - 71 2 18.7	T 112B6	7,5
	51,2	56,3	520,9	2,1	P L 85 3 56.3	T 90LB2	11,0
	50,6	57,5	537,8	3,7	P - 125 2 57.5	T 100A2	21,0
	50,4	28,4	540,2	1,1	P - 80 2 28.38	T 100B4	7,5
	49,8	19,5	546,9	1,2	P - 80 2 19.49	T 132S6	7,5
	49,7	58,5	535,6	2,6	P - 112 3 58.5	T 100A2	11,8
	49,7	28,8	548,3	0,8	P - 71 2 28.8	T 100B4	7,5
	49,3	19,5	552,6	1,2	P - 80 2 19.49	T 112B6	7,5
	49,2	58,5	541,2	2,6	P - 112 3 58.5	T 90LB2	11,8
	49,1	29,1	553,9	3,2	P - 112 2 29.1	T 100B4	16,5
	49,0	19,8	555,6	1,7	P - 90 2 19.8	T 132S6	10,5
	48,7	19,9	558,4	3,9	P - 125 2 19.9	T 132S6	21,0
	48,5	19,8	561,4	1,6	P - 90 2 19.8	T 112B6	10,5
	48,2	19,9	564,2	3,9	P - 125 2 19.9	T 112B6	21,0
	48,0	20,2	566,8	3,3	P - 112 2 20.2	T 132S6	16,5
	47,5	20,2	572,8	3,2	P - 112 2 20.2	T 112B6	16,5
	47,4	30,2	573,8	1,0	P - 80 2 30.15	T 100B4	7,5
	47,4	60,8	562,5	0,7	P - 71 3 60.8	T 90LB2	5,4
	47,4	30,2	574,8	3,8	P - 125 2 30.2	T 100B4	21,0
	47,3	20,5	576,0	1,1	P - 80 2 20.53	T 132S6	7,5
	46,9	30,5	580,5	1,6	P - 90 2 30.5	T 100B4	10,5
	46,8	20,5	582,1	1,1	P - 80 2 20.53	T 112B6	7,5
	46,7	62,3	570,5	1,3	P - 90 3 62.3	T 100A2	7,5
	46,4	62,7	574,1	2,5	P - 112 3 62.7	T 100A2	11,8
	46,2	62,3	576,3	1,3	P - 90 3 62.3	T 90LB2	7,5
	45,9	62,7	580,1	2,4	P - 112 3 62.7	T 90LB2	11,8
	45,5	63,9	585,0	1,8	P L 85 3 63.9	T 100A2	11,0
	45,3	21,4	600,4	1,5	P - 90 2 21.4	T 132S6	10,5
	45,2	21,5	602,2	1,1	P - 80 2 21.46	T 132S6	7,5
	45,2	64,4	589,5	0,9	P L 65 3 64.4	T 100A2	8,0
	45,1	63,9	591,1	1,8	P L 85 3 63.9	T 90LB2	11,0
	44,9	21,4	606,7	1,5	P - 90 2 21.4	T 112B6	10,5
	44,9	64,2	594,1	0,7	P - 71 3 64.2	T 90LB2	5,4
	44,7	21,5	608,5	1,1	P - 80 2 21.46	T 112B6	7,5
	44,7	64,4	595,8	0,9	P L 65 3 64.4	T 90LB2	8,0
	44,7	21,7	608,9	3,0	P - 112 2 21.7	T 132S6	16,5
	44,5	65,4	598,7	3,3	P L 95 3 65.4	T 100A2	16,0
	44,3	32,3	614,8	2,8	P - 112 2 32.3	T 100B4	16,5
	44,3	32,3	601,8	1,0	P L 65 3 32.3	T 100B4	8,0
	44,2	21,7	615,2	3,0	P - 112 2 21.7	T 112B6	16,5
	44,0	65,4	605,0	3,3	P L 95 3 65.4	T 90LB2	16,0
	43,8	21,9	621,0	0,8	P - 71 2 21.9	T 112B6	7,5
	43,5	32,9	613,0	3,4	P L 95 3 32.9	T 100B4	16,0
	43,2	67,4	617,1	2,3	P - 112 3 67.4	T 100A2	11,8
	42,7	67,4	623,6	2,3	P - 112 3 67.4	T 90LB2	11,8
	41,5	34,5	642,8	1,7	P L 85 3 34.5	T 100B4	11,0
	41,2	70,6	646,4	1,2	P - 90 3 70.6	T 100A2	7,5
	41,2	70,7	654,3	4,0	P L 105 3 70.7	T 100A2	22,0
	41,1	23,6	648,3	2,7	P L 95 3 23.6	T 132S6	16,0
	41,1	34,8	662,3	0,9	P - 80 2 34.79	T 100B4	7,5
	40,9	35,0	666,1	1,3	P - 90 2 35	T 100B4	10,5
	40,8	70,6	653,2	1,2	P - 90 3 70.6	T 90LB2	7,5
	40,8	23,8	653,7	1,3	P L 85 3 23.8	T 132S6	11,0
	40,7	70,7	661,0	3,9	P L 105 3 70.7	T 90LB2	22,0
	40,7	23,6	655,0	2,7	P L 95 3 23.6	T 112B6	16,0
	40,6	23,9	670,3	1,0	P - 80 2 23.89	T 132S6	7,5
	40,3	23,8	660,5	1,3	P L 85 3 23.8	T 112B6	11,0
	40,2	23,9	677,5	1,0	P - 80 2 23.89	T 112B6	7,5
	40,1	72,6	664,8	2,3	P - 112 3 72.6	T 100A2	11,8
	39,7	72,6	671,6	2,2	P - 112 3 72.6	T 90LB2	11,8
	39,3	74,0	677,7	1,6	P L 85 3 74	T 100A2	11,0
	39,2	74,2	679,4	3,1	P L 95 3 74.2	T 100A2	16,0
	39,1	74,4	681,2	0,8	P L 65 3 74.4	T 100A2	8,0
	38,9	74,0	684,6	1,6	P L 85 3 74	T 90LB2	11,0
	38,8	74,2	686,6	3,1	P L 95 3 74.2	T 90LB2	16,0
	38,8	25,0	701,4	1,3	P - 90 2 25	T 132S6	10,5
	38,7	74,4	688,2	0,8	P L 65 3 74.4	T 90LB2	8,0
	38,7	25,1	704,2	3,2	P - 125 2 25.1	T 132S6	21,0
	38,4	25,0	708,8	1,3	P - 90 2 25	T 112B6	10,5
	38,3	25,1	711,6	3,2	P - 125 2 25.1	T 112B6	21,0
	38,2	25,4	712,7	2,4	P - 112 2 25.4	T 132S6	16,5
	38,1	76,3	698,7	1,1	P - 90 3 76.3	T 100A2	7,5
	38,0	37,6	700,7	0,9	P L 65 3 37.6	T 100B4	8,0
	37,8	25,4	720,1	2,4	P - 112 2 25.4	T 112B6	16,5
	37,8	76,3	705,9	1,1	P - 90 3 76.3	T 90LB2	7,5
	37,7	38,0	722,3	0,8	P - 80 2 37.95	T 100B4	7,5
	37,4	38,2	727,2	3,2	P - 125 2 38.2	T 100B4	21,0
	37,1	38,5	725,1	3,9	P L 105 3 38.5	T 100B4	22,0
	37,1	78,5	718,7	2,1	P - 112 3 78.5	T 100A2	11,8
	37,0	38,7	721,2	1,7	P L 85 3 38.7	T 100B4	11,0

3







HIGH TECH *line* Motion

P ₁ Input Power kW	n ₂ Output speed min ⁻¹	IR ratio -	T ₂ Ouput torque Nm	FS' Service Factor -			P _{tn} Thermal capacity kW
	37,0	38,7	721,1	1,3	P - 90 3 38.7	T 100B4	7,5
	36,9	26,3	738,0	0,9	P - 80 2 26.3	T 132S6	7,5
	36,8	38,9	740,4	2,4	P - 112 2 38.9	T 100B4	16,5
	36,7	78,5	726,2	2,1	P - 112 3 78.5	T 90LB2	11,8
	36,5	26,3	745,8	0,9	P - 80 2 26.3	T 112B6	7,5
	36,5	79,8	738,4	3,7	P L 105 3 79.8	T 100A2	22,0
	36,4	26,4	732,8	0,9	P L 65 3 26.4	T 112B6	8,0
	36,1	79,8	746,2	3,6	P L 105 3 79.8	T 90LB2	22,0
	35,4	27,4	752,7	2,6	P L 95 3 27.4	T 132S6	16,0
	35,4	40,4	769,0	0,9	P - 90 2 40.4	T 100B4	10,5
	35,3	40,5	754,6	2,8	P L 95 3 40.5	T 100B4	16,0
	35,3	27,5	755,5	1,3	P L 85 3 27.5	T 132S6	11,0
	35,1	40,7	774,6	2,3	P - 112 2 40.7	T 100B4	16,5
	35,1	82,8	758,3	1,1	P - 90 3 82.8	T 100A2	7,5
	35,0	27,4	760,4	2,6	P L 95 3 27.4	T 112B6	16,0
	35,0	27,7	777,2	1,2	P - 90 2 27.7	T 132S6	10,5
	35,0	40,9	778,7	3,9	P - 132 2 40.91	T 100B4	30,0
	34,9	27,5	763,2	1,3	P L 85 3 27.5	T 112B6	11,0
	34,8	82,8	766,0	1,0	P - 90 3 82.8	T 90LB2	7,5
	34,7	27,7	785,2	1,2	P - 90 2 27.7	T 112B6	10,5
	34,3	84,9	777,4	1,4	P L 85 3 84.9	T 100A2	11,0
	34,2	28,4	796,4	0,8	P - 80 2 28.38	T 132S6	7,5
	33,9	28,6	794,0	3,6	P L 105 3 28.6	T 132S6	22,0
	33,9	84,9	785,5	1,4	P L 85 3 84.9	T 90LB2	11,0
	33,8	86,0	787,4	2,7	P L 95 3 86	T 100A2	16,0
	33,8	28,4	804,6	0,8	P - 80 2 28.38	T 112B6	7,5
	33,6	28,6	802,2	3,5	P L 105 3 28.6	T 112B6	22,0
	33,5	86,0	795,6	2,6	P L 95 3 86	T 90LB2	16,0
	33,3	29,1	816,7	2,3	P - 112 2 29.1	T 132S6	16,5
	33,3	87,3	799,4	1,9	P - 112 3 87.3	T 100A2	11,8
	33,3	87,4	808,8	3,5	P L 105 3 87.4	T 100A2	22,0
	33,0	29,1	825,0	2,2	P - 112 2 29.1	T 112B6	16,5
	33,0	87,3	807,6	1,9	P - 112 3 87.3	T 90LB2	11,8
	33,0	87,4	817,3	3,4	P L 105 3 87.4	T 90LB2	22,0
	32,7	43,7	814,3	1,5	P L 85 3 43.7	T 100B4	11,0
	32,7	43,7	814,4	1,1	P - 90 3 43.7	T 100B4	7,5
	32,4	44,1	839,3	1,0	P - 90 2 44.1	T 100B4	10,5
	32,3	44,3	843,1	2,6	P - 125 2 44.3	T 100B4	21,0
	32,2	30,2	845,9	0,8	P - 80 2 30.15	T 132S6	7,5
	32,1	90,6	838,4	3,4	P L 105 3 90.6	T 100A2	22,0
	32,1	30,2	847,4	2,8	P - 125 2 30.2	T 132S6	21,0
	32,0	44,7	850,8	2,1	P - 112 2 44.7	T 100B4	16,5
	31,9	44,9	845,6	3,3	P L 105 3 44.9	T 100B4	22,0
	31,8	30,2	854,8	0,8	P - 80 2 30.15	T 112B6	7,5
	31,8	30,5	855,8	1,1	P - 90 2 30.5	T 132S6	10,5
	31,8	90,6	847,1	3,4	P L 105 3 90.6	T 90LB2	22,0
	31,8	30,2	856,2	2,8	P - 125 2 30.2	T 112B6	21,0
	31,5	30,5	864,7	1,1	P - 90 2 30.5	T 112B6	10,5
	31,2	93,3	854,4	0,9	P - 90 3 93.3	T 100A2	7,5
	31,1	93,6	857,0	1,8	P - 112 3 93.6	T 100A2	11,8
	31,1	46,0	857,1	0,7	P L 65 3 46	T 100B4	8,0
	31,0	31,3	869,0	3,5	P L 105 3 31.3	T 132S6	22,0
	30,9	93,3	863,0	0,9	P - 90 3 93.3	T 90LB2	7,5
	30,8	93,6	865,9	1,7	P - 112 3 93.6	T 90LB2	11,8
	30,7	31,3	878,1	3,5	P L 105 3 31.3	T 112B6	22,0
	30,5	46,9	873,9	2,4	P L 95 3 46.9	T 100B4	16,0
	30,2	32,1	901,5	3,9	P - 132 2 32.13	T 132S6	30,0
	30,0	32,3	906,3	2,0	P - 112 2 32.3	T 132S6	16,5
	29,9	32,1	910,9	3,8	P - 132 2 32.13	T 112B6	30,0
	29,7	32,3	915,8	2,0	P - 112 2 32.3	T 112B6	16,5
	29,7	32,3	896,6	0,7	P L 65 3 32.3	T 112B6	8,0
	29,7	98,0	897,5	1,2	P L 85 3 98	T 100A2	11,0
	29,6	98,4	901,0	2,3	P L 95 3 98.4	T 100A2	16,0
	29,5	32,9	903,8	2,5	P L 95 3 32.9	T 132S6	16,0
	29,4	98,0	906,5	1,2	P L 85 3 98	T 90LB2	11,0
	29,3	48,8	909,4	1,0	P - 90 3 48.8	T 100B4	7,5
	29,3	98,4	910,3	2,3	P L 95 3 98.4	T 90LB2	16,0
	29,2	48,9	930,9	1,9	P - 112 2 48.9	T 100B4	16,5
	29,2	32,9	913,1	2,5	P L 95 3 32.9	T 112B6	16,0
	29,0	100,4	929,3	3,2	P L 105 3 100.4	T 100A2	22,0
	28,9	100,6	921,0	0,9	P - 90 3 100.6	T 100A2	7,5
	28,9	33,6	941,5	3,2	P - 132 2 33.55	T 132S6	30,0
	28,7	100,4	938,7	3,2	P L 105 3 100.4	T 90LB2	22,0
	28,6	100,6	930,6	0,9	P - 90 3 100.6	T 90LB2	7,5
	28,6	33,6	951,3	3,2	P - 132 2 33.55	T 112B6	30,0
	28,2	50,7	954,7	2,9	P L 105 3 50.7	T 100B4	22,0
	28,1	34,5	947,5	1,2	P L 85 3 34.5	T 132S6	11,0
	28,1	50,9	968,8	0,9	P - 90 2 50.9	T 100B4	10,5
	27,9	51,2	954,0	1,8	P - 112 3 51.2	T 100B4	11,8
	27,8	34,5	957,3	1,2	P L 85 3 34.5	T 112B6	11,0
	27,7	35,0	982,3	0,9	P - 90 2 35	T 132S6	10,5
	27,6	35,2	977,1	3,1	P L 105 3 35.2	T 132S6	22,0
	27,4	35,0	992,2	0,9	P - 90 2 35	T 112B6	10,5
	27,3	35,2	987,6	3,1	P L 105 3 35.2	T 112B6	22,0
	26,9	53,1	1010,7	2,2	P - 125 2 53.1	T 100B4	21,0
	26,9	108,4	992,3	1,5	P - 112 3 108.4	T 100A2	11,8
	26,7	108,9	997,1	0,9	P - 90 3 108.9	T 100A2	7,5
	26,6	108,4	1002,9	1,5	P - 112 3 108.4	T 90LB2	11,8
	26,5	108,9	1007,4	0,9	P - 90 3 108.9	T 90LB2	7,5
	26,3	110,5	1022,8	2,9	P L 105 3 110.5	T 100A2	22,0
	26,3	36,9	1036,1	3,2	P - 132 2 36.92	T 132S6	30,0
	26,1	54,7	1019,3	2,1	P L 95 3 54.7	T 100B4	16,0
	26,1	110,5	1033,4	2,9	P L 105 3 110.5	T 90LB2	22,0
	26,0	36,9	1046,8	3,1	P - 132 2 36.92	T 112B6	30,0
	26,0	55,0	1035,8	2,8	P L 105 3 55	T 100B4	22,0

3





P ₁ Input Power kW	n ₂ Output speed min ⁻¹	IR ratio -	T2 Ouput torque Nm	FS' Service Factor -	 GEAR	 EU	P _{tn} Thermal capacity kW
	25.9	55.2	1028.2	0.9	P - 90 3 55.2	T 100B4	7.5
	25.6	113.5	1039.1	1.0	P L 85 3 113.5	T 100A2	11.0
	25.4	56.3	1049.0	1.1	P L 85 3 56.3	T 100B4	11.0
	25.4	38.2	1071.9	2.3	P - 125 2 38.2	T 132S6	21.0
	25.4	113.5	1050.2	1.0	P L 85 3 113.5	T 90LB2	11.0
	25.2	38.5	1069.1	2.9	P L 105 3 38.5	T 132S6	22.0
	25.1	38.2	1083.1	2.3	P - 125 2 38.2	T 112B6	21.0
	25.1	116.0	1062.0	2.0	P L 95 3 116	T 100A2	16.0
	25.1	38.7	1063.2	1.2	P L 85 3 38.7	T 132S6	11.0
	24.9	38.5	1079.8	2.8	P L 105 3 38.5	T 112B6	22.0
	24.9	38.9	1091.2	1.7	P - 112 2 38.9	T 132S6	16.5
	24.9	57.5	1094.3	2.0	P - 125 2 57.5	T 100B4	21.0
	24.8	116.0	1073.1	2.0	P L 95 3 116	T 90LB2	16.0
	24.8	117.2	1073.0	1.4	P - 112 3 117.2	T 100A2	11.8
	24.8	38.7	1074.1	1.2	P L 85 3 38.7	T 112B6	11.0
	24.8	38.7	1073.9	0.9	P - 90 3 38.7	T 112B6	7.5
	24.7	38.9	1102.7	1.7	P - 112 2 38.9	T 112B6	16.5
	24.6	117.2	1084.3	1.4	P - 112 3 117.2	T 90LB2	11.8
	24.4	58.5	1090.1	1.6	P - 112 3 58.5	T 100B4	11.8
	24.0	40.5	1112.5	2.1	P L 95 3 40.5	T 132S6	16.0
	23.8	40.7	1142.1	1.6	P - 112 2 40.7	T 132S6	16.5
	23.7	40.9	1147.9	2.8	P - 132 2 40.91	T 132S6	30.0
	23.7	40.5	1124.2	2.0	P L 95 3 40.5	T 112B6	16.0
	23.6	40.7	1153.8	1.6	P - 112 2 40.7	T 112B6	16.5
	23.5	40.9	1159.6	2.8	P - 132 2 40.91	T 112B6	30.0
	23.3	125.0	1144.7	0.8	P - 90 3 125	T 100A2	7.5
	23.1	126.1	1166.9	2.6	P L 105 3 126.1	T 100A2	22.0
	23.0	125.0	1156.3	0.8	P - 90 3 125	T 90LB2	7.5
	23.0	62.3	1161.2	0.8	P - 90 3 62.3	T 100B4	7.5
	22.8	126.1	1179.2	2.6	P L 105 3 126.1	T 90LB2	22.0
	22.8	62.7	1180.6	2.5	P L 105 3 62.7	T 100B4	22.0
	22.8	62.7	1168.2	1.5	P - 112 3 62.7	T 100B4	11.8
	22.7	128.3	1174.9	1.3	P - 112 3 128.3	T 100A2	11.8
	22.7	42.8	1201.1	3.9	P - 150 2 42.8	T 132S6	38.0
	22.5	128.3	1186.7	1.3	P - 112 3 128.3	T 90LB2	11.8
	22.4	42.8	1213.4	3.9	P - 150 2 42.8	T 112B6	38.0
	22.4	63.9	1190.5	1.0	P L 85 3 63.9	T 100B4	11.0
	22.3	64.1	1207.1	4.0	P L 115 3 64.1	T 100B4	26.0
	22.2	43.7	1200.4	1.1	P L 85 3 43.7	T 132S6	11.0
	22.0	44.1	1237.0	0.8	P - 90 2 44.1	T 132S6	10.5
	22.0	43.7	1212.7	1.1	P L 85 3 43.7	T 112B6	11.0
	22.0	43.7	1212.6	0.8	P - 90 3 43.7	T 112B6	7.5
	21.9	44.3	1242.7	1.9	P - 125 2 44.3	T 132S6	21.0
	21.9	65.4	1218.4	1.8	P L 95 3 65.4	T 100B4	16.0
	21.8	44.1	1250.0	0.8	P - 90 2 44.1	T 112B6	10.5
	21.7	44.7	1254.4	1.4	P - 112 2 44.7	T 132S6	16.5
	21.7	44.3	1256.0	1.9	P - 125 2 44.3	T 112B6	21.0
	21.7	134.4	1230.7	1.7	P L 95 3 134.4	T 100A2	16.0
	21.6	44.9	1246.9	2.4	P L 105 3 44.9	T 132S6	22.0
	21.5	44.7	1267.0	1.4	P - 112 2 44.7	T 112B6	16.5
	21.4	135.8	1256.7	3.6	P L 115 3 135.8	T 100A2	26.0
	21.4	134.4	1243.3	1.7	P L 95 3 134.4	T 90LB2	16.0
	21.4	44.9	1259.6	2.4	P L 105 3 44.9	T 112B6	22.0
	21.3	136.8	1252.9	0.9	P L 85 3 136.8	T 100A2	11.0
	21.2	67.4	1255.7	1.4	P - 112 3 67.4	T 100B4	11.8
	21.1	136.8	1265.6	0.9	P L 85 3 136.8	T 90LB2	11.0
	20.8	139.9	1294.8	2.4	P L 105 3 139.9	T 100A2	22.0
	20.7	46.9	1288.5	1.8	P L 95 3 46.9	T 132S6	16.0
	20.6	141.0	1290.8	0.7	P - 90 3 141	T 100A2	7.5
	20.6	139.9	1307.9	2.3	P L 105 3 139.9	T 90LB2	22.0
	20.5	47.3	1327.0	3.4	P - 150 2 47.3	T 132S6	38.0
	20.5	46.9	1301.7	1.8	P L 95 3 46.9	T 112B6	16.0
	20.3	47.3	1340.8	3.3	P - 150 2 47.3	T 112B6	38.0
	20.2	70.7	1331.3	2.2	P L 105 3 70.7	T 100B4	22.0
	19.8	48.9	1371.7	1.3	P - 112 2 48.9	T 132S6	16.5
	19.7	72.6	1352.4	1.3	P - 112 3 72.6	T 100B4	11.8
	19.7	148.0	1355.4	1.1	P - 112 3 148	T 100A2	11.8
	19.6	148.2	1371.3	3.3	P L 115 3 148.2	T 100A2	26.0
	19.6	48.9	1386.5	1.3	P - 112 2 48.9	T 112B6	16.5
	19.5	49.7	1379.6	3.8	P L 115 3 49.7	T 132S6	26.0
	19.5	148.0	1369.0	1.1	P - 112 3 148	T 90LB2	11.8
	19.4	73.8	1389.7	3.6	P L 115 3 73.8	T 100B4	26.0
	19.3	49.7	1394.0	3.8	P L 115 3 49.7	T 112B6	26.0
	19.3	74.0	1379.3	0.9	P L 85 3 74	T 100B4	11.0
	19.3	74.2	1382.8	1.7	P L 95 3 74.2	T 100B4	16.0
	19.2	151.5	1342.3	2.4	P E 125 151,48	T 100A2	10.5
	19.1	50.7	1407.9	2.2	P L 105 3 50.7	T 132S6	22.0
	19.0	151.5	1356.3	2.4	P E 125 151,48	T 90LB2	10.5
	18.9	50.7	1422.8	2.1	P L 105 3 50.7	T 112B6	22.0
	18.9	153.9	1424.1	2.2	P L 105 3 153.9	T 100A2	22.0
	18.8	51.2	1420.9	1.3	P - 112 3 51.2	T 112B6	11.8
	18.7	153.9	1439.5	2.2	P L 105 3 153.9	T 90LB2	22.0
	18.4	158.6	1405.2	2.5	P E 132 158,56	T 100A2	12.0
	18.3	158.9	1455.3	1.4	P L 95 3 158.9	T 100A2	16.0
	18.3	53.1	1489.8	1.6	P - 125 2 53.1	T 132S6	21.0
	18.2	78.5	1462.4	1.2	P - 112 3 78.5	T 100B4	11.8
	18.2	160.0	1464.7	0.7	P L 85 3 160	T 100A2	11.0
	18.2	158.6	1419.9	2.5	P E 132 158,56	T 90LB2	12.0
	18.1	158.9	1470.6	1.4	P L 95 3 158.9	T 90LB2	16.0
	18.1	53.1	1505.4	1.6	P - 125 2 53.1	T 112B6	21.0
	18.0	160.0	1480.1	0.7	P L 85 3 160	T 90LB2	11.0
	17.9	79.8	1502.8	2.0	P L 105 3 79.8	T 100B4	22.0
	17.9	54.3	1507.9	3.6	P L 115 3 54.3	T 132S6	26.0
	17.8	163.1	1509.6	3.0	P L 115 3 163.1	T 100A2	26.0
	17.7	54.7	1502.6	1.5	P L 95 3 54.7	T 132S6	16.0

3







HIGH TECH *line* Motion



P ₁ Input Power kW	n ₂ Output speed min ⁻¹	IR ratio -	T ₂ Output torque Nm	FS' Service Factor -			P _{tn} Thermal capacity kW
	17.7	54.3	1523.2	3.6	P L 115 3 54.3	T 112B6	26.0
	17.6	55.0	1526.6	2.1	P L 105 3 55	T 132S6	22.0
	17.6	81.3	1531.1	3.3	P L 115 3 81.3	T 100B4	26.0
	17.6	54.7	1518.3	1.5	P L 95 3 54.7	T 112B6	16.0
	17.5	55.0	1543.2	2.0	P L 105 3 55	T 112B6	22.0
	17.4	167.0	1528.5	1.0	P - 112 3 167	T 100A2	11.8
	17.3	167.0	1544.8	1.0	P - 112 3 167	T 90LB2	11.8
	17.2	56.3	1546.4	0.8	P L 85 3 56.3	T 132S6	11.0
	17.2	169.2	1565.9	2.0	P L 105 3 169.2	T 100A2	22.0
	17.1	56.3	1562.5	0.8	P L 85 3 56.3	T 112B6	11.0
	17.0	169.2	1582.4	2.0	P L 105 3 169.2	T 90LB2	22.0
	16.9	57.5	1613.2	1.5	P - 125 2 57.5	T 132S6	21.0
	16.8	84.9	1582.4	0.8	P L 85 3 84.9	T 100B4	11.0
	16.8	173.5	1537.6	2.3	P E 132 173.51	T 100A2	12.0
	16.7	57.5	1629.7	1.5	P - 125 2 57.5	T 112B6	21.0
	16.6	86.0	1602.1	1.5	P L 95 3 86	T 100B4	16.0
	16.6	173.5	1553.3	2.3	P E 132 173.51	T 90LB2	12.0
	16.4	58.5	1623.5	1.1	P - 112 3 58.5	T 112B6	11.8
	16.4	87.2	1642.1	3.0	P L 115 3 87.2	T 100B4	26.0
	16.4	87.3	1626.9	1.1	P - 112 3 87.3	T 100B4	11.8
	16.4	87.4	1646.0	1.9	P L 105 3 87.4	T 100B4	22.0
	16.3	59.7	1657.2	3.3	P L 115 3 59.7	T 132S6	26.0
	16.1	59.7	1674.7	3.3	P L 115 3 59.7	T 112B6	26.0
	15.8	90.6	1706.7	1.9	P L 105 3 90.6	T 100B4	22.0
	15.7	185.2	1714.1	1.8	P L 105 3 185.2	T 100A2	22.0
	15.7	185.6	1644.4	1.9	P E 125 185.62	T 100A2	10.5
	15.6	185.2	1732.0	1.8	P L 105 3 185.2	T 90LB2	22.0
	15.6	187.1	1713.4	1.2	P L 95 3 187.1	T 100A2	16.0
	15.5	185.6	1661.5	1.9	P E 125 185.62	T 90LB2	10.5
	15.5	62.7	1740.9	1.8	P L 105 3 62.7	T 132S6	22.0
	15.4	189.1	1749.9	3.9	P L 125 3 189.1	T 100A2	33.0
	15.4	187.1	1731.2	1.2	P L 95 3 187.1	T 90LB2	16.0
	15.3	62.7	1759.0	1.8	P L 105 3 62.7	T 112B6	22.0
	15.3	62.7	1740.5	1.1	P - 112 3 62.7	T 112B6	11.8
	15.3	190.3	1761.3	2.6	P L 115 3 190.3	T 100A2	26.0
	15.3	93.6	1743.6	1.0	P - 112 3 93.6	T 100B4	11.8
	15.2	191.0	1691.9	2.1	P E 132 190.95	T 100A2	12.0
	15.2	191.5	1753.0	0.9	P - 112 3 191.5	T 100A2	11.8
	15.2	63.9	1755.2	0.7	P L 85 3 63.9	T 132S6	11.0
	15.1	64.1	1779.9	2.9	P L 115 3 64.1	T 132S6	26.0
	15.1	191.0	1709.8	2.0	P E 132 190.95	T 90LB2	12.0
	15.0	191.5	1771.7	0.8	P - 112 3 191.5	T 90LB2	11.8
	15.0	63.9	1773.5	0.7	P L 85 3 63.9	T 112B6	11.0
	15.0	64.1	1797.9	2.9	P L 115 3 64.1	T 112B6	26.0
	14.8	65.4	1796.6	1.3	P L 95 3 65.4	T 132S6	16.0
	14.7	65.4	1815.2	1.3	P L 95 3 65.4	T 112B6	16.0
	14.6	199.5	1826.1	1.2	P L 95 3 199.5	T 100A2	16.0
	14.5	98.4	1833.9	1.3	P L 95 3 98.4	T 100B4	16.0
	14.4	199.5	1845.3	1.1	P L 95 3 199.5	T 90LB2	16.0
	14.2	100.4	1891.1	1.7	P L 105 3 100.4	T 100B4	22.0
	14.2	67.4	1871.2	1.0	P - 112 3 67.4	T 112B6	11.8
	13.8	210.3	1945.8	2.3	P L 115 3 210.3	T 100A2	26.0
	13.8	103.9	1957.1	2.5	P L 115 3 103.9	T 100B4	26.0
	13.7	70.7	1962.7	1.6	P L 105 3 70.7	T 132S6	22.0
	13.7	212.6	1883.4	1.9	P E 132 212.62	T 100A2	12.0
	13.6	70.7	1983.3	1.6	P L 105 3 70.7	T 112B6	22.0
	13.6	212.6	1902.9	1.8	P E 132 212.62	T 90LB2	12.0
	13.5	106.2	1999.3	3.8	P L 125 3 106.2	T 100B4	33.0
	13.4	216.6	1919.9	2.8	P E 150 216.61	T 100A2	16.0
	13.3	216.6	1938.7	2.8	P E 150 216.61	T 90LB2	16.0
	13.2	72.6	2015.2	0.9	P - 112 3 72.6	T 112B6	11.8
	13.2	108.4	2020.0	0.9	P - 112 3 108.4	T 100B4	11.8
	13.2	220.9	2023.4	0.7	P - 112 3 220.9	T 100A2	11.8
	13.2	221.3	2026.4	1.0	P L 95 3 221.3	T 100A2	16.0
	13.1	73.8	2049.4	2.7	P L 115 3 73.8	T 132S6	26.0
	13.1	74.2	2038.5	1.2	P L 95 3 74.2	T 132S6	16.0
	13.0	220.9	2043.6	0.7	P - 112 3 220.9	T 90LB2	11.8
	13.0	73.8	2070.0	2.6	P L 115 3 73.8	T 112B6	26.0
	13.0	221.3	2048.1	1.0	P L 95 3 221.3	T 90LB2	16.0
	12.9	110.5	2081.1	1.6	P L 105 3 110.5	T 100B4	22.0
	12.9	74.2	2058.9	1.2	P L 95 3 74.2	T 112B6	16.0
	12.8	75.7	2102.4	3.9	P L 125 3 75.7	T 132S6	33.0
	12.8	227.3	2014.3	1.6	P E 125 227.28	T 100A2	10.5
	12.7	229.4	2122.3	2.1	P L 115 3 229.4	T 100A2	26.0
	12.7	75.7	2123.9	3.8	P L 125 3 75.7	T 112B6	33.0
	12.7	227.3	2035.2	1.6	P E 125 227.28	T 90LB2	10.5
	12.5	114.3	2152.7	2.3	P L 115 3 114.3	T 100B4	26.0
	12.4	234.0	2072.6	1.7	P E 132 234	T 100A2	12.0
	12.3	116.0	2160.9	1.1	P L 95 3 116	T 100B4	16.0
	12.3	234.0	2094.6	1.7	P E 132 234	T 90LB2	12.0
	12.3	116.3	2189.6	3.4	P L 125 3 116.3	T 100B4	33.0
	12.2	78.5	2178.8	0.9	P - 112 3 78.5	T 112B6	11.8
	12.2	117.2	2183.9	0.8	P - 112 3 117.2	T 100B4	11.8
	12.2	79.8	2214.9	1.5	P L 105 3 79.8	T 132S6	22.0
	12.0	79.8	2238.7	1.5	P L 105 3 79.8	T 112B6	22.0
	12.0	81.0	2248.0	3.6	P L 125 3 81	T 132S6	33.0
	12.0	243.2	2226.1	0.9	P L 95 3 243.2	T 100A2	16.0
	11.9	81.3	2257.4	2.4	P L 115 3 81.3	T 132S6	26.0
	11.9	81.0	2272.6	3.6	P L 125 3 81	T 112B6	33.0
	11.8	243.2	2250.0	0.9	P L 95 3 243.2	T 90LB2	16.0
	11.8	81.3	2280.4	2.4	P L 115 3 81.3	T 112B6	26.0
	11.8	121.2	2282.4	2.2	P L 115 3 121.2	T 100B4	26.0
	11.8	246.9	2188.8	3.7	P E 170 246.94	T 100A2	21.0
	11.7	246.9	2211.5	3.7	P E 170 246.94	T 90LB2	21.0
	11.6	251.2	2224.8	1.4	P E 125 251,17	T 100A2	10.5

3



P ₁ Input Power kW	n ₂ Output speed min ⁻¹	IR ratio -	T2 Ouput torque Nm	FS' Service Factor -	 GEAR	 EU	P _{tn} Thermal capacity kW
3	11,5	251,2	2248,2	1,4	P E 125 251,17	T 90LB2	10,5
	11,3	126,1	2374,9	1,4	P L 105 3 126,1	T 100B4	22,0
	11,3	86,0	2362,2	1,0	P L 95 3 86	T 132S6	16,0
	11,2	127,9	2408,7	3,1	P L 125 3 127,9	T 100B4	33,0
	11,2	260,3	2306,2	1,5	P E 132 260,34	T 100A2	12,0
	11,2	86,0	2387,3	1,0	P L 95 3 86	T 112B6	16,0
	11,2	128,3	2389,6	0,7	P - 112 3 128,3	T 100B4	11,8
	11,1	87,2	2421,8	2,2	P L 115 3 87,2	T 132S6	26,0
	11,1	87,4	2426,4	1,4	P L 105 3 87,4	T 132S6	22,0
	11,1	260,3	2331,3	1,5	P E 132 260,34	T 90LB2	12,0
	11,0	87,2	2446,2	2,2	P L 115 3 87,2	T 112B6	26,0
	11,0	87,3	2421,9	0,8	P - 112 3 87,3	T 112B6	11,8
	11,0	88,3	2450,6	3,3	P L 125 3 88,3	T 132S6	33,0
	11,0	87,4	2452,9	1,4	P L 105 3 87,4	T 112B6	22,0
	11,0	265,4	2352,6	2,3	P E 150 265,44	T 100A2	16,0
	10,9	266,2	2438,1	0,9	P L 95 3 266,2	T 100A2	16,0
	10,9	88,3	2477,6	3,3	P L 125 3 88,3	T 112B6	33,0
	10,9	267,7	2477,5	1,8	P L 115 3 267,7	T 100A2	26,0
	10,9	265,4	2376,4	2,3	P E 150 265,44	T 90LB2	16,0
	10,8	268,8	2381,0	3,4	P E 170 268,78	T 100A2	21,0
	10,8	266,2	2462,9	0,9	P L 95 3 266,2	T 90LB2	16,0
	10,7	268,8	2405,2	3,4	P E 170 268,78	T 90LB2	21,0
	10,7	90,6	2514,3	1,4	P L 105 3 90,6	T 132S6	22,0
	10,6	273,5	2423,3	1,2	P E 125 273,48	T 100A2	10,5
	10,6	134,4	2504,3	1,0	P L 95 3 134,4	T 100B4	16,0
	10,6	90,6	2540,6	1,4	P L 105 3 90,6	T 112B6	22,0
	10,5	135,8	2557,5	2,0	P L 115 3 135,8	T 100B4	26,0
	10,5	273,5	2449,0	1,2	P E 125 273,48	T 90LB2	10,5
	10,4	280,9	2488,9	2,2	P E 150 280,94	T 100A2	16,0
	10,3	93,6	2596,6	0,7	P - 112 3 93,6	T 112B6	11,8
	10,3	280,9	2515,5	2,1	P E 150 280,94	T 90LB2	16,0
	10,2	139,9	2635,0	1,3	P L 105 3 139,9	T 100B4	22,0
	10,2	286,5	2538,1	1,4	P E 132 286,51	T 100A2	12,0
	10,1	141,7	2669,0	2,8	P L 125 3 141,7	T 100B4	33,0
	10,1	286,5	2566,0	1,4	P E 132 286,51	T 90LB2	12,0
	10,0	290,0	2685,0	1,7	P L 115 3 290	T 100A2	26,0
	9,9	97,6	2709,4	3,0	P L 125 3 97,6	T 132S6	33,0
	9,9	98,4	2702,7	0,9	P L 95 3 98,4	T 132S6	16,0
	9,8	97,6	2736,9	3,0	P L 125 3 97,6	T 112B6	33,0
	9,8	98,4	2730,4	0,9	P L 95 3 98,4	T 112B6	16,0
	9,7	100,4	2788,2	1,3	P L 105 3 100,4	T 132S6	22,0
	9,7	148,2	2790,7	1,8	P L 115 3 148,2	T 100B4	26,0
	9,6	302,0	2674,7	3,0	P E 170 301,96	T 100A2	21,0
	9,6	100,4	2817,3	1,3	P L 105 3 100,4	T 112B6	22,0
	9,5	302,0	2702,7	3,0	P E 170 301,96	T 90LB2	21,0
	9,5	307,7	2725,7	1,2	P E 125 307,71	T 100A2	10,5
	9,4	151,5	2731,5	1,3	P E 125 151,48	T 100B4	10,5
	9,4	310,5	2751,8	2,0	P E 150 310,47	T 100A2	16,0
	9,4	307,7	2754,7	1,2	P E 125 307,71	T 90LB2	10,5
	9,3	103,9	2883,3	1,9	P L 115 3 103,9	T 132S6	26,0
9,3	153,9	2899,2	1,2	P L 105 3 153,9	T 100B4	22,0	
9,3	310,5	2778,7	1,9	P E 150 310,47	T 90LB2	16,0	
9,2	103,9	2914,8	1,8	P L 115 3 103,9	T 112B6	26,0	
9,2	155,1	2920,9	2,6	P L 125 3 155,1	T 100B4	33,0	
9,2	316,6	2806,0	1,2	P E 132 316,62	T 100A2	12,0	
9,1	106,2	2949,8	2,8	P L 125 3 106,2	T 132S6	33,0	
9,1	316,6	2833,2	1,2	P E 132 316,62	T 90LB2	12,0	
9,0	106,2	2979,2	2,7	P L 125 3 106,2	T 112B6	33,0	
9,0	158,6	2858,5	1,4	P E 132 158,56	T 100B4	12,0	
9,0	158,9	2960,5	0,8	P L 95 3 158,9	T 100B4	16,0	
9,0	325,0	2881,0	1,9	P E 150 325	T 100A2	16,0	
8,9	325,0	2910,5	1,9	P E 150 325	T 90LB2	16,0	
8,8	329,4	2920,3	3,9	P E 190 329,43	T 100A2	27,0	
8,8	110,1	3057,0	3,7	P L 135 3 110,1	T 132S6	40,0	
8,8	330,6	2930,2	2,8	P E 170 330,6	T 100A2	21,0	
8,8	110,5	3067,4	1,2	P L 105 3 110,5	T 132S6	22,0	
8,8	163,1	3070,6	1,6	P L 115 3 163,1	T 100B4	26,0	
8,7	329,4	2950,2	3,9	P E 190 329,43	T 90LB2	27,0	
8,7	330,6	2960,5	2,7	P E 170 330,6	T 90LB2	21,0	
8,7	110,5	3099,2	1,2	P L 105 3 110,5	T 112B6	22,0	
8,5	114,3	3171,9	1,7	P L 115 3 114,3	T 132S6	26,0	
8,5	169,2	3186,6	1,1	P L 105 3 169,2	T 100B4	22,0	
8,4	114,3	3206,1	1,7	P L 115 3 114,3	T 112B6	26,0	
8,4	347,4	3077,1	3,7	P E 190 347,35	T 100A2	27,0	
8,4	170,7	3213,8	2,3	P L 125 3 170,7	T 100B4	33,0	
8,4	116,0	3187,3	0,8	P L 95 3 116	T 132S6	16,0	
8,3	116,3	3229,3	2,5	P L 125 3 116,3	T 132S6	33,0	
8,3	350,3	3103,0	0,8	P E 125 350,27	T 100A2	10,5	
8,3	347,4	3110,3	3,7	P E 190 347,35	T 90LB2	27,0	
8,3	116,0	3218,6	0,7	P L 95 3 116	T 112B6	16,0	
8,3	352,5	3121,3	1,1	P E 132 352,46	T 100A2	12,0	
8,3	116,3	3264,2	2,5	P L 125 3 116,3	T 112B6	33,0	
8,2	173,5	3129,1	1,3	P E 132 173,51	T 100B4	12,0	
8,2	350,3	3136,8	0,8	P E 125 350,27	T 90LB2	10,5	
8,2	352,5	3156,0	1,1	P E 132 352,46	T 90LB2	12,0	
8,2	357,1	3163,7	3,6	P E 190 357,1	T 100A2	27,0	
8,2	357,1	3163,7	2,6	P E 170 357,1	T 100A2	21,0	
8,1	359,2	3183,3	1,7	P E 150 359,17	T 100A2	16,0	
8,1	357,1	3199,2	3,6	P E 190 357,1	T 90LB2	27,0	
8,1	357,1	3199,1	2,5	P E 170 357,1	T 90LB2	21,0	
8,0	359,2	3214,9	1,7	P E 150 359,17	T 90LB2	16,0	
8,0	121,2	3366,0	1,6	P L 115 3 121,2	T 132S6	26,0	
8,0	121,8	3383,2	3,4	P L 135 3 121,8	T 132S6	40,0	
7,9	121,2	3400,4	1,6	P L 115 3 121,2	T 112B6	26,0	
7,9	182,2	3284,6	3,8	P E 190 182,17	T 100B4	27,0	



HIGH TECH *line* Motion



P ₁ Input Power kW	n ₂ Output speed min ⁻¹	IR ratio -	T ₂ Output torque Nm	FS' Service Factor -			P _{tn} Thermal capacity kW
3	7.7	185.2	3488.4	1.0	P L 105 3 185.2	T 100B4	22.0
	7.7	377.5	3344.3	2.4	P E 170 377.45	T 100A2	21.0
	7.7	185.6	3348.2	1.0	P E 125 185.62	T 100B4	10.5
	7.7	126.1	3502.4	1.1	P L 105 3 126.1	T 132S6	22.0
	7.6	380.8	3375.0	1.6	P E 150 380.82	T 100A2	16.0
	7.6	377.5	3379.2	2.4	P E 170 377.45	T 90LB2	21.0
	7.6	126.1	3539.2	1.0	P L 105 3 126.1	T 112B6	22.0
	7.6	127.9	3552.9	2.3	P L 125 3 127.9	T 132S6	33.0
	7.6	383.9	3401.8	0.9	P E 125 383.88	T 100A2	10.5
	7.6	189.1	3562.4	2.1	P L 125 3 189.1	T 100B4	33.0
	7.6	380.8	3410.5	1.6	P E 150 380.82	T 90LB2	16.0
	7.5	127.9	3586.2	2.3	P L 125 3 127.9	T 112B6	33.0
	7.5	190.3	3585.9	1.4	P L 115 3 190.3	T 100B4	26.0
	7.5	387.9	3438.1	1.0	P E 132 387.9	T 100A2	12.0
	7.5	383.9	3438.4	0.9	P E 125 383.88	T 90LB2	10.5
	7.5	191.0	3442.3	1.2	P E 132 190.95	T 100B4	12.0
	7.5	388.9	3447.2	3.3	P E 190 388.88	T 100A2	27.0
	7.4	387.9	3474.5	1.0	P E 132 387.9	T 90LB2	12.0
	7.4	388.9	3479.9	3.3	P E 190 388.88	T 90LB2	27.0
	7.2	134.1	3724.9	3.1	P L 135 3 134.1	T 132S6	40.0
	7.1	135.8	3771.8	1.4	P L 115 3 135.8	T 132S6	26.0
	7.1	409.3	3626.3	2.2	P E 170 409.33	T 100A2	21.0
	7.1	135.8	3808.8	1.4	P L 115 3 135.8	T 112B6	26.0
	7.0	409.3	3662.4	2.2	P E 170 409.33	T 90LB2	21.0
	7.0	416.3	3689.5	0.9	P E 125 416.28	T 100A2	10.5
	6.9	139.9	3885.9	1.0	P L 105 3 139.9	T 132S6	22.0
	6.9	140.1	3891.9	2.9	P L 135 3 140.1	T 132S6	40.0
	6.9	416.3	3726.7	0.9	P E 125 416.28	T 90LB2	10.5
	6.9	420.9	3731.9	1.4	P E 150 420.86	T 100A2	16.0
	6.9	139.9	3925.8	0.9	P L 105 3 139.9	T 112B6	22.0
	6.9	141.7	3931.5	2.1	P L 125 3 141.7	T 132S6	33.0
	6.8	425.6	3769.7	3.1	P E 190 425.55	T 100A2	27.0
	6.8	420.9	3770.1	1.4	P E 150 420.86	T 90LB2	16.0
	6.8	210.3	3960.9	1.3	P L 115 3 210.3	T 100B4	26.0
	6.8	210.7	3797.5	3.3	P E 190 210.74	T 100B4	27.0
	6.8	425.6	3808.8	3.0	P E 190 425.55	T 90LB2	27.0
	6.8	141.7	3978.1	2.1	P L 125 3 141.7	T 112B6	33.0
	6.7	212.6	3831.4	1.0	P E 132 212.62	T 100B4	12.0
	6.7	215.0	3877.6	2.3	P E 170 215.02	T 100B4	21.0
	6.6	439.7	3894.7	0.9	P E 132 439.72	T 100A2	12.0
	6.6	216.6	3907.1	1.5	P E 150 216.61	T 100B4	16.0
	6.6	148.2	4111.8	1.3	P L 115 3 148.2	T 132S6	26.0
	6.6	439.7	3937.0	0.9	P E 132 439.72	T 90LB2	12.0
	6.5	445.6	3948.7	2.1	P E 170 445.6	T 100A2	21.0
	6.5	448.2	3972.8	2.9	P E 190 448.15	T 100A2	27.0
	6.5	148.2	4155.7	1.3	P L 115 3 148.2	T 112B6	26.0
	6.5	445.6	3991.5	2.0	P E 170 445.6	T 90LB2	21.0
	6.4	448.2	4010.2	2.9	P E 190 448.15	T 90LB2	27.0
	6.4	151.5	4029.2	0.9	P E 125 151.48	T 132S6	10.5
	6.4	458.3	4060.2	1.3	P E 150 458.31	T 100A2	16.0
6.3	151.5	4066.6	0.9	P E 125 151.48	T 112B6	10.5	
6.3	153.3	4254.4	2.7	P L 135 3 153.3	T 132S6	40.0	
6.3	153.9	4274.2	0.9	P L 105 3 153.9	T 132S6	22.0	
6.3	461.9	4092.1	0.8	P E 125 461.93	T 100A2	10.5	
6.3	227.3	4100.0	0.9	P E 125 227.28	T 100B4	10.5	
6.3	458.3	4105.4	1.3	P E 150 458.31	T 90LB2	16.0	
6.3	155.1	4309.0	1.9	P L 125 3 155.1	T 132S6	33.0	
6.2	153.9	4315.1	0.9	P L 105 3 153.9	T 112B6	22.0	
6.2	229.4	4322.8	1.2	P L 115 3 229.4	T 100B4	26.0	
6.2	461.9	4139.7	0.8	P E 125 461.93	T 90LB2	10.5	
6.2	155.1	4351.1	1.9	P L 125 3 155.1	T 112B6	33.0	
6.1	158.6	4213.5	0.9	P E 132 158.56	T 132S6	12.0	
6.1	234.0	4219.4	0.9	P E 132 234	T 100B4	12.0	
6.1	158.6	4261.4	0.9	P E 132 158.56	T 112B6	12.0	
6.0	483.2	4283.1	2.7	P E 190 483.23	T 100A2	27.0	
6.0	483.2	4283.4	1.9	P E 170 483.23	T 100A2	21.0	
6.0	483.9	4291.0	0.8	P E 132 483.92	T 100A2	12.0	
6.0	483.2	4326.6	2.7	P E 190 483.23	T 90LB2	27.0	
6.0	483.2	4326.2	1.9	P E 170 483.23	T 90LB2	21.0	
6.0	163.1	4526.6	1.2	P L 115 3 163.1	T 132S6	26.0	
6.0	483.9	4333.5	0.8	P E 132 483.92	T 90LB2	12.0	
5.9	163.1	4572.2	1.2	P L 115 3 163.1	T 112B6	26.0	
5.8	501.5	4445.7	1.2	P E 150 501.52	T 100A2	16.0	
5.8	246.9	4453.2	2.8	P E 190 246.94	T 100B4	27.0	
5.8	246.9	4453.2	2.0	P E 170 246.94	T 100B4	21.0	
5.8	168.7	4683.7	2.4	P L 135 3 168.7	T 132S6	40.0	
5.7	501.5	4492.5	1.2	P E 150 501.52	T 90LB2	16.0	
5.7	169.2	4699.1	0.8	P L 105 3 169.2	T 132S6	22.0	
5.7	251.2	4531.7	0.8	P E 125 251.17	T 100B4	10.5	
5.7	170.7	4741.8	1.7	P L 125 3 170.7	T 132S6	33.0	
5.7	169.2	4749.9	0.8	P L 105 3 169.2	T 112B6	22.0	
5.6	170.7	4791.9	1.7	P L 125 3 170.7	T 112B6	33.0	
5.6	520.0	4604.9	1.8	P E 170 520.04	T 100A2	21.0	
5.6	173.5	4611.8	0.9	P E 132 173.51	T 132S6	12.0	
5.6	524.8	4646.0	0.8	P E 132 524.76	T 100A2	12.0	
5.5	520.0	4654.3	1.7	P E 170 520.04	T 90LB2	21.0	
5.5	526.2	4662.8	2.5	P E 190 526.24	T 100A2	27.0	
5.5	173.5	4662.0	0.9	P E 132 173.51	T 112B6	12.0	
5.5	260.3	4696.7	0.9	P E 132 260.34	T 100B4	12.0	
5.5	524.8	4695.9	0.7	P E 132 524.76	T 90LB2	12.0	
5.5	526.2	4713.8	2.4	P E 190 526.24	T 90LB2	27.0	
5.4	265.4	4783.4	1.3	P E 150 265.44	T 100B4	16.0	
5.4	543.9	4818.7	0.7	P E 132 543.89	T 100A2	12.0	
5.3	267.7	5043.7	1.0	P L 115 3 267.7	T 100B4	26.0	
5.3	268.9	4846.8	2.6	P E 190 268.91	T 100B4	27.0	





P ₁ Input Power kW	n ₂ Output speed min ⁻¹	IR ratio -	T2 Ouput torque Nm	FS' Service Factor -	 GEAR	 EU	P _{tn} Thermal capacity kW
3	5,3	182,2	4846,8	2,6	P E 190 182,17	T 132S6	27,0
	5,3	268,8	4846,5	1,9	P E 170 268,78	T 100B4	21,0
	5,3	549,0	4864,9	1,1	P E 150 548,95	T 100A2	16,0
	5,3	543,9	4865,6	0,7	P E 132 543,89	T 90LB2	12,0
	5,3	183,7	5100,2	2,2	P L 135 3 183,7	T 132S6	40,0
	5,3	182,2	4893,0	2,6	P E 190 182,17	T 112B6	27,0
	5,3	549,0	4912,1	1,1	P E 150 548,95	T 90LB2	16,0
	5,2	185,2	5138,4	0,7	P L 105 3 185,2	T 132S6	22,0
	5,2	185,6	4929,6	0,7	P E 125 185,62	T 132S6	10,5
	5,2	559,2	4958,2	1,6	P E 170 559,19	T 100A2	21,0
	5,2	185,2	5199,2	0,7	P L 105 3 185,2	T 112B6	22,0
	5,2	185,6	4988,1	0,7	P E 125 185,62	T 112B6	10,5
	5,2	559,2	5007,2	1,6	P E 170 559,19	T 90LB2	21,0
	5,1	189,1	5249,8	1,6	P L 125 3 189,1	T 132S6	33,0
	5,1	190,3	5280,3	1,0	P L 115 3 190,3	T 132S6	26,0
	5,1	280,9	5066,1	1,2	P E 150 280,94	T 100B4	16,0
	5,1	189,1	5301,0	1,5	P L 125 3 189,1	T 112B6	33,0
	5,1	191,0	5076,1	0,8	P E 132 190,95	T 132S6	12,0
	5,1	575,9	5105,8	2,3	P E 190 575,86	T 100A2	27,0
	5,0	190,3	5344,2	1,0	P L 115 3 190,3	T 112B6	26,0
	5,0	191,0	5126,0	0,8	P E 132 190,95	T 112B6	12,0
	5,0	575,9	5157,0	2,2	P E 190 575,86	T 90LB2	27,0
	5,0	286,5	5168,0	0,8	P E 132 286,51	T 100B4	12,0
	4,9	290,0	5462,5	0,9	P L 115 3 290	T 100B4	26,0
	4,9	291,5	5251,4	2,4	P E 190 291,48	T 100B4	27,0
	4,9	595,3	5273,4	1,0	P E 150 595,28	T 100A2	16,0
	4,8	595,3	5327,2	1,0	P E 150 595,28	T 90LB2	16,0
	4,8	201,0	5576,2	2,1	P L 135 3 201	T 132S6	40,0
	4,8	606,4	5372,2	2,1	P E 190 606,41	T 100A2	27,0
	4,8	606,4	5371,4	1,5	P E 170 606,41	T 100A2	21,0
	4,8	606,4	5428,8	2,1	P E 190 606,41	T 90LB2	27,0
	4,8	606,4	5429,0	1,5	P E 170 606,41	T 90LB2	21,0
	4,7	302,0	5440,3	1,7	P E 170 301,96	T 100B4	21,0
	4,7	302,5	5451,4	2,3	P E 190 302,51	T 100B4	27,0
	4,6	310,5	5593,5	1,1	P E 150 310,47	T 100B4	16,0
	4,6	210,3	5841,2	0,9	P L 115 3 210,3	T 132S6	26,0
	4,6	210,7	5605,4	2,2	P E 190 210,74	T 132S6	27,0
	4,6	210,7	5654,4	2,2	P E 190 210,74	T 112B6	27,0
	4,6	210,3	5906,7	0,9	P L 115 3 210,3	T 112B6	26,0
	4,6	212,6	5655,0	0,7	P E 132 212,62	T 132S6	12,0
	4,5	643,2	5704,2	0,9	P E 150 643,23	T 100A2	16,0
	4,5	212,6	5703,4	0,7	P E 132 212,62	T 112B6	12,0
	4,5	316,6	5703,4	0,7	P E 132 316,62	T 100B4	12,0
	4,5	317,4	5717,3	2,2	P E 190 317,42	T 100B4	27,0
	4,5	215,0	5716,7	1,6	P E 170 215,02	T 132S6	21,0
	4,5	649,0	5755,6	1,4	P E 170 649	T 100A2	21,0
	4,5	216,6	5756,3	1,0	P E 150 216,61	T 132S6	16,0
	4,5	643,2	5754,9	0,9	P E 150 643,23	T 90LB2	16,0
	4,5	215,0	5781,6	1,6	P E 170 215,02	T 112B6	21,0
	4,4	649,0	5807,8	1,4	P E 170 649	T 90LB2	21,0
4,4	216,6	5821,5	1,0	P E 150 216,61	T 112B6	16,0	
4,4	660,4	5846,5	2,0	P E 190 660,37	T 100A2	27,0	
4,4	325,0	5859,4	1,0	P E 150 325	T 100B4	16,0	
4,4	221,2	6134,7	1,9	P L 135 3 221,2	T 132S6	40,0	
4,4	660,4	5913,6	1,9	P E 190 660,37	T 90LB2	27,0	
4,3	329,4	5941,1	2,1	P E 190 329,43	T 100B4	27,0	
4,3	330,6	5955,0	1,5	P E 170 330,6	T 100B4	21,0	
4,2	229,4	6367,3	0,9	P L 115 3 229,4	T 132S6	26,0	
4,2	229,4	6442,6	0,8	P L 115 3 229,4	T 112B6	26,0	
4,2	697,9	6183,2	1,3	P E 170 697,85	T 100A2	21,0	
4,2	697,5	6183,2	0,9	P E 150 697,51	T 100A2	16,0	
4,1	704,9	6243,2	1,8	P E 190 704,94	T 100A2	27,0	
4,1	697,9	6243,6	1,3	P E 170 697,85	T 90LB2	21,0	
4,1	697,5	6242,8	0,9	P E 150 697,51	T 90LB2	16,0	
4,1	347,4	6258,3	2,0	P E 190 347,35	T 100B4	27,0	
4,1	704,9	6304,8	1,8	P E 190 704,94	T 90LB2	27,0	
4,0	357,1	6446,6	1,9	P E 190 357,1	T 100B4	27,0	
4,0	357,1	6447,0	1,4	P E 170 357,1	T 100B4	21,0	
4,0	359,2	6479,5	0,9	P E 150 359,17	T 100B4	16,0	
4,0	245,1	6801,3	1,7	P L 135 3 245,1	T 132S6	40,0	
3,9	246,9	6560,5	1,9	P E 190 246,94	T 132S6	27,0	
3,9	246,9	6561,4	1,4	P E 170 246,94	T 132S6	21,0	
3,9	743,0	6577,3	0,8	P E 150 743,02	T 100A2	16,0	
3,9	246,9	6629,0	1,9	P E 190 246,94	T 112B6	27,0	
3,9	246,9	6629,0	1,4	P E 170 246,94	T 112B6	21,0	
3,9	743,0	6644,8	0,8	P E 150 743,02	T 90LB2	16,0	
3,9	756,8	6697,7	1,7	P E 190 756,78	T 100A2	27,0	
3,9	756,8	6697,9	1,2	P E 170 756,78	T 100A2	21,0	
3,8	756,8	6767,4	1,7	P E 190 756,78	T 90LB2	27,0	
3,8	756,8	6766,9	1,2	P E 170 756,78	T 90LB2	21,0	
3,8	766,5	6786,8	0,8	P E 150 766,52	T 100A2	16,0	
3,8	377,5	6802,7	1,3	P E 170 377,45	T 100B4	21,0	
3,8	380,8	6857,1	0,9	P E 150 380,82	T 100B4	16,0	
3,8	766,5	6858,6	0,8	P E 150 766,52	T 90LB2	16,0	
3,7	388,9	7006,7	1,8	P E 190 388,88	T 100B4	27,0	
3,7	265,4	7064,4	0,8	P E 150 265,44	T 132S6	16,0	
3,6	265,4	7123,1	0,8	P E 150 265,44	T 112B6	16,0	
3,6	267,7	7440,5	0,7	P L 115 3 267,7	T 132S6	26,0	
3,6	268,9	7142,9	1,8	P E 190 268,91	T 132S6	27,0	
3,6	268,8	7142,9	1,3	P E 170 268,78	T 132S6	21,0	
3,6	811,3	7183,0	1,1	P E 170 811,25	T 100A2	21,0	
3,6	267,7	7502,1	0,7	P L 115 3 267,7	T 112B6	26,0	
3,6	268,9	7222,7	1,7	P E 190 268,91	T 112B6	27,0	
3,6	268,8	7223,1	1,2	P E 170 268,78	T 112B6	21,0	
3,6	811,3	7262,4	1,1	P E 170 811,25	T 90LB2	21,0	



HIGH TECH *line* Motion

P ₁ Input Power kW	n ₂ Output speed min ⁻¹	IR ratio -	T ₂ Output torque Nm	FS' Service Factor -			P _{tn} Thermal capacity kW
	3.5	824.1	7304.7	1.6	P E 190 824,12	T 100A2	27.0
	3.5	831.2	7367.0	0.7	P E 150 831,21	T 100A2	16.0
	3.5	824.1	7387.6	1.6	P E 190 824,12	T 90LB2	27.0
	3.5	409.3	7389.2	1.2	P E 170 409,33	T 100B4	21.0
	3.5	831.2	7451.7	0.7	P E 150 831,21	T 90LB2	16.0
	3.5	280.9	7475.1	0.8	P E 150 280,94	T 132S6	16.0
	3.4	280.9	7540.8	0.8	P E 150 280,94	T 112B6	16.0
	3.4	420.9	7585.3	0.8	P E 150 420,86	T 100B4	16.0
	3.4	425.6	7673.4	1.6	P E 190 425,55	T 100B4	27.0
	3.3	291.5	7743.1	1.6	P E 190 291,48	T 132S6	27.0
	3.3	879.8	7789.6	1.5	P E 190 879,75	T 100A2	27.0
	3.3	879.8	7791.0	1.0	P E 170 879,75	T 100A2	21.0
	3.3	291.5	7837.0	1.6	P E 190 291,48	T 112B6	27.0
	3.3	879.8	7885.7	1.5	P E 190 879,75	T 90LB2	27.0
	3.3	879.8	7884.5	1.0	P E 170 879,75	T 90LB2	21.0
	3.2	302.5	8033.4	1.6	P E 190 302,51	T 132S6	27.0
	3.2	302.0	8033.3	1.1	P E 170 301,96	T 132S6	21.0
	3.2	445.6	8033.3	1.1	P E 170 445,6	T 100B4	21.0
	3.2	448.2	8083.6	1.5	P E 190 448,15	T 100B4	27.0
	3.2	302.0	8108.1	1.1	P E 170 301,96	T 112B6	21.0
	3.2	302.5	8134.5	1.5	P E 190 302,51	T 112B6	27.0
	3.1	458.3	8264.5	0.7	P E 150 458,31	T 100B4	16.0
	3.1	310.5	8264.5	0.7	P E 150 310,47	T 132S6	16.0
	3.1	310.5	8344.9	0.7	P E 150 310,47	T 112B6	16.0
	3.1	317.4	8427.0	1.5	P E 190 317,42	T 132S6	27.0
	3.0	958.0	8482.9	1.4	P E 190 958,04	T 100A2	27.0
	3.0	317.4	8538.3	1.5	P E 190 317,42	T 112B6	27.0
	3.0	958.0	8567.2	1.3	P E 190 958,04	T 90LB2	27.0
	3.0	981.4	8681.7	0.9	P E 170 981,35	T 100A2	21.0
	3.0	483.2	8710.8	1.4	P E 190 483,23	T 100B4	27.0
	3.0	483.2	8712.5	1.0	P E 170 483,23	T 100B4	21.0
	2.9	329.4	8769.9	1.4	P E 190 329,43	T 132S6	27.0
	2.9	330.6	8800.5	1.0	P E 170 330,6	T 132S6	21.0
	2.9	981.4	8801.2	0.9	P E 170 981,35	T 90LB2	21.0
	2.9	329.4	8861.1	1.4	P E 190 329,43	T 112B6	27.0
	2.9	330.6	8890.4	1.0	P E 170 330,6	T 112B6	21.0
	2.8	347.4	9241.0	1.4	P E 190 347,35	T 132S6	27.0
	2.8	347.4	9342.3	1.3	P E 190 347,35	T 112B6	27.0
	2.8	520.0	9375.0	1.0	P E 170 520,04	T 100B4	21.0
	2.7	1064.2	9444.3	1.2	P E 190 1064,22	T 100A2	27.0
	2.7	1064.2	9444.2	0.9	P E 170 1064,22	T 100A2	21.0
	2.7	357.1	9479.3	1.3	P E 190 357,1	T 132S6	27.0
	2.7	526.2	9479.3	1.3	P E 190 526,24	T 100B4	27.0
	2.7	357.1	9480.3	0.9	P E 170 357,1	T 132S6	21.0
	2.7	1064.2	9514.6	1.2	P E 190 1064,22	T 90LB2	27.0
	2.7	1064.2	9514.5	0.9	P E 170 1064,22	T 90LB2	21.0
	2.7	357.1	9585.9	1.3	P E 190 357,1	T 112B6	27.0
	2.7	357.1	9584.7	0.9	P E 170 357,1	T 112B6	21.0
	2.6	377.5	10033.4	0.9	P E 170 377,45	T 132S6	21.0
	2.6	559.2	10070.9	0.9	P E 170 559,19	T 100B4	21.0
	2.5	377.5	10150.4	0.9	P E 170 377,45	T 112B6	21.0
	2.5	1158.9	10274.0	1.1	P E 190 1158,92	T 100A2	27.0
	2.5	1158.9	10274.8	0.8	P E 170 1158,92	T 100A2	21.0
	2.5	388.9	10356.3	1.2	P E 190 388,88	T 132S6	27.0
	2.5	1158.9	10354.1	1.1	P E 190 1158,92	T 90LB2	27.0
	2.5	1158.9	10353.6	0.8	P E 170 1158,92	T 90LB2	21.0
	2.5	575.9	10396.5	1.2	P E 190 575,86	T 100B4	27.0
	2.5	388.9	10439.9	1.2	P E 190 388,88	T 112B6	27.0
	2.4	409.3	10878.3	0.8	P E 170 409,33	T 132S6	21.0
	2.4	606.4	10926.6	1.1	P E 190 606,41	T 100B4	27.0
	2.4	606.4	10926.8	0.8	P E 170 606,41	T 100B4	21.0
	2.4	409.3	10971.1	0.8	P E 170 409,33	T 112B6	21.0
	2.3	1268.2	11259.8	1.0	P E 190 1268,2	T 100A2	27.0
	2.3	1268.2	11260.4	0.7	P E 170 1268,2	T 100A2	21.0
	2.3	425.6	11308.8	1.1	P E 190 425,55	T 132S6	27.0
	2.3	1268.2	11359.9	1.0	P E 190 1268,2	T 90LB2	27.0
	2.3	1268.2	11360.4	0.7	P E 170 1268,2	T 90LB2	21.0
	2.3	425.6	11408.6	1.1	P E 190 425,55	T 112B6	27.0
	2.2	649.0	11718.8	0.8	P E 170 649	T 100B4	21.0
	2.2	445.6	11826.5	0.8	P E 170 445,6	T 132S6	21.0
	2.2	660.4	11882.1	1.1	P E 190 660,37	T 100B4	27.0
	2.2	448.2	11938.9	1.0	P E 190 448,15	T 132S6	27.0
	2.2	445.6	11994.7	0.8	P E 170 445,6	T 112B6	21.0
	2.1	448.2	12050.1	1.0	P E 190 448,15	T 112B6	27.0
	2.1	1395.7	12396.7	0.9	P E 190 1395,69	T 100A2	27.0
	2.1	1395.7	12518.1	0.9	P E 190 1395,69	T 90LB2	27.0
	2.1	697.9	12575.7	0.7	P E 170 697,85	T 100B4	21.0
	2.0	704.9	12703.3	1.0	P E 190 704,94	T 100B4	27.0
	2.0	483.2	12829.3	1.0	P E 190 483,23	T 132S6	27.0
	2.0	483.2	12826.6	0.7	P E 170 483,23	T 132S6	21.0
	2.0	483.2	12957.8	1.0	P E 190 483,23	T 112B6	27.0
	1.9	756.8	13641.3	0.9	P E 190 756,78	T 100B4	27.0
	1.9	1546.4	13717.7	0.8	P E 190 1546,36	T 100A2	27.0
	1.9	1546.4	13861.0	0.8	P E 190 1546,36	T 90LB2	27.0
	1.8	526.2	14013.5	0.9	P E 190 526,24	T 132S6	27.0
	1.8	526.2	14167.0	0.9	P E 190 526,24	T 112B6	27.0
	1.7	824.1	14816.3	0.8	P E 190 824,12	T 100B4	27.0
	1.7	575.9	15350.0	0.8	P E 190 575,86	T 132S6	27.0
	1.7	575.9	15438.5	0.8	P E 190 575,86	T 112B6	27.0
	1.6	879.8	15816.1	0.8	P E 190 879,75	T 100B4	27.0
	1.6	606.4	16115.2	0.8	P E 190 606,41	T 132S6	27.0
	1.6	606.4	16318.5	0.8	P E 190 606,41	T 112B6	27.0
	1.5	958.0	17305.0	0.7	P E 190 958,04	T 100B4	27.0
	1.5	660.4	17539.8	0.7	P E 190 660,37	T 132S6	27.0
	1.5	660.4	17780.9	0.7	P E 190 660,37	T 112B6	27.0

3



P ₁ Input Power kW	n ₂ Output speed min ⁻¹	IR ratio -	T2 Ouput torque Nm	FS' Service Factor -	 GEAR	 EU	P _{tn} Thermal capacity kW
	976,7	3,0	37,2	2,1	P - 63 2 3	T 112A2	5,6
	973,3	3,0	37,3	2,1	P - 63 2 3	T 100B2	5,6
	751,3	3,9	48,3	1,9	P - 63 2 3,9	T 112A2	5,6
	748,7	3,9	48,5	1,9	P - 63 2 3,9	T 100B2	5,6
	681,4	4,3	53,3	1,8	P - 63 2 4,3	T 112A2	5,6
	679,1	4,3	53,4	1,8	P - 63 2 4,3	T 100B2	5,6
	586,0	5,0	61,9	1,8	P - 63 2 5	T 112A2	5,6
	584,0	5,0	62,1	1,8	P - 63 2 5	T 100B2	5,6
	553,9	2,6	65,5	2,0	P - 71 2 2,6	T 112A4	7,5
	552,8	5,3	65,6	2,7	P - 71 2 5,3	T 112A2	7,5
	550,9	5,3	65,9	2,7	P - 71 2 5,3	T 100B2	7,5
	550,0	2,6	66,0	2,0	P - 71 2 2,6	T 100BL4	7,5
	523,2	5,6	69,4	1,8	P - 63 2 5,6	T 112A2	5,6
	521,4	5,6	69,6	1,8	P - 63 2 5,6	T 100B2	5,6
	480,0	3,0	75,6	1,1	P - 63 2 3	T 112A4	5,6
	476,7	3,0	76,1	1,1	P - 63 2 3	T 100BL4	5,6
	472,6	6,2	76,8	3,0	P - 71 2 6,2	T 112A2	7,5
	472,6	6,2	76,8	1,7	P - 63 2 6,2	T 112A2	5,6
	471,0	6,2	77,1	3,0	P - 71 2 6,2	T 100B2	7,5
	471,0	6,2	77,0	1,7	P - 63 2 6,2	T 100B2	5,6
	450,8	6,5	80,5	1,7	P - 63 2 6,5	T 112A2	5,6
	450,0	3,2	80,6	1,9	P - 71 2 3,2	T 112A4	7,5
	449,2	6,5	80,8	1,7	P - 63 2 6,5	T 100B2	5,6
	446,9	3,2	81,2	1,8	P - 71 2 3,2	T 100BL4	7,5
	396,0	7,4	91,7	1,5	P - 63 2 7,4	T 112A2	5,6
	394,6	7,4	92,0	1,5	P - 63 2 7,4	T 100B2	5,6
	379,0	3,8	95,8	1,8	P - 71 2 3,8	T 112A4	7,5
	376,3	3,8	96,4	1,8	P - 71 2 3,8	T 100BL4	7,5
	369,2	3,9	98,3	1,1	P - 63 2 3,9	T 112A4	5,6
	366,7	3,9	99,0	1,1	P - 63 2 3,9	T 100BL4	5,6
	366,3	8,0	99,1	1,5	P - 63 2 8	T 112A2	5,6
	365,0	8,0	99,4	1,5	P - 63 2 8	T 100B2	5,6
	336,8	8,7	107,8	2,6	P - 71 2 8,7	T 112A2	7,5
	335,6	8,7	108,1	2,6	P - 71 2 8,7	T 100B2	7,5
	334,9	4,3	108,4	1,8	P - 71 2 4,3	T 112A4	7,5
	334,9	4,3	108,4	1,2	P - 63 2 4,3	T 112A4	5,6
	332,6	4,3	109,1	1,8	P - 71 2 4,3	T 100BL4	7,5
	332,6	4,3	109,1	1,2	P - 63 2 4,3	T 100BL4	5,6
	325,6	9,0	111,5	1,5	P - 63 2 9	T 112A2	5,6
	324,4	9,0	111,8	1,5	P - 63 2 9	T 100B2	5,6
	288,0	5,0	126,0	1,1	P - 63 2 5	T 112A4	5,6
	287,3	10,2	126,3	2,9	P - 71 2 10,2	T 112A2	7,5
	286,3	10,2	126,8	2,9	P - 71 2 10,2	T 100B2	7,5
	286,0	5,0	126,9	1,1	P - 63 2 5	T 100BL4	5,6
	281,7	10,4	128,8	1,4	P - 63 2 10,4	T 112A2	5,6
	280,8	10,4	129,2	1,4	P - 63 2 10,4	T 100B2	5,6
	271,7	5,3	133,6	1,6	P - 71 2 5,3	T 112A4	7,5
	269,8	5,3	134,5	1,6	P - 71 2 5,3	T 100BL4	7,5
	257,1	5,6	141,1	1,1	P - 63 2 5,6	T 112A4	5,6
	255,4	5,6	142,1	1,1	P - 63 2 5,6	T 100BL4	5,6
	252,6	11,6	143,7	2,6	P - 71 2 11,6	T 112A2	7,5
	251,7	11,6	144,2	2,6	P - 71 2 11,6	T 100B2	7,5
	248,3	11,8	146,2	1,3	P - 63 2 11,8	T 112A2	5,6
	247,5	11,8	146,7	1,3	P - 63 2 11,8	T 100B2	5,6
	238,2	12,3	152,3	1,8	P - 71 2 12,3	T 112A2	7,5
	237,4	12,3	152,9	1,8	P - 71 2 12,3	T 100B2	7,5
	232,3	6,2	156,2	1,7	P - 71 2 6,2	T 112A4	7,5
	232,3	6,2	156,2	1,0	P - 63 2 6,2	T 112A4	5,6
	230,7	6,2	157,3	1,7	P - 71 2 6,2	T 100BL4	7,5
	230,7	6,2	157,3	1,0	P - 63 2 6,2	T 100BL4	5,6
	221,5	6,5	163,8	1,0	P - 63 2 6,5	T 112A4	5,6
	220,0	6,5	165,0	1,0	P - 63 2 6,5	T 100BL4	5,6
	217,0	13,5	167,2	1,2	P - 63 2 13,5	T 112A2	5,6
	216,3	13,5	167,8	1,2	P - 63 2 13,5	T 100B2	5,6
	209,3	14,0	173,4	2,3	P - 71 2 14	T 112A2	7,5
	208,6	14,0	174,0	2,3	P - 71 2 14	T 100B2	7,5
	203,5	14,4	178,4	1,1	P - 63 2 14,4	T 112A2	5,6
	202,8	7,1	178,9	1,7	P - 71 2 7,1	T 112A4	7,5
	202,8	14,4	178,9	1,1	P - 63 2 14,4	T 100B2	5,6
	201,4	7,1	180,2	1,7	P - 71 2 7,1	T 100BL4	7,5
	194,6	7,4	186,5	1,0	P - 63 2 7,4	T 112A4	5,6
	193,2	7,4	187,8	1,0	P - 63 2 7,4	T 100BL4	5,6
	183,0	5,3	198,3	2,7	P - 90 2 5,3	T 132M6	10,5
	182,0	16,1	199,4	2,1	P - 71 2 16,1	T 112A2	7,5
	181,4	16,1	200,1	2,1	P - 71 2 16,1	T 100B2	7,5
	180,0	8,0	201,6	1,0	P - 63 2 8	T 112A4	5,6
	178,8	8,0	203,0	1,0	P - 63 2 8	T 100BL4	5,6
	173,4	16,9	209,3	1,1	P - 63 2 16,9	T 112A2	5,6
	172,8	16,9	210,0	1,1	P - 63 2 16,9	T 100B2	5,6
	169,4	17,3	214,3	2,0	P - 71 2 17,3	T 112A2	7,5
	168,8	17,3	215,0	2,0	P - 71 2 17,3	T 100B2	7,5
	165,5	8,7	219,2	2,6	P - 90 2 8,7	T 112A4	10,5
	165,5	8,7	219,2	1,4	P - 71 2 8,7	T 112A4	7,5
	164,4	5,9	220,7	2,5	P - 90 2 5,9	T 132M6	10,5
	164,4	8,7	220,8	2,5	P - 90 2 8,7	T 100BL4	10,5
	164,4	8,7	220,8	1,4	P - 71 2 8,7	T 100BL4	7,5
	160,0	9,0	226,8	0,9	P - 63 2 9	T 112A4	5,6
	158,9	9,0	228,4	0,9	P - 63 2 9	T 100BL4	5,6
	156,7	18,7	231,6	1,8	P - 71 2 18,7	T 112A2	7,5
	156,2	18,7	232,4	1,8	P - 71 2 18,7	T 100B2	7,5
	154,8	9,3	234,4	2,4	P - 90 2 9,3	T 112A4	10,5
	153,8	9,3	236,0	2,4	P - 90 2 9,3	T 100BL4	10,5
	153,2	9,4	236,9	2,9	P - 80 2 9,4	T 112A4	7,5
	152,1	9,4	238,5	2,9	P - 80 2 9,4	T 100BL4	7,5
	150,3	19,5	241,4	2,2	P - 80 2 19,49	T 112A2	7,5

4

E



HIGH TECH *line* Motion

P ₁ Input Power kW	n ₂ Output speed min ⁻¹	IR ratio -	T ₂ Ouput torque Nm	FS' Service Factor -			P _{tn} Thermal capacity kW
	149,8	19,5	242,2	2,2	P - 80 2 19,49	T 100B2	7,5
	148,0	19,8	245,3	0,9	P - 63 2 19,8	T 112A2	5,6
	147,5	19,8	246,1	0,9	P - 63 2 19,8	T 100B2	5,6
	145,2	6,7	249,9	3,0	P - 80 2 6,68	T 132M6	7,5
	145,1	20,2	250,2	1,7	P - 71 2 20,2	T 112A2	7,5
	144,8	6,7	250,7	2,4	P - 90 2 6,7	T 132M6	10,5
	144,6	20,2	251,0	1,7	P - 71 2 20,2	T 100B2	7,5
	143,4	10,0	253,0	2,6	P - 80 2 10,04	T 112A4	7,5
	142,9	20,5	253,9	0,8	P - 63 2 20,5	T 112A2	5,6
	142,7	20,5	254,3	2,1	P - 80 2 20,53	T 112A2	7,5
	142,4	20,5	254,8	0,8	P - 63 2 20,5	T 100B2	5,6
	142,4	10,0	254,8	2,6	P - 80 2 10,04	T 100BL4	7,5
	142,2	20,5	255,1	2,1	P - 80 2 20,53	T 100B2	7,5
	141,2	10,2	257,0	1,6	P - 71 2 10,2	T 112A4	7,5
	140,2	10,2	258,9	1,6	P - 71 2 10,2	T 100BL4	7,5
	138,5	10,4	262,1	0,8	P - 63 2 10,4	T 112A4	5,6
	137,5	10,4	263,9	0,8	P - 63 2 10,4	T 100BL4	5,6
	136,9	21,4	265,0	2,8	P - 90 2 21,4	T 112A2	10,5
	136,5	21,5	265,8	2,0	P - 80 2 21,46	T 112A2	7,5
	136,5	21,4	265,9	2,8	P - 90 2 21,4	T 100B2	10,5
	136,1	21,5	266,7	2,0	P - 80 2 21,46	T 100B2	7,5
	134,4	7,2	270,1	2,7	P - 80 2 7,22	T 132M6	7,5
	133,8	21,9	271,2	1,5	P - 71 2 21,9	T 112A2	7,5
	133,3	21,9	272,2	1,5	P - 71 2 21,9	T 100B2	7,5
	124,4	7,8	291,8	2,4	P - 90 2 7,8	T 132M6	10,5
	124,1	11,6	292,3	1,5	P - 71 2 11,6	T 112A4	7,5
	123,9	11,6	292,8	2,3	P - 80 2 11,62	T 112A4	7,5
	123,3	11,6	294,4	1,5	P - 71 2 11,6	T 100BL4	7,5
	123,1	23,8	288,6	2,5	P L 85 3 23,8	T 112A2	11,0
	123,1	11,6	294,9	2,2	P - 80 2 11,62	T 100BL4	7,5
	122,7	23,8	289,6	2,5	P L 85 3 23,8	T 100B2	11,0
	122,7	23,9	295,9	1,8	P - 80 2 23,89	T 112A2	7,5
	122,2	23,9	296,9	1,8	P - 80 2 23,89	T 100B2	7,5
	117,2	25,0	309,7	2,4	P - 90 2 25	T 112A2	10,5
	117,1	12,3	310,0	2,9	P - 90 2 12,3	T 112A4	10,5
	117,1	12,3	310,0	1,0	P - 71 2 12,3	T 112A4	7,5
	116,8	25,0	310,7	2,4	P - 90 2 25	T 100B2	10,5
	116,3	12,3	312,2	2,9	P - 90 2 12,3	T 100BL4	10,5
	116,3	12,3	312,2	1,0	P - 71 2 12,3	T 100BL4	7,5
	116,0	8,4	312,8	2,4	P - 80 2 8,36	T 132M6	7,5
	115,8	25,3	313,4	1,1	P - 71 2 25,3	T 112A2	7,5
	115,4	25,3	314,4	1,1	P - 71 2 25,3	T 100B2	7,5
	111,5	8,7	325,5	1,7	P - 90 2 8,7	T 132M6	10,5
	111,4	26,3	325,7	1,7	P - 80 2 26,3	T 112A2	7,5
	111,0	26,3	326,8	1,7	P - 80 2 26,3	T 100B2	7,5
	111,0	26,4	320,1	1,7	P L 65 3 26,4	T 112A2	8,0
	110,6	26,4	321,2	1,7	P L 65 3 26,4	T 100B2	8,0
	106,6	27,5	333,4	2,6	P L 85 3 27,5	T 112A2	11,0
	106,2	27,5	334,6	2,6	P L 85 3 27,5	T 100B2	11,0
	105,8	27,7	343,1	2,2	P - 90 2 27,7	T 112A2	10,5
	105,4	27,7	344,2	2,2	P - 90 2 27,7	T 100B2	10,5
	104,7	13,8	346,5	2,2	P - 80 2 13,75	T 112A4	7,5
	104,3	9,3	347,9	1,6	P - 90 2 9,3	T 132M6	10,5
	104,0	13,8	349,0	2,1	P - 80 2 13,75	T 100BL4	7,5
	103,2	28,4	351,5	1,5	P - 80 2 28,38	T 112A2	7,5
	103,2	9,4	351,7	2,1	P - 80 2 9,4	T 132M6	7,5
	102,9	28,4	352,7	1,5	P - 80 2 28,38	T 100B2	7,5
	102,9	14,0	352,8	2,6	P - 90 2 14	T 112A4	10,5
	102,9	14,0	352,8	1,3	P - 71 2 14	T 112A4	7,5
	102,1	14,0	355,3	2,6	P - 90 2 14	T 100BL4	10,5
	102,1	14,0	355,3	1,3	P - 71 2 14	T 100BL4	7,5
	101,7	28,8	356,7	1,2	P - 71 2 28,8	T 112A2	7,5
	101,4	28,8	357,9	1,1	P - 71 2 28,8	T 100B2	7,5
	100,0	9,7	362,9	2,4	P - 90 2 9,7	T 132M6	10,5
	97,7	14,7	371,5	2,0	P - 80 2 14,74	T 112A4	7,5
	97,2	30,2	373,4	1,4	P - 80 2 30,15	T 112A2	7,5
	97,0	14,7	374,1	2,0	P - 80 2 14,74	T 100BL4	7,5
	96,9	30,2	374,7	1,4	P - 80 2 30,15	T 100B2	7,5
	96,6	10,0	375,6	1,9	P - 80 2 10,04	T 132M6	7,5
	96,1	30,5	377,7	2,0	P - 90 2 30,5	T 112A2	10,5
	95,7	30,5	379,0	2,0	P - 90 2 30,5	T 100B2	10,5
	90,7	32,3	391,7	1,4	P L 65 3 32,3	T 112A2	8,0
	90,4	32,3	393,0	1,4	P L 65 3 32,3	T 100B2	8,0
	90,0	16,0	403,2	2,3	P - 90 2 16	T 112A4	10,5
	89,4	16,1	405,7	1,1	P - 71 2 16,1	T 112A4	7,5
	89,4	16,0	406,0	2,2	P - 90 2 16	T 100BL4	10,5
	89,0	10,9	407,8	2,3	P - 90 2 10,9	T 132M6	10,5
	88,8	16,1	408,6	1,1	P - 71 2 16,1	T 100BL4	7,5
	88,5	33,1	410,0	0,9	P - 71 2 33,1	T 112A2	7,5
	88,2	33,1	411,3	0,9	P - 71 2 33,1	T 100B2	7,5
	87,4	11,1	415,3	2,6	P - 112 2 11,1	T 132M6	16,5
	84,9	34,5	418,3	2,4	P L 85 3 34,5	T 112A2	11,0
	84,6	34,5	419,7	2,4	P L 85 3 34,5	T 100B2	11,0
	84,4	17,1	430,2	2,0	P - 80 2 17,07	T 112A4	7,5
	84,2	34,8	430,9	1,3	P - 80 2 34,79	T 112A2	7,5
	84,2	17,1	430,9	2,1	P - 90 2 17,1	T 112A4	10,5
	83,9	34,8	432,3	1,2	P - 80 2 34,79	T 100B2	7,5
	83,8	17,1	433,2	2,0	P - 80 2 17,07	T 100BL4	7,5
	83,7	35,0	433,5	1,6	P - 90 2 35	T 112A2	10,5
	83,6	17,1	434,0	2,1	P - 90 2 17,1	T 100BL4	10,5
	83,5	11,6	434,7	1,7	P - 80 2 11,62	T 132M6	7,5
	83,4	35,0	435,0	1,6	P - 90 2 35	T 100B2	10,5
	83,2	17,3	436,0	1,1	P - 71 2 17,3	T 112A4	7,5
	82,7	17,3	439,0	1,0	P - 71 2 17,3	T 100BL4	7,5
	78,9	12,3	460,2	2,0	P - 90 2 12,3	T 132M6	10,5

4

P ₁ Input Power kW	n ₂ Output speed min ⁻¹	IR ratio -	T2 Ouput torque Nm	FS' Service Factor -	 GEAR	 EU	Ptn Thermal capacity kW
	78,1	18,5	464,9	1,9	P - 80 2 18,45	T 112A4	7,5
	77,9	37,6	455,9	1,2	P L 65 3 37,6	T 112A2	8,0
	77,7	37,6	457,4	1,2	P L 65 3 37,6	T 100B2	8,0
	77,5	18,5	468,2	1,9	P - 80 2 18,45	T 100BL4	7,5
	77,2	38,0	470,0	1,1	P - 80 2 37,95	T 112A2	7,5
	77,0	18,7	471,2	1,0	P - 71 2 18,7	T 112A4	7,5
	76,9	38,0	471,6	1,1	P - 80 2 37,95	T 100B2	7,5
	76,5	18,7	474,6	1,0	P - 71 2 18,7	T 100BL4	7,5
	75,7	38,7	469,3	2,3	P L 85 3 38,7	T 112A2	11,0
	75,7	38,7	469,2	1,5	P - 90 3 38,7	T 112A2	7,5
	75,5	38,7	470,8	2,3	P L 85 3 38,7	T 100B2	11,0
	75,5	38,7	470,8	1,5	P - 90 3 38,7	T 100B2	7,5
	73,9	39,6	490,9	0,9	P - 80 2 39,63	T 112A2	7,5
	73,9	19,5	491,2	1,2	P - 80 2 19,49	T 112A4	7,5
	73,7	39,6	492,5	0,9	P - 80 2 39,63	T 100B2	7,5
	73,4	19,5	494,6	1,2	P - 80 2 19,49	T 100BL4	7,5
	72,7	19,8	499,0	1,8	P - 90 2 19,8	T 112A4	10,5
	72,5	40,4	500,4	1,2	P - 90 2 40,4	T 112A2	10,5
	72,3	40,4	502,0	1,2	P - 90 2 40,4	T 100B2	10,5
	72,2	19,8	502,5	1,8	P - 90 2 19,8	T 100BL4	10,5
	72,0	40,7	504,1	2,9	P - 112 2 40,7	T 112A2	16,5
	71,7	40,7	505,8	2,9	P - 112 2 40,7	T 100B2	16,5
	71,3	20,2	509,0	0,9	P - 71 2 20,2	T 112A4	7,5
	70,8	20,2	512,7	0,9	P - 71 2 20,2	T 100BL4	7,5
	70,6	13,8	514,4	1,6	P - 80 2 13,75	T 132M6	7,5
	70,1	20,5	517,4	1,2	P - 80 2 20,53	T 112A4	7,5
	69,7	20,5	521,1	1,2	P - 80 2 20,53	T 100BL4	7,5
	69,4	42,3	523,3	0,9	P - 80 2 42,25	T 112A2	7,5
	69,3	14,0	523,8	1,8	P - 90 2 14	T 132M6	10,5
	69,1	42,3	525,1	0,9	P - 80 2 42,25	T 100B2	7,5
	67,3	21,4	539,3	1,7	P - 90 2 21,4	T 112A4	10,5
	67,1	21,5	540,8	1,1	P - 80 2 21,46	T 112A4	7,5
	67,1	43,7	529,9	2,0	P L 85 3 43,7	T 112A2	11,0
	67,1	43,7	529,8	1,4	P - 90 3 43,7	T 112A2	7,5
	66,8	43,7	531,7	2,0	P L 85 3 43,7	T 100B2	11,0
	66,8	21,4	543,1	1,7	P - 90 2 21,4	T 100BL4	10,5
	66,8	43,7	531,6	1,4	P - 90 3 43,7	T 100B2	7,5
	66,6	21,5	544,6	1,1	P - 80 2 21,46	T 100BL4	7,5
	66,4	44,1	546,2	1,3	P - 90 2 44,1	T 112A2	10,5
	66,2	44,1	548,1	1,3	P - 90 2 44,1	T 100B2	10,5
	65,8	14,7	551,4	1,5	P - 80 2 14,74	T 132M6	7,5
	65,8	21,9	551,9	0,8	P - 71 2 21,9	T 112A4	7,5
	65,6	44,7	553,6	2,6	P - 112 2 44,7	T 112A2	16,5
	65,3	44,7	555,6	2,6	P - 112 2 44,7	T 100B2	16,5
	65,3	21,9	555,7	0,8	P - 71 2 21,9	T 100BL4	7,5
	63,7	46,0	557,7	1,0	P L 65 3 46	T 112A2	8,0
	63,5	46,0	559,6	1,0	P L 65 3 46	T 100B2	8,0
	61,0	23,6	582,2	2,7	P L 95 3 23,6	T 112A4	16,0
	60,6	16,0	598,7	1,5	P - 90 2 16	T 132M6	10,5
	60,6	23,6	586,3	2,7	P L 95 3 23,6	T 100BL4	16,0
	60,5	23,8	587,2	1,4	P L 85 3 23,8	T 112A4	11,0
	60,3	23,9	602,0	1,0	P - 80 2 23,89	T 112A4	7,5
	60,1	23,8	591,3	1,4	P L 85 3 23,8	T 100BL4	11,0
	60,0	48,8	591,7	1,3	P - 90 3 48,8	T 112A2	7,5
	59,9	48,9	605,6	2,4	P - 112 2 48,9	T 112A2	16,5
	59,9	23,9	606,2	1,0	P - 80 2 23,89	T 100BL4	7,5
	59,8	48,8	593,7	1,3	P - 90 3 48,8	T 100B2	7,5
	59,7	48,9	607,8	2,4	P - 112 2 48,9	T 100B2	16,5
	59,5	16,3	609,8	3,0	P - 112 2 16,3	T 132M6	16,5
	57,6	25,0	630,1	1,4	P - 90 2 25	T 112A4	10,5
	57,6	50,9	630,5	1,1	P - 90 2 50,9	T 112A2	10,5
	57,4	50,9	632,6	1,1	P - 90 2 50,9	T 100B2	10,5
	57,2	51,2	620,8	2,2	P - 112 3 51,2	T 112A2	11,8
	57,2	25,0	634,5	1,4	P - 90 2 25	T 100BL4	10,5
	57,0	51,2	622,9	2,2	P - 112 3 51,2	T 100B2	11,8
	56,8	17,1	638,6	1,4	P - 80 2 17,07	T 132M6	7,5
	56,7	17,1	639,7	1,4	P - 90 2 17,1	T 132M6	10,5
	56,7	25,4	640,1	2,5	P - 112 2 25,4	T 112A4	16,5
	56,3	25,4	644,6	2,5	P - 112 2 25,4	T 100BL4	16,5
	55,0	53,1	659,9	3,0	P - 125 2 53,1	T 100B2	21,0
	54,8	17,7	662,3	2,7	P - 112 2 17,7	T 132M6	16,5
	54,8	26,3	662,8	0,9	P - 80 2 26,3	T 112A4	7,5
	54,6	26,4	651,3	0,9	P L 65 3 26,4	T 112A4	8,0
	54,4	26,3	667,4	0,9	P - 80 2 26,3	T 100BL4	7,5
	54,2	26,4	655,7	0,9	P L 65 3 26,4	T 100BL4	8,0
	54,0	54,3	658,3	0,8	P L 65 3 54,3	T 112A2	8,0
	53,8	54,3	660,6	0,8	P L 65 3 54,3	T 100B2	8,0
	53,6	54,7	663,3	2,9	P L 95 3 54,7	T 112A2	16,0
	53,4	54,7	665,6	2,8	P L 95 3 54,7	T 100B2	16,0
	53,1	55,2	669,3	1,1	P - 90 3 55,2	T 112A2	7,5
	52,9	55,2	671,6	1,1	P - 90 3 55,2	T 100B2	7,5
	52,6	18,5	690,3	1,4	P - 80 2 18,45	T 132M6	7,5
	52,6	27,4	676,1	2,7	P L 95 3 27,4	T 112A4	16,0
	52,4	27,5	678,5	1,4	P L 85 3 27,5	T 112A4	11,0
	52,2	27,4	680,7	2,6	P L 95 3 27,4	T 100BL4	16,0
	52,0	56,3	682,7	1,6	P L 85 3 56,3	T 112A2	11,0
	52,0	27,5	683,2	1,4	P L 85 3 27,5	T 100BL4	11,0
	52,0	27,7	698,0	1,3	P - 90 2 27,7	T 112A4	10,5
	51,9	56,3	685,0	1,6	P L 85 3 56,3	T 100B2	11,0
	51,6	27,7	703,0	1,3	P - 90 2 27,7	T 100BL4	10,5
	51,0	57,5	712,1	2,8	P - 125 2 57,5	T 112A2	21,0
	50,8	57,5	714,7	2,8	P - 125 2 57,5	T 100B2	21,0
	50,7	28,4	715,1	0,8	P - 80 2 28,38	T 112A4	7,5
	50,4	28,4	720,3	0,8	P - 80 2 28,38	T 100BL4	7,5
	50,1	58,5	709,2	2,0	P - 112 3 58,5	T 112A2	11,8



4

E







HIGH TECH *line* Motion

P ₁ Input Power kW	n ₂ Output speed min ⁻¹	IR ratio -	T ₂ Output torque Nm	FS' Service Factor -			P _{tn} Thermal capacity kW
	49,9	58,5	711,8	2,0	P - 112 3 58.5	T 100B2	11,8
	49,8	19,5	729,2	0,9	P - 80 2 19.49	T 132M6	7,5
	49,5	29,1	733,4	2,4	P - 112 2 29.1	T 112A4	16,5
	49,1	29,1	738,5	2,4	P - 112 2 29.1	T 100BL4	16,5
	49,0	19,8	740,7	1,2	P - 90 2 19.8	T 132M6	10,5
	48,7	19,9	744,5	2,9	P - 125 2 19.9	T 132M6	21,0
	48,0	20,2	755,7	2,4	P - 112 2 20.2	T 132M6	16,5
	47,7	30,2	761,1	2,9	P - 125 2 30.2	T 112A4	21,0
	47,4	30,2	766,4	2,9	P - 125 2 30.2	T 100BL4	21,0
	47,3	20,5	767,9	0,9	P - 80 2 20.53	T 132M6	7,5
	47,2	30,5	768,7	1,2	P - 90 2 30.5	T 112A4	10,5
	47,0	62,3	755,5	1,0	P - 90 3 62.3	T 112A2	7,5
	46,9	30,5	774,0	1,2	P - 90 2 30.5	T 100BL4	10,5
	46,9	62,3	758,0	1,0	P - 90 3 62.3	T 100B2	7,5
	46,7	62,7	760,3	1,9	P - 112 3 62.7	T 112A2	11,8
	46,6	62,7	762,8	1,9	P - 112 3 62.7	T 100B2	11,8
	45,9	63,9	774,9	1,4	P L 85 3 63.9	T 112A2	11,0
	45,7	63,9	777,4	1,4	P L 85 3 63.9	T 100B2	11,0
	45,3	21,4	800,5	1,1	P - 90 2 21.4	T 132M6	10,5
	45,2	21,5	802,9	0,8	P - 80 2 21.46	T 132M6	7,5
	44,8	65,4	793,0	2,5	P L 95 3 65.4	T 112A2	16,0
	44,7	21,7	811,8	2,3	P - 112 2 21.7	T 132M6	16,5
	44,7	65,4	795,7	2,5	P L 95 3 65.4	T 100B2	16,0
	44,6	32,3	814,0	2,2	P - 112 2 32.3	T 112A4	16,5
	44,3	32,3	819,8	2,1	P - 112 2 32.3	T 100BL4	16,5
	43,8	32,9	811,7	2,6	P L 95 3 32.9	T 112A4	16,0
	43,5	32,9	817,3	2,6	P L 95 3 32.9	T 100BL4	16,0
	43,5	67,4	817,3	1,8	P - 112 3 67.4	T 112A2	11,8
	43,3	67,4	820,0	1,8	P - 112 3 67.4	T 100B2	11,8
	41,7	34,5	851,1	1,3	P L 85 3 34.5	T 112A4	11,0
	41,5	70,6	856,1	0,9	P - 90 3 70.6	T 112A2	7,5
	41,5	34,5	857,0	1,3	P L 85 3 34.5	T 100BL4	11,0
	41,4	70,6	859,1	0,9	P - 90 3 70.6	T 100B2	7,5
	41,1	35,0	882,2	1,0	P - 90 2 35	T 112A4	10,5
	41,1	23,6	864,4	2,0	P L 95 3 23.6	T 132M6	16,0
	40,9	35,0	888,2	1,0	P - 90 2 35	T 100BL4	10,5
	40,8	23,8	871,6	1,0	P L 85 3 23.8	T 132M6	11,0
	40,4	72,6	880,3	1,7	P - 112 3 72.6	T 112A2	11,8
	40,2	72,6	883,3	1,7	P - 112 3 72.6	T 100B2	11,8
	39,6	74,0	897,4	1,2	P L 85 3 74	T 112A2	11,0
	39,5	74,2	899,6	2,3	P L 95 3 74.2	T 112A2	16,0
	39,5	74,0	900,4	1,2	P L 85 3 74	T 100B2	11,0
	39,4	74,2	902,8	2,3	P L 95 3 74.2	T 100B2	16,0
	38,8	25,0	935,2	1,0	P - 90 2 25	T 132M6	10,5
	38,7	25,1	938,9	2,4	P - 125 2 25.1	T 132M6	21,0
	38,4	76,3	925,1	0,9	P - 90 3 76.3	T 112A2	7,5
	38,3	76,3	928,3	0,9	P - 90 3 76.3	T 100B2	7,5
	38,2	25,4	950,3	1,8	P - 112 2 25.4	T 132M6	16,5
	37,7	38,2	962,6	2,4	P - 125 2 38.2	T 112A4	21,0
	37,4	38,2	969,5	2,4	P - 125 2 38.2	T 100BL4	21,0
	37,4	38,5	960,1	2,9	P L 105 3 38.5	T 112A4	22,0
	37,3	78,5	951,9	1,6	P - 112 3 78.5	T 112A2	11,8
	37,2	38,7	954,7	1,3	P L 85 3 38.7	T 112A4	11,0
	37,2	38,7	954,6	1,0	P - 90 3 38.7	T 112A4	7,5
	37,2	78,5	955,0	1,6	P - 112 3 78.5	T 100B2	11,8
	37,1	38,5	966,9	2,9	P L 105 3 38.5	T 100BL4	22,0
	37,0	38,9	980,3	1,8	P - 112 2 38.9	T 112A4	16,5
	37,0	38,7	961,5	1,2	P L 85 3 38.7	T 100BL4	11,0
	37,0	38,7	961,4	0,9	P - 90 3 38.7	T 100BL4	7,5
	36,8	38,9	987,2	1,8	P - 112 2 38.9	T 100BL4	16,5
	36,7	79,8	977,9	2,8	P L 105 3 79.8	T 112A2	22,0
	36,6	79,8	981,4	2,8	P L 105 3 79.8	T 100B2	22,0
	35,6	40,5	999,0	2,1	P L 95 3 40.5	T 112A4	16,0
	35,4	27,4	1003,6	2,0	P L 95 3 27.4	T 132M6	16,0
	35,4	40,7	1025,8	1,7	P - 112 2 40.7	T 112A4	16,5
	35,3	40,5	1006,1	2,1	P L 95 3 40.5	T 100BL4	16,0
	35,3	27,5	1007,3	1,0	P L 85 3 27.5	T 132M6	11,0
	35,2	40,9	1030,9	2,9	P - 132 2 40.91	T 112A4	30,0
	35,1	40,7	1032,8	1,7	P - 112 2 40.7	T 100BL4	16,5
	35,0	27,7	1036,3	0,9	P - 90 2 27.7	T 132M6	10,5
	35,0	40,9	1038,3	2,9	P - 132 2 40.91	T 100BL4	30,0
	34,5	84,9	1029,6	1,0	P L 85 3 84.9	T 112A2	11,0
	34,4	84,9	1033,0	1,0	P L 85 3 84.9	T 100B2	11,0
	34,1	86,0	1042,7	2,0	P L 95 3 86	T 112A2	16,0
	34,0	86,0	1046,5	2,0	P L 95 3 86	T 100B2	16,0
	33,9	28,6	1058,6	2,7	P L 105 3 28.6	T 132M6	22,0
	33,6	87,3	1058,6	1,4	P - 112 3 87.3	T 112A2	11,8
	33,5	87,4	1071,2	2,6	P L 105 3 87.4	T 112A2	22,0
	33,5	87,3	1062,1	1,4	P - 112 3 87.3	T 100B2	11,8
	33,4	87,4	1074,7	2,6	P L 105 3 87.4	T 100B2	22,0
	33,3	29,1	1088,9	1,7	P - 112 2 29.1	T 132M6	16,5
	33,0	43,7	1078,2	1,1	P L 85 3 43.7	T 112A4	11,0
	33,0	43,7	1078,2	0,8	P - 90 3 43.7	T 112A4	7,5
	32,7	43,7	1085,7	1,1	P L 85 3 43.7	T 100BL4	11,0
	32,7	43,7	1085,9	0,8	P - 90 3 43.7	T 100BL4	7,5
	32,5	44,3	1116,3	2,0	P - 125 2 44.3	T 112A4	21,0
	32,3	90,6	1110,4	2,6	P L 105 3 90.6	T 112A2	22,0
	32,3	44,3	1124,2	2,0	P - 125 2 44.3	T 100BL4	21,0
	32,2	90,6	1114,1	2,6	P L 105 3 90.6	T 100B2	22,0
	32,2	44,7	1126,7	1,6	P - 112 2 44.7	T 112A4	16,5
	32,1	30,2	1129,9	2,1	P - 125 2 30.2	T 132M6	21,0
	32,1	44,9	1119,7	2,5	P L 105 3 44.9	T 112A4	22,0
	32,0	44,7	1134,3	1,5	P - 112 2 44.7	T 100BL4	16,5
	31,9	44,9	1127,4	2,5	P L 105 3 44.9	T 100BL4	22,0
	31,8	30,5	1141,1	0,8	P - 90 2 30.5	T 132M6	10,5

4



P ₁ Input Power kW	n ₂ Output speed min ⁻¹	IR ratio -	T2 Ouput torque Nm	FS' Service Factor -	 GEAR	 EU	P _{tn} Thermal capacity kW
	31,3	93,6	1135,1	1,3	P - 112 3 93,6	T 112A2	11,8
	31,2	93,6	1138,7	1,3	P - 112 3 93,6	T 100B2	11,8
	31,0	31,3	1158,7	2,6	P L 105 3 31,3	T 132M6	22,0
	30,7	46,9	1157,2	1,8	P L 95 3 46,9	T 112A4	16,0
	30,5	46,9	1165,2	1,8	P L 95 3 46,9	T 100BL4	16,0
	30,2	32,1	1202,1	2,9	P - 132 2 32,13	T 132M6	30,0
	30,0	32,3	1208,4	1,5	P - 112 2 32,3	T 132M6	16,5
	29,9	98,0	1188,1	0,9	P L 85 3 98	T 112A2	11,0
	29,8	98,0	1192,1	0,9	P L 85 3 98	T 100B2	11,0
	29,8	98,4	1193,0	1,8	P L 95 3 98,4	T 112A2	16,0
	29,7	98,4	1197,4	1,8	P L 95 3 98,4	T 100B2	16,0
	29,5	32,9	1205,1	1,9	P L 95 3 32,9	T 132M6	16,0
	29,5	48,9	1232,2	1,4	P - 112 2 48,9	T 112A4	16,5
	29,2	48,9	1241,1	1,4	P - 112 2 48,9	T 100BL4	16,5
	29,2	100,4	1230,6	2,4	P L 105 3 100,4	T 112A2	22,0
	29,1	100,4	1234,8	2,4	P L 105 3 100,4	T 100B2	22,0
	28,9	33,6	1255,3	2,4	P - 132 2 33,55	T 132M6	30,0
	28,4	50,7	1264,4	2,2	P L 105 3 50,7	T 112A4	22,0
	28,2	50,7	1272,9	2,2	P L 105 3 50,7	T 100BL4	22,0
	28,1	51,2	1263,5	1,3	P - 112 3 51,2	T 112A4	11,8
	28,1	34,5	1263,4	0,9	P L 85 3 34,5	T 132M6	11,0
	27,9	51,2	1272,0	1,3	P - 112 3 51,2	T 100BL4	11,8
	27,6	35,2	1302,9	2,3	P L 105 3 35,2	T 132M6	22,0
	27,1	53,1	1338,2	1,6	P - 125 2 53,1	T 112A4	21,0
	27,0	108,4	1314,3	1,1	P - 112 3 108,4	T 112A2	11,8
	26,9	108,4	1318,7	1,1	P - 112 3 108,4	T 100B2	11,8
	26,9	53,1	1347,6	1,6	P - 125 2 53,1	T 100BL4	21,0
	26,5	110,5	1354,0	2,2	P L 105 3 110,5	T 112A2	22,0
	26,4	110,5	1358,6	2,2	P L 105 3 110,5	T 100B2	22,0
	26,3	54,7	1349,2	1,6	P L 95 3 54,7	T 112A4	16,0
	26,3	36,9	1381,4	2,4	P - 132 2 36,92	T 132M6	30,0
	26,2	55,0	1371,6	2,1	P L 105 3 55	T 112A4	22,0
	26,1	54,7	1359,0	1,5	P L 95 3 54,7	T 100BL4	16,0
	26,0	55,0	1381,1	2,1	P L 105 3 55	T 100BL4	22,0
	25,6	56,3	1388,9	0,9	P L 85 3 56,3	T 112A4	11,0
	25,4	56,3	1398,6	0,9	P L 85 3 56,3	T 100BL4	11,0
	25,4	38,2	1429,2	1,8	P - 125 2 38,2	T 132M6	21,0
	25,3	116,0	1406,3	1,5	P L 95 3 116	T 112A2	16,0
	25,2	38,5	1425,4	2,1	P L 105 3 38,5	T 132M6	22,0
	25,2	116,0	1411,5	1,5	P L 95 3 116	T 100B2	16,0
	25,1	38,7	1417,7	0,9	P L 85 3 38,7	T 132M6	11,0
	25,0	57,5	1449,3	1,5	P - 125 2 57,5	T 112A4	21,0
	25,0	117,2	1421,1	1,1	P - 112 3 117,2	T 112A2	11,8
	24,9	38,9	1455,0	1,3	P - 112 2 38,9	T 132M6	16,5
	24,9	117,2	1426,2	1,1	P - 112 3 117,2	T 100B2	11,8
	24,9	57,5	1459,1	1,5	P - 125 2 57,5	T 100BL4	21,0
	24,6	58,5	1443,0	1,2	P - 112 3 58,5	T 112A4	11,8
	24,4	58,5	1453,5	1,2	P - 112 3 58,5	T 100BL4	11,8
	24,0	40,5	1483,4	1,5	P L 95 3 40,5	T 132M6	16,0
	23,8	40,7	1522,8	1,2	P - 112 2 40,7	T 132M6	16,5
	23,7	40,9	1530,6	2,1	P - 132 2 40,91	T 132M6	30,0
	23,2	126,1	1545,1	2,0	P L 105 3 126,1	T 112A2	22,0
	23,2	126,1	1550,3	2,0	P L 105 3 126,1	T 100B2	22,0
	23,0	62,7	1563,3	1,9	P L 105 3 62,7	T 112A4	22,0
	23,0	62,7	1546,6	1,1	P - 112 3 62,7	T 112A4	11,8
	22,8	128,3	1555,6	1,0	P - 112 3 128,3	T 112A2	11,8
	22,8	62,7	1574,2	1,8	P L 105 3 62,7	T 100BL4	22,0
	22,8	62,7	1557,6	1,1	P - 112 3 62,7	T 100BL4	11,8
	22,8	128,3	1560,9	1,0	P - 112 3 128,3	T 100B2	11,8
	22,7	42,8	1601,4	2,9	P - 150 2 42,8	T 132M6	38,0
	22,3	64,1	1609,5	3,0	P L 115 3 64,1	T 100BL4	26,0
	22,2	43,7	1600,5	0,8	P L 85 3 43,7	T 132M6	11,0
	22,0	65,4	1613,5	1,4	P L 95 3 65,4	T 112A4	16,0
	21,9	44,3	1657,0	1,4	P - 125 2 44,3	T 132M6	21,0
	21,9	65,4	1624,5	1,4	P L 95 3 65,4	T 100BL4	16,0
	21,8	134,4	1629,5	1,3	P L 95 3 134,4	T 112A2	16,0
	21,7	134,4	1634,9	1,3	P L 95 3 134,4	T 100B2	16,0
	21,7	44,7	1672,5	1,1	P - 112 2 44,7	T 132M6	16,5
	21,6	44,9	1662,5	1,8	P L 105 3 44,9	T 132M6	22,0
	21,6	135,8	1663,9	2,7	P L 115 3 135,8	T 112A2	26,0
	21,5	135,8	1670,1	2,7	P L 115 3 135,8	T 100B2	26,0
	21,4	67,4	1663,1	1,1	P - 112 3 67,4	T 112A4	11,8
	21,2	67,4	1674,2	1,0	P - 112 3 67,4	T 100BL4	11,8
	20,9	139,9	1714,8	1,8	P L 105 3 139,9	T 112A2	22,0
	20,9	139,9	1720,6	1,8	P L 105 3 139,9	T 100B2	22,0
	20,7	46,9	1717,9	1,3	P L 95 3 46,9	T 132M6	16,0
	20,5	47,3	1769,3	2,5	P - 150 2 47,3	T 132M6	38,0
	20,4	70,7	1762,9	1,6	P L 105 3 70,7	T 112A4	22,0
	20,2	70,7	1775,1	1,6	P L 105 3 70,7	T 100BL4	22,0
	19,8	48,9	1829,0	1,0	P - 112 2 48,9	T 132M6	16,5
	19,8	72,6	1791,7	1,0	P - 112 3 72,6	T 112A4	11,8
	19,8	148,0	1794,3	0,8	P - 112 3 148	T 112A2	11,8
	19,8	148,2	1816,3	2,5	P L 115 3 148,2	T 112A2	26,0
	19,7	148,0	1800,7	0,8	P - 112 3 148	T 100B2	11,8
	19,7	148,2	1822,8	2,5	P L 115 3 148,2	T 100B2	26,0
	19,7	72,6	1803,2	1,0	P - 112 3 72,6	T 100BL4	11,8
	19,5	49,7	1839,5	2,8	P L 115 3 49,7	T 132M6	26,0
	19,5	73,8	1840,4	2,7	P L 115 3 73,8	T 112A4	26,0
	19,4	74,2	1830,3	1,3	P L 95 3 74,2	T 112A4	16,0
	19,4	73,8	1852,9	2,7	P L 115 3 73,8	T 100BL4	26,0
	19,3	151,5	1777,8	1,8	P E 125 151,48	T 112A2	10,5
	19,3	151,5	1783,2	1,8	P E 125 151,48	T 100B2	10,5
	19,3	74,2	1843,7	1,3	P L 95 3 74,2	T 100BL4	16,0
	19,1	50,7	1877,2	1,6	P L 105 3 50,7	T 132M6	22,0
	19,0	153,9	1885,8	1,6	P L 105 3 153,9	T 112A2	22,0

4







HIGH TECH *line* Motion

P ₁ Input Power kW	n ₂ Output speed min ⁻¹	IR ratio -	T ₂ Output torque Nm	FS' Service Factor -	 GEAR	 EU	P _{tn} Thermal capacity kW
-------------------------------------	---	------------------	---------------------------------------	----------------------------	---	---	---

19,0	153,9	1893,0	1,6	P L 105 3 153,9	T 100B2	22,0
18,5	158,6	1860,5	1,9	P E 132 158,6	T 112A2	12,0
18,4	158,9	1926,6	1,1	P L 95 3 158,9	T 112A2	16,0
18,4	158,6	1866,4	1,9	P E 132 158,6	T 100B2	12,0
18,4	158,9	1932,8	1,1	P L 95 3 158,9	T 100B2	16,0
18,3	78,5	1936,9	0,9	P - 112 3 78,5	T 112A4	11,8
18,3	53,1	1986,4	1,2	P - 125 2 53,1	T 132M6	21,0
18,2	78,5	1949,9	0,9	P - 112 3 78,5	T 100BL4	11,8
18,1	79,8	1989,4	1,5	P L 105 3 79,8	T 112A4	22,0
18,0	163,1	1999,3	2,3	P L 115 3 163,1	T 112A2	26,0
17,9	79,8	2003,7	1,5	P L 105 3 79,8	T 100BL4	22,0
17,9	163,1	2006,0	2,2	P L 115 3 163,1	T 100B2	26,0
17,9	54,3	2010,5	2,7	P L 115 3 54,3	T 132M6	26,0
17,7	54,7	2003,5	1,1	P L 95 3 54,7	T 132M6	16,0
17,7	81,3	2027,6	2,5	P L 115 3 81,3	T 112A4	26,0
17,6	55,0	2035,4	1,6	P L 105 3 55	T 132M6	22,0
17,6	81,3	2041,4	2,4	P L 115 3 81,3	T 100BL4	26,0
17,3	169,2	2073,1	1,5	P L 105 3 169,2	T 112A2	22,0
17,3	169,2	2080,6	1,5	P L 105 3 169,2	T 100B2	22,0
16,9	173,5	2035,5	1,7	P E 132 173,5	T 112A2	12,0
16,9	57,5	2150,9	1,1	P - 125 2 57,5	T 132M6	21,0
16,8	173,5	2042,9	1,7	P E 132 173,5	T 100B2	12,0
16,7	86,0	2122,0	1,1	P L 95 3 86	T 112A4	16,0
16,6	86,0	2136,2	1,1	P L 95 3 86	T 100BL4	16,0
16,5	87,2	2174,9	2,3	P L 115 3 87,2	T 112A4	26,0
16,5	87,3	2154,5	0,8	P - 112 3 87,3	T 112A4	11,8
16,5	87,4	2178,9	1,4	P L 105 3 87,4	T 112A4	22,0
16,4	87,2	2189,5	2,2	P L 115 3 87,2	T 100BL4	26,0
16,4	87,3	2169,2	0,8	P - 112 3 87,3	T 100BL4	11,8
16,4	87,4	2194,7	1,4	P L 105 3 87,4	T 100BL4	22,0
16,3	59,7	2209,6	2,5	P L 115 3 59,7	T 132M6	26,0
15,9	90,6	2259,9	1,4	P L 105 3 90,6	T 112A4	22,0
15,8	185,2	2269,9	1,4	P L 105 3 185,2	T 112A2	22,0
15,8	185,6	2178,7	1,5	P E 125 185,6	T 112A2	10,5
15,8	90,6	2275,6	1,4	P L 105 3 90,6	T 100BL4	22,0
15,8	185,2	2276,8	1,4	P L 105 3 185,2	T 100B2	22,0
15,7	185,6	2185,8	1,5	P E 125 185,6	T 100B2	10,5
15,7	187,1	2268,4	0,9	P L 95 3 187,1	T 112A2	16,0
15,6	187,1	2275,8	0,9	P L 95 3 187,1	T 100B2	16,0
15,5	189,1	2318,2	2,9	P L 125 3 189,1	T 112A2	33,0
15,5	62,7	2321,2	1,4	P L 105 3 62,7	T 132M6	22,0
15,4	189,1	2325,6	2,9	P L 125 3 189,1	T 100B2	33,0
15,4	190,3	2331,6	1,9	P L 115 3 190,3	T 112A2	26,0
15,3	190,3	2340,7	1,9	P L 115 3 190,3	T 100B2	26,0
15,3	191,0	2241,1	1,6	P E 132 190,95	T 112A2	12,0
15,3	191,0	2248,6	1,6	P E 132 190,95	T 100B2	12,0
15,1	64,1	2373,2	2,2	P L 115 3 64,1	T 132M6	26,0
14,8	65,4	2395,4	1,0	P L 95 3 65,4	T 132M6	16,0
14,7	199,5	2418,7	0,9	P L 95 3 199,5	T 112A2	16,0
14,6	199,5	2426,3	0,9	P L 95 3 199,5	T 100B2	16,0
14,6	98,4	2428,5	1,0	P L 95 3 98,4	T 112A4	16,0
14,5	98,4	2445,2	1,0	P L 95 3 98,4	T 100BL4	16,0
14,3	100,4	2504,3	1,3	P L 105 3 100,4	T 112A4	22,0
14,2	100,4	2521,5	1,3	P L 105 3 100,4	T 100BL4	22,0
13,9	210,3	2577,7	1,7	P L 115 3 210,3	T 112A2	26,0
13,9	210,3	2587,0	1,7	P L 115 3 210,3	T 100B2	26,0
13,9	103,9	2590,9	1,9	P L 115 3 103,9	T 112A4	26,0
13,8	212,6	2495,1	1,4	P E 132 212,6	T 112A2	12,0
13,8	103,9	2609,5	1,9	P L 115 3 103,9	T 100BL4	26,0
13,7	212,6	2504,0	1,4	P E 132 212,6	T 100B2	12,0
13,7	70,7	2616,9	1,2	P L 105 3 70,7	T 132M6	22,0
13,6	106,2	2648,1	2,8	P L 125 3 106,2	T 112A4	33,0
13,5	216,6	2540,9	2,1	P E 150 216,6	T 112A2	16,0
13,5	216,6	2550,5	2,1	P E 150 216,6	T 100B2	16,0
13,5	106,2	2665,7	2,8	P L 125 3 106,2	T 100BL4	33,0
13,1	73,8	2732,6	2,0	P L 115 3 73,8	T 132M6	26,0
13,1	74,2	2718,0	0,9	P L 95 3 74,2	T 132M6	16,0
13,0	110,5	2755,7	1,2	P L 105 3 110,5	T 112A4	22,0
12,9	110,5	2774,9	1,2	P L 105 3 110,5	T 100BL4	22,0
12,9	227,3	2667,2	1,2	P E 125 227,28	T 112A2	10,5
12,9	227,3	2675,6	1,2	P E 125 227,28	T 100B2	10,5
12,8	75,7	2803,2	2,9	P L 125 3 75,7	T 132M6	33,0
12,8	229,4	2812,1	1,6	P L 115 3 229,4	T 112A2	26,0
12,7	229,4	2820,9	1,6	P L 115 3 229,4	T 100B2	26,0
12,6	114,3	2849,8	1,8	P L 115 3 114,3	T 112A4	26,0
12,5	234,0	2746,2	1,3	P E 132 234	T 112A2	12,0
12,5	114,3	2870,3	1,7	P L 115 3 114,3	T 100BL4	26,0
12,5	234,0	2754,8	1,3	P E 132 234	T 100B2	12,0
12,4	116,0	2863,1	0,8	P L 95 3 116	T 112A4	16,0
12,4	116,3	2900,5	2,6	P L 125 3 116,3	T 112A4	33,0
12,3	116,0	2881,2	0,8	P L 95 3 116	T 100BL4	16,0
12,3	116,3	2919,4	2,6	P L 125 3 116,3	T 100BL4	33,0
12,2	79,8	2953,2	1,1	P L 105 3 79,8	T 132M6	22,0
12,0	81,0	2997,3	2,7	P L 125 3 81	T 132M6	33,0
11,9	81,3	3009,8	1,8	P L 115 3 81,3	T 132M6	26,0
11,9	121,2	3022,5	1,7	P L 115 3 121,2	T 112A4	26,0
11,9	246,9	2896,5	2,8	P E 170 246,94	T 112A2	21,0
11,8	246,9	2908,7	2,8	P E 170 246,94	T 100B2	21,0
11,8	121,2	3043,2	1,6	P L 115 3 121,2	T 100BL4	26,0
11,7	251,2	2945,9	1,1	P E 125 251,17	T 112A2	10,5
11,6	251,2	2956,1	1,1	P E 125 251,17	T 100B2	10,5
11,4	126,1	3144,5	1,1	P L 105 3 126,1	T 112A4	22,0
11,3	126,1	3166,5	1,1	P L 105 3 126,1	T 100BL4	22,0
11,3	127,9	3189,1	2,4	P L 125 3 127,9	T 112A4	33,0
11,3	260,3	3056,1	1,1	P E 132 260,34	T 112A2	12,0



P ₁ Input Power kW	n ₂ Output speed min ⁻¹	IR ratio -	T2 Ouput torque Nm	FS' Service Factor -	 GEAR	 EU	P _{tn} Thermal capacity kW
	11,2	260,3	3064,1	1,1	P E 132 260,34	T 100B2	12,0
	11,2	127,9	3211,6	2,3	P L 125 3 127,9	T 100BL4	33,0
	11,1	87,2	3229,0	1,7	P L 115 3 87,2	T 132M6	26,0
	11,1	87,4	3235,3	1,0	P L 105 3 87,4	T 132M6	22,0
	11,0	265,4	3114,2	1,7	P E 150 265,44	T 112A2	16,0
	11,0	265,4	3125,5	1,7	P E 150 265,44	T 100B2	16,0
	11,0	88,3	3267,5	2,5	P L 125 3 88,3	T 132M6	33,0
	11,0	267,7	3279,3	1,4	P L 115 3 267,7	T 112A2	26,0
	10,9	267,7	3291,3	1,4	P L 115 3 267,7	T 100B2	26,0
	10,9	268,8	3154,2	2,6	P E 170 268,78	T 112A2	21,0
	10,9	268,8	3165,6	2,6	P E 170 268,78	T 100B2	21,0
	10,7	90,6	3352,4	1,0	P L 105 3 90,6	T 132M6	22,0
	10,7	273,5	3210,3	0,9	P E 125 273,48	T 112A2	10,5
	10,7	273,5	3218,9	0,9	P E 125 273,48	T 100B2	10,5
	10,6	135,8	3387,5	1,5	P L 115 3 135,8	T 112A4	26,0
	10,5	135,8	3410,1	1,5	P L 115 3 135,8	T 100BL4	26,0
	10,4	280,9	3296,2	1,6	P E 150 280,94	T 112A2	16,0
	10,4	280,9	3308,8	1,6	P E 150 280,94	T 100B2	16,0
	10,3	139,9	3489,9	1,0	P L 105 3 139,9	T 112A4	22,0
	10,2	286,5	3360,5	1,0	P E 132 286,51	T 112A2	12,0
	10,2	139,9	3513,3	1,0	P L 105 3 139,9	T 100BL4	22,0
	10,2	286,5	3373,5	1,0	P E 132 286,51	T 100B2	12,0
	10,2	141,7	3534,4	2,1	P L 125 3 141,7	T 112A4	33,0
	10,1	290,0	3555,2	1,3	P L 115 3 290	T 112A2	26,0
	10,1	141,7	3558,7	2,1	P L 125 3 141,7	T 100BL4	33,0
	10,1	290,0	3565,8	1,3	P L 115 3 290	T 100B2	26,0
	9,9	97,6	3612,5	2,3	P L 125 3 97,6	T 132M6	33,0
	9,7	148,2	3694,1	1,4	P L 115 3 148,2	T 112A4	26,0
	9,7	302,0	3544,5	2,3	P E 170 301,96	T 112A2	21,0
	9,7	302,0	3555,4	2,3	P E 170 301,96	T 100B2	21,0
	9,7	100,4	3717,5	1,0	P L 105 3 100,4	T 132M6	22,0
	9,7	148,2	3720,9	1,3	P L 115 3 148,2	T 100BL4	26,0
	9,5	307,7	3611,7	0,9	P E 125 307,71	T 112A2	10,5
	9,5	151,5	3614,8	1,0	P E 125 151,48	T 112A4	10,5
	9,5	307,7	3623,0	0,9	P E 125 307,71	T 100B2	10,5
	9,4	310,5	3641,9	1,5	P E 150 310,47	T 112A2	16,0
	9,4	151,5	3642,0	1,0	P E 125 151,48	T 100BL4	10,5
	9,4	310,5	3653,6	1,5	P E 150 310,47	T 100B2	16,0
	9,4	153,9	3836,5	0,9	P L 105 3 153,9	T 112A4	22,0
	9,3	103,9	3844,4	1,4	P L 115 3 103,9	T 132M6	26,0
	9,3	153,9	3865,5	0,9	P L 105 3 153,9	T 100BL4	22,0
	9,3	155,1	3869,5	1,9	P L 125 3 155,1	T 112A4	33,0
	9,3	316,6	3716,5	0,9	P E 132 316,62	T 112A2	12,0
	9,2	155,1	3894,6	1,9	P L 125 3 155,1	T 100BL4	33,0
	9,2	316,6	3728,4	0,9	P E 132 316,62	T 100B2	12,0
	9,1	106,2	3933,1	2,1	P L 125 3 106,2	T 132M6	33,0
	9,1	158,6	3786,1	1,1	P E 132 158,56	T 112A4	12,0
	9,0	325,0	3811,5	1,4	P E 150 325	T 112A2	16,0
	9,0	158,6	3811,3	1,1	P E 132 158,56	T 100BL4	12,0
	9,0	325,0	3828,4	1,4	P E 150 325	T 100B2	16,0
	8,9	329,4	3867,2	3,0	P E 190 329,43	T 112A2	27,0
	8,9	329,4	3880,2	3,0	P E 190 329,43	T 100B2	27,0
	8,9	330,6	3880,2	2,1	P E 170 330,6	T 112A2	21,0
	8,8	330,6	3893,8	2,1	P E 170 330,6	T 100B2	21,0
	8,8	163,1	4066,7	1,2	P L 115 3 163,1	T 112A4	26,0
	8,8	110,1	4075,9	2,8	P L 135 3 110,1	T 132M6	40,0
	8,8	110,5	4089,9	0,9	P L 105 3 110,5	T 132M6	22,0
	8,8	163,1	4094,2	1,2	P L 115 3 163,1	T 100BL4	26,0
	8,5	169,2	4219,4	0,8	P L 105 3 169,2	T 112A4	22,0
	8,5	114,3	4229,2	1,3	P L 115 3 114,3	T 132M6	26,0
	8,5	169,2	4248,9	0,8	P L 105 3 169,2	T 100BL4	22,0
	8,4	347,4	4073,3	2,8	P E 190 347,35	T 112A2	27,0
	8,4	170,7	4254,7	1,8	P L 125 3 170,7	T 112A4	33,0
	8,4	347,4	4088,2	2,8	P E 190 347,35	T 100B2	27,0
	8,4	170,7	4285,1	1,8	P L 125 3 170,7	T 100BL4	33,0
	8,3	116,3	4305,8	1,9	P L 125 3 116,3	T 132M6	33,0
	8,3	352,5	4137,1	0,8	P E 132 352,46	T 112A2	12,0
	8,3	173,5	4141,9	1,0	P E 132 173,51	T 112A4	12,0
	8,3	352,5	4151,8	0,8	P E 132 352,46	T 100B2	12,0
	8,2	173,5	4172,1	1,0	P E 132 173,51	T 100BL4	12,0
	8,2	357,1	4192,9	2,7	P E 190 357,1	T 112A2	27,0
	8,2	357,1	4192,5	1,9	P E 170 357,1	T 112A2	21,0
	8,2	357,1	4202,8	2,7	P E 190 357,1	T 100B2	27,0
	8,2	357,1	4202,9	1,9	P E 170 357,1	T 100B2	21,0
	8,2	359,2	4213,0	1,3	P E 150 359,17	T 112A2	16,0
	8,1	359,2	4228,7	1,3	P E 150 359,17	T 100B2	16,0
	8,0	121,2	4488,0	1,2	P L 115 3 121,2	T 132M6	26,0
	8,0	121,8	4510,9	2,5	P L 135 3 121,8	T 132M6	40,0
	7,9	182,2	4352,0	2,9	P E 190 182,17	T 112A4	27,0
	7,9	182,2	4379,4	2,9	P E 190 182,17	T 100BL4	27,0
	7,8	377,5	4430,5	1,8	P E 170 377,45	T 112A2	21,0
	7,7	377,5	4442,0	1,8	P E 170 377,45	T 100B2	21,0
	7,7	380,8	4471,1	1,2	P E 150 380,82	T 112A2	16,0
	7,7	380,8	4482,3	1,2	P E 150 380,82	T 100B2	16,0
	7,6	189,1	4712,5	1,6	P L 125 3 189,1	T 112A4	33,0
	7,6	127,9	4737,2	1,7	P L 125 3 127,9	T 132M6	33,0
	7,6	190,3	4743,8	1,1	P L 115 3 190,3	T 112A4	26,0
	7,6	189,1	4749,8	1,6	P L 125 3 189,1	T 100BL4	33,0
	7,5	191,0	4559,7	0,9	P E 132 190,95	T 112A4	12,0
	7,5	388,9	4565,8	2,5	P E 190 388,88	T 112A2	27,0
	7,5	388,9	4578,0	2,5	P E 190 388,88	T 100B2	27,0
	7,5	190,3	4781,3	1,0	P L 115 3 190,3	T 100BL4	26,0
	7,5	191,0	4589,8	0,9	P E 132 190,95	T 100BL4	12,0
	7,2	134,1	4966,6	2,3	P L 135 3 134,1	T 132M6	40,0
	7,2	409,3	4801,4	1,7	P E 170 409,33	T 112A2	21,0

4



E



HIGH TECH *line* Motion

P ₁ Input Power kW	n ₂ Output speed min ⁻¹	IR ratio -	T ₂ Output torque Nm	FS' Service Factor -	 GEAR	 EU	P _{tn} Thermal capacity kW
	7,1	135,8	5029,1	1,1	P L 115 3 135,8	T 132M6	26,0
	7,1	409,3	4822,1	1,7	P E 170 409,33	T 100B2	21,0
	7,0	420,9	4939,4	1,1	P E 150 420,86	T 112A2	16,0
	6,9	420,9	4954,1	1,1	P E 150 420,86	T 100B2	16,0
	6,9	140,1	5189,2	2,2	P L 135 3 140,1	T 132M6	40,0
	6,9	425,6	4989,7	2,3	P E 190 425,55	T 112A2	27,0
	6,9	425,6	5011,4	2,3	P E 190 425,55	T 100B2	27,0
	6,9	141,7	5242,0	1,6	P L 125 3 141,7	T 132M6	33,0
	6,9	210,3	5242,5	1,0	P L 115 3 210,3	T 112A4	26,0
	6,8	210,7	5033,7	2,5	P E 190 210,74	T 112A4	27,0
	6,8	210,3	5281,2	0,9	P L 115 3 210,3	T 100BL4	26,0
	6,8	210,7	5063,3	2,5	P E 190 210,74	T 100BL4	27,0
	6,7	215,0	5131,1	1,8	P E 170 215,02	T 112A4	21,0
	6,7	215,0	5170,2	1,7	P E 170 215,02	T 100BL4	21,0
	6,7	216,6	5170,2	1,2	P E 150 216,61	T 112A4	16,0
	6,6	216,6	5209,5	1,2	P E 150 216,61	T 100BL4	16,0
	6,6	445,6	5225,0	1,6	P E 170 445,6	T 112A2	21,0
	6,6	445,6	5248,7	1,5	P E 170 445,6	T 100B2	21,0
	6,6	148,2	5482,4	1,0	P L 115 3 148,2	T 132M6	26,0
	6,5	448,2	5257,1	2,2	P E 190 448,15	T 112A2	27,0
	6,5	448,2	5272,8	2,2	P E 190 448,15	T 100B2	27,0
	6,4	458,3	5379,8	1,0	P E 150 458,31	T 112A2	16,0
	6,4	458,3	5397,3	1,0	P E 150 458,31	T 100B2	16,0
	6,3	153,3	5672,5	2,0	P L 135 3 153,3	T 132M6	40,0
	6,3	229,4	5717,6	0,9	P L 115 3 229,4	T 112A4	26,0
	6,3	155,1	5745,3	1,4	P L 125 3 155,1	T 132M6	33,0
	6,2	229,4	5763,7	0,9	P L 115 3 229,4	T 100BL4	26,0
	6,1	483,2	5673,4	2,0	P E 190 483,23	T 112A2	27,0
	6,1	483,2	5673,3	1,4	P E 170 483,23	T 112A2	21,0
	6,0	483,2	5692,4	2,0	P E 190 483,23	T 100B2	27,0
	6,0	483,2	5692,2	1,4	P E 170 483,23	T 100B2	21,0
	6,0	163,1	6035,5	0,9	P L 115 3 163,1	T 132M6	26,0
	5,8	501,5	5887,2	0,9	P E 150 501,52	T 112A2	16,0
	5,8	246,9	5896,9	2,1	P E 190 246,94	T 112A4	27,0
	5,8	246,9	5896,8	1,5	P E 170 246,94	T 112A4	21,0
	5,8	501,5	5906,5	0,9	P E 150 501,52	T 100B2	16,0
	5,8	246,9	5937,5	2,1	P E 190 246,94	T 100BL4	27,0
	5,8	246,9	5937,7	1,5	P E 170 246,94	T 100BL4	21,0
	5,8	168,7	6245,0	1,8	P L 135 3 168,7	T 132M6	40,0
	5,7	170,7	6322,4	1,3	P L 125 3 170,7	T 132M6	33,0
	5,6	520,0	6106,3	1,3	P E 170 520,04	T 112A2	21,0
	5,6	520,0	6128,2	1,3	P E 170 520,04	T 100B2	21,0
	5,6	526,2	6172,0	1,9	P E 190 526,24	T 112A2	27,0
	5,6	526,2	6194,5	1,9	P E 190 526,24	T 100B2	27,0
	5,4	265,4	6342,5	0,9	P E 150 265,44	T 112A4	16,0
	5,4	265,4	6377,9	0,9	P E 150 265,44	T 100BL4	16,0
	5,4	268,8	6413,7	1,4	P E 170 268,78	T 112A4	21,0
	5,4	268,9	6425,9	1,9	P E 190 268,91	T 112A4	27,0
	5,3	549,0	6438,2	0,8	P E 150 548,95	T 112A2	16,0
	5,3	268,9	6462,5	1,9	P E 190 268,91	T 100BL4	27,0
	5,3	182,2	6462,5	1,9	P E 190 182,17	T 132M6	27,0
	5,3	268,8	6462,0	1,4	P E 170 268,78	T 100BL4	21,0
	5,3	549,0	6463,2	0,8	P E 150 548,95	T 100B2	16,0
	5,3	183,7	6800,3	1,7	P L 135 3 183,7	T 132M6	40,0
	5,2	559,2	6561,4	1,2	P E 170 559,19	T 112A2	21,0
	5,2	559,2	6586,7	1,2	P E 170 559,19	T 100B2	21,0
	5,1	189,1	6999,8	1,2	P L 125 3 189,1	T 132M6	33,0
	5,1	280,9	6702,0	0,9	P E 150 280,94	T 112A4	16,0
	5,1	575,9	6754,8	1,7	P E 190 575,86	T 112A2	27,0
	5,1	280,9	6754,9	0,9	P E 150 280,94	T 100BL4	16,0
	5,1	575,9	6780,7	1,7	P E 190 575,86	T 100B2	27,0
	4,9	291,5	6959,9	1,8	P E 190 291,48	T 112A4	27,0
	4,9	291,5	7001,8	1,8	P E 190 291,48	T 100BL4	27,0
	4,8	606,4	7118,5	1,6	P E 190 606,41	T 112A2	27,0
	4,8	201,0	7434,9	1,5	P L 135 3 201	T 132M6	40,0
	4,8	606,4	7117,8	1,1	P E 170 606,41	T 112A2	21,0
	4,8	606,4	7132,9	1,6	P E 190 606,41	T 100B2	27,0
	4,8	606,4	7133,4	1,1	P E 170 606,41	T 100B2	21,0
	4,8	302,0	7207,2	1,2	P E 170 301,96	T 112A4	21,0
	4,8	302,5	7222,3	1,7	P E 190 302,51	T 112A4	27,0
	4,7	302,0	7253,7	1,2	P E 170 301,96	T 100BL4	21,0
	4,7	302,5	7268,5	1,7	P E 190 302,51	T 100BL4	27,0
	4,6	310,5	7409,7	0,8	P E 150 310,47	T 112A4	16,0
	4,6	310,5	7458,0	0,8	P E 150 310,47	T 100BL4	16,0
	4,6	210,7	7473,8	1,7	P E 190 210,74	T 132M6	27,0
	4,5	317,4	7572,3	1,7	P E 190 317,42	T 112A4	27,0
	4,5	317,4	7623,1	1,6	P E 190 317,42	T 100BL4	27,0
	4,5	215,0	7622,3	1,2	P E 170 215,02	T 132M6	21,0
	4,5	649,0	7623,5	1,1	P E 170 649	T 112A2	21,0
	4,5	649,0	7639,7	1,1	P E 170 649	T 100B2	21,0
	4,4	660,4	7742,8	1,5	P E 190 660,37	T 112A2	27,0
	4,4	660,4	7778,2	1,5	P E 190 660,37	T 100B2	27,0
	4,4	221,2	8179,6	1,4	P L 135 3 221,2	T 132M6	40,0
	4,4	329,4	7867,8	1,6	P E 190 329,43	T 112A4	27,0
	4,4	330,6	7886,1	1,1	P E 170 330,6	T 112A4	21,0
	4,3	329,4	7921,4	1,6	P E 190 329,43	T 100BL4	27,0
	4,3	330,6	7940,0	1,1	P E 170 330,6	T 100BL4	21,0
	4,2	697,9	8186,0	1,0	P E 170 697,85	T 112A2	21,0
	4,2	697,9	8225,4	1,0	P E 170 697,85	T 100B2	21,0
	4,2	704,9	8264,5	1,4	P E 190 704,94	T 112A2	27,0
	4,2	347,4	8285,0	1,5	P E 190 347,35	T 112A4	27,0
	4,1	704,9	8304,7	1,4	P E 190 704,94	T 100B2	27,0
	4,1	347,4	8344,5	1,5	P E 190 347,35	T 100BL4	27,0
	4,0	357,1	8531,0	1,5	P E 190 357,1	T 112A4	27,0
	4,0	357,1	8530,8	1,1	P E 170 357,1	T 112A4	21,0



4

P ₁ Input Power kW	n ₂ Output speed min ⁻¹	IR ratio -	T2 Ouput torque Nm	FS' Service Factor -	 GEAR	 EU	P _{tn} Thermal capacity kW
4	4.0	357.1	8595.5	1.5	P E 190 357.1	T 100BL4	27.0
	4.0	357.1	8596.0	1.0	P E 170 357.1	T 100BL4	21.0
	4.0	245.1	9068.4	1.3	P L 135 3 245.1	T 132M6	40.0
	3.9	246.9	8747.4	1.4	P E 190 246.94	T 132M6	27.0
	3.9	246.9	8748.5	1.0	P E 170 246.94	T 132M6	21.0
	3.9	756.8	8883.7	1.3	P E 190 756.78	T 112A2	27.0
	3.9	756.8	8884.0	0.9	P E 170 756.78	T 112A2	21.0
	3.9	756.8	8906.1	1.3	P E 190 756.78	T 100B2	27.0
	3.9	756.8	8906.0	0.9	P E 170 756.78	T 100B2	21.0
	3.8	377.5	9000.0	1.0	P E 170 377.45	T 112A4	21.0
	3.8	377.5	9070.3	1.0	P E 170 377.45	T 100BL4	21.0
	3.7	388.9	9292.0	1.3	P E 190 388.88	T 112A4	27.0
	3.7	388.9	9342.3	1.3	P E 190 388.88	T 100BL4	27.0
	3.6	268.9	9523.8	1.3	P E 190 268.91	T 132M6	27.0
	3.6	268.8	9523.8	0.9	P E 170 268.78	T 132M6	21.0
	3.6	811.3	9523.8	0.9	P E 170 811.25	T 112A2	21.0
	3.6	811.3	9549.1	0.8	P E 170 811.25	T 100B2	21.0
	3.6	824.1	9657.8	1.2	P E 190 824.12	T 112A2	27.0
	3.5	824.1	9712.8	1.2	P E 190 824.12	T 100B2	27.0
	3.5	409.3	9766.7	0.9	P E 170 409.33	T 112A4	21.0
	3.5	409.3	9852.2	0.9	P E 170 409.33	T 100BL4	21.0
	3.4	425.6	10170.9	1.2	P E 190 425.55	T 112A4	27.0
	3.4	425.6	10231.2	1.2	P E 190 425.55	T 100BL4	27.0
	3.3	291.5	10324.2	1.2	P E 190 291.48	T 132M6	27.0
	3.3	879.8	10325.5	1.1	P E 190 879.75	T 112A2	27.0
	3.3	879.8	10355.7	1.1	P E 190 879.75	T 100B2	27.0
	3.2	445.6	10644.6	0.8	P E 170 445.6	T 112A4	21.0
	3.2	448.2	10711.2	1.2	P E 190 448.15	T 112A4	27.0
	3.2	302.5	10711.2	1.2	P E 190 302.51	T 132M6	27.0
	3.2	302.0	10711.1	0.8	P E 170 301.96	T 132M6	21.0
	3.2	445.6	10711.1	0.8	P E 170 445.6	T 100BL4	21.0
	3.2	448.2	10778.2	1.2	P E 190 448.15	T 100BL4	27.0
	3.1	317.4	11236.0	1.1	P E 190 317.42	T 132M6	27.0
	3.1	958.0	11236.0	1.0	P E 190 958.04	T 112A2	27.0
	3.1	958.0	11271.7	1.0	P E 190 958.04	T 100B2	27.0
	3.0	483.2	11536.7	1.1	P E 190 483.23	T 112A4	27.0
	3.0	483.2	11614.4	1.1	P E 190 483.23	T 100BL4	27.0
	2.9	329.4	11693.2	1.1	P E 190 329.43	T 132M6	27.0
	2.8	347.4	12321.3	1.0	P E 190 347.35	T 132M6	27.0
	2.8	1064.2	12503.4	0.9	P E 190 1064.22	T 112A2	27.0
	2.7	526.2	12547.1	1.0	P E 190 526.24	T 112A4	27.0
	2.7	1064.2	12547.7	0.9	P E 190 1064.22	T 100B2	27.0
	2.7	357.1	12639.0	1.0	P E 190 357.1	T 132M6	27.0
	2.7	526.2	12639.0	1.0	P E 190 526.24	T 100BL4	27.0
	2.5	1158.9	13589.4	0.8	P E 190 1158.92	T 112A2	27.0
	2.5	1158.9	13641.8	0.8	P E 190 1158.92	T 100B2	27.0
	2.5	575.9	13751.4	0.9	P E 190 575.86	T 112A4	27.0
	2.5	388.9	13808.3	0.9	P E 190 388.88	T 132M6	27.0
2.5	575.9	13861.9	0.9	P E 190 575.86	T 100BL4	27.0	
2.4	606.4	14505.4	0.9	P E 190 606.41	T 112A4	27.0	
2.4	606.4	14568.8	0.9	P E 190 606.41	T 100BL4	27.0	
2.3	425.6	15078.4	0.8	P E 190 425.55	T 132M6	27.0	





HIGH TECH *line* Motion



P ₁ Input Power kW	n ₂ Output speed min ⁻¹	IR ratio -	T ₂ Ouput torque Nm	FS' Service Factor -			P _{tn} Thermal capacity kW
5,5	1123,1	2,6	44,4	2,7	P - 71 2 2,6	T 112B2	7,5
	973,3	3,0	51,3	1,5	P - 63 2 3	T 112B2	5,6
	912,5	3,2	54,7	2,6	P - 71 2 3,2	T 112B2	7,5
	768,4	3,8	64,9	2,5	P - 71 2 3,8	T 112B2	7,5
	748,7	3,9	66,6	1,4	P - 63 2 3,9	T 112B2	5,6
	679,1	4,3	73,5	2,5	P - 71 2 4,3	T 112B2	7,5
	679,1	4,3	73,5	1,3	P - 63 2 4,3	T 112B2	5,6
	584,0	5,0	85,4	1,3	P - 63 2 5	T 112B2	5,6
	553,9	2,6	90,1	1,4	P - 71 2 2,6	T 112BL4	7,5
	550,9	5,3	90,6	2,0	P - 71 2 5,3	T 112B2	7,5
	521,4	5,6	95,7	1,3	P - 63 2 5,6	T 112B2	5,6
	471,0	6,2	105,9	2,2	P - 71 2 6,2	T 112B2	7,5
	471,0	6,2	105,9	1,2	P - 63 2 6,2	T 112B2	5,6
	450,0	3,2	110,9	1,4	P - 71 2 3,2	T 112BL4	7,5
	449,2	6,5	111,1	1,2	P - 63 2 6,5	T 112B2	5,6
	411,3	7,1	121,3	2,2	P - 71 2 7,1	T 112B2	7,5
	394,6	7,4	126,5	1,1	P - 63 2 7,4	T 112B2	5,6
	379,0	3,8	131,7	1,3	P - 71 2 3,8	T 112BL4	7,5
	369,2	3,9	135,1	0,8	P - 63 2 3,9	T 112BL4	5,6
	365,0	8,0	136,7	1,1	P - 63 2 8	T 112B2	5,6
	359,3	2,7	138,9	2,4	P - 90 2 2,7	T 132ML6	10,5
	335,6	8,7	148,7	1,9	P - 71 2 8,7	T 112B2	7,5
	334,9	4,3	149,0	1,3	P - 71 2 4,3	T 112BL4	7,5
	334,9	4,3	149,0	0,9	P - 63 2 4,3	T 112BL4	5,6
	324,4	9,0	153,8	1,1	P - 63 2 9	T 112B2	5,6
	315,1	9,3	158,4	2,9	P - 90 2 9,3	T 132S2	10,5
	314,0	9,3	158,9	2,9	P - 90 2 9,3	T 112B2	10,5
	288,0	5,0	173,3	0,8	P - 63 2 5	T 112BL4	5,6
	286,3	10,2	174,3	2,1	P - 71 2 10,2	T 112B2	7,5
	280,8	10,4	177,7	1,0	P - 63 2 10,4	T 112B2	5,6
	275,5	5,3	181,1	2,9	P - 90 2 5,3	T 132S4	10,5
	271,7	5,3	183,7	2,9	P - 90 2 5,3	T 112BL4	10,5
	271,7	5,3	183,7	1,1	P - 71 2 5,3	T 112BL4	7,5
	257,1	5,6	194,0	0,8	P - 63 2 5,6	T 112BL4	5,6
	251,7	11,6	198,2	1,9	P - 71 2 11,6	T 112B2	7,5
	251,3	11,6	198,6	3,0	P - 80 2 11,62	T 112B2	7,5
	247,5	5,9	201,6	2,8	P - 90 2 5,9	T 132S4	10,5
	247,5	11,8	201,7	0,9	P - 63 2 11,8	T 112B2	5,6
	244,1	5,9	204,4	2,7	P - 90 2 5,9	T 112BL4	10,5
	237,4	12,3	210,2	1,3	P - 71 2 12,3	T 112B2	7,5
	232,3	6,2	214,8	1,2	P - 71 2 6,2	T 112BL4	7,5
	231,0	4,2	216,1	2,2	P - 90 2 4,2	T 132ML6	10,5
	218,6	6,7	228,3	3,0	P - 80 2 6,68	T 132S4	7,5
	217,9	6,7	229,0	2,6	P - 90 2 6,7	T 132S4	10,5
	216,3	13,5	230,7	0,9	P - 63 2 13,5	T 112B2	5,6
	215,6	6,7	231,5	2,9	P - 80 2 6,68	T 112BL4	7,5
	214,9	6,7	232,2	2,6	P - 90 2 6,7	T 112BL4	10,5
	213,2	4,6	234,1	2,8	P - 80 2 4,55	T 132ML6	7,5
	213,1	13,8	234,2	2,9	P - 80 2 13,75	T 132S2	7,5
	212,4	13,8	235,0	2,9	P - 80 2 13,75	T 112B2	7,5
	208,6	14,0	239,2	1,7	P - 71 2 14	T 112B2	7,5
	202,8	7,1	246,0	1,2	P - 71 2 7,1	T 112BL4	7,5
	202,2	7,2	246,8	2,7	P - 80 2 7,22	T 132S4	7,5
	199,5	7,2	250,2	2,7	P - 80 2 7,22	T 112BL4	7,5
	198,8	14,7	251,0	2,7	P - 80 2 14,74	T 132S2	7,5
198,1	14,7	251,9	2,7	P - 80 2 14,74	T 112B2	7,5	
187,2	7,8	266,6	2,4	P - 90 2 7,8	T 132S4	10,5	
184,6	7,8	270,3	2,4	P - 90 2 7,8	T 112BL4	10,5	
183,1	16,0	272,5	2,7	P - 90 2 16	T 132S2	10,5	
183,0	5,3	272,6	1,9	P - 90 2 5,3	T 132ML6	10,5	
182,5	16,0	273,4	2,7	P - 90 2 16	T 112B2	10,5	
181,4	16,1	275,1	1,5	P - 71 2 16,1	T 112B2	7,5	
174,6	8,4	285,7	2,4	P - 80 2 8,36	T 132S4	7,5	
172,3	8,4	289,7	2,3	P - 80 2 8,36	T 112BL4	7,5	
171,7	17,1	290,7	2,6	P - 80 2 17,07	T 132S2	7,5	
171,4	17,1	291,2	2,5	P - 90 2 17,1	T 132S2	10,5	
171,1	17,1	291,7	2,6	P - 80 2 17,07	T 112B2	7,5	
170,8	17,1	292,2	2,5	P - 90 2 17,1	T 112B2	10,5	
170,2	5,7	293,2	2,5	P - 80 2 5,7	T 132ML6	7,5	
168,8	17,3	295,6	1,4	P - 71 2 17,3	T 112B2	7,5	
167,8	8,7	297,3	1,9	P - 90 2 8,7	T 132S4	10,5	
165,5	8,7	301,5	1,9	P - 90 2 8,7	T 112BL4	10,5	
165,5	8,7	301,4	1,0	P - 71 2 8,7	T 112BL4	7,5	
164,4	5,9	303,5	1,8	P - 90 2 5,9	T 132ML6	10,5	
158,8	18,5	314,2	2,6	P - 80 2 18,45	T 132S2	7,5	
158,3	18,5	315,3	2,6	P - 80 2 18,45	T 112B2	7,5	
157,0	9,3	317,9	1,8	P - 90 2 9,3	T 132S4	10,5	
156,2	18,7	319,5	1,3	P - 71 2 18,7	T 112B2	7,5	
155,3	9,4	321,3	2,1	P - 80 2 9,4	T 132S4	7,5	
154,8	9,3	322,3	1,7	P - 90 2 9,3	T 112BL4	10,5	
153,2	9,4	325,7	2,1	P - 80 2 9,4	T 112BL4	7,5	
150,5	9,7	331,5	2,5	P - 90 2 9,7	T 132S4	10,5	
150,3	19,5	331,9	1,6	P - 80 2 19,49	T 132S2	7,5	
149,8	19,5	333,1	1,6	P - 80 2 19,49	T 112B2	7,5	
148,5	9,7	336,1	2,4	P - 90 2 9,7	T 112BL4	10,5	
148,0	19,8	337,2	2,2	P - 90 2 19,8	T 132S2	10,5	
147,5	19,8	338,4	2,2	P - 90 2 19,8	T 112B2	10,5	
145,4	10,0	343,1	1,9	P - 80 2 10,04	T 132S4	7,5	
145,2	6,7	343,6	2,2	P - 80 2 6,68	T 132ML6	7,5	
144,8	6,7	344,6	1,7	P - 90 2 6,7	T 132ML6	10,5	
144,6	20,2	345,2	1,2	P - 71 2 20,2	T 112B2	7,5	
143,4	10,0	347,9	1,9	P - 80 2 10,04	T 112BL4	7,5	
142,7	20,5	349,6	1,5	P - 80 2 20,53	T 132S2	7,5	
142,7	6,8	349,8	2,9	P - 112 2 6,8	T 132ML6	16,5	
142,2	20,5	350,8	1,5	P - 80 2 20,53	T 112B2	7,5	



P ₁ Input Power kW	n ₂ Output speed min ⁻¹	IR ratio -	T2 Ouput torque Nm	FS' Service Factor -	 GEAR	 EU	Ptn Thermal capacity kW
5,5	141,2	10,2	353,4	1,2	P - 71 2 10,2	T 112BL4	7,5
	136,9	21,4	364,4	2,0	P - 90 2 21,4	T 132S2	10,5
	136,5	21,5	365,5	1,5	P - 80 2 21,46	T 132S2	7,5
	136,5	21,4	365,7	2,0	P - 90 2 21,4	T 112B2	10,5
	136,1	21,5	366,7	1,5	P - 80 2 21,46	T 112B2	7,5
	134,4	7,2	371,4	2,0	P - 80 2 7,22	T 132ML6	7,5
	133,9	10,9	372,6	2,3	P - 90 2 10,9	T 132S4	10,5
	133,3	21,9	374,3	1,1	P - 71 2 21,9	T 112B2	7,5
	132,1	10,9	377,7	2,3	P - 90 2 10,9	T 112BL4	10,5
	131,5	11,1	379,4	2,9	P - 112 2 11,1	T 132S4	16,5
	129,7	11,1	384,6	2,9	P - 112 2 11,1	T 112BL4	16,5
	125,7	11,6	397,1	1,7	P - 80 2 11,62	T 132S4	7,5
	124,4	7,8	401,3	1,7	P - 90 2 7,8	T 132ML6	10,5
	124,1	11,6	401,9	1,1	P - 71 2 11,6	T 112BL4	7,5
	123,9	11,6	402,7	1,6	P - 80 2 11,62	T 112BL4	7,5
	123,1	23,8	396,8	1,8	P L 85 3 23,8	T 132S2	11,0
	122,8	7,9	406,4	2,7	P - 112 2 7,9	T 132ML6	16,5
	122,7	23,8	398,2	1,8	P L 85 3 23,8	T 112B2	11,0
	122,7	23,9	406,8	1,3	P - 80 2 23,89	T 132S2	7,5
	122,2	23,9	408,2	1,3	P - 80 2 23,89	T 112B2	7,5
	118,7	12,3	420,4	2,2	P - 90 2 12,3	T 132S4	10,5
	117,2	25,0	425,8	1,7	P - 90 2 25	T 132S2	10,5
	117,1	12,3	426,2	2,1	P - 90 2 12,3	T 112BL4	10,5
	116,8	25,0	427,2	1,7	P - 90 2 25	T 112B2	10,5
	116,0	8,4	430,0	1,7	P - 80 2 8,36	T 132ML6	7,5
	115,4	25,3	432,3	0,8	P - 71 2 25,3	T 112B2	7,5
	111,5	8,7	447,5	1,3	P - 90 2 8,7	T 132ML6	10,5
	111,4	26,3	447,9	1,2	P - 80 2 26,3	T 132S2	7,5
	111,0	26,3	449,4	1,2	P - 80 2 26,3	T 112B2	7,5
	110,6	26,4	441,6	1,2	P L 65 3 26,4	T 112B2	8,0
	109,0	8,9	457,8	2,4	P - 112 2 8,9	T 132ML6	16,5
	106,6	27,5	458,5	1,9	P L 85 3 27,5	T 132S2	11,0
	106,2	27,5	460,0	1,9	P L 85 3 27,5	T 112B2	11,0
	106,2	13,8	469,9	1,6	P - 80 2 13,75	T 132S4	7,5
	105,8	27,7	471,7	1,6	P - 90 2 27,7	T 132S2	10,5
	105,4	27,7	473,3	1,6	P - 90 2 27,7	T 112B2	10,5
	104,7	13,8	476,4	1,6	P - 80 2 13,75	T 112BL4	7,5
	104,3	9,3	478,4	1,2	P - 90 2 9,3	T 132ML6	10,5
	104,3	14,0	478,4	1,9	P - 90 2 14	T 132S4	10,5
	103,2	28,4	483,3	1,1	P - 80 2 28,38	T 132S2	7,5
	103,2	9,4	483,5	1,6	P - 80 2 9,4	T 132ML6	7,5
	102,9	28,4	485,0	1,1	P - 80 2 28,38	T 112B2	7,5
	102,9	14,0	485,1	1,9	P - 90 2 14	T 112BL4	10,5
	102,9	14,0	485,1	0,9	P - 71 2 14	T 112BL4	7,5
	101,4	28,8	492,1	0,8	P - 71 2 28,8	T 112B2	7,5
	100,7	29,1	495,6	2,9	P - 112 2 29,1	T 132S2	16,5
	100,3	29,1	497,3	2,9	P - 112 2 29,1	T 112B2	16,5
	100,0	9,7	499,0	2,2	P - 112 2 9,7	T 132ML6	16,5
	100,0	9,7	499,0	1,8	P - 90 2 9,7	T 132ML6	10,5
	99,1	14,7	503,8	1,5	P - 80 2 14,74	T 132S4	7,5
97,7	14,7	510,8	1,5	P - 80 2 14,74	T 112BL4	7,5	
97,2	30,2	513,5	1,1	P - 80 2 30,15	T 132S2	7,5	
96,9	30,2	515,2	1,0	P - 80 2 30,15	T 112B2	7,5	
96,6	10,0	516,5	1,4	P - 80 2 10,04	T 132ML6	7,5	
96,1	30,5	519,4	1,4	P - 90 2 30,5	T 132S2	10,5	
95,7	30,5	521,2	1,4	P - 90 2 30,5	T 112B2	10,5	
91,3	16,0	546,8	1,7	P - 90 2 16	T 132S4	10,5	
90,7	32,3	550,1	2,7	P - 112 2 32,3	T 132S2	16,5	
90,4	32,3	552,0	2,6	P - 112 2 32,3	T 112B2	16,5	
90,4	32,3	540,4	1,0	P L 65 3 32,3	T 112B2	8,0	
90,0	16,0	554,4	1,6	P - 90 2 16	T 112BL4	10,5	
89,6	16,3	557,1	2,9	P - 112 2 16,3	T 132S4	16,5	
89,4	16,1	557,9	0,8	P - 71 2 16,1	T 112BL4	7,5	
89,0	10,9	560,7	1,6	P - 90 2 10,9	T 132ML6	10,5	
88,3	16,3	564,8	2,9	P - 112 2 16,3	T 112BL4	16,5	
87,4	11,1	571,0	1,9	P - 112 2 11,1	T 132ML6	16,5	
85,5	17,1	583,4	1,5	P - 80 2 17,07	T 132S4	7,5	
85,4	17,1	584,4	1,6	P - 90 2 17,1	T 132S4	10,5	
84,9	34,5	575,2	1,7	P L 85 3 34,5	T 132S2	11,0	
84,6	34,5	577,1	1,7	P L 85 3 34,5	T 112B2	11,0	
84,4	17,1	591,5	1,4	P - 80 2 17,07	T 112BL4	7,5	
84,2	34,8	592,5	0,9	P - 80 2 34,79	T 132S2	7,5	
84,2	17,1	592,5	1,5	P - 90 2 17,1	T 112BL4	10,5	
83,9	34,8	594,5	0,9	P - 80 2 34,79	T 112B2	7,5	
83,7	35,0	596,1	1,2	P - 90 2 35	T 132S2	10,5	
83,5	11,6	597,7	1,2	P - 80 2 11,62	T 132ML6	7,5	
83,4	35,0	598,1	1,2	P - 90 2 35	T 112B2	10,5	
82,5	17,7	604,9	2,8	P - 112 2 17,7	T 132S4	16,5	
81,4	17,7	613,3	2,8	P - 112 2 17,7	T 112BL4	16,5	
79,1	18,5	630,6	1,4	P - 80 2 18,45	T 132S4	7,5	
78,9	12,3	632,7	1,5	P - 90 2 12,3	T 132ML6	10,5	
78,2	12,4	637,9	2,5	P - 112 2 12,4	T 132ML6	16,5	
78,1	18,5	639,3	1,4	P - 80 2 18,45	T 112BL4	7,5	
77,7	37,6	629,0	0,9	P L 65 3 37,6	T 112B2	8,0	
77,2	38,0	646,2	0,8	P - 80 2 37,95	T 132S2	7,5	
76,9	38,0	648,5	0,8	P - 80 2 37,95	T 112B2	7,5	
75,7	38,7	645,2	1,7	P L 85 3 38,7	T 132S2	11,0	
75,5	38,7	647,4	1,7	P L 85 3 38,7	T 112B2	11,0	
75,5	38,7	647,4	1,1	P - 90 3 38,7	T 112B2	7,5	
75,3	38,9	662,5	2,2	P - 112 2 38,9	T 132S2	16,5	
75,1	38,9	664,8	2,2	P - 112 2 38,9	T 112B2	16,5	
74,9	19,5	666,1	0,9	P - 80 2 19,49	T 132S4	7,5	
73,9	19,5	675,4	0,9	P - 80 2 19,49	T 112BL4	7,5	
73,7	19,8	676,7	1,3	P - 90 2 19,8	T 132S4	10,5	
73,4	19,9	680,1	2,9	P - 125 2 19,9	T 132S4	21,0	





HIGH TECH *line* Motion



P ₁ Input Power kW	n ₂ Output speed min ⁻¹	IR ratio -	T ₂ Output torque Nm	FS' Service Factor -	 GEAR	 EU	P _{tn} Thermal capacity kW
5,5	72.7	19.8	686.1	1.3	P - 90 2 19.8	T 112BL4	10.5
	72.5	40.4	688.1	0.9	P - 90 2 40.4	T 132S2	10.5
	72.4	19.9	689.6	2.9	P - 125 2 19.9	T 112BL4	21.0
	72.4	40.5	675.2	2.8	P L 95 3 40.5	T 132S2	16.0
	72.3	20.2	690.4	2.5	P - 112 2 20.2	T 132S4	16.5
	72.3	40.4	690.3	0.8	P - 90 2 40.4	T 112B2	10.5
	72.1	40.5	677.5	2.8	P L 95 3 40.5	T 112B2	16.0
	72.0	40.7	693.1	2.1	P - 112 2 40.7	T 132S2	16.5
	71.7	40.7	695.5	2.1	P - 112 2 40.7	T 112B2	16.5
	71.3	20.2	699.9	2.5	P - 112 2 20.2	T 112BL4	16.5
	71.1	20.5	701.7	0.9	P - 80 2 20.53	T 132S4	7.5
	70.6	13.8	707.2	1.2	P - 80 2 13.75	T 132ML6	7.5
	70.1	20.5	711.4	0.8	P - 80 2 20.53	T 112BL4	7.5
	69.3	14.0	720.2	1.3	P - 90 2 14	T 132ML6	10.5
	68.2	21.4	731.4	1.2	P - 90 2 21.4	T 132S4	10.5
	68.0	21.5	733.5	0.8	P - 80 2 21.46	T 132S4	7.5
	67.3	21.4	741.6	1.2	P - 90 2 21.4	T 112BL4	10.5
	67.3	21.7	741.6	2.4	P - 112 2 21.7	T 132S4	16.5
	67.1	21.5	743.6	0.8	P - 80 2 21.46	T 112BL4	7.5
	67.1	43.7	728.6	1.5	P L 85 3 43.7	T 132S2	11.0
	66.9	14.5	745.9	2.3	P - 112 2 14.5	T 132ML6	16.5
	66.8	43.7	731.1	1.5	P L 85 3 43.7	T 112B2	11.0
	66.8	43.7	731.0	1.0	P - 90 3 43.7	T 112B2	7.5
	66.4	44.1	751.1	0.9	P - 90 2 44.1	T 132S2	10.5
	66.4	21.7	752.0	2.3	P - 112 2 21.7	T 112BL4	16.5
	66.2	44.1	753.6	0.9	P - 90 2 44.1	T 112B2	10.5
	66.1	44.3	754.4	2.6	P - 125 2 44.3	T 132S2	21.0
	65.9	44.3	757.1	2.6	P - 125 2 44.3	T 112B2	21.0
	65.8	14.7	758.2	1.1	P - 80 2 14.74	T 132ML6	7.5
	65.6	44.7	761.2	1.9	P - 112 2 44.7	T 132S2	16.5
	65.3	44.7	763.9	1.9	P - 112 2 44.7	T 112B2	16.5
	64.2	15.1	776.8	2.7	P - 125 2 15.1	T 132ML6	21.0
	62.5	46.9	781.9	2.4	P L 95 3 46.9	T 132S2	16.0
	62.3	46.9	784.6	2.4	P L 95 3 46.9	T 112B2	16.0
	61.9	23.6	789.7	2.0	P L 95 3 23.6	T 132S4	16.0
	61.3	23.8	796.4	1.0	P L 85 3 23.8	T 132S4	11.0
	61.0	23.6	800.5	2.0	P L 95 3 23.6	T 112BL4	16.0
	60.6	16.0	823.2	1.1	P - 90 2 16	T 132ML6	10.5
	60.5	23.8	807.3	1.0	P L 85 3 23.8	T 112BL4	11.0
	59.9	48.9	832.7	1.8	P - 112 2 48.9	T 132S2	16.5
	59.8	48.8	816.3	0.9	P - 90 3 48.8	T 112B2	7.5
	59.7	48.9	835.7	1.7	P - 112 2 48.9	T 112B2	16.5
	59.5	16.3	838.5	2.1	P - 112 2 16.3	T 132ML6	16.5
	58.4	25.0	854.4	1.1	P - 90 2 25	T 132S4	10.5
	58.2	25.1	857.8	2.4	P - 125 2 25.1	T 132S4	21.0
	57.8	50.7	854.3	3.0	P L 105 3 50.7	T 132S2	22.0
	57.6	25.0	866.4	1.1	P - 90 2 25	T 112BL4	10.5
	57.6	50.7	857.3	2.9	P L 105 3 50.7	T 112B2	22.0
	57.6	50.9	866.9	0.8	P - 90 2 50.9	T 132S2	10.5
	57.5	25.4	868.1	1.9	P - 112 2 25.4	T 132S4	16.5
57.4	25.1	869.8	2.4	P - 125 2 25.1	T 112BL4	21.0	
57.4	50.9	869.9	0.8	P - 90 2 50.9	T 112B2	10.5	
57.0	51.2	856.5	1.6	P - 112 3 51.2	T 112B2	11.8	
56.8	17.1	878.1	1.1	P - 80 2 17.07	T 132ML6	7.5	
56.7	17.1	879.5	1.0	P - 90 2 17.1	T 132ML6	10.5	
56.7	25.4	880.2	1.8	P - 112 2 25.4	T 112BL4	16.5	
55.2	53.1	904.3	2.2	P - 125 2 53.1	T 132S2	21.0	
55.0	53.1	907.4	2.2	P - 125 2 53.1	T 112B2	21.0	
54.8	17.7	910.6	2.0	P - 112 2 17.7	T 132ML6	16.5	
53.6	54.7	912.0	2.1	P L 95 3 54.7	T 132S2	16.0	
53.4	54.7	915.1	2.1	P L 95 3 54.7	T 112B2	16.0	
53.3	27.4	916.8	2.0	P L 95 3 27.4	T 132S4	16.0	
53.3	55.0	926.8	2.8	P L 105 3 55	T 132S2	22.0	
53.1	55.0	930.0	2.8	P L 105 3 55	T 112B2	22.0	
53.1	27.5	920.1	1.0	P L 85 3 27.5	T 132S4	11.0	
52.7	27.7	946.7	1.0	P - 90 2 27.7	T 132S4	10.5	
52.6	18.5	949.1	1.0	P - 80 2 18.45	T 132ML6	7.5	
52.6	27.4	929.6	1.9	P L 95 3 27.4	T 112BL4	16.0	
52.4	27.5	932.9	1.0	P L 85 3 27.5	T 112BL4	11.0	
52.0	56.3	938.7	1.2	P L 85 3 56.3	T 132S2	11.0	
52.0	27.7	959.7	0.9	P - 90 2 27.7	T 112BL4	10.5	
51.9	56.3	941.8	1.1	P L 85 3 56.3	T 112B2	11.0	
51.1	28.6	967.1	2.7	P L 105 3 28.6	T 132S4	22.0	
51.0	57.5	979.1	2.0	P - 125 2 57.5	T 132S2	21.0	
50.8	57.5	982.7	2.0	P - 125 2 57.5	T 112B2	21.0	
50.4	28.6	980.6	2.7	P L 105 3 28.6	T 112BL4	22.0	
50.2	29.1	994.6	1.8	P - 112 2 29.1	T 132S4	16.5	
49.9	58.5	978.8	1.4	P - 112 3 58.5	T 112B2	11.8	
49.5	29.1	1008.5	1.7	P - 112 2 29.1	T 112BL4	16.5	
49.0	19.8	1018.5	0.9	P - 90 2 19.8	T 132ML6	10.5	
48.7	19.9	1023.8	2.1	P - 125 2 19.9	T 132ML6	21.0	
48.3	30.2	1032.2	2.1	P - 125 2 30.2	T 132S4	21.0	
48.0	20.2	1039.1	1.8	P - 112 2 20.2	T 132ML6	16.5	
47.9	30.5	1042.3	0.9	P - 90 2 30.5	T 132S4	10.5	
47.7	30.2	1046.5	2.1	P - 125 2 30.2	T 112BL4	21.0	
47.2	30.5	1057.0	0.9	P - 90 2 30.5	T 112BL4	10.5	
47.1	20.6	1048.5	2.6	P L 105 3 20.6	T 132ML6	22.0	
46.7	62.7	1056.6	2.5	P L 105 3 62.7	T 132S2	22.0	
46.7	31.3	1058.3	2.6	P L 105 3 31.3	T 132S4	22.0	
46.6	62.7	1060.2	2.5	P L 105 3 62.7	T 112B2	22.0	
46.6	62.7	1048.9	1.4	P - 112 3 62.7	T 112B2	11.8	
46.0	31.3	1073.1	2.6	P L 105 3 31.3	T 112BL4	22.0	
45.9	63.9	1065.5	1.0	P L 85 3 63.9	T 132S2	11.0	
45.7	63.9	1068.9	1.0	P L 85 3 63.9	T 112B2	11.0	
45.4	32.1	1098.1	2.9	P - 132 2 32.13	T 132S4	30.0	

P ₁ Input Power kW	n ₂ Output speed min ⁻¹	IR ratio -	T2 Ouput torque Nm	FS' Service Factor -	 GEAR	 EU	Ptn Thermal capacity kW
5,5	45,3	21,4	1100,7	0,8	P - 90 2 21.4	T 132ML6	10,5
	45,2	32,3	1103,9	1,6	P - 112 2 32.3	T 132S4	16,5
	44,8	32,1	1113,3	2,9	P - 132 2 32.13	T 112BL4	30,0
	44,8	65,4	1090,3	1,8	P L 95 3 65.4	T 132S2	16,0
	44,7	21,7	1116,3	1,7	P - 112 2 21.7	T 132ML6	16,5
	44,7	65,4	1094,0	1,8	P L 95 3 65.4	T 112B2	16,0
	44,6	32,3	1119,3	1,6	P - 112 2 32.3	T 112BL4	16,5
	44,4	32,9	1100,7	1,9	P L 95 3 32.9	T 132S4	16,0
	43,8	32,9	1116,0	1,9	P L 95 3 32.9	T 112BL4	16,0
	43,5	33,6	1146,6	2,4	P - 132 2 33.55	T 132S4	30,0
	43,3	67,4	1127,6	1,3	P - 112 3 67.4	T 112B2	11,8
	43,1	22,5	1145,3	2,4	P L 105 3 22.5	T 132ML6	22,0
	42,9	33,6	1162,6	2,4	P - 132 2 33.55	T 112BL4	30,0
	42,3	34,5	1154,4	1,0	P L 85 3 34.5	T 132S4	11,0
	42,1	23,1	1186,6	2,8	P - 132 2 23.07	T 132ML6	30,0
	41,7	34,5	1170,2	0,9	P L 85 3 34.5	T 112BL4	11,0
	41,5	35,2	1190,3	2,4	P L 105 3 35.2	T 132S4	22,0
	41,4	70,7	1191,5	2,2	P L 105 3 70.7	T 132S2	22,0
	41,3	70,7	1195,5	2,2	P L 105 3 70.7	T 112B2	22,0
	41,1	23,6	1188,6	1,5	P L 95 3 23.6	T 132ML6	16,0
	40,9	35,2	1206,9	2,3	P L 105 3 35.2	T 112BL4	22,0
	40,6	23,9	1216,4	2,3	P L 105 3 23.9	T 132ML6	22,0
	40,2	72,6	1214,5	1,2	P - 112 3 72.6	T 112B2	11,8
	39,6	74,0	1233,9	0,9	P L 85 3 74	T 132S2	11,0
	39,5	36,9	1262,0	2,4	P - 132 2 36.92	T 132S4	30,0
	39,5	74,2	1237,0	1,7	P L 95 3 74.2	T 132S2	16,0
	39,5	74,0	1238,0	0,9	P L 85 3 74	T 112B2	11,0
	39,4	74,2	1241,4	1,7	P L 95 3 74.2	T 112B2	16,0
	39,0	36,9	1279,5	2,3	P - 132 2 36.92	T 112BL4	30,0
	38,7	25,1	1291,0	1,8	P - 125 2 25.1	T 132ML6	21,0
	38,2	38,2	1305,6	1,8	P - 125 2 38.2	T 132S4	21,0
	38,2	25,4	1306,6	1,3	P - 112 2 25.4	T 132ML6	16,5
	37,9	38,5	1302,0	2,2	P L 105 3 38.5	T 132S4	22,0
	37,7	38,7	1294,6	0,9	P L 85 3 38.7	T 132S4	11,0
	37,7	38,2	1323,6	1,7	P - 125 2 38.2	T 112BL4	21,0
	37,5	38,9	1329,6	1,3	P - 112 2 38.9	T 132S4	16,5
	37,4	38,5	1320,2	2,1	P L 105 3 38.5	T 112BL4	22,0
	37,2	38,7	1312,6	0,9	P L 85 3 38.7	T 112BL4	11,0
	37,2	78,5	1313,1	1,1	P - 112 3 78.5	T 112B2	11,8
	37,0	38,9	1347,9	1,3	P - 112 2 38.9	T 112BL4	16,5
	36,8	26,4	1355,6	2,4	P - 132 2 26.35	T 132ML6	30,0
	36,7	79,8	1344,6	2,0	P L 105 3 79.8	T 132S2	22,0
	36,6	79,8	1349,4	2,0	P L 105 3 79.8	T 112B2	22,0
	36,1	40,5	1355,0	1,6	P L 95 3 40.5	T 132S4	16,0
	35,9	40,7	1391,1	1,3	P - 112 2 40.7	T 132S4	16,5
	35,7	40,9	1398,1	2,1	P - 132 2 40.91	T 132S4	30,0
	35,6	40,5	1373,7	1,5	P L 95 3 40.5	T 112BL4	16,0
	35,4	27,4	1379,9	1,4	P L 95 3 27.4	T 132ML6	16,0
	35,4	40,7	1410,5	1,2	P - 112 2 40.7	T 112BL4	16,5
	35,2	40,9	1417,5	2,1	P - 132 2 40.91	T 112BL4	30,0
	34,1	42,8	1462,9	2,9	P - 150 2 42.8	T 132S4	38,0
	34,1	86,0	1433,7	1,5	P L 95 3 86	T 132S2	16,0
34,0	86,0	1438,9	1,5	P L 95 3 86	T 112B2	16,0	
33,9	28,6	1455,6	1,9	P L 105 3 28.6	T 132ML6	22,0	
33,6	42,8	1483,3	2,9	P - 150 2 42.8	T 112BL4	38,0	
33,5	87,4	1472,9	1,9	P L 105 3 87.4	T 132S2	22,0	
33,5	87,2	1474,3	3,0	P L 115 3 87.2	T 112B2	26,0	
33,5	29,0	1491,7	2,3	P - 132 2 29	T 132ML6	30,0	
33,5	87,3	1460,4	1,0	P - 112 3 87.3	T 112B2	11,8	
33,4	87,4	1477,8	1,9	P L 105 3 87.4	T 112B2	22,0	
33,4	43,7	1462,1	0,8	P L 85 3 43.7	T 132S4	11,0	
33,3	29,1	1497,2	1,2	P - 112 2 29.1	T 132ML6	16,5	
33,0	44,3	1513,8	1,5	P - 125 2 44.3	T 132S4	21,0	
33,0	43,7	1482,5	0,8	P L 85 3 43.7	T 112BL4	11,0	
32,7	44,7	1527,8	1,1	P - 112 2 44.7	T 132S4	16,5	
32,5	44,9	1518,3	1,8	P L 105 3 44.9	T 132S4	22,0	
32,5	44,3	1534,9	1,4	P - 125 2 44.3	T 112BL4	21,0	
32,3	90,6	1526,7	1,9	P L 105 3 90.6	T 132S2	22,0	
32,2	90,6	1531,9	1,9	P L 105 3 90.6	T 112B2	22,0	
32,2	44,7	1549,2	1,1	P - 112 2 44.7	T 112BL4	16,5	
32,1	30,2	1553,6	1,5	P - 125 2 30.2	T 132ML6	21,0	
32,1	44,9	1539,5	1,8	P L 105 3 44.9	T 112BL4	22,0	
31,2	93,6	1565,8	1,0	P - 112 3 93.6	T 112B2	11,8	
31,1	46,9	1569,1	1,3	P L 95 3 46.9	T 132S4	16,0	
31,0	31,3	1593,2	1,9	P L 105 3 31.3	T 132ML6	22,0	
30,9	47,3	1616,4	2,5	P - 150 2 47.3	T 132S4	38,0	
30,7	46,9	1591,1	1,3	P L 95 3 46.9	T 112BL4	16,0	
30,4	47,3	1639,3	2,5	P - 150 2 47.3	T 112BL4	38,0	
30,2	32,1	1633,8	2,9	P L 115 3 32.1	T 132ML6	26,0	
30,2	32,1	1652,8	2,1	P - 132 2 32.13	T 132ML6	30,0	
30,0	32,3	1661,5	1,1	P - 112 2 32.3	T 132ML6	16,5	
29,9	48,9	1671,0	1,0	P - 112 2 48.9	T 132S4	16,5	
29,8	98,4	1640,4	1,3	P L 95 3 98.4	T 132S2	16,0	
29,7	98,4	1646,5	1,3	P L 95 3 98.4	T 112B2	16,0	
29,5	32,9	1657,0	1,4	P L 95 3 32.9	T 132ML6	16,0	
29,5	48,9	1694,2	1,0	P - 112 2 48.9	T 112BL4	16,5	
29,4	49,7	1680,6	2,9	P L 115 3 49.7	T 132S4	26,0	
29,2	100,4	1692,0	1,8	P L 105 3 100.4	T 132S2	22,0	
29,1	100,4	1697,8	1,7	P L 105 3 100.4	T 112B2	22,0	
29,0	49,7	1704,3	2,8	P L 115 3 49.7	T 112BL4	26,0	
28,9	33,6	1726,1	1,8	P - 132 2 33.55	T 132ML6	30,0	
28,8	50,7	1714,3	1,6	P L 105 3 50.7	T 132S4	22,0	
28,4	50,7	1738,5	1,6	P L 105 3 50.7	T 112BL4	22,0	
28,2	103,9	1750,9	2,5	P L 115 3 103.9	T 132S2	26,0	
28,1	51,2	1737,3	1,0	P - 112 3 51.2	T 112BL4	11,8	



HIGH TECH *line* Motion

P ₁ Input Power kW	n ₂ Output speed min ⁻¹	IR ratio -	T ₂ Output torque Nm	FS' Service Factor -	 GEAR	 EU	P _{tn} Thermal capacity kW
5,5	28,1	103,9	1757,1	2,5	P L 115 3 103,9	T 112B2	26,0
	27,6	35,1	1805,4	2,7	P - 150 2 35,1	T 132ML6	38,0
	27,6	35,2	1791,4	1,7	P L 105 3 35,2	T 132ML6	22,0
	27,5	53,1	1814,4	1,2	P - 125 2 53,1	T 132S4	21,0
	27,1	53,1	1840,0	1,2	P - 125 2 53,1	T 112BL4	21,0
	26,9	108,4	1813,2	0,8	P - 112 3 108,4	T 112B2	11,8
	26,9	54,3	1836,1	2,7	P L 115 3 54,3	T 132S4	26,0
	26,7	54,7	1830,1	1,1	P L 95 3 54,7	T 132S4	16,0
	26,6	55,0	1859,6	1,6	P L 105 3 55	T 132S4	22,0
	26,5	54,3	1861,8	2,7	P L 115 3 54,3	T 112BL4	26,0
	26,5	110,5	1861,8	1,6	P L 105 3 110,5	T 132S2	22,0
	26,4	110,5	1868,1	1,6	P L 105 3 110,5	T 112B2	22,0
	26,3	54,7	1855,1	1,1	P L 95 3 54,7	T 112BL4	16,0
	26,3	36,9	1899,4	1,7	P - 132 2 36,92	T 132ML6	30,0
	26,2	55,0	1886,0	1,5	P L 105 3 55	T 112BL4	22,0
	25,6	114,3	1926,4	2,3	P L 115 3 114,3	T 132S2	26,0
	25,6	37,9	1929,5	2,5	P L 115 3 37,9	T 132ML6	26,0
	25,6	114,3	1932,4	2,3	P L 115 3 114,3	T 112B2	26,0
	25,4	38,2	1965,2	1,3	P - 125 2 38,2	T 132ML6	21,0
	25,4	57,5	1965,2	1,1	P - 125 2 57,5	T 132S4	21,0
	25,3	116,0	1933,7	1,1	P L 95 3 116	T 132S2	16,0
	25,2	38,5	1960,0	1,6	P L 105 3 38,5	T 132ML6	22,0
	25,2	116,0	1940,9	1,1	P L 95 3 116	T 112B2	16,0
	25,1	38,7	1991,2	2,4	P - 150 2 38,7	T 132ML6	38,0
	25,0	57,5	1992,8	1,1	P - 125 2 57,5	T 112BL4	21,0
	24,9	38,9	2000,6	0,9	P - 112 2 38,9	T 132ML6	16,5
	24,6	58,5	1984,1	0,9	P - 112 3 58,5	T 112BL4	11,8
	24,5	59,7	2018,5	2,5	P L 115 3 59,7	T 132S4	26,0
	24,2	121,2	2042,8	2,2	P L 115 3 121,2	T 132S2	26,0
	24,1	59,7	2047,0	2,4	P L 115 3 59,7	T 112BL4	26,0
	24,1	121,2	2049,5	2,2	P L 115 3 121,2	T 112B2	26,0
	24,0	40,5	2039,6	1,1	P L 95 3 40,5	T 132ML6	16,0
	23,9	40,6	2066,7	2,6	P L 115 3 40,6	T 132ML6	26,0
	23,8	40,7	2093,9	0,9	P - 112 2 40,7	T 132ML6	16,5
	23,7	40,9	2104,6	1,6	P - 132 2 40,91	T 132ML6	30,0
	23,3	62,7	2119,9	1,4	P L 105 3 62,7	T 132S4	22,0
	23,2	126,1	2124,5	1,4	P L 105 3 126,1	T 132S2	22,0
	23,2	126,1	2131,7	1,4	P L 105 3 126,1	T 112B2	22,0
	23,0	62,7	2149,6	1,3	P L 105 3 62,7	T 112BL4	22,0
	23,0	62,7	2126,6	0,8	P - 112 3 62,7	T 112BL4	11,8
	22,8	64,1	2167,5	2,2	P L 115 3 64,1	T 132S4	26,0
	22,7	42,8	2202,0	2,1	P - 150 2 42,8	T 132ML6	38,0
	22,5	64,1	2198,4	2,2	P L 115 3 64,1	T 112BL4	26,0
	22,3	65,4	2188,5	1,0	P L 95 3 65,4	T 132S4	16,0
	22,0	65,4	2218,6	1,0	P L 95 3 65,4	T 112BL4	16,0
	21,9	44,3	2278,4	1,1	P - 125 2 44,3	T 132ML6	21,0
	21,8	134,4	2240,5	0,9	P L 95 3 134,4	T 132S2	16,0
	21,7	134,4	2248,0	0,9	P L 95 3 134,4	T 112B2	16,0
	21,6	44,9	2285,9	1,3	P L 105 3 44,9	T 132ML6	22,0
	21,6	135,8	2287,9	2,0	P L 115 3 135,8	T 132S2	26,0
	21,5	135,8	2296,3	2,0	P L 115 3 135,8	T 112B2	26,0
	21,3	45,5	2315,9	2,4	P L 115 3 45,5	T 132ML6	26,0
	20,9	139,9	2357,8	1,3	P L 105 3 139,9	T 132S2	22,0
	20,9	139,9	2365,8	1,3	P L 105 3 139,9	T 112B2	22,0
	20,7	141,7	2387,5	2,8	P L 125 3 141,7	T 132S2	33,0
20,7	46,9	2362,2	1,0	P L 95 3 46,9	T 132ML6	16,0	
20,7	70,7	2390,9	1,2	P L 105 3 70,7	T 132S4	22,0	
20,6	141,7	2395,6	2,8	P L 125 3 141,7	T 112B2	33,0	
20,5	47,3	2432,8	1,8	P - 150 2 47,3	T 132ML6	38,0	
20,4	70,7	2424,0	1,2	P L 105 3 70,7	T 112BL4	22,0	
19,8	73,8	2496,1	2,0	P L 115 3 73,8	T 132S4	26,0	
19,8	148,2	2497,5	1,8	P L 115 3 148,2	T 132S2	26,0	
19,7	148,2	2506,3	1,8	P L 115 3 148,2	T 112B2	26,0	
19,7	74,2	2482,1	1,0	P L 95 3 74,2	T 132S4	16,0	
19,5	49,7	2529,3	2,1	P L 115 3 49,7	T 132ML6	26,0	
19,5	73,8	2530,6	2,0	P L 115 3 73,8	T 112BL4	26,0	
19,4	74,2	2516,7	1,0	P L 95 3 74,2	T 112BL4	16,0	
19,3	151,5	2444,4	1,3	P E 125 151,48	T 132S2	10,5	
19,3	75,7	2559,6	2,9	P L 125 3 75,7	T 132S4	33,0	
19,3	151,5	2451,9	1,3	P E 125 151,48	T 112B2	10,5	
19,1	50,7	2581,1	1,2	P L 105 3 50,7	T 132ML6	22,0	
19,0	153,9	2593,0	1,2	P L 105 3 153,9	T 132S2	22,0	
19,0	75,7	2595,8	2,9	P L 125 3 75,7	T 112BL4	33,0	
19,0	153,9	2602,9	1,2	P L 105 3 153,9	T 112B2	22,0	
18,9	155,1	2613,7	2,6	P L 125 3 155,1	T 132S2	33,0	
18,8	155,1	2622,0	2,6	P L 125 3 155,1	T 112B2	33,0	
18,5	158,6	2558,1	1,4	P E 132 158,56	T 132S2	12,0	
18,4	158,6	2566,3	1,4	P E 132 158,56	T 112B2	12,0	
18,3	79,8	2697,8	1,1	P L 105 3 79,8	T 132S4	22,0	
18,3	53,1	2731,3	0,9	P - 125 2 53,1	T 132ML6	21,0	
18,1	79,8	2735,4	1,1	P L 105 3 79,8	T 112BL4	22,0	
18,0	81,0	2740,0	2,7	P L 125 3 81	T 132S4	33,0	
18,0	81,3	2749,2	1,8	P L 115 3 81,3	T 132S4	26,0	
18,0	163,1	2749,1	1,6	P L 115 3 163,1	T 132S2	26,0	
17,9	163,1	2758,3	1,6	P L 115 3 163,1	T 112B2	26,0	
17,9	54,3	2764,5	2,0	P L 115 3 54,3	T 132ML6	26,0	
17,8	81,0	2776,8	2,7	P L 125 3 81	T 112BL4	33,0	
17,7	54,7	2754,8	0,8	P L 95 3 54,7	T 132ML6	16,0	
17,7	81,3	2787,9	1,8	P L 115 3 81,3	T 112BL4	26,0	
17,6	55,0	2798,7	1,1	P L 105 3 55	T 132ML6	22,0	
17,3	169,2	2850,4	1,1	P L 105 3 169,2	T 132S2	22,0	
17,3	169,2	2860,8	1,1	P L 105 3 169,2	T 112B2	22,0	
17,2	170,7	2877,2	2,3	P L 125 3 170,7	T 132S2	33,0	
17,1	170,7	2885,7	2,3	P L 125 3 170,7	T 112B2	33,0	
17,0	86,0	2877,1	0,8	P L 95 3 86	T 132S4	16,0	

P ₁ Input Power kW	n ₂ Output speed min ⁻¹	IR ratio -	T2 Ouput torque Nm	FS' Service Factor -	 GEAR	 EU	P _{tn} Thermal capacity kW
5,5	16,9	173,5	2798,8	1,3	P E 132 173,51	T 132S2	12,0
	16,9	57,5	2957,5	0,8	P - 125 2 57,5	T 132ML6	21,0
	16,8	173,5	2809,0	1,2	P E 132 173,51	T 112B2	12,0
	16,7	87,2	2949,5	1,7	P L 115 3 87,2	T 132S4	26,0
	16,7	86,0	2917,8	0,8	P L 95 3 86	T 112BL4	16,0
	16,7	87,4	2956,5	1,0	P L 105 3 87,4	T 132S4	22,0
	16,5	88,3	2987,0	2,5	P L 125 3 88,3	T 132S4	33,0
	16,5	87,2	2990,5	1,6	P L 115 3 87,2	T 112BL4	26,0
	16,5	87,4	2996,0	1,0	P L 105 3 87,4	T 112BL4	22,0
	16,3	88,3	3027,3	2,5	P L 125 3 88,3	T 112BL4	33,0
	16,3	59,7	3038,3	1,8	P L 115 3 59,7	T 132ML6	26,0
	16,1	90,6	3064,6	1,0	P L 105 3 90,6	T 132S4	22,0
	15,9	90,6	3107,3	1,0	P L 105 3 90,6	T 112BL4	22,0
	15,8	185,2	3121,1	1,0	P L 105 3 185,2	T 132S2	22,0
	15,8	185,6	2995,7	1,1	P E 125 185,62	T 132S2	10,5
	15,8	185,2	3130,6	1,0	P L 105 3 185,2	T 112B2	22,0
	15,7	185,6	3005,5	1,1	P E 125 185,62	T 112B2	10,5
	15,5	189,1	3187,5	2,1	P L 125 3 189,1	T 132S2	33,0
	15,5	62,7	3191,7	1,0	P L 105 3 62,7	T 132ML6	22,0
	15,4	189,1	3197,7	2,1	P L 125 3 189,1	T 112B2	33,0
	15,4	190,3	3206,0	1,4	P L 115 3 190,3	T 132S2	26,0
	15,3	190,3	3218,5	1,4	P L 115 3 190,3	T 112B2	26,0
	15,3	191,0	3081,5	1,1	P E 132 190,95	T 132S2	12,0
	15,3	191,0	3091,9	1,1	P E 132 190,95	T 112B2	12,0
	15,3	63,5	3231,3	2,5	P L 125 3 63,5	T 132ML6	33,0
	15,1	64,1	3263,2	1,6	P L 115 3 64,1	T 132ML6	26,0
	15,0	97,6	3300,3	2,3	P L 125 3 97,6	T 132S4	33,0
	14,8	97,6	3347,4	2,2	P L 125 3 97,6	T 112BL4	33,0
	14,6	201,0	3386,4	2,8	P L 135 3 201	T 132S2	40,0
	14,5	100,4	3395,7	1,0	P L 105 3 100,4	T 132S4	22,0
	14,3	100,4	3443,4	1,0	P L 105 3 100,4	T 112BL4	22,0
	14,1	103,9	3514,1	1,4	P L 115 3 103,9	T 132S4	26,0
	14,0	69,2	3521,6	2,3	P L 125 3 69,2	T 132ML6	33,0
	13,9	210,3	3544,3	1,3	P L 115 3 210,3	T 132S2	26,0
	13,9	210,3	3557,1	1,3	P L 115 3 210,3	T 112B2	26,0
	13,9	103,9	3562,5	1,4	P L 115 3 103,9	T 112BL4	26,0
	13,8	212,6	3430,8	1,0	P E 132 212,62	T 132S2	12,0
	13,8	106,2	3590,7	2,1	P L 125 3 106,2	T 132S4	33,0
	13,7	212,6	3443,0	1,0	P E 132 212,62	T 112B2	12,0
	13,7	70,7	3598,3	0,9	P L 105 3 70,7	T 132ML6	22,0
	13,6	215,0	3468,3	2,3	P E 170 215,02	T 132S2	21,0
	13,6	215,0	3481,0	2,3	P E 170 215,02	T 112B2	21,0
	13,6	106,2	3641,1	2,1	P L 125 3 106,2	T 112BL4	33,0
	13,5	216,6	3493,7	1,5	P E 150 216,61	T 132S2	16,0
	13,5	216,6	3506,9	1,5	P E 150 216,61	T 112B2	16,0
	13,3	110,1	3723,4	2,8	P L 135 3 110,1	T 132S4	40,0
	13,3	221,2	3726,3	2,5	P L 135 3 221,2	T 132S2	40,0
	13,2	110,5	3737,6	0,9	P L 105 3 110,5	T 132S4	22,0
	13,1	73,8	3757,3	1,4	P L 115 3 73,8	T 132ML6	26,0
	13,0	110,5	3789,1	0,9	P L 105 3 110,5	T 112BL4	22,0
12,9	227,3	3667,4	0,9	P E 125 227,28	T 132S2	10,5	
12,9	227,3	3678,9	0,9	P E 125 227,28	T 112B2	10,5	
12,8	75,7	3854,3	2,1	P L 125 3 75,7	T 132ML6	33,0	
12,8	114,3	3866,2	1,3	P L 115 3 114,3	T 132S4	26,0	
12,8	229,4	3866,6	1,2	P L 115 3 229,4	T 132S2	26,0	
12,7	229,4	3878,7	1,2	P L 115 3 229,4	T 112B2	26,0	
12,6	114,3	3918,5	1,3	P L 115 3 114,3	T 112BL4	26,0	
12,6	116,3	3934,2	1,9	P L 125 3 116,3	T 132S4	33,0	
12,5	234,0	3776,0	0,9	P E 132 234	T 132S2	12,0	
12,5	77,6	3949,8	2,9	P L 135 3 77,6	T 132ML6	40,0	
12,5	234,0	3787,9	0,9	P E 132 234	T 112B2	12,0	
12,4	116,3	3988,2	1,9	P L 125 3 116,3	T 112BL4	33,0	
12,2	79,8	4060,7	0,8	P L 105 3 79,8	T 132ML6	22,0	
12,1	121,2	4097,1	1,2	P L 115 3 121,2	T 132S4	26,0	
12,0	121,8	4117,9	2,6	P L 135 3 121,8	T 132S4	40,0	
12,0	81,0	4121,3	2,0	P L 125 3 81	T 132ML6	33,0	
12,0	245,1	4131,6	2,3	P L 135 3 245,1	T 132S2	40,0	
11,9	81,3	4138,5	1,3	P L 115 3 81,3	T 132ML6	26,0	
11,9	121,2	4156,0	1,2	P L 115 3 121,2	T 112BL4	26,0	
11,9	246,9	3982,5	2,9	P E 190 246,94	T 132S2	27,0	
11,9	246,9	3982,7	2,0	P E 170 246,94	T 132S2	21,0	
11,8	246,9	3999,4	2,9	P E 190 246,94	T 112B2	27,0	
11,8	246,9	3999,5	2,0	P E 170 246,94	T 112B2	21,0	
11,6	84,0	4274,7	2,7	P L 135 3 84	T 132ML6	40,0	
11,4	127,9	4323,4	1,7	P L 125 3 127,9	T 132S4	33,0	
11,3	127,9	4385,0	1,7	P L 125 3 127,9	T 112BL4	33,0	
11,3	260,3	4202,1	0,8	P E 132 260,34	T 132S2	12,0	
11,2	260,3	4213,2	0,8	P E 132 260,34	T 112B2	12,0	
11,1	87,2	4439,9	1,2	P L 115 3 87,2	T 132ML6	26,0	
11,0	265,4	4282,0	1,3	P E 150 265,44	T 132S2	16,0	
11,0	265,4	4297,5	1,3	P E 150 265,44	T 112B2	16,0	
11,0	88,3	4492,7	1,8	P L 125 3 88,3	T 132ML6	33,0	
11,0	267,7	4509,0	1,0	P L 115 3 267,7	T 132S2	26,0	
10,9	267,7	4525,5	1,0	P L 115 3 267,7	T 112B2	26,0	
10,9	268,9	4336,9	2,7	P E 190 268,91	T 132S2	27,0	
10,9	268,8	4337,0	1,9	P E 170 268,78	T 132S2	21,0	
10,9	134,1	4533,7	2,3	P L 135 3 134,1	T 132S4	40,0	
10,9	268,9	4352,8	2,6	P E 190 268,91	T 112B2	27,0	
10,9	268,8	4352,7	1,9	P E 170 268,78	T 112B2	21,0	
10,8	135,8	4592,5	1,1	P L 115 3 135,8	T 132S4	26,0	
10,6	91,4	4653,4	2,5	P L 135 3 91,4	T 132ML6	40,0	
10,6	135,8	4657,9	1,1	P L 115 3 135,8	T 112BL4	26,0	
10,4	280,9	4532,3	1,2	P E 150 280,94	T 132S2	16,0	
10,4	140,1	4738,3	2,2	P L 135 3 140,1	T 132S4	40,0	



HIGH TECH *line* Motion

P ₁ Input Power kW	n ₂ Output speed min ⁻¹	IR ratio -	T ₂ Output torque Nm	FS' Service Factor -			P _{tn} Thermal capacity kW
5,5	10,4	280,9	4549,6	1,2	P E 150 280,94	T 112B2	16,0
	10,3	141,7	4793,7	1,6	P L 125 3 141,7	T 132S4	33,0
	10,2	141,7	4859,8	1,5	P L 125 3 141,7	T 112BL4	33,0
	10,1	290,0	4888,4	0,9	P L 115 3 290	T 132S2	26,0
	10,1	290,0	4902,9	0,9	P L 115 3 290	T 112B2	26,0
	10,1	291,5	4703,7	2,4	P E 190 291,48	T 132S2	27,0
	10,0	291,5	4717,7	2,4	P E 190 291,48	T 112B2	27,0
	9,9	97,6	4967,2	1,6	P L 125 3 97,6	T 132ML6	33,0
	9,9	148,2	5012,8	1,0	P L 115 3 148,2	T 132S4	26,0
	9,7	148,2	5079,4	1,0	P L 115 3 148,2	T 112BL4	26,0
	9,7	302,0	4873,6	1,7	P E 170 301,96	T 132S2	21,0
	9,7	302,5	4878,5	2,4	P E 190 302,51	T 132S2	27,0
	9,7	100,1	5095,3	2,2	P L 135 3 100,1	T 132ML6	40,0
	9,7	302,0	4888,6	1,7	P E 170 301,96	T 112B2	21,0
	9,7	302,5	4898,5	2,3	P E 190 302,51	T 112B2	27,0
	9,5	153,3	5186,3	2,0	P L 135 3 153,3	T 132S4	40,0
	9,4	310,5	5007,6	1,1	P E 150 310,47	T 132S2	16,0
	9,4	155,1	5246,8	1,4	P L 125 3 155,1	T 132S4	33,0
	9,4	310,5	5023,7	1,1	P E 150 310,47	T 112B2	16,0
	9,3	103,9	5286,0	1,0	P L 115 3 103,9	T 132ML6	26,0
	9,3	155,1	5320,5	1,4	P L 125 3 155,1	T 112BL4	33,0
	9,2	317,4	5121,5	2,2	P E 190 317,42	T 132S2	27,0
	9,2	317,4	5138,5	2,2	P E 190 317,42	T 112B2	27,0
	9,1	106,2	5408,0	1,5	P L 125 3 106,2	T 132ML6	33,0
	9,0	325,0	5240,9	1,0	P E 150 325	T 132S2	16,0
	9,0	325,0	5264,1	1,0	P E 150 325	T 112B2	16,0
	9,0	163,1	5516,5	0,9	P L 115 3 163,1	T 132S4	26,0
	8,9	329,4	5317,4	2,2	P E 190 329,43	T 132S2	27,0
	8,9	329,4	5335,3	2,2	P E 190 329,43	T 112B2	27,0
	8,9	330,6	5335,3	1,5	P E 170 330,6	T 132S2	21,0
	8,8	330,6	5353,9	1,5	P E 170 330,6	T 112B2	21,0
	8,8	163,1	5591,7	0,9	P L 115 3 163,1	T 112BL4	26,0
	8,8	110,1	5604,4	2,0	P L 135 3 110,1	T 132ML6	40,0
	8,7	168,7	5707,6	1,8	P L 135 3 168,7	T 132S4	40,0
	8,6	170,7	5774,9	1,3	P L 125 3 170,7	T 132S4	33,0
	8,5	114,3	5815,1	0,9	P L 115 3 114,3	T 132ML6	26,0
	8,4	347,4	5600,8	2,1	P E 190 347,35	T 132S2	27,0
	8,4	170,7	5850,2	1,3	P L 125 3 170,7	T 112BL4	33,0
	8,4	347,4	5621,2	2,0	P E 190 347,35	T 112B2	27,0
	8,3	116,3	5920,5	1,4	P L 125 3 116,3	T 132ML6	33,0
	8,2	357,1	5765,2	2,0	P E 190 357,1	T 132S2	27,0
	8,2	357,1	5764,8	1,4	P E 170 357,1	T 132S2	21,0
	8,2	357,1	5778,9	2,0	P E 190 357,1	T 112B2	27,0
	8,2	357,1	5779,0	1,4	P E 170 357,1	T 112B2	21,0
	8,2	359,2	5792,9	0,9	P E 150 359,17	T 132S2	16,0
	8,1	359,2	5814,4	0,9	P E 150 359,17	T 112B2	16,0
	8,0	182,2	5901,8	2,1	P E 190 182,17	T 132S4	27,0
	8,0	121,2	6171,1	0,9	P L 115 3 121,2	T 132ML6	26,0
	8,0	121,8	6202,6	1,8	P L 135 3 121,8	T 132ML6	40,0
	8,0	183,7	6210,3	1,7	P L 135 3 183,7	T 132S4	40,0
	7,9	182,2	5984,0	2,1	P E 190 182,17	T 112BL4	27,0
	7,8	377,5	6091,9	1,3	P E 170 377,45	T 132S2	21,0
	7,7	377,5	6107,8	1,3	P E 170 377,45	T 112B2	21,0
	7,7	189,1	6395,3	1,2	P L 125 3 189,1	T 132S4	33,0
	7,7	380,8	6147,8	0,9	P E 150 380,82	T 132S2	16,0
7,7	380,8	6163,1	0,9	P E 150 380,82	T 112B2	16,0	
7,6	189,1	6479,7	1,2	P L 125 3 189,1	T 112BL4	33,0	
7,6	127,9	6513,7	1,3	P L 125 3 127,9	T 132ML6	33,0	
7,5	388,9	6277,9	1,8	P E 190 388,88	T 132S2	27,0	
7,5	388,9	6294,8	1,8	P E 190 388,88	T 112B2	27,0	
7,3	201,0	6800,5	1,5	P L 135 3 201	T 132S4	40,0	
7,2	134,1	6829,0	1,7	P L 135 3 134,1	T 132ML6	40,0	
7,2	409,3	6602,0	1,2	P E 170 409,33	T 132S2	21,0	
7,1	409,3	6630,5	1,2	P E 170 409,33	T 112B2	21,0	
6,9	210,7	6821,1	1,8	P E 190 210,74	T 132S4	27,0	
6,9	140,1	7135,1	1,6	P L 135 3 140,1	T 132ML6	40,0	
6,9	425,6	6860,8	1,7	P E 190 425,55	T 132S2	27,0	
6,9	425,6	6890,7	1,7	P E 190 425,55	T 112B2	27,0	
6,9	141,7	7207,7	1,1	P L 125 3 141,7	T 132ML6	33,0	
6,8	210,7	6921,4	1,8	P E 190 210,74	T 112BL4	27,0	
6,8	215,0	6962,0	1,3	P E 170 215,02	T 132S4	21,0	
6,7	216,6	7013,8	0,9	P E 150 216,61	T 132S4	16,0	
6,7	215,0	7055,3	1,3	P E 170 215,02	T 112BL4	21,0	
6,7	216,6	7109,0	0,8	P E 150 216,61	T 112BL4	16,0	
6,6	221,2	7480,6	1,4	P L 135 3 221,2	T 132S4	40,0	
6,6	445,6	7184,3	1,1	P E 170 445,6	T 132S2	21,0	
6,6	445,6	7216,9	1,1	P E 170 445,6	T 112B2	21,0	
6,5	448,2	7228,6	1,6	P E 190 448,15	T 132S2	27,0	
6,5	448,2	7250,1	1,6	P E 190 448,15	T 112B2	27,0	
6,3	153,3	7799,7	1,5	P L 135 3 153,3	T 132ML6	40,0	
6,3	155,1	7899,8	1,0	P L 125 3 155,1	T 132ML6	33,0	
6,1	483,2	7800,9	1,5	P E 190 483,23	T 132S2	27,0	
6,1	483,2	7800,7	1,0	P E 170 483,23	T 132S2	21,0	
6,0	483,2	7827,0	1,5	P E 190 483,23	T 112B2	27,0	
6,0	483,2	7826,8	1,0	P E 170 483,23	T 112B2	21,0	
6,0	245,1	8284,3	1,3	P L 135 3 245,1	T 132S4	40,0	
5,9	246,9	7998,8	1,6	P E 190 246,94	T 132S4	27,0	
5,9	246,9	7999,4	1,1	P E 170 246,94	T 132S4	21,0	
5,8	246,9	8108,3	1,5	P E 190 246,94	T 112BL4	27,0	
5,8	246,9	8108,1	1,1	P E 170 246,94	T 112BL4	21,0	
5,8	168,7	8586,8	1,3	P L 135 3 168,7	T 132ML6	40,0	
5,7	170,7	8693,3	0,9	P L 125 3 170,7	T 132ML6	33,0	
5,6	520,0	8396,2	1,0	P E 170 520,04	T 132S2	21,0	
5,6	520,0	8426,3	1,0	P E 170 520,04	T 112B2	21,0	
5,6	526,2	8486,5	1,4	P E 190 526,24	T 132S2	27,0	





P ₁ Input Power kW	n ₂ Output speed min ⁻¹	IR ratio -	T2 Ouput torque Nm	FS' Service Factor -	 GEAR	 EU	P _{tn} Thermal capacity kW
5,5	5,6	526,2	8517,4	1,4	P E 190 526,24	T 112B2	27,0
	5,4	268,9	8705,8	1,4	P E 190 268,91	T 132S4	27,0
	5,4	268,8	8705,6	1,0	P E 170 268,78	T 132S4	21,0
	5,4	268,8	8818,8	1,0	P E 170 268,78	T 112BL4	21,0
	5,4	268,9	8835,6	1,4	P E 190 268,91	T 112BL4	27,0
	5,3	182,2	8885,9	1,4	P E 190 182,17	T 132ML6	27,0
	5,3	183,7	9350,4	1,2	P L 135 3 183,7	T 132ML6	40,0
	5,2	559,2	9021,9	0,9	P E 170 559,19	T 132S2	21,0
	5,2	559,2	9056,7	0,9	P E 170 559,19	T 112B2	21,0
	5,1	189,1	9624,7	0,8	P L 125 3 189,1	T 132ML6	33,0
	5,1	575,9	9287,8	1,2	P E 190 575,86	T 132S2	27,0
	5,1	575,9	9323,4	1,2	P E 190 575,86	T 112B2	27,0
	5,0	291,5	9435,9	1,3	P E 190 291,48	T 132S4	27,0
	4,9	291,5	9569,9	1,3	P E 190 291,48	T 112BL4	27,0
	4,8	302,0	9767,2	0,9	P E 170 301,96	T 132S4	21,0
	4,8	302,5	9787,9	1,3	P E 190 302,51	T 132S4	27,0
	4,8	606,4	9788,0	1,2	P E 190 606,41	T 132S2	27,0
	4,8	201,0	10223,0	1,1	P L 135 3 201	T 132ML6	40,0
	4,8	606,4	9786,9	0,8	P E 170 606,41	T 132S2	21,0
	4,8	606,4	9807,7	1,2	P E 190 606,41	T 112B2	27,0
	4,8	606,4	9808,5	0,8	P E 170 606,41	T 112B2	21,0
	4,8	302,0	9909,9	0,9	P E 170 301,96	T 112BL4	21,0
	4,8	302,5	9930,7	1,3	P E 190 302,51	T 112BL4	27,0
	4,6	210,7	10276,5	1,2	P E 190 210,74	T 132ML6	27,0
	4,6	317,4	10276,5	1,2	P E 190 317,42	T 132S4	27,0
	4,5	317,4	10411,9	1,2	P E 190 317,42	T 112BL4	27,0
	4,5	215,0	10480,6	0,9	P E 170 215,02	T 132ML6	21,0
	4,4	660,4	10646,4	1,1	P E 190 660,37	T 132S2	27,0
	4,4	329,4	10670,5	1,2	P E 190 329,43	T 132S4	27,0
	4,4	660,4	10695,0	1,1	P E 190 660,37	T 112B2	27,0
	4,4	330,6	10695,8	0,8	P E 170 330,6	T 132S4	21,0
	4,4	221,2	11246,9	1,0	P L 135 3 221,2	T 132ML6	40,0
	4,4	329,4	10818,3	1,2	P E 190 329,43	T 112BL4	27,0
	4,4	330,6	10843,4	0,8	P E 170 330,6	T 112BL4	21,0
	4,2	347,4	11255,7	1,1	P E 190 347,35	T 132S4	27,0
	4,2	704,9	11363,6	1,0	P E 190 704,94	T 132S2	27,0
	4,2	347,4	11391,9	1,1	P E 190 347,35	T 112BL4	27,0
	4,1	704,9	11419,0	1,0	P E 190 704,94	T 112B2	27,0
	4,1	357,1	11558,5	1,1	P E 190 357,1	T 132S4	27,0
	4,0	357,1	11730,1	1,1	P E 190 357,1	T 112BL4	27,0
	4,0	245,1	12469,1	0,9	P L 135 3 245,1	T 132ML6	40,0
	3,9	246,9	12027,6	1,0	P E 190 246,94	T 132ML6	27,0
	3,9	756,8	12215,1	0,9	P E 190 756,78	T 132S2	27,0
	3,9	756,8	12245,9	0,9	P E 190 756,78	T 112B2	27,0
	3,8	388,9	12605,4	1,0	P E 190 388,88	T 132S4	27,0
	3,7	388,9	12776,4	1,0	P E 190 388,88	T 112BL4	27,0
	3,6	268,9	13095,2	1,0	P E 190 268,91	T 132ML6	27,0
	3,6	824,1	13279,4	0,9	P E 190 824,12	T 132S2	27,0
	3,5	824,1	13355,2	0,9	P E 190 824,12	T 112B2	27,0
	3,4	425,6	13783,1	0,9	P E 190 425,55	T 132S4	27,0
	3,4	425,6	13984,9	0,9	P E 190 425,55	T 112BL4	27,0
	3,3	291,5	14195,7	0,9	P E 190 291,48	T 132ML6	27,0
3,3	879,8	14197,5	0,8	P E 190 879,75	T 132S2	27,0	
3,3	879,8	14239,1	0,8	P E 190 879,75	T 112B2	27,0	
3,3	448,2	14501,2	0,9	P E 190 448,15	T 132S4	27,0	
3,2	448,2	14727,9	0,8	P E 190 448,15	T 112BL4	27,0	
3,2	302,5	14727,9	0,8	P E 190 302,51	T 132ML6	27,0	
3,1	317,4	15449,4	0,8	P E 190 317,42	T 132ML6	27,0	





HIGH TECH *line* Motion

P ₁ Input Power kW	n ₂ Output speed min ⁻¹	IR ratio -	T ₂ Ouput torque Nm	FS' Service Factor -			P _{tn} Thermal capacity kW
	1126,9	2,6	60,4	2,0	P - 71 2 2,6	T 112BL2	7,5
	976,7	3,0	69,7	1,1	P - 63 2 3	T 112BL2	5,6
	915,6	3,2	74,3	1,9	P - 71 2 3,2	T 112BL2	7,5
	771,1	3,8	88,2	1,8	P - 71 2 3,8	T 112BL2	7,5
	751,3	3,9	90,6	1,0	P - 63 2 3,9	T 112BL2	5,6
	681,4	4,3	99,9	1,8	P - 71 2 4,3	T 112BL2	7,5
	681,4	4,3	99,9	1,0	P - 63 2 4,3	T 112BL2	5,6
	586,0	5,0	116,1	0,9	P - 63 2 5	T 112BL2	5,6
	552,8	5,3	123,1	1,5	P - 71 2 5,3	T 112BL2	7,5
	540,7	2,7	125,8	2,6	P - 90 2 2,7	T 132M4	10,5
	523,2	5,6	130,0	1,0	P - 63 2 5,6	T 112BL2	5,6
	472,6	6,2	144,0	1,6	P - 71 2 6,2	T 112BL2	7,5
	472,6	6,2	144,0	0,9	P - 63 2 6,2	T 112BL2	5,6
	450,8	6,5	150,9	0,9	P - 63 2 6,5	T 112BL2	5,6
	412,7	7,1	164,9	1,6	P - 71 2 7,1	T 112BL2	7,5
	396,0	7,4	171,8	0,8	P - 63 2 7,4	T 112BL2	5,6
	375,6	7,8	181,1	2,9	P - 90 2 7,8	T 112BL2	10,5
	374,4	7,8	181,8	2,9	P - 90 2 7,8	T 132SL2	10,5
	366,3	8,0	185,8	0,8	P - 63 2 8	T 112BL2	5,6
	347,6	4,2	195,7	2,5	P - 90 2 4,2	T 132M4	10,5
	336,8	8,7	202,0	2,3	P - 90 2 8,7	T 112BL2	10,5
	336,8	8,7	202,0	1,4	P - 71 2 8,7	T 112BL2	7,5
	335,6	8,7	202,7	2,3	P - 90 2 8,7	T 132SL2	10,5
	320,9	4,6	212,1	2,8	P - 80 2 4,55	T 132M4	7,5
	315,1	9,3	216,0	2,1	P - 90 2 9,3	T 112BL2	10,5
	314,0	9,3	216,7	2,1	P - 90 2 9,3	T 132SL2	10,5
	311,7	9,4	218,3	2,8	P - 80 2 9,4	T 112BL2	7,5
	310,6	9,4	219,0	2,8	P - 80 2 9,4	T 132SL2	7,5
	302,1	9,7	225,3	2,9	P - 90 2 9,7	T 112BL2	10,5
	301,0	9,7	226,0	2,9	P - 90 2 9,7	T 132SL2	10,5
	291,8	10,0	233,2	2,5	P - 80 2 10,04	T 112BL2	7,5
	290,8	10,0	234,0	2,5	P - 80 2 10,04	T 132SL2	7,5
	287,3	10,2	236,9	1,6	P - 71 2 10,2	T 112BL2	7,5
	282,4	3,4	241,0	2,9	P - 112 2 3,4	T 160M6	16,5
	275,5	5,3	247,0	2,1	P - 90 2 5,3	T 132M4	10,5
	268,8	10,9	253,1	2,8	P - 90 2 10,9	T 112BL2	10,5
	267,9	10,9	254,0	2,8	P - 90 2 10,9	T 132SL2	10,5
	256,1	5,7	265,6	2,5	P - 80 2 5,7	T 132M4	7,5
	252,6	11,6	269,4	1,4	P - 71 2 11,6	T 112BL2	7,5
	252,2	11,6	269,9	2,2	P - 80 2 11,62	T 112BL2	7,5
	251,3	11,6	270,8	2,2	P - 80 2 11,62	T 132SL2	7,5
	247,5	5,9	275,0	2,0	P - 90 2 5,9	T 132M4	10,5
	240,0	4,0	283,5	3,0	P - 112 2 4	T 160M6	16,5
	238,2	12,3	285,6	2,6	P - 90 2 12,3	T 112BL2	10,5
	238,2	12,3	285,6	1,0	P - 71 2 12,3	T 112BL2	7,5
	237,4	12,3	286,6	2,6	P - 90 2 12,3	T 132SL2	10,5
	218,6	6,7	311,3	2,2	P - 80 2 6,68	T 132M4	7,5
	217,9	6,7	312,3	1,9	P - 90 2 6,7	T 132M4	10,5
	213,1	13,8	319,3	2,1	P - 80 2 13,75	T 112BL2	7,5
	212,4	13,8	320,4	2,1	P - 80 2 13,75	T 132SL2	7,5
	209,3	14,0	325,1	2,3	P - 90 2 14	T 112BL2	10,5
	209,3	14,0	325,1	1,2	P - 71 2 14	T 112BL2	7,5
	208,7	4,6	326,0	2,8	P - 112 2 4,6	T 160M6	16,5
	208,6	14,0	326,2	2,3	P - 90 2 14	T 132SL2	10,5
	202,2	7,2	336,5	2,0	P - 80 2 7,22	T 132M4	7,5
	198,8	14,7	342,3	2,0	P - 80 2 14,74	T 112BL2	7,5
	198,1	14,7	343,5	2,0	P - 80 2 14,74	T 132SL2	7,5
	187,2	7,8	363,5	1,8	P - 90 2 7,8	T 132M4	10,5
	184,8	7,9	368,2	2,9	P - 112 2 7,9	T 132M4	16,5
	183,1	16,0	371,6	2,0	P - 90 2 16	T 112BL2	10,5
	182,5	16,0	372,8	2,0	P - 90 2 16	T 132SL2	10,5
	182,0	16,1	373,9	1,1	P - 71 2 16,1	T 112BL2	7,5
	177,8	5,4	382,7	2,8	P - 125 2 5,4	T 160M6	21,0
	174,6	8,4	389,6	1,7	P - 80 2 8,36	T 132M4	7,5
	171,7	17,1	396,4	1,9	P - 80 2 17,07	T 112BL2	7,5
	171,4	17,1	397,1	1,9	P - 90 2 17,1	T 112BL2	10,5
	171,1	17,1	397,8	1,9	P - 80 2 17,07	T 132SL2	7,5
	170,8	17,1	398,5	1,9	P - 90 2 17,1	T 132SL2	10,5
	169,4	17,3	401,8	1,0	P - 71 2 17,3	T 112BL2	7,5
	167,8	8,7	405,4	1,4	P - 90 2 8,7	T 132M4	10,5
	164,0	8,9	414,8	2,7	P - 112 2 8,9	T 132M4	16,5
	158,8	18,5	428,5	1,9	P - 80 2 18,45	T 112BL2	7,5
	158,3	18,5	429,9	1,9	P - 80 2 18,45	T 132SL2	7,5
	157,4	6,1	432,3	2,2	P - 112 2 6,1	T 160M6	16,5
	157,0	9,3	433,4	1,3	P - 90 2 9,3	T 132M4	10,5
	156,7	18,7	434,3	1,0	P - 71 2 18,7	T 112BL2	7,5
	155,3	9,4	438,1	1,6	P - 80 2 9,4	T 132M4	7,5
	150,5	9,7	452,1	2,4	P - 112 2 9,7	T 132M4	16,5
	150,5	9,7	452,1	1,8	P - 90 2 9,7	T 132M4	10,5
	150,3	19,5	452,6	1,2	P - 80 2 19,49	T 112BL2	7,5
	149,8	19,5	454,2	1,2	P - 80 2 19,49	T 132SL2	7,5
	148,0	19,8	459,8	1,6	P - 90 2 19,8	T 112BL2	10,5
	147,7	6,5	460,7	2,8	P - 125 2 6,5	T 160M6	21,0
	147,5	19,8	461,4	1,6	P - 90 2 19,8	T 132SL2	10,5
	145,4	10,0	467,9	1,4	P - 80 2 10,04	T 132M4	7,5
	145,1	20,2	469,1	0,9	P - 71 2 20,2	T 112BL2	7,5
	142,7	20,5	476,8	1,1	P - 80 2 20,53	T 112BL2	7,5
	142,2	20,5	478,4	1,1	P - 80 2 20,53	T 132SL2	7,5
	141,2	6,8	482,0	2,1	P - 112 2 6,8	T 160M6	16,5
	136,9	21,4	497,0	1,5	P - 90 2 21,4	T 112BL2	10,5
	136,5	21,5	498,4	1,1	P - 80 2 21,46	T 112BL2	7,5
	136,5	21,4	498,7	1,5	P - 90 2 21,4	T 132SL2	10,5
	136,1	21,5	500,1	1,1	P - 80 2 21,46	T 132SL2	7,5
	135,0	21,7	504,0	2,9	P - 112 2 21,7	T 112BL2	16,5
	134,6	21,7	505,7	2,9	P - 112 2 21,7	T 132SL2	16,5



7,5



P ₁ Input Power kW	n ₂ Output speed min ⁻¹	IR ratio -	T ₂ Ouput torque Nm	FS' Service Factor -	 GEAR	 EU	P _{tn} Thermal capacity kW
7,5	133,9	10,9	508,0	1,7	P - 90 2 10,9	T 132M4	10,5
	133,8	21,9	508,6	0,8	P - 71 2 21,9	T 112BL2	7,5
	131,5	11,1	517,3	2,1	P - 112 2 11,1	T 132M4	16,5
	125,7	11,6	541,5	1,2	P - 80 2 11,62	T 132M4	7,5
	124,2	23,6	536,5	2,7	P L 95 3 23,6	T 112BL2	16,0
	123,7	23,6	538,4	2,7	P L 95 3 23,6	T 132SL2	16,0
	123,1	23,8	541,1	1,3	P L 85 3 23,8	T 112BL2	11,0
	122,7	23,8	542,9	1,3	P L 85 3 23,8	T 132SL2	11,0
	122,7	23,9	554,8	1,0	P - 80 2 23,89	T 112BL2	7,5
	122,2	23,9	556,7	1,0	P - 80 2 23,89	T 132SL2	7,5
	121,5	7,9	559,9	2,0	P - 112 2 7,9	T 160M6	16,5
	118,7	12,3	573,2	1,6	P - 90 2 12,3	T 132M4	10,5
	117,7	12,4	577,9	2,5	P - 112 2 12,4	T 132M4	16,5
	117,2	25,0	580,6	1,3	P - 90 2 25	T 112BL2	10,5
	117,1	8,2	581,2	2,8	P - 125 2 8,2	T 160M6	21,0
	116,8	25,0	582,6	1,3	P - 90 2 25	T 132SL2	10,5
	115,4	25,4	589,9	2,5	P - 112 2 25,4	T 112BL2	16,5
	115,0	25,4	591,9	2,5	P - 112 2 25,4	T 132SL2	16,5
	111,4	26,3	610,8	0,9	P - 80 2 26,3	T 112BL2	7,5
	111,0	26,3	612,8	0,9	P - 80 2 26,3	T 132SL2	7,5
	111,0	26,4	600,2	0,9	P L 65 3 26,4	T 112BL2	8,0
	107,9	8,9	630,8	1,7	P - 112 2 8,9	T 160M6	16,5
	106,9	27,4	622,9	2,6	P L 95 3 27,4	T 112BL2	16,0
	106,6	27,4	625,0	2,6	P L 95 3 27,4	T 132SL2	16,0
	106,6	27,5	625,2	1,4	P L 85 3 27,5	T 112BL2	11,0
	106,2	27,5	627,3	1,4	P L 85 3 27,5	T 132SL2	11,0
	106,2	13,8	640,8	1,2	P - 80 2 13,75	T 132M4	7,5
	105,8	27,7	643,3	1,2	P - 90 2 27,7	T 112BL2	10,5
	105,4	27,7	645,4	1,1	P - 90 2 27,7	T 132SL2	10,5
	104,3	14,0	652,4	1,4	P - 90 2 14	T 132M4	10,5
	103,2	28,4	659,1	0,8	P - 80 2 28,38	T 112BL2	7,5
	102,9	28,4	661,3	0,8	P - 80 2 28,38	T 132SL2	7,5
	100,7	14,5	675,8	2,3	P - 112 2 14,5	T 132M4	16,5
	100,7	29,1	675,8	2,2	P - 112 2 29,1	T 112BL2	16,5
	100,3	29,1	678,1	2,2	P - 112 2 29,1	T 132SL2	16,5
	99,1	14,7	687,0	1,1	P - 80 2 14,74	T 132M4	7,5
	99,0	9,7	687,5	1,6	P - 112 2 9,7	T 160M6	16,5
	97,0	30,2	701,3	2,8	P - 125 2 30,2	T 112BL2	21,0
	97,0	9,9	701,7	2,5	P - 125 2 9,9	T 160M6	21,0
	96,7	30,2	703,7	2,8	P - 125 2 30,2	T 132SL2	21,0
	96,7	15,1	703,7	2,7	P - 125 2 15,1	T 132M4	21,0
	96,1	30,5	708,3	1,0	P - 90 2 30,5	T 112BL2	10,5
	95,7	30,5	710,7	1,0	P - 90 2 30,5	T 132SL2	10,5
	91,3	16,0	745,7	1,2	P - 90 2 16	T 132M4	10,5
	90,7	32,3	750,1	1,9	P - 112 2 32,3	T 112BL2	16,5
	90,4	32,3	752,7	1,9	P - 112 2 32,3	T 132SL2	16,5
	89,6	16,3	759,7	2,1	P - 112 2 16,3	T 132M4	16,5
	89,1	32,9	747,9	2,5	P L 95 3 32,9	T 112BL2	16,0
	88,8	32,9	750,6	2,5	P L 95 3 32,9	T 132SL2	16,0
	86,5	11,1	786,7	1,4	P - 112 2 11,1	T 160M6	16,5
85,5	17,1	795,6	1,1	P - 80 2 17,07	T 132M4	7,5	
85,4	17,1	796,9	1,1	P - 90 2 17,1	T 132M4	10,5	
84,9	34,5	784,3	1,3	P L 85 3 34,5	T 112BL2	11,0	
84,6	34,5	787,0	1,3	P L 85 3 34,5	T 132SL2	11,0	
83,7	35,0	812,8	0,9	P - 90 2 35	T 112BL2	10,5	
83,4	35,0	815,6	0,9	P - 90 2 35	T 132SL2	10,5	
82,5	17,7	824,9	2,1	P - 112 2 17,7	T 132M4	16,5	
79,1	18,5	859,9	1,0	P - 80 2 18,45	T 132M4	7,5	
77,4	12,4	878,9	1,8	P - 112 2 12,4	T 160M6	16,5	
76,8	12,5	886,0	2,2	P - 125 2 12,5	T 160M6	21,0	
76,7	38,2	887,1	2,3	P - 125 2 38,2	T 112BL2	21,0	
76,4	38,2	890,1	2,3	P - 125 2 38,2	T 132SL2	21,0	
76,1	38,5	884,7	2,8	P L 105 3 38,5	T 112BL2	22,0	
75,8	38,5	887,7	2,8	P L 105 3 38,5	T 132SL2	22,0	
75,7	38,7	879,9	1,2	P L 85 3 38,7	T 112BL2	11,0	
75,5	38,7	882,8	1,2	P L 85 3 38,7	T 132SL2	11,0	
75,3	38,9	903,4	1,6	P - 112 2 38,9	T 112BL2	16,5	
75,1	38,9	906,5	1,6	P - 112 2 38,9	T 132SL2	16,5	
73,7	19,8	922,8	1,0	P - 90 2 19,8	T 132M4	10,5	
73,4	19,9	927,4	2,2	P - 125 2 19,9	T 132M4	21,0	
72,4	40,5	920,7	2,1	P L 95 3 40,5	T 112BL2	16,0	
72,3	20,2	941,4	1,9	P - 112 2 20,2	T 132M4	16,5	
72,1	40,5	923,9	2,0	P L 95 3 40,5	T 132SL2	16,0	
72,0	40,7	945,2	1,5	P - 112 2 40,7	T 112BL2	16,5	
71,7	40,7	948,5	1,5	P - 112 2 40,7	T 132SL2	16,5	
71,6	40,9	950,1	2,8	P - 132 2 40,91	T 112BL2	30,0	
71,4	40,9	953,3	2,8	P - 132 2 40,91	T 132SL2	30,0	
70,9	20,6	950,0	2,6	P L 105 3 20,6	T 132M4	22,0	
68,2	21,4	997,4	0,9	P - 90 2 21,4	T 132M4	10,5	
67,3	21,7	1011,3	1,7	P - 112 2 21,7	T 132M4	16,5	
67,1	43,7	993,5	1,1	P L 85 3 43,7	T 112BL2	11,0	
66,8	43,7	996,9	1,1	P L 85 3 43,7	T 132SL2	11,0	
66,2	14,5	1027,7	1,7	P - 112 2 14,5	T 160M6	16,5	
66,1	44,3	1028,7	1,9	P - 125 2 44,3	T 112BL2	21,0	
65,9	44,3	1032,4	1,9	P - 125 2 44,3	T 132SL2	21,0	
65,6	44,7	1038,0	1,4	P - 112 2 44,7	T 112BL2	16,5	
65,3	44,7	1041,7	1,4	P - 112 2 44,7	T 132SL2	16,5	
65,3	44,9	1031,7	2,4	P L 105 3 44,9	T 112BL2	22,0	
65,0	44,9	1035,3	2,4	P L 105 3 44,9	T 132SL2	22,0	
64,9	22,5	1037,5	2,5	P L 105 3 22,5	T 132M4	22,0	
63,6	15,1	1070,2	1,9	P - 125 2 15,1	T 160M6	21,0	
63,3	23,1	1075,1	2,8	P - 132 2 23,07	T 132M4	30,0	
62,5	46,9	1066,3	1,8	P L 95 3 46,9	T 112BL2	16,0	
62,3	46,9	1069,9	1,8	P L 95 3 46,9	T 132SL2	16,0	
61,9	23,6	1076,8	1,5	P L 95 3 23,6	T 132M4	16,0	



HIGH TECH *line* Motion

P ₁ Input Power kW	n ₂ Output speed min ⁻¹	IR ratio -	T ₂ Output torque Nm	FS' Service Factor -	 GEAR	 EU	P _{tn} Thermal capacity kW
	61,1	23,9	1102,1	2,3	P L 105 3 23.9	T 132M4	22,0
	59,9	48,9	1135,5	1,3	P - 112 2 48.9	T 112BL2	16,5
	59,7	48,9	1139,6	1,3	P - 112 2 48.9	T 132SL2	16,5
	58,9	16,3	1155,2	1,6	P - 112 2 16.3	T 160M6	16,5
	58,2	25,1	1169,7	1,8	P - 125 2 25.1	T 132M4	21,0
	57,8	50,7	1165,0	2,2	P L 105 3 50.7	T 112BL2	22,0
	57,6	50,7	1169,0	2,2	P L 105 3 50.7	T 132SL2	22,0
	57,5	25,4	1183,7	1,4	P - 112 2 25.4	T 132M4	16,5
	57,2	51,2	1163,9	1,2	P - 112 3 51.2	T 112BL2	11,8
	55,4	26,4	1228,0	2,4	P - 132 2 26.35	T 132M4	30,0
	55,2	53,1	1233,1	1,6	P - 125 2 53.1	T 112BL2	21,0
	55,0	53,1	1237,4	1,6	P - 125 2 53.1	T 132SL2	21,0
	55,0	17,5	1238,3	2,8	P - 132 2 17.47	T 160M6	30,0
	54,2	17,7	1254,5	1,4	P - 112 2 17.7	T 160M6	16,5
	53,6	54,7	1243,6	1,5	P L 95 3 54.7	T 112BL2	16,0
	53,4	54,7	1247,9	1,5	P L 95 3 54.7	T 132SL2	16,0
	53,3	27,4	1250,2	1,4	P L 95 3 27.4	T 132M4	16,0
	53,3	55,0	1263,9	2,1	P L 105 3 55	T 112BL2	22,0
	53,1	55,0	1268,1	2,1	P L 105 3 55	T 132SL2	22,0
	52,0	56,3	1280,0	0,8	P L 85 3 56.3	T 112BL2	11,0
	51,9	56,3	1284,3	0,8	P L 85 3 56.3	T 132SL2	11,0
	51,1	28,6	1318,8	2,0	P L 105 3 28.6	T 132M4	22,0
	51,0	57,5	1335,2	1,5	P - 125 2 57.5	T 112BL2	21,0
	50,8	57,5	1340,0	1,5	P - 125 2 57.5	T 132SL2	21,0
	50,7	18,9	1341,0	2,4	P - 132 2 18.92	T 160M6	30,0
	50,3	29,0	1351,7	2,4	P - 132 2 29	T 132M4	30,0
	50,2	29,1	1356,3	1,3	P - 112 2 29.1	T 132M4	16,5
	50,1	58,5	1329,8	1,1	P - 112 3 58.5	T 112BL2	11,8
	48,3	30,2	1407,6	1,6	P - 125 2 30.2	T 132M4	21,0
	48,2	19,9	1410,5	1,5	P - 125 2 19.9	T 160M6	21,0
	47,5	20,2	1431,9	1,3	P - 112 2 20.2	T 160M6	16,5
	46,7	62,7	1440,8	1,8	P L 105 3 62.7	T 112BL2	22,0
	46,7	62,7	1425,5	1,0	P - 112 3 62.7	T 112BL2	11,8
	46,7	31,3	1443,2	1,9	P L 105 3 31.3	T 132M4	22,0
	46,6	20,6	1444,8	1,9	P L 105 3 20.6	T 160M6	22,0
	46,6	62,7	1445,7	1,8	P L 105 3 62.7	T 132SL2	22,0
	46,1	20,8	1476,3	2,2	P - 132 2 20.83	T 160M6	30,0
	45,7	64,1	1472,9	2,9	P L 115 3 64.1	T 112BL2	26,0
	45,6	64,1	1478,1	2,9	P L 115 3 64.1	T 132SL2	26,0
	45,5	32,1	1480,4	3,0	P L 115 3 32.1	T 132M4	26,0
	45,4	32,1	1497,5	2,1	P - 132 2 32.13	T 132M4	30,0
	45,2	32,3	1505,3	1,2	P - 112 2 32.3	T 132M4	16,5
	44,8	65,4	1486,8	1,3	P L 95 3 65.4	T 112BL2	16,0
	44,7	65,4	1491,9	1,3	P L 95 3 65.4	T 132SL2	16,0
	44,4	32,9	1501,0	1,4	P L 95 3 32.9	T 132M4	16,0
	44,2	21,7	1538,1	1,2	P - 112 2 21.7	T 160M6	16,5
	43,5	33,6	1563,5	1,8	P - 132 2 33.55	T 132M4	30,0
	43,5	67,4	1532,3	0,9	P - 112 3 67.4	T 112BL2	11,8
	42,7	22,5	1577,8	1,8	P L 105 3 22.5	T 160M6	22,0
	41,6	23,1	1635,3	2,0	P - 132 2 23.07	T 160M6	30,0
	41,6	35,1	1635,7	2,7	P - 150 2 35.1	T 132M4	38,0
	41,5	35,2	1623,1	1,7	P L 105 3 35.2	T 132M4	22,0
	41,4	70,7	1624,8	1,6	P L 105 3 70.7	T 112BL2	22,0
	41,3	70,7	1630,2	1,6	P L 105 3 70.7	T 132SL2	22,0
	40,7	23,6	1637,4	1,1	P L 95 3 23.6	T 160M6	16,0
	40,4	72,6	1650,5	0,9	P - 112 3 72.6	T 112BL2	11,8
	40,2	23,9	1676,1	1,7	P L 105 3 23.9	T 160M6	22,0
	39,7	73,8	1695,9	2,7	P L 115 3 73.8	T 112BL2	26,0
	39,6	73,8	1701,5	2,6	P L 115 3 73.8	T 132SL2	26,0
	39,5	36,9	1720,8	1,7	P - 132 2 36.92	T 132M4	30,0
	39,5	74,2	1686,8	1,2	P L 95 3 74.2	T 112BL2	16,0
	39,4	74,2	1692,8	1,2	P L 95 3 74.2	T 132SL2	16,0
	38,5	37,9	1747,9	2,5	P L 115 3 37.9	T 132M4	26,0
	38,3	25,1	1778,9	1,3	P - 125 2 25.1	T 160M6	21,0
	38,2	38,2	1780,4	1,3	P - 125 2 38.2	T 132M4	21,0
	37,9	38,5	1775,4	1,6	P L 105 3 38.5	T 132M4	22,0
	37,8	25,4	1800,2	1,0	P - 112 2 25.4	T 160M6	16,5
	37,7	38,7	1803,4	2,4	P - 150 2 38.7	T 132M4	38,0
	37,5	38,9	1813,1	1,0	P - 112 2 38.9	T 132M4	16,5
	37,3	78,5	1784,9	0,8	P - 112 3 78.5	T 112BL2	11,8
	36,7	79,8	1833,6	1,5	P L 105 3 79.8	T 112BL2	22,0
	36,6	79,8	1840,1	1,5	P L 105 3 79.8	T 132SL2	22,0
	36,4	26,4	1867,8	1,7	P - 132 2 26.35	T 160M6	30,0
	36,1	40,5	1847,7	1,1	P L 95 3 40.5	T 132M4	16,0
	36,0	81,3	1868,2	2,4	P L 115 3 81.3	T 112BL2	26,0
	36,0	40,6	1872,3	2,7	P L 115 3 40.6	T 132M4	26,0
	35,9	81,3	1874,4	2,4	P L 115 3 81.3	T 132SL2	26,0
	35,9	40,7	1897,0	0,9	P - 112 2 40.7	T 132M4	16,5
	35,7	26,9	1886,4	2,4	P L 115 3 26.9	T 160M6	26,0
	35,7	40,9	1906,5	1,6	P - 132 2 40.91	T 132M4	30,0
	35,0	27,4	1900,9	1,0	P L 95 3 27.4	T 160M6	16,0
	34,9	27,5	1949,1	2,9	P - 150 2 27.5	T 160M6	38,0
	34,1	42,8	1994,8	2,2	P - 150 2 42.8	T 132M4	38,0
	34,1	86,0	1955,1	1,1	P L 95 3 86	T 112BL2	16,0
	34,0	86,0	1962,1	1,1	P L 95 3 86	T 132SL2	16,0
	33,6	87,2	2003,8	2,2	P L 115 3 87.2	T 112BL2	26,0
	33,6	28,6	2005,5	1,4	P L 105 3 28.6	T 160M6	22,0
	33,5	87,4	2008,5	1,4	P L 105 3 87.4	T 112BL2	22,0
	33,5	87,2	2010,4	2,2	P L 115 3 87.2	T 132SL2	26,0
	33,4	87,4	2015,1	1,4	P L 105 3 87.4	T 132SL2	22,0
	33,1	29,0	2055,6	1,7	P - 132 2 29	T 160M6	30,0
	33,0	29,1	2062,6	0,9	P - 112 2 29.1	T 160M6	16,5
	33,0	44,3	2064,3	1,1	P - 125 2 44.3	T 132M4	21,0
	32,8	29,3	2077,0	2,5	P - 150 2 29.3	T 160M6	38,0
	32,7	44,7	2083,3	0,8	P - 112 2 44.7	T 132M4	16,5



7,5



P ₁ Input Power kW	n ₂ Output speed min ⁻¹	IR ratio -	T2 Ouput torque Nm	FS' Service Factor -	 GEAR	 EU	P _{tn} Thermal capacity kW
7,5	32,5	44,9	2070,4	1,4	P L 105 3 44.9	T 132M4	22,0
	32,3	90,6	2081,9	1,4	P L 105 3 90.6	T 112BL2	22,0
	32,2	90,6	2089,0	1,4	P L 105 3 90.6	T 132SL2	22,0
	32,1	45,5	2098,1	2,4	P L 115 3 45.5	T 132M4	26,0
	31,8	30,2	2140,5	1,1	P - 125 2 30.2	T 160M6	21,0
	31,1	46,9	2139,7	1,0	P L 95 3 46.9	T 132M4	16,0
	30,9	47,3	2204,1	1,9	P - 150 2 47.3	T 132M4	38,0
	30,7	31,3	2195,2	1,4	P L 105 3 31.3	T 160M6	22,0
	29,9	97,6	2250,3	3,0	P L 125 3 97.6	T 132SL2	33,0
	29,9	32,1	2275,0	2,4	P - 150 2 32.1	T 160M6	38,0
	29,9	32,1	2251,0	2,1	P L 115 3 32.1	T 160M6	26,0
	29,9	32,1	2277,2	1,5	P - 132 2 32.13	T 160M6	30,0
	29,8	98,4	2236,9	0,9	P L 95 3 98.4	T 112BL2	16,0
	29,7	32,3	2289,6	0,8	P - 112 2 32.3	T 160M6	16,5
	29,7	98,4	2245,2	0,9	P L 95 3 98.4	T 132SL2	16,0
	29,4	49,7	2291,7	2,1	P L 115 3 49.7	T 132M4	26,0
	29,2	100,4	2307,3	1,3	P L 105 3 100.4	T 112BL2	22,0
	29,2	32,9	2282,7	1,0	P L 95 3 32.9	T 160M6	16,0
	29,1	100,4	2315,2	1,3	P L 105 3 100.4	T 132SL2	22,0
	28,8	50,7	2337,7	1,2	P L 105 3 50.7	T 132M4	22,0
	28,6	33,6	2378,2	1,3	P - 132 2 33.55	T 160M6	30,0
	28,2	103,9	2387,6	1,8	P L 115 3 103.9	T 112BL2	26,0
	28,1	103,9	2396,0	1,8	P L 115 3 103.9	T 132SL2	26,0
	27,6	106,2	2440,2	2,8	P L 125 3 106.2	T 112BL2	33,0
	27,5	106,2	2448,3	2,8	P L 125 3 106.2	T 132SL2	33,0
	27,5	53,1	2474,1	0,9	P - 125 2 53.1	T 132M4	21,0
	27,4	35,1	2487,9	1,9	P - 150 2 35.1	T 160M6	38,0
	27,3	35,2	2469,0	1,2	P L 105 3 35.2	T 160M6	22,0
	26,9	54,3	2503,8	2,0	P L 115 3 54.3	T 132M4	26,0
	26,7	54,7	2495,6	0,8	P L 95 3 54.7	T 132M4	16,0
	26,6	55,0	2535,9	1,1	P L 105 3 55	T 132M4	22,0
	26,5	110,5	2538,8	1,2	P L 105 3 110.5	T 112BL2	22,0
	26,4	110,5	2547,5	1,2	P L 105 3 110.5	T 132SL2	22,0
	26,0	36,9	2617,0	1,2	P - 132 2 36.92	T 160M6	30,0
	25,6	114,3	2626,9	1,7	P L 115 3 114.3	T 112BL2	26,0
	25,6	114,3	2635,1	1,7	P L 115 3 114.3	T 132SL2	26,0
	25,4	57,5	2679,9	0,8	P - 125 2 57.5	T 132M4	21,0
	25,3	37,9	2657,9	1,8	P L 115 3 37.9	T 160M6	26,0
	25,2	116,3	2672,8	2,5	P L 125 3 116.3	T 112BL2	33,0
	25,1	38,2	2707,7	0,9	P - 125 2 38.2	T 160M6	21,0
	25,1	116,3	2681,3	2,5	P L 125 3 116.3	T 132SL2	33,0
	24,9	38,5	2699,5	1,1	P L 105 3 38.5	T 160M6	22,0
	24,8	38,7	2742,6	1,7	P - 150 2 38.7	T 160M6	38,0
	24,5	59,7	2752,5	1,8	P L 115 3 59.7	T 132M4	26,0
	24,2	121,2	2785,6	1,6	P L 115 3 121.2	T 112BL2	26,0
	24,1	121,2	2794,8	1,6	P L 115 3 121.2	T 132SL2	26,0
	23,9	40,2	2819,4	2,9	P L 125 3 40.2	T 160M6	33,0
	23,7	40,5	2810,5	0,8	P L 95 3 40.5	T 160M6	16,0
	23,7	40,6	2846,9	1,9	P L 115 3 40.6	T 160M6	26,0
	23,5	40,9	2899,1	1,1	P - 132 2 40.91	T 160M6	30,0
23,3	62,7	2890,7	1,0	P L 105 3 62.7	T 132M4	22,0	
23,2	126,1	2897,0	1,1	P L 105 3 126.1	T 112BL2	22,0	
23,2	126,1	2906,9	1,1	P L 105 3 126.1	T 132SL2	22,0	
23,0	63,5	2928,6	2,6	P L 125 3 63.5	T 132M4	33,0	
22,9	127,9	2938,7	2,3	P L 125 3 127.9	T 112BL2	33,0	
22,8	127,9	2949,1	2,3	P L 125 3 127.9	T 132SL2	33,0	
22,8	64,1	2955,7	1,6	P L 115 3 64.1	T 132M4	26,0	
22,4	42,8	3033,6	1,5	P - 150 2 42.8	T 160M6	38,0	
21,9	43,8	3071,5	2,7	P L 125 3 43.8	T 160M6	33,0	
21,6	135,8	3119,8	1,4	P L 115 3 135.8	T 112BL2	26,0	
21,5	135,8	3131,4	1,4	P L 115 3 135.8	T 132SL2	26,0	
21,4	44,9	3148,9	1,0	P L 105 3 44.9	T 160M6	22,0	
21,1	69,2	3190,9	2,4	P L 125 3 69.2	T 132M4	33,0	
21,1	45,5	3190,8	1,7	P L 115 3 45.5	T 160M6	26,0	
20,9	139,9	3215,2	1,0	P L 105 3 139.9	T 112BL2	22,0	
20,9	139,9	3226,0	0,9	P L 105 3 139.9	T 132SL2	22,0	
20,8	140,1	3230,7	2,9	P L 135 3 140.1	T 132SL2	40,0	
20,7	141,7	3255,6	2,1	P L 125 3 141.7	T 112BL2	33,0	
20,7	70,7	3260,4	0,9	P L 105 3 70.7	T 132M4	22,0	
20,6	141,7	3266,8	2,1	P L 125 3 141.7	T 132SL2	33,0	
20,3	47,3	3352,0	1,3	P - 150 2 47.3	T 160M6	38,0	
19,8	73,8	3403,8	1,5	P L 115 3 73.8	T 132M4	26,0	
19,8	148,2	3405,7	1,3	P L 115 3 148.2	T 112BL2	26,0	
19,7	148,2	3417,7	1,3	P L 115 3 148.2	T 132SL2	26,0	
19,3	151,5	3333,3	1,0	P E 125 151.48	T 112BL2	10,5	
19,3	49,7	3485,0	1,5	P L 115 3 49.7	T 160M6	26,0	
19,3	75,7	3490,3	2,1	P L 125 3 75.7	T 132M4	33,0	
19,3	151,5	3343,5	1,0	P E 125 151.48	T 132SL2	10,5	
19,1	153,3	3534,2	2,7	P L 135 3 153.3	T 132SL2	40,0	
19,0	153,9	3535,9	0,9	P L 105 3 153.9	T 112BL2	22,0	
19,0	153,9	3549,4	0,9	P L 105 3 153.9	T 132SL2	22,0	
18,9	50,7	3556,9	0,9	P L 105 3 50.7	T 160M6	22,0	
18,9	155,1	3564,1	1,9	P L 125 3 155.1	T 112BL2	33,0	
18,8	155,1	3575,5	1,9	P L 125 3 155.1	T 132SL2	33,0	
18,8	77,6	3579,4	2,9	P L 135 3 77.6	T 132M4	40,0	
18,7	51,3	3598,4	2,3	P L 125 3 51.3	T 160M6	33,0	
18,5	158,6	3488,4	1,0	P E 132 158.56	T 112BL2	12,0	
18,4	158,6	3499,5	1,0	P E 132 158.56	T 132SL2	12,0	
18,3	79,8	3678,9	0,8	P L 105 3 79.8	T 132M4	22,0	
18,0	81,0	3736,3	2,0	P L 125 3 81	T 132M4	33,0	
18,0	81,3	3748,9	1,3	P L 115 3 81.3	T 132M4	26,0	
18,0	163,1	3748,8	1,2	P L 115 3 163.1	T 112BL2	26,0	
17,9	163,1	3761,3	1,2	P L 115 3 163.1	T 132SL2	26,0	
17,7	54,3	3808,1	1,4	P L 115 3 54.3	T 160M6	26,0	



HIGH TECH *line* Motion

P ₁ Input Power kW	n ₂ Output speed min ⁻¹	IR ratio -	T ₂ Output torque Nm	FS' Service Factor -			P _{tn} Thermal capacity kW
7,5	17.5	55.0	3858.1	0.8	P L 105 3 55	T 160M6	22.0
	17.4	84.0	3873.8	2.7	P L 135 3 84	T 132M4	40.0
	17.3	169.2	3887.0	0.8	P L 105 3 169.2	T 112BL2	22.0
	17.3	168.7	3889.5	2.4	P L 135 3 168.7	T 132SL2	40.0
	17.3	169.2	3901.1	0.8	P L 105 3 169.2	T 132SL2	22.0
	17.2	170.7	3923.5	1.7	P L 125 3 170.7	T 112BL2	33.0
	17.1	170.7	3935.1	1.7	P L 125 3 170.7	T 132SL2	33.0
	16.9	173.5	3816.5	0.9	P E 132 173.51	T 112BL2	12.0
	16.8	173.5	3830.4	0.9	P E 132 173.51	T 132SL2	12.0
	16.8	57.2	4012.3	2.0	P L 125 3 57.2	T 160M6	33.0
	16.7	87.2	4022.1	1.2	P L 115 3 87.2	T 132M4	26.0
	16.6	57.8	4053.5	2.8	P L 135 3 57.8	T 160M6	40.0
	16.5	88.3	4073.1	1.8	P L 125 3 88.3	T 132M4	33.0
	16.1	182.2	4008.8	2.9	P E 190 182.17	T 112BL2	27.0
	16.1	59.7	4186.8	1.3	P L 115 3 59.7	T 160M6	26.0
	16.0	182.2	4021.4	2.9	P E 190 182.17	T 132SL2	27.0
	16.0	91.4	4216.0	2.5	P L 135 3 91.4	T 132M4	40.0
	15.9	183.7	4234.4	2.2	P L 135 3 183.7	T 132SL2	40.0
	15.5	189.1	4346.6	1.6	P L 125 3 189.1	T 112BL2	33.0
	15.4	189.1	4360.5	1.5	P L 125 3 189.1	T 132SL2	33.0
	15.4	190.3	4371.8	1.0	P L 115 3 190.3	T 112BL2	26.0
	15.3	190.3	4388.8	1.0	P L 115 3 190.3	T 132SL2	26.0
	15.3	191.0	4202.0	0.8	P E 132 190.95	T 112BL2	12.0
	15.3	191.0	4216.2	0.8	P E 132 190.95	T 132SL2	12.0
	15.1	63.5	4452.8	1.8	P L 125 3 63.5	T 160M6	33.0
	15.0	64.1	4494.7	1.2	P L 115 3 64.1	T 160M6	26.0
	15.0	97.6	4500.4	1.7	P L 125 3 97.6	T 132M4	33.0
	14.8	65.1	4564.7	2.5	P L 135 3 65.1	T 160M6	40.0
	14.6	100.1	4614.7	2.3	P L 135 3 100.1	T 132M4	40.0
	14.5	201.0	4633.6	2.0	P L 135 3 201	T 132SL2	40.0
	14.1	103.9	4792.0	1.0	P L 115 3 103.9	T 132M4	26.0
	13.9	210.3	4833.2	0.9	P L 115 3 210.3	T 112BL2	26.0
	13.9	210.7	4637.6	2.5	P E 190 210.74	T 112BL2	27.0
	13.9	210.3	4850.5	0.9	P L 115 3 210.3	T 132SL2	26.0
	13.9	69.2	4854.0	1.7	P L 125 3 69.2	T 160M6	33.0
	13.9	210.7	4650.8	2.5	P E 190 210.74	T 132SL2	27.0
	13.8	106.2	4896.4	1.5	P L 125 3 106.2	T 132M4	33.0
	13.6	215.0	4729.5	1.7	P E 170 215.02	T 112BL2	21.0
	13.6	215.0	4746.8	1.7	P E 170 215.02	T 132SL2	21.0
	13.5	216.6	4764.1	1.1	P E 150 216.61	T 112BL2	16.0
	13.5	216.6	4782.1	1.1	P E 150 216.61	T 132SL2	16.0
	13.3	110.1	5077.4	2.1	P L 135 3 110.1	T 132M4	40.0
	13.2	221.2	5100.4	1.9	P L 135 3 221.2	T 132SL2	40.0
	13.0	73.8	5174.9	1.1	P L 115 3 73.8	T 160M6	26.0
	12.8	114.3	5272.0	0.9	P L 115 3 114.3	T 132M4	26.0
	12.8	229.4	5272.6	0.9	P L 115 3 229.4	T 112BL2	26.0
	12.7	229.4	5289.1	0.9	P L 115 3 229.4	T 132SL2	26.0
	12.7	75.7	5309.7	1.5	P L 125 3 75.7	T 160M6	33.0
	12.6	116.3	5364.8	1.4	P L 125 3 116.3	T 132M4	33.0
	12.4	77.6	5442.9	2.1	P L 135 3 77.6	T 160M6	40.0
12.1	121.2	5587.0	0.9	P L 115 3 121.2	T 132M4	26.0	
12.0	121.8	5615.4	1.9	P L 135 3 121.8	T 132M4	40.0	
11.9	245.1	5652.8	1.7	P L 135 3 245.1	T 132SL2	40.0	
11.9	246.9	5430.7	2.1	P E 190 246.94	T 112BL2	27.0	
11.9	246.9	5430.9	1.5	P E 170 246.94	T 112BL2	21.0	
11.9	81.0	5681.5	1.4	P L 125 3 81	T 160M6	33.0	
11.8	246.9	5453.7	2.1	P E 190 246.94	T 132SL2	27.0	
11.8	246.9	5453.8	1.5	P E 170 246.94	T 132SL2	21.0	
11.8	81.3	5700.9	1.0	P L 115 3 81.3	T 160M6	26.0	
11.4	84.0	5890.5	1.9	P L 135 3 84	T 160M6	40.0	
11.4	127.9	5895.6	1.3	P L 125 3 127.9	T 132M4	33.0	
11.0	265.4	5839.1	0.9	P E 150 265.44	T 112BL2	16.0	
11.0	87.2	6115.5	0.9	P L 115 3 87.2	T 160M6	26.0	
11.0	265.4	5860.2	0.9	P E 150 265.44	T 132SL2	16.0	
10.9	268.9	5914.0	1.9	P E 190 268.91	T 112BL2	27.0	
10.9	268.8	5914.1	1.4	P E 170 268.78	T 112BL2	21.0	
10.9	134.1	6182.3	1.7	P L 135 3 134.1	T 132M4	40.0	
10.9	88.3	6194.0	1.3	P L 125 3 88.3	T 160M6	33.0	
10.9	268.9	5935.6	1.9	P E 190 268.91	T 132SL2	27.0	
10.9	268.8	5935.5	1.4	P E 170 268.78	T 132SL2	21.0	
10.5	91.4	6412.0	1.8	P L 135 3 91.4	T 160M6	40.0	
10.4	280.9	6180.4	0.9	P E 150 280.94	T 112BL2	16.0	
10.4	140.1	6461.3	1.6	P L 135 3 140.1	T 132M4	40.0	
10.4	280.9	6204.0	0.9	P E 150 280.94	T 132SL2	16.0	
10.3	141.7	6536.9	1.1	P L 125 3 141.7	T 132M4	33.0	
10.1	291.5	6414.1	1.8	P E 190 291.48	T 112BL2	27.0	
10.0	291.5	6433.2	1.8	P E 190 291.48	T 132SL2	27.0	
9.8	97.6	6842.3	1.2	P L 125 3 97.6	T 160M6	33.0	
9.7	302.0	6645.9	1.2	P E 170 301.96	T 112BL2	21.0	
9.7	302.5	6652.5	1.7	P E 190 302.51	T 112BL2	27.0	
9.7	302.0	6666.3	1.2	P E 170 301.96	T 132SL2	21.0	
9.7	302.5	6679.8	1.7	P E 190 302.51	T 132SL2	27.0	
9.6	100.1	7020.4	1.6	P L 135 3 100.1	T 160M6	40.0	
9.5	153.3	7072.3	1.5	P L 135 3 153.3	T 132M4	40.0	
9.4	155.1	7154.7	1.0	P L 125 3 155.1	T 132M4	33.0	
9.2	317.4	6983.8	1.6	P E 190 317.42	T 112BL2	27.0	
9.2	317.4	7007.1	1.6	P E 190 317.42	T 132SL2	27.0	
9.0	106.2	7448.0	1.1	P L 125 3 106.2	T 160M6	33.0	
8.9	329.4	7250.9	1.6	P E 190 329.43	T 112BL2	27.0	
8.9	329.4	7275.4	1.6	P E 190 329.43	T 132SL2	27.0	
8.9	330.6	7275.4	1.1	P E 170 330.6	T 112BL2	21.0	
8.8	330.6	7300.8	1.1	P E 170 330.6	T 132SL2	21.0	
8.7	110.1	7720.8	1.5	P L 135 3 110.1	T 160M6	40.0	
8.7	168.7	7783.2	1.3	P L 135 3 168.7	T 132M4	40.0	
8.6	170.7	7874.8	1.0	P L 125 3 170.7	T 132M4	33.0	





P ₁ Input Power kW	n ₂ Output speed min ⁻¹	IR ratio -	T2 Ouput torque Nm	FS' Service Factor -	 GEAR	 EU	P _{tn} Thermal capacity kW
7,5	8,4	347,4	7637,5	1,5	P E 190 347,35	T 112BL2	27,0
	8,4	347,4	7665,3	1,5	P E 190 347,35	T 132SL2	27,0
	8,3	116,3	8160,5	1,0	P L 125 3 116,3	T 160M6	33,0
	8,2	357,1	7861,6	1,5	P E 190 357,1	T 112BL2	27,0
	8,2	357,1	7861,0	1,0	P E 170 357,1	T 112BL2	21,0
	8,2	357,1	7880,3	1,5	P E 190 357,1	T 132SL2	27,0
	8,2	357,1	7880,4	1,0	P E 170 357,1	T 132SL2	21,0
	8,0	182,2	8047,9	1,6	P E 190 182,17	T 132M4	27,0
	8,0	183,7	8468,7	1,2	P L 135 3 183,7	T 132M4	40,0
	7,9	121,8	8544,0	1,3	P L 135 3 121,8	T 160M6	40,0
	7,8	377,5	8307,1	1,0	P E 170 377,45	T 112BL2	21,0
	7,7	377,5	8328,8	1,0	P E 170 377,45	T 132SL2	21,0
	7,7	189,1	8720,9	0,9	P L 125 3 189,1	T 132M4	33,0
	7,5	388,9	8560,8	1,3	P E 190 388,88	T 112BL2	27,0
	7,5	388,9	8583,8	1,3	P E 190 388,88	T 132SL2	27,0
	7,5	127,9	8965,5	0,9	P L 125 3 127,9	T 160M6	33,0
	7,3	201,0	9273,4	1,1	P L 135 3 201	T 132M4	40,0
	7,2	134,1	9403,2	1,2	P L 135 3 134,1	T 160M6	40,0
	7,2	409,3	9002,7	0,9	P E 170 409,33	T 112BL2	21,0
	7,1	409,3	9041,5	0,9	P E 170 409,33	T 132SL2	21,0
	6,9	210,7	9301,5	1,3	P E 190 210,74	T 132M4	27,0
	6,9	425,6	9355,7	1,2	P E 190 425,55	T 112BL2	27,0
	6,9	425,6	9396,4	1,2	P E 190 425,55	T 132SL2	27,0
	6,9	140,1	9828,9	1,2	P L 135 3 140,1	T 160M6	40,0
	6,8	215,0	9493,7	0,9	P E 170 215,02	T 132M4	21,0
	6,8	141,7	9945,2	0,8	P L 125 3 141,7	T 160M6	33,0
	6,6	221,2	10200,8	1,0	P L 135 3 221,2	T 132M4	40,0
	6,6	445,6	9796,8	0,8	P E 170 445,6	T 112BL2	21,0
	6,6	445,6	9841,2	0,8	P E 170 445,6	T 132SL2	21,0
	6,5	448,2	9857,1	1,2	P E 190 448,15	T 112BL2	27,0
	6,5	448,2	9886,5	1,2	P E 190 448,15	T 132SL2	27,0
	6,3	153,3	10754,7	1,1	P L 135 3 153,3	T 160M6	40,0
	6,1	483,2	10637,6	1,1	P E 190 483,23	T 112BL2	27,0
	6,0	483,2	10673,2	1,1	P E 190 483,23	T 132SL2	27,0
	6,0	245,1	11296,8	0,9	P L 135 3 245,1	T 132M4	40,0
	5,9	246,9	10907,5	1,1	P E 190 246,94	T 132M4	27,0
	5,9	246,9	10908,2	0,8	P E 170 246,94	T 132M4	21,0
	5,7	168,7	11832,1	1,0	P L 135 3 168,7	T 160M6	40,0
	5,6	526,2	11572,5	1,0	P E 190 526,24	T 112BL2	27,0
	5,6	526,2	11614,6	1,0	P E 190 526,24	T 132SL2	27,0
	5,4	268,9	11871,6	1,1	P E 190 268,91	T 132M4	27,0
	5,3	182,2	12232,5	1,0	P E 190 182,17	T 160M6	27,0
	5,2	183,7	12873,1	0,9	P L 135 3 183,7	T 160M6	40,0
	5,1	575,9	12665,2	0,9	P E 190 575,86	T 112BL2	27,0
	5,1	575,9	12713,7	0,9	P E 190 575,86	T 132SL2	27,0
	5,0	291,5	12867,1	1,0	P E 190 291,48	T 132M4	27,0
	4,8	302,5	13347,1	0,9	P E 190 302,51	T 132M4	27,0
	4,8	606,4	13347,3	0,9	P E 190 606,41	T 112BL2	27,0
4,8	606,4	13374,2	0,9	P E 190 606,41	T 132SL2	27,0	
4,8	201,0	14084,7	0,8	P L 135 3 201	T 160M6	40,0	
4,6	317,4	14013,5	0,9	P E 190 317,42	T 132M4	27,0	
4,6	210,7	14136,0	0,9	P E 190 210,74	T 160M6	27,0	
4,4	329,4	14550,7	0,9	P E 190 329,43	T 132M4	27,0	
4,2	347,4	15348,7	0,8	P E 190 347,35	T 132M4	27,0	







HIGH TECH *line* Motion

P ₁ Input Power kW	n ₂ Output speed min ⁻¹	IR ratio -	T ₂ Output torque Nm	FS' Service Factor -	 GEAR	 EU	P _{tn} Thermal capacity kW
	540,7	2,7	154,4	2,1	P - 90 2 2.7	T 132ML4	10,5
	347,6	4,2	240,1	2,0	P - 90 2 4.2	T 132ML4	10,5
	320,9	4,6	260,1	2,3	P - 80 2 4.55	T 132ML4	7,5
	275,5	5,3	303,0	1,7	P - 90 2 5.3	T 132ML4	10,5
	256,1	5,7	325,9	2,1	P - 80 2 5.7	T 132ML4	7,5
	247,5	5,9	337,3	1,7	P - 90 2 5.9	T 132ML4	10,5
	239,3	6,1	348,7	2,7	P - 112 2 6.1	T 132ML4	16,5
	218,6	6,7	381,9	1,8	P - 80 2 6.68	T 132ML4	7,5
	217,9	6,7	383,0	1,6	P - 90 2 6.7	T 132ML4	10,5
	214,7	6,8	388,7	2,5	P - 112 2 6.8	T 132ML4	16,5
	202,2	7,2	412,7	1,6	P - 80 2 7.22	T 132ML4	7,5
	187,2	7,8	445,9	1,5	P - 90 2 7.8	T 132ML4	10,5
	184,8	7,9	451,6	2,3	P - 112 2 7.9	T 132ML4	16,5
	174,6	8,4	477,9	1,4	P - 80 2 8.36	T 132ML4	7,5
	167,8	8,7	497,3	1,1	P - 90 2 8.7	T 132ML4	10,5
	164,0	8,9	508,8	2,2	P - 112 2 8.9	T 132ML4	16,5
	157,0	9,3	531,7	1,1	P - 90 2 9.3	T 132ML4	10,5
	155,3	9,4	537,4	1,3	P - 80 2 9.4	T 132ML4	7,5
	150,5	9,7	554,5	2,0	P - 112 2 9.7	T 132ML4	16,5
	150,5	9,7	554,5	1,5	P - 90 2 9.7	T 132ML4	10,5
	147,5	9,9	566,0	2,8	P - 125 2 9.9	T 132ML4	21,0
	145,4	10,0	574,0	1,2	P - 80 2 10.04	T 132ML4	7,5
	133,9	10,9	623,2	1,4	P - 90 2 10.9	T 132ML4	10,5
	131,5	11,1	634,6	1,7	P - 112 2 11.1	T 132ML4	16,5
	125,7	11,6	664,3	1,0	P - 80 2 11.62	T 132ML4	7,5
	118,7	12,3	703,2	1,3	P - 90 2 12.3	T 132ML4	10,5
	117,7	12,4	708,9	2,0	P - 112 2 12.4	T 132ML4	16,5
	116,8	12,5	714,6	2,5	P - 125 2 12.5	T 132ML4	21,0
	106,2	13,8	786,1	1,0	P - 80 2 13.75	T 132ML4	7,5
	104,3	14,0	800,3	1,1	P - 90 2 14	T 132ML4	10,5
	100,7	14,5	829,0	1,9	P - 112 2 14.5	T 132ML4	16,5
	99,1	14,7	842,7	0,9	P - 80 2 14.74	T 132ML4	7,5
	96,7	15,1	863,3	2,2	P - 125 2 15.1	T 132ML4	21,0
	91,3	16,0	914,7	1,0	P - 90 2 16	T 132ML4	10,5
	89,6	16,3	931,9	1,7	P - 112 2 16.3	T 132ML4	16,5
	85,5	17,1	975,9	0,9	P - 80 2 17.07	T 132ML4	7,5
	85,4	17,1	977,6	0,9	P - 90 2 17.1	T 132ML4	10,5
	82,5	17,7	1011,8	1,7	P - 112 2 17.7	T 132ML4	16,5
	79,1	18,5	1054,8	0,9	P - 80 2 18.45	T 132ML4	7,5
	77,2	18,9	1081,6	2,8	P - 132 2 18.92	T 132ML4	30,0
	73,7	19,8	1132,0	0,8	P - 90 2 19.8	T 132ML4	10,5
	73,4	19,9	1137,6	1,8	P - 125 2 19.9	T 132ML4	21,0
	72,3	20,2	1154,8	1,5	P - 112 2 20.2	T 132ML4	16,5
	70,9	20,6	1165,3	2,1	P L 105 3 20.6	T 132ML4	22,0
	70,1	20,8	1190,8	2,5	P - 132 2 20.83	T 132ML4	30,0
	67,3	21,7	1240,6	1,4	P - 112 2 21.7	T 132ML4	16,5
	64,9	22,5	1272,7	2,0	P L 105 3 22.5	T 132ML4	22,0
	63,3	23,1	1318,8	2,3	P - 132 2 23.07	T 132ML4	30,0
	61,9	23,6	1320,9	1,2	P L 95 3 23.6	T 132ML4	16,0
	61,1	23,9	1351,9	1,9	P L 105 3 23.9	T 132ML4	22,0
	58,2	25,1	1434,8	1,5	P - 125 2 25.1	T 132ML4	21,0
	57,5	25,4	1452,1	1,1	P - 112 2 25.4	T 132ML4	16,5
	55,4	26,4	1506,4	2,0	P - 132 2 26.35	T 132ML4	30,0
	54,3	26,9	1521,5	2,8	P L 115 3 26.9	T 132ML4	26,0
	53,3	27,4	1533,6	1,2	P L 95 3 27.4	T 132ML4	16,0
	51,1	28,6	1617,7	1,6	P L 105 3 28.6	T 132ML4	22,0
	50,3	29,0	1658,0	1,9	P - 132 2 29	T 132ML4	30,0
	50,2	29,1	1663,7	1,1	P - 112 2 29.1	T 132ML4	16,5
	49,8	29,3	1675,1	2,8	P - 150 2 29.3	T 132ML4	38,0
	48,3	30,2	1726,7	1,3	P - 125 2 30.2	T 132ML4	21,0
	46,7	31,3	1770,3	1,6	P L 105 3 31.3	T 132ML4	22,0
	45,5	32,1	1835,2	2,7	P - 150 2 32.1	T 132ML4	38,0
	45,5	32,1	1815,9	2,4	P L 115 3 32.1	T 132ML4	26,0
	45,4	32,1	1836,9	1,7	P - 132 2 32.13	T 132ML4	30,0
	45,2	32,3	1846,5	0,9	P - 112 2 32.3	T 132ML4	16,5
	44,4	32,9	1841,2	1,1	P L 95 3 32.9	T 132ML4	16,0
	43,5	33,6	1918,0	1,5	P - 132 2 33.55	T 132ML4	30,0
	41,6	35,1	2006,4	2,2	P - 150 2 35.1	T 132ML4	38,0
	41,5	35,2	1991,0	1,4	P L 105 3 35.2	T 132ML4	22,0
	39,5	36,9	2110,9	1,4	P - 132 2 36.92	T 132ML4	30,0
	38,5	37,9	2144,1	2,1	P L 115 3 37.9	T 132ML4	26,0
	38,2	38,2	2183,9	1,1	P - 125 2 38.2	T 132ML4	21,0
	37,9	38,5	2177,9	1,3	P L 105 3 38.5	T 132ML4	22,0
	37,7	38,7	2212,2	1,9	P - 150 2 38.7	T 132ML4	38,0
	36,1	40,5	2266,5	0,9	P L 95 3 40.5	T 132ML4	16,0
	36,0	40,6	2296,7	2,2	P L 115 3 40.6	T 132ML4	26,0
	35,7	40,9	2338,6	1,3	P - 132 2 40.91	T 132ML4	30,0
	34,1	42,8	2447,0	1,8	P - 150 2 42.8	T 132ML4	38,0
	33,0	44,3	2532,2	0,9	P - 125 2 44.3	T 132ML4	21,0
	32,5	44,9	2539,7	1,1	P L 105 3 44.9	T 132ML4	22,0
	32,1	45,5	2573,7	1,9	P L 115 3 45.5	T 132ML4	26,0
	31,1	46,9	2624,6	0,8	P L 95 3 46.9	T 132ML4	16,0
	30,9	47,3	2703,7	1,5	P - 150 2 47.3	T 132ML4	38,0
	29,4	49,7	2811,1	1,7	P L 115 3 49.7	T 132ML4	26,0
	28,8	50,7	2867,6	1,0	P L 105 3 50.7	T 132ML4	22,0
	26,9	54,3	3071,4	1,6	P L 115 3 54.3	T 132ML4	26,0
	26,6	55,0	3110,6	0,9	P L 105 3 55	T 132ML4	22,0
	24,5	59,7	3376,4	1,5	P L 115 3 59.7	T 132ML4	26,0
	23,3	62,7	3546,0	0,8	P L 105 3 62.7	T 132ML4	22,0
	23,0	63,5	3592,4	2,1	P L 125 3 63.5	T 132ML4	33,0
	22,8	64,1	3625,6	1,3	P L 115 3 64.1	T 132ML4	26,0
	22,4	65,1	3682,1	2,9	P L 135 3 65.1	T 132ML4	40,0
	21,1	69,2	3914,2	1,9	P L 125 3 69.2	T 132ML4	33,0



9,2



P ₁ Input Power kW	n ₂ Output speed min ⁻¹	IR ratio -	T ₂ Ouput torque Nm	FS' Service Factor -	 GEAR	 EU	P _{tn} Thermal capacity kW	
9,2	19,8	73,8	4175,4	1,2	P L 115 3 73.8	T 132ML4	26,0	
	19,3	75,7	4281,5	1,8	P L 125 3 75.7	T 132ML4	33,0	
	18,8	77,6	4390,7	2,4	P L 135 3 77.6	T 132ML4	40,0	
	18,0	81,0	4583,2	1,6	P L 125 3 81	T 132ML4	33,0	
	18,0	81,3	4598,6	1,1	P L 115 3 81.3	T 132ML4	26,0	
	17,4	84,0	4751,8	2,2	P L 135 3 84	T 132ML4	40,0	
	16,7	87,2	4933,8	1,0	P L 115 3 87.2	T 132ML4	26,0	
	16,5	88,3	4996,4	1,5	P L 125 3 88.3	T 132ML4	33,0	
	16,0	91,4	5171,6	2,0	P L 135 3 91.4	T 132ML4	40,0	
	15,0	97,6	5520,4	1,4	P L 125 3 97.6	T 132ML4	33,0	
	14,6	100,1	5660,7	1,9	P L 135 3 100.1	T 132ML4	40,0	
	14,1	103,9	5878,2	0,8	P L 115 3 103.9	T 132ML4	26,0	
	13,8	106,2	6006,3	1,2	P L 125 3 106.2	T 132ML4	33,0	
	13,3	110,1	6228,2	1,7	P L 135 3 110.1	T 132ML4	40,0	
	12,6	116,3	6580,8	1,1	P L 125 3 116.3	T 132ML4	33,0	
	12,0	121,8	6888,2	1,5	P L 135 3 121.8	T 132ML4	40,0	
	11,4	127,9	7231,9	1,0	P L 125 3 127.9	T 132ML4	33,0	
	10,9	134,1	7583,6	1,4	P L 135 3 134.1	T 132ML4	40,0	
	10,4	140,1	7925,8	1,3	P L 135 3 140.1	T 132ML4	40,0	
	10,3	141,7	8018,6	0,9	P L 125 3 141.7	T 132ML4	33,0	
	9,5	153,3	8675,3	1,2	P L 135 3 153.3	T 132ML4	40,0	
	9,4	155,1	8776,4	0,9	P L 125 3 155.1	T 132ML4	33,0	
	8,7	168,7	9547,3	1,1	P L 135 3 168.7	T 132ML4	40,0	
	8,0	182,2	9872,1	1,3	P E 190 182.17	T 132ML4	27,0	
	8,0	183,7	10388,2	1,0	P L 135 3 183.7	T 132ML4	40,0	
	7,3	201,0	11375,4	0,9	P L 135 3 201	T 132ML4	40,0	
	6,9	210,7	11409,9	1,1	P E 190 210.74	T 132ML4	27,0	
	6,6	221,2	12513,0	0,8	P L 135 3 221.2	T 132ML4	40,0	
	5,9	246,9	13379,9	0,9	P E 190 246.94	T 132ML4	27,0	
	5,4	268,9	14562,5	0,9	P E 190 268.91	T 132ML4	27,0	
	11	1088,9	2,7	91,6	2,9	P - 90 2 2.7	T 132M2	10,5
		700,0	4,2	142,6	2,7	P - 90 2 4.2	T 132M2	10,5
		554,7	5,3	179,9	2,4	P - 90 2 5.3	T 132M2	10,5
498,3		5,9	200,3	2,2	P - 90 2 5.9	T 132M2	10,5	
440,1		6,7	226,8	2,7	P - 80 2 6.68	T 132M2	7,5	
438,8		6,7	227,4	2,1	P - 90 2 6.7	T 132M2	10,5	
432,4		3,4	230,8	2,8	P - 112 2 3.4	T 160M4	16,5	
407,2		7,2	245,1	2,5	P - 80 2 7.22	T 132M2	7,5	
376,9		7,8	264,8	2,0	P - 90 2 7.8	T 132M2	10,5	
367,5		4,0	271,6	2,8	P - 112 2 4	T 160M4	16,5	
351,7		8,4	283,8	2,2	P - 80 2 8.36	T 132M2	7,5	
337,9		8,7	295,3	1,6	P - 90 2 8.7	T 132M2	10,5	
333,7		8,9	299,1	3,0	P - 112 2 8.9	T 160MA2	16,5	
331,0		2,9	301,5	2,2	P - 112 2 2.9	T 160L6	16,5	
330,3		8,9	302,1	2,9	P - 112 2 8.9	T 132M2	16,5	
319,6		4,6	312,3	2,6	P - 112 2 4.6	T 160M4	16,5	
316,1		9,3	315,7	1,5	P - 90 2 9.3	T 132M2	10,5	
312,8		9,4	319,1	1,9	P - 80 2 9.4	T 132M2	7,5	
306,2		9,7	325,9	2,8	P - 112 2 9.7	T 160MA2	16,5	
303,1		9,7	329,3	2,7	P - 112 2 9.7	T 132M2	16,5	
303,1		9,7	329,3	2,0	P - 90 2 9.7	T 132M2	10,5	
292,8		10,0	340,8	1,7	P - 80 2 10.04	T 132M2	7,5	
282,4		3,4	353,5	2,0	P - 112 2 3.4	T 160L6	16,5	
272,2		5,4	366,6	2,7	P - 125 2 5.4	T 160M4	21,0	
269,7		10,9	370,0	1,9	P - 90 2 10.9	T 132M2	10,5	
267,6		11,1	373,0	2,5	P - 112 2 11.1	T 160MA2	16,5	
264,9		11,1	376,8	2,5	P - 112 2 11.1	T 132M2	16,5	
253,0		11,6	394,4	1,5	P - 80 2 11.62	T 132M2	7,5	
241,0		6,1	414,1	2,3	P - 112 2 6.1	T 160M4	16,5	
240,0		4,0	415,8	2,0	P - 112 2 4	T 160L6	16,5	
239,5		12,4	416,7	2,8	P - 112 2 12.4	T 160MA2	16,5	
239,0		12,3	417,5	1,8	P - 90 2 12.3	T 132M2	10,5	
237,1		12,4	420,9	2,7	P - 112 2 12.4	T 132M2	16,5	
226,2		6,5	441,3	2,7	P - 125 2 6.5	T 160M4	21,0	
216,2		6,8	461,6	2,1	P - 112 2 6.8	T 160M4	16,5	
213,8		13,8	466,7	1,4	P - 80 2 13.75	T 132M2	7,5	
210,0		14,0	475,2	1,6	P - 90 2 14	T 132M2	10,5	
208,7		4,6	478,2	1,9	P - 112 2 4.6	T 160L6	16,5	
204,8		14,5	487,2	2,6	P - 112 2 14.5	T 160MA2	16,5	
202,8		14,5	492,2	2,5	P - 112 2 14.5	T 132M2	16,5	
199,5		14,7	500,3	1,3	P - 80 2 14.74	T 132M2	7,5	
186,1		7,9	536,3	2,0	P - 112 2 7.9	T 160M4	16,5	
183,8		16,0	543,1	1,4	P - 90 2 16	T 132M2	10,5	
182,2		16,3	547,7	2,4	P - 112 2 16.3	T 160MA2	16,5	
180,4		16,3	553,3	2,4	P - 112 2 16.3	T 132M2	16,5	
179,3		8,2	556,7	2,7	P - 125 2 8.2	T 160M4	21,0	
177,8		5,4	561,3	1,9	P - 125 2 5.4	T 160L6	21,0	
172,2		17,1	579,4	1,3	P - 80 2 17.07	T 132M2	7,5	
171,9		17,1	580,5	1,3	P - 90 2 17.1	T 132M2	10,5	
167,8		17,7	594,7	2,3	P - 112 2 17.7	T 160MA2	16,5	
166,1	17,7	600,8	2,3	P - 112 2 17.7	T 132M2	16,5		
165,2	8,9	604,2	1,8	P - 112 2 8.9	T 160M4	16,5		
159,4	18,5	626,3	1,3	P - 80 2 18.45	T 132M2	7,5		
157,4	6,1	634,1	1,5	P - 112 2 6.1	T 160L6	16,5		
151,6	9,7	658,5	1,7	P - 112 2 9.7	T 160M4	16,5		
150,9	19,5	661,5	0,8	P - 80 2 19.49	T 132M2	7,5		
149,3	19,9	668,7	2,7	P - 125 2 19.9	T 160MA2	21,0		
148,5	9,9	672,1	2,4	P - 125 2 9.9	T 160M4	21,0		
148,5	19,8	672,1	1,1	P - 90 2 19.8	T 132M2	10,5		
147,7	19,9	675,5	2,7	P - 125 2 19.9	T 132M2	21,0		
147,7	6,5	675,7	1,9	P - 125 2 6.5	T 160L6	21,0		
147,0	20,2	678,8	2,1	P - 112 2 20.2	T 160MA2	16,5		
145,5	20,2	685,7	2,1	P - 112 2 20.2	T 132M2	16,5		
141,2	6,8	706,9	1,4	P - 112 2 6.8	T 160L6	16,5		



HIGH TECH *line* Motion

P ₁ Input Power kW	n ₂ Output speed min ⁻¹	IR ratio -	T ₂ Output torque Nm	FS' Service Factor -	 GEAR	 EU	P _{tn} Thermal capacity kW
-------------------------------------	---	------------------	---------------------------------------	----------------------------	---	---	---

	137,4	21,4	726,5	1,0	P - 90 2 21,4	T 132M2	10,5
	136,9	21,7	729,1	2,0	P - 112 2 21,7	T 160MA2	16,5
	135,5	21,7	736,6	2,0	P - 112 2 21,7	T 132M2	16,5
	132,4	11,1	753,6	1,5	P - 112 2 11,1	T 160M4	16,5
	125,9	23,6	776,3	1,9	P L 95 3 23,6	T 160MA2	16,0
	124,6	23,6	784,2	1,8	P L 95 3 23,6	T 132M2	16,0
	124,3	23,9	794,6	2,9	P L 105 3 23,9	T 160MA2	22,0
	123,5	23,8	790,9	0,9	P L 85 3 23,8	T 132M2	11,0
	123,0	23,9	802,8	2,9	P L 105 3 23,9	T 132M2	22,0
	121,5	7,9	821,2	1,3	P - 112 2 7,9	T 160L6	16,5
	118,6	12,4	841,8	1,7	P - 112 2 12,4	T 160M4	16,5
	118,3	25,1	843,4	2,2	P - 125 2 25,1	T 160MA2	21,0
	117,6	12,5	848,6	2,1	P - 125 2 12,5	T 160M4	21,0
	117,6	25,0	848,6	0,9	P - 90 2 25	T 132M2	10,5
	117,1	25,1	852,0	2,2	P - 125 2 25,1	T 132M2	21,0
	117,1	8,2	852,5	1,9	P - 125 2 8,2	T 160L6	21,0
	116,9	25,4	853,5	1,7	P - 112 2 25,4	T 160MA2	16,5
	115,8	25,4	862,2	1,7	P - 112 2 25,4	T 132M2	16,5
	108,4	27,4	901,3	1,8	P L 95 3 27,4	T 160MA2	16,0
	107,9	8,9	925,1	1,2	P - 112 2 8,9	T 160L6	16,5
	107,3	27,4	910,5	1,8	P L 95 3 27,4	T 132M2	16,0
	106,9	27,5	913,8	0,9	P L 85 3 27,5	T 132M2	11,0
	103,9	28,6	950,9	2,5	P L 105 3 28,6	T 160MA2	22,0
	102,8	28,6	960,6	2,4	P L 105 3 28,6	T 132M2	22,0
	102,4	29,0	974,5	3,0	P - 132 2 29	T 160MA2	30,0
	102,1	29,1	977,8	1,5	P - 112 2 29,1	T 160MA2	16,5
	101,4	29,0	984,4	2,9	P - 132 2 29	T 132M2	30,0
	101,4	14,5	984,4	1,6	P - 112 2 14,5	T 160M4	16,5
	101,0	29,1	987,8	1,5	P - 112 2 29,1	T 132M2	16,5
	99,0	9,7	1008,3	1,1	P - 112 2 9,7	T 160L6	16,5
	98,3	30,2	1014,8	2,0	P - 125 2 30,2	T 160MA2	21,0
	97,4	30,2	1025,1	1,9	P - 125 2 30,2	T 132M2	21,0
	97,4	15,1	1025,2	1,9	P - 125 2 15,1	T 160M4	21,0
	97,0	9,9	1029,2	1,7	P - 125 2 9,9	T 160L6	21,0
	94,9	31,3	1040,7	2,4	P L 105 3 31,3	T 160MA2	22,0
	93,9	31,3	1051,3	2,4	P L 105 3 31,3	T 132M2	22,0
	92,4	32,1	1079,6	2,7	P - 132 2 32,13	T 160MA2	30,0
	92,0	32,3	1085,4	1,3	P - 112 2 32,3	T 160MA2	16,5
	91,5	32,1	1090,7	2,6	P - 132 2 32,13	T 132M2	30,0
	91,0	32,3	1096,5	1,3	P - 112 2 32,3	T 132M2	16,5
	90,3	32,9	1082,2	1,7	P L 95 3 32,9	T 160MA2	16,0
	90,2	16,3	1106,7	1,5	P - 112 2 16,3	T 160M4	16,5
	89,4	32,9	1093,3	1,7	P L 95 3 32,9	T 132M2	16,0
	88,5	33,6	1127,4	2,2	P - 132 2 33,55	T 160MA2	30,0
	87,6	33,6	1138,9	2,2	P - 132 2 33,55	T 132M2	30,0
	86,5	11,1	1153,8	1,0	P - 112 2 11,1	T 160L6	16,5
	85,2	34,5	1146,4	0,9	P L 85 3 34,5	T 132M2	11,0
	84,4	35,2	1170,3	2,2	P L 105 3 35,2	T 160MA2	22,0
	84,1	17,5	1186,1	2,7	P - 132 2 17,47	T 160M4	30,0
	83,9	11,4	1189,2	2,7	P - 132 2 11,44	T 160L6	30,0
	83,5	35,2	1182,3	2,1	P L 105 3 35,2	T 132M2	22,0
	83,1	17,7	1201,6	1,4	P - 112 2 17,7	T 160M4	16,5
	80,4	36,9	1240,7	2,2	P - 132 2 36,92	T 160MA2	30,0
	79,6	36,9	1253,3	2,2	P - 132 2 36,92	T 132M2	30,0
	77,8	38,2	1283,5	1,6	P - 125 2 38,2	T 160MA2	21,0
	77,7	18,9	1284,4	2,3	P - 132 2 18,92	T 160M4	30,0
	77,4	12,4	1289,0	1,2	P - 112 2 12,4	T 160L6	16,5
	77,1	38,5	1280,1	2,0	P L 105 3 38,5	T 160MA2	22,0
	77,0	38,2	1296,8	1,6	P - 125 2 38,2	T 132M2	21,0
	76,8	12,5	1299,4	1,5	P - 125 2 12,5	T 160L6	21,0
	76,7	38,7	1300,4	3,0	P - 150 2 38,7	T 160MA2	38,0
	76,4	38,5	1293,2	1,9	P L 105 3 38,5	T 132M2	22,0
	76,4	38,9	1307,1	1,1	P - 112 2 38,9	T 160MA2	16,5
	76,0	38,7	1313,6	2,9	P - 150 2 38,7	T 132M2	38,0
	76,0	38,7	1286,0	0,8	P L 85 3 38,7	T 132M2	11,0
	75,6	38,9	1320,4	1,1	P - 112 2 38,9	T 132M2	16,5
	73,9	19,9	1351,0	1,5	P - 125 2 19,9	T 160M4	21,0
	73,3	13,1	1360,7	2,6	P - 132 2 13,09	T 160L6	30,0
	73,3	40,5	1332,3	1,4	P L 95 3 40,5	T 160MA2	16,0
	73,0	40,7	1367,6	1,1	P - 112 2 40,7	T 160MA2	16,5
	72,8	20,2	1371,4	1,3	P - 112 2 20,2	T 160M4	16,5
	72,6	40,9	1374,6	2,0	P - 132 2 40,91	T 160MA2	30,0
	72,6	40,5	1345,9	1,4	P L 95 3 40,5	T 132M2	16,0
	72,2	40,7	1381,5	1,1	P - 112 2 40,7	T 132M2	16,5
	71,9	40,9	1388,6	1,9	P - 132 2 40,91	T 132M2	30,0
	71,4	20,6	1383,8	1,8	P L 105 3 20,6	T 160M4	22,0
	70,6	20,8	1414,2	2,1	P - 132 2 20,83	T 160M4	30,0
	69,4	42,8	1438,2	2,7	P - 150 2 42,8	T 160MA2	38,0
	68,7	42,8	1452,9	2,7	P - 150 2 42,8	T 132M2	38,0
	67,7	21,7	1473,3	1,2	P - 112 2 21,7	T 160M4	16,5
	67,0	44,3	1488,6	1,3	P - 125 2 44,3	T 160MA2	21,0
	67,0	14,3	1489,7	2,6	P - 132 2 14,33	T 160L6	30,0
	66,4	44,7	1502,1	1,0	P - 112 2 44,7	T 160MA2	16,5
	66,4	44,3	1503,6	1,3	P - 125 2 44,3	T 132M2	21,0
	66,2	14,5	1507,3	1,1	P - 112 2 14,5	T 160L6	16,5
	66,2	44,9	1492,8	1,7	P L 105 3 44,9	T 160MA2	22,0
	65,8	44,7	1517,4	1,0	P - 112 2 44,7	T 132M2	16,5
	65,5	44,9	1508,1	1,7	P L 105 3 44,9	T 132M2	22,0
	65,3	22,5	1511,5	1,7	P L 105 3 22,5	T 160M4	22,0
	65,3	45,5	1512,9	3,0	P L 115 3 45,5	T 160MA2	26,0
	64,6	45,5	1528,1	2,9	P L 115 3 45,5	T 132M2	26,0
	63,7	23,1	1566,2	1,9	P - 132 2 23,07	T 160M4	30,0
	63,6	15,1	1569,6	1,3	P - 125 2 15,1	T 160L6	21,0
	63,3	46,9	1542,6	1,2	P L 95 3 46,9	T 160MA2	16,0
	62,8	47,3	1589,4	2,3	P - 150 2 47,3	T 160MA2	38,0

11





P ₁ Input Power kW	n ₂ Output speed min ⁻¹	IR ratio -	T2 Output torque Nm	FS' Service Factor -	 GEAR	 EU	P _{tn} Thermal capacity kW
	62.7	46.9	1558.4	1.2	P L 95 3 46.9	T 132M2	16.0
	62.3	23.6	1568.3	1.0	P L 95 3 23.6	T 160M4	16.0
	62.2	47.3	1605.5	2.3	P - 150 2 47.3	T 132M2	38.0
	61.5	23.9	1605.4	1.6	P L 105 3 23.9	T 160M4	22.0
	60.9	15.8	1639.3	2.3	P - 132 2 15.77	T 160L6	30.0
	60.7	48.9	1643.0	0.9	P - 112 2 48.9	T 160MA2	16.5
	60.1	48.9	1659.9	0.9	P - 112 2 48.9	T 132M2	16.5
	59.8	49.7	1652.4	2.6	P L 115 3 49.7	T 160MA2	26.0
	59.2	49.7	1669.4	2.6	P L 115 3 49.7	T 132M2	26.0
	58.9	16.3	1694.3	1.1	P - 112 2 16.3	T 160L6	16.5
	58.6	50.7	1685.7	1.5	P L 105 3 50.7	T 160MA2	22.0
	58.6	25.1	1703.9	1.2	P - 125 2 25.1	T 160M4	21.0
	58.0	50.7	1702.8	1.5	P L 105 3 50.7	T 132M2	22.0
	57.9	25.4	1724.6	0.9	P - 112 2 25.4	T 160M4	16.5
	55.9	53.1	1784.4	1.1	P - 125 2 53.1	T 160MA2	21.0
	55.8	26.4	1788.8	1.7	P - 132 2 26.35	T 160M4	30.0
	55.4	53.1	1802.4	1.1	P - 125 2 53.1	T 132M2	21.0
	55.0	17.5	1816.2	1.9	P - 132 2 17.47	T 160L6	30.0
	54.7	54.3	1805.3	2.5	P L 115 3 54.3	T 160MA2	26.0
	54.7	26.9	1806.9	2.3	P L 115 3 26.9	T 160M4	26.0
	54.3	54.7	1799.2	1.1	P L 95 3 54.7	T 160MA2	16.0
	54.2	17.7	1840.0	1.0	P - 112 2 17.7	T 160L6	16.5
	54.1	54.3	1823.9	2.5	P L 115 3 54.3	T 132M2	26.0
	54.0	55.0	1828.7	1.4	P L 105 3 55	T 160MA2	22.0
	53.8	54.7	1817.6	1.0	P L 95 3 54.7	T 132M2	16.0
	53.7	27.4	1821.0	1.0	P L 95 3 27.4	T 160M4	16.0
	53.5	27.5	1867.1	2.8	P - 150 2 27.5	T 160M4	38.0
	53.5	55.0	1847.5	1.4	P L 105 3 55	T 132M2	22.0
	51.7	57.5	1932.2	1.0	P - 125 2 57.5	T 160MA2	21.0
	51.4	28.6	1921.1	1.4	P L 105 3 28.6	T 160M4	22.0
	51.1	57.5	1951.8	1.0	P - 125 2 57.5	T 132M2	21.0
	50.7	18.9	1966.8	1.7	P - 132 2 18.92	T 160L6	30.0
	50.7	29.0	1968.8	1.6	P - 132 2 29	T 160M4	30.0
	50.5	29.1	1975.4	0.9	P - 112 2 29.1	T 160M4	16.5
	50.2	29.3	1989.2	2.4	P - 150 2 29.3	T 160M4	38.0
	50.0	19.2	1996.0	2.8	P - 150 2 19.2	T 160L6	38.0
	49.8	59.7	1984.8	2.3	P L 115 3 59.7	T 160MA2	26.0
	49.3	59.7	2005.0	2.2	P L 115 3 59.7	T 132M2	26.0
	48.7	30.2	2050.2	1.1	P - 125 2 30.2	T 160M4	21.0
	48.2	19.9	2068.7	1.1	P - 125 2 19.9	T 160L6	21.0
	47.5	20.2	2100.1	0.9	P - 112 2 20.2	T 160L6	16.5
	47.4	62.7	2084.7	1.3	P L 105 3 62.7	T 160MA2	22.0
	47.0	31.3	2102.8	1.3	P L 105 3 31.3	T 160M4	22.0
	46.9	62.7	2105.9	1.2	P L 105 3 62.7	T 132M2	22.0
	46.6	20.6	2119.0	1.3	P L 105 3 20.6	T 160L6	22.0
	46.3	64.1	2131.4	2.0	P L 115 3 64.1	T 160MA2	26.0
	46.1	20.8	2165.3	1.5	P - 132 2 20.83	T 160L6	30.0
	45.9	64.1	2152.8	2.0	P L 115 3 64.1	T 132M2	26.0
	45.8	32.1	2179.4	2.3	P - 150 2 32.1	T 160M4	38.0
	45.8	32.1	2156.5	2.0	P L 115 3 32.1	T 160M4	26.0
	45.8	32.1	2181.3	1.5	P - 132 2 32.13	T 160M4	30.0
	45.7	21.0	2183.3	2.6	P - 150 2 21	T 160L6	38.0
	45.4	65.4	2151.5	0.9	P L 95 3 65.4	T 160MA2	16.0
	45.0	65.4	2173.4	0.9	P L 95 3 65.4	T 132M2	16.0
	44.7	32.9	2186.7	1.0	P L 95 3 32.9	T 160M4	16.0
	44.2	21.7	2255.8	0.8	P - 112 2 21.7	T 160L6	16.5
	43.8	33.6	2277.4	1.2	P - 132 2 33.55	T 160M4	30.0
	42.9	69.2	2300.8	2.9	P L 125 3 69.2	T 160MA2	33.0
	42.7	22.5	2314.2	1.2	P L 105 3 22.5	T 160L6	22.0
	42.5	69.2	2324.0	2.9	P L 125 3 69.2	T 132M2	33.0
	42.1	22.8	2369.9	2.4	P - 150 2 22.8	T 160L6	38.0
	42.1	34.9	2370.5	3.0	P - 170 2 34.92	T 160M4	56.0
	42.0	70.7	2350.6	1.1	P L 105 3 70.7	T 160MA2	22.0
	41.9	35.1	2382.9	1.8	P - 150 2 35.1	T 160M4	38.0
	41.8	35.2	2364.7	1.2	P L 105 3 35.2	T 160M4	22.0
	41.6	23.1	2398.4	1.4	P - 132 2 23.07	T 160L6	30.0
	41.6	70.7	2374.9	1.1	P L 105 3 70.7	T 132M2	22.0
	40.2	73.8	2453.9	1.8	P L 115 3 73.8	T 160MA2	26.0
	40.2	23.9	2458.3	1.1	P L 105 3 23.9	T 160L6	22.0
	40.0	74.2	2440.6	0.9	P L 95 3 74.2	T 160MA2	16.0
	39.8	73.8	2478.6	1.8	P L 115 3 73.8	T 132M2	26.0
	39.8	36.9	2506.3	1.2	P - 132 2 36.92	T 160M4	30.0
	39.6	74.2	2465.8	0.9	P L 95 3 74.2	T 132M2	16.0
	39.2	75.7	2517.1	2.7	P L 125 3 75.7	T 160MA2	33.0
	38.8	75.7	2542.4	2.7	P L 125 3 75.7	T 132M2	33.0
	38.8	37.9	2545.6	1.7	P L 115 3 37.9	T 160M4	26.0
	38.5	38.2	2593.5	0.9	P - 125 2 38.2	T 160M4	21.0
	38.4	25.0	2598.9	2.2	P - 150 2 25	T 160L6	38.0
	38.3	25.1	2609.0	0.9	P - 125 2 25.1	T 160L6	21.0
	38.2	38.5	2586.3	1.1	P L 105 3 38.5	T 160M4	22.0
	38.0	38.7	2627.6	1.6	P - 150 2 38.7	T 160M4	38.0
	37.2	79.8	2653.0	1.0	P L 105 3 79.8	T 160MA2	22.0
	36.8	79.8	2680.5	1.0	P L 105 3 79.8	T 132M2	22.0
	36.7	81.0	2692.9	2.5	P L 125 3 81	T 160MA2	33.0
	36.6	40.2	2700.2	2.8	P L 125 3 40.2	T 160M4	33.0
	36.5	81.3	2703.1	1.7	P L 115 3 81.3	T 160MA2	26.0
	36.4	26.4	2739.4	1.2	P - 132 2 26.35	T 160L6	30.0
	36.3	81.0	2720.3	2.5	P L 125 3 81	T 132M2	33.0
	36.2	40.6	2727.1	1.8	P L 115 3 40.6	T 160M4	26.0
	36.2	81.3	2730.9	1.6	P L 115 3 81.3	T 132M2	26.0
	35.9	40.9	2777.5	1.1	P - 132 2 40.91	T 160M4	30.0
	35.7	26.9	2766.8	1.7	P L 115 3 26.9	T 160L6	26.0
	34.9	27.5	2858.7	2.0	P - 150 2 27.5	T 160L6	38.0
	34.5	27.8	2859.7	2.7	P L 125 3 27.8	T 160L6	33.0
	34.4	42.8	2905.2	1.5	P - 150 2 42.8	T 160M4	38.0

11





HIGH TECH *line* Motion

P ₁ Input Power kW	n ₂ Output speed min ⁻¹	IR ratio -	T ₂ Output torque Nm	FS' Service Factor -	 GEAR	 EU	P _{tn} Thermal capacity kW
	34,1	87,2	2899,2	1,5	P L 115 3 87,2	T 160MA2	26,0
	34,0	87,4	2906,0	1,0	P L 105 3 87,4	T 160MA2	22,0
	33,7	87,2	2928,5	1,5	P L 115 3 87,2	T 132M2	26,0
	33,6	88,3	2935,4	2,3	P L 125 3 88,3	T 160MA2	33,0
	33,6	87,4	2935,4	1,0	P L 105 3 87,4	T 132M2	22,0
	33,6	28,6	2941,4	1,0	P L 105 3 28,6	T 160L6	22,0
	33,6	43,8	2942,4	2,5	P L 125 3 43,8	T 160M4	33,0
	33,5	28,6	2977,3	2,7	P - 170 2 28,64	T 160L6	56,0
	33,3	88,3	2965,4	2,3	P L 125 3 88,3	T 132M2	33,0
	33,1	29,0	3014,9	1,2	P - 132 2 29	T 160L6	30,0
	32,8	90,6	3012,6	1,0	P L 105 3 90,6	T 160MA2	22,0
	32,8	29,3	3046,3	1,7	P - 150 2 29,3	T 160L6	38,0
	32,7	44,9	3016,1	0,9	P L 105 3 44,9	T 160M4	22,0
	32,5	90,6	3042,9	0,9	P L 105 3 90,6	T 132M2	22,0
	32,3	45,5	3056,2	1,6	P L 115 3 45,5	T 160M4	26,0
	31,6	30,4	3126,8	2,6	P L 125 3 30,4	T 160L6	33,0
	31,1	47,3	3210,9	1,3	P - 150 2 47,3	T 160M4	38,0
	30,7	31,3	3219,6	0,9	P L 105 3 31,3	T 160L6	22,0
	30,5	31,5	3276,3	2,5	P - 170 2 31,52	T 160L6	56,0
	30,4	97,6	3245,1	2,1	P L 125 3 97,6	T 160MA2	33,0
	30,1	97,6	3278,4	2,1	P L 125 3 97,6	T 132M2	33,0
	29,9	32,1	3336,6	1,6	P - 150 2 32,1	T 160L6	38,0
	29,9	32,1	3301,4	1,5	P L 115 3 32,1	T 160L6	26,0
	29,9	32,1	3339,9	1,0	P - 132 2 32,13	T 160L6	30,0
	29,7	100,1	3328,2	2,8	P L 135 3 100,1	T 160MA2	40,0
	29,6	49,7	3338,4	1,4	P L 115 3 49,7	T 160M4	26,0
	29,6	100,4	3338,4	0,9	P L 105 3 100,4	T 160MA2	22,0
	29,4	100,1	3362,1	2,8	P L 135 3 100,1	T 132M2	40,0
	29,3	100,4	3372,6	0,9	P L 105 3 100,4	T 132M2	22,0
	29,0	50,7	3406,3	0,8	P L 105 3 50,7	T 160M4	22,0
	28,7	51,3	3446,7	2,2	P L 125 3 51,3	T 160M4	33,0
	28,6	33,6	3488,1	0,9	P - 132 2 33,55	T 160L6	30,0
	28,6	103,9	3453,9	1,3	P L 115 3 103,9	T 160MA2	26,0
	28,3	103,9	3489,2	1,3	P L 115 3 103,9	T 132M2	26,0
	28,0	106,2	3530,5	1,9	P L 125 3 106,2	T 160MA2	33,0
	27,7	106,2	3567,5	1,9	P L 125 3 106,2	T 132M2	33,0
	27,5	34,9	3630,3	2,1	P - 170 2 34,92	T 160L6	56,0
	27,4	35,1	3649,0	1,3	P - 150 2 35,1	T 160L6	38,0
	27,3	35,2	3621,1	0,8	P L 105 3 35,2	T 160L6	22,0
	27,2	35,3	3630,4	2,3	P L 125 3 35,3	T 160L6	33,0
	27,1	54,3	3647,9	1,4	P L 115 3 54,3	T 160M4	26,0
	27,0	110,1	3660,0	2,6	P L 135 3 110,1	T 160MA2	40,0
	26,9	110,5	3673,7	0,8	P L 105 3 110,5	T 160MA2	22,0
	26,7	110,1	3698,4	2,6	P L 135 3 110,1	T 132M2	40,0
	26,6	110,5	3710,8	0,8	P L 105 3 110,5	T 132M2	22,0
	26,0	36,9	3838,2	0,9	P - 132 2 36,92	T 160L6	30,0
	26,0	114,3	3801,0	1,2	P L 115 3 114,3	T 160MA2	26,0
	25,7	114,3	3839,3	1,2	P L 115 3 114,3	T 132M2	26,0
	25,7	57,2	3842,2	2,0	P L 125 3 57,2	T 160M4	33,0
	25,5	116,3	3866,4	1,7	P L 125 3 116,3	T 160MA2	33,0
	25,4	57,8	3883,1	2,7	P L 135 3 57,8	T 160M4	40,0
	25,3	37,9	3898,3	1,2	P L 115 3 37,9	T 160L6	26,0
	25,3	116,3	3906,0	1,7	P L 125 3 116,3	T 132M2	33,0
	24,8	38,7	3980,2	2,7	P L 135 3 38,7	T 160L6	40,0
	24,8	38,7	4022,5	1,2	P - 150 2 38,7	T 160L6	38,0
	24,6	59,7	4010,8	1,2	P L 115 3 59,7	T 160M4	26,0
	24,5	121,2	4030,6	1,1	P L 115 3 121,2	T 160MA2	26,0
	24,4	121,8	4050,3	2,3	P L 135 3 121,8	T 160MA2	40,0
	24,3	121,2	4070,4	1,1	P L 115 3 121,2	T 132M2	26,0
	24,1	121,8	4090,6	2,3	P L 135 3 121,8	T 132M2	40,0
	23,9	40,2	4135,2	2,0	P L 125 3 40,2	T 160L6	33,0
	23,7	40,6	4175,4	1,3	P L 115 3 40,6	T 160L6	26,0
	23,2	127,9	4252,6	1,6	P L 125 3 127,9	T 160MA2	33,0
	23,2	63,5	4265,5	1,8	P L 125 3 63,5	T 160M4	33,0
	23,0	127,9	4295,1	1,6	P L 125 3 127,9	T 132M2	33,0
	22,9	64,1	4306,3	1,1	P L 115 3 64,1	T 160M4	26,0
	22,6	65,1	4373,2	2,4	P L 135 3 65,1	T 160M4	40,0
	22,4	42,8	4402,4	2,6	P L 135 3 42,8	T 160L6	40,0
	22,4	42,8	4449,2	1,1	P - 150 2 42,8	T 160L6	38,0
	22,2	134,1	4458,1	2,1	P L 135 3 134,1	T 160MA2	40,0
	21,9	134,1	4504,9	2,1	P L 135 3 134,1	T 132M2	40,0
	21,9	43,8	4504,9	1,8	P L 125 3 43,8	T 160L6	33,0
	21,9	135,8	4515,2	1,0	P L 115 3 135,8	T 160MA2	26,0
	21,7	135,8	4561,0	1,0	P L 115 3 135,8	T 132M2	26,0
	21,2	69,2	4649,2	1,6	P L 125 3 69,2	T 160M4	33,0
	21,2	140,1	4657,9	2,0	P L 135 3 140,1	T 160MA2	40,0
	21,1	45,5	4679,9	1,2	P L 115 3 45,5	T 160L6	26,0
	21,0	140,1	4704,5	2,0	P L 135 3 140,1	T 132M2	40,0
	21,0	141,7	4711,3	1,4	P L 125 3 141,7	T 160MA2	33,0
	20,8	141,7	4759,0	1,4	P L 125 3 141,7	T 132M2	33,0
	20,6	46,7	4802,9	2,4	P L 135 3 46,7	T 160L6	40,0
	20,3	47,3	4916,3	0,9	P - 150 2 47,3	T 160L6	38,0
	20,0	148,2	4927,3	0,9	P L 115 3 148,2	T 160MA2	26,0
	19,9	73,8	4957,2	1,0	P L 115 3 73,8	T 160M4	26,0
	19,8	148,2	4977,4	0,9	P L 115 3 148,2	T 132M2	26,0
	19,4	75,7	5084,7	1,5	P L 125 3 75,7	T 160M4	33,0
	19,4	153,3	5097,8	1,9	P L 135 3 153,3	T 160MA2	40,0
	19,3	49,7	5111,3	1,0	P L 115 3 49,7	T 160L6	26,0
	19,2	153,3	5148,3	1,8	P L 135 3 153,3	T 132M2	40,0
	19,2	155,1	5156,6	1,3	P L 125 3 155,1	T 160MA2	33,0
	19,0	155,1	5208,3	1,3	P L 125 3 155,1	T 132M2	33,0
	18,9	77,6	5213,7	2,0	P L 135 3 77,6	T 160M4	40,0
	18,9	50,7	5216,4	2,2	P L 135 3 50,7	T 160L6	40,0
	18,7	51,3	5277,7	1,5	P L 125 3 51,3	T 160L6	33,0
	18,2	163,1	5422,9	0,8	P L 115 3 163,1	T 160MA2	26,0



11

P ₁ Input Power kW	n ₂ Output speed min ⁻¹	IR ratio -	T2 Ouput torque Nm	FS' Service Factor -	 GEAR	 EU	P _{tn} Thermal capacity kW
	18,2	81,0	5440,5	1,4	P L 125 3 81	T 160M4	33,0
	18,1	81,3	5461,8	0,9	P L 115 3 81,3	T 160M4	26,0
	18,0	163,1	5476,9	0,8	P L 115 3 163,1	T 132M2	26,0
	17,7	54,3	5585,2	1,0	P L 115 3 54,3	T 160L6	26,0
	17,6	168,7	5607,4	1,7	P L 135 3 168,7	T 160MA2	40,0
	17,5	84,0	5642,7	1,9	P L 135 3 84	T 160M4	40,0
	17,4	168,7	5665,5	1,7	P L 135 3 168,7	T 132M2	40,0
	17,4	170,7	5675,3	1,2	P L 125 3 170,7	T 160MA2	33,0
	17,2	170,7	5734,5	1,2	P L 125 3 170,7	T 132M2	33,0
	16,9	87,2	5856,8	0,8	P L 115 3 87,2	T 160M4	26,0
	16,8	57,2	5884,8	1,4	P L 125 3 57,2	T 160L6	33,0
	16,7	88,3	5930,6	1,3	P L 125 3 88,3	T 160M4	33,0
	16,6	57,8	5945,1	1,9	P L 135 3 57,8	T 160L6	40,0
	16,3	182,2	5800,4	2,0	P E 190 182,17	T 160MA2	27,0
	16,2	183,7	6106,8	1,5	P L 135 3 183,7	T 160MA2	40,0
	16,1	182,2	5857,8	2,0	P E 190 182,17	T 132M2	27,0
	16,1	91,4	6141,0	1,7	P L 135 3 91,4	T 160M4	40,0
	16,1	59,7	6140,7	0,9	P L 115 3 59,7	T 160L6	26,0
	16,0	183,7	6171,7	1,5	P L 135 3 183,7	T 132M2	40,0
	15,7	189,1	6285,4	1,1	P L 125 3 189,1	T 160MA2	33,0
	15,6	189,1	6350,5	1,1	P L 125 3 189,1	T 132M2	33,0
	15,1	63,5	6530,8	1,3	P L 125 3 63,5	T 160L6	33,0
	15,1	97,6	6557,0	1,1	P L 125 3 97,6	T 160M4	33,0
	14,8	201,0	6681,0	1,4	P L 135 3 201	T 160MA2	40,0
	14,8	65,1	6694,9	1,7	P L 135 3 65,1	T 160L6	40,0
	14,7	100,1	6722,2	1,6	P L 135 3 100,1	T 160M4	40,0
	14,6	201,0	6749,6	1,4	P L 135 3 201	T 132M2	40,0
	14,1	210,7	6710,2	1,7	P E 190 210,74	T 160MA2	27,0
	14,0	210,7	6777,4	1,7	P E 190 210,74	T 132M2	27,0
	13,9	69,2	7119,2	1,1	P L 125 3 69,2	T 160L6	33,0
	13,8	106,2	7134,8	1,1	P L 125 3 106,2	T 160M4	33,0
	13,8	215,0	6845,9	1,2	P E 170 215,02	T 160MA2	21,0
	13,7	215,0	6916,1	1,2	P E 170 215,02	T 132M2	21,0
	13,4	221,2	7352,5	1,3	P L 135 3 221,2	T 160MA2	40,0
	13,4	110,1	7396,7	1,4	P L 135 3 110,1	T 160M4	40,0
	13,3	221,2	7430,3	1,3	P L 135 3 221,2	T 132M2	40,0
	12,7	75,7	7787,5	1,0	P L 125 3 75,7	T 160L6	33,0
	12,6	116,3	7812,5	1,0	P L 125 3 116,3	T 160M4	33,0
	12,4	77,6	7982,9	1,4	P L 135 3 77,6	T 160L6	40,0
	12,1	245,1	8147,2	1,2	P L 135 3 245,1	T 160MA2	40,0
	12,1	121,8	8181,0	1,3	P L 135 3 121,8	T 160M4	40,0
	12,0	246,9	7859,1	1,5	P E 190 246,94	T 160MA2	27,0
	12,0	246,9	7859,2	1,0	P E 170 246,94	T 160MA2	21,0
	12,0	245,1	8229,1	1,1	P L 135 3 245,1	T 132M2	40,0
	11,9	246,9	7938,5	1,4	P E 190 246,94	T 132M2	27,0
	11,9	246,9	7938,3	1,0	P E 170 246,94	T 132M2	21,0
	11,9	81,0	8332,9	1,0	P L 125 3 81	T 160L6	33,0
	11,5	127,9	8593,8	0,9	P L 125 3 127,9	T 160M4	33,0
	11,4	84,0	8639,3	1,3	P L 135 3 84	T 160L6	40,0
	11,1	268,8	8555,8	0,9	P E 170 268,78	T 160MA2	21,0
	11,0	268,9	8564,1	1,3	P E 190 268,91	T 160MA2	27,0
	11,0	134,1	9010,1	1,2	P L 135 3 134,1	T 160M4	40,0
	10,9	268,8	8642,1	0,9	P E 170 268,78	T 132M2	21,0
	10,9	268,9	8650,2	1,3	P E 190 268,91	T 132M2	27,0
	10,9	88,3	9084,5	0,9	P L 125 3 88,3	T 160L6	33,0
	10,5	91,4	9404,2	1,2	P L 135 3 91,4	T 160L6	40,0
	10,5	140,1	9413,2	1,1	P L 135 3 140,1	T 160M4	40,0
	10,2	291,5	9278,3	1,2	P E 190 291,48	T 160MA2	27,0
	10,1	291,5	9370,4	1,2	P E 190 291,48	T 132M2	27,0
	9,8	302,0	9608,5	0,8	P E 170 301,96	T 160MA2	21,0
	9,8	97,6	10035,4	0,8	P L 125 3 97,6	T 160L6	33,0
	9,8	302,5	9627,8	1,2	P E 190 302,51	T 160MA2	27,0
	9,7	302,0	9706,9	0,8	P E 170 301,96	T 132M2	21,0
	9,7	302,5	9727,0	1,2	P E 190 302,51	T 132M2	27,0
	9,6	100,1	10296,6	1,1	P L 135 3 100,1	T 160L6	40,0
	9,6	153,3	10296,9	1,0	P L 135 3 153,3	T 160M4	40,0
	9,4	317,4	10100,6	1,1	P E 190 317,42	T 160MA2	27,0
	9,3	317,4	10209,8	1,1	P E 190 317,42	T 132M2	27,0
	9,0	329,4	10481,4	1,1	P E 190 329,43	T 160MA2	27,0
	8,9	329,4	10599,1	1,1	P E 190 329,43	T 132M2	27,0
	8,7	110,1	11323,9	1,0	P L 135 3 110,1	T 160L6	40,0
	8,7	168,7	11336,9	0,9	P L 135 3 168,7	T 160M4	40,0
	8,6	347,4	11057,7	1,0	P E 190 347,35	T 160MA2	27,0
	8,5	347,4	11175,9	1,0	P E 190 347,35	T 132M2	27,0
	8,3	357,1	11363,6	1,0	P E 190 357,1	T 160MA2	27,0
	8,2	357,1	11487,5	1,0	P E 190 357,1	T 132M2	27,0
	8,1	182,2	11716,1	1,1	P E 190 182,17	T 160M4	27,0
	8,0	183,7	12343,7	0,9	P L 135 3 183,7	T 160M4	40,0
	7,9	121,8	12531,2	0,9	P L 135 3 121,8	T 160L6	40,0
	7,6	388,9	12375,3	0,9	P E 190 388,88	T 160MA2	27,0
	7,6	388,9	12506,2	0,9	P E 190 388,88	T 132M2	27,0
	7,2	134,1	13791,3	0,8	P L 135 3 134,1	T 160L6	40,0
	7,0	210,7	13545,5	0,9	P E 190 210,74	T 160M4	27,0
	7,0	425,6	13545,3	0,8	P E 190 425,55	T 160MA2	27,0
	6,9	425,6	13683,1	0,8	P E 190 425,55	T 132M2	27,0
	6,6	448,2	14259,9	0,8	P E 190 448,15	T 160MA2	27,0



15.0
kW

HIGH TECH *line* Motion

P₁ Input Power kW	n₂ Output speed min ⁻¹	IR ratio -	T₂ Ouput torque Nm	FS' Service Factor -	 GEAR	 EU	P_{tn} Thermal capacity kW
	1088,9	2,7	125,0	2,2	P - 90 2 2.7	T 132ML2	10,5
	700,0	4,2	194,4	2,0	P - 90 2 4.2	T 132ML2	10,5
	646,2	4,6	210,6	2,6	P - 80 2 4.55	T 132ML2	7,5
	554,7	5,3	245,3	1,8	P - 90 2 5.3	T 132ML2	10,5
	515,8	5,7	263,8	2,3	P - 80 2 5.7	T 132ML2	7,5
	510,3	2,9	266,7	2,3	P - 112 2 2.9	T 160L4	16,5
	498,3	5,9	273,1	1,6	P - 90 2 5.9	T 132ML2	10,5
	485,3	6,1	280,4	2,7	P - 112 2 6.1	T 160MB2	16,5
	482,0	6,1	282,4	2,7	P - 112 2 6.1	T 132ML2	16,5
	440,1	6,7	309,2	2,0	P - 80 2 6.68	T 132ML2	7,5
	438,8	6,7	310,1	1,5	P - 90 2 6.7	T 132ML2	10,5
	435,3	6,8	312,6	2,6	P - 112 2 6.8	T 160MB2	16,5
	435,3	3,4	312,6	2,0	P - 112 2 3.4	T 160L4	16,5
	432,4	6,8	314,8	2,6	P - 112 2 6.8	T 132ML2	16,5
	407,2	7,2	334,2	1,8	P - 80 2 7.22	T 132ML2	7,5
	376,9	7,8	361,0	1,4	P - 90 2 7.8	T 132ML2	10,5
	374,7	7,9	363,2	2,3	P - 112 2 7.9	T 160MB2	16,5
	372,2	7,9	365,7	2,3	P - 112 2 7.9	T 132ML2	16,5
	370,0	4,0	367,8	2,0	P - 112 2 4	T 160L4	16,5
	351,7	8,4	387,0	1,6	P - 80 2 8.36	T 132ML2	7,5
	337,9	8,7	402,7	1,1	P - 90 2 8.7	T 132ML2	10,5
	334,5	2,9	406,9	1,6	P - 112 2 2.9	T 180L6	16,5
	332,6	8,9	409,2	2,2	P - 112 2 8.9	T 160MB2	16,5
	330,3	8,9	412,0	2,2	P - 112 2 8.9	T 132ML2	16,5
	321,7	4,6	423,0	1,9	P - 112 2 4.6	T 160L4	16,5
	316,1	9,3	430,5	1,1	P - 90 2 9.3	T 132ML2	10,5
	312,8	9,4	435,1	1,4	P - 80 2 9.4	T 132ML2	7,5
	305,2	9,7	446,0	2,0	P - 112 2 9.7	T 160MB2	16,5
	303,1	9,7	449,0	2,0	P - 112 2 9.7	T 132ML2	16,5
	303,1	9,7	449,0	1,5	P - 90 2 9.7	T 132ML2	10,5
	292,8	10,0	464,7	1,3	P - 80 2 10.04	T 132ML2	7,5
	285,3	3,4	477,0	1,4	P - 112 2 3.4	T 180L6	16,5
	274,1	5,4	496,5	2,0	P - 125 2 5.4	T 160L4	21,0
	269,7	10,9	504,5	1,4	P - 90 2 10.9	T 132ML2	10,5
	266,7	11,1	510,3	1,9	P - 112 2 11.1	T 160MB2	16,5
	264,9	11,1	513,8	1,8	P - 112 2 11.1	T 132ML2	16,5
	253,0	11,6	537,9	1,1	P - 80 2 11.62	T 132ML2	7,5
	242,6	6,1	560,9	1,7	P - 112 2 6.1	T 160L4	16,5
	242,5	4,0	561,2	1,5	P - 112 2 4	T 180L6	16,5
	239,0	12,3	569,3	1,3	P - 90 2 12.3	T 132ML2	10,5
	238,7	12,4	570,1	2,0	P - 112 2 12.4	T 160MB2	16,5
	237,1	12,4	574,0	2,0	P - 112 2 12.4	T 132ML2	16,5
	236,8	12,5	574,7	2,8	P - 125 2 12.5	T 160MB2	21,0
	235,2	12,5	578,6	2,8	P - 125 2 12.5	T 132ML2	21,0
	227,7	6,5	597,7	2,0	P - 125 2 6.5	T 160L4	21,0
	217,7	6,8	625,3	1,6	P - 112 2 6.8	T 160L4	16,5
	213,8	13,8	636,5	1,1	P - 80 2 13.75	T 132ML2	7,5
	210,9	4,6	645,4	1,4	P - 112 2 4.6	T 180L6	16,5
	210,0	14,0	648,0	1,1	P - 90 2 14	T 132ML2	10,5
	204,1	14,5	666,6	1,9	P - 112 2 14.5	T 160MB2	16,5
	202,8	14,5	671,2	1,9	P - 112 2 14.5	T 132ML2	16,5
	199,5	14,7	682,3	1,0	P - 80 2 14.74	T 132ML2	7,5
	196,0	15,1	694,2	2,5	P - 125 2 15.1	T 160MB2	21,0
	194,7	15,1	699,0	2,4	P - 125 2 15.1	T 132ML2	21,0
	187,3	7,9	726,4	1,4	P - 112 2 7.9	T 160L4	16,5
	183,8	16,0	740,6	1,0	P - 90 2 16	T 132ML2	10,5
	181,6	16,3	749,4	1,8	P - 112 2 16.3	T 160MB2	16,5
	180,5	8,2	754,0	2,0	P - 125 2 8.2	T 160L4	21,0
	180,4	16,3	754,5	1,8	P - 112 2 16.3	T 132ML2	16,5
	179,6	5,4	757,6	1,4	P - 125 2 5.4	T 180L6	21,0
	172,2	17,1	790,1	1,0	P - 80 2 17.07	T 132ML2	7,5
	171,9	17,1	791,6	0,9	P - 90 2 17.1	T 132ML2	10,5
	167,2	17,7	813,8	1,7	P - 112 2 17.7	T 160MB2	16,5
	166,3	8,9	818,4	1,3	P - 112 2 8.9	T 160L4	16,5
	166,1	17,7	819,3	1,7	P - 112 2 17.7	T 132ML2	16,5
	159,4	18,5	854,0	0,9	P - 80 2 18.45	T 132ML2	7,5
	159,0	6,1	855,8	1,1	P - 112 2 6.1	T 180L6	16,5
	152,6	9,7	891,9	1,2	P - 112 2 9.7	T 160L4	16,5
	149,5	9,9	910,3	1,8	P - 125 2 9.9	T 160L4	21,0
	149,2	6,5	911,9	1,4	P - 125 2 6.5	T 180L6	21,0
	148,7	19,9	914,9	2,0	P - 125 2 19.9	T 160MB2	21,0
	148,5	19,8	916,5	0,8	P - 90 2 19.8	T 132ML2	10,5
	147,7	19,9	921,1	2,0	P - 125 2 19.9	T 132ML2	21,0
	146,5	20,2	928,8	1,6	P - 112 2 20.2	T 160MB2	16,5
	145,5	20,2	935,1	1,5	P - 112 2 20.2	T 132ML2	16,5
	143,7	20,6	937,1	2,4	P L 105 3 20.6	T 160MB2	22,0
	142,7	20,6	943,5	2,4	P L 105 3 20.6	T 132ML2	22,0
	142,7	6,8	954,0	1,0	P - 112 2 6.8	T 180L6	16,5
	142,1	20,8	957,7	2,8	P - 132 2 20.83	T 160MB2	30,0
	141,1	20,8	964,2	2,8	P - 132 2 20.83	T 132ML2	30,0
	136,4	21,7	997,6	1,5	P - 112 2 21.7	T 160MB2	16,5
	135,5	21,7	1004,5	1,5	P - 112 2 21.7	T 132ML2	16,5
	133,3	11,1	1020,7	1,1	P - 112 2 11.1	T 160L4	16,5
	131,6	22,5	1023,5	2,2	P L 105 3 22.5	T 160MB2	22,0
	130,7	22,5	1030,5	2,2	P L 105 3 22.5	T 132ML2	22,0
	129,4	11,4	1051,9	2,9	P - 132 2 11.44	T 160L4	30,0
	128,3	23,1	1060,6	2,5	P - 132 2 23.07	T 160MB2	30,0
	127,4	23,1	1067,9	2,5	P - 132 2 23.07	T 132ML2	30,0
	125,4	23,6	1062,2	1,4	P L 95 3 23.6	T 160MB2	16,0
	124,6	23,6	1069,4	1,3	P L 95 3 23.6	T 132ML2	16,0
	123,9	23,9	1087,2	2,1	P L 105 3 23.9	T 160MB2	22,0
	123,0	23,9	1094,7	2,1	P L 105 3 23.9	T 132ML2	22,0
	122,8	7,9	1108,3	1,0	P - 112 2 7.9	T 180L6	16,5
	119,4	12,4	1140,3	1,2	P - 112 2 12.4	T 160L4	16,5
	118,4	12,5	1149,4	1,6	P - 125 2 12.5	T 160L4	21,0

15



P ₁ Input Power kW	n ₂ Output speed min ⁻¹	IR ratio -	T2 Ouput torque Nm	FS' Service Factor -	 GEAR	 EU	P _{tn} Thermal capacity kW
	118,3	8,2	1150,5	1,4	P - 125 2 8.2	T 180L6	21,0
	117,9	25,1	1154,0	1,6	P - 125 2 25.1	T 160MB2	21,0
	117,1	25,1	1161,8	1,6	P - 125 2 25.1	T 132ML2	21,0
	116,5	25,4	1167,8	1,3	P - 112 2 25.4	T 160MB2	16,5
	115,8	25,4	1175,7	1,2	P - 112 2 25.4	T 132ML2	16,5
	113,2	8,6	1202,3	2,7	P - 132 2 8.57	T 180L6	30,0
	113,1	13,1	1203,7	2,7	P - 132 2 13.09	T 160L4	30,0
	112,3	26,4	1211,5	2,2	P - 132 2 26.35	T 160MB2	30,0
	111,6	26,4	1219,7	2,2	P - 132 2 26.35	T 132ML2	30,0
	109,0	8,9	1248,6	0,9	P - 112 2 8.9	T 180L6	16,5
	108,0	27,4	1233,2	1,3	P L 95 3 27.4	T 160MB2	16,0
	107,3	27,4	1241,6	1,3	P L 95 3 27.4	T 132ML2	16,0
	103,5	28,6	1301,0	1,8	P L 105 3 28.6	T 160MB2	22,0
	103,4	9,4	1316,0	2,5	P - 132 2 9.38	T 180L6	30,0
	103,3	14,3	1317,7	2,7	P - 132 2 14.33	T 160L4	30,0
	102,8	28,6	1309,9	1,8	P L 105 3 28.6	T 132ML2	22,0
	102,1	29,0	1333,3	2,2	P - 132 2 29	T 160MB2	30,0
	102,1	14,5	1333,3	1,2	P - 112 2 14.5	T 160L4	16,5
	101,7	29,1	1337,9	1,1	P - 112 2 29.1	T 160MB2	16,5
	101,4	29,0	1342,4	2,1	P - 132 2 29	T 132ML2	30,0
	101,0	29,1	1347,0	1,1	P - 112 2 29.1	T 132ML2	16,5
	100,0	9,7	1360,8	0,8	P - 112 2 9.7	T 180L6	16,5
	98,0	30,2	1388,5	1,4	P - 125 2 30.2	T 160MB2	21,0
	98,0	15,1	1388,5	1,4	P - 125 2 15.1	T 160L4	21,0
	98,0	9,9	1388,9	1,3	P - 125 2 9.9	T 180L6	21,0
	97,4	30,2	1397,9	1,4	P - 125 2 30.2	T 132ML2	21,0
	94,6	31,3	1423,9	1,8	P L 105 3 31.3	T 160MB2	22,0
	94,0	10,3	1447,9	2,5	P - 132 2 10.32	T 180L6	30,0
	93,9	31,3	1433,6	1,8	P L 105 3 31.3	T 132ML2	22,0
	93,9	15,8	1450,0	2,4	P - 132 2 15.77	T 160L4	30,0
	92,2	32,1	1460,3	2,7	P L 115 3 32.1	T 160MB2	26,0
	92,1	32,1	1477,1	2,0	P - 132 2 32.13	T 160MB2	30,0
	91,6	32,3	1485,0	1,0	P - 112 2 32.3	T 160MB2	16,5
	91,6	32,1	1470,2	2,7	P L 115 3 32.1	T 132ML2	26,0
	91,5	32,1	1487,3	1,9	P - 132 2 32.13	T 132ML2	30,0
	91,0	32,3	1495,2	1,0	P - 112 2 32.3	T 132ML2	16,5
	90,8	16,3	1498,8	1,1	P - 112 2 16.3	T 160L4	16,5
	90,0	32,9	1480,7	1,3	P L 95 3 32.9	T 160MB2	16,0
	89,4	32,9	1490,8	1,3	P L 95 3 32.9	T 132ML2	16,0
	88,2	33,6	1542,4	1,6	P - 132 2 33.55	T 160MB2	30,0
	87,6	33,6	1553,0	1,6	P - 132 2 33.55	T 132ML2	30,0
	84,8	11,4	1605,0	2,0	P - 132 2 11.44	T 180L6	30,0
	84,7	17,5	1606,3	2,0	P - 132 2 17.47	T 160L4	30,0
	84,3	35,1	1613,7	2,5	P - 150 2 35.1	T 160MB2	38,0
	84,1	35,2	1601,3	1,6	P L 105 3 35.2	T 160MB2	22,0
	83,8	35,1	1624,7	2,4	P - 150 2 35.1	T 132ML2	38,0
	83,6	17,7	1627,4	1,0	P - 112 2 17.7	T 160L4	16,5
	83,5	35,2	1612,2	1,6	P L 105 3 35.2	T 132ML2	22,0
	80,2	36,9	1697,5	1,6	P - 132 2 36.92	T 160MB2	30,0
	79,6	36,9	1709,0	1,6	P - 132 2 36.92	T 132ML2	30,0
	78,2	12,4	1739,6	0,9	P - 112 2 12.4	T 180L6	16,5
	78,2	18,9	1739,8	1,7	P - 132 2 18.92	T 160L4	30,0
	78,1	37,9	1724,1	2,3	P L 115 3 37.9	T 160MB2	26,0
	77,6	12,5	1753,7	1,1	P - 125 2 12.5	T 180L6	21,0
	77,6	37,9	1735,9	2,3	P L 115 3 37.9	T 132ML2	26,0
	77,5	38,2	1756,2	1,2	P - 125 2 38.2	T 160MB2	21,0
	77,1	19,2	1765,5	2,9	P - 150 2 19.2	T 160L4	38,0
	77,0	38,2	1768,3	1,2	P - 125 2 38.2	T 132ML2	21,0
	76,9	38,5	1751,5	1,4	P L 105 3 38.5	T 160MB2	22,0
	76,5	38,7	1779,1	2,2	P - 150 2 38.7	T 160MB2	38,0
	76,4	38,5	1763,4	1,4	P L 105 3 38.5	T 132ML2	22,0
	76,1	38,9	1788,5	0,8	P - 112 2 38.9	T 160MB2	16,5
	76,0	38,7	1791,3	2,2	P - 150 2 38.7	T 132ML2	38,0
	75,6	38,9	1800,5	0,8	P - 112 2 38.9	T 132ML2	16,5
	74,4	19,9	1829,8	1,1	P - 125 2 19.9	T 160L4	21,0
	74,1	13,1	1836,5	2,0	P - 132 2 13.09	T 180L6	30,0
	73,3	20,2	1857,4	0,9	P - 112 2 20.2	T 160L4	16,5
	73,1	40,5	1822,7	1,0	P L 95 3 40.5	T 160MB2	16,0
	72,9	40,6	1846,9	2,4	P L 115 3 40.6	T 160MB2	26,0
	72,6	40,5	1835,3	1,0	P L 95 3 40.5	T 132ML2	16,0
	72,4	40,6	1859,6	2,4	P L 115 3 40.6	T 132ML2	26,0
	72,4	40,9	1880,9	1,4	P - 132 2 40.91	T 160MB2	30,0
	71,9	40,9	1893,5	1,4	P - 132 2 40.91	T 132ML2	30,0
	71,8	20,6	1874,3	1,3	P L 105 3 20.6	T 160L4	22,0
	71,3	13,6	1908,1	3,0	P - 150 2 13.6	T 180L6	38,0
	71,1	20,8	1915,4	1,6	P - 132 2 20.83	T 160L4	30,0
	70,5	21,0	1930,9	2,7	P - 150 2 21	T 160L4	38,0
	69,2	42,8	1967,7	2,0	P - 150 2 42.8	T 160MB2	38,0
	68,7	42,8	1981,2	2,0	P - 150 2 42.8	T 132ML2	38,0
	68,2	21,7	1995,4	0,9	P - 112 2 21.7	T 160L4	16,5
	67,7	14,3	2010,4	1,9	P - 132 2 14.33	T 180L6	30,0
	66,9	14,5	2034,1	0,8	P - 112 2 14.5	T 180L6	16,5
	66,8	44,3	2036,6	1,0	P - 125 2 44.3	T 160MB2	21,0
	66,4	44,3	2050,4	1,0	P - 125 2 44.3	T 132ML2	21,0
	65,9	44,9	2042,7	1,2	P L 105 3 44.9	T 160MB2	22,0
	65,8	22,5	2047,1	1,2	P L 105 3 22.5	T 160L4	22,0
	65,5	44,9	2056,5	1,2	P L 105 3 44.9	T 132ML2	22,0
	65,1	45,5	2070,0	2,2	P L 115 3 45.5	T 160MB2	26,0
	64,9	22,8	2096,5	2,5	P - 150 2 22.8	T 160L4	38,0
	64,6	45,5	2083,8	2,2	P L 115 3 45.5	T 132ML2	26,0
	64,2	15,1	2118,5	1,0	P - 125 2 15.1	T 180L6	21,0
	64,2	23,1	2121,4	1,4	P - 132 2 23.07	T 160L4	30,0
	63,4	15,3	2146,5	2,6	P - 150 2 15.3	T 180L6	38,0
	63,1	46,9	2110,9	0,9	P L 95 3 46.9	T 160MB2	16,0
	62,7	46,9	2125,0	0,9	P L 95 3 46.9	T 132ML2	16,0

15



15.0
kW

HIGH TECH *line* Motion

P₁ Input Power kW	n₂ Output speed min ⁻¹	IR ratio -	T₂ Output torque Nm	FS' Service Factor -	 GEAR	 EU	P_{tn} Thermal capacity kW
	62.6	47.3	2174.6	1.7	P - 150 2 47.3	T 160MB2	38.0
	62.2	47.3	2189.3	1.7	P - 150 2 47.3	T 132ML2	38.0
	61.9	23.9	2174.7	1.2	P L 105 3 23.9	T 160L4	22.0
	61.5	15.8	2212.4	1.7	P - 132 2 15.77	T 180L6	30.0
	59.6	49.7	2260.8	1.9	P L 115 3 49.7	T 160MB2	26.0
	59.2	25.0	2298.8	2.3	P - 150 2 25	T 160L4	38.0
	59.2	49.7	2276.5	1.9	P L 115 3 49.7	T 132ML2	26.0
	59.0	25.1	2308.2	0.9	P - 125 2 25.1	T 160L4	21.0
	58.4	50.7	2306.6	1.1	P L 105 3 50.7	T 160MB2	22.0
	58.1	16.7	2343.1	2.5	P - 150 2 16.7	T 180L6	38.0
	58.0	50.7	2322.0	1.1	P L 105 3 50.7	T 132ML2	22.0
	57.7	51.3	2333.7	2.9	P L 125 3 51.3	T 160MB2	33.0
	56.2	26.4	2422.7	1.2	P - 132 2 26.35	T 160L4	30.0
	55.7	53.1	2441.4	0.8	P - 125 2 53.1	T 160MB2	21.0
	55.5	17.5	2451.2	1.4	P - 132 2 17.47	T 180L6	30.0
	55.4	53.1	2457.8	0.8	P - 125 2 53.1	T 132ML2	21.0
	55.0	26.9	2447.4	1.7	P L 115 3 26.9	T 160L4	26.0
	54.5	54.3	2470.3	1.8	P L 115 3 54.3	T 160MB2	26.0
	54.1	54.3	2487.2	1.8	P L 115 3 54.3	T 132ML2	26.0
	53.8	27.5	2528.5	2.1	P - 150 2 27.5	T 160L4	38.0
	53.8	55.0	2501.9	1.0	P L 105 3 55	T 160MB2	22.0
	53.5	55.0	2519.3	1.0	P L 105 3 55	T 132ML2	22.0
	53.2	27.8	2529.2	2.8	P L 125 3 27.8	T 160L4	33.0
	51.8	57.2	2602.0	2.6	P L 125 3 57.2	T 160MB2	33.0
	51.8	28.6	2602.1	1.0	P L 105 3 28.6	T 160L4	22.0
	51.7	28.6	2633.2	2.8	P - 170 2 28.64	T 160L4	56.0
	51.3	18.9	2654.4	1.2	P - 132 2 18.92	T 180L6	30.0
	51.0	29.0	2666.8	1.2	P - 132 2 29	T 160L4	30.0
	50.5	19.2	2693.7	2.1	P - 150 2 19.2	T 180L6	38.0
	50.5	29.3	2694.2	1.7	P - 150 2 29.3	T 160L4	38.0
	49.6	59.7	2715.9	1.7	P L 115 3 59.7	T 160MB2	26.0
	49.3	59.7	2734.1	1.6	P L 115 3 59.7	T 132ML2	26.0
	49.2	19.7	2765.4	3.0	P - 170 2 19.71	T 180L6	56.0
	48.7	30.4	2766.1	2.7	P L 125 3 30.4	T 160L4	33.0
	47.3	31.3	2848.0	1.0	P L 105 3 31.3	T 160L4	22.0
	47.2	62.7	2852.3	0.9	P L 105 3 62.7	T 160MB2	22.0
	47.0	31.5	2898.6	2.6	P - 170 2 31.52	T 160L4	56.0
	46.9	62.7	2871.7	0.9	P L 105 3 62.7	T 132ML2	22.0
	46.6	63.5	2889.0	2.3	P L 125 3 63.5	T 160MB2	33.0
	46.6	20.8	2922.2	1.1	P - 132 2 20.83	T 180L6	30.0
	46.3	63.5	2908.3	2.3	P L 125 3 63.5	T 132ML2	33.0
	46.2	21.0	2946.2	1.9	P - 150 2 21	T 180L6	38.0
	46.2	64.1	2915.9	1.5	P L 115 3 64.1	T 160MB2	26.0
	46.1	32.1	2951.4	1.7	P - 150 2 32.1	T 160L4	38.0
	46.1	32.1	2920.4	1.5	P L 115 3 32.1	T 160L4	26.0
	46.1	32.1	2954.6	1.1	P - 132 2 32.13	T 160L4	30.0
	45.9	64.1	2935.6	1.5	P L 115 3 64.1	T 132ML2	26.0
	45.2	21.5	3010.8	2.7	P - 170 2 21.46	T 180L6	56.0
	44.1	33.6	3085.3	0.9	P - 132 2 33.55	T 160L4	30.0
	43.3	22.4	3109.9	2.4	P L 125 3 22.4	T 180L6	33.0
	42.8	69.2	3148.3	2.1	P L 125 3 69.2	T 160MB2	33.0
	42.5	22.8	3199.0	1.8	P - 150 2 22.8	T 180L6	38.0
	42.5	69.2	3169.1	2.1	P L 125 3 69.2	T 132ML2	33.0
	42.4	34.9	3211.1	2.2	P - 170 2 34.92	T 160L4	56.0
	42.2	35.1	3227.1	1.4	P - 150 2 35.1	T 160L4	38.0
	42.1	23.1	3236.2	1.0	P - 132 2 23.07	T 180L6	30.0
	42.1	35.2	3202.2	0.9	P L 105 3 35.2	T 160L4	22.0
	41.9	35.3	3211.4	2.3	P L 125 3 35.3	T 160L4	33.0
	41.9	70.7	3216.1	0.8	P L 105 3 70.7	T 160MB2	22.0
	41.6	70.7	3238.5	0.8	P L 105 3 70.7	T 132ML2	22.0
	41.3	23.5	3295.9	2.5	P - 170 2 23.49	T 180L6	56.0
	40.6	23.9	3317.5	2.3	P L 125 3 23.9	T 180L6	33.0
	40.1	73.8	3357.2	1.3	P L 115 3 73.8	T 160MB2	26.0
	40.1	36.9	3394.4	0.9	P - 132 2 36.92	T 160L4	30.0
	39.8	73.8	3379.9	1.3	P L 115 3 73.8	T 132ML2	26.0
	39.1	75.7	3443.9	2.0	P L 125 3 75.7	T 160MB2	33.0
	39.1	37.9	3448.3	1.3	P L 115 3 37.9	T 160L4	26.0
	38.8	75.7	3466.9	1.9	P L 125 3 75.7	T 132ML2	33.0
	38.8	25.0	3507.5	1.6	P - 150 2 25	T 180L6	38.0
	38.2	38.7	3521.3	2.8	P L 135 3 38.7	T 160L4	40.0
	38.2	38.7	3558.8	1.2	P - 150 2 38.7	T 160L4	38.0
	38.1	77.6	3530.5	2.7	P L 135 3 77.6	T 160MB2	40.0
	37.9	77.6	3553.9	2.7	P L 135 3 77.6	T 132ML2	40.0
	37.5	25.9	3627.1	2.3	P - 170 2 25.85	T 180L6	56.0
	37.5	25.9	3595.6	3.0	P L 135 3 25.9	T 180L6	40.0
	36.8	40.2	3657.1	2.1	P L 125 3 40.2	T 160L4	33.0
	36.8	26.4	3697.0	0.9	P - 132 2 26.35	T 180L6	30.0
	36.5	81.0	3685.2	1.8	P L 125 3 81	T 160MB2	33.0
	36.5	40.6	3694.2	1.4	P L 115 3 40.6	T 160L4	26.0
	36.4	81.3	3698.2	1.2	P L 115 3 81.3	T 160MB2	26.0
	36.3	81.0	3709.5	1.8	P L 125 3 81	T 132ML2	33.0
	36.2	81.3	3723.9	1.2	P L 115 3 81.3	T 132ML2	26.0
	36.1	26.9	3734.3	1.2	P L 115 3 26.9	T 180L6	26.0
	35.3	27.5	3858.5	1.5	P - 150 2 27.5	T 180L6	38.0
	35.2	84.0	3821.1	2.5	P L 135 3 84	T 160MB2	40.0
	35.0	84.0	3847.3	2.5	P L 135 3 84	T 132ML2	40.0
	34.9	27.8	3859.4	2.0	P L 125 3 27.8	T 180L6	33.0
	34.6	42.8	3894.0	2.7	P L 135 3 42.8	T 160L4	40.0
	34.6	42.8	3935.3	1.1	P - 150 2 42.8	T 160L4	38.0
	33.9	87.2	3967.5	1.1	P L 115 3 87.2	T 160MB2	26.0
	33.9	28.6	4017.9	2.8	P - 190 2 28.64	T 180L6	72.0
	33.9	28.6	4018.0	2.0	P - 170 2 28.64	T 180L6	56.0
	33.8	43.8	3985.1	1.9	P L 125 3 43.8	T 160L4	33.0

15



P ₁ Input Power kW	n ₂ Output speed min ⁻¹	IR ratio -	T2 Ouput torque Nm	FS' Service Factor -	 GEAR	 EU	Ptn Thermal capacity kW
	33,7	87,2	3993,4	1,1	P L 115 3 87.2	T 132ML2	26,0
	33,5	88,3	4017,2	1,7	P L 125 3 88.3	T 160MB2	33,0
	33,5	29,0	4068,4	0,9	P - 132 2 29	T 180L6	30,0
	33,3	88,3	4043,7	1,7	P L 125 3 88.3	T 132ML2	33,0
	33,1	29,3	4110,2	1,2	P - 150 2 29.3	T 180L6	38,0
	32,9	29,5	4095,4	2,7	P L 135 3 29.5	T 180L6	40,0
	32,5	45,5	4139,3	1,2	P L 115 3 45.5	T 160L4	26,0
	32,4	91,4	4157,3	2,3	P L 135 3 91.4	T 160MB2	40,0
	32,2	91,4	4185,7	2,3	P L 135 3 91.4	T 132ML2	40,0
	31,9	30,4	4219,8	1,9	P L 125 3 30.4	T 180L6	33,0
	31,7	46,7	4249,2	2,5	P L 135 3 46.7	T 160L4	40,0
	31,3	47,3	4349,4	0,9	P - 150 2 47.3	T 160L4	38,0
	30,8	31,5	4422,7	2,6	P - 190 2 31.52	T 180L6	72,0
	30,8	31,5	4422,7	1,8	P - 170 2 31.52	T 180L6	56,0
	30,3	97,6	4439,6	1,5	P L 125 3 97.6	T 160MB2	33,0
	30,2	32,1	4455,8	2,6	P L 135 3 32.1	T 180L6	40,0
	30,2	32,1	4503,3	1,2	P - 150 2 32.1	T 180L6	38,0
	30,2	32,1	4455,9	1,1	P L 115 3 32.1	T 180L6	26,0
	30,1	97,6	4470,6	1,5	P L 125 3 97.6	T 132ML2	33,0
	29,8	49,7	4521,8	1,1	P L 115 3 49.7	T 160L4	26,0
	29,6	100,1	4553,8	2,1	P L 135 3 100.1	T 160MB2	40,0
	29,4	100,1	4584,7	2,1	P L 135 3 100.1	T 132ML2	40,0
	29,2	50,7	4613,1	2,3	P L 135 3 50.7	T 160L4	40,0
	28,9	51,3	4667,5	1,6	P L 125 3 51.3	T 160L4	33,0
	28,5	103,9	4726,4	0,9	P L 115 3 103.9	T 160MB2	26,0
	28,3	103,9	4758,0	0,9	P L 115 3 103.9	T 132ML2	26,0
	27,9	106,2	4831,6	1,4	P L 125 3 106.2	T 160MB2	33,0
	27,8	34,9	4898,7	2,3	P - 190 2 34.92	T 180L6	72,0
	27,8	34,9	4898,8	1,6	P - 170 2 34.92	T 180L6	56,0
	27,7	106,2	4864,7	1,4	P L 125 3 106.2	T 132ML2	33,0
	27,6	35,1	4923,7	1,0	P - 150 2 35.1	T 180L6	38,0
	27,5	35,3	4900,2	1,7	P L 125 3 35.3	T 180L6	33,0
	27,3	54,3	4939,7	1,0	P L 115 3 54.3	T 160L4	26,0
	26,9	110,1	5009,5	1,9	P L 135 3 110.1	T 160MB2	40,0
	26,7	110,1	5043,2	1,9	P L 135 3 110.1	T 132ML2	40,0
	25,9	114,3	5199,1	0,9	P L 115 3 114.3	T 160MB2	26,0
	25,9	57,2	5205,0	1,4	P L 125 3 57.2	T 160L4	33,0
	25,7	114,3	5235,4	0,9	P L 115 3 114.3	T 132ML2	26,0
	25,6	57,8	5257,9	2,0	P L 135 3 57.8	T 160L4	40,0
	25,6	37,9	5262,1	0,9	P L 115 3 37.9	T 180L6	26,0
	25,5	116,3	5291,1	1,3	P L 125 3 116.3	T 160MB2	33,0
	25,3	116,3	5326,4	1,3	P L 125 3 116.3	T 132ML2	33,0
	25,1	38,7	5373,4	2,0	P L 135 3 38.7	T 180L6	40,0
	25,1	38,7	5430,6	0,9	P - 150 2 38.7	T 180L6	38,0
	24,8	59,7	5431,6	0,9	P L 115 3 59.7	T 160L4	26,0
	24,4	121,2	5514,3	0,8	P L 115 3 121.2	T 160MB2	26,0
	24,3	121,8	5541,4	1,7	P L 135 3 121.8	T 160MB2	40,0
	24,3	121,2	5550,5	0,8	P L 115 3 121.2	T 132ML2	26,0
	24,1	121,8	5578,1	1,7	P L 135 3 121.8	T 132ML2	40,0
	24,1	40,2	5580,3	1,5	P L 125 3 40.2	T 180L6	33,0
	23,9	40,6	5636,4	1,0	P L 115 3 40.6	T 180L6	26,0
	23,3	63,5	5776,6	1,3	P L 125 3 63.5	T 160L4	33,0
	23,1	127,9	5819,3	1,2	P L 125 3 127.9	T 160MB2	33,0
	23,1	64,1	5831,8	0,8	P L 115 3 64.1	T 160L4	26,0
	23,0	127,9	5857,0	1,2	P L 125 3 127.9	T 132ML2	33,0
	22,7	65,1	5924,2	1,8	P L 135 3 65.1	T 160L4	40,0
	22,7	42,8	5942,3	1,9	P L 135 3 42.8	T 180L6	40,0
	22,2	43,8	6079,4	1,3	P L 125 3 43.8	T 180L6	33,0
	22,1	134,1	6101,2	1,5	P L 135 3 134.1	T 160MB2	40,0
	21,9	134,1	6143,0	1,5	P L 135 3 134.1	T 132ML2	40,0
	21,4	69,2	6295,1	1,2	P L 125 3 69.2	T 160L4	33,0
	21,3	45,5	6316,0	0,9	P L 115 3 45.5	T 180L6	26,0
	21,1	140,1	6372,8	1,5	P L 135 3 140.1	T 160MB2	40,0
	21,0	140,1	6415,2	1,5	P L 135 3 140.1	T 132ML2	40,0
	20,9	141,7	6445,8	1,0	P L 125 3 141.7	T 160MB2	33,0
	20,8	46,7	6483,3	1,8	P L 135 3 46.7	T 180L6	40,0
	20,8	141,7	6489,6	1,0	P L 125 3 141.7	T 132ML2	33,0
	19,6	75,7	6887,9	1,1	P L 125 3 75.7	T 160L4	33,0
	19,3	153,3	6973,5	1,4	P L 135 3 153.3	T 160MB2	40,0
	19,2	153,3	7020,5	1,3	P L 135 3 153.3	T 132ML2	40,0
	19,1	50,7	7038,9	1,6	P L 135 3 50.7	T 180L6	40,0
	19,1	155,1	7057,2	1,0	P L 125 3 155.1	T 160MB2	33,0
	19,1	77,6	7061,2	1,5	P L 135 3 77.6	T 160L4	40,0
	19,0	155,1	7102,3	1,0	P L 125 3 155.1	T 132ML2	33,0
	18,9	51,3	7120,7	1,1	P L 125 3 51.3	T 180L6	33,0
	18,3	81,0	7370,3	1,0	P L 125 3 81	T 160L4	33,0
	17,6	84,0	7642,3	1,4	P L 135 3 84	T 160L4	40,0
	17,6	168,7	7672,5	1,2	P L 135 3 168.7	T 160MB2	40,0
	17,4	168,7	7725,6	1,2	P L 135 3 168.7	T 132ML2	40,0
	17,3	170,7	7765,8	0,9	P L 125 3 170.7	T 160MB2	33,0
	17,2	170,7	7819,7	0,9	P L 125 3 170.7	T 132ML2	33,0
	17,0	57,2	7939,4	1,0	P L 125 3 57.2	T 180L6	33,0
	16,8	57,8	8024,7	1,4	P L 135 3 57.8	T 180L6	40,0
	16,8	88,3	8034,6	0,9	P L 125 3 88.3	T 160L4	33,0
	16,3	182,2	7934,0	1,4	P E 190 182.17	T 160MB2	27,0
	16,2	91,4	8317,1	1,3	P L 135 3 91.4	T 160L4	40,0
	16,1	182,2	7988,0	1,4	P E 190 182.17	T 132ML2	27,0
	16,1	183,7	8358,4	1,1	P L 135 3 183.7	T 160MB2	40,0
	16,0	183,7	8416,0	1,1	P L 135 3 183.7	T 132ML2	40,0
	15,3	63,5	8812,7	0,9	P L 125 3 63.5	T 180L6	33,0
	15,2	97,6	8882,0	0,8	P L 125 3 97.6	T 160L4	33,0
	14,9	65,1	9037,5	1,3	P L 135 3 65.1	T 180L6	40,0
	14,8	100,1	9104,6	1,2	P L 135 3 100.1	T 160L4	40,0
	14,7	201,0	9141,6	1,0	P L 135 3 201	T 160MB2	40,0
	14,6	201,0	9203,9	1,0	P L 135 3 201	T 132ML2	40,0



15





15.0 kW

18.5 kW

HIGH TECH line Motion

P ₁ Input Power kW	n ₂ Output speed min ⁻¹	IR ratio -	T ₂ Output torque Nm	FS' Service Factor -	 GEAR	 EU	P _{tn} Thermal capacity kW
15	14,1	210,7	9176,0	1,3	P E 190 210,74	T 160MB2	27,0
	14,0	69,2	9604,5	0,9	P L 125 3 69,2	T 180L6	33,0
	14,0	210,7	9241,9	1,2	P E 190 210,74	T 132ML2	27,0
	13,8	215,0	9362,7	0,9	P E 170 215,02	T 160MB2	21,0
	13,7	215,0	9431,0	0,9	P E 170 215,02	T 132ML2	21,0
	13,4	110,1	10019,1	1,0	P L 135 3 110,1	T 160L4	40,0
	13,4	221,2	10063,9	0,9	P L 135 3 221,2	T 160MB2	40,0
	13,3	221,2	10132,2	0,9	P L 135 3 221,2	T 132ML2	40,0
	12,5	77,6	10772,3	1,1	P L 135 3 77,6	T 180L6	40,0
	12,2	121,8	11083,0	0,9	P L 135 3 121,8	T 160L4	40,0
	12,1	245,1	11147,4	0,8	P L 135 3 245,1	T 160MB2	40,0
	12,0	245,1	11221,5	0,8	P L 135 3 245,1	T 132ML2	40,0
	12,0	246,9	10753,0	1,1	P E 190 246,94	T 160MB2	27,0
	11,9	246,9	10825,2	1,1	P E 190 246,94	T 132ML2	27,0
	11,6	84,0	11658,4	1,0	P L 135 3 84	T 180L6	40,0
	11,0	134,1	12197,0	0,9	P L 135 3 134,1	T 160L4	40,0
	11,0	268,9	11710,0	1,0	P E 190 268,91	T 160MB2	27,0
	10,9	268,9	11795,7	1,0	P E 190 268,91	T 132ML2	27,0
	10,6	91,4	12691,1	0,9	P L 135 3 91,4	T 180L6	40,0
	10,6	140,1	12751,0	0,8	P L 135 3 140,1	T 160L4	40,0
	10,2	291,5	12689,4	0,9	P E 190 291,48	T 160MB2	27,0
	10,1	291,5	12777,8	0,9	P E 190 291,48	T 132ML2	27,0
	9,8	302,5	13182,0	0,9	P E 190 302,51	T 160MB2	27,0
	9,7	302,5	13264,1	0,9	P E 190 302,51	T 132ML2	27,0
	9,7	100,1	13896,4	0,8	P L 135 3 100,1	T 180L6	40,0
	9,3	317,4	13818,8	0,8	P E 190 317,42	T 160MB2	27,0
	9,3	317,4	13922,5	0,8	P E 190 317,42	T 132ML2	27,0
	9,0	329,4	14340,3	0,8	P E 190 329,43	T 160MB2	27,0
18,5	1020,7	2,9	164,4	2,9	P - 112 2 2,9	T 160L2	16,5
	870,6	3,4	192,8	2,7	P - 112 2 3,4	T 160L2	16,5
	740,0	4,0	226,8	2,7	P - 112 2 4	T 160L2	16,5
	643,5	4,6	260,8	2,5	P - 112 2 4,6	T 160L2	16,5
	548,2	5,4	306,2	2,9	P - 125 2 5,4	T 160L2	21,0
	506,9	2,9	331,1	1,8	P - 112 2 2,9	T 180M4	16,5
	485,3	6,1	345,9	2,2	P - 112 2 6,1	T 160L2	16,5
	455,4	6,5	368,6	2,9	P - 125 2 6,5	T 160L2	21,0
	435,3	6,8	385,6	2,1	P - 112 2 6,8	T 160L2	16,5
	432,4	3,4	388,2	1,6	P - 112 2 3,4	T 180M4	16,5
	374,7	7,9	448,0	1,9	P - 112 2 7,9	T 160L2	16,5
	367,5	4,0	456,7	1,6	P - 112 2 4	T 180M4	16,5
	361,0	8,2	465,0	2,9	P - 125 2 8,2	T 160L2	21,0
	332,6	8,9	504,7	1,8	P - 112 2 8,9	T 160L2	16,5
	319,6	4,6	525,2	1,6	P - 112 2 4,6	T 180M4	16,5
	305,2	9,7	550,0	1,6	P - 112 2 9,7	T 160L2	16,5
	299,0	9,9	561,4	2,6	P - 125 2 9,9	T 160L2	21,0
	272,2	5,4	616,6	1,6	P - 125 2 5,4	T 180M4	21,0
	266,7	11,1	629,4	1,5	P - 112 2 11,1	T 160L2	16,5
	241,0	6,1	696,5	1,4	P - 112 2 6,1	T 180M4	16,5
	238,7	12,4	703,1	1,6	P - 112 2 12,4	T 160L2	16,5
	236,8	12,5	708,8	2,3	P - 125 2 12,5	T 160L2	21,0
	226,2	6,5	742,2	1,6	P - 125 2 6,5	T 180M4	21,0
	216,2	6,8	776,4	1,3	P - 112 2 6,8	T 180M4	16,5
	204,1	14,5	822,2	1,5	P - 112 2 14,5	T 160L2	16,5
	196,0	15,1	856,2	2,0	P - 125 2 15,1	T 160L2	21,0
	186,1	7,9	902,0	1,2	P - 112 2 7,9	T 180M4	16,5
	181,6	16,3	924,2	1,4	P - 112 2 16,3	T 160L2	16,5
	180,6	5,4	929,6	1,2	P - 125 2 5,4	T 200LA6	21,0
	179,3	8,2	936,2	1,6	P - 125 2 8,2	T 180M4	21,0
	169,4	17,5	990,6	2,9	P - 132 2 17,47	T 160L2	30,0
	167,2	17,7	1003,7	1,4	P - 112 2 17,7	T 160L2	16,5
	165,2	8,9	1016,2	1,1	P - 112 2 8,9	T 180M4	16,5
	156,7	9,4	1071,0	2,8	P - 132 2 9,38	T 180M4	30,0
	156,5	18,9	1072,8	2,5	P - 132 2 18,92	T 160L2	30,0
	151,6	9,7	1107,5	1,0	P - 112 2 9,7	T 180M4	16,5
	150,0	6,5	1119,0	1,2	P - 125 2 6,5	T 200LA6	21,0
	148,7	19,9	1128,4	1,6	P - 125 2 19,9	T 160L2	21,0
	148,5	9,9	1130,4	1,4	P - 125 2 9,9	T 180M4	21,0
	146,5	20,2	1145,5	1,3	P - 112 2 20,2	T 160L2	16,5
	143,7	20,6	1155,8	1,9	P L 105 3 20,6	T 160L2	22,0
	142,4	10,3	1178,3	2,8	P - 132 2 10,32	T 180M4	30,0
	142,1	6,9	1180,9	3,0	P - 132 2 6,86	T 200LA6	30,0
	142,1	20,8	1181,2	2,3	P - 132 2 20,83	T 160L2	30,0
	136,4	21,7	1230,4	1,2	P - 112 2 21,7	T 160L2	16,5
	132,4	11,1	1267,4	0,9	P - 112 2 11,1	T 180M4	16,5
	131,6	22,5	1262,3	1,8	P L 105 3 22,5	T 160L2	22,0
	128,5	11,4	1306,2	2,3	P - 132 2 11,44	T 180M4	30,0
	128,3	23,1	1308,1	2,1	P - 132 2 23,07	T 160L2	30,0
	128,3	7,6	1308,3	2,5	P - 132 2 7,6	T 200LA6	30,0
	125,4	23,6	1310,1	1,1	P L 95 3 23,6	T 160L2	16,0
	123,9	23,9	1340,9	1,7	P L 105 3 23,9	T 160L2	22,0
	118,9	8,2	1411,6	1,2	P - 125 2 8,2	T 200LA6	21,0
	118,6	12,4	1415,8	1,0	P - 112 2 12,4	T 180M4	16,5
	117,9	25,1	1423,3	1,3	P - 125 2 25,1	T 160L2	21,0
	117,6	12,5	1427,2	1,3	P - 125 2 12,5	T 180M4	21,0
	116,5	25,4	1440,2	1,0	P - 112 2 25,4	T 160L2	16,5
113,8	8,6	1475,3	2,2	P - 132 2 8,57	T 200LA6	30,0	
112,3	26,4	1494,2	1,8	P - 132 2 26,35	T 160L2	30,0	
112,3	13,1	1494,6	2,2	P - 132 2 13,09	T 180M4	30,0	
110,0	26,9	1509,2	2,5	P L 115 3 26,9	T 160L2	26,0	
108,0	27,4	1520,9	1,1	P L 95 3 27,4	T 160L2	16,0	
103,9	9,4	1614,8	2,0	P - 132 2 9,38	T 200LA6	30,0	
103,5	28,6	1604,6	1,5	P L 105 3 28,6	T 160L2	22,0	





P ₁ Input Power kW	n ₂ Output speed min ⁻¹	IR ratio -	T2 Output torque Nm	FS' Service Factor -	 GEAR	 EU	P _{tn} Thermal capacity kW
18,5	102,6	14,3	1636,2	2,1	P - 132 2 14.33	T 180M4	30,0
	102,1	29,0	1644,4	1,8	P - 132 2 29	T 160L2	30,0
	101,7	29,1	1650,1	0,9	P - 112 2 29.1	T 160L2	16,5
	101,4	14,5	1655,6	0,9	P - 112 2 14.5	T 180M4	16,5
	101,0	29,3	1661,5	2,5	P - 150 2 29.3	T 160L2	38,0
	98,5	9,9	1704,3	1,0	P - 125 2 9.9	T 200LA6	21,0
	98,0	30,2	1712,5	1,2	P - 125 2 30.2	T 160L2	21,0
	97,4	15,1	1724,1	1,1	P - 125 2 15.1	T 180M4	21,0
	96,1	15,3	1746,9	3,0	P - 150 2 15.3	T 180M4	38,0
	94,6	31,3	1756,1	1,4	P L 105 3 31.3	T 160L2	22,0
	94,5	10,3	1776,5	2,0	P - 132 2 10.32	T 200LA6	30,0
	93,2	15,8	1800,7	1,9	P - 132 2 15.77	T 180M4	30,0
	92,2	32,1	1820,2	2,5	P - 150 2 32.1	T 160L2	38,0
	92,2	32,1	1801,1	2,2	P L 115 3 32.1	T 160L2	26,0
	92,1	32,1	1821,8	1,6	P - 132 2 32.13	T 160L2	30,0
	90,2	16,3	1861,2	0,9	P - 112 2 16.3	T 180M4	16,5
	90,0	32,9	1826,2	1,0	P L 95 3 32.9	T 160L2	16,0
	88,2	33,6	1902,3	1,3	P - 132 2 33.55	T 160L2	30,0
	88,0	16,7	1906,8	2,8	P - 150 2 16.7	T 180M4	38,0
	85,5	11,4	1962,4	2,8	P - 150 2 11.4	T 200LA6	38,0
	85,2	11,4	1969,3	1,7	P - 132 2 11.44	T 200LA6	30,0
	84,3	35,1	1990,3	2,0	P - 150 2 35.1	T 160L2	38,0
	84,1	17,5	1994,8	1,6	P - 132 2 17.47	T 180M4	30,0
	84,1	35,2	1974,9	1,3	P L 105 3 35.2	T 160L2	22,0
	83,1	17,7	2020,9	0,8	P - 112 2 17.7	T 180M4	16,5
	80,2	36,9	2093,5	1,3	P - 132 2 36.92	T 160L2	30,0
	78,6	12,4	2134,6	2,7	P - 150 2 12.4	T 200LA6	38,0
	78,1	37,9	2126,4	1,9	P L 115 3 37.9	T 160L2	26,0
	78,0	12,5	2151,8	0,9	P - 125 2 12.5	T 200LA6	21,0
	77,7	18,9	2160,1	1,4	P - 132 2 18.92	T 180M4	30,0
	77,5	38,2	2166,0	1,0	P - 125 2 38.2	T 160L2	21,0
	76,9	38,5	2160,1	1,2	P L 105 3 38.5	T 160L2	22,0
	76,6	19,2	2192,3	2,4	P - 150 2 19.2	T 180M4	38,0
	76,5	38,7	2194,3	1,8	P - 150 2 38.7	T 160L2	38,0
	74,5	13,1	2253,5	1,6	P - 132 2 13.09	T 200LA6	30,0
	73,9	19,9	2272,2	0,9	P - 125 2 19.9	T 180M4	21,0
	73,6	40,2	2255,5	3,0	P L 125 3 40.2	T 160L2	33,0
	73,1	40,5	2248,0	0,8	P L 95 3 40.5	T 160L2	16,0
	72,9	40,6	2277,8	2,0	P L 115 3 40.6	T 160L2	26,0
	72,4	40,9	2319,8	1,2	P - 132 2 40.91	T 160L2	30,0
	71,7	13,6	2341,2	2,4	P - 150 2 13.6	T 200LA6	38,0
	70,6	20,8	2378,4	1,3	P - 132 2 20.83	T 180M4	30,0
	70,0	21,0	2397,7	2,2	P - 150 2 21	T 180M4	38,0
	69,2	42,8	2426,9	1,6	P - 150 2 42.8	T 160L2	38,0
	68,0	14,3	2466,8	1,5	P - 132 2 14.33	T 200LA6	30,0
	67,6	43,8	2457,4	2,7	P L 125 3 43.8	T 160L2	33,0
	65,9	44,9	2519,3	1,0	P L 105 3 44.9	T 160L2	22,0
	65,6	22,4	2530,8	2,7	P L 125 3 22.4	T 180M4	33,0
	65,1	45,5	2553,1	1,8	P L 115 3 45.5	T 160L2	26,0
	64,5	22,8	2603,4	2,0	P - 150 2 22.8	T 180M4	38,0
63,7	15,3	2633,7	2,2	P - 150 2 15.3	T 200LA6	38,0	
63,7	23,1	2634,1	1,1	P - 132 2 23.07	T 180M4	30,0	
62,6	23,5	2682,0	2,8	P - 170 2 23.49	T 180M4	56,0	
62,6	47,3	2682,0	1,4	P - 150 2 47.3	T 160L2	38,0	
61,8	15,8	2714,6	1,4	P - 132 2 15.77	T 200LA6	30,0	
61,5	23,9	2699,9	2,6	P L 125 3 23.9	T 180M4	33,0	
59,6	49,7	2788,4	1,5	P L 115 3 49.7	T 160L2	26,0	
59,0	16,5	2847,2	2,9	P - 170 2 16.54	T 200LA6	56,0	
58,8	25,0	2854,4	1,8	P - 150 2 25	T 180M4	38,0	
58,4	16,7	2875,0	2,0	P - 150 2 16.7	T 200LA6	38,0	
58,4	50,7	2844,8	0,9	P L 105 3 50.7	T 160L2	22,0	
57,7	51,3	2878,2	2,3	P L 125 3 51.3	T 160L2	33,0	
56,9	25,9	2951,3	2,5	P - 170 2 25.85	T 180M4	56,0	
55,8	17,5	3007,3	1,2	P - 132 2 17.47	T 200LA6	30,0	
55,8	26,4	3008,5	1,0	P - 132 2 26.35	T 180M4	30,0	
54,7	26,9	3038,8	1,4	P L 115 3 26.9	T 180M4	26,0	
54,5	54,3	3046,7	1,5	P L 115 3 54.3	T 160L2	26,0	
54,1	18,0	3100,1	2,6	P - 170 2 18.01	T 200LA6	56,0	
53,8	55,0	3085,7	0,8	P L 105 3 55	T 160L2	22,0	
53,5	27,5	3140,2	1,7	P - 150 2 27.5	T 180M4	38,0	
52,9	27,8	3140,6	2,3	P L 125 3 27.8	T 180M4	33,0	
51,8	57,2	3209,2	2,1	P L 125 3 57.2	T 160L2	33,0	
51,5	18,9	3257,2	1,0	P - 132 2 18.92	T 200LA6	30,0	
51,3	28,6	3269,9	2,3	P - 170 2 28.64	T 180M4	56,0	
51,2	57,8	3243,0	2,9	P L 135 3 57.8	T 160L2	40,0	
50,8	19,2	3305,3	1,7	P - 150 2 19.2	T 200LA6	38,0	
50,7	29,0	3311,1	1,0	P - 132 2 29	T 180M4	30,0	
50,2	29,3	3345,4	1,4	P - 150 2 29.3	T 180M4	38,0	
49,8	29,5	3332,8	3,0	P L 135 3 29.5	T 180M4	40,0	
49,6	59,7	3349,6	1,3	P L 115 3 59.7	T 160L2	26,0	
49,5	19,7	3392,8	2,4	P - 170 2 19.71	T 200LA6	56,0	
48,4	30,4	3434,2	2,2	P L 125 3 30.4	T 180M4	33,0	
46,8	20,8	3585,5	0,9	P - 132 2 20.83	T 200LA6	30,0	
46,6	31,5	3598,6	2,9	P - 190 2 31.52	T 180M4	72,0	
46,6	31,5	3598,7	2,1	P - 170 2 31.52	T 180M4	56,0	
46,6	63,5	3563,1	1,9	P L 125 3 63.5	T 160L2	33,0	
46,4	21,0	3615,0	1,6	P - 150 2 21	T 200LA6	38,0	
46,2	64,1	3596,3	1,2	P L 115 3 64.1	T 160L2	26,0	
45,8	32,1	3626,8	2,9	P L 135 3 32.1	T 180M4	40,0	
45,8	32,1	3665,4	1,4	P - 150 2 32.1	T 180M4	38,0	
45,8	32,1	3626,8	1,2	P L 115 3 32.1	T 180M4	26,0	
45,8	32,1	3668,6	0,9	P - 132 2 32.13	T 180M4	30,0	
45,5	65,1	3652,4	2,6	P L 135 3 65.1	T 160L2	40,0	
45,4	21,5	3694,5	2,2	P - 170 2 21.46	T 200LA6	56,0	
44,7	21,8	3713,6	2,8	P L 135 3 21.8	T 200LA6	40,0	





**18.5
kW**

HIGH TECH *line* Motion

P₁ Input Power kW	n₂ Output speed min ⁻¹	IR ratio -	T₂ Output torque Nm	FS' Service Factor -	 GEAR	 EU	P_{tn} Thermal capacity kW
	43,5	22,4	3815,2	2,0	P L 125 3 22,4	T 200LA6	33,0
	42,8	69,2	3882,9	1,7	P L 125 3 69,2	T 160L2	33,0
	42,8	22,8	3925,2	1,4	P - 150 2 22,8	T 200LA6	38,0
	42,3	23,1	3971,7	0,8	P - 132 2 23,07	T 200LA6	30,0
	42,1	34,9	3986,7	2,6	P - 190 2 34,92	T 180M4	72,0
	42,1	34,9	3986,7	1,8	P - 170 2 34,92	T 180M4	56,0
	41,9	35,1	4007,7	1,1	P - 150 2 35,1	T 180M4	38,0
	41,6	35,3	3988,3	1,9	P L 125 3 35,3	T 180M4	33,0
	41,5	23,5	4043,4	2,8	P - 190 2 23,49	T 200LA6	72,0
	41,5	23,5	4043,4	2,0	P - 170 2 23,49	T 200LA6	56,0
	40,8	23,9	4071,5	1,9	P L 125 3 23,9	T 200LA6	33,0
	40,1	73,8	4140,6	1,1	P L 115 3 73,8	T 160L2	26,0
	39,1	75,7	4247,4	1,6	P L 125 3 75,7	T 160L2	33,0
	39,0	25,0	4303,7	1,3	P - 150 2 25	T 200LA6	38,0
	38,8	37,9	4281,3	1,0	P L 115 3 37,9	T 180M4	26,0
	38,1	77,6	4354,3	2,2	P L 135 3 77,6	T 160L2	40,0
	38,0	38,7	4372,7	2,3	P L 135 3 38,7	T 180M4	40,0
	38,0	38,7	4419,2	1,0	P - 150 2 38,7	T 180M4	38,0
	37,7	25,9	4449,7	2,6	P - 190 2 25,85	T 200LA6	72,0
	37,7	25,9	4449,6	1,8	P - 170 2 25,85	T 200LA6	56,0
	37,6	25,9	4412,2	2,4	P L 135 3 25,9	T 200LA6	40,0
	36,6	40,2	4541,3	1,7	P L 125 3 40,2	T 180M4	33,0
	36,5	81,0	4545,0	1,5	P L 125 3 81	T 160L2	33,0
	36,4	81,3	4561,1	1,0	P L 115 3 81,3	T 160L2	26,0
	36,3	26,9	4581,4	1,0	P L 115 3 26,9	T 200LA6	26,0
	36,2	40,6	4586,5	1,1	P L 115 3 40,6	T 180M4	26,0
	35,5	27,5	4734,5	1,2	P - 150 2 27,5	T 200LA6	38,0
	35,2	84,0	4712,6	2,0	P L 135 3 84	T 160L2	40,0
	35,1	27,8	4735,5	1,7	P L 125 3 27,8	T 200LA6	33,0
	34,4	42,8	4834,7	2,2	P L 135 3 42,8	T 180M4	40,0
	34,4	42,8	4886,1	0,9	P - 150 2 42,8	T 180M4	38,0
	34,0	28,6	4930,7	2,3	P - 190 2 28,64	T 200LA6	72,0
	34,0	28,6	4930,6	1,7	P - 170 2 28,64	T 200LA6	56,0
	33,9	87,2	4893,2	0,9	P L 115 3 87,2	T 160L2	26,0
	33,6	43,8	4948,6	1,5	P L 125 3 43,8	T 180M4	33,0
	33,5	88,3	4954,6	1,4	P L 125 3 88,3	T 160L2	33,0
	33,3	29,3	5043,4	1,0	P - 150 2 29,3	T 200LA6	38,0
	33,1	29,5	5025,0	2,2	P L 135 3 29,5	T 200LA6	40,0
	32,4	91,4	5127,3	1,8	P L 135 3 91,4	T 160L2	40,0
	32,3	45,5	5140,0	1,0	P L 115 3 45,5	T 180M4	26,0
	32,1	30,4	5178,6	1,6	P L 125 3 30,4	T 200LA6	33,0
	31,5	46,7	5275,5	2,0	P L 135 3 46,7	T 180M4	40,0
	30,9	31,5	5426,4	2,1	P - 190 2 31,52	T 200LA6	72,0
	30,9	31,5	5426,5	1,5	P - 170 2 31,52	T 200LA6	56,0
	30,4	32,1	5468,4	2,1	P L 135 3 32,1	T 200LA6	40,0
	30,4	32,1	5526,6	1,0	P - 150 2 32,1	T 200LA6	38,0
	30,4	32,1	5468,5	0,9	P L 115 3 32,1	T 200LA6	26,0
	30,3	97,6	5475,5	1,2	P L 125 3 97,6	T 160L2	33,0
	29,6	49,7	5614,6	0,9	P L 115 3 49,7	T 180M4	26,0
	29,6	100,1	5616,3	1,7	P L 135 3 100,1	T 160L2	40,0
	29,0	50,7	5728,7	1,8	P L 135 3 50,7	T 180M4	40,0
	28,7	51,3	5796,7	1,3	P L 125 3 51,3	T 180M4	33,0
	27,9	34,9	6011,6	1,9	P - 190 2 34,92	T 200LA6	72,0
	27,9	34,9	6011,5	1,3	P - 170 2 34,92	T 200LA6	56,0
	27,9	106,2	5958,9	1,1	P L 125 3 106,2	T 160L2	33,0
	27,6	35,3	6012,8	1,4	P L 125 3 35,3	T 200LA6	33,0
	27,1	54,3	6135,2	0,8	P L 115 3 54,3	T 180M4	26,0
	26,9	110,1	6178,4	1,5	P L 135 3 110,1	T 160L2	40,0
	25,7	57,2	6461,9	1,2	P L 125 3 57,2	T 180M4	33,0
	25,5	116,3	6525,7	1,0	P L 125 3 116,3	T 160L2	33,0
	25,4	57,8	6530,7	1,6	P L 135 3 57,8	T 180M4	40,0
	25,2	38,7	6592,9	1,7	P L 135 3 38,7	T 200LA6	40,0
	24,3	121,8	6834,4	1,4	P L 135 3 121,8	T 160L2	40,0
	24,3	40,2	6848,4	1,2	P L 125 3 40,2	T 200LA6	33,0
	23,2	63,5	7173,9	1,0	P L 125 3 63,5	T 180M4	33,0
	23,1	127,9	7177,1	0,9	P L 125 3 127,9	T 160L2	33,0
	22,8	42,8	7290,4	1,6	P L 135 3 42,8	T 200LA6	40,0
	22,6	65,1	7354,9	1,4	P L 135 3 65,1	T 180M4	40,0
	22,3	43,8	7460,8	1,1	P L 125 3 43,8	T 200LA6	33,0
	22,1	134,1	7524,9	1,3	P L 135 3 134,1	T 160L2	40,0
	21,2	69,2	7819,1	1,0	P L 125 3 69,2	T 180M4	33,0
	21,1	140,1	7859,8	1,2	P L 135 3 140,1	T 160L2	40,0
	20,9	141,7	7949,8	0,8	P L 125 3 141,7	T 160L2	33,0
	20,9	46,7	7953,6	1,4	P L 135 3 46,7	T 200LA6	40,0
	19,4	75,7	8551,6	0,9	P L 125 3 75,7	T 180M4	33,0
	19,3	153,3	8600,6	1,1	P L 135 3 153,3	T 160L2	40,0
	19,2	50,7	8636,3	1,3	P L 135 3 50,7	T 200LA6	40,0
	19,0	51,3	8736,0	0,9	P L 125 3 51,3	T 200LA6	33,0
	18,9	77,6	8768,6	1,2	P L 135 3 77,6	T 180M4	40,0
	18,2	81,0	9150,0	0,8	P L 125 3 81	T 180M4	33,0
	17,6	168,7	9462,8	1,0	P L 135 3 168,7	T 160L2	40,0
	17,5	84,0	9490,0	1,1	P L 135 3 84	T 180M4	40,0
	17,1	57,2	9740,2	0,8	P L 125 3 57,2	T 200LA6	33,0
	16,9	57,8	9844,6	1,2	P L 135 3 57,8	T 200LA6	40,0
	16,3	182,2	9785,2	1,2	P E 190 182,17	T 160L2	27,0
	16,1	183,7	10308,7	0,9	P L 135 3 183,7	T 160L2	40,0
	16,1	91,4	10328,1	1,0	P L 135 3 91,4	T 180M4	40,0
	15,0	65,1	11086,6	1,0	P L 135 3 65,1	T 200LA6	40,0
	14,7	201,0	11274,7	0,8	P L 135 3 201	T 160L2	40,0
	14,7	100,1	11305,4	0,9	P L 135 3 100,1	T 180M4	40,0
	14,1	210,7	11317,1	1,0	P E 190 210,74	T 160L2	27,0
	13,4	110,1	12440,0	0,8	P L 135 3 110,1	T 180M4	40,0
	12,6	77,6	13222,7	0,9	P L 135 3 77,6	T 200LA6	40,0
	12,0	246,9	13262,1	0,9	P E 190 246,94	T 160L2	27,0

18,5





P ₁ Input Power kW	n ₂ Output speed min ⁻¹	IR ratio -	T2 Ouput torque Nm	FS' Service Factor -	 GEAR	 EU	P _{tn} Thermal capacity kW
	1013,8	2,9	196,9	2,4	P - 112 2 2,9	T 180M2	16,5
	864,7	3,4	230,8	2,3	P - 112 2 3,4	T 180M2	16,5
	735,0	4,0	271,6	2,2	P - 112 2 4	T 180M2	16,5
	639,1	4,6	312,3	2,1	P - 112 2 4,6	T 180M2	16,5
	544,4	5,4	366,6	2,5	P - 125 2 5,4	T 180M2	21,0
	510,3	2,9	391,1	1,5	P - 112 2 2,9	T 180L4	16,5
	482,0	6,1	414,1	1,9	P - 112 2 6,1	T 180M2	16,5
	452,3	6,5	441,3	2,4	P - 125 2 6,5	T 180M2	21,0
	435,3	3,4	458,5	1,4	P - 112 2 3,4	T 180L4	16,5
	432,4	6,8	461,6	1,8	P - 112 2 6,8	T 180M2	16,5
	372,2	7,9	536,3	1,6	P - 112 2 7,9	T 180M2	16,5
	370,0	4,0	539,4	1,4	P - 112 2 4	T 180L4	16,5
	358,5	8,2	556,7	2,4	P - 125 2 8,2	T 180M2	21,0
	330,3	8,9	604,2	1,5	P - 112 2 8,9	T 180M2	16,5
	321,7	4,6	620,4	1,3	P - 112 2 4,6	T 180L4	16,5
	303,1	9,7	658,5	1,4	P - 112 2 9,7	T 180M2	16,5
	297,0	9,9	672,1	2,1	P - 125 2 9,9	T 180M2	21,0
	274,1	5,4	728,3	1,4	P - 125 2 5,4	T 180L4	21,0
	264,9	11,1	753,6	1,3	P - 112 2 11,1	T 180M2	16,5
	242,6	6,1	822,7	1,2	P - 112 2 6,1	T 180L4	16,5
	237,1	12,4	841,8	1,4	P - 112 2 12,4	T 180M2	16,5
	235,2	12,5	848,6	1,9	P - 125 2 12,5	T 180M2	21,0
	227,7	6,5	876,6	1,4	P - 125 2 6,5	T 180L4	21,0
	217,7	6,8	917,1	1,1	P - 112 2 6,8	T 180L4	16,5
	202,8	14,5	984,4	1,3	P - 112 2 14,5	T 180M2	16,5
	194,7	7,6	1024,9	2,9	P - 132 2 7,6	T 180L4	30,0
	194,7	15,1	1025,2	1,7	P - 125 2 15,1	T 180M2	21,0
	187,3	7,9	1065,4	1,0	P - 112 2 7,9	T 180L4	16,5
	186,4	15,8	1070,6	2,9	P - 132 2 15,77	T 180M2	30,0
	180,6	5,4	1105,4	1,0	P - 125 2 5,4	T 200LB6	21,0
	180,5	8,2	1105,9	1,4	P - 125 2 8,2	T 180L4	21,0
	180,4	16,3	1106,6	1,2	P - 112 2 16,3	T 180M2	16,5
	172,7	8,6	1155,7	2,6	P - 132 2 8,57	T 180L4	30,0
	171,4	5,7	1164,8	2,6	P - 132 2 5,69	T 200LB6	30,0
	168,3	17,5	1186,0	2,4	P - 132 2 17,47	T 180M2	30,0
	166,3	8,9	1200,3	0,9	P - 112 2 8,9	T 180L4	16,5
	166,1	17,7	1201,7	1,1	P - 112 2 17,7	T 180M2	16,5
	157,8	9,4	1265,0	2,4	P - 132 2 9,38	T 180L4	30,0
	156,5	6,2	1275,4	2,6	P - 132 2 6,23	T 200LB6	30,0
	155,4	18,9	1284,5	2,1	P - 132 2 18,92	T 180M2	30,0
	152,6	9,7	1308,1	0,8	P - 112 2 9,7	T 180L4	16,5
	150,0	6,5	1330,7	1,0	P - 125 2 6,5	T 200LB6	21,0
	149,5	9,9	1335,2	1,2	P - 125 2 9,9	T 180L4	21,0
	147,7	19,9	1351,0	1,3	P - 125 2 19,9	T 180M2	21,0
	145,5	20,2	1371,4	1,1	P - 112 2 20,2	T 180M2	16,5
	143,4	10,3	1391,8	2,4	P - 132 2 10,32	T 180L4	30,0
	142,1	6,9	1404,3	2,5	P - 132 2 6,86	T 200LB6	30,0
	141,1	20,8	1414,2	1,9	P - 132 2 20,83	T 180M2	30,0
	135,5	21,7	1473,3	1,0	P - 112 2 21,7	T 180M2	16,5
	129,4	11,4	1542,8	1,9	P - 132 2 11,44	T 180L4	30,0
	128,3	7,6	1555,8	2,1	P - 132 2 7,6	T 200LB6	30,0
	127,4	23,1	1566,2	1,7	P - 132 2 23,07	T 180M2	30,0
	119,4	12,4	1672,4	0,8	P - 112 2 12,4	T 180L4	16,5
	118,9	8,2	1678,7	1,0	P - 125 2 8,2	T 200LB6	21,0
	118,4	12,5	1685,8	1,1	P - 125 2 12,5	T 180L4	21,0
	117,6	25,0	1697,2	2,8	P - 150 2 25	T 180M2	38,0
	117,1	25,1	1704,0	1,1	P - 125 2 25,1	T 180M2	21,0
	115,8	25,4	1724,4	0,8	P - 112 2 25,4	T 180M2	16,5
	113,8	8,6	1754,4	1,9	P - 132 2 8,57	T 200LB6	30,0
	113,1	13,1	1765,4	1,9	P - 132 2 13,09	T 180L4	30,0
	111,6	26,4	1788,9	1,5	P - 132 2 26,35	T 180M2	30,0
	109,3	26,9	1807,1	2,1	P L 115 3 26,9	T 180M2	26,0
	108,8	13,6	1834,2	2,8	P - 150 2 13,6	T 180L4	38,0
	106,9	27,5	1866,9	2,5	P - 150 2 27,5	T 180M2	38,0
	103,9	9,4	1920,3	1,7	P - 132 2 9,38	T 200LB6	30,0
	103,3	14,3	1932,6	1,8	P - 132 2 14,33	T 180L4	30,0
	101,4	29,0	1968,8	1,5	P - 132 2 29	T 180M2	30,0
	100,3	29,3	1989,2	2,1	P - 150 2 29,3	T 180M2	38,0
	98,5	9,9	2026,8	0,9	P - 125 2 9,9	T 200LB6	21,0
	98,0	15,1	2036,4	0,9	P - 125 2 15,1	T 180L4	21,0
	97,4	30,2	2050,3	1,0	P - 125 2 30,2	T 180M2	21,0
	96,7	15,3	2063,4	2,5	P - 150 2 15,3	T 180L4	38,0
	96,5	10,1	2067,7	2,7	P - 150 2 10,1	T 200LB6	38,0
	94,5	10,3	2112,5	1,7	P - 132 2 10,32	T 200LB6	30,0
	93,9	15,8	2126,7	1,6	P - 132 2 15,77	T 180L4	30,0
	91,6	32,1	2179,2	2,1	P - 150 2 32,1	T 180M2	38,0
	91,6	32,1	2156,3	1,8	P L 115 3 32,1	T 180M2	26,0
	91,5	32,1	2181,4	1,3	P - 132 2 32,13	T 180M2	30,0
	88,6	16,7	2252,3	2,4	P - 150 2 16,7	T 180L4	38,0
	87,6	33,6	2277,7	1,1	P - 132 2 33,55	T 180M2	30,0
	85,5	11,4	2333,6	2,4	P - 150 2 11,4	T 200LB6	38,0
	85,2	11,4	2341,8	1,4	P - 132 2 11,44	T 200LB6	30,0
	84,7	17,5	2355,9	1,4	P - 132 2 17,47	T 180L4	30,0
	84,2	34,9	2370,8	2,7	P - 170 2 34,92	T 180M2	56,0
	83,8	35,1	2382,9	1,7	P - 150 2 35,1	T 180M2	38,0
	83,3	35,3	2371,1	2,8	P L 125 3 35,3	T 180M2	33,0
	79,6	36,9	2506,5	1,1	P - 132 2 36,92	T 180M2	30,0
	78,6	12,4	2538,4	2,2	P - 150 2 12,4	T 200LB6	38,0
	78,2	18,9	2551,7	1,2	P - 132 2 18,92	T 180L4	30,0
	77,6	37,9	2546,0	1,6	P L 115 3 37,9	T 180M2	26,0
	77,1	19,2	2589,5	2,0	P - 150 2 19,2	T 180L4	38,0
	76,0	38,7	2627,3	1,5	P - 150 2 38,7	T 180M2	38,0
	75,1	19,7	2658,1	2,8	P - 170 2 19,71	T 180L4	56,0
	74,5	13,1	2679,9	1,3	P - 132 2 13,09	T 200LB6	30,0
	73,1	40,2	2700,6	2,5	P L 125 3 40,2	T 180M2	33,0





22.0 kW

HIGH TECH line Motion

P ₁ Input Power kW	n ₂ Output speed min ⁻¹	IR ratio -	T ₂ Output torque Nm	FS' Service Factor -	 GEAR	 EU	P _{tn} Thermal capacity kW
	72.4	40.6	2727.4	1.7	P L 115 3 40.6	T 180M2	26.0
	71.9	40.9	2777.1	1.0	P - 132 2 40.91	T 180M2	30.0
	71.7	13.6	2784.2	2.0	P - 150 2 13.6	T 200LB6	38.0
	71.1	20.8	2809.2	1.1	P - 132 2 20.83	T 180L4	30.0
	70.5	21.0	2832.0	1.8	P - 150 2 21	T 180L4	38.0
	69.0	21.5	2893.9	2.6	P - 170 2 21.46	T 180L4	56.0
	68.7	42.8	2905.7	1.3	P - 150 2 42.8	T 180M2	38.0
	68.0	14.3	2933.5	1.3	P - 132 2 14.33	T 200LB6	30.0
	67.1	43.8	2942.4	2.3	P L 125 3 43.8	T 180M2	33.0
	67.1	14.5	2976.4	2.7	P - 170 2 14.54	T 200LB6	56.0
	66.1	22.4	2989.2	2.3	P L 125 3 22.4	T 180L4	33.0
	64.9	22.8	3074.9	1.7	P - 150 2 22.8	T 180L4	38.0
	64.6	45.5	3056.2	1.5	P L 115 3 45.5	T 180M2	26.0
	64.2	23.1	3111.4	1.0	P - 132 2 23.07	T 180L4	30.0
	63.7	15.3	3131.9	1.8	P - 150 2 15.3	T 200LB6	38.0
	63.0	23.5	3167.7	2.4	P - 170 2 23.49	T 180L4	56.0
	62.2	47.3	3211.0	1.1	P - 150 2 47.3	T 180M2	38.0
	61.9	23.9	3189.5	2.2	P L 125 3 23.9	T 180L4	33.0
	61.8	15.8	3228.1	1.2	P - 132 2 15.77	T 200LB6	30.0
	59.2	25.0	3371.5	1.5	P - 150 2 25	T 180L4	38.0
	59.2	49.7	3338.8	1.3	P L 115 3 49.7	T 180M2	26.0
	59.0	16.5	3385.9	2.4	P - 170 2 16.54	T 200LB6	56.0
	58.4	16.7	3418.9	1.7	P - 150 2 16.7	T 200LB6	38.0
	58.0	50.7	3405.6	2.8	P L 135 3 50.7	T 180M2	40.0
	57.3	51.3	3446.0	2.0	P L 125 3 51.3	T 180M2	33.0
	57.3	25.9	3486.4	2.2	P - 170 2 25.85	T 180L4	56.0
	57.1	25.9	3456.3	2.8	P L 135 3 25.9	T 180L4	40.0
	56.2	26.4	3553.4	0.8	P - 132 2 26.35	T 180L4	30.0
	55.8	17.5	3576.3	1.0	P - 132 2 17.47	T 200LB6	30.0
	55.0	26.9	3589.5	1.2	P L 115 3 26.9	T 180L4	26.0
	54.1	18.0	3686.7	2.2	P - 170 2 18.01	T 200LB6	56.0
	54.1	54.3	3647.9	1.2	P L 115 3 54.3	T 180M2	26.0
	53.8	27.5	3708.5	1.4	P - 150 2 27.5	T 180L4	38.0
	53.2	27.8	3709.5	1.9	P L 125 3 27.8	T 180L4	33.0
	51.7	28.6	3862.1	2.7	P - 190 2 28.64	T 180L4	72.0
	51.7	28.6	3862.1	1.9	P - 170 2 28.64	T 180L4	56.0
	51.5	18.9	3873.4	0.8	P - 132 2 18.92	T 200LB6	30.0
	51.4	57.2	3842.3	1.8	P L 125 3 57.2	T 180M2	33.0
	51.1	19.1	3868.7	2.5	P L 135 3 19.1	T 200LB6	40.0
	51.0	29.0	3911.3	0.8	P - 132 2 29	T 180L4	30.0
	50.9	57.8	3882.4	2.4	P L 135 3 57.8	T 180M2	40.0
	50.8	19.2	3930.6	1.4	P - 150 2 19.2	T 200LB6	38.0
	50.5	29.3	3951.5	1.2	P - 150 2 29.3	T 180L4	38.0
	50.2	29.5	3936.5	2.5	P L 135 3 29.5	T 180L4	40.0
	49.5	19.7	4034.7	2.8	P - 190 2 19.71	T 200LB6	72.0
	49.5	19.7	4034.7	2.0	P - 170 2 19.71	T 200LB6	56.0
	49.3	59.7	4010.0	1.1	P L 115 3 59.7	T 180M2	26.0
	48.7	30.4	4056.9	1.8	P L 125 3 30.4	T 180L4	33.0
	47.0	31.5	4251.2	2.5	P - 190 2 31.52	T 180L4	72.0
	47.0	31.5	4251.3	1.8	P - 170 2 31.52	T 180L4	56.0
	46.4	21.0	4298.9	1.3	P - 150 2 21	T 200LB6	38.0
	46.3	63.5	4265.5	1.6	P L 125 3 63.5	T 180M2	33.0
	46.1	32.1	4283.1	2.5	P L 135 3 32.1	T 180L4	40.0
	46.1	32.1	4328.7	1.2	P - 150 2 32.1	T 180L4	38.0
	46.1	32.1	4283.2	1.0	P L 115 3 32.1	T 180L4	26.0
	45.9	64.1	4305.5	1.0	P L 115 3 64.1	T 180M2	26.0
	45.4	21.5	4393.4	2.6	P - 190 2 21.46	T 200LB6	72.0
	45.4	21.5	4393.4	1.9	P - 170 2 21.46	T 200LB6	56.0
	45.2	65.1	4373.3	2.2	P L 135 3 65.1	T 180M2	40.0
	44.7	21.8	4416.2	2.3	P L 135 3 21.8	T 200LB6	40.0
	43.5	22.4	4537.0	1.7	P L 125 3 22.4	T 200LB6	33.0
	42.8	22.8	4667.8	1.2	P - 150 2 22.8	T 200LB6	38.0
	42.5	69.2	4648.0	1.5	P L 125 3 69.2	T 180M2	33.0
	42.4	34.9	4709.7	2.2	P - 190 2 34.92	T 180L4	72.0
	42.4	34.9	4709.6	1.5	P - 170 2 34.92	T 180L4	56.0
	42.2	35.1	4733.0	0.9	P - 150 2 35.1	T 180L4	38.0
	41.9	35.3	4710.1	1.6	P L 125 3 35.3	T 180L4	33.0
	41.5	23.5	4808.3	2.4	P - 190 2 23.49	T 200LB6	72.0
	41.5	23.5	4808.3	1.7	P - 170 2 23.49	T 200LB6	56.0
	40.8	23.9	4841.7	1.6	P L 125 3 23.9	T 200LB6	33.0
	39.8	73.8	4957.2	0.9	P L 115 3 73.8	T 180M2	26.0
	39.1	37.9	5057.5	0.9	P L 115 3 37.9	T 180L4	26.0
	39.0	25.0	5117.9	1.1	P - 150 2 25	T 200LB6	38.0
	38.8	75.7	5084.7	1.3	P L 125 3 75.7	T 180M2	33.0
	38.2	38.7	5164.6	1.9	P L 135 3 38.7	T 180L4	40.0
	38.2	38.7	5219.6	0.8	P - 150 2 38.7	T 180L4	38.0
	37.9	77.6	5212.4	1.8	P L 135 3 77.6	T 180M2	40.0
	37.7	25.9	5291.5	2.2	P - 190 2 25.85	T 200LB6	72.0
	37.7	25.9	5291.4	1.5	P - 170 2 25.85	T 200LB6	56.0
	37.6	25.9	5246.9	2.0	P L 135 3 25.9	T 200LB6	40.0
	36.8	40.2	5363.8	1.4	P L 125 3 40.2	T 180L4	33.0
	36.5	40.6	5418.2	0.9	P L 115 3 40.6	T 180L4	26.0
	36.3	81.0	5440.6	1.2	P L 125 3 81	T 180M2	33.0
	36.3	26.9	5448.2	0.8	P L 115 3 26.9	T 200LB6	26.0
	36.2	81.3	5461.8	0.8	P L 115 3 81.3	T 180M2	26.0
	35.5	27.5	5630.2	1.0	P - 150 2 27.5	T 200LB6	38.0
	35.1	27.8	5631.4	1.4	P L 125 3 27.8	T 200LB6	33.0
	35.0	84.0	5642.7	1.7	P L 135 3 84	T 180M2	40.0
	34.6	42.8	5711.2	1.8	P L 135 3 42.8	T 180L4	40.0
	34.0	28.6	5863.5	2.0	P - 190 2 28.64	T 200LB6	72.0
	34.0	28.6	5863.5	1.4	P - 170 2 28.64	T 200LB6	56.0
	33.8	43.8	5844.8	1.3	P L 125 3 43.8	T 180L4	33.0
	33.3	88.3	5930.7	1.1	P L 125 3 88.3	T 180M2	33.0
	33.3	29.3	5997.5	0.9	P - 150 2 29.3	T 200LB6	38.0
	33.1	29.5	5975.7	1.8	P L 135 3 29.5	T 200LB6	40.0



22



P ₁ Input Power kW	n ₂ Output speed min ⁻¹	IR ratio -	T ₂ Output torque Nm	FS' Service Factor -	 GEAR	 EU	P _{tn} Thermal capacity kW
22	32.5	45.5	6071.0	0.8	P L 115 3 45.5	T 180L4	26.0
	32.2	91.4	6139.1	1.5	P L 135 3 91.4	T 180M2	40.0
	32.1	30.4	6158.3	1.3	P L 125 3 30.4	T 200LB6	33.0
	31.7	46.7	6232.1	1.7	P L 135 3 46.7	T 180L4	40.0
	30.9	31.5	6453.0	1.8	P - 190 2 31.52	T 200LB6	72.0
	30.9	31.5	6453.2	1.3	P - 170 2 31.52	T 200LB6	56.0
	30.4	32.1	6502.9	1.8	P L 135 3 32.1	T 200LB6	40.0
	30.4	32.1	6572.2	0.8	P - 150 2 32.1	T 200LB6	38.0
	30.1	97.6	6556.9	1.0	P L 125 3 97.6	T 180M2	33.0
	29.4	100.1	6724.2	1.4	P L 135 3 100.1	T 180M2	40.0
	29.2	50.7	6765.9	1.6	P L 135 3 50.7	T 180L4	40.0
	28.9	51.3	6845.6	1.1	P L 125 3 51.3	T 180L4	33.0
	27.9	34.9	7148.9	1.6	P - 190 2 34.92	T 200LB6	72.0
	27.9	34.9	7148.8	1.1	P - 170 2 34.92	T 200LB6	56.0
	27.7	106.2	7135.0	0.9	P L 125 3 106.2	T 180M2	33.0
	27.6	35.3	7150.4	1.1	P L 125 3 35.3	T 200LB6	33.0
	26.7	110.1	7396.7	1.3	P L 135 3 110.1	T 180M2	40.0
	25.9	57.2	7633.9	1.0	P L 125 3 57.2	T 180L4	33.0
	25.6	57.8	7711.6	1.4	P L 135 3 57.8	T 180L4	40.0
	25.3	116.3	7812.1	0.9	P L 125 3 116.3	T 180M2	33.0
	25.2	38.7	7840.2	1.4	P L 135 3 38.7	T 200LB6	40.0
	24.3	40.2	8144.0	1.0	P L 125 3 40.2	T 200LB6	33.0
	24.1	121.8	8181.2	1.2	P L 135 3 121.8	T 180M2	40.0
	23.3	63.5	8472.4	0.9	P L 125 3 63.5	T 180L4	33.0
	22.8	42.8	8669.7	1.3	P L 135 3 42.8	T 200LB6	40.0
	22.7	65.1	8688.8	1.2	P L 135 3 65.1	T 180L4	40.0
	22.3	43.8	8872.4	0.9	P L 125 3 43.8	T 200LB6	33.0
	21.9	134.1	9009.8	1.0	P L 135 3 134.1	T 180M2	40.0
	21.4	69.2	9232.8	0.8	P L 125 3 69.2	T 180L4	33.0
	21.0	140.1	9408.9	1.0	P L 135 3 140.1	T 180M2	40.0
	20.9	46.7	9458.4	1.2	P L 135 3 46.7	T 200LB6	40.0
	19.2	50.7	10270.1	1.1	P L 135 3 50.7	T 200LB6	40.0
	19.2	153.3	10296.7	0.9	P L 135 3 153.3	T 180M2	40.0
	19.1	77.6	10356.4	1.0	P L 135 3 77.6	T 180L4	40.0
	17.6	84.0	11208.7	0.9	P L 135 3 84	T 180L4	40.0
	17.4	168.7	11330.9	0.8	P L 135 3 168.7	T 180M2	40.0
	16.9	57.8	11707.1	1.0	P L 135 3 57.8	T 200LB6	40.0
	16.2	91.4	12198.3	0.9	P L 135 3 91.4	T 180L4	40.0
	16.1	182.2	11715.7	1.0	P E 190 182.17	T 180M2	27.0
	15.0	65.1	13184.1	0.9	P L 135 3 65.1	T 200LB6	40.0
14.0	210.7	13554.8	0.8	P E 190 210.74	T 180M2	27.0	
30	545.4	5.4	499.1	1.8	P - 125 2 5.4	T 200LA2	21.0
	453.1	6.5	600.7	1.8	P - 125 2 6.5	T 200LA2	21.0
	359.2	8.2	757.8	1.8	P - 125 2 8.2	T 200LA2	21.0
	297.5	9.9	915.0	1.6	P - 125 2 9.9	T 200LA2	21.0
	270.4	5.4	1006.7	1.0	P - 125 2 5.4	T 200L4	21.0
	257.4	11.4	1057.3	2.6	P - 132 2 11.44	T 200LA2	30.0
	256.6	5.7	1060.7	2.6	P - 132 2 5.69	T 200L4	30.0
	235.6	12.5	1155.2	1.4	P - 125 2 12.5	T 200LA2	21.0
	234.4	6.2	1161.4	2.6	P - 132 2 6.23	T 200L4	30.0
	225.0	13.1	1209.8	2.5	P - 132 2 13.09	T 200LA2	30.0
	224.6	6.5	1211.7	1.0	P - 125 2 6.5	T 200L4	21.0
	212.8	6.9	1278.8	2.5	P - 132 2 6.86	T 200L4	30.0
	205.5	14.3	1324.4	2.4	P - 132 2 14.33	T 200LA2	30.0
	195.0	15.1	1395.5	1.2	P - 125 2 15.1	T 200LA2	21.0
	192.1	7.6	1416.8	2.1	P - 132 2 7.6	T 200L4	30.0
	186.8	15.8	1457.4	2.2	P - 132 2 15.77	T 200LA2	30.0
	178.1	8.2	1528.6	1.0	P - 125 2 8.2	T 200L4	21.0
	170.4	8.6	1597.6	1.9	P - 132 2 8.57	T 200L4	30.0
	168.6	17.5	1614.6	1.8	P - 132 2 17.47	T 200LA2	30.0
	155.7	18.9	1748.5	1.5	P - 132 2 18.92	T 200LA2	30.0
	155.7	9.4	1748.6	1.7	P - 132 2 9.38	T 200L4	30.0
	153.4	19.2	1774.4	2.6	P - 150 2 19.2	T 200LA2	38.0
	148.0	19.9	1839.2	1.0	P - 125 2 19.9	T 200LA2	21.0
	147.5	9.9	1845.7	0.9	P - 125 2 9.9	T 200L4	21.0
	144.6	10.1	1882.9	2.7	P - 150 2 10.1	T 200L4	38.0
	141.5	10.3	1923.9	1.7	P - 132 2 10.32	T 200L4	30.0
	141.4	20.8	1925.1	1.4	P - 132 2 20.83	T 200LA2	30.0
	140.2	21.0	1940.8	2.4	P - 150 2 21	T 200LA2	38.0
	129.2	22.8	2107.1	2.2	P - 150 2 22.8	T 200LA2	38.0
	128.1	11.4	2125.2	2.4	P - 150 2 11.4	T 200L4	38.0
	127.7	23.1	2132.2	1.3	P - 132 2 23.07	T 200LA2	30.0
	127.6	11.4	2132.7	1.4	P - 132 2 11.44	T 200L4	30.0
	123.2	23.9	2185.6	2.9	P L 125 3 23.9	T 200LA2	33.0
	117.8	25.0	2310.5	2.0	P - 150 2 25	T 200LA2	38.0
	117.7	12.4	2311.7	2.2	P - 150 2 12.4	T 200L4	38.0
	117.3	25.1	2319.8	0.8	P - 125 2 25.1	T 200LA2	21.0
	113.9	25.9	2389.0	2.8	P - 170 2 25.85	T 200LA2	56.0
	111.8	26.4	2435.4	1.1	P - 132 2 26.35	T 200LA2	30.0
	111.5	13.1	2440.2	1.4	P - 132 2 13.09	T 200L4	30.0
	109.5	26.9	2459.9	1.5	P L 115 3 26.9	T 200LA2	26.0
107.4	13.6	2535.4	2.1	P - 150 2 13.6	T 200L4	38.0	
107.1	27.5	2541.5	1.8	P - 150 2 27.5	T 200LA2	38.0	
105.9	27.8	2542.1	2.5	P L 125 3 27.8	T 200LA2	33.0	
102.8	28.6	2646.9	2.6	P - 170 2 28.64	T 200LA2	56.0	
101.9	14.3	2671.6	1.3	P - 132 2 14.33	T 200L4	30.0	
101.6	29.0	2680.2	1.1	P - 132 2 29	T 200LA2	30.0	
100.5	29.3	2708.0	1.6	P - 150 2 29.3	T 200LA2	38.0	
100.4	14.5	2710.6	2.8	P - 170 2 14.54	T 200L4	56.0	
96.9	30.4	2779.8	2.4	P L 125 3 30.4	T 200LA2	33.0	
95.4	15.3	2852.4	1.8	P - 150 2 15.3	T 200L4	38.0	
93.4	31.5	2913.1	2.3	P - 170 2 31.52	T 200LA2	56.0	



HIGH TECH *line* Motion

P ₁ Input Power kW	n ₂ Output speed min ⁻¹	IR ratio -	T ₂ Output torque Nm	FS' Service Factor -	 GEAR	 EU	P _{tn} Thermal capacity kW
30	92.6	15.8	2939.9	1.2	P - 132 2 15.77	T 200L4	30.0
	91.7	32.1	2966.8	1.5	P - 150 2 32.1	T 200LA2	38.0
	91.7	32.1	2935.6	1.3	P L 115 3 32.1	T 200LA2	26.0
	91.7	32.1	2969.4	1.0	P - 132 2 32.13	T 200LA2	30.0
	88.3	16.5	3083.4	2.4	P - 170 2 16.54	T 200L4	56.0
	87.8	33.6	3100.6	0.8	P - 132 2 33.55	T 200LA2	30.0
	87.4	16.7	3113.1	1.7	P - 150 2 16.7	T 200L4	38.0
	84.3	34.9	3227.1	2.9	P - 190 2 34.92	T 200LA2	72.0
	84.3	34.9	3227.1	2.0	P - 170 2 34.92	T 200LA2	56.0
	83.9	35.1	3244.0	1.2	P - 150 2 35.1	T 200LA2	38.0
	83.6	17.5	3256.9	1.0	P - 132 2 17.47	T 200L4	30.0
	83.4	35.3	3228.0	2.1	P L 125 3 35.3	T 200LA2	33.0
	81.1	18.0	3357.3	2.2	P - 170 2 18.01	T 200L4	56.0
	77.7	37.9	3466.0	1.1	P L 115 3 37.9	T 200LA2	26.0
	77.2	18.9	3526.9	0.9	P - 132 2 18.92	T 200L4	30.0
	76.4	19.1	3523.1	2.6	P L 135 3 19.1	T 200L4	40.0
	76.1	38.7	3538.9	2.5	P L 135 3 38.7	T 200LA2	40.0
	76.1	38.7	3576.5	1.1	P - 150 2 38.7	T 200LA2	38.0
	76.0	19.2	3579.4	1.5	P - 150 2 19.2	T 200L4	38.0
	74.1	19.7	3674.6	2.9	P - 190 2 19.71	T 200L4	72.0
	74.1	19.7	3674.5	2.0	P - 170 2 19.71	T 200L4	56.0
	73.3	40.2	3676.1	1.8	P L 125 3 40.2	T 200LA2	33.0
	72.5	40.6	3712.6	1.2	P L 115 3 40.6	T 200LA2	26.0
	69.5	21.0	3915.1	1.3	P - 150 2 21	T 200L4	38.0
	68.8	42.8	3913.8	2.4	P L 135 3 42.8	T 200LA2	40.0
	68.8	42.8	3955.4	1.0	P - 150 2 42.8	T 200LA2	38.0
	68.0	21.5	4000.8	2.6	P - 190 2 21.46	T 200L4	72.0
	68.0	21.5	4000.8	1.9	P - 170 2 21.46	T 200L4	56.0
	67.2	43.8	4005.2	1.7	P L 125 3 43.8	T 200LA2	33.0
	67.0	21.8	4021.3	2.4	P L 135 3 21.8	T 200L4	40.0
	65.2	22.4	4131.8	1.7	P L 125 3 22.4	T 200L4	33.0
	64.7	45.5	4160.5	1.1	P L 115 3 45.5	T 200LA2	26.0
	64.0	22.8	4250.1	1.2	P - 150 2 22.8	T 200L4	38.0
	63.1	46.7	4270.7	2.2	P L 135 3 46.7	T 200LA2	40.0
	62.3	47.3	4371.5	0.8	P - 150 2 47.3	T 200LA2	38.0
	62.2	23.5	4379.3	2.4	P - 190 2 23.49	T 200L4	72.0
	62.2	23.5	4379.3	1.7	P - 170 2 23.49	T 200L4	56.0
	61.1	23.9	4408.4	1.6	P L 125 3 23.9	T 200L4	33.0
	59.3	49.7	4544.5	1.0	P L 115 3 49.7	T 200LA2	26.0
	58.4	25.0	4660.5	1.1	P - 150 2 25	T 200L4	38.0
	58.1	50.7	4636.1	2.0	P L 135 3 50.7	T 200LA2	40.0
	57.4	51.3	4691.0	1.4	P L 125 3 51.3	T 200LA2	33.0
	56.5	25.9	4818.9	2.2	P - 190 2 25.85	T 200L4	72.0
	56.5	25.9	4818.9	1.6	P - 170 2 25.85	T 200L4	56.0
	56.4	25.9	4777.5	2.1	P L 135 3 25.9	T 200L4	40.0
	54.3	26.9	4961.4	0.8	P L 115 3 26.9	T 200L4	26.0
	54.2	54.3	4965.2	0.9	P L 115 3 54.3	T 200LA2	26.0
	53.1	27.5	5126.7	1.0	P - 150 2 27.5	T 200L4	38.0
	52.5	27.8	5127.7	1.4	P L 125 3 27.8	T 200L4	33.0
	51.5	57.2	5230.4	1.3	P L 125 3 57.2	T 200LA2	33.0
51.0	28.6	5338.9	2.0	P - 190 2 28.64	T 200L4	72.0	
51.0	28.6	5338.8	1.4	P - 170 2 28.64	T 200L4	56.0	
51.0	57.8	5285.7	1.8	P L 135 3 57.8	T 200LA2	40.0	
49.8	29.3	5462.2	0.9	P - 150 2 29.3	T 200L4	38.0	
49.5	29.5	5441.7	1.8	P L 135 3 29.5	T 200L4	40.0	
49.3	59.7	5459.4	0.8	P L 115 3 59.7	T 200LA2	26.0	
48.0	30.4	5607.1	1.3	P L 125 3 30.4	T 200L4	33.0	
46.4	63.5	5806.6	1.2	P L 125 3 63.5	T 200LA2	33.0	
46.3	31.5	5876.0	1.8	P - 190 2 31.52	T 200L4	72.0	
46.3	31.5	5875.9	1.3	P - 170 2 31.52	T 200L4	56.0	
45.5	32.1	5921.5	1.8	P L 135 3 32.1	T 200L4	40.0	
45.5	32.1	5984.4	0.8	P - 150 2 32.1	T 200L4	38.0	
45.2	65.1	5952.9	1.6	P L 135 3 65.1	T 200LA2	40.0	
42.6	69.2	6327.7	1.1	P L 125 3 69.2	T 200LA2	33.0	
41.8	34.9	6509.7	1.6	P - 190 2 34.92	T 200L4	72.0	
41.8	34.9	6509.8	1.1	P - 170 2 34.92	T 200L4	56.0	
41.4	35.3	6511.4	1.2	P L 125 3 35.3	T 200L4	33.0	
38.9	75.7	6923.1	1.0	P L 125 3 75.7	T 200LA2	33.0	
38.0	77.6	7096.4	1.3	P L 135 3 77.6	T 200LA2	40.0	
37.7	38.7	7137.8	1.4	P L 135 3 38.7	T 200L4	40.0	
36.4	81.0	7406.7	0.9	P L 125 3 81	T 200LA2	33.0	
36.3	40.2	7415.0	1.0	P L 125 3 40.2	T 200L4	33.0	
35.1	84.0	7681.5	1.2	P L 135 3 84	T 200LA2	40.0	
34.1	42.8	7895.3	1.3	P L 135 3 42.8	T 200L4	40.0	
33.4	88.3	8075.1	0.8	P L 125 3 88.3	T 200LA2	33.0	
33.3	43.8	8080.2	0.9	P L 125 3 43.8	T 200L4	33.0	
32.2	91.4	8358.4	1.1	P L 135 3 91.4	T 200LA2	40.0	
31.3	46.7	8615.3	1.2	P L 135 3 46.7	T 200L4	40.0	
29.4	100.1	9154.0	1.0	P L 135 3 100.1	T 200LA2	40.0	
28.8	50.7	9351.1	1.1	P L 135 3 50.7	T 200L4	40.0	
26.8	110.1	10067.8	0.9	P L 135 3 110.1	T 200LA2	40.0	
25.3	57.8	10661.3	1.0	P L 135 3 57.8	T 200L4	40.0	
24.2	121.8	11137.7	0.8	P L 135 3 121.8	T 200LA2	40.0	
22.4	65.1	12006.9	0.9	P L 135 3 65.1	T 200L4	40.0	





P ₁ Input Power kW	n ₂ Output speed min ⁻¹	IR ratio -	T ₂ Output torque Nm	FS' Service Factor -	 GEAR	 EU	P _{tn} Thermal capacity kW
	548,2	5,4	612,4	1,5	P - 125 2 5.4	VL2 IE2 200L22	21,0
	455,4	6,5	737,1	1,5	P - 125 2 6.5	VL2 IE2 200L22	21,0
	361,0	8,2	929,9	1,5	P - 125 2 8.2	VL2 IE2 200L22	21,0
	345,4	8,6	971,9	2,8	P - 132 2 8.57	VL2 IE2 200L22	30,0
	315,6	9,4	1063,7	2,5	P - 132 2 9.38	VL2 IE2 200L22	30,0
	299,0	9,9	1122,7	1,3	P - 125 2 9.9	VL2 IE2 200L22	21,0
	286,8	10,3	1170,4	2,5	P - 132 2 10.32	VL2 IE2 200L22	30,0
	258,7	11,4	1297,4	2,1	P - 132 2 11.44	VL2 IE2 200L22	30,0
	236,8	12,5	1417,6	1,1	P - 125 2 12.5	VL2 IE2 200L22	21,0
	226,1	13,1	1484,5	2,0	P - 132 2 13.09	VL2 IE2 200L22	30,0
	206,6	14,3	1625,1	1,9	P - 132 2 14.33	VL2 IE2 200L22	30,0
	196,0	15,1	1712,4	1,0	P - 125 2 15.1	VL2 IE2 200L22	21,0
	193,5	15,3	1735,2	2,7	P - 150 2 15.3	VL2 IE2 200L22	38,0
	187,7	15,8	1788,4	1,8	P - 132 2 15.77	VL2 IE2 200L22	30,0
	177,3	16,7	1893,8	2,5	P - 150 2 16.7	VL2 IE2 200L22	38,0
	176,2	8,4	1905,2	2,6	P - 150 2 8.4	VL2 IE2 225S4	38,0
	169,4	17,5	1981,3	1,5	P - 132 2 17.47	VL2 IE2 200L22	30,0
	160,9	9,2	2086,7	2,5	P - 150 2 9.2	VL2 IE2 225S4	38,0
	156,5	18,9	2145,6	1,3	P - 132 2 18.92	VL2 IE2 200L22	30,0
	154,2	19,2	2177,3	2,1	P - 150 2 19.2	VL2 IE2 200L22	38,0
	146,5	10,1	2290,9	2,2	P - 150 2 10.1	VL2 IE2 225S4	38,0
	142,1	20,8	2362,3	1,1	P - 132 2 20.83	VL2 IE2 200L22	30,0
	141,0	21,0	2381,6	2,0	P - 150 2 21	VL2 IE2 200L22	38,0
	137,9	21,5	2433,7	2,8	P - 170 2 21.46	VL2 IE2 200L22	56,0
	132,5	11,2	2533,5	3,0	P - 170 2 11.17	VL2 IE2 225S4	56,0
	132,1	22,4	2513,6	2,5	P L 125 3 22.4	VL2 IE2 200L22	33,0
	129,8	11,4	2585,7	2,0	P - 150 2 11.4	VL2 IE2 225S4	38,0
	129,8	22,8	2585,8	1,8	P - 150 2 22.8	VL2 IE2 200L22	38,0
	128,3	23,1	2616,2	1,0	P - 132 2 23.07	VL2 IE2 200L22	30,0
	126,0	23,5	2663,9	2,5	P - 170 2 23.49	VL2 IE2 200L22	56,0
	123,9	23,9	2681,9	2,3	P L 125 3 23.9	VL2 IE2 200L22	33,0
	121,3	12,2	2767,2	2,6	P - 170 2 12.2	VL2 IE2 225S4	56,0
	119,8	8,2	2802,0	2,9	P - 170 2 8.18	VL2 IE2 250M6	56,0
	119,4	12,4	2812,6	1,8	P - 150 2 12.4	VL2 IE2 225S4	38,0
	118,4	25,0	2835,2	1,7	P - 150 2 25	VL2 IE2 200L22	38,0
	114,5	25,9	2931,5	2,3	P - 170 2 25.85	VL2 IE2 200L22	56,0
	112,3	26,4	2988,3	0,9	P - 132 2 26.35	VL2 IE2 200L22	30,0
	111,4	13,3	3014,4	2,5	P - 170 2 13.29	VL2 IE2 225S4	56,0
	110,0	26,9	3018,5	1,3	P L 115 3 26.9	VL2 IE2 200L22	26,0
	108,8	13,6	3084,8	1,7	P - 150 2 13.6	VL2 IE2 225S4	38,0
	107,6	27,5	3118,5	1,5	P - 150 2 27.5	VL2 IE2 200L22	38,0
	106,5	27,8	3119,6	2,1	P L 125 3 27.8	VL2 IE2 200L22	33,0
	104,6	9,4	3209,5	2,5	P - 170 2 9.37	VL2 IE2 250M6	56,0
	103,4	28,6	3248,0	2,9	P - 190 2 28.64	VL2 IE2 200L22	72,0
	103,4	28,6	3248,0	2,1	P - 170 2 28.64	VL2 IE2 200L22	56,0
	102,1	29,0	3288,8	0,9	P - 132 2 29	VL2 IE2 200L22	30,0
	101,8	14,5	3297,8	2,3	P - 170 2 14.54	VL2 IE2 225S4	56,0
	101,0	29,3	3322,9	1,3	P - 150 2 29.3	VL2 IE2 200L22	38,0
	100,3	29,5	3310,2	2,7	P L 135 3 29.5	VL2 IE2 200L22	40,0
	97,4	30,4	3411,2	2,0	P L 125 3 30.4	VL2 IE2 200L22	33,0
	96,7	15,3	3470,3	1,5	P - 150 2 15.3	VL2 IE2 225S4	38,0
	96,1	10,2	3493,8	2,3	P - 170 2 10.2	VL2 IE2 250M6	56,0
	93,9	31,5	3574,5	2,6	P - 190 2 31.52	VL2 IE2 200L22	72,0
	93,9	31,5	3574,5	1,9	P - 170 2 31.52	VL2 IE2 200L22	56,0
	92,2	32,1	3602,1	2,6	P L 135 3 32.1	VL2 IE2 200L22	40,0
	92,2	32,1	3640,4	1,2	P - 150 2 32.1	VL2 IE2 200L22	38,0
	92,2	32,1	3602,1	1,1	P L 115 3 32.1	VL2 IE2 200L22	26,0
	89,5	16,5	3751,5	2,8	P - 190 2 16.54	VL2 IE2 225S4	72,0
	89,5	16,5	3751,5	2,0	P - 170 2 16.54	VL2 IE2 225S4	56,0
	88,6	16,7	3787,9	1,4	P - 150 2 16.7	VL2 IE2 225S4	38,0
	87,7	11,2	3825,9	3,0	P - 190 2 11.17	VL2 IE2 250M6	72,0
	87,7	11,2	3825,9	2,1	P - 170 2 11.17	VL2 IE2 250M6	56,0
	84,8	34,9	3959,9	2,4	P - 190 2 34.92	VL2 IE2 200L22	72,0
	84,8	34,9	3959,9	1,6	P - 170 2 34.92	VL2 IE2 200L22	56,0
	84,3	35,1	3980,5	1,0	P - 150 2 35.1	VL2 IE2 200L22	38,0
	83,9	35,3	3961,2	1,7	P L 125 3 35.3	VL2 IE2 200L22	33,0
	82,2	18,0	4084,7	2,6	P - 190 2 18.01	VL2 IE2 225S4	72,0
	82,2	18,0	4084,7	1,8	P - 170 2 18.01	VL2 IE2 225S4	56,0
	80,3	12,2	4178,8	2,7	P - 190 2 12.2	VL2 IE2 250M6	72,0
	80,3	12,2	4178,8	1,9	P - 170 2 12.2	VL2 IE2 250M6	56,0
	78,1	37,9	4252,9	0,9	P L 115 3 37.9	VL2 IE2 200L22	26,0
	77,5	19,1	4286,3	2,1	P L 135 3 19.1	VL2 IE2 225S4	40,0
	77,1	19,2	4355,0	1,2	P - 150 2 19.2	VL2 IE2 225S4	38,0
	76,5	38,7	4342,4	2,1	P L 135 3 38.7	VL2 IE2 200L22	40,0
	76,5	38,7	4388,6	0,9	P - 150 2 38.7	VL2 IE2 200L22	38,0
	75,1	19,7	4470,4	2,3	P - 190 2 19.71	VL2 IE2 225S4	72,0
	75,1	19,7	4470,4	1,7	P - 170 2 19.71	VL2 IE2 225S4	56,0
	73,7	13,3	4552,2	2,5	P - 190 2 13.29	VL2 IE2 250M6	72,0
	73,7	13,3	4552,3	1,8	P - 170 2 13.29	VL2 IE2 250M6	56,0
	73,6	40,2	4511,1	1,5	P L 125 3 40.2	VL2 IE2 200L22	33,0
	72,9	40,6	4555,7	1,0	P L 115 3 40.6	VL2 IE2 200L22	26,0
	70,5	21,0	4762,8	1,1	P - 150 2 21	VL2 IE2 225S4	38,0
	69,2	42,8	4802,6	2,0	P L 135 3 42.8	VL2 IE2 200L22	40,0
	69,0	21,5	4867,1	2,2	P - 190 2 21.46	VL2 IE2 225S4	72,0
	69,0	21,5	4867,1	1,5	P - 170 2 21.46	VL2 IE2 225S4	56,0
	67,9	21,8	4892,5	1,9	P L 135 3 21.8	VL2 IE2 225S4	40,0
	67,6	43,8	4914,9	1,4	P L 125 3 43.8	VL2 IE2 200L22	33,0
	67,4	14,5	4980,4	2,3	P - 190 2 14.54	VL2 IE2 250M6	72,0
	67,4	14,5	4980,5	1,6	P - 170 2 14.54	VL2 IE2 250M6	56,0
	66,1	22,4	5027,3	1,4	P L 125 3 22.4	VL2 IE2 225S4	33,0
	65,1	45,5	5106,1	0,9	P L 115 3 45.5	VL2 IE2 200L22	26,0
	64,9	22,8	5171,5	1,0	P - 150 2 22.8	VL2 IE2 225S4	38,0
	63,4	46,7	5240,6	1,8	P L 135 3 46.7	VL2 IE2 200L22	40,0
	63,0	23,5	5327,5	2,0	P - 190 2 23.49	VL2 IE2 225S4	72,0
	63,0	23,5	5327,4	1,4	P - 170 2 23.49	VL2 IE2 225S4	56,0

37



37.0
kW

HIGH TECH *line* Motion

P₁ Input Power kW	n₂ Output speed min ⁻¹	IR ratio -	T₂ Ouput torque Nm	FS' Service Factor -	 GEAR	 EU	P_{tn} Thermal capacity kW
37	61,9	23,9	5364,2	1,3	P L 125 3 23.9	VL2 IE2 225S4	33,0
	59,3	16,5	5665,5	2,0	P - 190 2 16.54	VL2 IE2 250M6	72,0
	59,3	16,5	5665,5	1,4	P - 170 2 16.54	VL2 IE2 250M6	56,0
	59,2	25,0	5670,3	0,9	P - 150 2 25	VL2 IE2 225S4	38,0
	58,4	50,7	5689,4	1,7	P L 135 3 50.7	VL2 IE2 200L22	40,0
	57,7	51,3	5756,5	1,2	P L 125 3 51.3	VL2 IE2 200L22	33,0
	57,3	25,9	5863,4	1,8	P - 190 2 25.85	VL2 IE2 225S4	72,0
	57,3	25,9	5863,5	1,3	P - 170 2 25.85	VL2 IE2 225S4	56,0
	57,1	25,9	5812,9	1,7	P L 135 3 25.9	VL2 IE2 225S4	40,0
	54,4	18,0	6169,5	1,9	P - 190 2 18.01	VL2 IE2 250M6	72,0
	54,4	18,0	6169,6	1,3	P - 170 2 18.01	VL2 IE2 250M6	56,0
	53,8	27,5	6237,0	0,8	P - 150 2 27.5	VL2 IE2 225S4	38,0
	53,2	27,8	6238,7	1,2	P L 125 3 27.8	VL2 IE2 225S4	33,0
	51,8	57,2	6418,3	1,1	P L 125 3 57.2	VL2 IE2 200L22	33,0
	51,7	28,6	6495,4	1,6	P - 190 2 28.64	VL2 IE2 225S4	72,0
	51,7	28,6	6495,3	1,2	P - 170 2 28.64	VL2 IE2 225S4	56,0
	51,2	57,8	6486,1	1,5	P L 135 3 57.8	VL2 IE2 200L22	40,0
	50,2	29,5	6620,5	1,5	P L 135 3 29.5	VL2 IE2 225S4	40,0
	49,7	19,7	6751,5	1,7	P - 190 2 19.71	VL2 IE2 250M6	72,0
	49,7	19,7	6751,5	1,2	P - 170 2 19.71	VL2 IE2 250M6	56,0
	48,7	30,4	6823,0	1,1	P L 125 3 30.4	VL2 IE2 225S4	33,0
	47,0	31,5	7149,8	1,5	P - 190 2 31.52	VL2 IE2 225S4	72,0
	47,0	31,5	7149,9	1,0	P - 170 2 31.52	VL2 IE2 225S4	56,0
	46,6	63,5	7126,1	0,9	P L 125 3 63.5	VL2 IE2 200L22	33,0
	46,1	32,1	7203,4	1,5	P L 135 3 32.1	VL2 IE2 225S4	40,0
	45,7	21,5	7350,2	1,6	P - 190 2 21.46	VL2 IE2 250M6	72,0
	45,7	21,5	7350,2	1,1	P - 170 2 21.46	VL2 IE2 250M6	56,0
	45,5	65,1	7304,8	1,3	P L 135 3 65.1	VL2 IE2 200L22	40,0
	42,8	69,2	7765,9	0,9	P L 125 3 69.2	VL2 IE2 200L22	33,0
	42,4	34,9	7920,8	1,3	P - 190 2 34.92	VL2 IE2 225S4	72,0
	42,4	34,9	7920,7	0,9	P - 170 2 34.92	VL2 IE2 225S4	56,0
	41,9	35,3	7921,6	0,9	P L 125 3 35.3	VL2 IE2 225S4	33,0
	41,7	23,5	8046,1	1,4	P - 190 2 23.49	VL2 IE2 250M6	72,0
	41,7	23,5	8046,0	1,0	P - 170 2 23.49	VL2 IE2 250M6	56,0
	38,2	38,7	8685,9	1,2	P L 135 3 38.7	VL2 IE2 225S4	40,0
	38,1	77,6	8708,6	1,1	P L 135 3 77.6	VL2 IE2 200L22	40,0
	37,9	25,9	8854,7	1,3	P - 190 2 25.85	VL2 IE2 250M6	72,0
	37,9	25,9	8854,7	0,9	P - 170 2 25.85	VL2 IE2 250M6	56,0
	36,8	40,2	9020,9	0,8	P L 125 3 40.2	VL2 IE2 225S4	33,0
	35,2	84,0	9425,3	1,0	P L 135 3 84	VL2 IE2 200L22	40,0
34,6	42,8	9605,2	1,1	P L 135 3 42.8	VL2 IE2 225S4	40,0	
34,2	28,6	9809,5	1,2	P - 190 2 28.64	VL2 IE2 250M6	72,0	
34,2	28,6	9809,5	0,8	P - 170 2 28.64	VL2 IE2 250M6	56,0	
32,4	91,4	10254,6	0,9	P L 135 3 91.4	VL2 IE2 200L22	40,0	
31,7	46,7	10481,3	1,0	P L 135 3 46.7	VL2 IE2 225S4	40,0	
31,1	31,5	10797,2	1,1	P - 190 2 31.52	VL2 IE2 250M6	72,0	
29,6	100,1	11232,7	0,8	P L 135 3 100.1	VL2 IE2 200L22	40,0	
29,2	50,7	11378,9	0,9	P L 135 3 50.7	VL2 IE2 225S4	40,0	
28,1	34,9	11962,9	1,0	P - 190 2 34.92	VL2 IE2 250M6	72,0	
25,6	57,8	12969,5	0,8	P L 135 3 57.8	VL2 IE2 225S4	40,0	



P ₁ Input Power kW	n ₂ Output speed min ⁻¹	IR ratio -	T ₂ Ouput torque Nm	FS' Service Factor -	 GEAR	 EU	P _{tn} Thermal capacity kW
45	242.6	6.1	1682.7	2.7	P - 150 2 6.1	VL2 IE2 225M4	38.0
	224.2	6.6	1820.6	2.9	P - 150 2 6.6	VL2 IE2 225M4	38.0
	202.7	7.3	2013.7	2.5	P - 150 2 7.3	VL2 IE2 225M4	38.0
	176.2	8.4	2317.2	2.2	P - 150 2 8.4	VL2 IE2 225M4	38.0
	160.9	9.2	2537.8	2.1	P - 150 2 9.2	VL2 IE2 225M4	38.0
	158.0	9.4	2584.8	2.9	P - 170 2 9.37	VL2 IE2 225M4	56.0
	146.5	10.1	2786.2	1.8	P - 150 2 10.1	VL2 IE2 225M4	38.0
	145.1	10.2	2813.7	2.7	P - 170 2 10.2	VL2 IE2 225M4	56.0
	132.5	11.2	3081.2	2.4	P - 170 2 11.17	VL2 IE2 225M4	56.0
	131.9	7.4	3095.2	2.6	P - 170 2 7.43	VL2 IE2 280S6	56.0
	129.8	11.4	3144.8	1.6	P - 150 2 11.4	VL2 IE2 225M4	38.0
	121.3	12.2	3365.5	2.1	P - 170 2 12.2	VL2 IE2 225M4	56.0
	119.8	8.2	3407.9	2.4	P - 170 2 8.18	VL2 IE2 280S6	56.0
	119.4	12.4	3420.7	1.5	P - 150 2 12.4	VL2 IE2 225M4	38.0
	111.4	13.3	3666.1	2.9	P - 190 2 13.29	VL2 IE2 225M4	72.0
	111.4	13.3	3666.2	2.0	P - 170 2 13.29	VL2 IE2 225M4	56.0
	108.8	13.6	3751.7	1.4	P - 150 2 13.6	VL2 IE2 225M4	38.0
	104.6	9.4	3903.5	2.9	P - 190 2 9.37	VL2 IE2 280S6	72.0
	104.6	9.4	3903.5	2.1	P - 170 2 9.37	VL2 IE2 280S6	56.0
	101.8	14.5	4010.8	2.6	P - 190 2 14.54	VL2 IE2 225M4	72.0
	101.8	14.5	4010.8	1.9	P - 170 2 14.54	VL2 IE2 225M4	56.0
	96.7	15.3	4220.6	1.2	P - 150 2 15.3	VL2 IE2 225M4	38.0
	96.1	10.2	4249.2	2.7	P - 190 2 10.2	VL2 IE2 280S6	72.0
	96.1	10.2	4249.2	1.9	P - 170 2 10.2	VL2 IE2 280S6	56.0
	89.5	16.5	4562.6	2.3	P - 190 2 16.54	VL2 IE2 225M4	72.0
	89.5	16.5	4562.6	1.6	P - 170 2 16.54	VL2 IE2 225M4	56.0
	88.6	16.7	4606.9	1.2	P - 150 2 16.7	VL2 IE2 225M4	38.0
	87.7	11.2	4653.1	2.5	P - 190 2 11.17	VL2 IE2 280S6	72.0
	87.7	11.2	4653.1	1.8	P - 170 2 11.17	VL2 IE2 280S6	56.0
	82.2	18.0	4967.9	2.1	P - 190 2 18.01	VL2 IE2 225M4	72.0
	82.2	18.0	4967.9	1.5	P - 170 2 18.01	VL2 IE2 225M4	56.0
	80.3	12.2	5082.3	2.3	P - 190 2 12.2	VL2 IE2 280S6	72.0
	80.3	12.2	5082.3	1.5	P - 170 2 12.2	VL2 IE2 280S6	56.0
	77.5	19.1	5213.1	1.7	P L 135 3 19.1	VL2 IE2 225M4	40.0
	77.1	19.2	5296.6	1.0	P - 150 2 19.2	VL2 IE2 225M4	38.0
	75.1	19.7	5437.0	1.9	P - 190 2 19.71	VL2 IE2 225M4	72.0
	75.1	19.7	5437.0	1.4	P - 170 2 19.71	VL2 IE2 225M4	56.0
	73.7	13.3	5536.5	2.1	P - 190 2 13.29	VL2 IE2 280S6	72.0
	73.7	13.3	5536.5	1.5	P - 170 2 13.29	VL2 IE2 280S6	56.0
	70.5	21.0	5792.7	0.9	P - 150 2 21	VL2 IE2 225M4	38.0
	69.0	21.5	5919.4	1.8	P - 190 2 21.46	VL2 IE2 225M4	72.0
	69.0	21.5	5919.4	1.3	P - 170 2 21.46	VL2 IE2 225M4	56.0
	67.9	21.8	5950.3	1.6	P L 135 3 21.8	VL2 IE2 225M4	40.0
	67.4	14.5	6057.3	1.9	P - 190 2 14.54	VL2 IE2 280S6	72.0
	67.4	14.5	6057.4	1.4	P - 170 2 14.54	VL2 IE2 280S6	56.0
	66.1	22.4	6114.3	1.1	P L 125 3 22.4	VL2 IE2 225M4	33.0
	64.9	22.8	6289.6	0.8	P - 150 2 22.8	VL2 IE2 225M4	38.0
	63.0	23.5	6479.3	1.6	P - 190 2 23.49	VL2 IE2 225M4	72.0
	63.0	23.5	6479.3	1.2	P - 170 2 23.49	VL2 IE2 225M4	56.0
	61.9	23.9	6524.0	1.1	P L 125 3 23.9	VL2 IE2 225M4	33.0
59.3	16.5	6890.5	1.7	P - 190 2 16.54	VL2 IE2 280S6	72.0	
59.3	16.5	6890.5	1.2	P - 170 2 16.54	VL2 IE2 280S6	56.0	
57.3	25.9	7131.2	1.5	P - 190 2 25.85	VL2 IE2 225M4	72.0	
57.3	25.9	7131.2	1.1	P - 170 2 25.85	VL2 IE2 225M4	56.0	
57.1	25.9	7069.7	1.4	P L 135 3 25.9	VL2 IE2 225M4	40.0	
54.4	18.0	7503.5	1.5	P - 190 2 18.01	VL2 IE2 280S6	72.0	
54.4	18.0	7503.5	1.1	P - 170 2 18.01	VL2 IE2 280S6	56.0	
53.2	27.8	7587.6	0.9	P L 125 3 27.8	VL2 IE2 225M4	33.0	
51.7	28.6	7899.8	1.3	P - 190 2 28.64	VL2 IE2 225M4	72.0	
51.7	28.6	7899.7	0.9	P - 170 2 28.64	VL2 IE2 225M4	56.0	
50.2	29.5	8052.0	1.2	P L 135 3 29.5	VL2 IE2 225M4	40.0	
49.7	19.7	8211.2	1.4	P - 190 2 19.71	VL2 IE2 280S6	72.0	
49.7	19.7	8211.3	1.0	P - 170 2 19.71	VL2 IE2 280S6	56.0	
48.7	30.4	8298.3	0.9	P L 125 3 30.4	VL2 IE2 225M4	33.0	
47.0	31.5	8695.7	1.2	P - 190 2 31.52	VL2 IE2 225M4	72.0	
47.0	31.5	8695.8	0.9	P - 170 2 31.52	VL2 IE2 225M4	56.0	
46.1	32.1	8760.9	1.2	P L 135 3 32.1	VL2 IE2 225M4	40.0	
45.7	21.5	8939.4	1.3	P - 190 2 21.46	VL2 IE2 280S6	72.0	
45.7	21.5	8939.4	0.9	P - 170 2 21.46	VL2 IE2 280S6	56.0	
42.4	34.9	9633.4	1.1	P - 190 2 34.92	VL2 IE2 225M4	72.0	
41.7	23.5	9785.8	1.2	P - 190 2 23.49	VL2 IE2 280S6	72.0	
41.7	23.5	9785.7	0.8	P - 170 2 23.49	VL2 IE2 280S6	56.0	
38.2	38.7	10563.9	0.9	P L 135 3 38.7	VL2 IE2 225M4	40.0	
37.9	25.9	10769.2	1.1	P - 190 2 25.85	VL2 IE2 280S6	72.0	
34.6	42.8	11682.0	0.9	P L 135 3 42.8	VL2 IE2 225M4	40.0	
34.2	28.6	11930.4	1.0	P - 190 2 28.64	VL2 IE2 280S6	72.0	
31.7	46.7	12747.5	0.8	P L 135 3 46.7	VL2 IE2 225M4	40.0	
31.1	31.5	13131.7	0.9	P - 190 2 31.52	VL2 IE2 280S6	72.0	



75.0 kW

55.0 kW

HIGH TECH *line* Motion













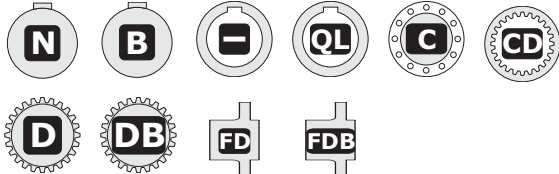
P ₁ Input Power kW	n ₂ Output speed min ⁻¹	IR ratio -	T ₂ Output torque Nm	FS' Service Factor -	 GEAR	 EU	P _{tn} Thermal capacity kW
55	199,2	7,4	3,0	2505,1	P 170 2 7.43	VL2 IE2 250M4	56
	180,9	8,2	2,7	2757,9	P 170 2 8.18	VL2 IE2 250M4	56
	170,4	5,8	2,8	2927,8	P 170 2 5.75	VL2 IE2 280M6	56
	158,0	9,4	2,4	3159,2	P 170 2 9.37	VL2 IE2 250M4	56
	157,1	6,2	2,6	3177,2	P 170 2 6.24	VL2 IE2 280M6	56
	145,1	10,2	2,2	3438,9	P 170 2 10.2	VL2 IE2 250M4	56
	132,5	11,2	2,8	3765,9	P 190 2 11.17	VL2 IE2 250M4	72
	132,5	11,2	2,0	3766,0	P 170 2 11.17	VL2 IE2 250M4	56
	131,9	7,4	2,2	3783,1	P 170 2 7.43	VL2 IE2 280M6	56
	121,3	12,2	2,6	4113,3	P 190 2 12.2	VL2 IE2 250M4	72
	121,3	12,2	1,7	4113,3	P 170 2 12.2	VL2 IE2 250M4	56
	119,8	8,2	2,7	4165,2	P 190 2 8.18	VL2 IE2 280M6	72
	119,8	8,2	1,9	4165,2	P 170 2 8.18	VL2 IE2 280M6	56
	111,4	13,3	2,3	4480,8	P 190 2 13.29	VL2 IE2 250M4	72
	111,4	13,3	1,7	4480,9	P 170 2 13.29	VL2 IE2 250M4	56
	104,6	9,4	2,4	4770,9	P 190 2 9.37	VL2 IE2 280M6	72
	104,6	9,4	1,7	4770,9	P 170 2 9.37	VL2 IE2 280M6	56
	101,8	14,5	2,1	4902,1	P 190 2 14.54	VL2 IE2 250M4	72
	101,8	14,5	1,5	4902,1	P 170 2 14.54	VL2 IE2 250M4	56
	96,1	10,2	2,2	5193,5	P 190 2 10.2	VL2 IE2 280M6	72
	96,1	10,2	1,6	5193,5	P 170 2 10.2	VL2 IE2 280M6	56
	89,5	16,5	1,9	5576,5	P 190 2 16.54	VL2 IE2 250M4	72
	89,5	16,5	1,3	5576,5	P 170 2 16.54	VL2 IE2 250M4	56
	87,7	11,2	2,0	5687,1	P 190 2 11.17	VL2 IE2 280M6	72
	87,7	11,2	1,4	5687,1	P 170 2 11.17	VL2 IE2 280M6	56
	82,2	18,0	1,7	6071,9	P 190 2 18.01	VL2 IE2 250M4	72
	82,2	18,0	1,2	6071,9	P 170 2 18.01	VL2 IE2 250M4	56
	80,3	12,2	1,8	6211,7	P 190 2 12.2	VL2 IE2 280M6	72
	80,3	12,2	1,2	6211,7	P 170 2 12.2	VL2 IE2 280M6	56
	77,5	19,1	1,4	6371,6	PL 135 3 19.1	VL2 IE2 250M4	40
	75,1	19,7	1,6	6645,2	P 190 2 19.71	VL2 IE2 250M4	72
	75,1	19,7	1,1	6645,2	P 170 2 19.71	VL2 IE2 250M4	56
	73,7	13,3	1,7	6766,8	P 190 2 13.29	VL2 IE2 280M6	72
	73,7	13,3	1,2	6766,9	P 170 2 13.29	VL2 IE2 280M6	56
	69,0	21,5	1,5	7234,8	P 190 2 21.46	VL2 IE2 250M4	72
	69,0	21,5	1,0	7234,8	P 170 2 21.46	VL2 IE2 250M4	56
	67,9	21,8	1,3	7272,6	PL 135 3 21.8	VL2 IE2 250M4	40
	67,4	14,5	1,5	7403,4	P 190 2 14.54	VL2 IE2 280M6	72
	67,4	14,5	1,1	7403,4	P 170 2 14.54	VL2 IE2 280M6	56
	63,0	23,5	1,3	7919,2	P 190 2 23.49	VL2 IE2 250M4	72
	63,0	23,5	0,9	7919,1	P 170 2 23.49	VL2 IE2 250M4	56
	59,3	16,5	1,4	8421,7	P 190 2 16.54	VL2 IE2 280M6	72
	59,3	16,5	1,0	8421,7	P 170 2 16.54	VL2 IE2 280M6	56
	57,3	25,9	1,2	8715,9	P 190 2 25.85	VL2 IE2 250M4	72
	57,3	25,9	0,9	8716,0	P 170 2 25.85	VL2 IE2 250M4	56
57,1	25,9	1,1	8640,7	PL 135 3 25.9	VL2 IE2 250M4	40	
54,4	18,0	1,2	9170,9	P 190 2 18.01	VL2 IE2 280M6	72	
54,4	18,0	0,9	9171,0	P 170 2 18.01	VL2 IE2 280M6	56	
51,7	28,6	1,1	9655,3	P 190 2 28.64	VL2 IE2 250M4	72	
50,2	29,5	1,0	9841,3	PL 135 3 29.5	VL2 IE2 250M4	40	
49,7	19,7	1,1	10036,0	P 190 2 19.71	VL2 IE2 280M6	72	
49,7	19,7	0,8	10036,0	P 170 2 19.71	VL2 IE2 280M6	56	
47,0	31,5	1,0	10628,1	P 190 2 31.52	VL2 IE2 250M4	72	
46,1	32,1	1,0	10707,7	PL 135 3 32.1	VL2 IE2 250M4	40	
45,7	21,5	1,0	10926,0	P 190 2 21.46	VL2 IE2 280M6	72	
42,4	34,9	0,9	11774,2	P 190 2 34.92	VL2 IE2 250M4	72	
41,7	23,5	1,0	11960,5	P 190 2 23.49	VL2 IE2 280M6	72	
37,9	25,9	0,9	13162,4	P 190 2 25.85	VL2 IE2 280M6	72	

75	257,4	5,8	2643,6	2,8	P - 170 2 5.75	VL2 IE2 280S4	56,0
	237,2	6,2	2868,9	2,6	P - 170 2 6.24	VL2 IE2 280S4	56,0
	199,2	7,4	3416,0	2,2	P - 170 2 7.43	VL2 IE2 280S4	56,0
	180,9	8,2	3760,8	2,8	P - 190 2 8.18	VL2 IE2 280S4	72,0
	180,9	8,2	3760,8	2,0	P - 170 2 8.18	VL2 IE2 280S4	56,0
	158,0	9,4	4307,9	2,4	P - 190 2 9.37	VL2 IE2 280S4	72,0
	158,0	9,4	4307,9	1,7	P - 170 2 9.37	VL2 IE2 280S4	56,0
	145,1	10,2	4689,4	2,2	P - 190 2 10.2	VL2 IE2 280S4	72,0
	145,1	10,2	4689,5	1,6	P - 170 2 10.2	VL2 IE2 280S4	56,0
	132,5	11,2	5135,4	2,0	P - 190 2 11.17	VL2 IE2 280S4	72,0
	132,5	11,2	5135,4	1,5	P - 170 2 11.17	VL2 IE2 280S4	56,0
	121,3	12,2	5609,1	1,9	P - 190 2 12.2	VL2 IE2 280S4	72,0
	121,3	12,2	5609,1	1,3	P - 170 2 12.2	VL2 IE2 280S4	56,0
	111,4	13,3	6110,2	1,7	P - 190 2 13.29	VL2 IE2 280S4	72,0
	111,4	13,3	6110,3	1,2	P - 170 2 13.29	VL2 IE2 280S4	56,0
	101,8	14,5	6684,7	1,6	P - 190 2 14.54	VL2 IE2 280S4	72,0
	101,8	14,5	6684,7	1,1	P - 170 2 14.54	VL2 IE2 280S4	56,0
	89,5	16,5	7604,4	1,4	P - 190 2 16.54	VL2 IE2 280S4	72,0
	89,5	16,5	7604,3	1,0	P - 170 2 16.54	VL2 IE2 280S4	56,0
	82,2	18,0	8279,9	1,3	P - 190 2 18.01	VL2 IE2 280S4	72,0
	82,2	18,0	8279,9	0,9	P - 170 2 18.01	VL2 IE2 280S4	56,0
	75,1	19,7	9061,6	1,2	P - 190 2 19.71	VL2 IE2 280S4	72,0
	75,1	19,7	9061,6	0,8	P - 170 2 19.71	VL2 IE2 280S4	56,0
	69,0	21,5	9865,7	1,1	P - 190 2 21.46	VL2 IE2 280S4	72,0
	63,0	23,5	10798,9	1,0	P - 190 2 23.49	VL2 IE2 280S4	72,0
57,3	25,9	11885,4	0,9	P - 190 2 25.85	VL2 IE2 280S4	72,0	





DIMENSIONS

M	REFSIZES ERIES	SIZE	PAGES
	-	63 - 71 - 90 - 112	164 
		80 - 100 - 125 - 132 - 150 - 170 - 190	166 
	E	125 - 132 - 150 - 170 - 190	168 
	L	25 - 45	170 
		65	172 
		85 - 95	174 
		105	176 
		115 - 125 - 135	178 
ESTREMITÀ USCITA - Accessori - Opzioni OUTPUT CONFIGURATIONS - Accessories - Options ENDEN DER AUSGANGSWELLEN - Zubehör -			180 
			





P_-

63-71-90-112

HIGH TECH *line* Motion

1.8 Dimensioni

1.8 Dimensions

1.8 Abmessungen

PR P

63-71-90-112

PM P

<p>Without Flange</p>		
<p>F1 F2 With Flange</p>		
<p>P With Flange</p>		
	<p>Per il fissaggio al riduttore con i fori "Vp" considerare la lunghezza delle viti adeguate, e che la quota "yt" non è filettata (vedi disegno).</p> <p>When P-flange is used please consider that the threads "Vp" are in gearcase and that distance "yt" does not have a thread (see drawing).</p> <p>Bei Verwendung des P-Flansches ist zu beachten, daß sich die Gewinde im Getriebegehäuse befinden und daß Maß "yt" kein Gewinde besitzt. Details siehe Zeichnung.</p>	
<p>Detail holes - flange "P"</p>	<p>Detail flanged housing PM-PR F</p>	<p>Detail flange centering</p>

Dimensioni generali / Dimensions / Allgemeine Abmessungen		63	71	90	112
Dimensions					
C		31,5	35	45	50
c1		2,5	3	3,5	4
D	Standard	30	35	40	50
	Optional	25	30	42	55
	Optional	28	32	45	-
	Optional	-	-	48	-
tolerance D		H7	H7	H7	H7
h		103,5	117	147	184
H		152	165	200	255
h1		23,5	26	33	35,5
hp		240	268	324	400
n1		12	12	16	20
n2		14	14	14	22



1.8 Dimensioni

1.8 Dimensions

1.8 Abmessungen

F - Flange housing				
Versions P - F	63	71	90	112
L2	116,5	147	176,5	205
L3	143	175	203,5	246
L4	128	158	188,5	219
N	84,5	92	109	138
O	169	184	218	276

P - Foot housing				
Versions P - P	63	71	90	112
a	115	145	190	240
A	135	170	220	280
b	77	93	112	140
B	95	120	135	166
f	N°8 M8x12	N°8 M10x15	N°8 M12x17	N°8 M16x23
h2	31	43	60	70
l	96,5	119	143	172,5
i1	20	28	33,5	32,5
N	82,5	90	106	135
O	165	180	212	270
S	20	25	30	40

F1-F2 - Flanged versions						
Flanged versions F1-F2	63		71		90	112
	F1	F2	F2	F2	F1	F1
F	160	200	160	250	300	
G	110	130	110	180	230	
tolerance G	g6	g6	g6	g6	g6	g6
P	46,5	56	56	60,5	73,5	
P1	59	63,5	63,5	72	91	
R	130	165	130	215	265	
U	3,5	3,5	3,5	4	4	
V	n°4 ø 9	N°4 ø 11	N°4 ø 9.5	N°4 ø 13.5	N°4 ø 13.5	
Z	10	12	10	15	16	

P - Flanged versions				
Flanged versions P	63	71	90	112
	P	P	P	P
Fp	105	120	150	175
Gp	80	80	105	125
p1	43,5	46	57	63
Pp	31,5	39	45,5	46,5
Rp	90	100	125	150
Up	3	3	3,5	3,5
Vp	N°6 M6X12	N°6 M8X14	N°6 M12X18	N°6 M14X21
xt	12	15	18	23
yt	11,5	11	12	14

Fixing - Flange Housing				
Fixing Flange Housing	63	71	90	112
	Fp	105	120	150
GP1	75	80	100	125
tolerance GP1	H7	H7	H7	H7
Rp	90	100	125	150
Up1	3.5	3.5	3.5	4
Vp	N°6 M6x12	N°6 M8x14	N°6 M12x18	N°6 M14x21

P - R - Input version								
P - R	63/2	63/3	71/2	71/3	90/2	90/3	112/2	112/3
d	16	16	16	16	19	19	24	24
tolerance d	j6	j6	j6	j6	j6	j6	j6	j6
L	40	40	40	40	40	40	50	50
m	M6	M6	M6	M6	M6	M6	M8	M8
M	148,5	136,5	163,5	182	187	209	223,5	239

P - M - Input version									
P - M		63/2	63/3	71/2	71/3	90/2	90/3	112/2	112/3
IEC	Y	K	K	K	K	K	K	K	K
CF									
63 B5	140	119,5	124,5	-	153	-	-	-	-
63 B5 - with shrink disc	140	139,5	-	-	-	-	-	-	-
63B14	90	-	-	-	-	-	-	-	-
71 B5	160	119,5	128,5	159	153	-	175	-	-
71 B5 - with shrink disc	160	139,5	-	-	173	-	-	-	-
71B14	105	-	-	-	-	-	-	-	-
80 B5	200	139,5	152,5	159	173	172	190	-	219,5
80 B14	120	139,5	152,5	159	173	172	190	-	-
90 B5	200	139,5	-	159	173	172	190	-	219,5
90 B14	140	139,5	-	159	173	172	190	-	-
100-112 B5	250	149,5	-	169,5	-	182,5	200	204,5	229,5
100-112 B14	160	149,5	-	169,5	-	182,5	200	-	-
132 B5	300	-	-	-	-	205	-	227	-
132 B14	200	-	-	-	-	205	-	-	-
160 B5	350	-	-	-	-	-	-	255	-
180 B5	350	-	-	-	-	-	-	255	-



P_-

80-100-125
132-150-170-190

HIGH TECH *line* Motion

1.8 Dimensioni

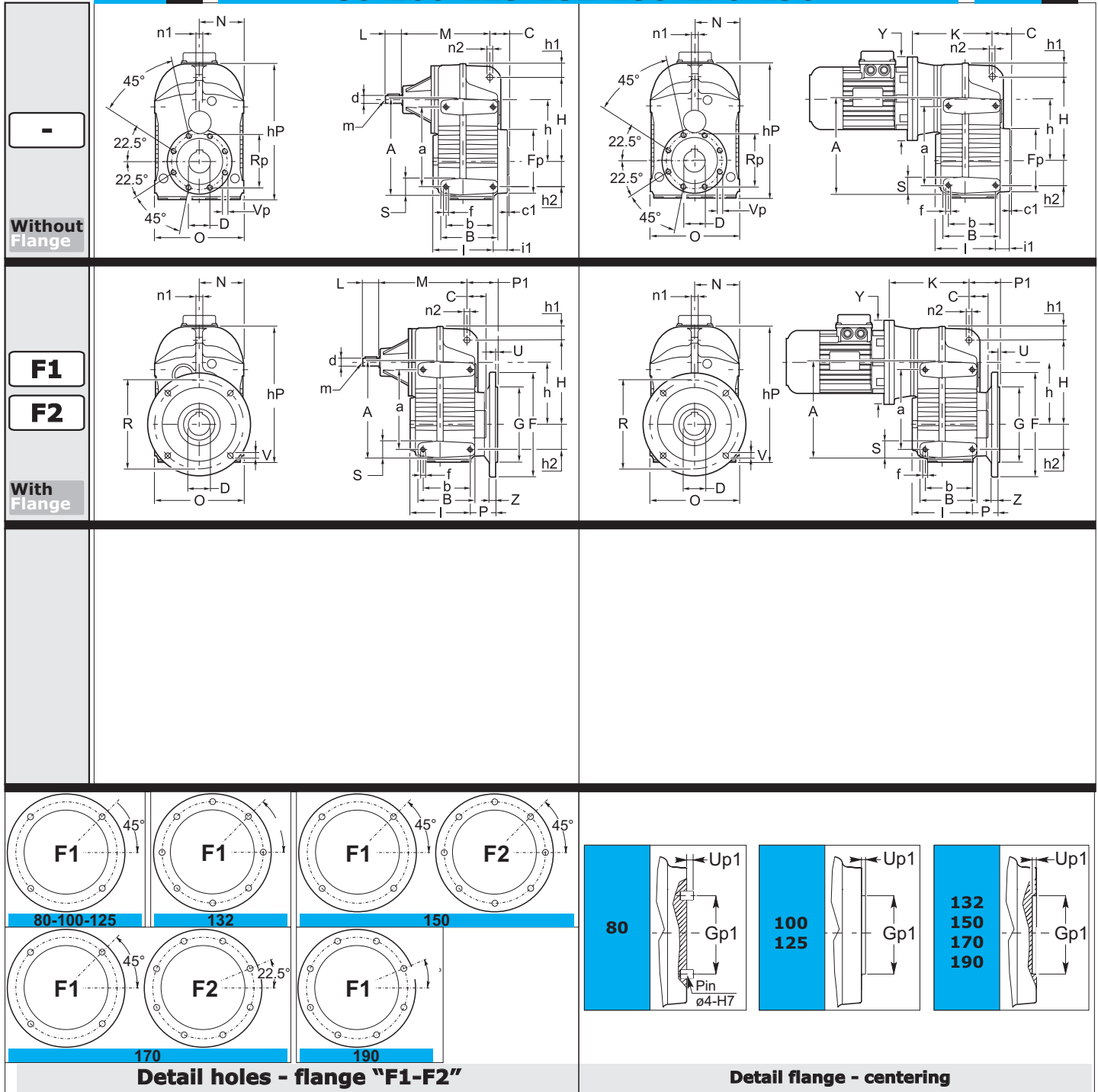
1.8 Dimensions

1.8 Abmessungen

PR P

80-100-125-132-150-170-190

PM P



Dimensioni generali / Dimensions / Allgemeine Abmessungen							
Dimensions	80	100	125	132	150	170	190
C	30	42	44,5	62	70	77	75
c1	2	7,5	8,5	1	5,5	7	5
D	Standard	32	45	55	60	70	100
	Optional	30	40	50	70	80	-
	Optional	35	50	60	-	-	-
	Optional	-	-	-	-	-	-
tolerance D	H7	H7	H7	H7	H7	H7	H7
h	141	176	222	235	277	320	360
H	198	245	310	330	395	455	485
h1	31,5	34	45	38	71	64	65
hp	311	387	502	523	629	699	760
n1	15	15	24	24	30	30	32
n2	14	14	22	22	26	26	32



1.8 Dimensioni

1.8 Dimensions

1.8 Abmessungen

P - Foot housing								
Versions P_- P	80	100	125	132	150	170	190	
a	165	190	310	260	285	330	400	
A	187	225	350	300	333	390	470	
b	75	95	125	140	190	230	270	
B	95	130	158	180	240	282	325	
f	N°8 M10x18	N°8 M12x24	N°8 M16x30	N°8 M16x32	N°8 M20x40	N°8 M24x48	N°8 M30x60	
h2	50	60	100	70	80	90	100	
l	103.5	120.5	148	190	227.5	260	300	
i1	22	25	21	50	37.5	30	30	
N	98	111.5	152.5	152.5	200	205.5	230	
O	196	223	305	305	400	411	460	
S	22	35	40	40	48	60	70	

F1-F2 - Flanged versions									
Flanged versions F1-F2	80	100	125	132	150		170		190
	F1	F1	F1	F1	F1	F2	F1	F2	F1
F	250	250	350	350	400	450	400	450	550
G	180	180	250	250	300	350	300	350	450
tolerance G	g6	F7	g6	g6	g6	g6	g6	g6	g6
P	43,5	79,5	90	90	79.5	79.5	68.5	68.5	86
P1	53	88,5	110	106	111.5	111.5	114	114	131
R	215	215	300	300	350	400	350	400	500
U	4	-5	5	5	5	5	5	5	5
V	N°4 ø 14	N°4 ø 13	N°4 ø 18	N°8 ø 18	N°4 ø 18	N°8 ø 19	N°4 Ø18	N°8 ø 18	N°8 ø 19
Z	11	14	18	17	18	18	18	25	25

Fixing - Flange Housing								
Fixing Flange Housing	80	100	125	132	150	170	190	
Fp	120	150	200	210	242	275	310	
GP1	88	110	140	140	160	180	200	
tolerance GP1	+/-0,02	g6	g6	H7	H7	H7	H7	
Rp	100	125	165	175	200	225	250	
Up1	4	4,5	6	8	12	15	10	
Vp	N°8 M8x16	N°8 M8x16	N°8 M12x20	N°8 M12x24	N°8 M14x28	N°8 M16x32	N°8 M18x36	

P - R - Input version								
P - R	80/2	100/2	125/2	132/2	150/2	170/2	190/2	
d	19	24	28	28	38	48	48	
tolerance d	j6	j6	j6	j6	j6	k6	k6	
L	40	50	60	60	80	110	110	
m	M6x16	M8x20	M8	M8x20	M10x25	M10x22	M10x22	
M	154	180	242	262,5	328	334	364	

P - M - Input version										
P - M		80/2	100/2	125/2	132/2	150/2	170/2	170/2	190/2	190/2
IEC	Y	K	K	K	K	K	K	K	K	K
CF		-	-	-	-	-	-	VB-VN	-	VB-VN
80 B5	200	139	-	-	-	-	-	-	-	-
80 B14	120	139	-	-	-	-	-	-	-	-
90 B5	200	139	-	-	-	-	-	-	-	-
90 B14	140	139	-	-	-	-	-	-	-	-
100-112 B5	250	150	161	204	224,5	276	-	-	-	-
100-112 B14	160	150	-	-	-	-	-	-	-	-
132 B5	300	172	183,5	204	224,5	276	340.5	-	370.5	-
132 B14	200	172	-	204	224,5	276	-	-	-	-
160 B5	350	-	212	268	288,5	319.5	349.5	-	379.5	-
180 B5	350	-	212	268	288,5	319.5	349.5	-	379.5	-
200 B5	400	-	-	273	293,5	324.5	354.5	-	384.5	-
225 B5	450	-	-	-	-	333.5	394.5	447	424.5	477
250 B5	550	-	-	-	-	-	394.5	447	424.5	477
280 B5	550	-	-	-	-	-	-	447	-	477



P_E

125-132-150-170-190

HIGH TECH *line* Motion

1.8 Dimensioni

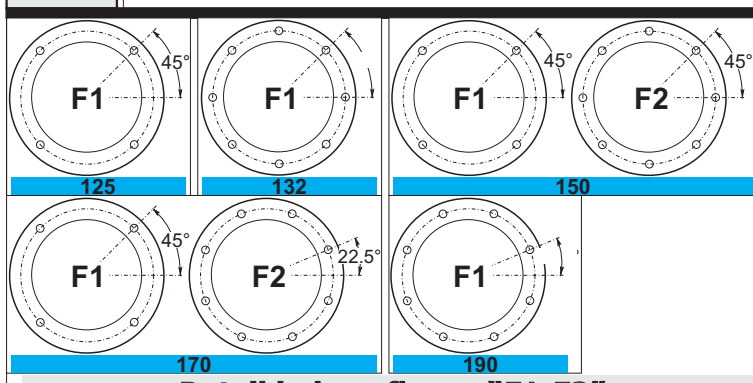
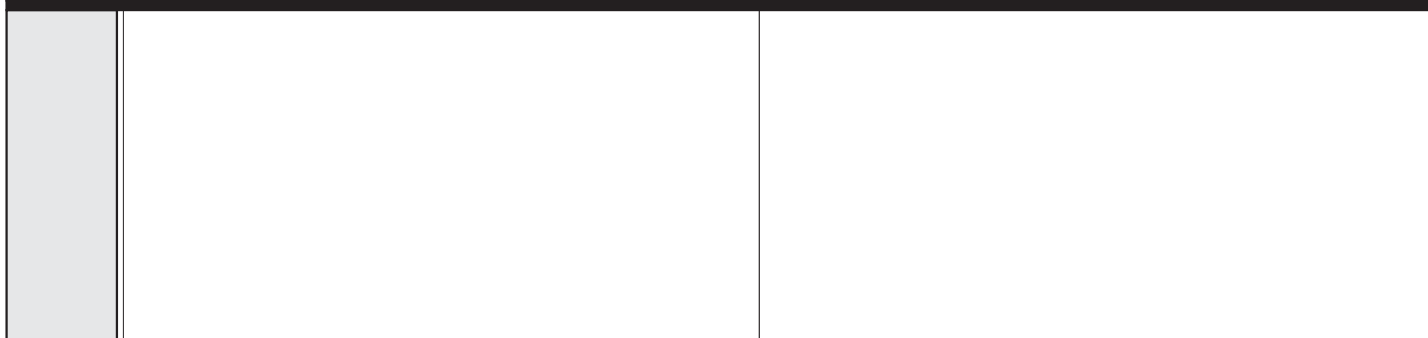
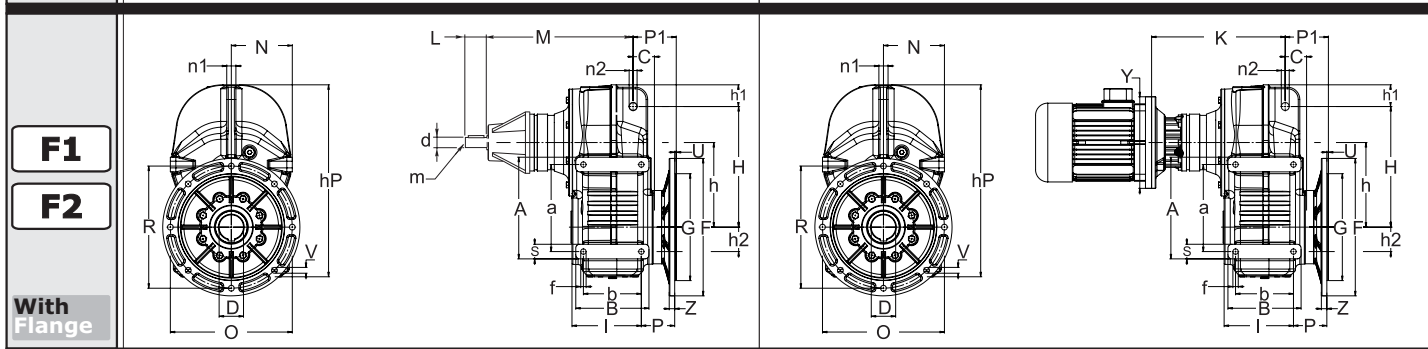
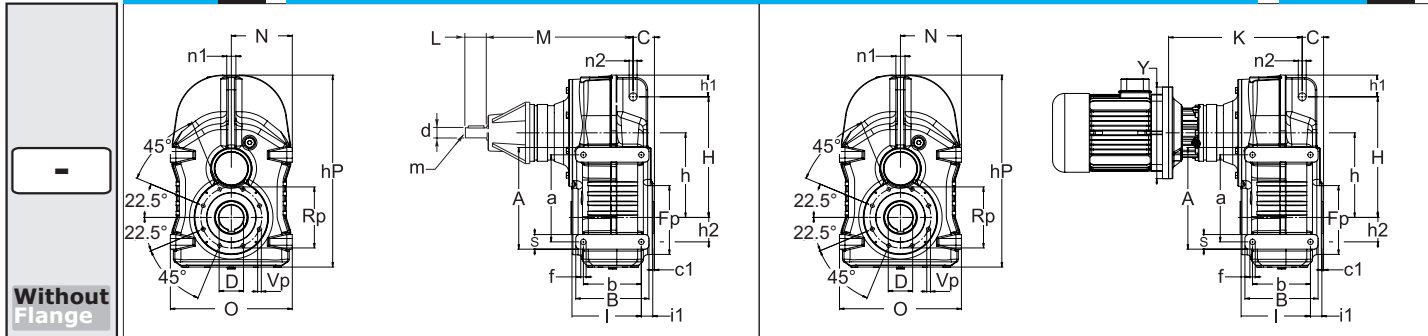
1.8 Dimensions

1.8 Abmessungen

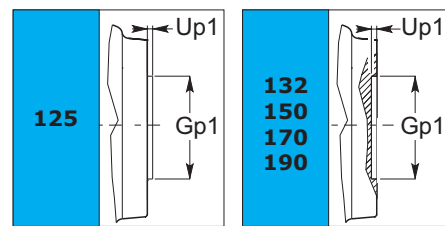
PER P

125-132-150-170-190

PEMP



Detail holes - flange "F1-F2"



Detail flange - centering

Dimensioni generali / Dimensions / Allgemeine Abmessungen						
Dimensions	125	132	150	170	190	
C	44,5	62	70	77	75	
c1	8,5	1	5,5	7	5	
D	Standard	55	60	70	90	100
	Optional	50	70	80	-	-
	Optional	60	-	-	-	-
	Optional	-	-	-	-	-
tolerance D	H7	H7	H7	H7	H7	
h	222	235	277	320	360	
H	310	330	395	455	485	
h1	45	38	71	64	65	
hp	502	523	629	699	760	
n1	24	24	30	30	32	
n2	22	22	26	26	32	



1.8 Dimensioni

1.8 Dimensions

1.8 Abmessungen

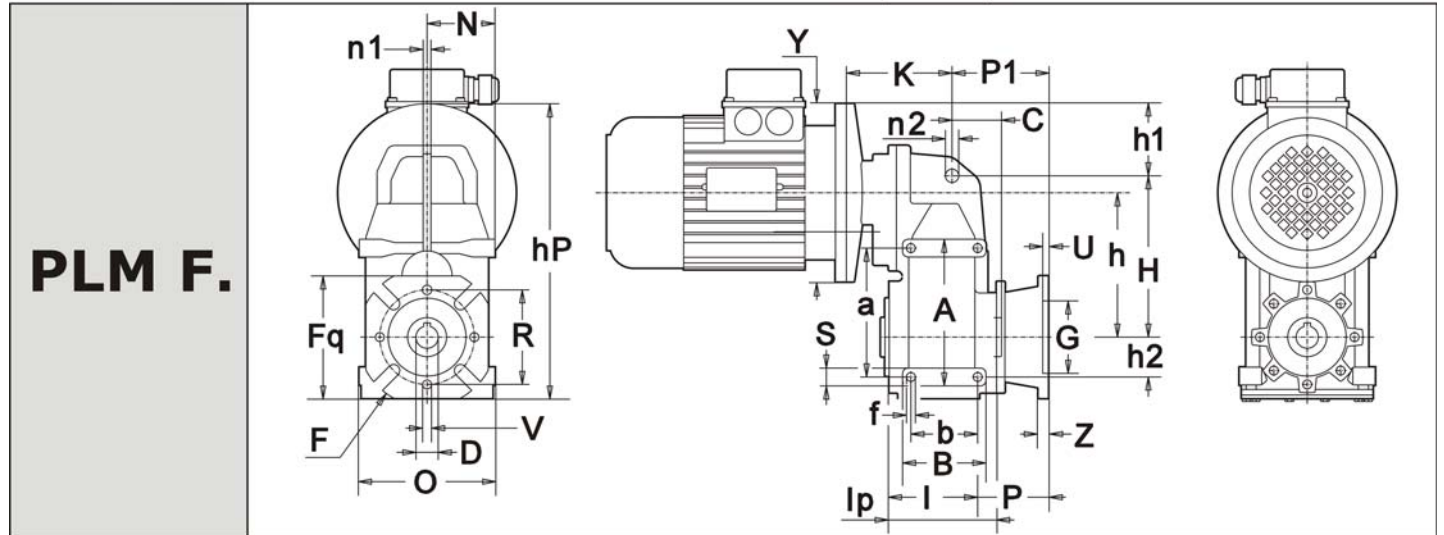
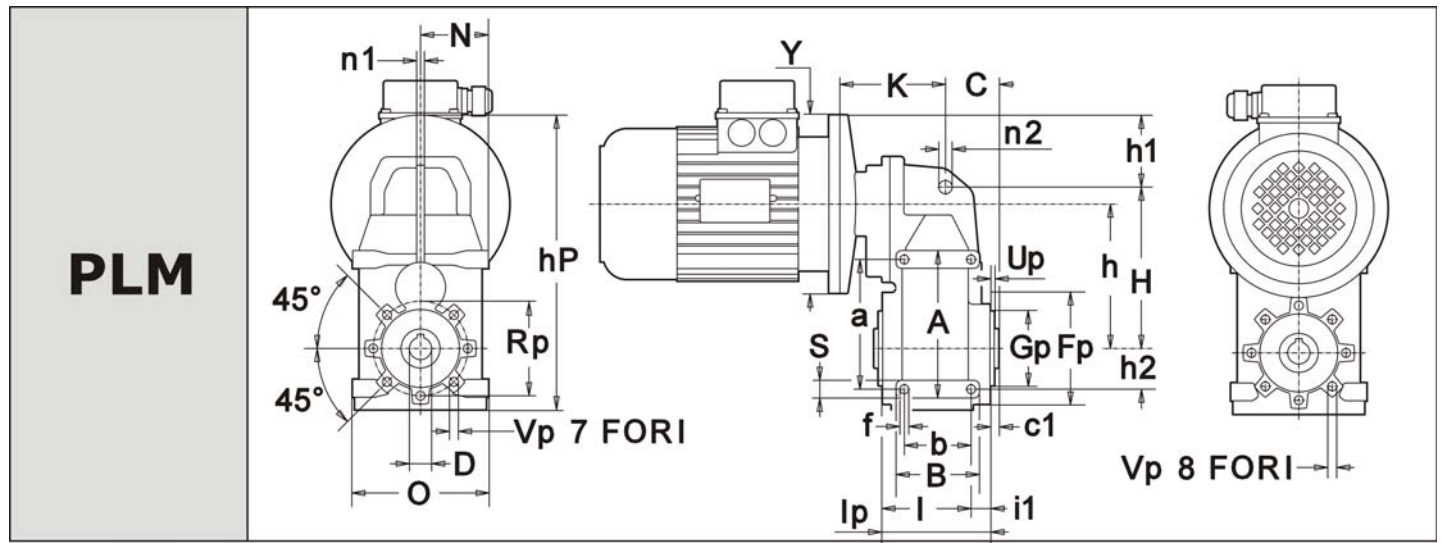
P - Foot housing						
Versions P_E_P	125	132	150	170	190	
a	310	260	285	330	400	
A	350	300	333	390	470	
b	125	140	190	230	270	
B	158	180	240	282	325	
f	N°8 M16x30	N°8 M16x32	N°8 M20x40	N°8 M24x48	N°8 M30x60	
h2	100	70	80	90	100	
l	148	190	227,5	260	300	
i1	21	50	37,5	30	30	
N	152,5	152,5	200	205,5	230	
O	305	305	400	411	460	
S	40	40	48	60	70	

F1-F2 - Flanged versions						
Flanged versions F1-F2	125	132	150	170	190	
	F1	F1	F1	F2	F1	F2
F	350	350	400	450	400	450
G	250	250	300	350	300	350
tolerance G	g6	g6	g6	g6	g6	g6
P	90	90	79,5	79,5	68,5	68,5
P1	110	106	111,5	111,5	114	114
R	300	300	350	400	350	400
U	5	5	5	5	5	5
V	N°4 ø 18	N°8 ø 18	N°4 ø 18	N°8 ø 19	N°4 ø 18	N°8 ø 18
Z	18	17	18	18	18	25

Fixing - Flange Housing						
Fixing Flange Housing	125	132	150	170	190	
Fp	200	210	242	275	310	
GP1	140	140	160	180	200	
tolerance GP1	g6	H7	H7	H7	H7	
Rp	165	175	200	225	250	
Up1	6	8	12	15	10	
Vp	N°8 M12x20	N°8 M12x24	N°8 M14x28	N°8 M16x32	N°8 M18x36	

P_E-R - Input version						
P_E_R	125/4	132/4	150/4	170/4	190/4	
d	38	38	38	38	38	
tolerance d	h7	h7	h7	h7	h7	
L	58	58	58	58	58	
m	M12	M12	M12	M12	M12	
M	344	364,5	405,5	465,5	495,5	

P_E_M - Input version						
P_E_M	125/4	132/4	150/4	170/4	190/4	
IEC	Y	K	K	K	K	K
63 B5	140	336	356,5	397,5	457,5	487,5
71 B5	160	336	356,5	397,5	457,5	487,5
80 B5	200	336	356,5	397,5	457,5	487,5
90 B5	200	336	356,5	397,5	457,5	487,5
100-112 B5	250	344	364,5	405,5	465,5	495,5
132 B5	300	365	385,5	426,5	486,5	516,5
160 B5	350	399	419,5	460,5	520,5	550,5
180 B5	350	399	419,5	460,5	520,5	550,5
200 B5	400	-	-	-	-	-
225 B5	450	-	-	-	-	-

**PLM - 25-45**

Dimensioni generali / Dimensions / Allgemeine Abmessungen

Dimensions	25	45
C	44,5	46
c1	4,5	6
D	Standard	20
	Optional	19
	Optional	24
tolerance D	H7	H7
h	/3	125
	/4	135
H	145	175
h1	22	34,5
hp	225	276
n1	7	9
n2	12	15
lp	96,5	118

1.8 Dimensioni

1.8 Dimensions

1.8 Abmessungen

P - Foot housing				
Versions P_L_P	25		45	
a	115		130	
A	131		150	
b	60		70	
B	75		95	
f	M8 X 12		M10 X 15	
h2	35		40	
l	79.5		97.5	
i1	17		20.5	
N	61		77	
O	122		154	
S	16		20	

FA-FB - Flanged versions				
Flanged versions FA-FB	25		45	
	FA	FB	FA	FB
F	125	125	180	180
Fq	110	110	142	142
G	70	70	115	115
tolerance G	F8	F8	F8	F8
P	63.5	93.5	49.5	79.5
P1	86.5	116.5	69	99
R	85	85	150	150
U	5	5	5	5
V	11	11	11	11
Z	9	9	10	10

Fixing - Flange Housing				
Fixing Flange Housing	25		45	
Fp	100		110	
GP	70		80	
tolerance GP	-		-	
Rp	85		95	
Up	2,5		3	
Vp	M8 X 10		M8 X 10	

P_L_R - Input version				
P_L_R	25		45	
d	-		-	
tolerance d	-		-	
L	-		-	
m	-		-	
M	-		-	

P_L_M - Input version					
P_L_M		25/3	25/4	45/3	45/4
IEC	Y	K	K	K	K
56 B5	120	-	112,5	-	-
56 B14	80	-	112,5•	-	-
63 B5	140	95	112,5	-	-
63 B14	90	95•	112,5	-	-
71 B5	160	95	-	133,5	150
71 B14	105	95	-	133,5•	-
80 B5	200	104,5	-	133,5	-
80 B14	120	104,5	-	133,5	-
90 B5	200	-	-	144	150
90 B14	140	-	-	144	-
100-112 B5	250	-	-	146	-
100-112 B14	160	-	-	146	-

(•) Vedi designazione 16 - PMT

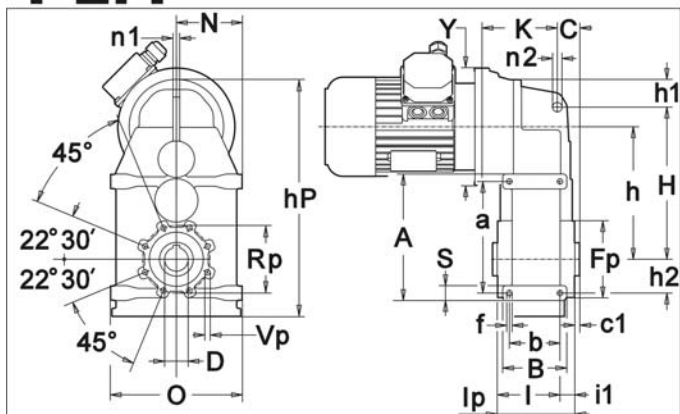
(•) See designation 16 - PMT

(•) Siehe Beschreibung 16 - PMT

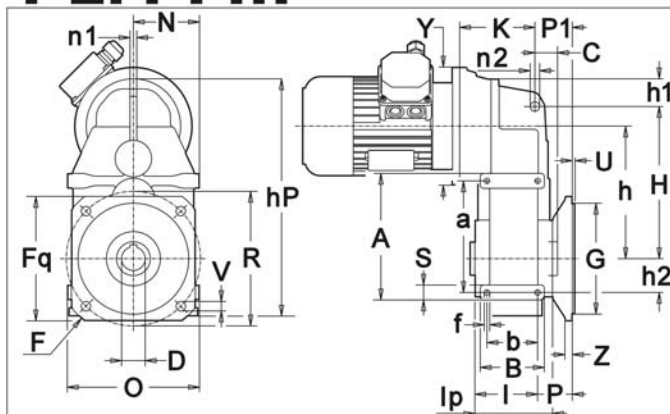


PLM - 65

PLM



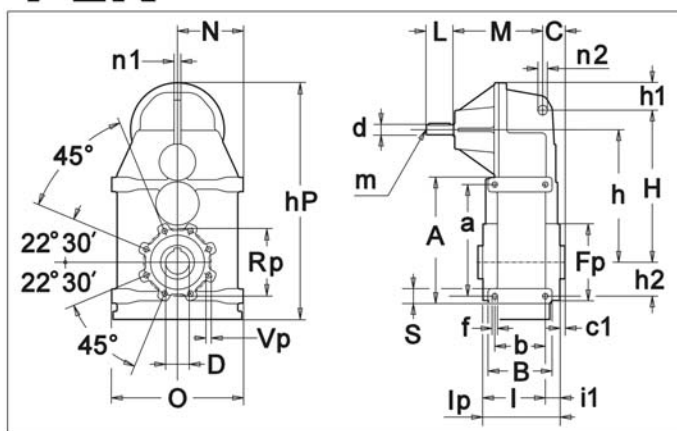
PLM F...



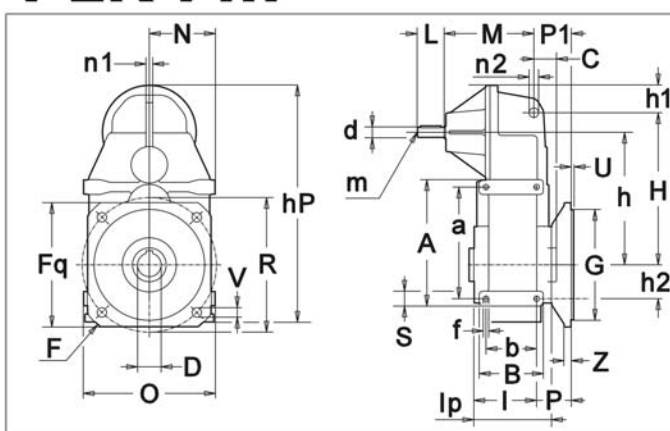
Dimensioni generali / Dimensions / Allgemeine Abmessungen		65
C		33.5
c1		7.5
D	Standard	35
	Optional	30
	Optional	-
tolerance D		H7
h	/3	196
	/4	-
H		225
h1		41
hp		355
n1		10
n2		14
lp		115

PLR - 65

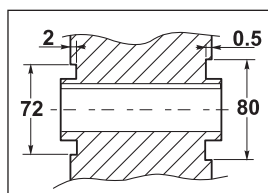
PLR



PLR F...



Flange centering detail.
"G_v" quota.





1.8 Dimensioni

1.8 Dimensions

1.8 Abmessungen

P - Foot housing

Versions P_L_P	65
a	165
A	187
b	75
B	95
f	M8 X 16
h2	50
l	93
i1	22
N	98
O	196
S	22

F1 - Flanged versions

Flanged versions F1	65
F	250
Fq	200
G	180
tolerance G	g6
P	43.5
P1	47.5
R	215
U	4
V	14
Z	11

Fixing - Flange Housing

Fixing Flange Housing	65
Fp	120
GP	72/80
tolerance GP	-
Rp	100
Up	2
Vp	M8 X 16

P_L_R - Input version

P_L_R	65
d	16
tolerance d	h6
L	40
m	M6
M	133.5

P_L_M - Input version

P_L_M		65/3 - (●)
IEC	Y	K
63 B5	140	104.5
63 B14	90	-
71 B5	160	104.5
71B14	105	-
80 B5	200	124.5
80 B14	120	124,5
90 B5	200	124,5
90 B14	140	124,5
100-112 B5	250	134.5
100-112 B14	160	134,5
225 B5	450	-
250 B5	550	-

(●) Vedi designazione 16 - PMT

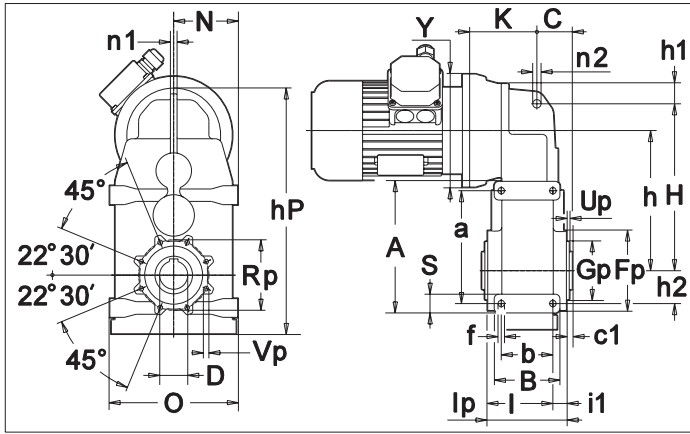
(●) See designation 16 - PMT

(●) Siehe Beschreibung 16 - PMT

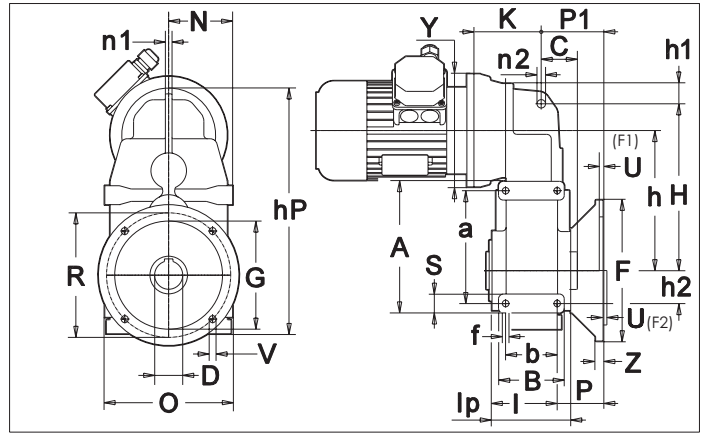


PLM - 85-95

PLM



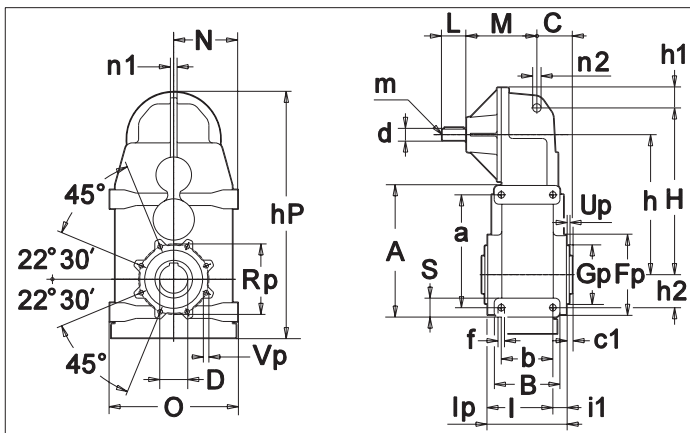
PLM F...



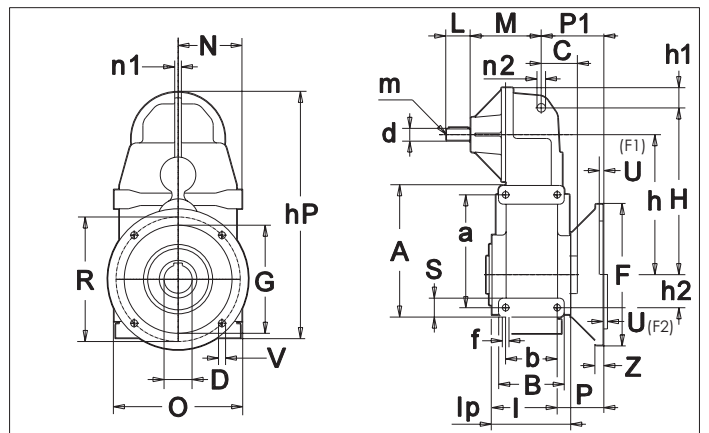
		Dimensioni generali / Dimensions / Allgemeine Abmessungen	
Dimensions		85	95
C		42	52
c1		7.5	8.5
D	Standard	45	55
	Optional	40	50
	Optional	50	60
tolerance D		H7	H7
h	/3	237	298
	/4	-	-
H		260	325
h1		57	73
hp		422	528
n1		12	16
n2		14	14
lp		140	163

PLR - 85-95

PLR



PLR F...



1.8 Dimensioni

1.8 Dimensions

1.8 Abmessungen

P - Foot housing			
Versions P_L_P	85		95
a	190		240
A	220		275
b	95		110
B	120		140
f	M12		M14
h2	60		70
l	115		136.5
i1	25		26.5
N	111.5		136.5
O	223		273
S	30		35

F1-F2 - Flanged versions			
Flanged versions F1-F2	85		95
	F1	F1	F2
F	250	300	350
Fq	-	-	-
G	180	230	250
tolerance G	F8	F8	g6
P	80.5	55.5	95.5
P1	89	72.5	112.5
R	215	265	300
U	5	6	5
V	n°4 fori ø 13	n° 8 fori ø 14	n° 4 fori ø 18
Z	14	16	18

Fixing - Flange Housing			
Fixing Flange Housing	85		95
Fp	150		200
GP	110		140
tolerance GP	-		-
Rp	125		165
Up	4.5		6
Vp	M8 X 12		M12

P_L_R - Input version			
P_L_R	85		95
d	19		24
tolerance d	h6		h6
L	40		50
m	M6		M8
M	155		170.5

P_L_M - Input version				
P_L_M		85/3 - (•)		95/3 - (•)
IEC	Y	K		K
71 B5	160	121		-
71B14	105	-		-
80 B5	200	136		151.5
80 B14	120	136		-
90 B5	200	136		151.5
90 B14	140	136		-
100-112 B5	250	146		161.5
100-112 B14	160	146		-
132 B5	300	170		182.5
132 B14	200	170		-
160 B5	350	-		212.5

(•) Vedi designazione 16 - PMT

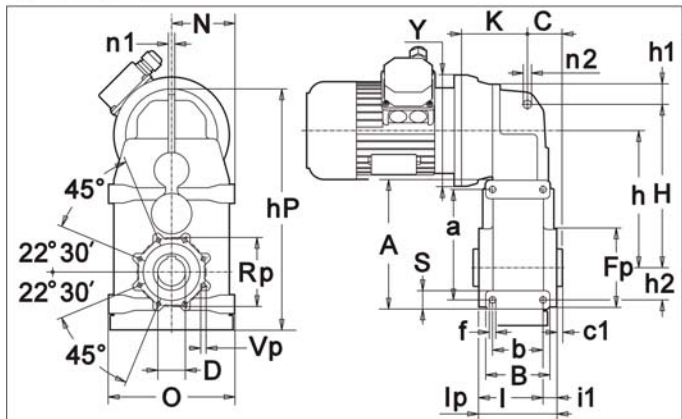
(•) See designation 16 - PMT

(•) Siehe Beschreibung 16 - PMT

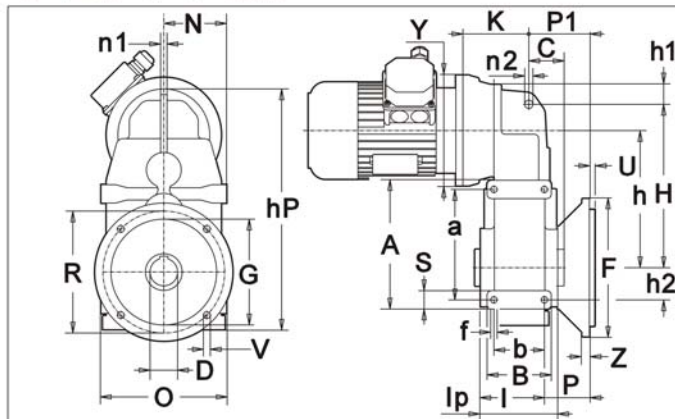


PLM 105

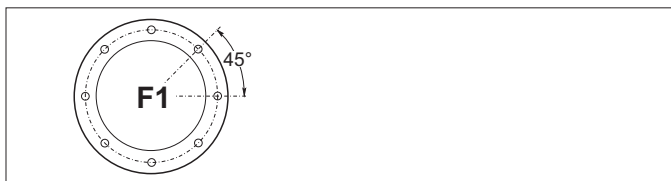
PLM



PLM F...

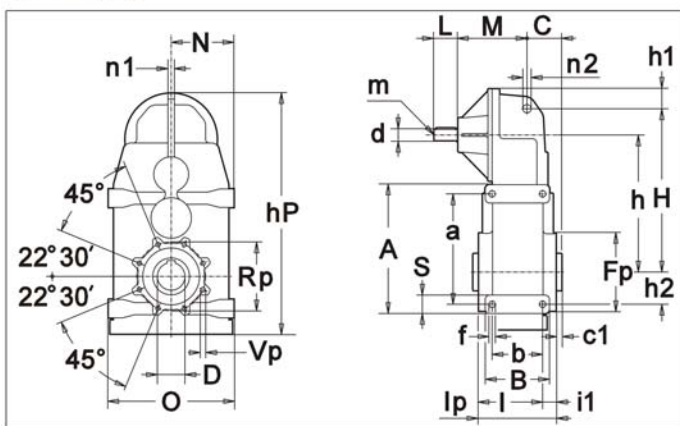


Dimensioni generali / Dimensions / Allgemeine Abmessungen		105
Dimensions		105
C		85.5
c1		1
D	Standard	60
	Optional	70
	Optional	-
tolerance D		H7
h	/3	311
	/4	-
H		375
h1		36
hp		554
n1		20
n2		22
lp		240

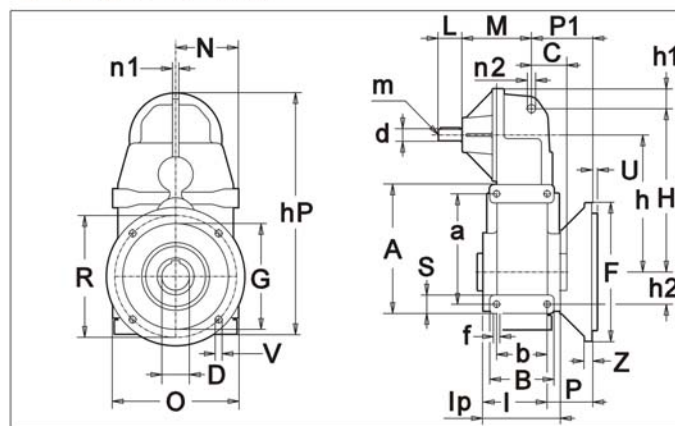


PLR 105

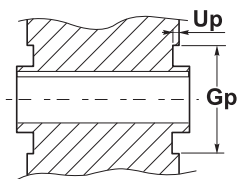
PLR



PLR F...



Flange centering detail. "Gp" quota.





1.8 Dimensioni

1.8 Dimensions

1.8 Abmessungen

P - Foot housing

Versions P_L_P	105
a	260
A	300
b	140
B	180
f	M16 X 30
h2	70
l	190
i1	50
N	152.5
O	305
S	40

F1 - Flanged versions

Flanged versions F1	105 F1
F	350
Fq	-
G	250
tolerance G	g6
P	90
P1	124.5
R	300
U	5
V	n° 8 fori ø 18
Z	17

Fixing - Flange Housing

Fixing Flange Housing	105
Fp	210
GP	140
tolerance GP	-
Rp	175
Up	5
Vp	M12 X 24

P_L_R - Input version

P_L_R	105
d	24
tolerance d	h6
L	50
m	M8
M	171

P_L_M - Input version

P_L_M	105/3 - (•)
IEC	Y
80 B5	200
80 B14	120
90 B5	200
90 B14	140
100-112 B5	250
100-112 B14	160
132 B5	300
132 B14	200
160 B5	350

(•) Vedi designazione 16 - PMT

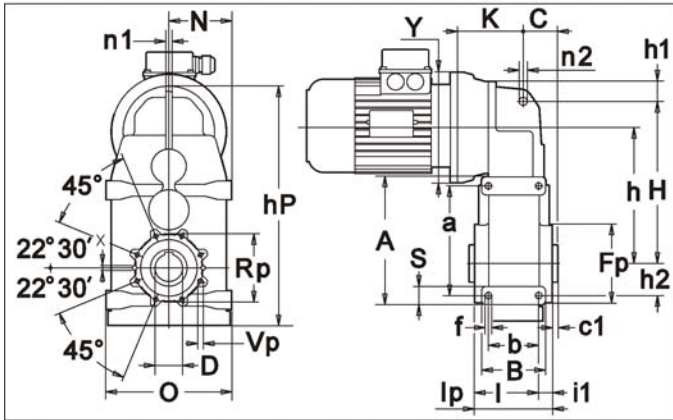
(•) See designation 16 - PMT

(•) Siehe Beschreibung 16 - PMT

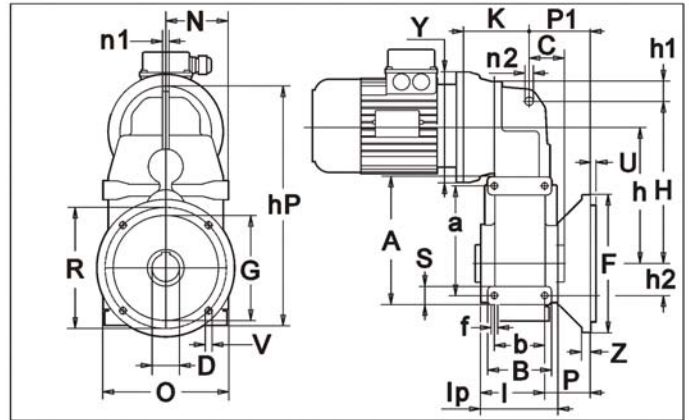


PLM 115-125-135

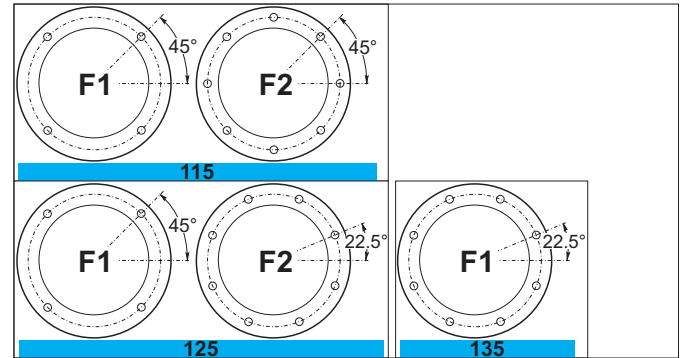
PLM



PLM F...



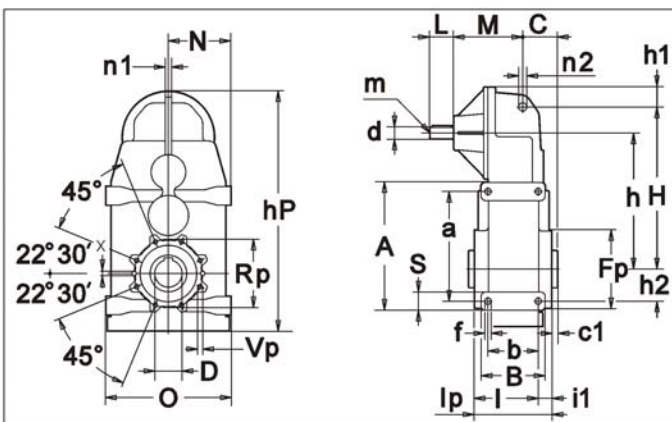
Dimensioni generali / Dimensions / Allgemeine Abmessungen			
Dimensions	115	125	135
C	83.5	74	85.5
c1	4.5	6	5
D	Standard	70	90
	Optional	80	-
	Optional	-	-
tolerance D	H7	H7	H7
h	/3	372	432
	/4	-	-
H	450	550	595
h1	47	57	65
hp	666	793	886
n1	20	28	32
n2	22	26	32
lp	265	290	330



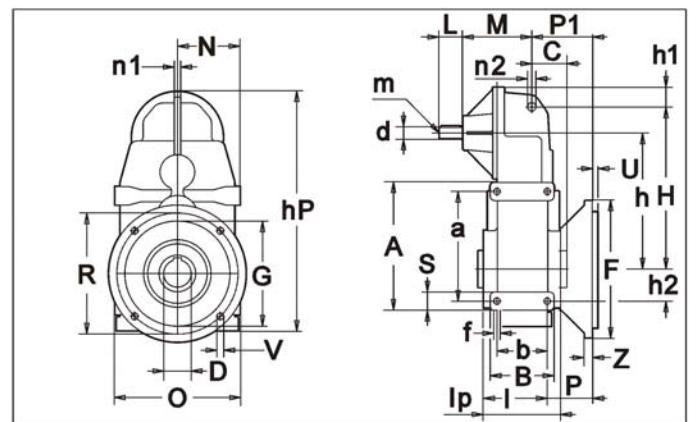
Detail holes - flange "F1-F2"

PLR 115-125-135

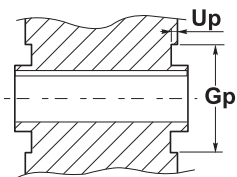
PLR



PLR F...



Flange centering detail.
"Gp" quota.





1.8 Dimensioni

1.8 Dimensions

1.8 Abmessungen

P - Foot housing				
Versions P_L_P	115	125	135	
a	285	330	400	
A	333	390	470	
b	190	230	270	
B	230	282	325	
f	M16 X 30	M20 X 35	M30 X 50	
h2	80	90	100	
l	227.5	260	300	
i1	37.5	30	30	
N	172.5	205.5	230	
O	345	411	460	
S	48	60	70	

F1-F2 - Flanged versions					
Flanged versions F1-F2	115		125		135
	F1	F2	F1	F2	F1
F	400	450	400	450	550
Fq	-	-	-	-	-
G	300	350	300	350	450
tolerance G	g6	g6	g6	g6	g6
P	79.5	79.5	68.5	68,5	86
P1	121	121	107	107	136.5
R	350	400	350	400	500
U	5	5	5	5	5
V	n° 4 fori ø 18	n° 8 fori ø 19	n° 4 fori ø 18	n° 8 fori ø 18	n° 8 fori ø 18
Z	18	18	18	25	25

Fixing - Flange Housing			
Fixing Flange Housing	115	125	135
Fp	240	275	310
GP	160	180	200
tolerance GP	-	-	-
Rp	200	225	250
Up	5	5	5
Vp	M14 X 28	M16 X 36	M18 X 36

P_L_R - Input version			
P_L_R	115	125	135
d	28	38	48
tolerance d	h6	h6	k6
L	60	80	110
m	M8	M10	M10
M	235	339.5	320

P_L_M - Input version				
P_L_M		115/3	125/3	135/3
IEC	Y	K	K	K
100-112 B5	250	197	287.5	-
100-112 B14	160	-	-	-
132 B5	300	197	287.5	326.75
132 B14	200	197	287,5	-
160 B5	350	261	331	335.75
180 B5	350	261	331	335,75
200 B5	400	266	336	340.75
225 B5	450	-	345	380,75
250 B5	550	-	-	380,75



ESTREMITA USCITA - Accessori - Opzioni
OUTPUT CONFIGURATIONS - Accessories - Options
ENDEN DER AUSGANGSWELLEN - Zubehör - Optionen

STIM
team

STIM
team

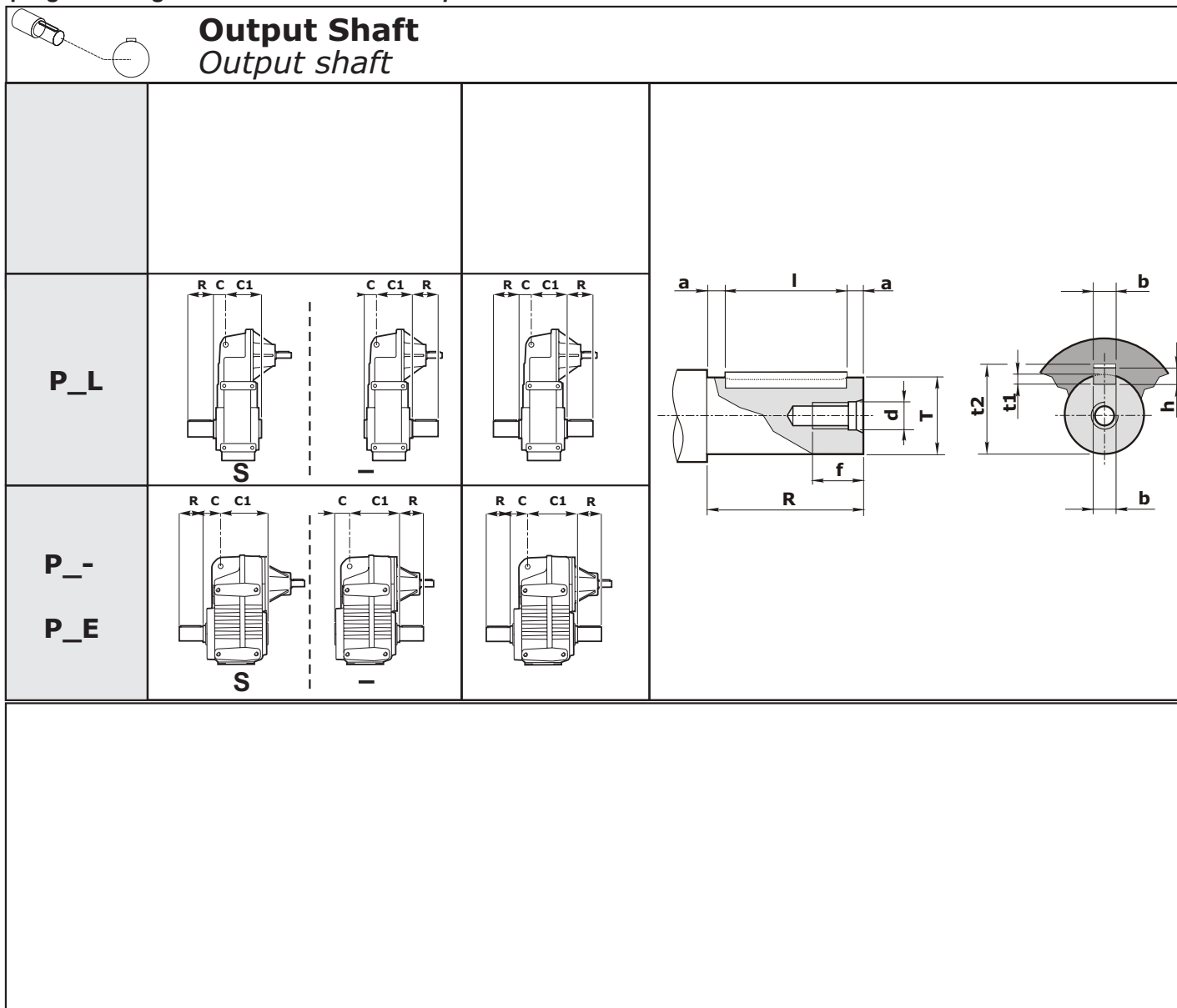
		Output shaft Double integral output shaft	E181
		Hollow shaft with keyway	E182
		Quick Locking Adjustment "Quick Locking"	E186
		Hollow shaft with shrink disk	E188
		Splined hollow shaft	E190
		Splined output shaft Double splined shaft	E192
		Broached flange Double broached flange	E194
		OPT - ACC. - Accessories - Options	E196



Sporgente Integrale

Output shaft

Vollwelle



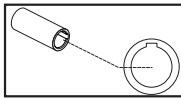
P_-	P_L	P_E		Ø Shaft				Tapped hole		Keyway			Shaft end		Key
				T	toll T	C	C1	d	f	b	t1	t2	R	a	bxhxl
-	25	-	Standard	20	g6	44.5	60.5	M 6	15	6	3.5	22.8	40	8	6x6x25
-	45	-	Standard	30	g6	46	84	M 10	25	8	4	33.3	60	5	8x7x50
63	-	-	Standard	30	g6	31.5	88.5	M 10	25	8	4	33.3	60	5	8X7X50
71	-	-	Standard	35	g6	35	115	M 10	25	10	5	38.3	70	5	10X8X60
-	65	-	Standard	35	g6	33.5	96.5	M 10	25	10	5	38.3	70	5	10x8x60
80	-	-	Standard	32	k6	30	100	M8	22	10	5	35.3	60	5	10x8x50
90	-	-	Standard	40	g6	45	135	M 10	25	12	5	43.3	80	5	12X8X70
-	85	-	Standard	45	g6	42	113	M 10	25	14	5.5	48.3	90	5	14x9x80
100	-	-	Standard	45	g6	42	113	M 10	25	14	5.5	48.8	90	5	14x9x80
112	-	-	Standard	50	g6	50 - N 51 - B	160 - N 161 - B	M 12	32	14	5.5	53.8	100	5	14X9X90
-	95	-	Standard	55	g6	52	128	M 12	32	16	6	59.3	110	5	16x10x100
125	-	125	Standard	55	g6	44.5	135.5	M 12	32	16	6	59.3	110	5	16X10X100
-	105	-	Standard	60	m6	85.5	156.5	M 12	35	18	7	64.4	112	6	18x11x100
-	-	-	Opzionale	70	m6	85.5	156.5	M 16	39	20	7.5	74.9	125	7.5	20x12x110
132	-	132	Standard	60	m6	62	180	M12	35	18	7	64.4	112	6	18x11x100
-	-	-	Opzionale	70	m6	62	180	M16	39	20	7.5	74.9	125	7.5	20x12x110
-	115	-	Standard	70	m6	83.5	190.5	M 16	39	20	7.5	74.9	125	7.5	20x12x100
-	-	-	Opzionale	80	m6	83.5	190.5	M 16	39	22	9	85.4	140	7.5	22x14x125
150	-	150	Standard	70	m6	70	204	M16	39	20	7.5	74.9	125	7.5	20x12x110
-	-	-	Opzionale	80	m6	70	204	M16	39	22	9	85.4	140	7.5	22x14x125
-	125	-	Standard	90	m6	74.3	227.8	M 16	39	25	9	95.4	160	10	25x14x140
170	-	170	Standard	90	m6	77	225	M16	39	25	9	95.4	160	10	25x14x140
-	135	-	Standard	100	m6	85.5	254.5	M 20	46	28	10	106.4	180	10	28x16x160
190	-	190	Standard	100	m6	75	265	M20	46	28	10	106.4	180	10	28x16x160



Albero cavo

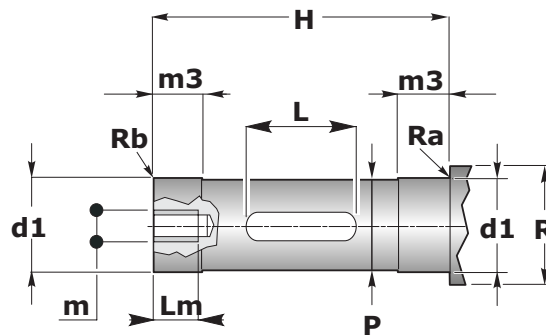
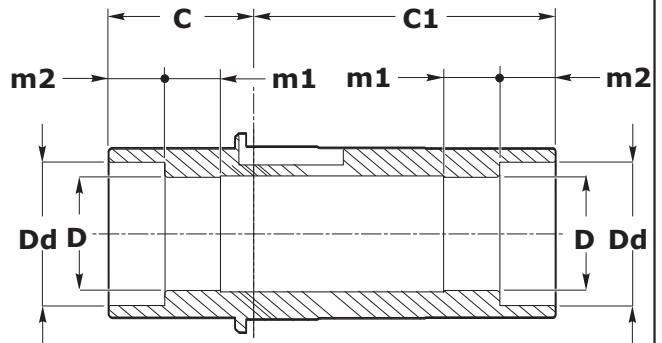
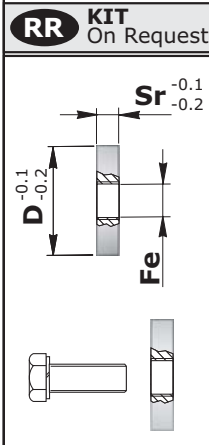
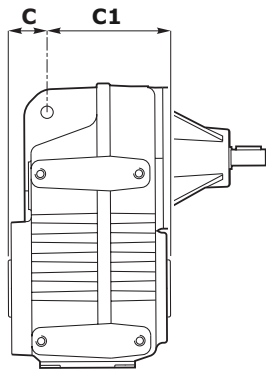
Hollow shaft

Hohlwelle



Output Shaft
Hollow shaft with keyway

63
71
90
112



P_-	P_L	P_E		C	C1	D	toll D	m1	m2	Dd	d1	toll d1	m3	Lm	m	H	L min	P	R	Ra	Rb
											Machine shaft										
63	-	-	Standard	31.5	88.5	30	H7	15	15	38	30	h6	20	25	M10	88	50	29.8	36	-	-
			Optional	31.5	88.5	25	H7	15	15	38	25	h6	20	25	M8	88	50	24.8	36	-	-
			Optional	31.5	88.5	28	H7	15	15	38	28	h6	20	25	M10	88	50	27.8	36	-	-
71	-	-	Standard	35	115	35	H7	30	15	43	35	h6	35	25	M 10	118	60	34.8	42.5	-	-
			Optional	35	115	30	H7	30	15	43	30	h6	35	25	M 10	118	60	29.8	42.5	-	-
90	-	-	Optional	35	115	32	H7	30	15	43	32	h6	35	25	M 10	118	60	31.8	42.5	-	-
			Standard	45	135	40	H7	35	20	55	40	h6	40	25	M 10	138	90	39.8	54.5	-	-
			Optional	45	135	42	H7	35	20	55	42	h6	40	25	M 10	138	90	41.8	54.5	-	-
			Optional	45	135	45	H7	35	20	55	45	h6	40	25	M 10	138	90	44.8	54.5	-	-
112	-	-	Optional	45	135	48	H7	35	20	55	48	h6	40	25	M 10	138	90	47.8	54.5	-	-
			Standard	50	160	50	H7	35	25	61	50	h6	35	32	M 12	158	110	49.8	60	-	-
			Optional	50	160	55	H7	35	25	61	55	h6	35	32	M 12	158	110	54.8	60	-	-

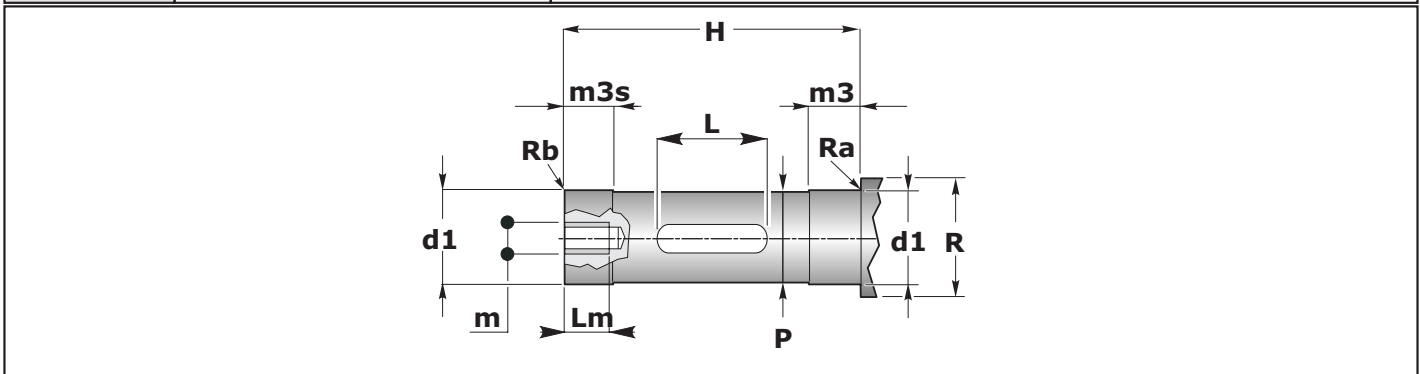
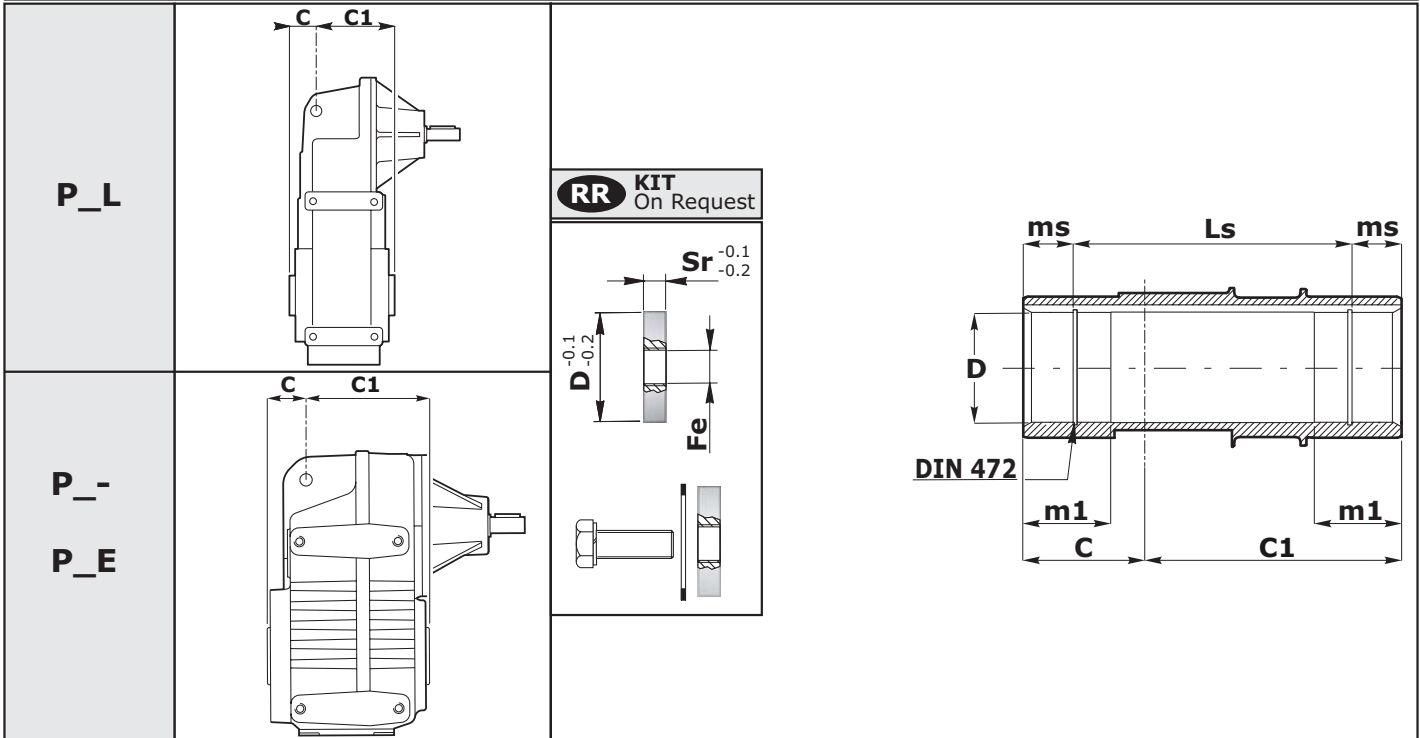


Albero cavo

Hollow shaft

Hohlwelle

Output Shaft
Hollow shaft with keyway



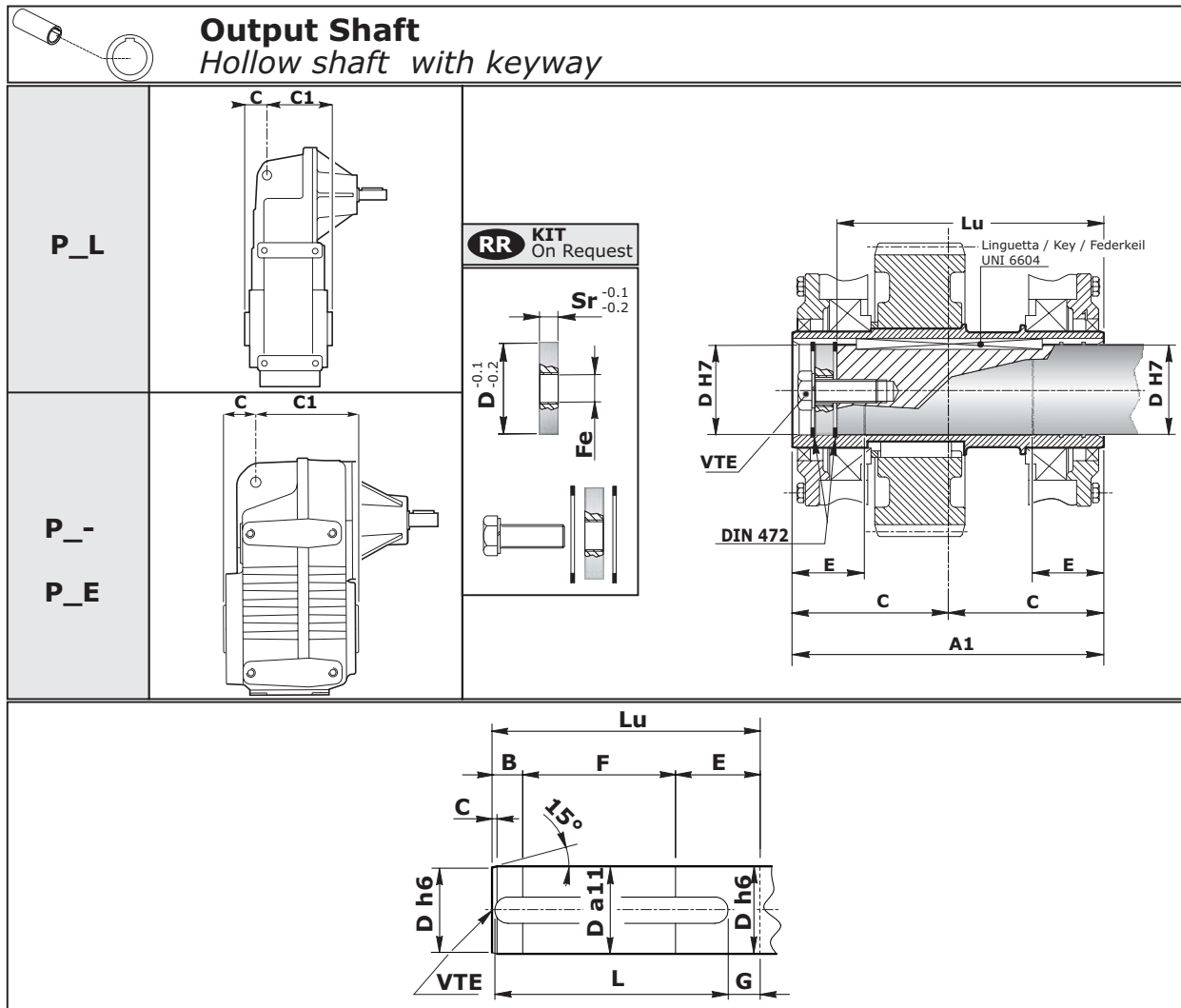
P_-	P_L	P_E		C	C1	D	toll. D	m1	ms	Ls	Sr	Fe	d1	toll. d1	m3	m3s	Lm	m	H	L min	P	R
Machine shaft																						
-	25	-	Standard	44.5	60.5	20	H7	25.5	-	-	-	-	20	h6	30	30	15	M6	103	40	19.8	30
-	25	-	Optional	44.5	60.5	24	H7	25.5	-	-	-	-	24	h6	30	30	25	M8	103	40	23.8	30
-	25	-	Optional	44.5	60.5	19	H7	25.5	-	-	-	-	19	h6	30	30	15	M6	103	40	18.8	30
-	45	-	Standard	46	84	30	H7	40	20	90	8	M12	30	h6	45	8	25	M10	98	50	29.8	40
-	45	-	Optional	46	84	25	H7	40	20	90	8	M12	25	h6	45	8	25	M8	98	50	24.8	40
-	65	-	Standard	33.5	96.5	35	H7	35	-	-	-	-	35	h6	40	40	25	M10	128	60	34.8	45
-	65	-	Optional	33.5	96.5	30	H7	35	-	-	-	-	30	h6	40	40	25	M10	128	60	29.8	45
80	-	-	Standard	30	100	32	H7	35	15	100	-	-	32	h6	30	30	25	M10	119	70	31.8	42
80	-	-	Optional	30	100	30	H7	35	15	100	-	-	30	h6	30	30	25	M10	119	70	29.8	40
80	-	-	Optional	30	100	35	H7	35	15	100	-	-	35	h6	30	30	25	M10	119	70	34.8	45
-	85	-	Standard	42	113	45	H7	42.5	15	125	10	M14	45	h6	45	15	25	M10	125	80	44.8	55
-	85	-	Optional	42	113	50	H7	42.5	15	125	10	M14	50	h6	45	15	32	M12	125	80	49.8	60
-	85	-	Optional	42	113	40	H7	42.5	15	125	10	M14	40	h6	45	15	25	M10	125	80	39.8	50
100	-	-	Standard	42	113	45	H7	42.5	15	125	10	M14	45	h6	45	15	25	M10	125	80	44.8	55
100	-	-	Optional	42	113	50	H7	42.5	15	125	10	M14	50	h6	45	15	32	M12	125	80	49.8	60
100	-	-	Optional	42	113	40	H7	42.5	15	125	10	M14	40	h6	45	15	25	M10	125	80	39.8	50
-	95	-	Standard	52	128	55	H7	55	17.5	145	15	M14	55	h6	60	20	32	M12	142	110	54.8	65
-	95	-	Optional	52	128	60	H7	55	17.5	145	15	M14	60	h6	60	20	32	M12	142	110	59.8	70
-	95	-	Optional	52	128	50	H7	55	17.5	145	15	M14	50	h6	60	20	32	M12	142	110	49.8	60
125	-	125	Standard	44.5	135.5	55	H7	55	17.5	145	15	M14	55	h6	60	20	32	M12	142	110	54.8	65
125	-	125	Optional	44.5	135.5	60	H7	55	17.5	145	15	M14	60	h6	60	20	32	M12	142	110	59.8	70
125	-	125	Optional	44.5	135.5	50	H7	55	17.5	145	15	M14	50	h6	60	20	32	M12	142	110	49.8	60



Albero cavo

Hollow shaft

Hohlwelle



P_-	P_L	P_E		A1	C	C1	D	tol. D	E	Lu	Sr	Fe	VTE
-	105	-	Standard	242	85.5	156.5	60	H7	56	207.5	15	M27	M20x60
			Optional	242	85.5	156.5	70	H7	56	207.5	15	M27	M20x60
132	-	132	Standard	242	62	180	60	H7	56	207.5	15	M27	M20x60
			Optional	242	62	180	70	H7	56	207.5	15	M27	M20x60
-	115	-	Standard	274	83.5	190.5	70	H7	63	239.5	15	M27	M20x60
			Optional	274	83.5	190.5	80	H7	63	239.5	15	M27	M20x60
150	-	150	Standard	274	70	204	70	H7	63	239.5	15	M27	M20x60
			Optional	274	70	204	80	H7	63	239.5	15	M27	M20x60
-	125	-	Standard	302	74.3	227.8	90	H7	70	261	18	M30	M24x75
170	-	170	Standard	302	77	225	90	H7	70	261	18	M30	M24x75
-	135	-	Standard	340	85.5	254.5	100	H7	80	299	18	M30	M24x75
190	-	190	Standard	340	75	265	100	H7	80	299	18	M30	M24x75

Machine shaft

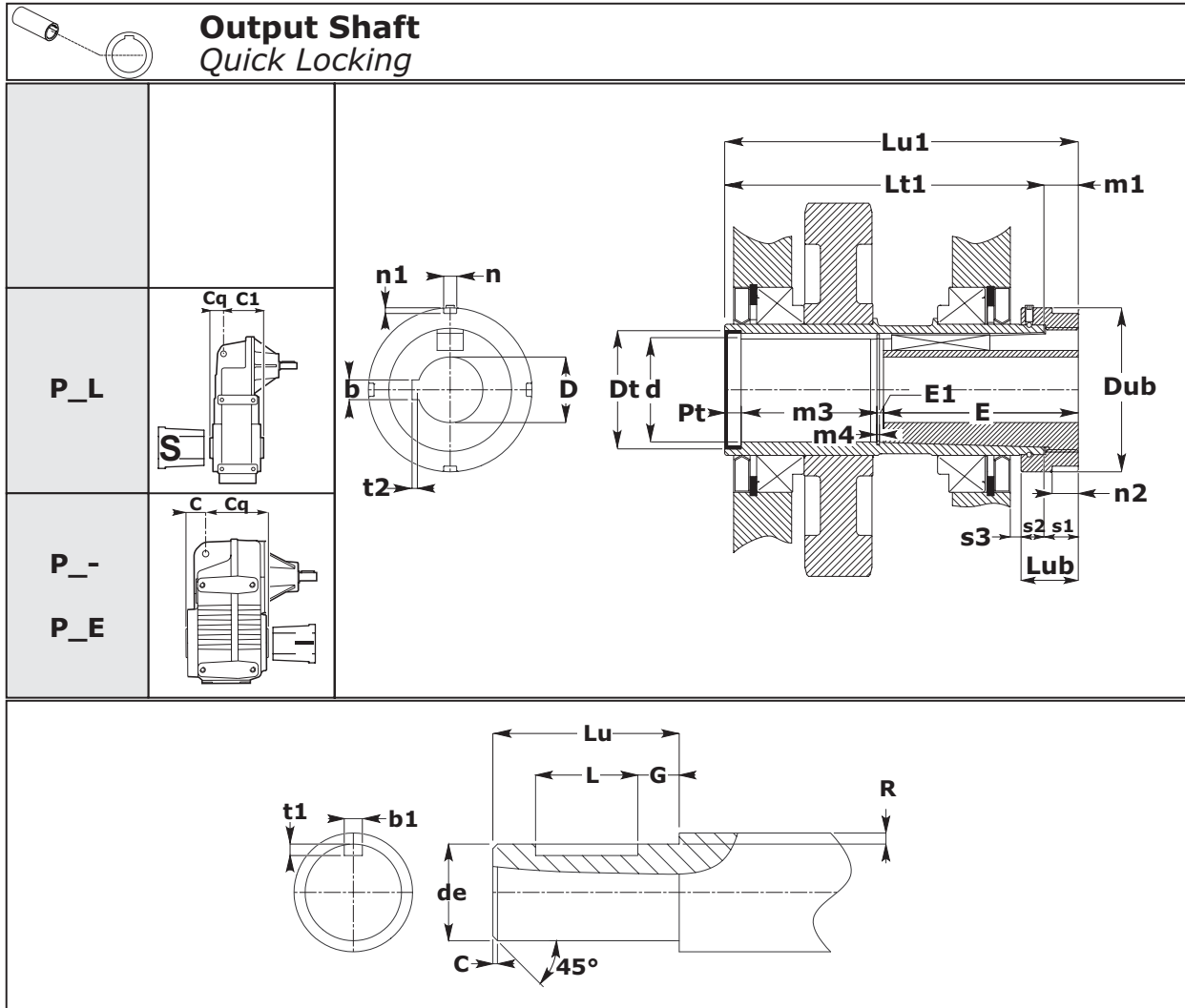
P_-	P_L	P_E		B	C	D	tol. D	E	F	G	L	Lu	VTE
-	105	-	Standard	26.5	4	60	h6	61	120	25	180	207.5	M20
			Optional	26.5	4	70	h6	61	120	25	180	207.5	M20
132	-	132	Standard	26.5	4	60	h6	61	120	25	180	207.5	M20
			Optional	26.5	4	70	h6	61	120	25	180	207.5	M20
-	115	-	Standard	33.5	4.5	70	h6	68	138	36	200	239.5	M20
			Optional	33.5	4.5	80	h6	68	138	36	200	239.5	M20
150	-	150	Standard	33.5	4.5	70	h6	68	138	36	200	239.5	M20
			Optional	33.5	4.5	80	h6	68	138	36	200	239.5	M20
-	125	-	Standard	36	5	90	h6	77	148	37	220	261	M24
170	-	170	Standard	36	5	90	h6	77	148	37	220	261	M24
-	135	-	Standard	44	5.5	100	h6	85	170	43	250	299	M24
190	-	190	Standard	44	5.5	100	h6	85	170	43	250	299	M24



E



**Pagina bianca
Leerseite
Blank page**



		P_E									
		P_-									
		71	80	90	100	112	125	132	150	170	190
C		35	30	45	42	50	44.5	62	70	77	75
Cq		151	136	171	149	196	171.5	216	240	261	301
d		35.2	35.2	49.2	49.2	54.2	60.2	70.2	80.2	90.2	100.2
Dt		47	47	62	62	65	72	85	100	110	120
Dub		70	70	85	85	90	100	105	120	135	145
E		91	91	121	121	131	131	141	161	181	201
E1		3.5	3.5	3.5	3.5	3.5	3.5	4.2	4.2	4.2	5.2
Lt1		165	145	195	170	225	195	257	289	317	355
Lu1		186	166	216	191	246	216	278	310	338	376
Lub		35	35	35	35	35	35	35	35	35	35
m1		21	21	21	21	21	21	21	21	21	21
m3		84.5	64.5	83.5	58.5	101.5	71.5	120.8	132.8	140.8	157.8
m4		1.7	1.7	1.7	1.7	1.7	1.7	2.2	2.2	2.2	2.7
n2		15	15	15.5	15.5	15.5	16	16	17	17	17
Pt		On request									
s1		21	21	21	21	21	21	21	21	21	21
s2		14	14	14	14	14	14	14	14	14	14
s3		8	4.5	8	5	8.5	6.5	10	13	17	15
D H7	20			25	25						
	25			30	30						
	30			35	35						
		20		38	38	30	35	40	45	55	70
		25		40	40	35	40	45	55	60	75
		30		42	42	40	45	50	60	65	80
				45	45	45	50	55	65	70	85
n	6	6	7	7	7	8	8	10	10	10	
n1	2.5	2.5	3	3	3	3.5	3.5	4	4	4	

Albero cavo - QL

Hollow shaft - QL

Hohlwelle - QL

	P L					
	85	95	105	115	125	135
C1	113	128	156.5	190.5	227.8	-
Cq	78	88	121.5	119.5	110.2	-
d	49.2	60.2	70.2	80.2	90.2	100.2
Dt	62	72	85	100	110	120
Dub	85	100	105	120	135	145
E	121	131	141	161	181	201
E1	3.5	3.5	4.2	4.2	4.2	5.2
Lt1	170	195	257	289	317	355
Lu1	191	216	278	310	338	376
Lub	35	35	35	35	35	35
m1	21	21	21	21	21	21
m3	58.5	71.5	120.8	132.8	140.8	157.8
m4	1.7	1.7	2.2	2.2	2.2	2.7
n2	15.5	16	16	17	17	17
Pt	On request					
s1	21	21	21	21	21	21
s2	14	14	14	14	14	14
s3	5	6.5	10	13	17	15
D H7	25 30 35 38 40 42 45 48	35 40 45 48 50 55	40 45 50 55 60 65	45 50 55 60 65 70 75	55 60 65 70 75 80	70 75 80 85 90
n	7	8	8	10	10	10
n1	3	3.5	3.5	4	4	4

Perno macchina / Customer shaft / Maschinachse

	C	de h6	G	L	Lu	R	b1	t1
71	1	(20)	10	40	90	5		
		(25)		50				
		(30)		60				
80	1	(20)	10	40	90	5		
		(25)		50				
		(30)		60				
90	1.5	(25)	10	50	120	5		
		(30)		60				
		(35)		70				
		(38)		70				
		(40)		80				
		(42)		80				
		(45)		90				
(48)	90							
100	1.5	(25)	10	50	120	5		
		(30)		60				
		(35)		70				
		(38)		70				
		(40)		80				
		(42)		80				
		(45)		90				
(48)	90							
112	1.5	(30)	10	60	130	5		
		(35)		70				
		(40)		80				
		(45)		90				
		(50)		100				

	C	de h6	G	L	Lu	R	b1	t1
125	1.5	(35)	10	70	130	5		
		(40)		80				
		(45)		90				
		(48)		90				
		(50)		100				
(55)	100							
132	1.5	(40)	10	80	140	7.5		
		(45)		90				
		(50)		100				
		(55)		100				
		(60)		120				
		(65)		120				
150	2	(45)	10	90	160	7.5		
		(50)		100				
		(55)		100				
		(60)		120				
		(65)		120				
		(70)		120				
170	2	(55)	10	100	180	7.5		
		(60)		120				
		(65)		120				
		(70)		120				
		(75)		150				
190	2	(70)	10	120	200	10		
		(75)		150				
		(80)		150				
		(85)		170				
		(90)		170				

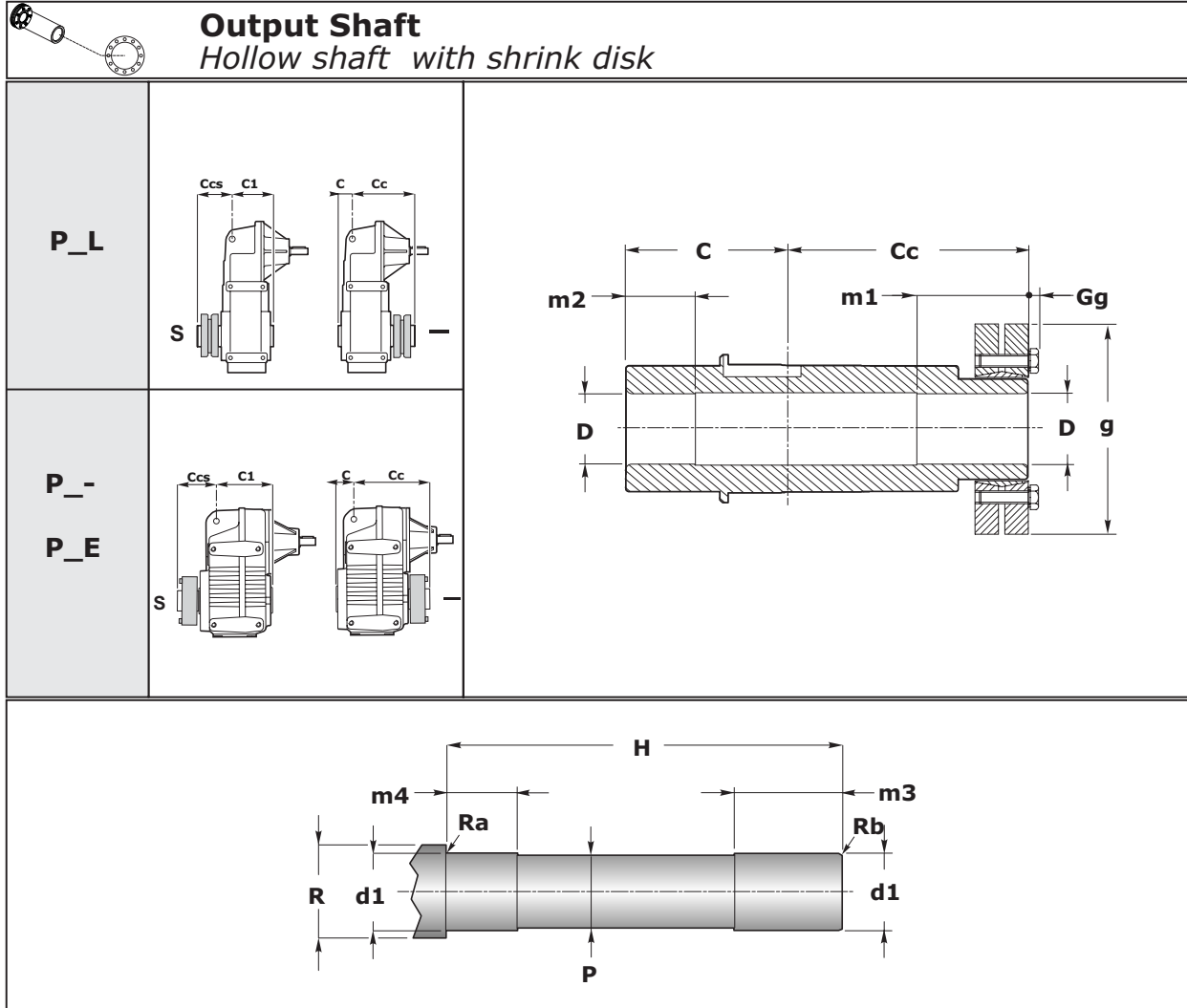
	C	de h6	G	L	Lu	R	b1	t1
85	1.5	(25)	10	50	120	5		
		(30)		60				
		(35)		70				
		(38)		70				
		(40)		80				
		(42)		80				
		(45)		90				
(48)	90							
95	1.5	(35)	10	70	130	5		
		(40)		80				
		(45)		90				
		(48)		90				
		(50)		100				
		(55)		100				
105	1.5	(40)	10	80	140	7.5		
		(45)		90				
		(50)		100				
		(55)		100				
		(60)		120				
		(65)		120				
115	2	(45)	10	90	160	7.5		
		(50)		100				
		(55)		100				
		(60)		120				
		(65)		120				
		(70)		120				
125	2	(55)	10	100	180	7.5		
		(60)		120				
		(65)		120				
		(70)		120				
		(75)		150				
		(80)		150				
135	2	(70)	10	120	200	10		
		(75)		150				
		(80)		150				
		(85)		170				
		(90)		170				



Albero uscita cavo con unità di bloccaggio

Hollow output shaft with shrink disc

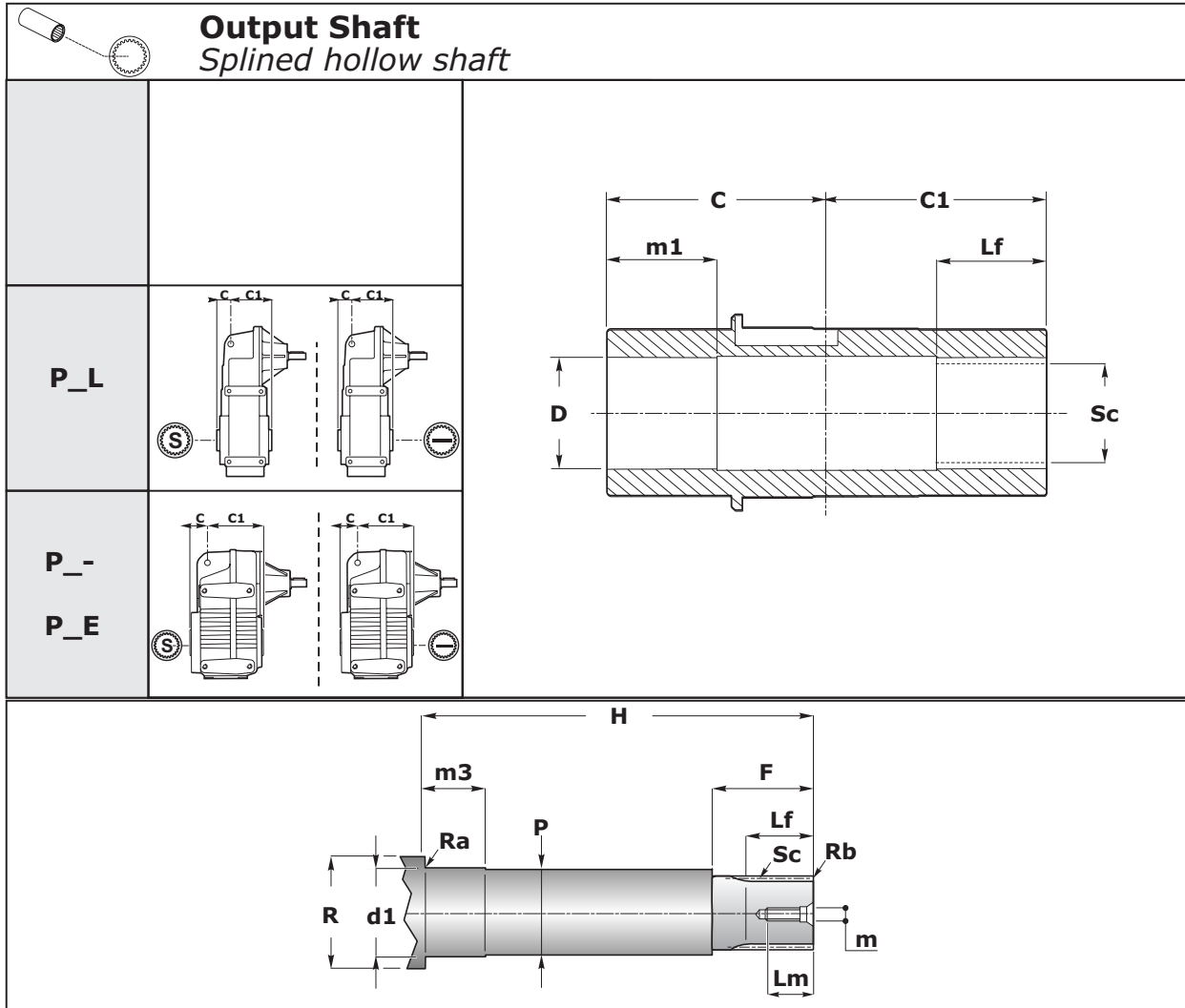
Hohlwelle mit Schrumpfscheibe



P -	P_L	P_E		C	Cc	C1	Ccs	D	toll.D	m1	m2	g	Gg
-	25	-	Standard	44.5	82.5	60.5	66.5	20	H7	35	25.5	50	3.5
-	45	-	Standard	46	109	84	71	30	H7	35	30	72	4
63	-	-	Standard	31.5	113.5	88.5	56.5	30	H7	40	25	72	4
71	-	-	Standard	35	140	115	60	35	H7	40	25	80	4
-	65	-	Standard	33.5	124.5	96.5	61.5	35	H7	40	30	80	4
80	-	-	Standard	30	130	100	60	35	H7	40	30	80	4
90	-	-	Standard	45	165	135	75	40	H7	50	30	90	6
-	85	-	Standard	42	143	113	72	45	H7	50	30	100	4
100	-	-	Standard	42	143	113	72	45	H7	50	30	100	4
112	-	-	Standard	50	195	160	85	50	H7	55	40	110	1
-	95	-	Standard	52	163	128	87	55	H7	60	50	115	4
125	-	125	Standard	44.5	170.5	135.5	79.5	55	H7	60	50	115	4

Machine shaft

P -	P_L	P_E		d1	toll. d1	H	m3	m4	P	R	Ra	Rb
-	25	-	Standard	20	h6	127	40	30	18.8	30	-	-
-	45	-	Standard	30	h6	155	40	35	29.8	40	-	-
63	-	-	Standard	30	h6	145	45	30	29.8	63	-	-
71	-	-	Standard	35	h6	175	45	30	34.8	42.5	-	-
-	65	-	Standard	35	h6	158	45	35	34.8	45	-	-
80	-	-	Standard	35	h6	160	45	35	34.8	45	0.5	0.5
90	-	-	Standard	40	h6	210	55	35	39.8	54.5	-	-
-	85	-	Standard	45	h6	185	55	35	44.8	55	-	-
100	-	-	Standard	45	h6	185	55	35	44.8	55	0.5	1
112	-	-	Standard	50	h6	245	60	45	49.8	60	-	-
-	95	-	Standard	55	h6	215	65	55	54.8	65	-	-
125	-	125	Standard	55	h6	215	65	55	54.8	65	0.5	1



P_-	P_L	P_E		C	C1	D	tol.D	m1	Lf	Sc		d1	tol.d1	m3	H	P	R	Ra	Rb	F	Lf	Lm	m
												Machine shaft											
-	45	-	Standard	46	84	30	H7	30	30	28 x 45 DIN 5482		30	h6	25	126	29	40	1	1 x 45°	40	30	25	M10
63	-	-	Standard	31.5	88.5	30	H7	35	35	28 x 45 DIN 5482		30	h6	30	117	29	40	0.5	1x45°	45	35	20	M8
71	-	-	Standard	35	115	37	H7	40	45	35 x 31 DIN 5482		37	h6	35	147	36	48	0.5	1X45°	50	40	25	M10
-	65	-	Standard	33.5	96.5	37	H7	40	40	35 x 31 DIN 5482		37	h6	35	126	36	45	1	1 x 45°	50	40	25	M10
80	-	-	Standard	30	100	37	H7	40	40	35 x 31 DIN 5482		37	h6	35	127	36	48	0.5	1x45°	50	40	25	M10
90	-	-	Standard	45	135	45	H7	55	55	40 x 36 DIN 5482		45	h6	50	177	42	55	0.5	1x45°	65	55	25	M10
-	85	-	Standard	42	113	47	H7	55	55	45 x 41 DIN 5482		47	h6	50	155	46	60	1	1.5x45°	65	55	25	M10
100	-	-	Standard	42	113	47	H7	55	55	45 x 41 DIN 5482		47	h6	50	155	46	60	1	1,5x45°	65	55	25	M10
112	-	-	Standard	50	160	55	H7	60	65	50 x 45 DIN 5482		55	h6	55	210	52	65	1	1,5X45°	75	65	35	M12
-	95	-	Standard	52	128	57	H7	60	60	55 x 50 DIN 5482		57	h6	55	175	56	75	1	1.5x45°	70	60	35	M12
125	-	125	Standard	44.5	135.5	57	H7	60	60	55 x 50 DIN 5482		57	h6	55	175	56	75	1	1,5X45°	70	60	35	M12
-	105	-	Standard	85.5	156.5	72	H7	70	70	70 x 64 DIN 5482		72	h6	65	238	71	85	2	1.5x45°	80	70	39	M16
132	-	132	Standard	62	180	72	H7	70	70	70 x 64 DIN 5482		72	h6	65	238	71	85	2	1,5x45°	80	70	39	M16
-	115	-	Standard	83.5	190.5	82	H7	90	90	80 x 74 DIN 5482		82	h6	85	270	81	100	3	2x45°	100	90	39	M16
150	-	150	Standard	70	204	82	H7	90	90	80 x 74 DIN 5482		82	h6	85	270	81	100	3	2x45°	100	90	39	M16
-	125	-	Standard	74.3	227.8	92	H7	90	90	90 x 84 DIN 5482		92	h6	85	299	91	115	2	2x45°	100	90	39	M16
170	-	170	Standard	77	225	92	H7	90	90	90 x 84 DIN 5482		92	h6	85	299	91	115	2	2x45°	100	90	39	M16
-	135	-	Standard	85.5	254.5	102	H7	110	110	100 x 94 DIN 5482		102	h6	105	337	101	125	2	2x45°	120	110	39	M16
190	-	190	Standard	75	265	102	H7	110	110	100 x 94 DIN 5482		102	h6	105	337	101	125	2	2x45°	120	110	39	M16



E



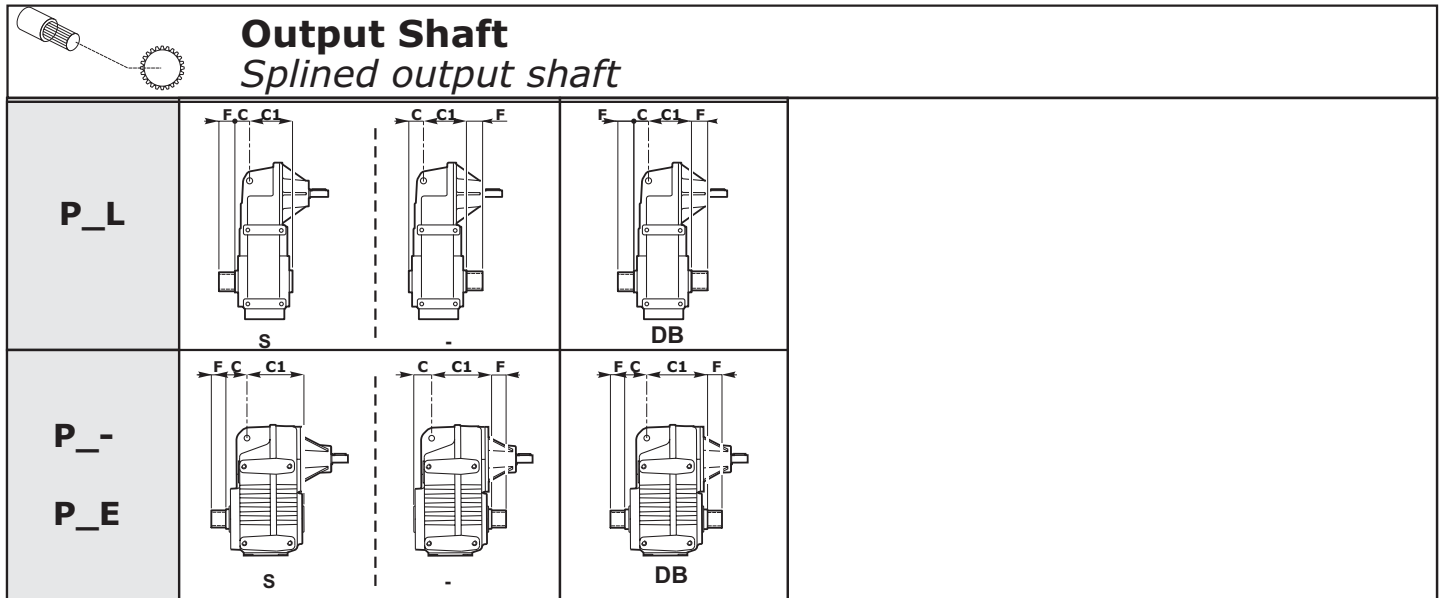
**Pagina bianca
Leerseite
Blank page**



Estremità albero lento scanalato senza flangia brocciata

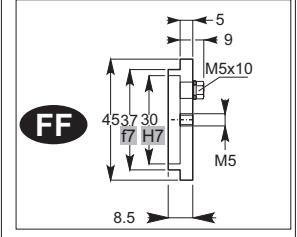
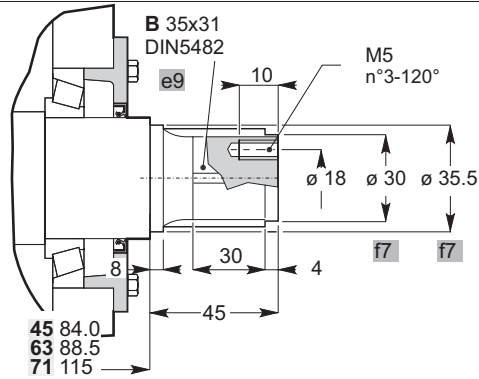
Splined output shaft without broached flange

Abtriebswelle mit Keilende ohne geräumtem Flansch

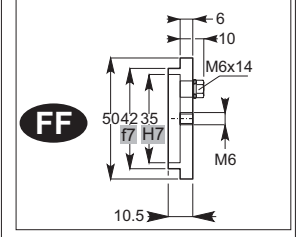
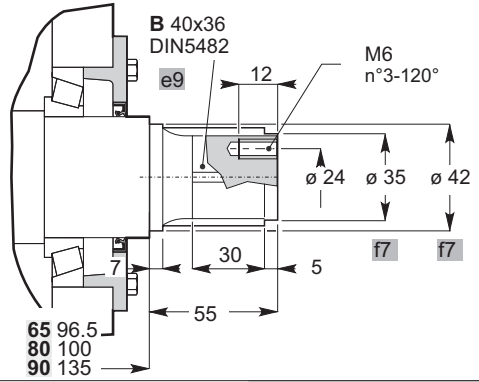


P_-	P_L	P_E		C	C1	de h 10	F	Profilo scanalato Splined profile Keilprofil					
								Sc	Z	mn	α	dc (f7)	Sp
-	45	-	Standard	46	84	Look Drawing	70	DIN 5482 35 x 31				Look Drawing	
63	-	-	Standard	31.5	88.5			35 x 31 DIN 5482					
71	-	-	Standard	35	115			35 x 31 DIN 5482					
-	65	-	Standard	33.5	96.5			DIN 5482 40 x 36					
80	-	-	Standard	30	100			40 X 36 DIN 5482					
90	-	-	Standard	45	135			40 X 36 DIN 5482					
-	85	-	Standard	42	113			DIN 5482 58 x 53					
100	-	-	Standard	42	113			58 X 53 DIN 5482					
112	-	-	Standard	50	160			58 X 53 DIN 5482					
-	95	-	Standard	52	128			DIN 5482 70 x 64					
125	-	125	Standard	44.5	135.5			70 X 64 DIN 5482					
-	105	-	Standard	85.5	156.5			69.3	70	FIAT 70	26		2.58
132	-	132	Standard	62	180	69.3	69	FIAT 70	26	2.58	30°	70	25
-	115	-	Standard	83.5	190.5	79.3	70	FIAT 80	27	2.82	30°	80	20
150	-	150	Standard	70	204	79.3	69	FIAT 80	27	2.82	30°	80	20
-	125	-	Standard	74.3	227.8	94.3	75	FIAT 95	31	2.97	30°	95	25
170	-	170	Standard	77	225	94.3	74	FIAT 95	31	2.97	30°	95	25
-	135	-	Standard	85.5	254.5	104.4	80	D. 105 DIN 5480	34	3	30°	106	25
190	-	190	Standard	75	265	104.4	79	D.105 DIN 5480	34	3	30°	106	25

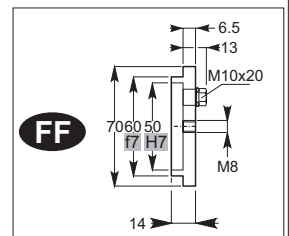
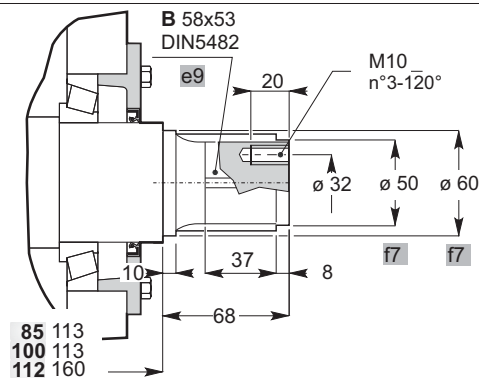
45-63-71



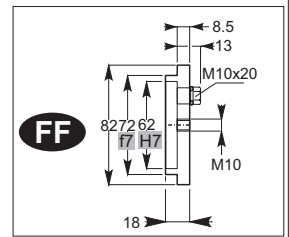
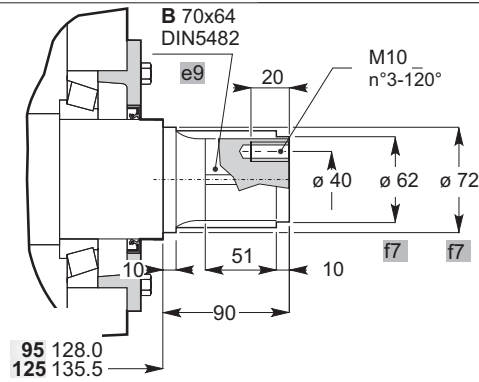
65-80-90



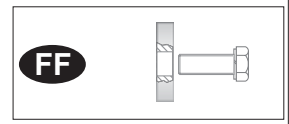
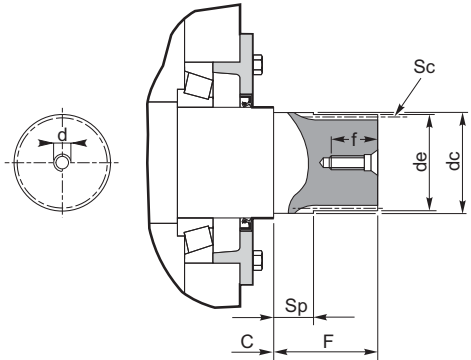
85-100-112



95-125



**132-150-170-190
105-115-125-135**

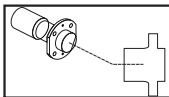




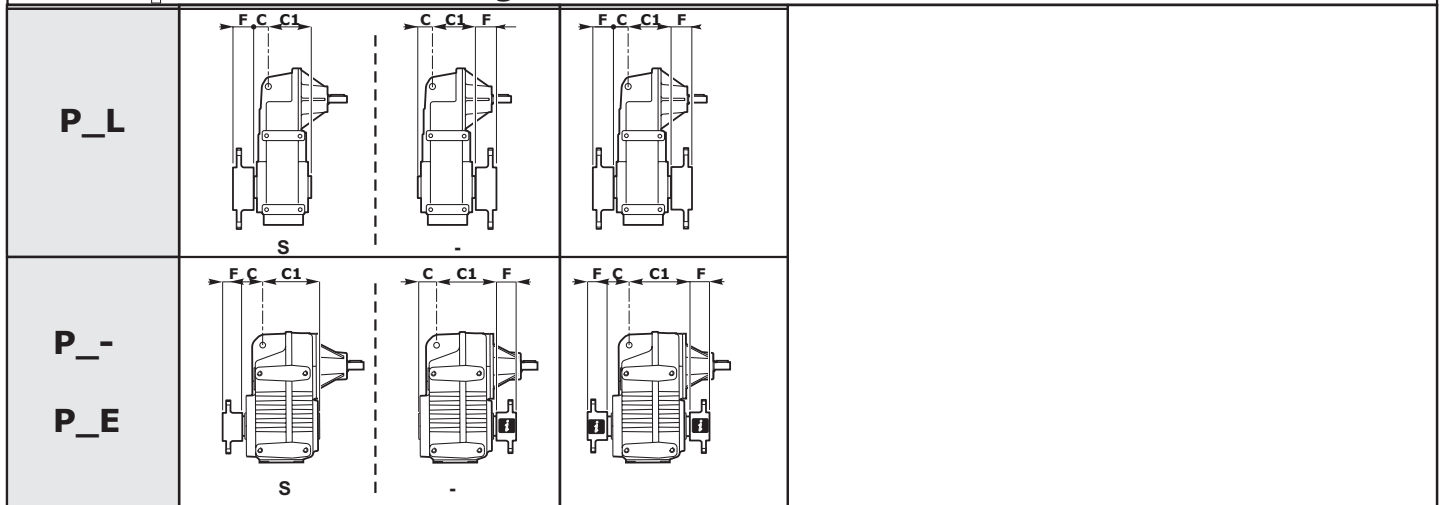
Estremità scanalata albero lento flangia
brocciata

Spined output shaft and broached
flange

Abtriebswelle mit Keilende und
geräumtem Flansch

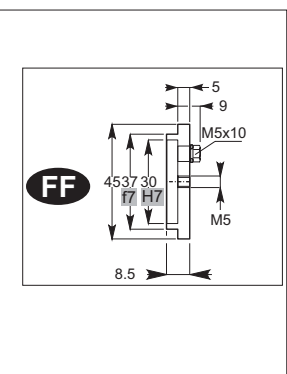
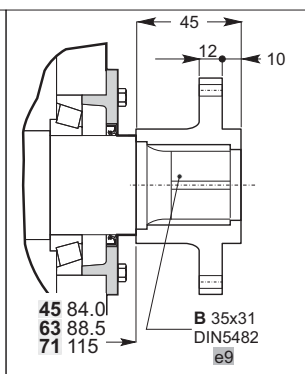
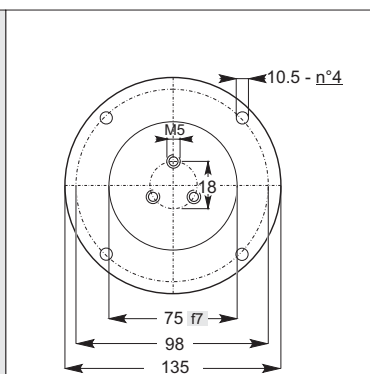


Output Shaft
Broached flange

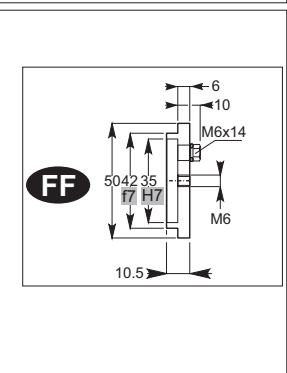
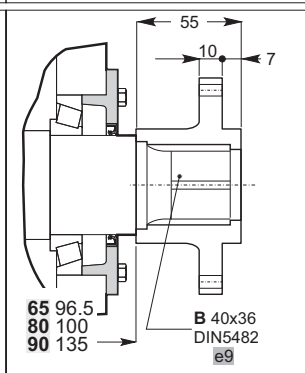
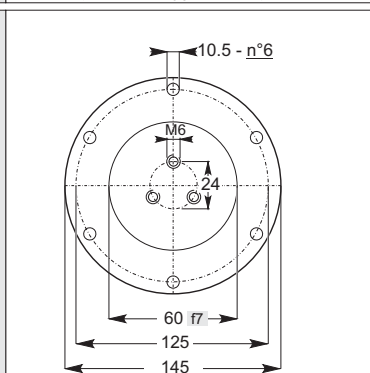


P_-	P_L	P_E		de	ØA	ØB	C	C1	Øce	ØCe TOLL.	N° Fori	ØD	E	F	G	H	I	N	N TOLL.	
-	45	-	Standard	Look Drawing			46	84												
63	-	-	Standard				31.5	88.5												
71	-	-	Standard				35	115												
-	65	-	Standard				33.5	96.5												
80	-	-	Standard				30	100												
90	-	-	Standard				45	135												
-	85	-	Standard				42	113												
100	-	-	Standard				42	113												
112	-	-	Standard				50	160												
-	95	-	Standard				52	128												
125	-	125	Standard				44.5	135.5												
-	105	-	Standard				69.3	200												
132	-	132	Standard	69.3	200	160	62	180	100	f8	4	17.5	M10	70	43	11	16	180	h9	
-	115	-	Standard	79.3	220	180	83.5	190.5	110	f8	4	19.5	M10	70	40	12	18	200	h9	
150	-	150	Standard	79.3	220	180	70	204	110	f8	4	19.5	M10	70	40	12	18	200	h9	
-	125	-	Standard	94.3	240	190	74.3	227.8	130	f8	8	19.5	M10	75	40	15	20	220	h9	
170	-	170	Standard	94.3	240	190	77	225	130	f8	8	19.5	M10	75	40	15	20	220	h9	
-	135	-	Standard	104.4	250	200	85.5	254.5	145	f8	8	21.5	M12	80	40	20	20	230	h9	
190	-	190	Standard	104.4	250	200	75	265	145	f8	8	21.5	M12	80	40	20	20	230	h9	

45-63-71



65-80-90



Estremità scanalata albero lento flangia
brocciata

Splined output shaft and broached
flange

Abtriebswelle mit Keilende und
geräumtem Flansch

<p>85-100-112</p>		
<p>95-125</p>		
<p>105-115 132-150</p>		
<p>125-135 170-190</p>		





1.9 OPT - ACC. - Accessori - Opzioni

1.9 OPT - ACC. - Accessories - Options

1.9 OPT - ACC. Zubehör - Optionen

AV

ANTIVIBRANTE VKL

RUBBER BUFFER VKL

GUMMIHÜLSE VKL

Per riduttori e motoriduttori pendolari.

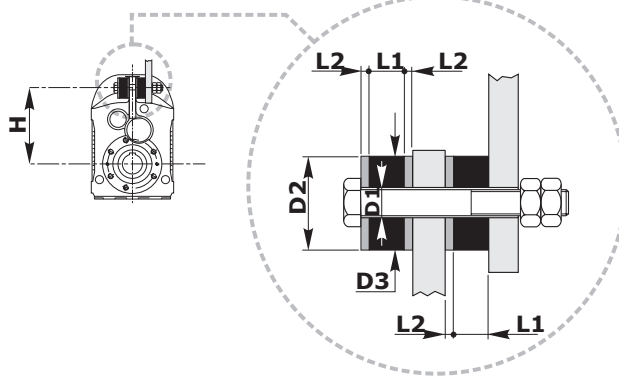
For shaft mounted gearboxes and geared motors.

Für aufsteckgetriebe und aufsteckgetriebe-motoren.



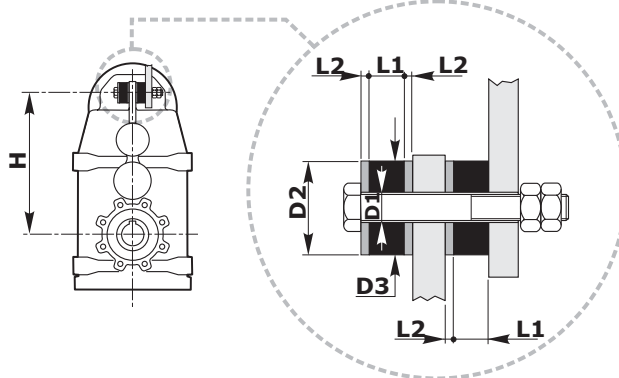
ACCESSORIES
RUBBER BUFFER VKL

63
71
80
90
100
112
125
132
150
170
190
AV



ACCESSORIES
RUBBER BUFFER VKL

25
45
65
85
95
105
115
125
135
AV



P_-	P_L	P_E		D1	D2	D3	L1	L2	H
-	25	-		12	25	25	16	4	145
-	45	-		12.5	40	40	16	4	175
63	-	-		12.5	40	40	16	4	152
71	-	-		12.5	40	40	16	4	165
-	65	-		12.5	25	25	16	4	225
80	-	-		12.5	25	25	16	4	198
90	-	-		12.5	40	40	16	4	200
-	85	-		12.5	40	40	16	4	260
100	-	-		12.5	40	40	16	4	245
112	-	-		21	60	60	22	8	255
-	95	-		12.5	40	40	16	4	325
125	-	125		21	60	60	22	8	310
-	105	-		22	60	60	22	8	375
132	-	132		21	60	60	22	8	330
-	115	-		22	60	60	22	8	450
150	-	150		25	70	70	25	10	395
-	125	-		25	70	70	25	10	550
170	-	170		25	70	70	25	10	455
-	135	-		32	90	90	32	12	595
190	-	190		32	90	90	32	12	485



1.9 OPT - ACC. - Accessori - Opzioni

1.9 OPT - ACC. - Accessories - Options

1.9 OPT-ACC.Zubehör - Optionen

AL

AL - ALBERO LENTO SPORGENTE

AL - SINGLE OUTPUT SHAFTS

AL - EINSEITIGE ABTRIEBSWELLEN

Tutti i riduttori sono forniti con albero lento cavo. A richiesta, possono essere forniti kit di montaggio per alberi sporgenti comprensivi di linguette, rondelle e viti di fissaggio. Le dimensioni delle linguette sono conformi alle norme UNI 6604-69.

All gearboxes are supplied with hollow output shaft. On request there are available also assembly kits including output shafts, keys, washers and assembly screws. The dimensions of the keys are conform with UNI 6604-69.

Alle Getriebe werden mit Abtriebshohlwelle geliefert. Auf Anfrage sind auch Montagekits inklusive Abtriebswellen, Paßfedern, Unterlegscheiben und Montageschrauben erhältlich. Die Abmessungen der Paßfedern sind konform mit der UNI 6604-69.

ACCESSORIES

Output shafts - AL

63
71
90
112
125
AL

ACCESSORIES

Output shafts - AL

25
45
65
85
95
AL

P_-	P_L	P_E	B	C	C1	D	coll. D	m2	L1	L2	Lm	X
-	25	-	10	44.5	60.5	20	g6	M 8	25	40	20	7
-	45	-	16	46	84	30	g6	M 10	50	60	25	5
63	-	-	1	31.5	88.5	30	g6	M10	50	60	25	5
71	-	-	1	35	115	35	g6	M10	60	70	25	5
-	65	-	15	33.5	96.5	35	g6	M 10	60	70	25	5
80	-	-	on request									
90	-	-	1	45	135	40	g6	M10	70	80	25	5
-	85	-	21	42	113	45	g6	M 10	80	90	25	5
100	-	-	on request									
112	-	-	1	50	160	50	g6	M12	90	100	32	5
-	95	-	26	52	128	55	g6	M 12	100	110	32	5
125	-	125	26	44.5	135.5	55	g6	M12	100	110	32	5

* ATTENZIONE
L'albero lento sporgente è fornito per essere installato sulla versione del riduttore con albero CAVO con diametro STANDARD.

*ATTENTION
The output shaft is available only for standard hollow shaft diameter.

Achtung:
Die Einseitige Abtriebswelle wird fuer die Montage bei Getrieben mit Standart Hohlwelle geliefert.



1.9 OPT - ACC. - Accessori - Opzioni

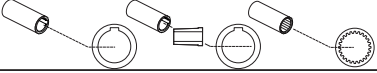



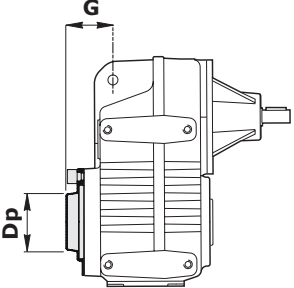
PROT_C - Coperchio di protezione

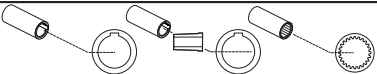



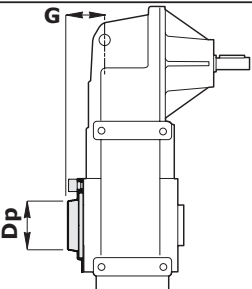
1.9 OPT - ACC. - Accessories - Options

PROT_C - Protection cover

1.9 OPT-ACC.Zubehör - Optionen

PROT_C - Schutzvorrichtungdeckel

ACCESSORIES <i>Protection cover</i> 	
   PROT_C	

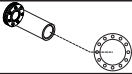

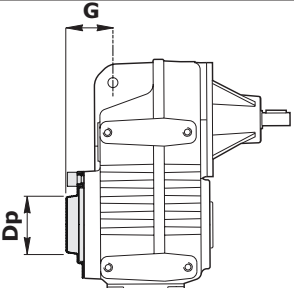
ACCESSORIES <i>Protection cover</i> 	
   PROT_C	

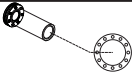

PROT

PROT_UB - Coperchio di protezione

PROT_UB - Protection cover

PROT_UB - Schutzvorrichtungdeckel

ACCESSORIES <i>Protection cover</i> 	
 PROT_UB	

ACCESSORIES <i>Protection cover</i> 	
 PROT_UB	