

## ROLLER LINEAR SYSTEM Sheet iron LAZ, LAX rails and PAZ, PAX sliders



### LAZ series rails

LAZ series rails and PAZ series sliders are dimensionally identical to the LAX and PAX Series but are much lower in cost because they are made of Zinc plated steel.

The LA series is a simple and functional solution for linear motion. The minimum space requirements, internal protected raceways, ease of assembly, and good load capacity makes this linear bearing system an excellent choice compared to other solutions available on the market.

### LAX series rails

LAX series rails and PAX series sliders are constructed entirely of stainless steel and are a simple and functional solution for applications that require high corrosion resistance.

The rails and sliders bodies are made from 300 Series stainless steel with rollers made from 440C.

These are particularly suitable for food processing, pharmaceutical, and medical applications or in difficult environments such as marine environments where there is exposure to highly corrosive agents.

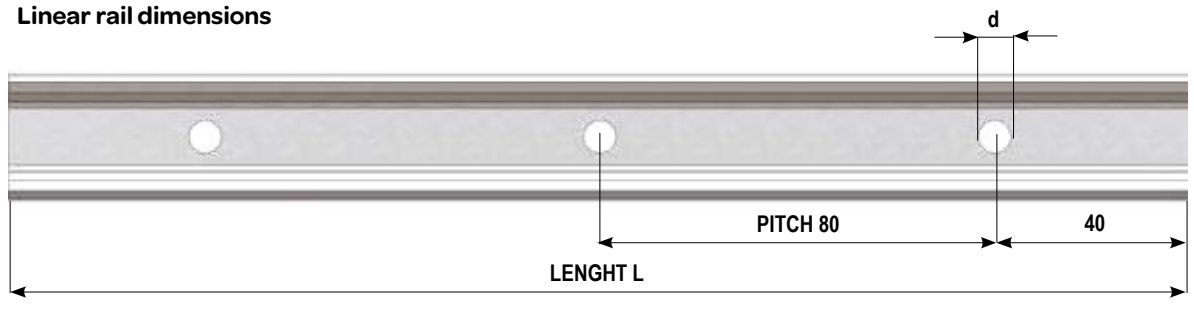
The slider is equipped with 3 rollers. The middle roller is eccentric and is used to adjust the slider preload.

### Length L (mm)

| LAZ 26<br>LAX 26 | LAZ 40<br>LAX 40 |
|------------------|------------------|
| 160              |                  |
| 240              |                  |
| 320              | 320              |
| 400              | 400              |
| 480              | 480              |
| 560              | 560              |
| 640              | 640              |
| 720              | 720              |
| 800              | 800              |
| 880              | 880              |
| 960              | 960              |
| 1040             | 1040             |
| 1120             | 1120             |
| 1200             | 1200             |
| 1280             | 1280             |
| 1360             | 1360             |
| 1440             | 1440             |
| 1520             | 1520             |
| 1600             | 1600             |
| 1680             | 1680             |
| 1760             | 1760             |
| 1840             | 1840             |
| 1920             | 1920             |
| 2000             | 2000             |
| 2080             | 2080             |
| 2160             | 2160             |
| 2240             | 2240             |
| 2320             | 2320             |
| 2400             | 2400             |
| 2480             | 2480             |
| 2560             | 2560             |
| 2640             | 2640             |
| 2720             | 2720             |
| 2800             | 2800             |
| 2880             | 2880             |
| 2960             | 2960             |
| 3040             | 3040             |
| 3120             | 3120             |
| 3200             | 3200             |
| 3280             | 3280             |
| 3360             | 3360             |
| 3440             | 3440             |
| 3520             | 3520             |
| 3600             | 3600             |
| 3680             | 3680             |
| 3760             | 3760             |
| 3840             | 3840             |
| 3920             | 3920             |
| 4000             | 4000             |

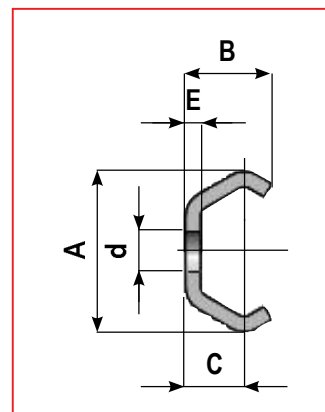
## LAZ and LAX sheet iron rails

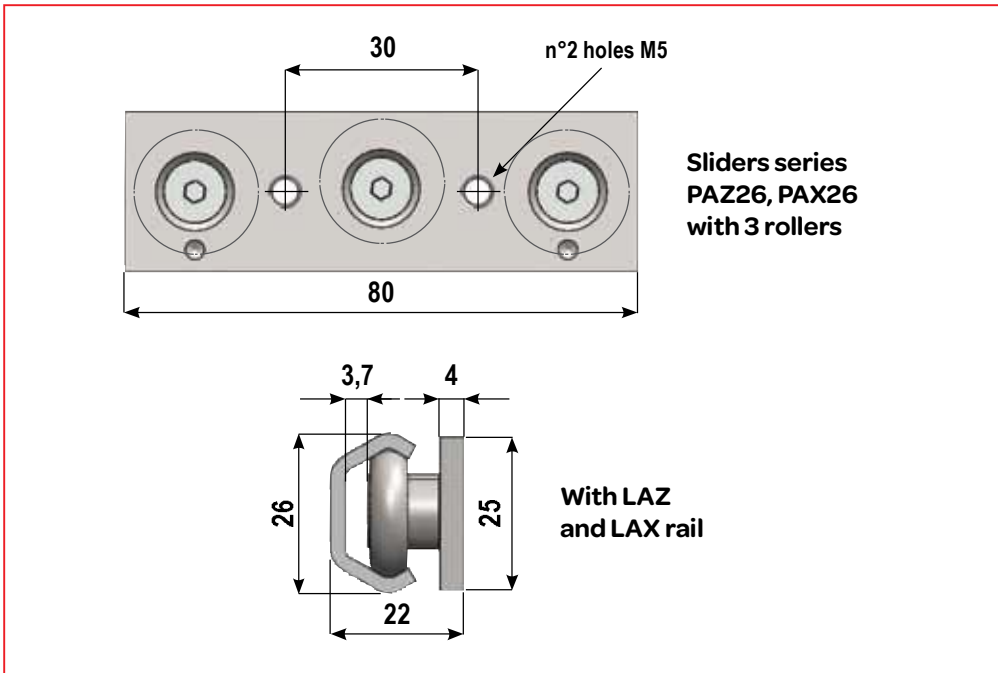
### Linear rail dimensions



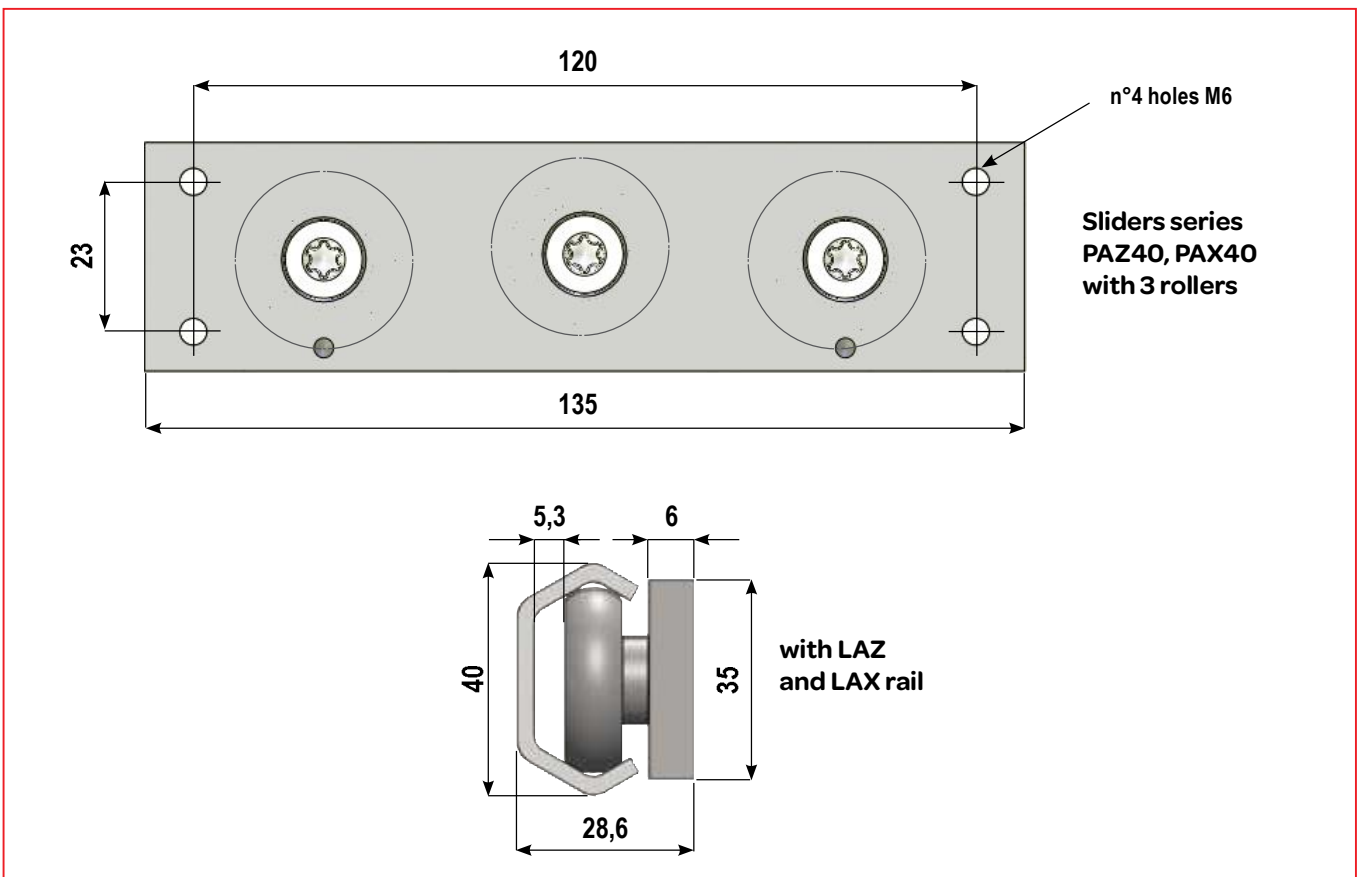
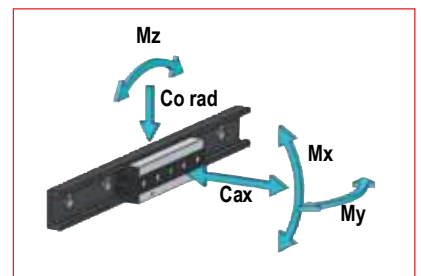
| Rail code | A (mm) | B (mm) | C (mm) | d (mm) | E (mm) | Fixing screws | Weight (kg) |
|-----------|--------|--------|--------|--------|--------|---------------|-------------|
| LAZ 26    | 26     | 14     | 9,5    | 6,5    | 2,5    | M5 - ISO 7380 | 0,67        |
| LAX 26    |        |        |        |        |        |               |             |
| LAZ 40    | 40     | 21,3   | 13,3   | 9      | 3      | M8 - ISO 7380 | 1,55        |
| LAX 40    |        |        |        |        |        |               |             |

Suitable fixing screws of type ISO 7380

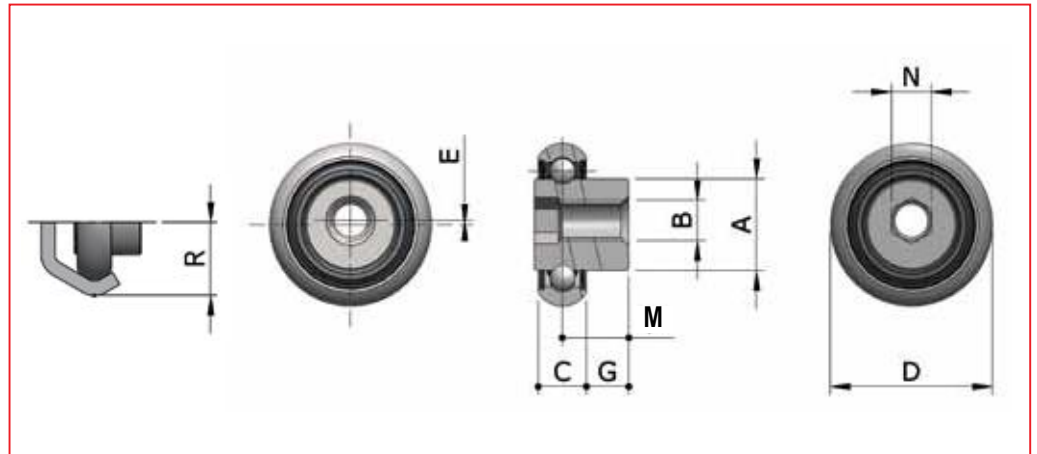




| Code           | Co rad (N) | Co ax (N) | Mx (Nm) | My (Nm) | Mz (Nm) | Weight (g) |
|----------------|------------|-----------|---------|---------|---------|------------|
| PAZ26<br>PAX26 | 800        | 400       | 3       | 9       | 12      | 100        |



| Code           | Co rad (N) | Co ax (N) | Mx (Nm) | My (Nm) | Mz (Nm) | Weight (g) |
|----------------|------------|-----------|---------|---------|---------|------------|
| PAZ40<br>PAX40 | 1600       | 800       | 9       | 23      | 32      | 430        |



The rollers series P.. Are also available in stainless steel INOX AISI440 hardened steel for corrosive ambients.

The INOX rollers comes with 2RS seals and lubricated for life with mineral oil for alimentary application or low temperature applications.

| Roller code | Type       | E (mm) | D (mm) | C (mm) | M (mm) | G (mm) | N Flat key  | A (mm) | B (mm) | R (mm) | For rail | Dynamic coeff. C (N) | Load capacity (N) |       | Weight (g) |
|-------------|------------|--------|--------|--------|--------|--------|-------------|--------|--------|--------|----------|----------------------|-------------------|-------|------------|
|             |            |        |        |        |        |        |             |        |        |        |          |                      | Co rad            | Co ax |            |
| PCZ26       | concentric | 0      | 20,3   | 6      | 8,5    | 5,5    | Allen key 3 | 11,2   | M5     | 13     | LAZ26    | 900                  | 400               | 148   | 10         |
| PEZ26       | eccentric  | 0,6    |        |        |        |        |             |        |        |        |          |                      |                   |       |            |
| PCX26       | concentric | 0      |        |        |        |        |             |        |        |        |          |                      |                   |       |            |
| PEX26       | eccentric  | 0,6    |        |        |        |        |             |        |        |        |          |                      |                   |       |            |
| PCZ40       | concentric | 0      | 32     | 10     | 9,65   | 4,65   | Allen key 5 | 15,0   | M6     | 19,6   | LAZ40    | 1800                 | 800               | 296   | 40         |
| PEZ40       | eccentric  | 0,8    |        |        |        |        |             |        |        |        |          |                      |                   |       |            |
| PCX40       | concentric | 0      |        |        |        |        |             |        |        |        |          |                      |                   |       |            |
| PEX40       | eccentric  | 0,8    |        |        |        |        |             |        |        |        |          |                      |                   |       |            |