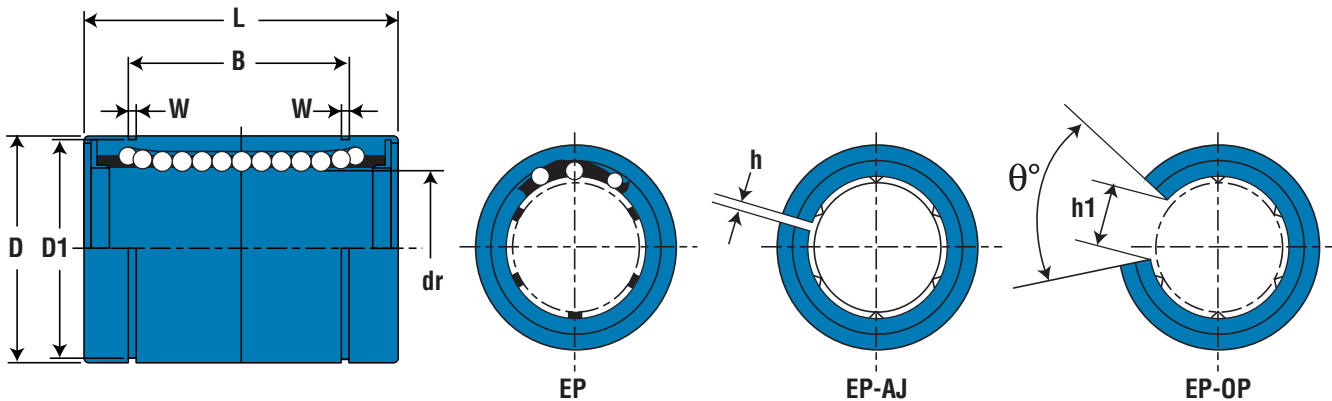




Simplicity® Ball Bearings

Linear Ball Bearings - ISO Metric

Linear Motion Systems



Ball Bearings

EP SERIES - DIMENSIONAL INFORMATION

NOMINAL SHAFT DIAMETER (mm)	PART NUMBER					MAJOR DIMENSIONS & TOLERANCES					
	STANDARD CLOSE POLYMER CAGE	BALL CIRCUIT	WEIGHT (g)	STANDARD OPEN POLYMER CAGE	ADJUSTABLE POLYMER CAGE	dr (mm)	TOLERANCE (µm)	D (mm)	TOLERANCE (µm)	L (mm)	TOLERANCE (mm)
5	EP5G	4	11	-	-	5	+8 0	12	0 -8	22	0 -0.2
8	EP8G		20	-	-	8		16		25	
10	EP10G		36	-	-	10		19		29	
12	EP12G		45	EP12G-OP	EP12G-AJ	12		22		32	
16	EP16G	5	60	EP16G-OP	EP16G-AJ	16	+9 -1	26	0 -9	36	0 -0.3
20	EP20G		102	EP20G-OP	EP20G-AJ	20		32		45	
25	EP25G	6	235	EP25G-OP	EP25G-AJ	25	+11 -1	40	0 -11	58	0 -0.3
30	EP30G		360	EP30G-OP	EP30G-AJ	30		47		68	
40	EP40G		770	EP40G-OP	EP40G-AJ	40	+13 -2	62	0 -13	80	
50	EP50G		1,250	EP50G-OP	EP50G-AJ	50		75		100	
60	EP60G		2,220	EP60G-OP	EP60G-AJ	60		90		125	

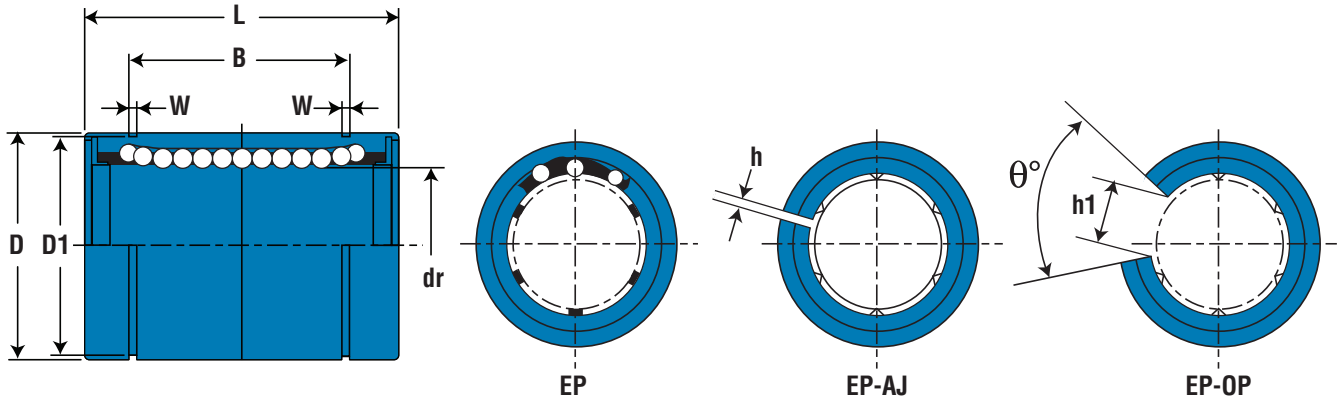
The data and specifications in this publication have been carefully compiled and are believed to be accurate and correct. However, it is the responsibility of the user to determine and ensure the suitability of Pacific Bearing® products for a specific application. Pacific Bearing's only obligation will be to repair or replace without charge, any defective components if returned promptly. No liability is assumed beyond such replacement. *Consult www.pacific-bearing.com for the latest technical updates.



Simplicity® Ball Bearings

Linear Ball Bearings - ISO Metric

Linear Motion Systems



EP SERIES - DIMENSIONAL INFORMATION (cont.)

(Standard Steel Finish)

MAJOR DIMENSIONS & TOLERANCES										LOAD RATING					
B (mm)	TOLERANCE (mm)	W (mm)	TOLERANCE (mm)	D1 (mm)	TOLERANCE (mm)	h (mm)	h1 (mm)	θ°	ECCENTRICITY (μm)	MAX RADIAL CLEARANCE (μm)	DYNAMIC C (N)	STATIC Co (N)	NOMINAL SHAFT DIAMETER (mm)		
14.5	0 -0.3	1.1	+14 0	11.5	0 -11	1	-	-	12	-5	206	265	5		
16.5		1.1		15.2			-	-			265	402	8		
22		1.3		18			-	-			372	549	10		
22.9		1.3		21	0 -13	1.5	7.5	80			-7	510	784	12	
24.9		1.3		24.9	0 -21		10					774	1,180	16	
31.5	0 -0.4	1.6		30.3	0 -21	2	10	60	15	-9	882	1,370	20		
44.1		1.85		37.5	0 -25		12.5				980	1,570	25		
52.1		1.85		44.5	0 -25	12.5	1,570	2,740			30				
60.6		2.15		59	0 -30	3	16.8	50			17	-13	2,160	4,020	40
77.6		2.65		72	0 -30		21						3,820	7,940	50
101.7	3.15	86.5	0 -35	27.2	54		20		-16	4,700			10,000	60	

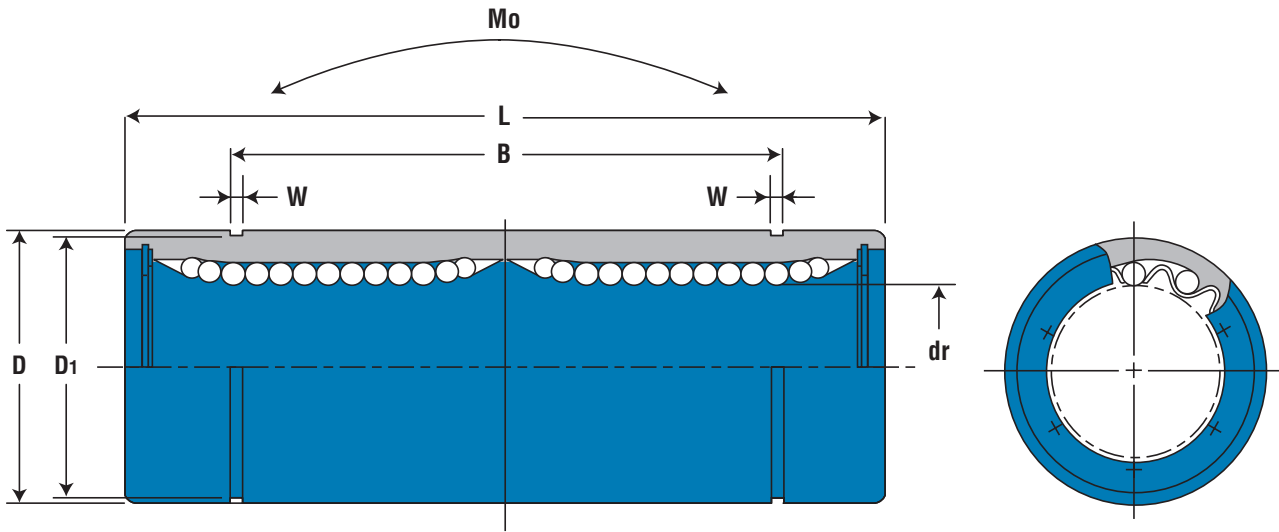
The data and specifications in this publication have been carefully compiled and are believed to be accurate and correct. However, it is the responsibility of the user to determine and ensure the suitability of Pacific Bearing® products for a specific application. Pacific Bearing's only obligation will be to repair or replace without charge, any defective components if returned promptly. No liability is assumed beyond such replacement. *Consult www.pacific-bearing.com for the latest technical updates.



Simplicity® Ball Bearings

Double Wide Linear Ball Bearings - ISO Metric

Linear Motion Systems



EP-W SERIES - DIMENSIONAL INFORMATION

NOMINAL SHAFT DIAMETER (mm)	PART NUMBER	MAJOR DIMENSIONS & TOLERANCES							
		BALL CIRCUIT	WEIGHT (g)	dr (mm)	TOLERANCE (µm)	D (mm)	TOLERANCE (µm)	L (mm)	TOLERANCE (mm)
8	EP8GW	4	40	8	+9 -1	16	0 -9	45	0 -0.3
12	EP12GW		80	12		22		57	
16	EP16GW	5	115	16	+11 -1	26	68		
20	EP20GW		180	20		32	80		
25	EP25GW	6	430	25	+13 -2	40	0 -13	112	0 -0.4
30	EP30GW		615	30		47		123	
40	EP40GW	6	1,400	40	+16 -4	62	0 -15	151	
50	EP50GW		2,320	50		75		192	
60	EP60GW		3,920	60		90	0 -20		

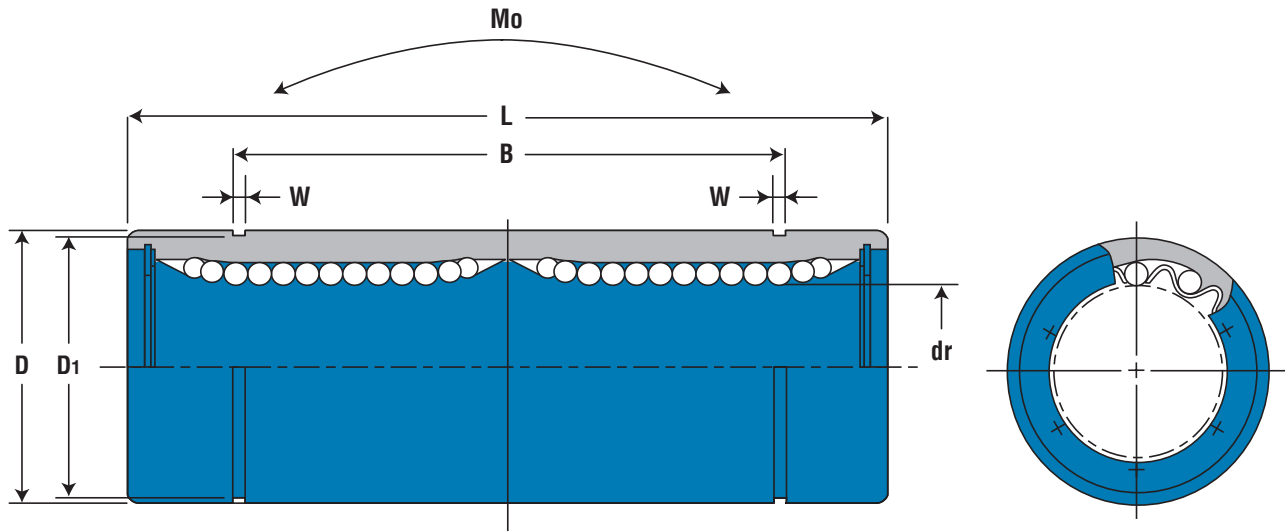
The data and specifications in this publication have been carefully compiled and are believed to be accurate and correct. However, it is the responsibility of the user to determine and ensure the suitability of Pacific Bearing® products for a specific application. Pacific Bearing's only obligation will be to repair or replace without charge, any defective components if returned promptly. No liability is assumed beyond such replacement. *Consult www.pacific-bearing.com for the latest technical updates.



Simplicity® Ball Bearings

Double Wide Linear Ball Bearings - ISO Metric

Linear Motion Systems



EP-W SERIES - DIMENSIONAL INFORMATION (cont.)

(Standard Steel Finish)

MAJOR DIMENSIONS & TOLERANCES							LOAD RATING			
B (mm)	TOLERANCE (mm)	W (mm)	TOLERANCE (mm)	D1 (mm)	TOLERANCE (mm)	ECCENTRICITY (µm)	DYNAMIC C (N)	STATIC Co (N)	ALLOWABLE STATIC MOMENT Mo (N-m)	NOMINAL SHAFT DIAMETER (mm)
33	0 -0.3	1.1	+0.14 0	15.2	0 -0.11	15	421	804	4.3	8
45.8		1.3		21	0 -0.13		813	1,570	11.7	12
49.8		1.3		24.9	0 -0.21		921	1,780	14.2	16
61		1.6		30.3	0 -0.25	1,370	2,740	25	20	
82	0 -0.4	1.85		37.5	0 -0.25	1,570	3,140	44	25	
104.2		1.85		44.5	0 -0.30	2,500	5,490	78.9	30	
121.2		2.15		59	0 -0.35	3,430	8,040	147	40	
155.2		2.65		72	0 -0.35	6,080	15,900	396	50	
170		3.15		86.5	0 -0.35	7,550	20,000	487	60	

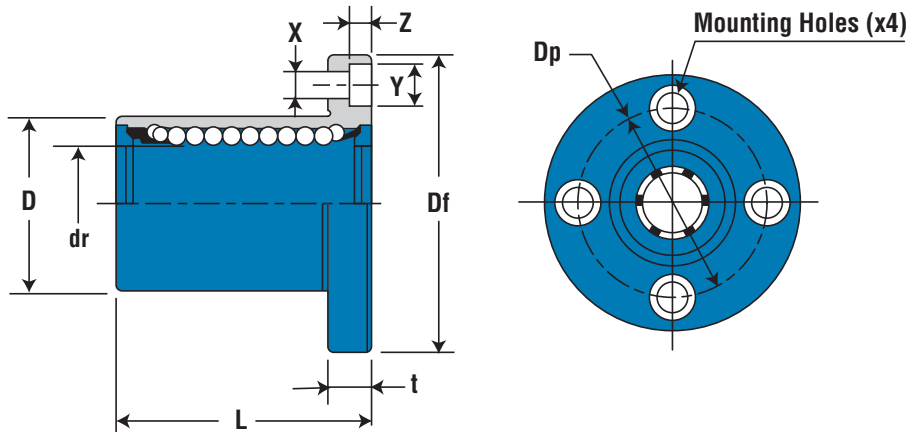
The data and specifications in this publication have been carefully compiled and are believed to be accurate and correct. However, it is the responsibility of the user to determine and ensure the suitability of Pacific Bearing® products for a specific application. Pacific Bearing's only obligation will be to repair or replace without charge, any defective components if returned promptly. No liability is assumed beyond such replacement. *Consult www.pacific-bearing.com for the latest technical updates.



Simplicity® Ball Bearings

Round Flange Mount - ISO Metric

Linear Motion Systems



EPF SERIES - DIMENSIONAL INFORMATION

NOMINAL SHAFT DIAMETER (mm)	PART NUMBER	MAJOR DIMENSIONS & TOLERANCES							
		BALL CIRCUIT	WEIGHT (g)	dr (mm)	TOLERANCE (µm)	D (mm)	TOLERANCE (µm)	L (mm)	TOLERANCE (mm)
8	EPF8G	4	41	8	+8 0	16	0 -13	25	± 0.3
12	EPF12G		80	12		22		0 -16	
16	EPF16G	5	103	16	+9 -1	26	36		
20	EPF20G		182	20		32	45		
25	EPF25G	6	335	25	+11 -1	40	0 -19	58	
30	EPF30G		560	30		47		68	
40	EPF40G	6	1,175	40	+13 -2	62	0 -22	80	
50	EPF50G		1,745	50		75		100	
60	EPF60G		3,220	60		90		125	

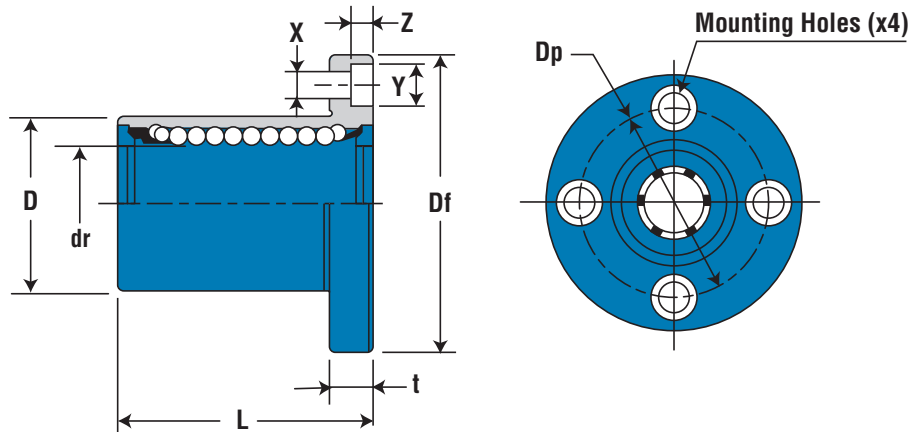
The data and specifications in this publication have been carefully compiled and are believed to be accurate and correct. However, it is the responsibility of the user to determine and ensure the suitability of Pacific Bearing® products for a specific application. Pacific Bearing's only obligation will be to repair or replace without charge, any defective components if returned promptly. No liability is assumed beyond such replacement. *Consult www.pacific-bearing.com for the latest technical updates.



Simplicity® Ball Bearings

Round Flange Mount - ISO Metric

Linear Motion Systems



EPF SERIES - DIMENSIONAL INFORMATION (cont.)

(Standard Steel Finish)

MAJOR DIMENSIONS & TOLERANCES						LOAD RATING		NOMINAL SHAFT DIAMETER (mm)
Df (mm)	t (mm)	Dp (mm)	X x Y x Z (mm)	ECCENTRICITY ID to OD (inch/ μ m)	PERPENDICULARITY FLANGE FACE to ID (inch/ μ m)	DYNAMIC C (N)	STATIC Co (N)	
32	5	24	3.5 x 6.0 x 3.1	12	12	265	402	8
42	6	32	4.5 x 8.0 x 4.1			510	784	12
46		36	4.5 x 8.0 x 4.1			578	892	16
54	8	43	5.5 x 9.3 x 5.1	15	15	862	1,370	20
62		51	5.5 x 9.3 x 5.1			980	1,570	25
76	10	62	6.6 x 11.0 x 6.1			1,570	2,740	30
98	13	80	9.0 x 14.0 x 8.1	17	17	2,160	4,020	40
112		94	9.0 x 14.0 x 8.1			3,820	7,940	50
134	18	112	11.0 x 17.5 x 11.1	20	20	4,700	9,800	60

Flange Mount

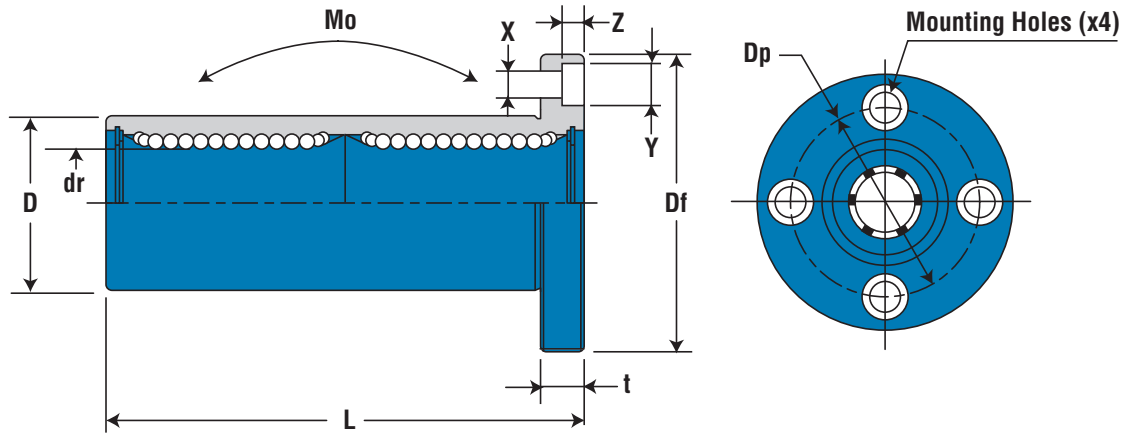
The data and specifications in this publication have been carefully compiled and are believed to be accurate and correct. However, it is the responsibility of the user to determine and ensure the suitability of Pacific Bearing® products for a specific application. Pacific Bearing's only obligation will be to repair or replace without charge, any defective components if returned promptly. No liability is assumed beyond such replacement. *Consult www.pacific-bearing.com for the latest technical updates.



Simplicity® Ball Bearings

Round Flange Mount Double Wide - ISO Metric

Linear Motion Systems



EPF-W SERIES - DIMENSIONAL INFORMATION

NOMINAL SHAFT DIAMETER (mm)	PART NUMBER	MAJOR DIMENSIONS & TOLERANCES							
		BALL CIRCUIT	WEIGHT (g)	dr (mm)	TOLERANCE (µm)	D (mm)	TOLERANCE (µm)	L (mm)	TOLERANCE (mm)
8	EPF8GW	4	59	8	+9 -1	16	0 -13	45	± 0.3
12	EPF12GW		110	12		22		0 -16	
16	EPF16GW	5	160	16	+11 -1	26	68		
20	EPF20GW		260	20		32	80		
25	EPF25GW	6	540	25	+13 -2	40	0 -19	112	
30	EPF30GW		815	30		47		123	
40	EPF40GW	6	1,805	40	+16 -4	62	0 -22	151	
50	EPF50GW		2,820	50		75		192	
60	EPF60GW		4,920	60		90		0 -25	

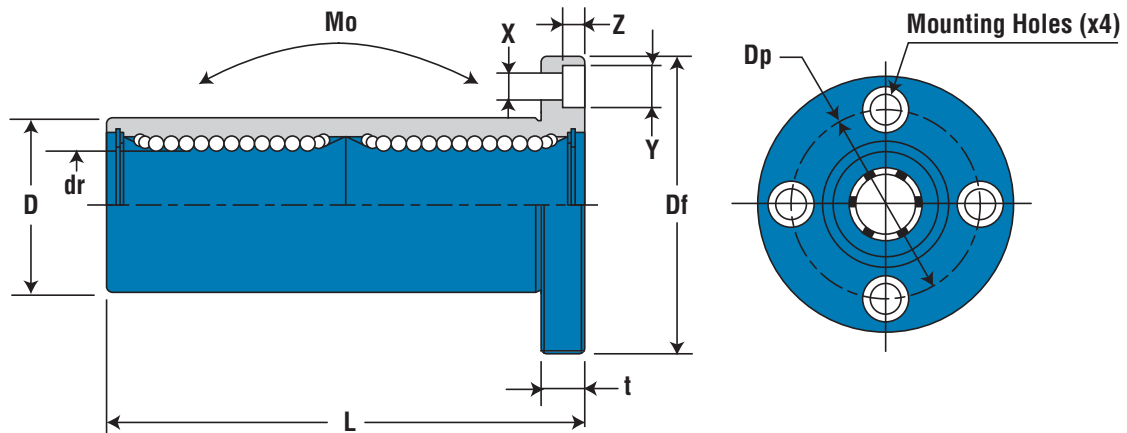
The data and specifications in this publication have been carefully compiled and are believed to be accurate and correct. However, it is the responsibility of the user to determine and ensure the suitability of Pacific Bearing® products for a specific application. Pacific Bearing's only obligation will be to repair or replace without charge, any defective components if returned promptly. No liability is assumed beyond such replacement. *Consult www.pacific-bearing.com for the latest technical updates.



Simplicity® Ball Bearings

Round Flange Mount Double Wide - ISO Metric

Linear Motion Systems



EPF-W SERIES - DIMENSIONAL INFORMATION (cont.)

(Standard Steel Finish)

MAJOR DIMENSIONS & TOLERANCES						LOAD RATING			
Df (mm)	t (mm)	Dp (mm)	X x Y x Z (mm)	ECCENTRICITY ID to OD (inch/ μ m)	PERPENDICULARITY FLANGE FACE to ID (inch/ μ m)	DYNAMIC C (N)	STATIC Co (N)	ALLOWABLE STATIC MOMENT Mo (N-m)	NOMINAL SHAFT DIAMETER (mm)
32	5	24	3.5 x 6.5 x 3.1	15	15	421	804	4.3	8
42	6	32	4.5 x 8.0 x 4.1			813	1,570	11.7	12
46		36	4.5 x 8.0 x 4.1			921	1,780	14.2	16
54	8	43	5.5 x 9.3 x 5.1	17	17	1,370	2,740	25	20
62		51	5.5 x 9.3 x 5.1			1,570	3,140	44	25
76	10	62	6.6 x 11.0 x 6.1			2,500	5,490	78.9	30
98	13	80	9.0 x 14.0 x 8.1	20	20	3,430	8,040	147	40
112		94	9.0 x 14.0 x 8.1			6,080	15,900	396	50
134	18	112	11.0 x 17.5 x 11.1	25	25	7,550	20,000	487	60

Flange Mount

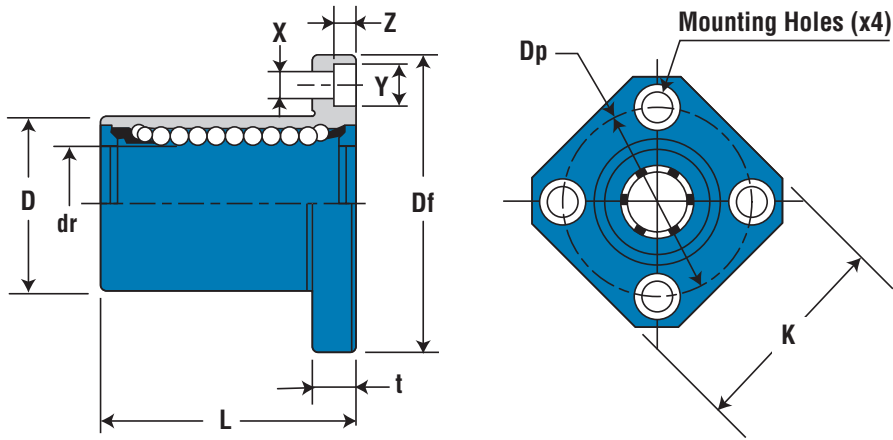
The data and specifications in this publication have been carefully compiled and are believed to be accurate and correct. However, it is the responsibility of the user to determine and ensure the suitability of Pacific Bearing® products for a specific application. Pacific Bearing's only obligation will be to repair or replace without charge, any defective components if returned promptly. No liability is assumed beyond such replacement. *Consult www.pacific-bearing.com for the latest technical updates.



Simplicity® Ball Bearings

Square Flange Mount - ISO Metric

Linear Motion Systems



EPK SERIES - DIMENSIONAL INFORMATION

NOMINAL SHAFT DIAMETER (mm)	PART NUMBER	MAJOR DIMENSIONS & TOLERANCES							
		BALL CIRCUIT	WEIGHT (g)	dr (mm)	TOLERANCE (µm)	D (mm)	TOLERANCE (µm)	L (mm)	TOLERANCE (mm)
8	EPK8G	4	41	8	+8 0	16	0 -13	25	± 0.3
12	EPK12G		80	12		22		0 -16	
16	EPK16G	5	103	16	+9 -1	26	36		
20	EPK20G		182	20		32	45		
25	EPK25G	6	335	25	+11 -1	40	0 -19	58	
30	EPK30G		560	30		47		68	
40	EPK40G	6	1,175	40	+13 -2	62	0 -22	80	
50	EPK50G		1,745	50		75		100	
60	EPK60G		3,220	60		90		125	

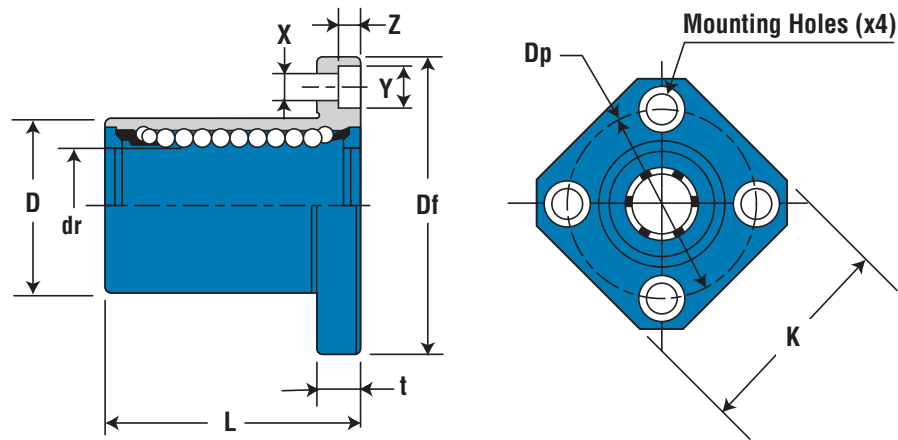
The data and specifications in this publication have been carefully compiled and are believed to be accurate and correct. However, it is the responsibility of the user to determine and ensure the suitability of Pacific Bearing® products for a specific application. Pacific Bearing's only obligation will be to repair or replace without charge, any defective components if returned promptly. No liability is assumed beyond such replacement. *Consult www.pacific-bearing.com for the latest technical updates.



Simplicity® Ball Bearings

Square Flange Mount - ISO Metric

Linear Motion Systems



EPK SERIES - DIMENSIONAL INFORMATION (cont.)

(Standard Steel Finish)

MAJOR DIMENSIONS & TOLERANCES							LOAD RATING		
Df (mm)	K (mm)	t (mm)	Dp (mm)	X x Y x Z (mm)	ECCENTRICITY ID to OD (inch/ μ m)	PERPENDICULARITY FLANGE FACE to ID (inch/ μ m)	DYNAMIC C (N)	STATIC Co (N)	NOMINAL SHAFT DIAMETER (mm)
32	25	5	24	3.5 x 6.5 x 3.1	12	12	265	402	8
42	32	6	32	4.5 x 8.0 x 4.1			510	784	12
46	35		36	4.5 x 8.0 x 4.1			578	892	16
54	42	8	43	5.5 x 9.3 x 5.1	15	15	862	1,370	20
62	50		51	5.5 x 9.3 x 5.1			980	1,570	25
76	60	10	62	6.6 x 11.0 x 6.1			1,570	2,740	30
98	75	13	80	9.0 x 14.0 x 8.1	17	17	2,160	4,020	40
112	88		94	9.0 x 14.0 x 8.1			3,820	7,940	50
134	106	18	112	11.0 x 17.5 x 11.1	20	20	4,700	9,800	60

Flange Mount

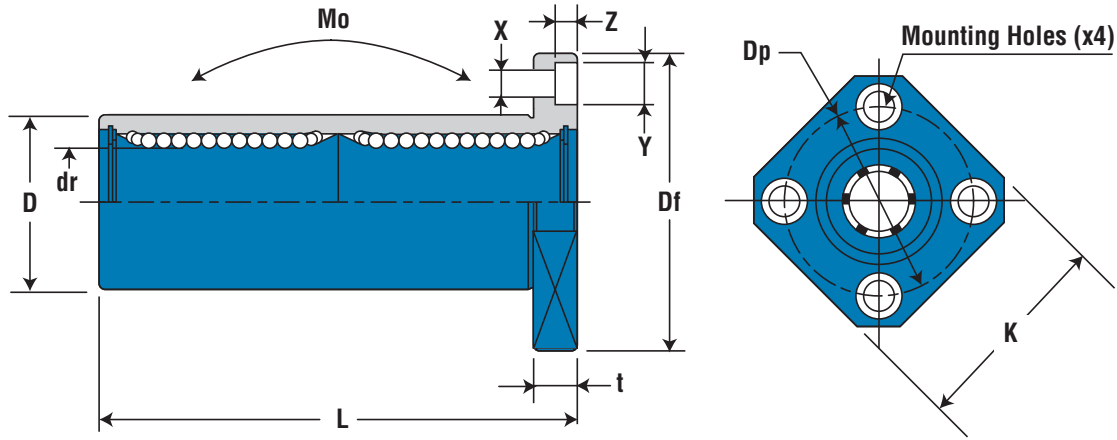
The data and specifications in this publication have been carefully compiled and are believed to be accurate and correct. However, it is the responsibility of the user to determine and ensure the suitability of Pacific Bearing® products for a specific application. Pacific Bearing's only obligation will be to repair or replace without charge, any defective components if returned promptly. No liability is assumed beyond such replacement. *Consult www.pacific-bearing.com for the latest technical updates.



Simplicity® Ball Bearings

Square Flange Mount Double Wide - ISO Metric

Linear Motion Systems



EPK-W SERIES - DIMENSIONAL INFORMATION

NOMINAL SHAFT DIAMETER (mm)	PART NUMBER	MAJOR DIMENSIONS & TOLERANCES							
		BALL CIRCUIT	WEIGHT (g)	dr (mm)	TOLERANCE (µm)	D (mm)	TOLERANCE (µm)	L (mm)	TOLERANCE (mm)
8	EPK8GW	4	51	8	+9 -1	16	0 -13	45	± 0.3
12	EPK12GW		90	12		22		0 -16	
16	EPK16GW	5	135	16	+11 -1	26	68		
20	EPK20GW		225	20		32	0 -19	80	
25	EPK25GW	6	500	25	+13 -2	40		112	
30	EPK30GW		720	30		47	0 -22	123	
40	EPK40GW	1,600	40	+16 -4	62	151			
50	EPK50GW	2,620	50		75	0 -25	192		
60	EPK60GW	4,480	60		90		209		

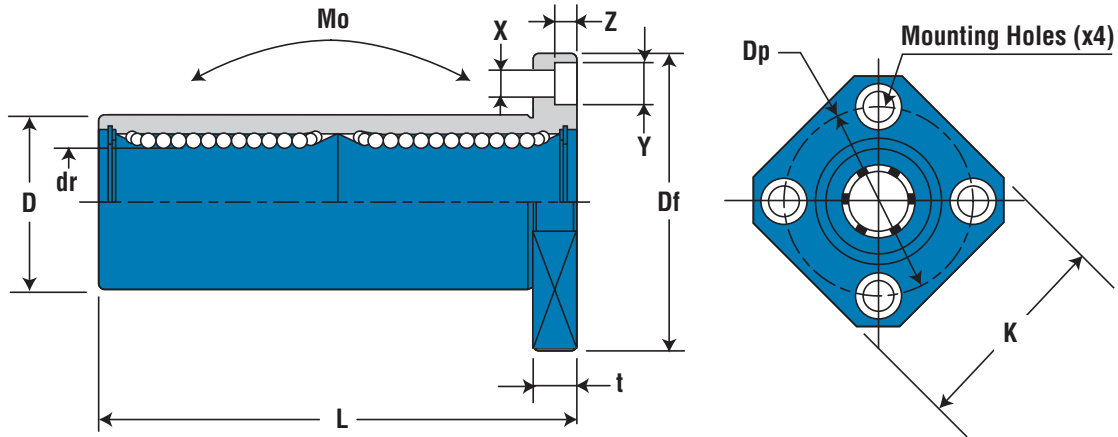
The data and specifications in this publication have been carefully compiled and are believed to be accurate and correct. However, it is the responsibility of the user to determine and ensure the suitability of Pacific Bearing® products for a specific application. Pacific Bearing's only obligation will be to repair or replace without charge, any defective components if returned promptly. No liability is assumed beyond such replacement. *Consult www.pacific-bearing.com for the latest technical updates.



Simplicity® Ball Bearings

Square Flange Mount Double Wide - ISO Metric

Linear Motion Systems



EPK-W SERIES - DIMENSIONAL INFORMATION (cont.)

(Standard Steel Finish)

MAJOR DIMENSIONS & TOLERANCES							LOAD RATING			
Df (mm)	K (mm)	t (mm)	Dp (mm)	X x Y x Z (mm)	ECCENTRICITY ID to OD (inch/ μ m)	PERPENDICULARITY FLANGE FACE to ID (inch/ μ m)	DYNAMIC C (N)	STATIC Co (N)	ALLOWABLE STATIC MOMENT Mo (N-m)	NOMINAL SHAFT DIAMETER (mm)
32	25	5	24	3.5 x 6.5 x 3.1	15	15	421	804	4.3	8
42	32	6	32	4.5 x 8.0 x 4.1			813	1,570	11.7	12
46	35		36	4.5 x 8.0 x 4.1			921	1,780	14.2	16
54	42	8	43	5.5 x 9.3 x 5.1	17	17	1,370	2,740	25	20
62	50		51	5.5 x 9.3 x 5.1			1,570	3,140	44	25
76	60	10	62	6.6 x 11.0 x 6.1			2,500	5,490	78.9	30
98	75	13	80	9.0 x 14.0 x 8.1	20	20	3,430	8,040	147	40
112	88		94	9.0 x 14.0 x 8.1			6,080	15,900	396	50
134	106	18	112	11.0 x 17.5 x 11.1	25	25	7,550	20,000	487	60

Flange Mount

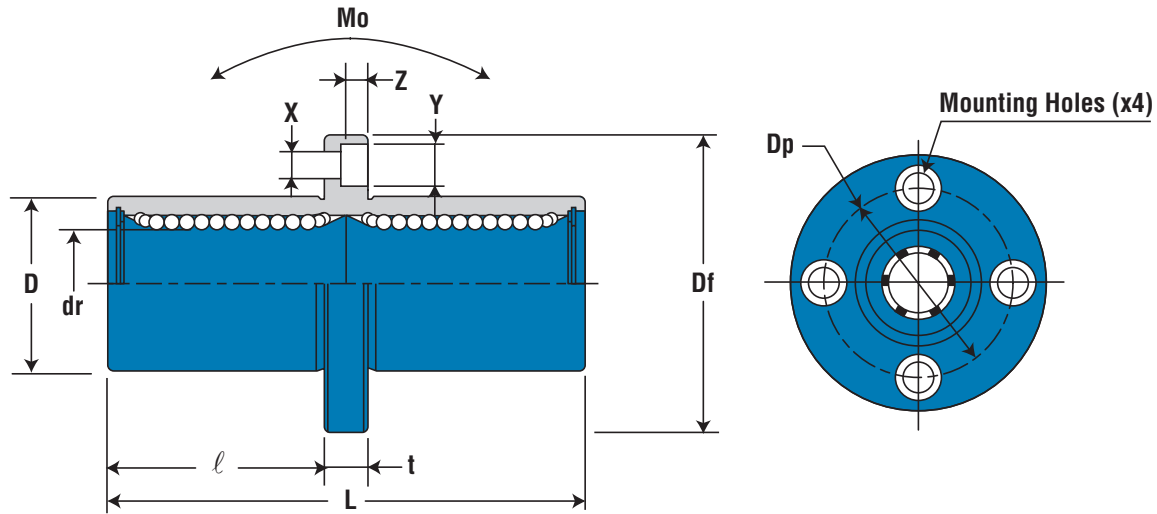
The data and specifications in this publication have been carefully compiled and are believed to be accurate and correct. However, it is the responsibility of the user to determine and ensure the suitability of Pacific Bearing® products for a specific application. Pacific Bearing's only obligation will be to repair or replace without charge, any defective components if returned promptly. No liability is assumed beyond such replacement. *Consult www.pacific-bearing.com for the latest technical updates.



Simplicity® Ball Bearings

Round Flange Center Mount - ISO Metric

Linear Motion Systems



EPFC SERIES - DIMENSIONAL INFORMATION

NOMINAL SHAFT DIAMETER (mm)	PART NUMBER	MAJOR DIMENSIONS & TOLERANCES								
		BALL CIRCUIT	WEIGHT (g)	dr (mm)	TOLERANCE (µm)	D (mm)	TOLERANCE (µm)	L (mm)	TOLERANCE (mm)	ℓ (mm)
8	EPFC8G	4	59	8	+9 -1	16	0 -13	45	± 0.3	20
12	EPFC12G		110	12		22		0 -16		57
16	EPFC16G	5	160	16	+11 -1	26	68			31
20	EPFC20G		260	20		32	80	36		
25	EPFC25G	6	540	25	+13 -2	40	0 -19	112		52
30	EPFC30G		815	30		47		123		56.5
40	EPFC40G	6	1,805	40	+16 -4	62	0 -22	151		69
50	EPFC50G		2,820	50		75		192		89.5
60	EPFC60G		4,920	60		90		0 -25		209

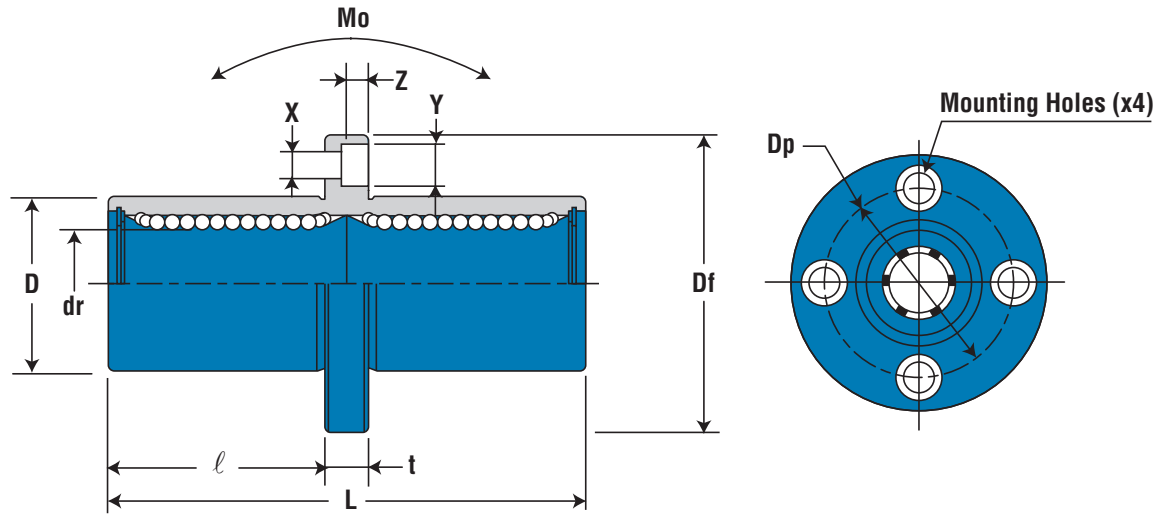
The data and specifications in this publication have been carefully compiled and are believed to be accurate and correct. However, it is the responsibility of the user to determine and ensure the suitability of Pacific Bearing® products for a specific application. Pacific Bearing's only obligation will be to repair or replace without charge, any defective components if returned promptly. No liability is assumed beyond such replacement. *Consult www.pacific-bearing.com for the latest technical updates.



Simplicity® Ball Bearings

Round Flange Center Mount - ISO Metric

Linear Motion Systems



EPFC SERIES - DIMENSIONAL INFORMATION (cont.)

(Standard Steel Finish)

MAJOR DIMENSIONS & TOLERANCES						LOAD RATING			
Df (mm)	t (mm)	Dp (mm)	X x Y x Z (mm)	ECCENTRICITY ID to OD (inch/ μ m)	PERPENDICULARITY FLANGE FACE to ID (inch/ μ m)	DYNAMIC C (N)	STATIC Co (N)	ALLOWABLE STATIC MOMENT Mo (N-m)	NOMINAL SHAFT DIAMETER (mm)
32	5	24	3.5 x 6.5 x 3.1	15	15	421	804	4.3	8
42	6	32	4.5 x 8.0 x 4.1			913	1,570	11.7	12
46		36	4.5 x 8.0 x 4.1			921	1,780	14.2	16
54	8	43	5.5 x 9.3 x 5.1	17	17	1,370	2,740	25	20
62		51	5.5 x 9.3 x 5.1			1,570	3,140	44	25
76	10	62	6.6 x 11.0 x 6.1			20	20	2,500	5,490
98	13	80	9.0 x 14.0 x 8.1	3,430	8,040			147	40
112		94	9.0 x 14.0 x 8.1	6,080	15,900			396	50
134	18	112	11.0 x 17.5 x 11.1	25	25	7,550	20,000	487	60

Flange Mount

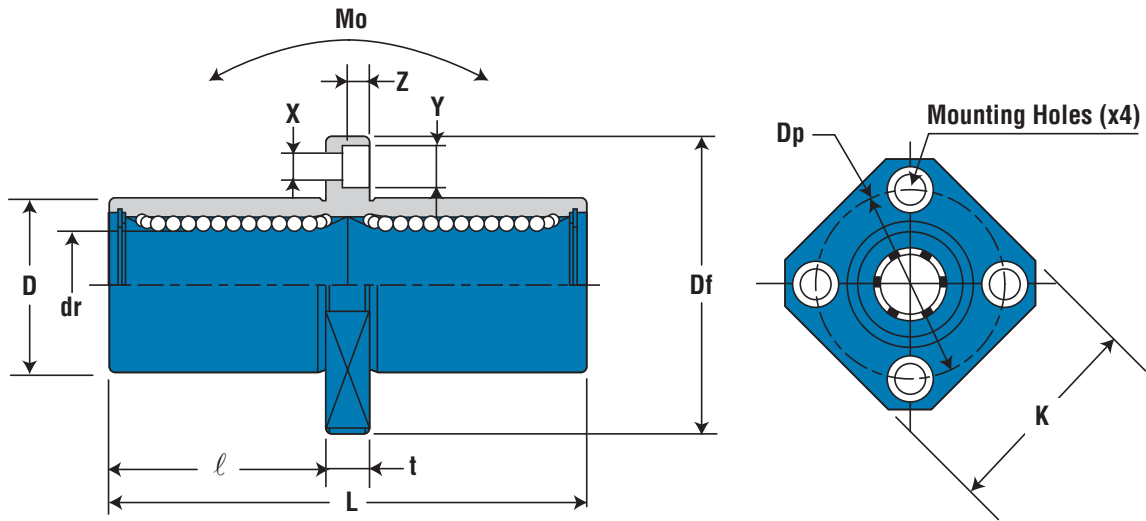
The data and specifications in this publication have been carefully compiled and are believed to be accurate and correct. However, it is the responsibility of the user to determine and ensure the suitability of Pacific Bearing® products for a specific application. Pacific Bearing's only obligation will be to repair or replace without charge, any defective components if returned promptly. No liability is assumed beyond such replacement. *Consult www.pacific-bearing.com for the latest technical updates.



Simplicity® Ball Bearings

Square Flange Center Mount - ISO Metric

Linear Motion Systems



EPKC SERIES - DIMENSIONAL INFORMATION

NOMINAL SHAFT DIAMETER (mm)	PART NUMBER	MAJOR DIMENSIONS & TOLERANCES							
		BALL CIRCUIT	WEIGHT (g)	dr (mm)	TOLERANCE (µm)	D (mm)	TOLERANCE (µm)	L (mm)	TOLERANCE (mm)
8	EPKC8G	4	51	8	+9 -1	16	0 -13	46	± 0.3
12	EPKC12G		90	12		22		61	
16	EPKC16G	5	135	16	+11 -1	26	0 -16	68	
20	EPKC20G		225	20		32		80	
25	EPKC25G	6	500	25	+13 -2	40	0 -19	112	
30	EPKC30G		720	30		47		123	
40	EPKC40G	6	1,600	40	+16 -4	62	0 -22	151	
50	EPKC50G		2,620	50		75		192	
60	EPKC60G		4,480	60		90		209	

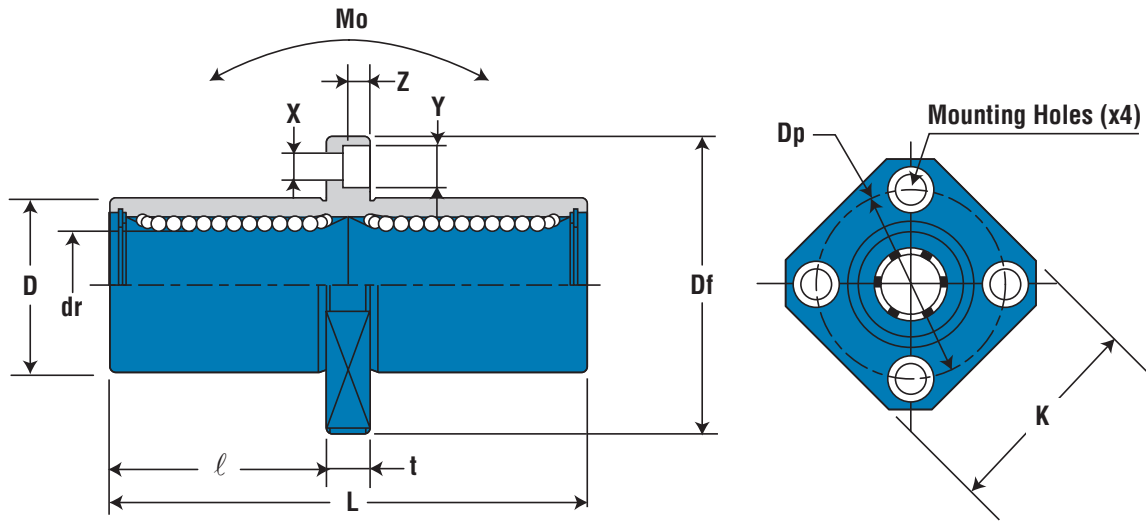
The data and specifications in this publication have been carefully compiled and are believed to be accurate and correct. However, it is the responsibility of the user to determine and ensure the suitability of Pacific Bearing® products for a specific application. Pacific Bearing's only obligation will be to repair or replace without charge, any defective components if returned promptly. No liability is assumed beyond such replacement. *Consult www.pacific-bearing.com for the latest technical updates.



Simplicity® Ball Bearings

Square Flange Center Mount - ISO Metric

Linear Motion Systems



EPKC SERIES - DIMENSIONAL INFORMATION (cont.)

(Standard Steel Finish)

MAJOR DIMENSIONS & TOLERANCES								LOAD RATING			
l (mm)	D_f (mm)	K (mm)	t (mm)	D_p (mm)	$X \times Y \times Z$ (mm)	ECCENTRICITY ID to OD (inch/ μ m)	PERPENDICULARITY FLANGE FACE to ID (inch/ μ m)	DYNAMIC C (N)	STATIC C_o (N)	ALLOWABLE STATIC MOMENT M_o (N-m)	NOMINAL SHAFT DIAMETER (mm)
20.5	32	25	5	24	3.5 x 6.5 x 3.1	15	15	421	804	4.3	8
27.5	42	32	6	32	4.5 x 8.0 x 4.1			913	1,570	11.7	12
31	46	35		36	4.5 x 8.0 x 4.1			921	1,780	14.2	16
36	54	42	8	43	5.5 x 9.3 x 5.1	17	17	1,370	2,740	25	20
52	62	50		51	5.5 x 9.3 x 5.1			1,570	3,140	44	25
56.5	76	60		10	62			6.6 x 11.0 x 6.1	2,500	5,490	78.9
69	98	75	13	80	9.0 x 14.0 x 8.1	20	20	3,430	8,040	147	40
89.5	112	88		94	9.0 x 14.0 x 8.1			6,080	15,900	396	50
95.5	134	106	18	112	11.0 x 17.5 x 11.1	25	25	7,550	20,000	487	60

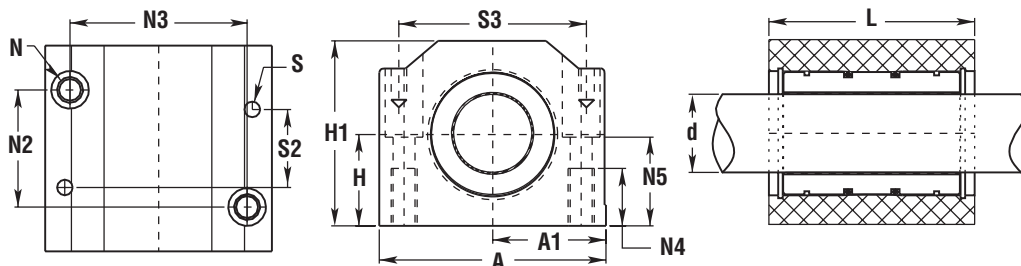
The data and specifications in this publication have been carefully compiled and are believed to be accurate and correct. However, it is the responsibility of the user to determine and ensure the suitability of Pacific Bearing® products for a specific application. Pacific Bearing's only obligation will be to repair or replace without charge, any defective components if returned promptly. No liability is assumed beyond such replacement. *Consult www.pacific-bearing.com for the latest technical updates.



Simplicity® Ball Bearings

Closed & Open Pillow Blocks - ISO & JIS Metric

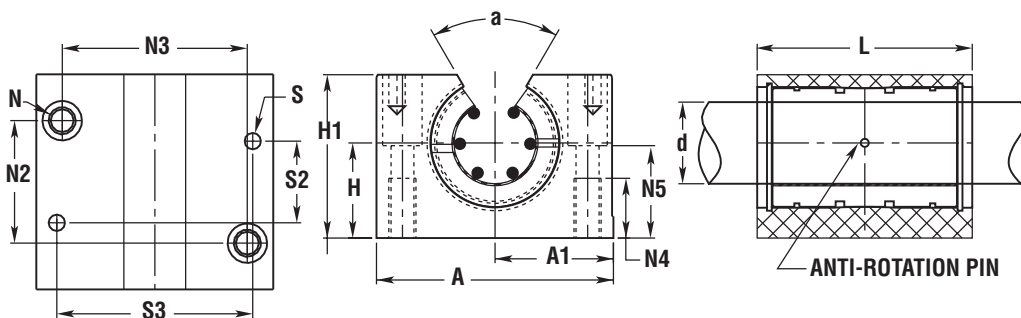
Linear Motion Systems



CLOSED PILLOW BLOCKS

PART NO.	d NOM. I.D.	H	H1	A	A1	L	N									ASSEM. WT. (kg.)
								N2	N3	N4	N5	S	S2	S3		
EPPM08G	8	15	28	35	17.5	32	M4 x 0.7	20.15	25.15	9	14.5	N / A	N / A	N / A	0.069	
EPPM10G	10	16	31.5	40	20	36	M5 x 0.8									
EPPM12G	12	18	35	43	21.5	39	M5 x 0.8	23.15	3.15	11	16.5	4	32	34	0.118	
EPPM16G	16	22	42	53	26.5	43	M6 x 1.0	26.15	40.15							
EPPM20G	20	25	50	60	30	54	M8 x 1.25	32.15	45.15	18	24	5	45	50	0.329	
EPPM25G	25	30	60	78	39	67	M10 x 1.5	40.15	60.15	22	29	6	20	64	0.655	
EPPM30G	30	35	71	87	43.5	79	M10 x 1.5	45.15	68.15							
EPPM40G	40	45	91	108	54	91	M12 x 1.75	58.15	86.15	26	44	8	35	90	1.846	
EPPM50G	50	50	105	132	66	113	M16 x 2.0	50.20	108.2	34	49	10	42	108	3.169	

- NOTES:** (1) Standard pillow block assembly includes self-aligning housing and precision bearing.
 (2) All standard metric pillow blocks use standard "EP" series bearings found on page 88-89.
 (3) Straight bore pillow block assembly includes standard O.D. "EP" series bearing in straight bore housing.



OPEN PILLOW BLOCKS

PART NO.	d NOM. I.D.	H	H1	A	A1	L	N									ASSEM. WT. (kg.)
								N2	N3	N4	N5	S	S2	S3	a	
EPPMN12G	12	18	28	43	21.5	39	M5 x 0.8	23.15	32.15	11	16.5	4	32	34	66	0.096
EPPMN16G	16	22	35	53	26.5	43	M6 x 1.0	26.15	40.15	13	21					
EPPMN20G	20	25	42	60	30	54	M8 x 1.25	32.15	45.15	18	24	5	45	50	60	0.267
EPPMN25G	25	30	51	78	39	67	M10 x 1.5	40.15	60.15	22	29	6	20	64	60	0.536
EPPMN30G	30	35	60	87	43.5	79	M10 x 1.5	45.15	68.15							
EPPMN40G	40	45	77	108	54	91	M12 x 1.75	58.15	86.15	26	44	8	35	90	60	1.499
EPPMN50G	50	50	88	132	66	113	M16 x 2.0	50.20	108.2	34	49	10	42	108	60	2.539

- NOTES:** (1) Standard pillow block assembly includes self-aligning housing and precision bearing.
 (2) All standard metric pillow blocks use standard "EP" series bearings found on page 88-89.

(For Empty Pillow Block with no bearings included add LBB after the part number.)

The data and specifications in this publication have been carefully compiled and are believed to be accurate and correct. However, it is the responsibility of the user to determine and ensure the suitability of Pacific Bearing® products for a specific application. Pacific Bearing's only obligation will be to repair or replace without charge, any defective components if returned promptly. No liability is assumed beyond such replacement. *Consult www.pacific-bearing.com for the latest technical updates.

Pillow Blocks