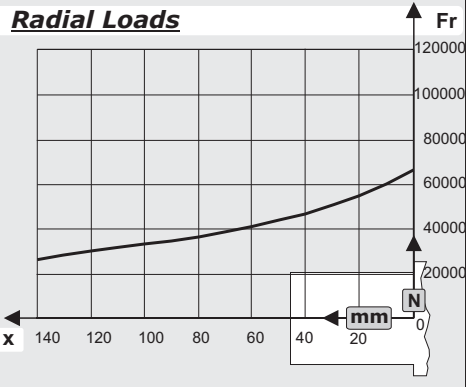
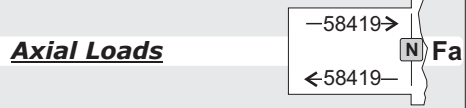


Output Shafts

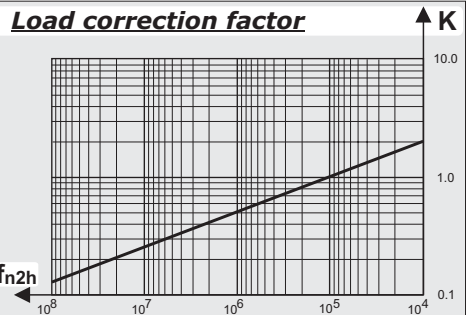
Radial Loads

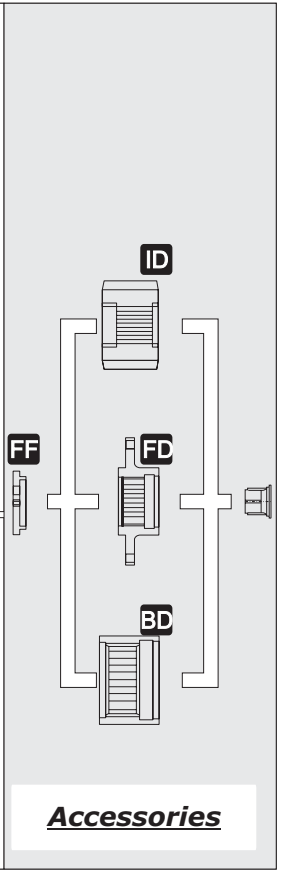
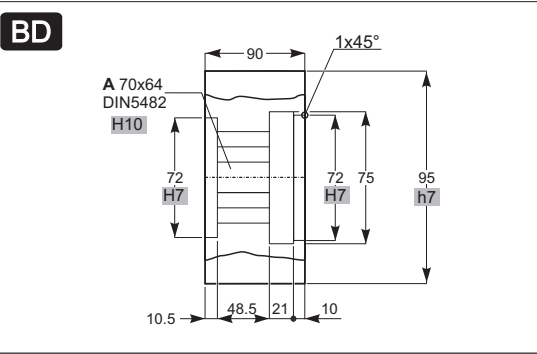
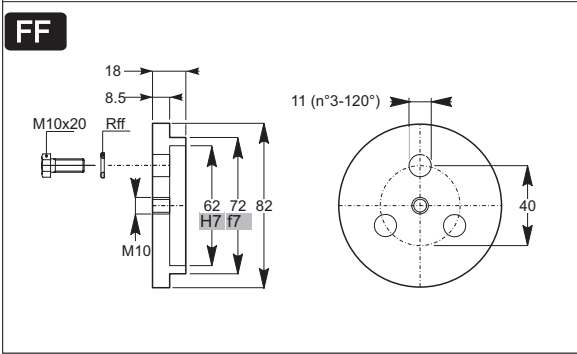
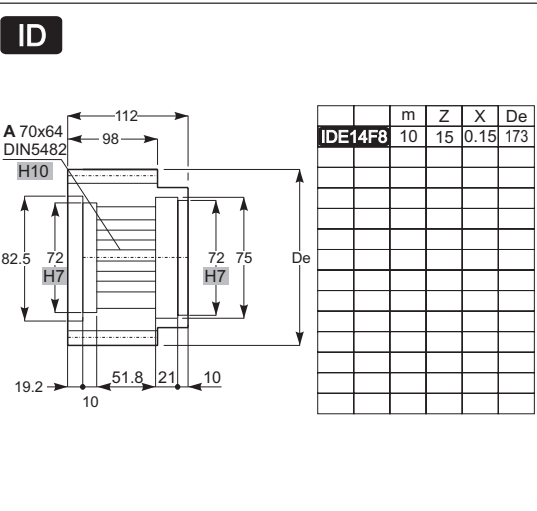
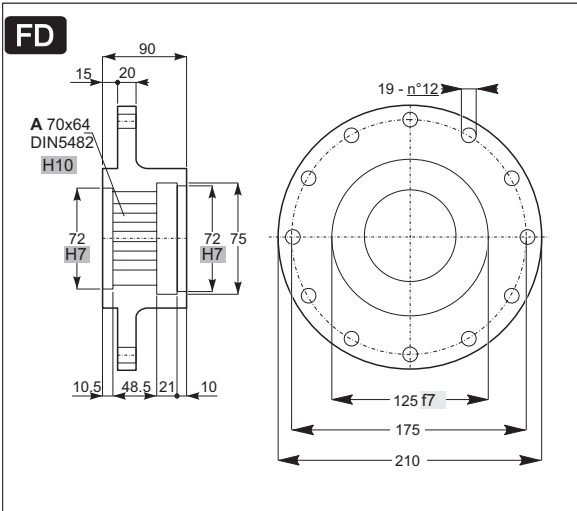
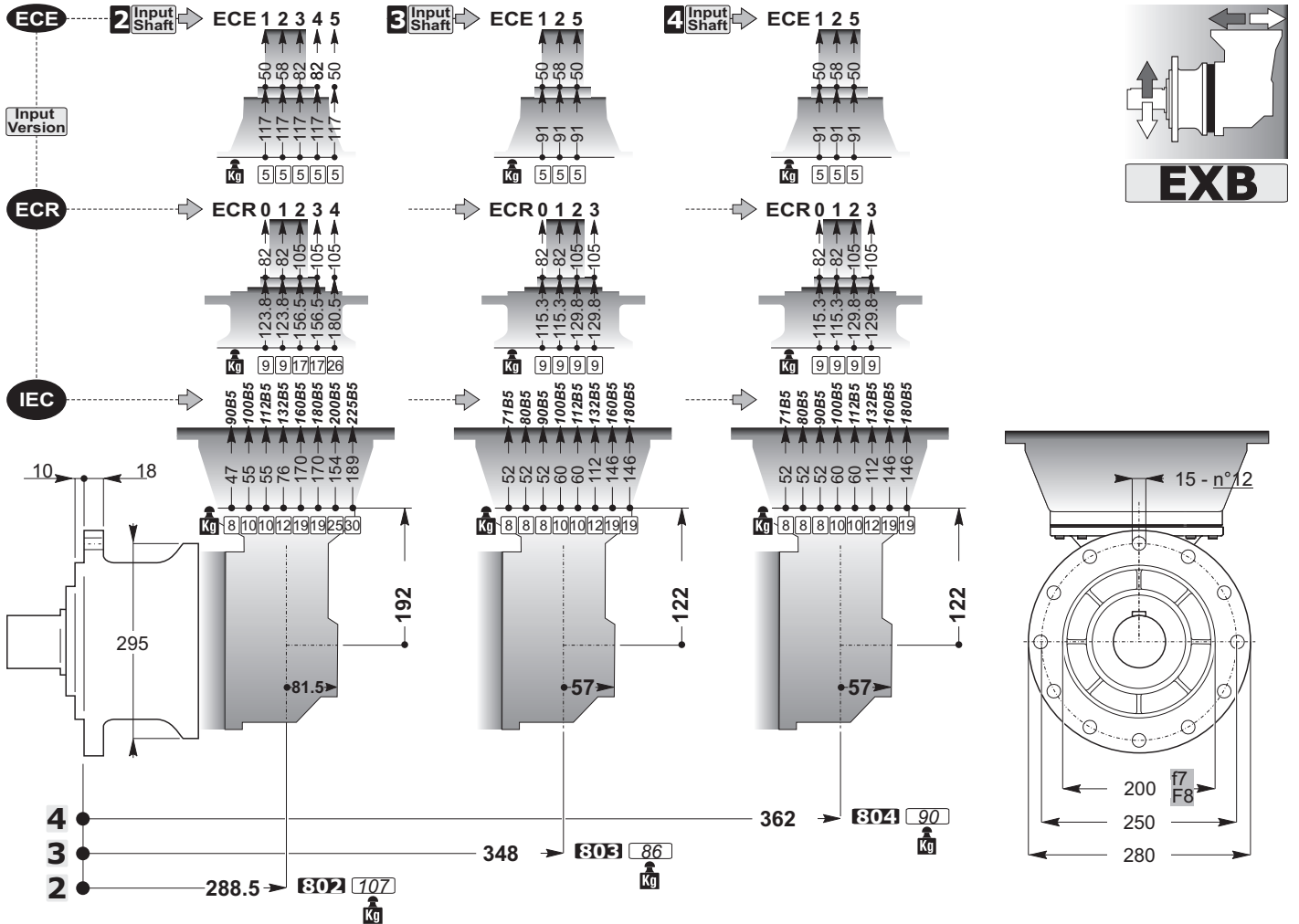


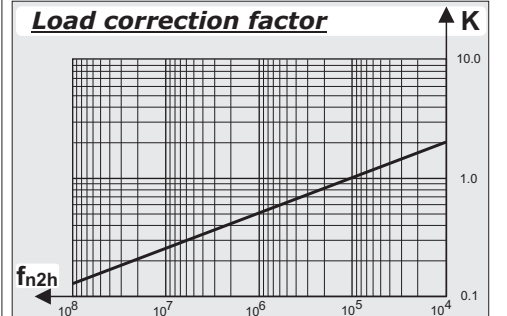
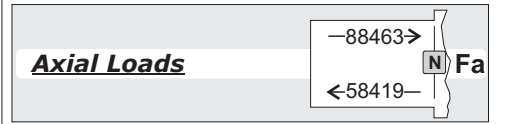
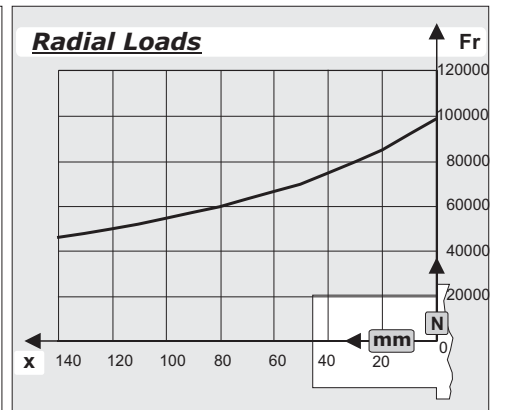
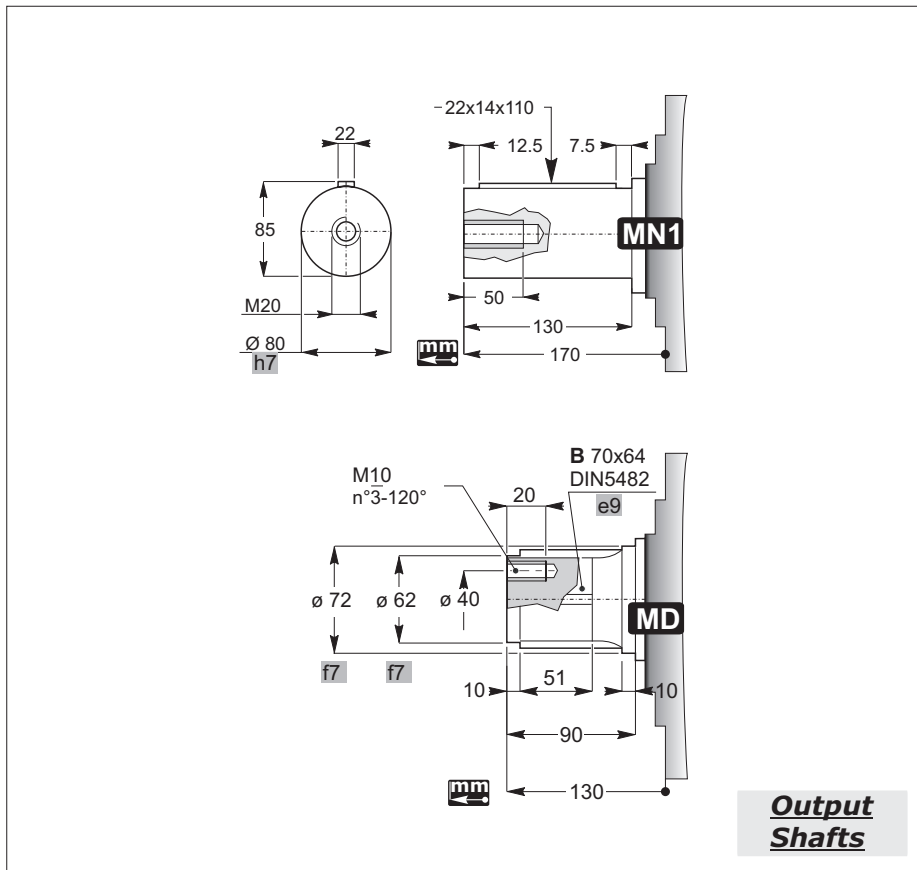
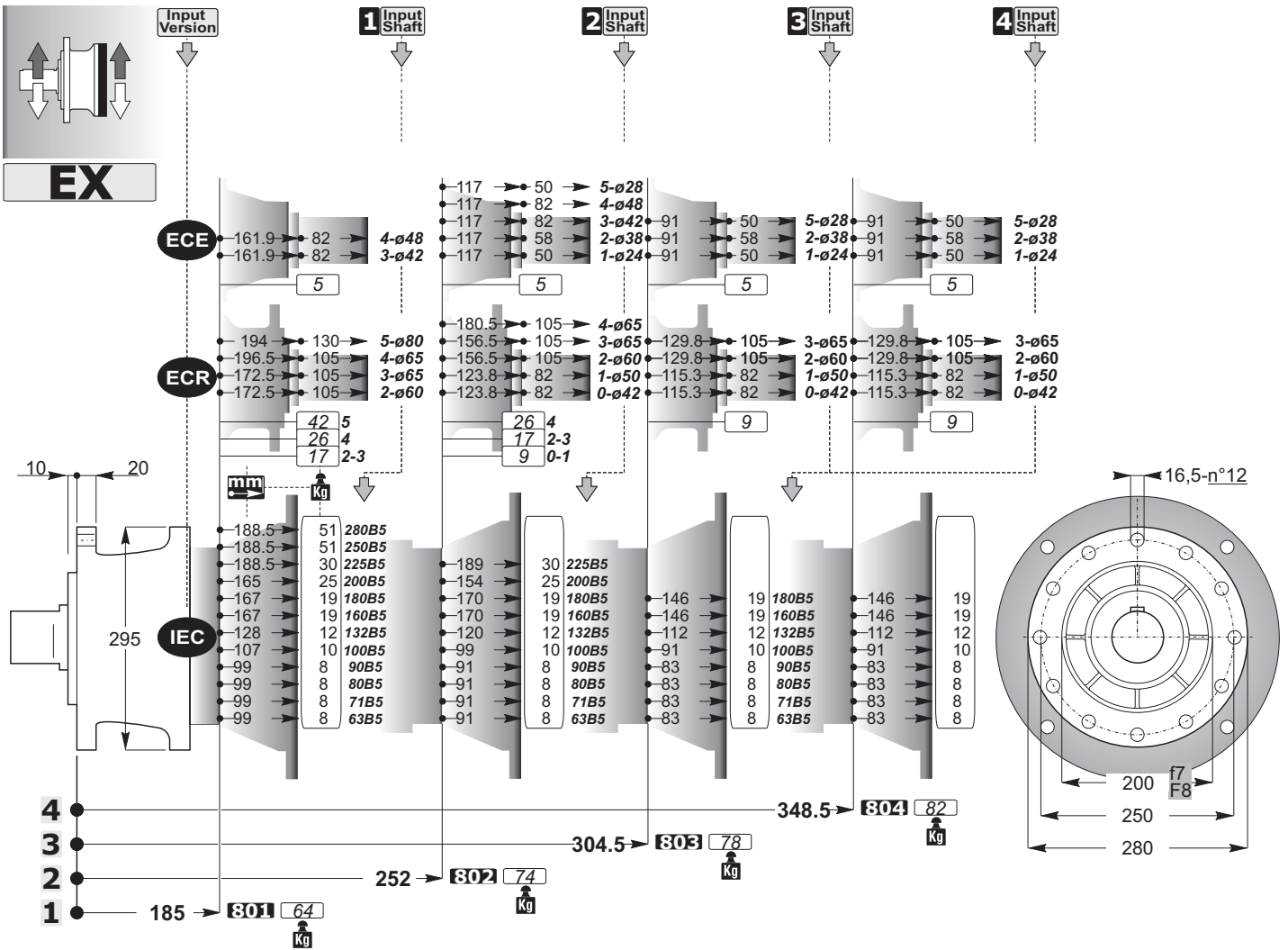
Axial Loads

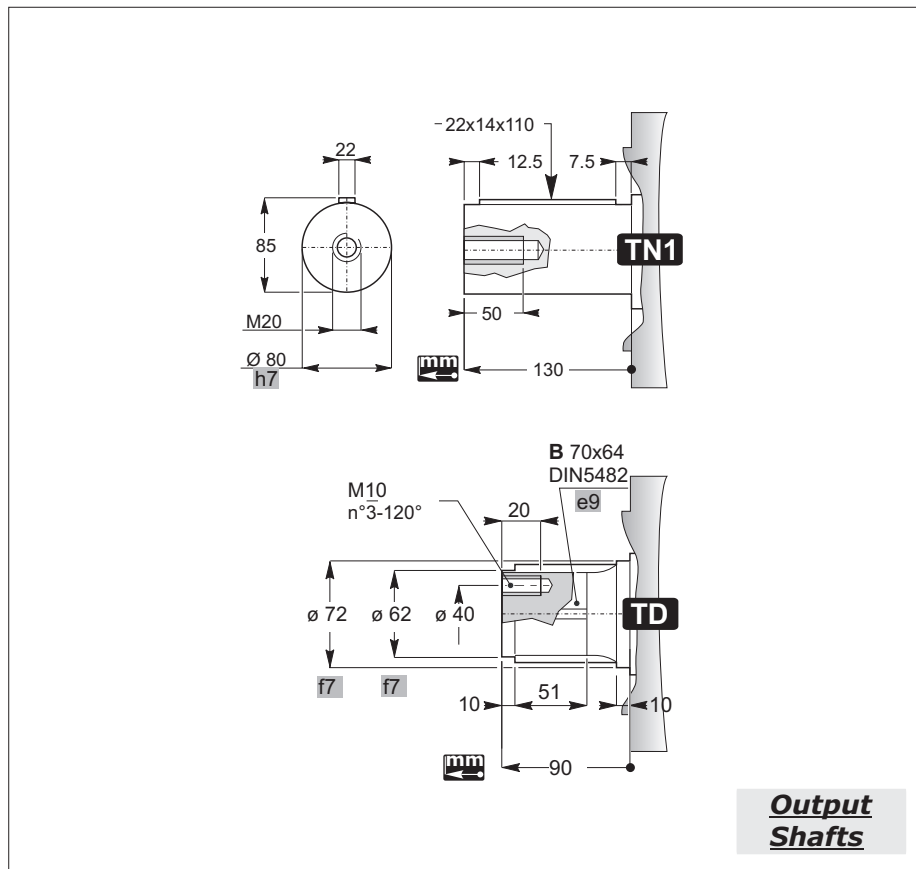
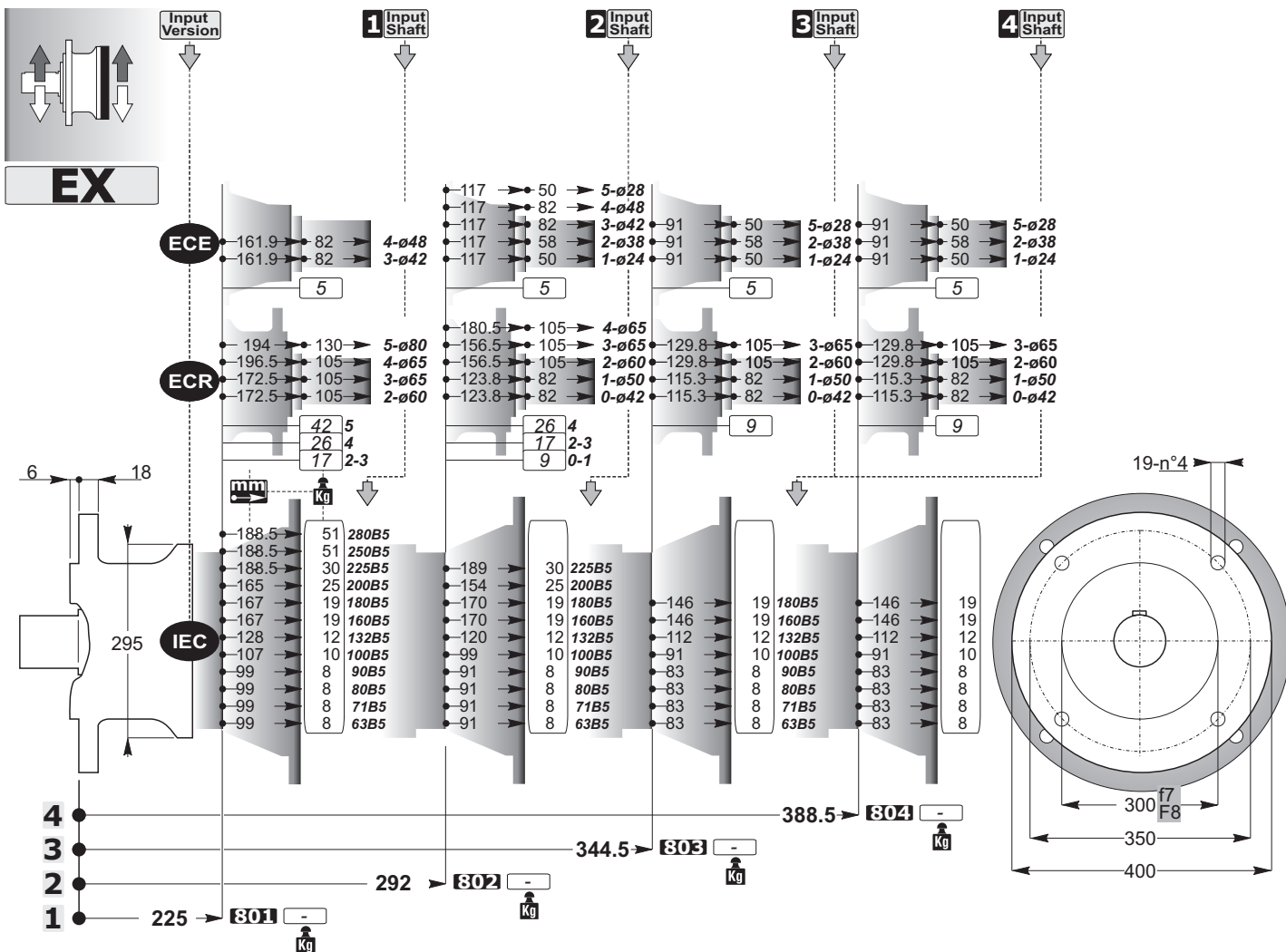


Load correction factor

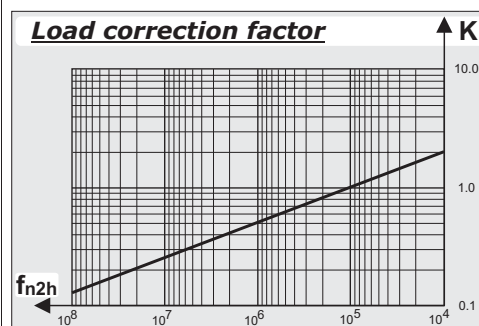
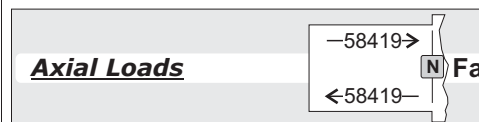
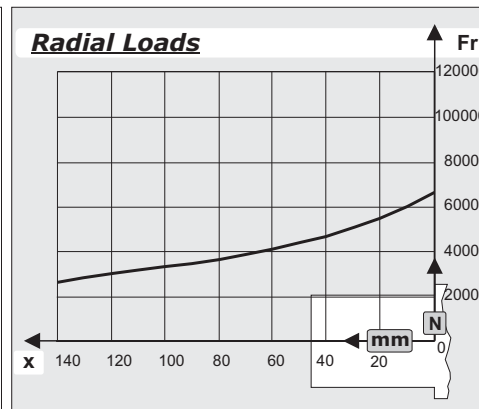


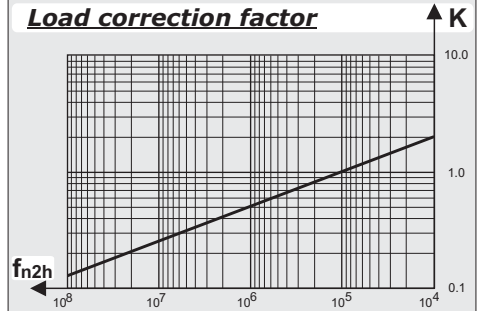
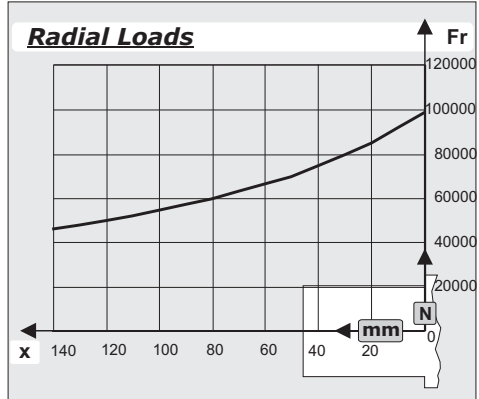
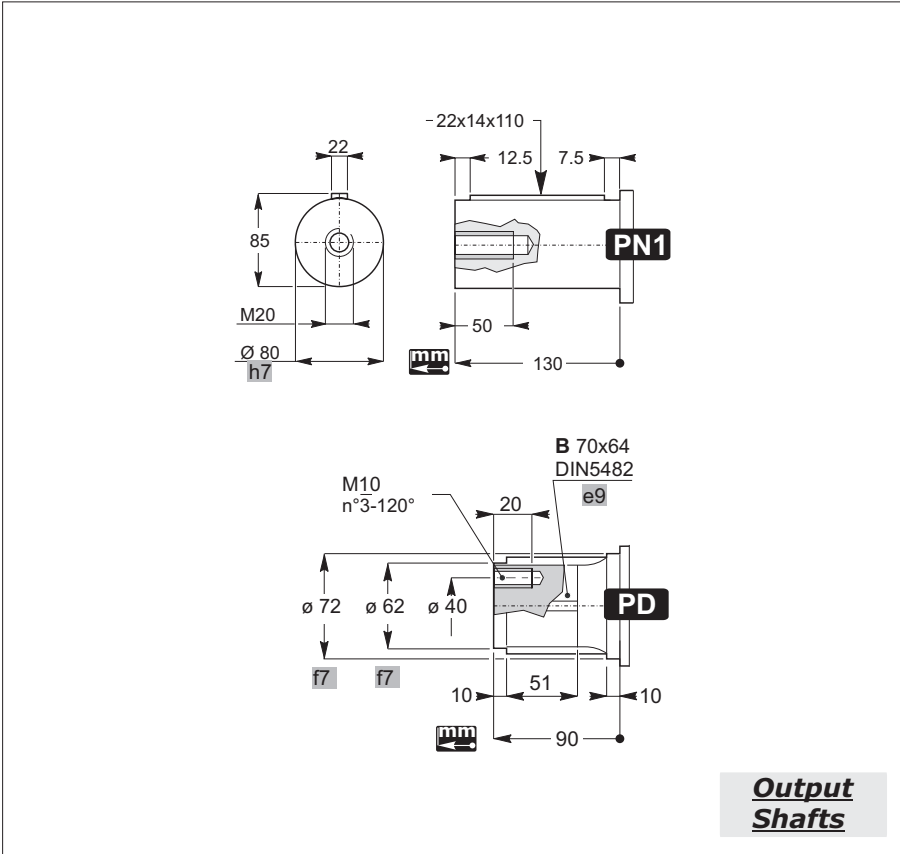
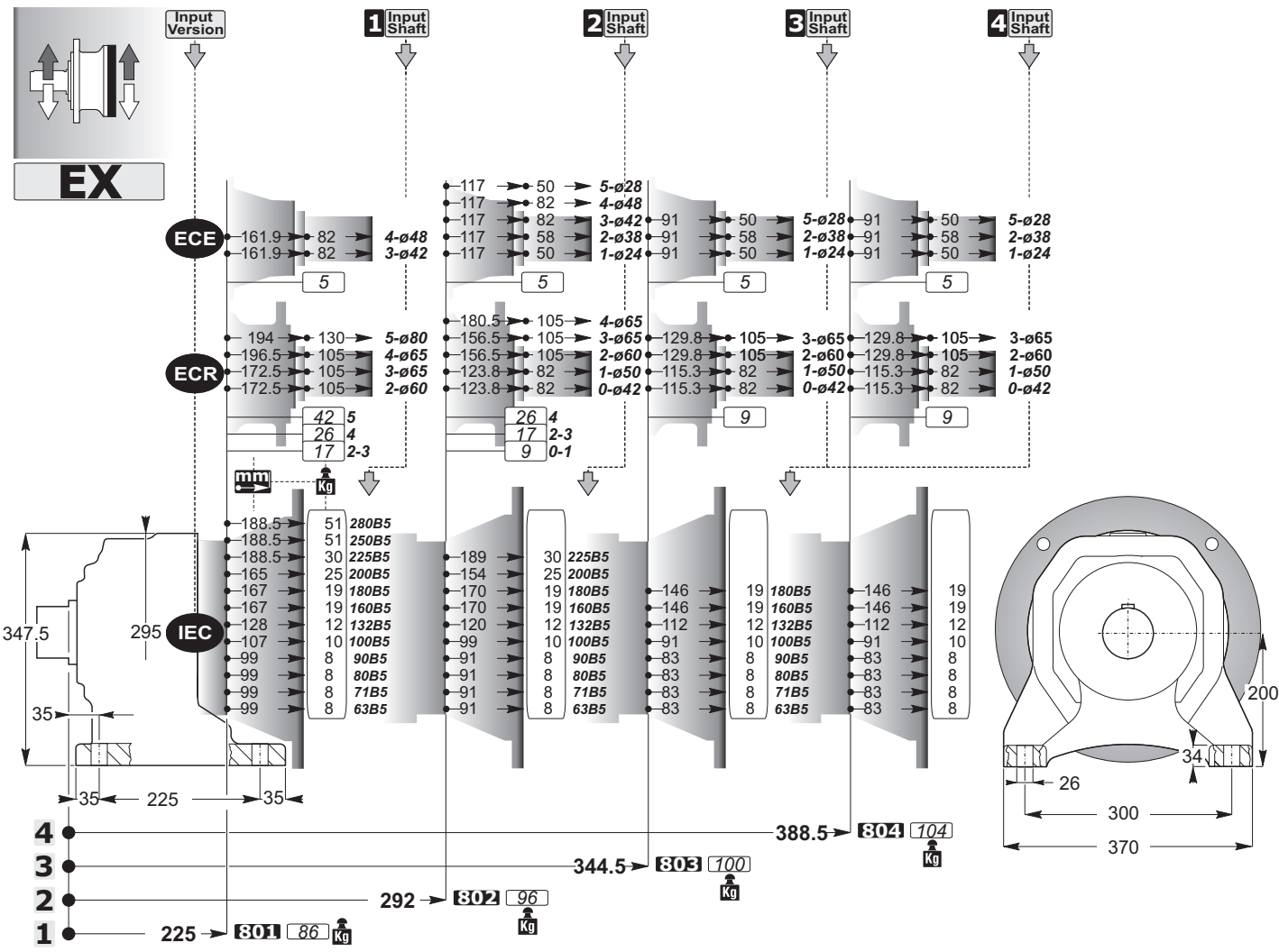




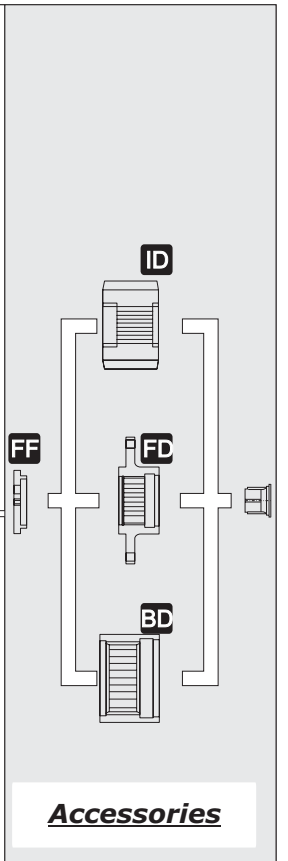
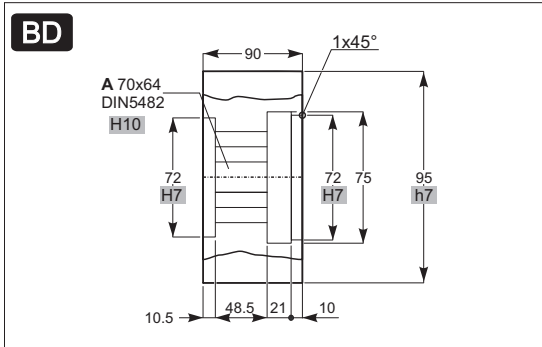
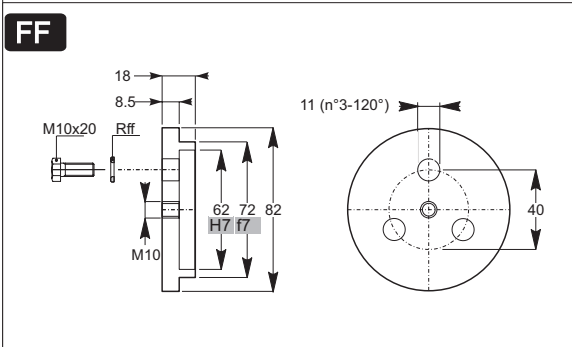
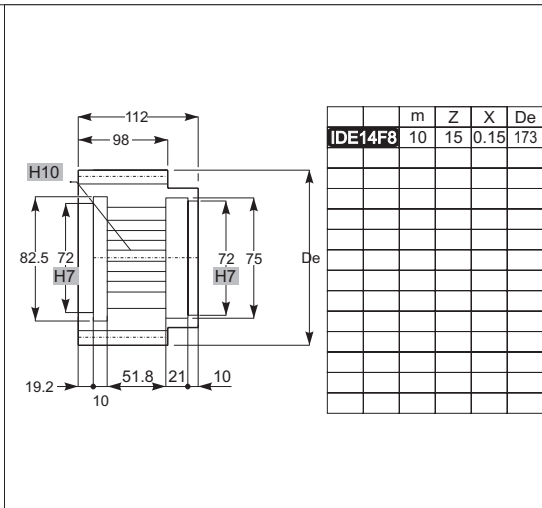
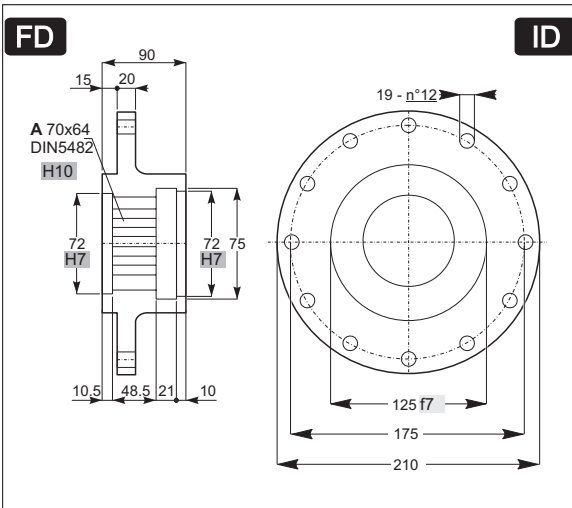
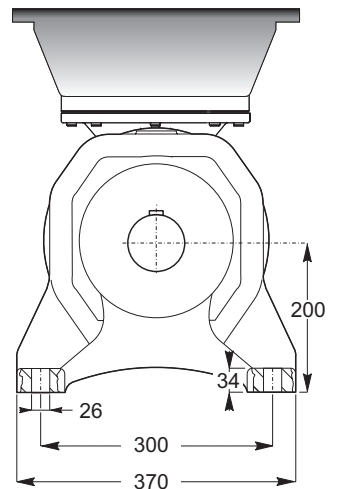
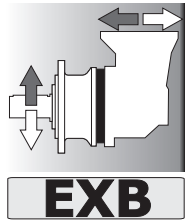
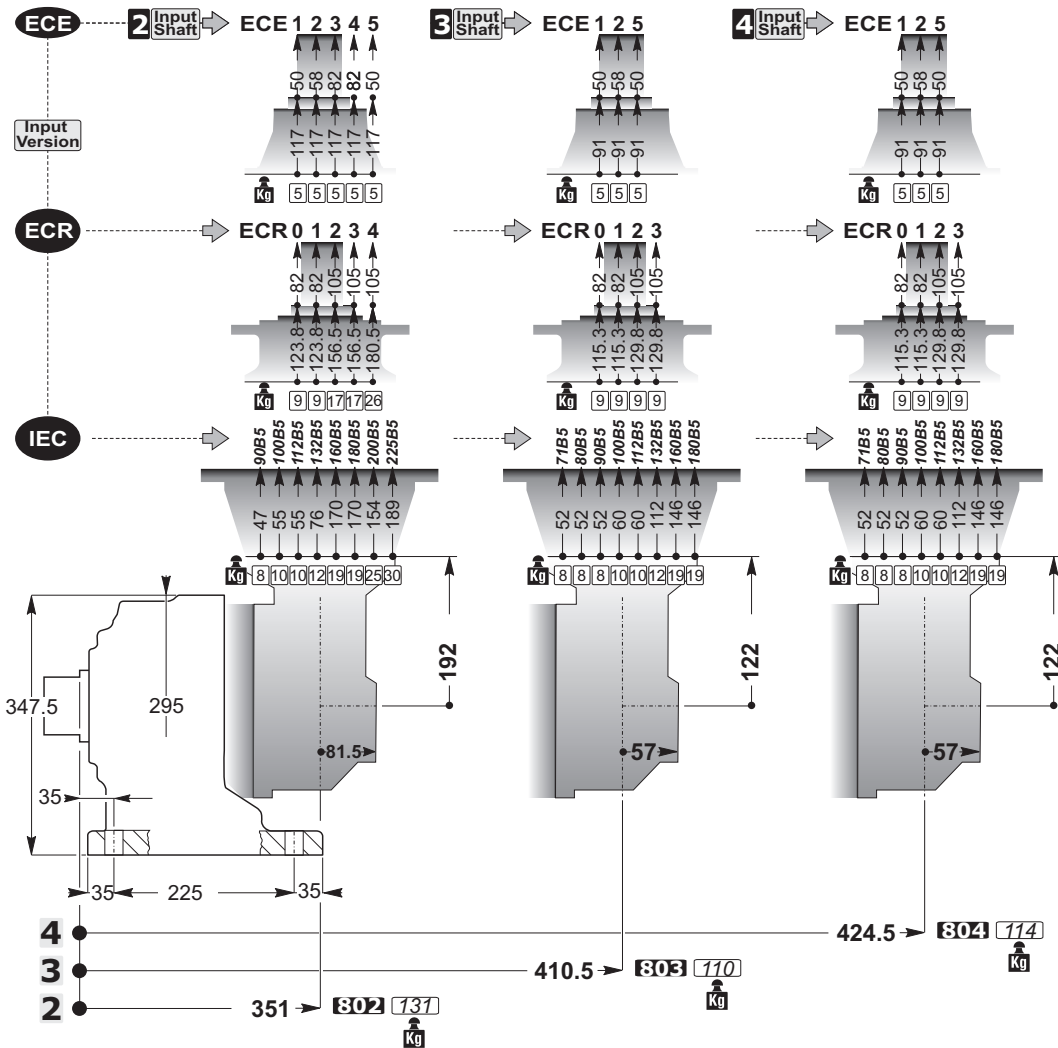


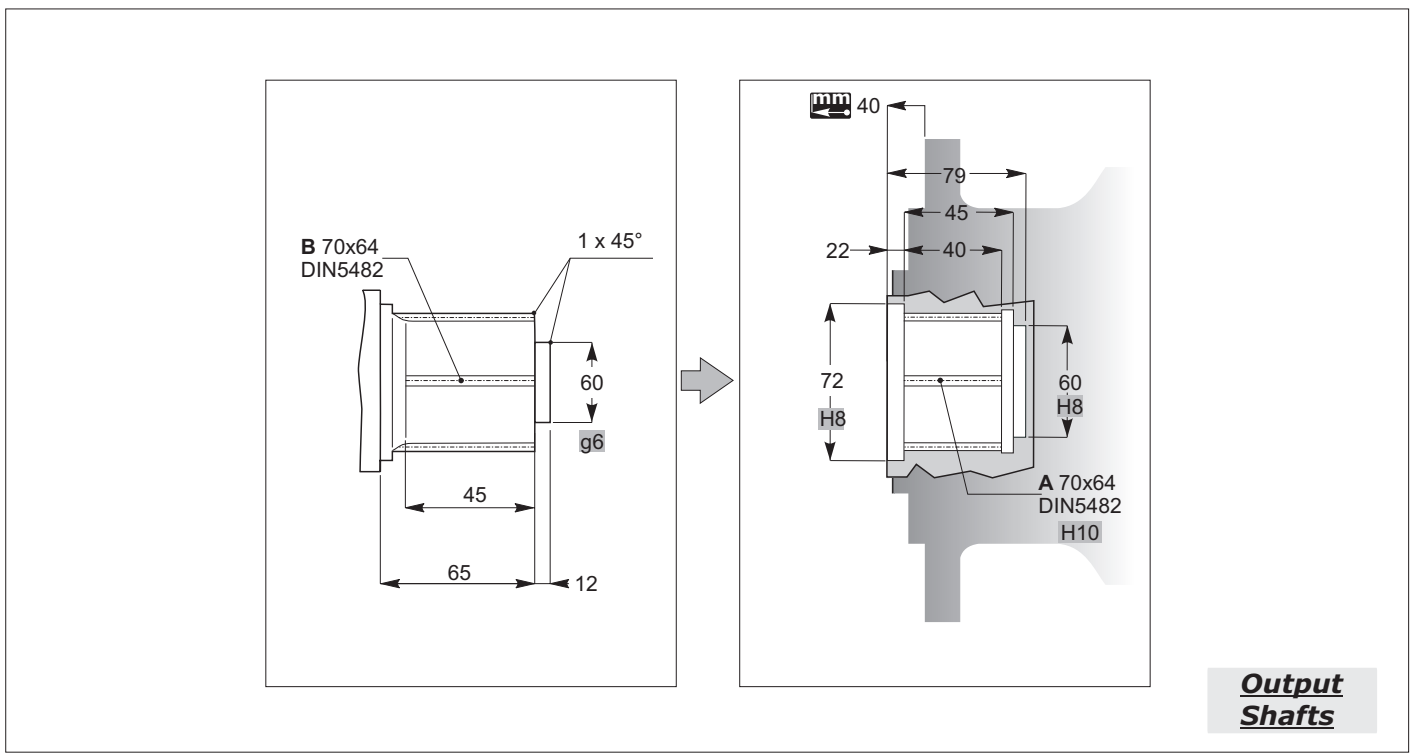
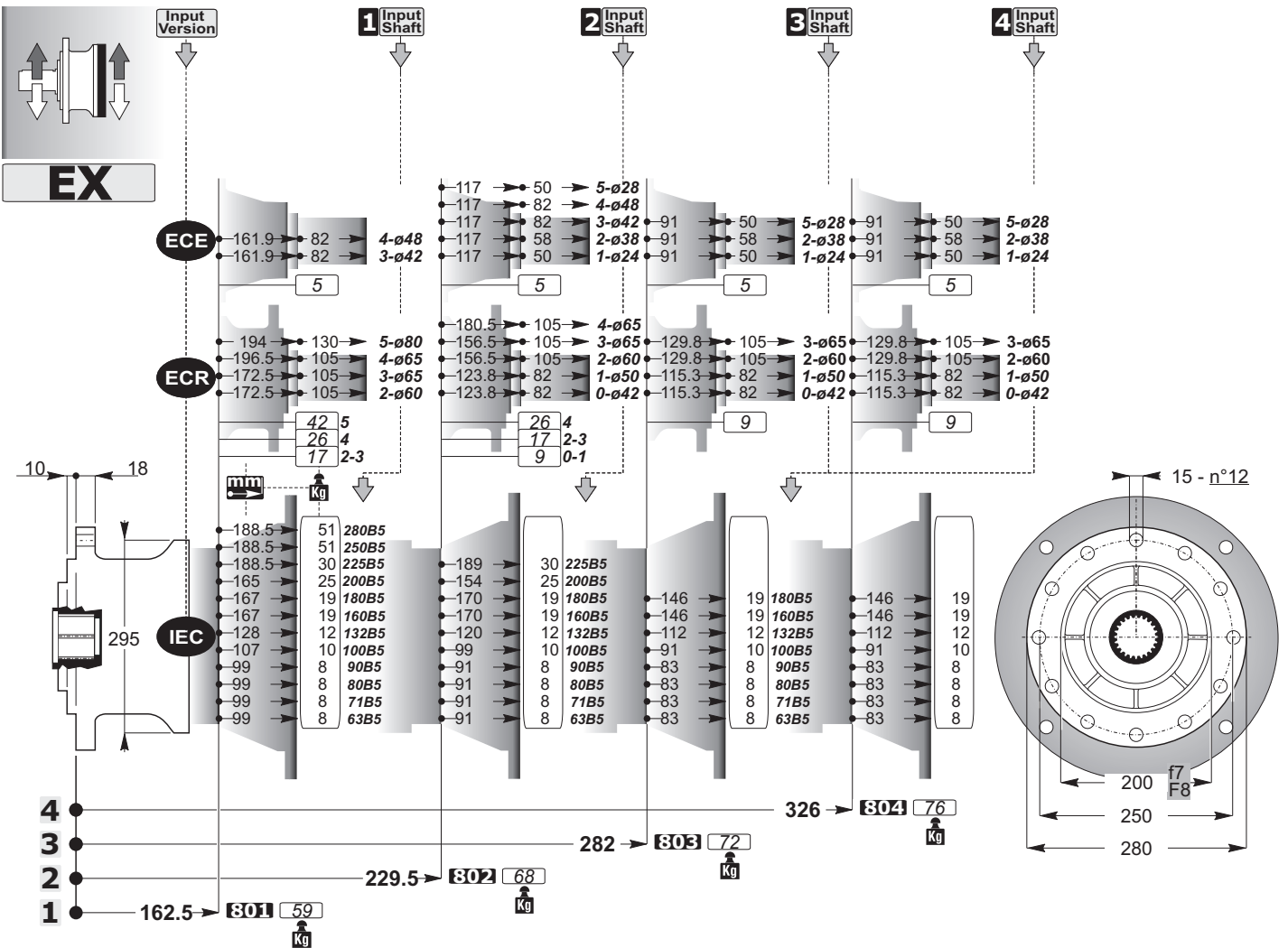
Output Shafts

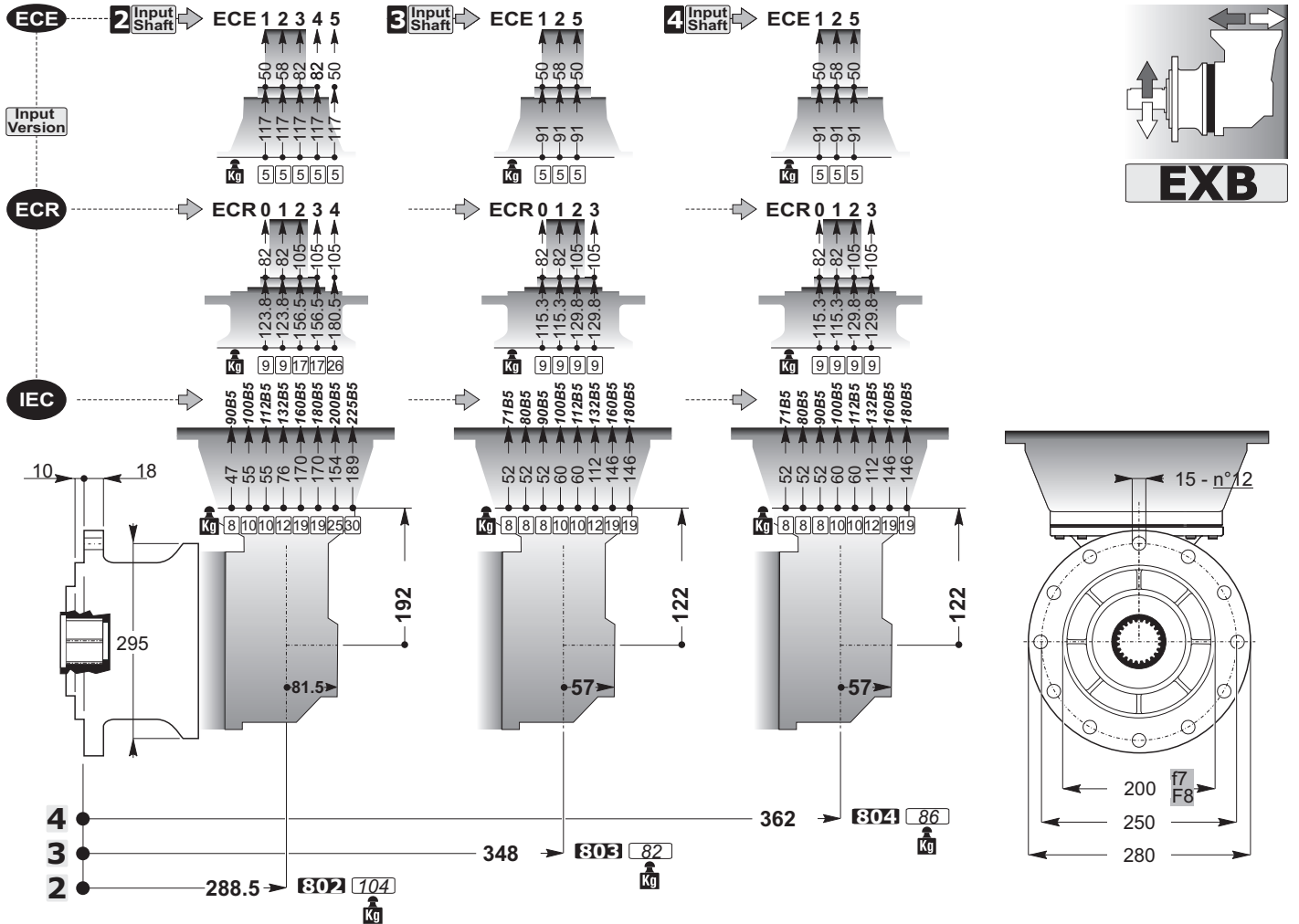




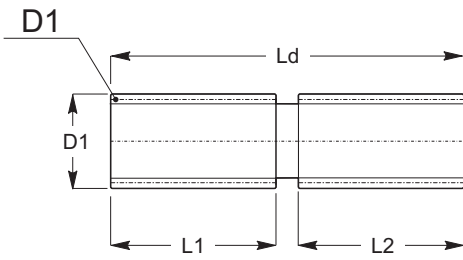
Output Shafts



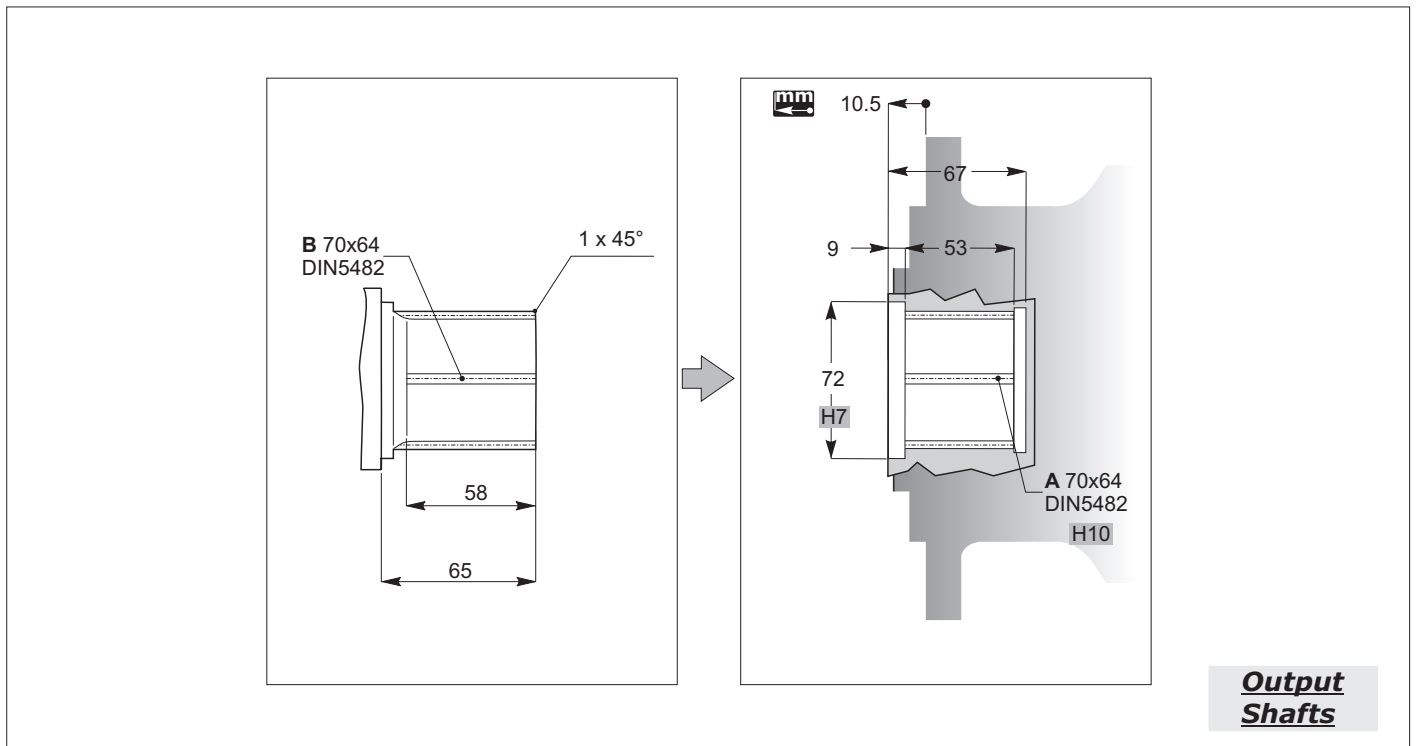
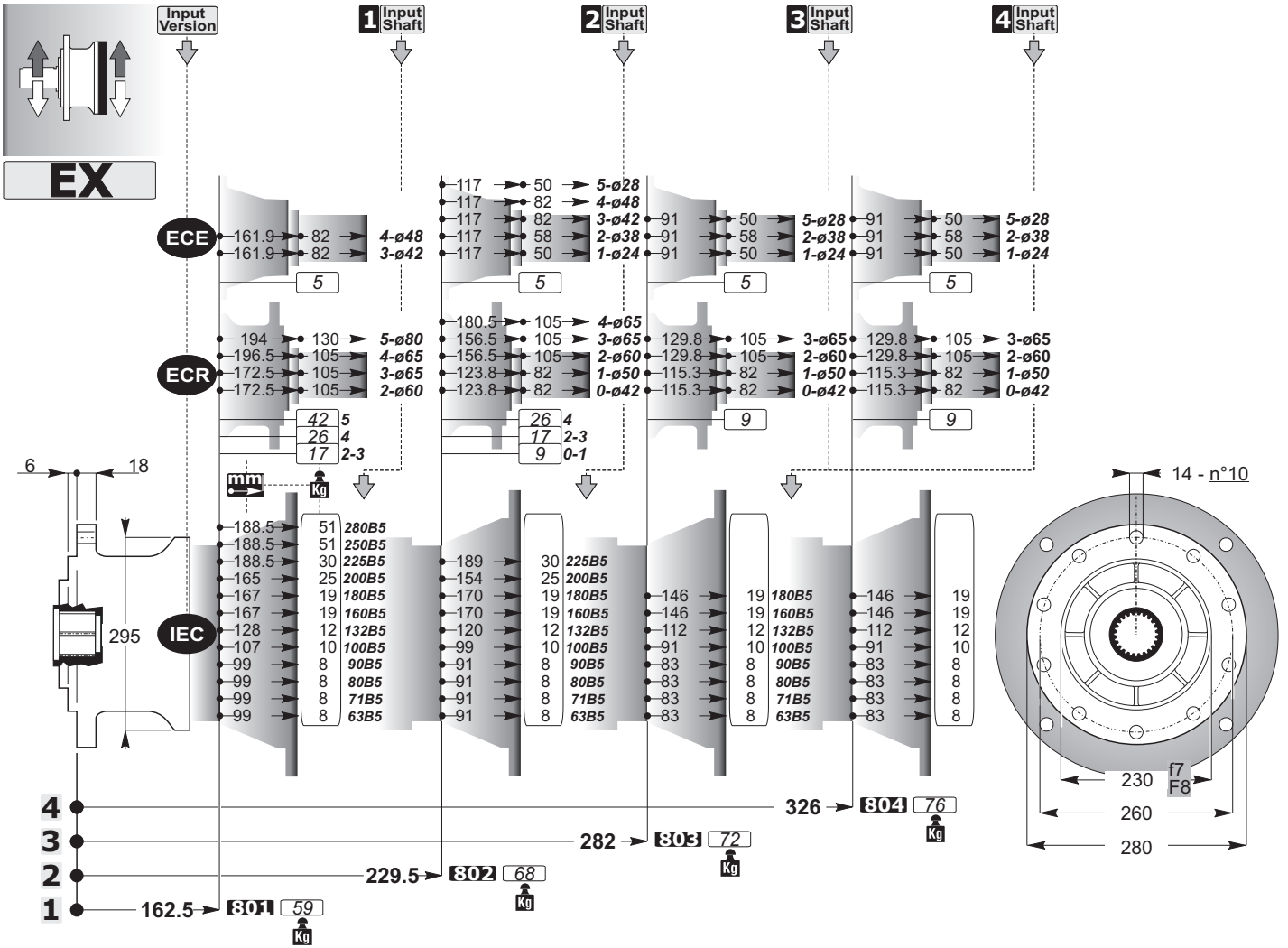


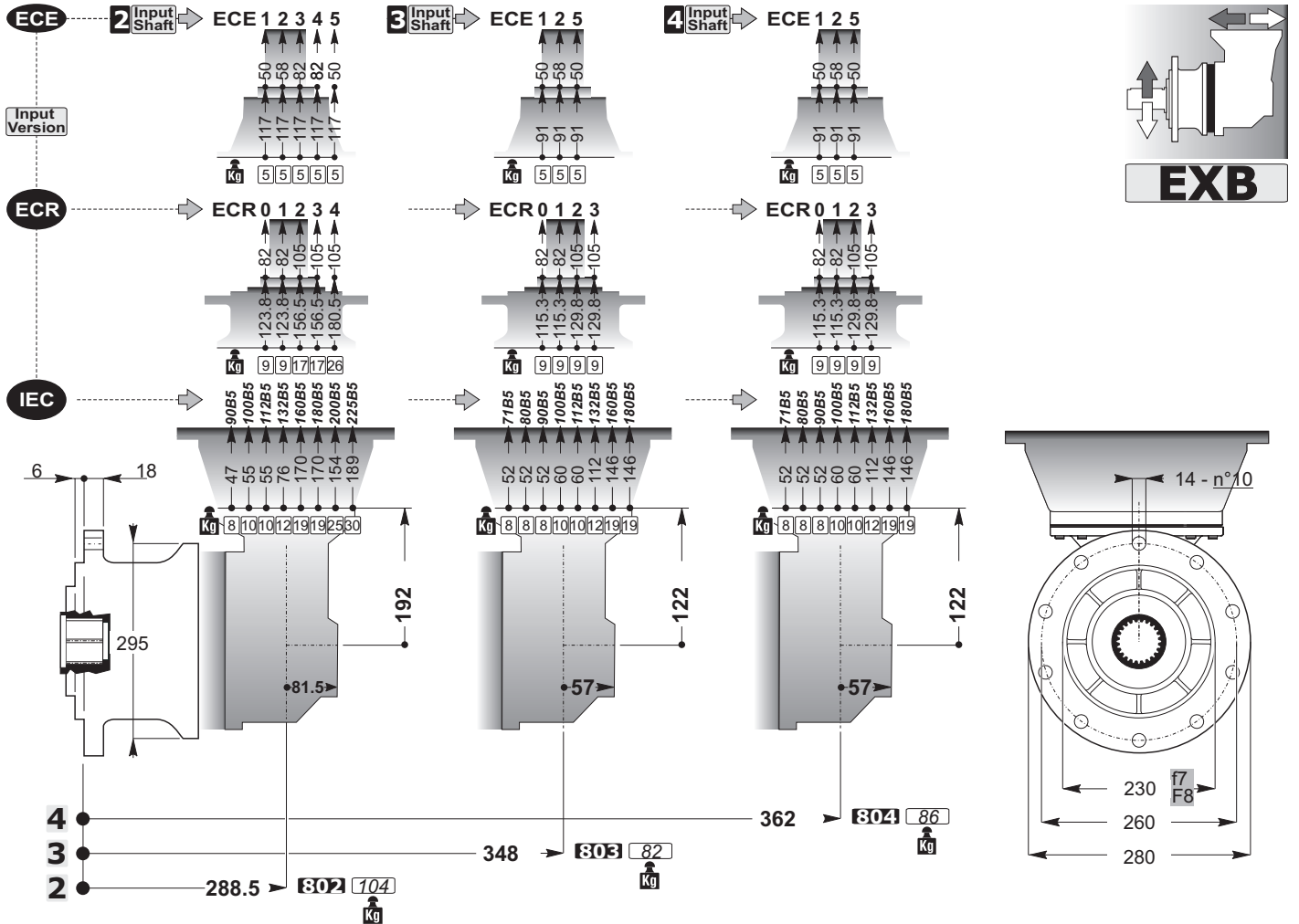


SD

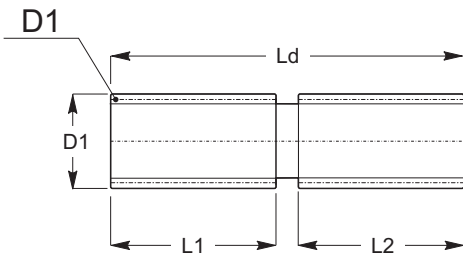


Accessories



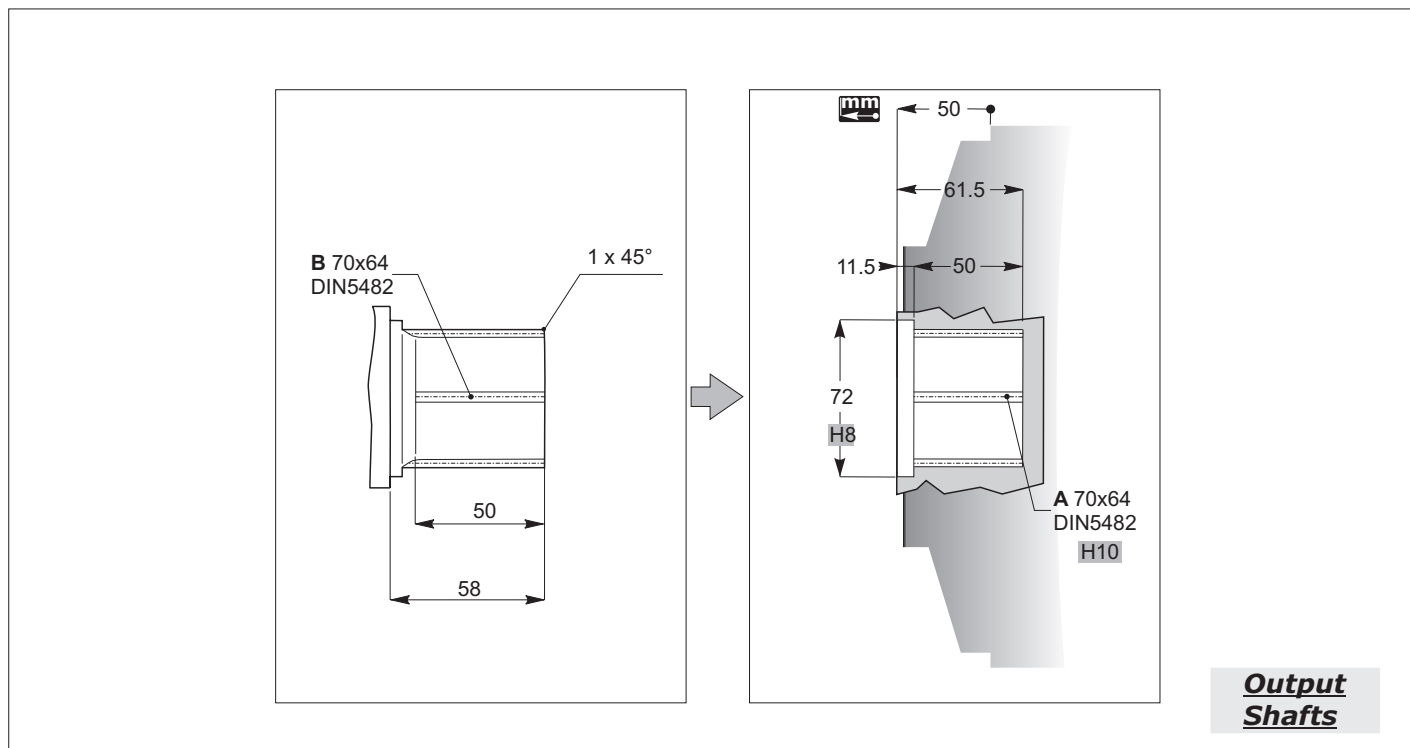
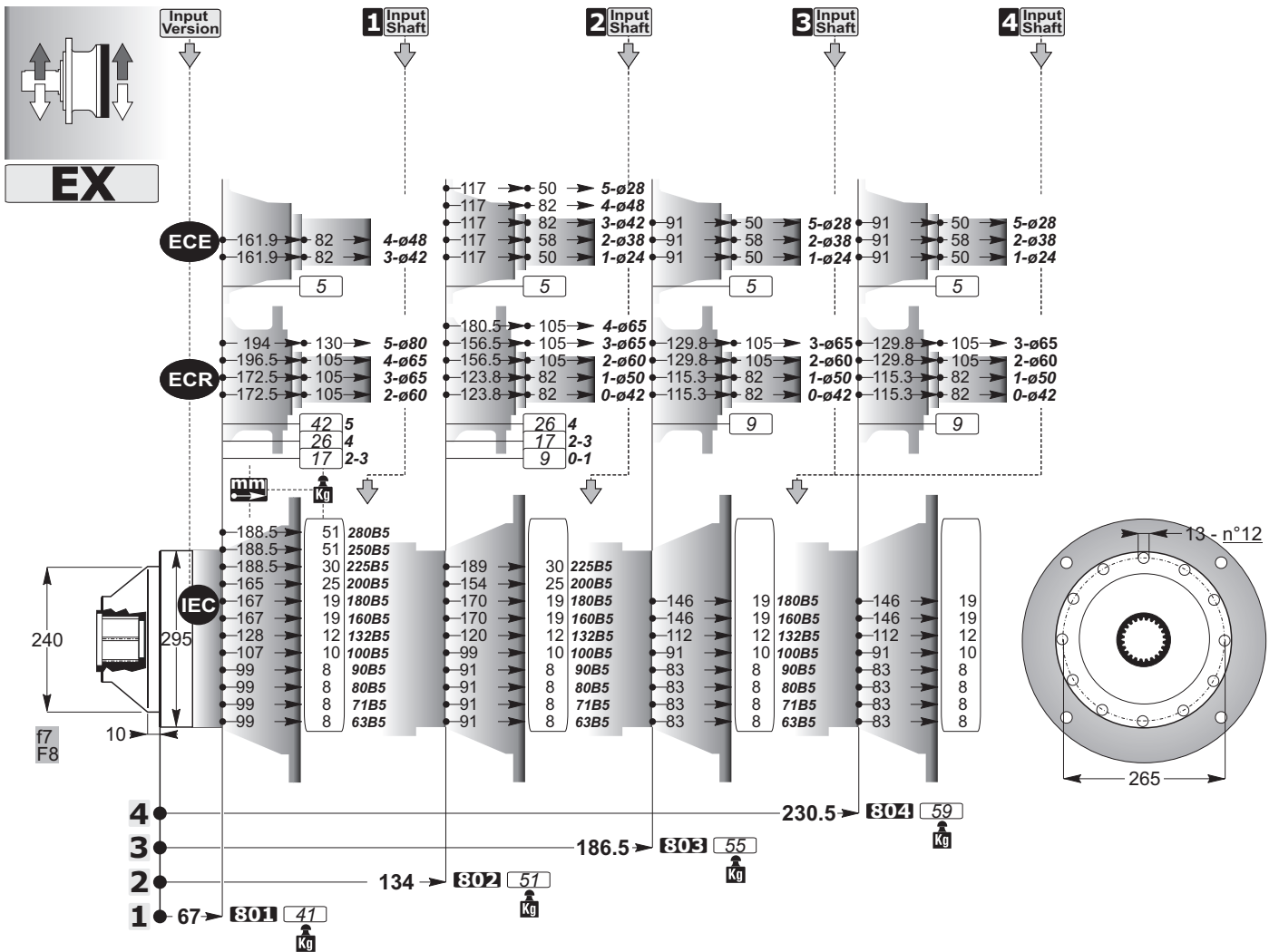


SD



SD

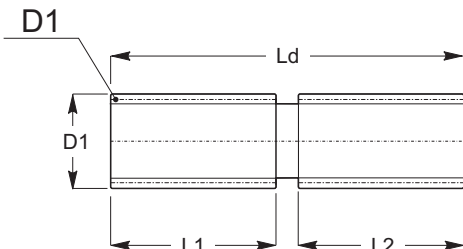

Accessories

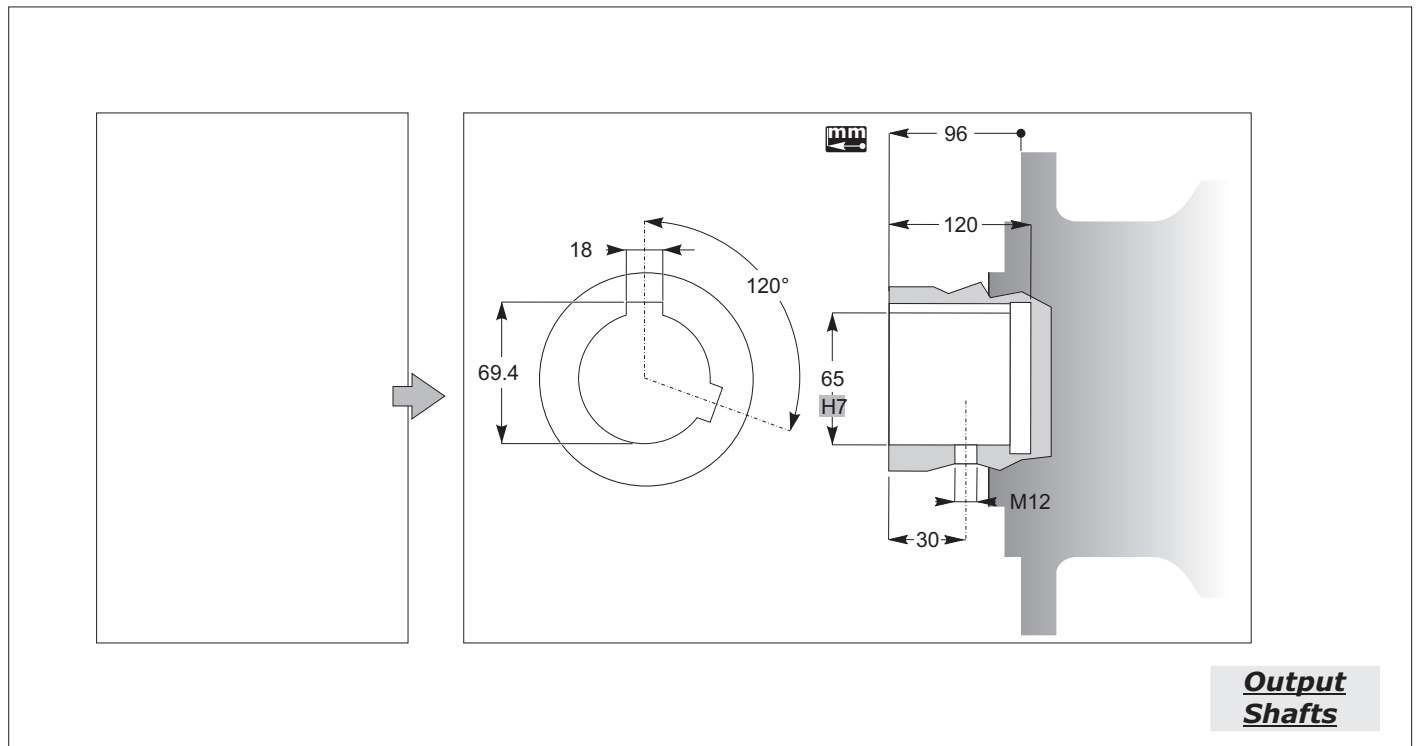
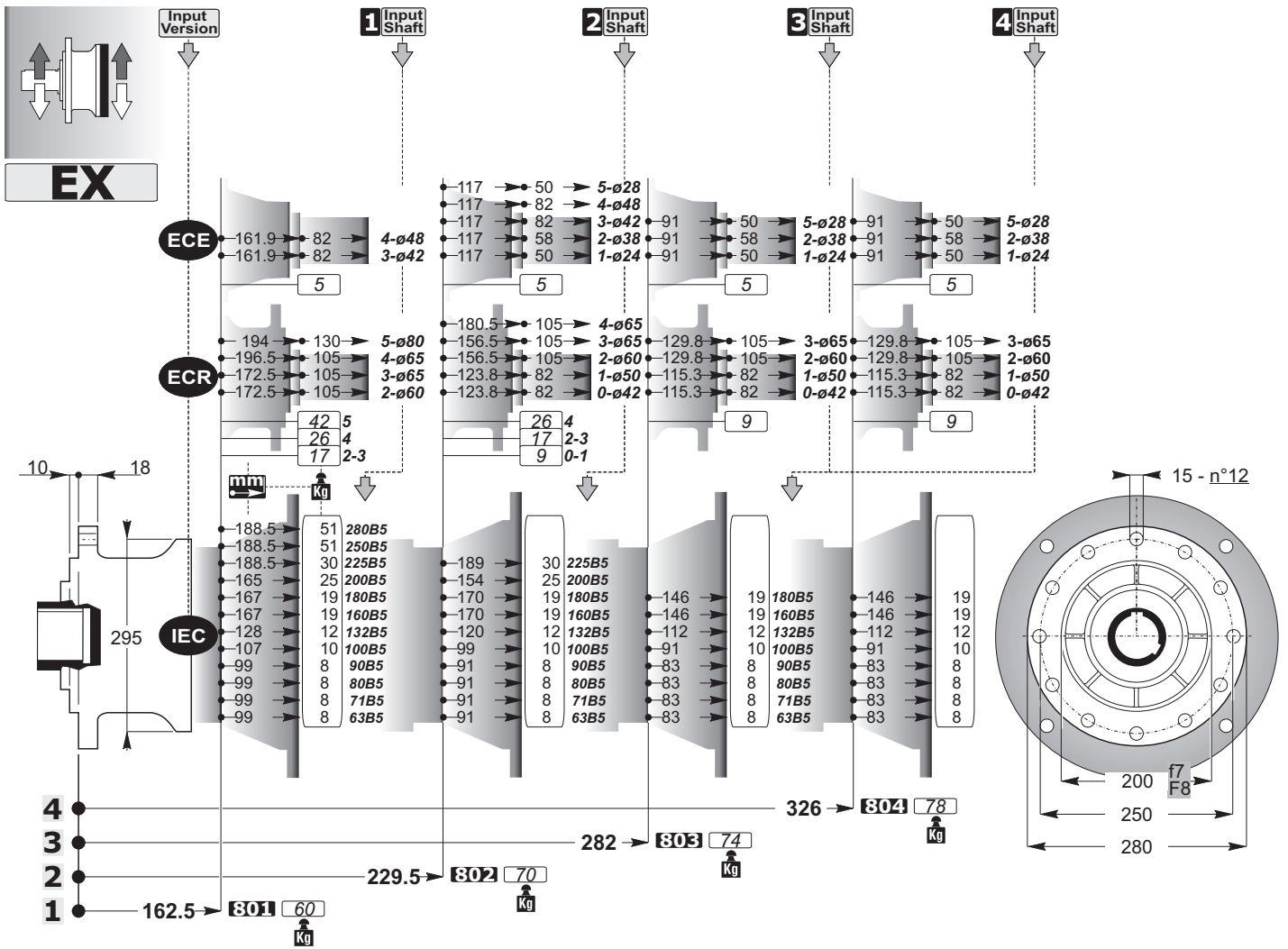


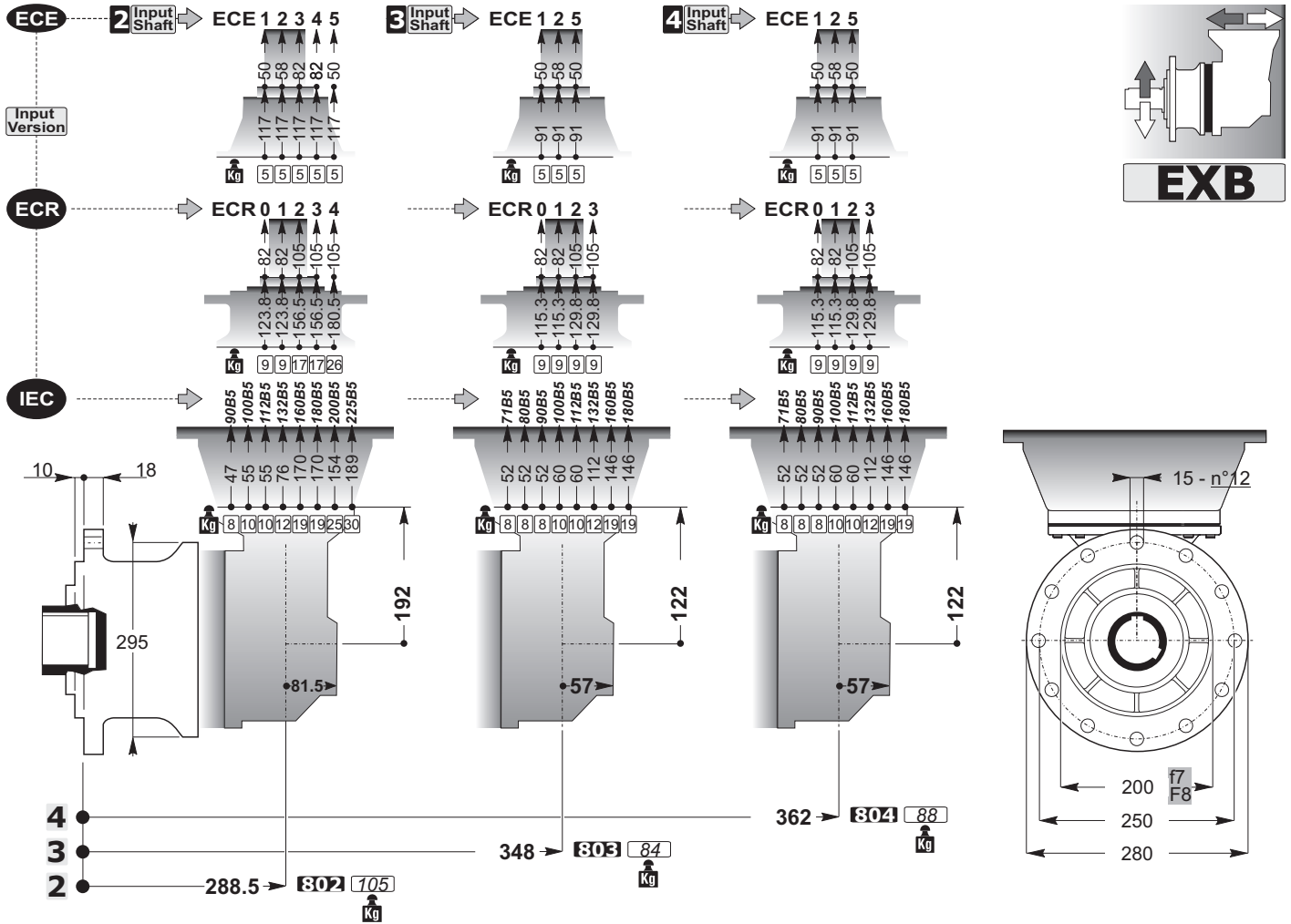
EXB

non disponibile
not available
nicht verfügbar

C

<p>SD</p> 		<p>SD</p>  <p>Accessories</p>





C

EXB

**non disponibile
not available
nicht verfügbar**

C

