



ECE

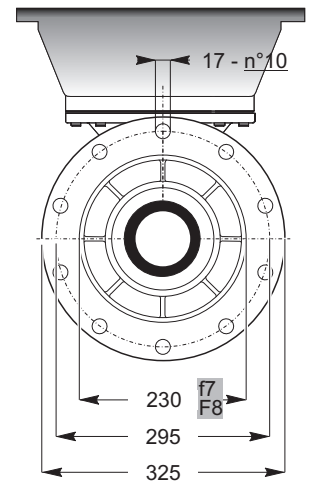
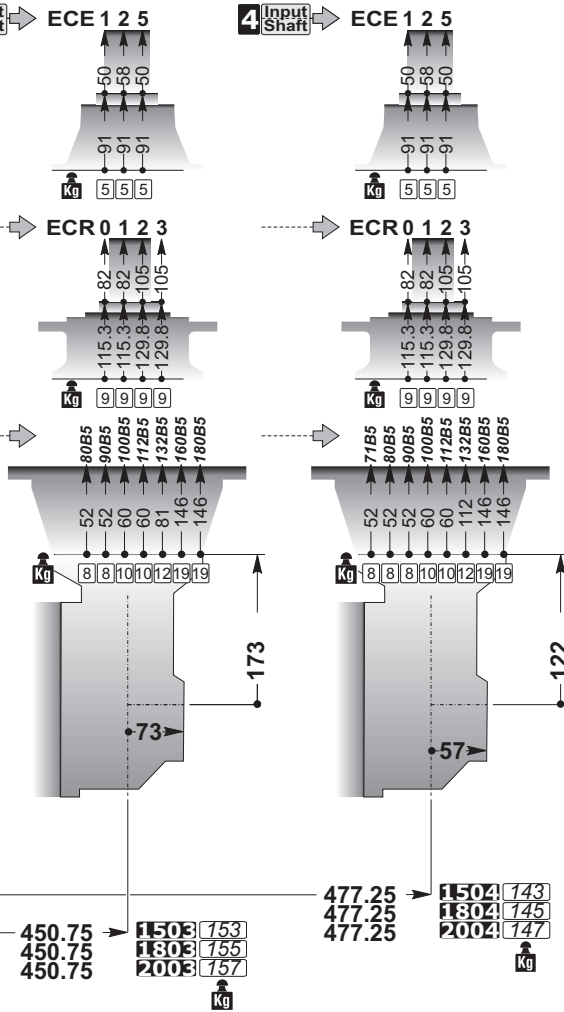
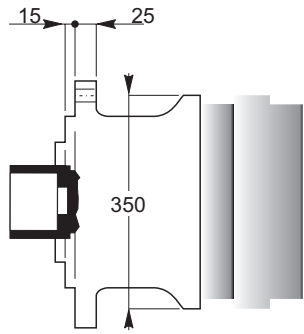
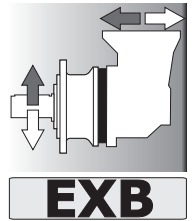
3 Input Shaft

4 Input Shaft

Input Version

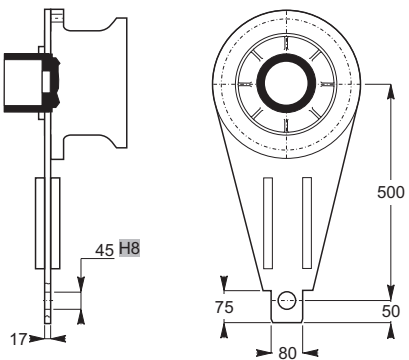
ECR

IEC

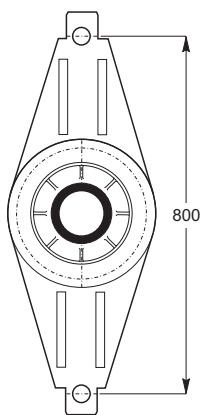


C

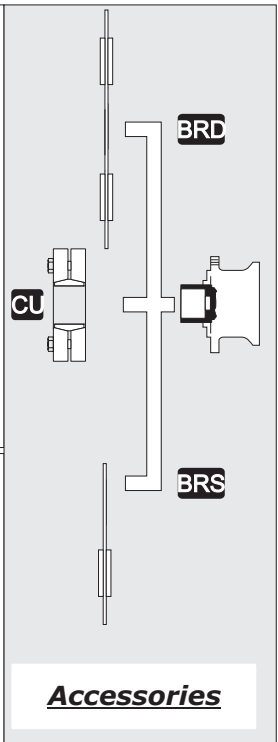
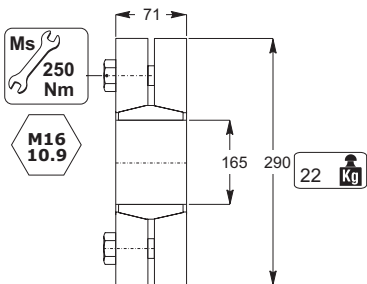
BRS



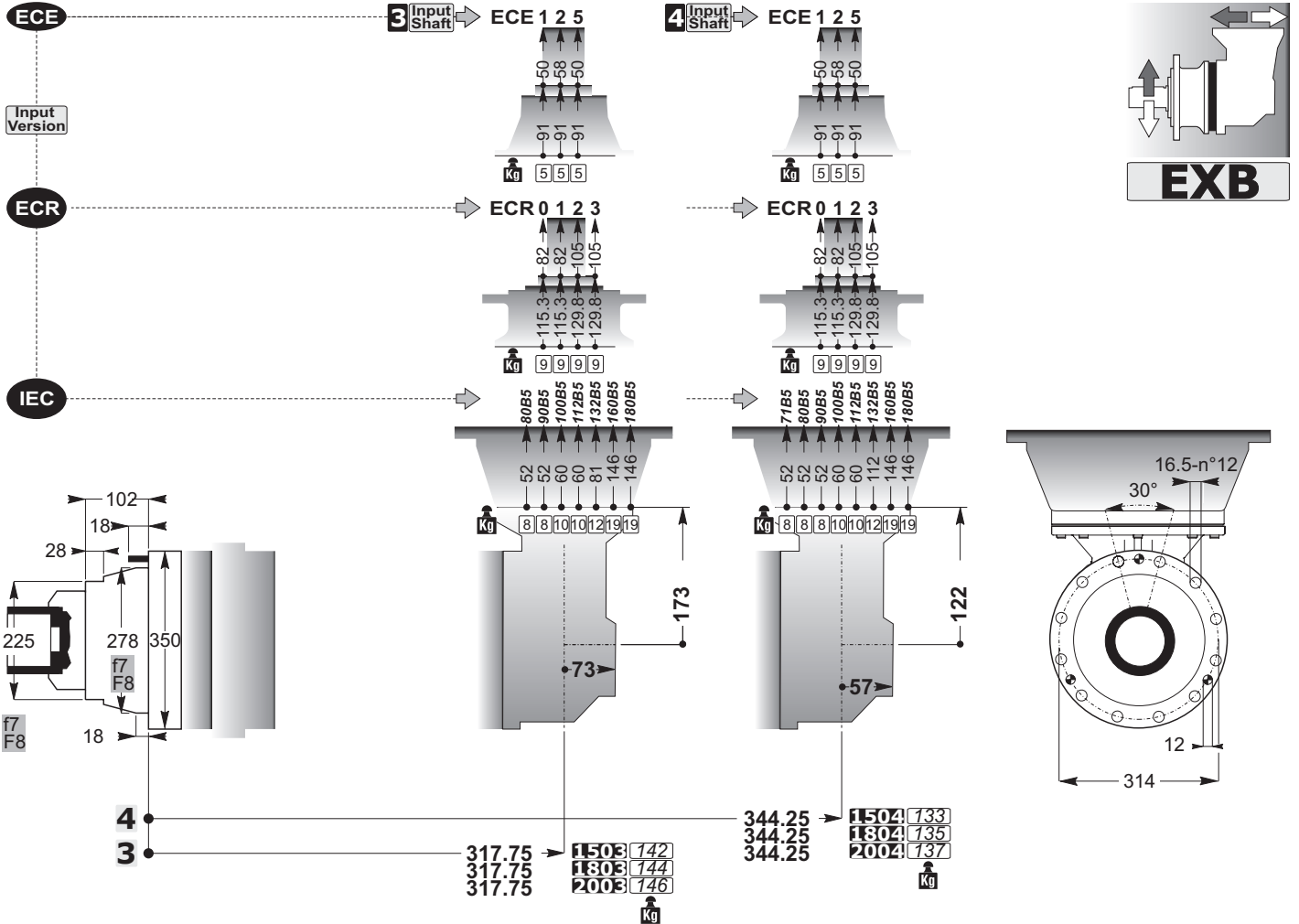
BRD



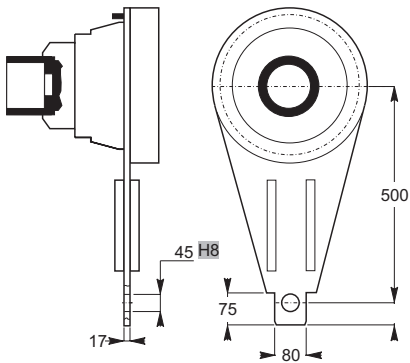
CU



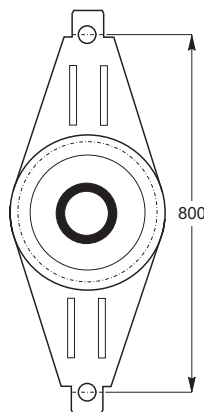




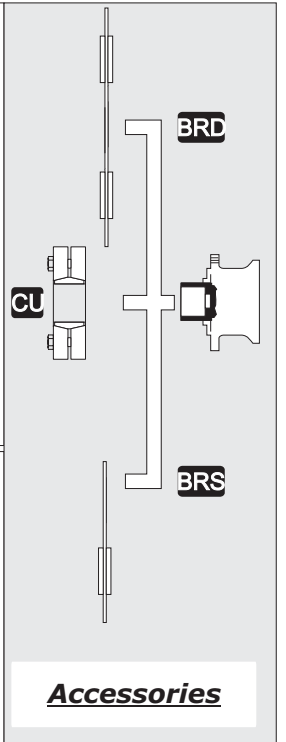
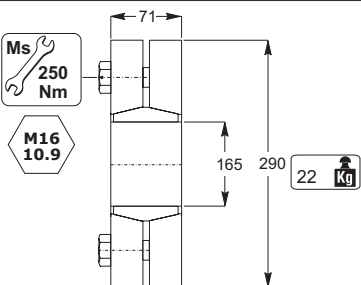
**BRS**



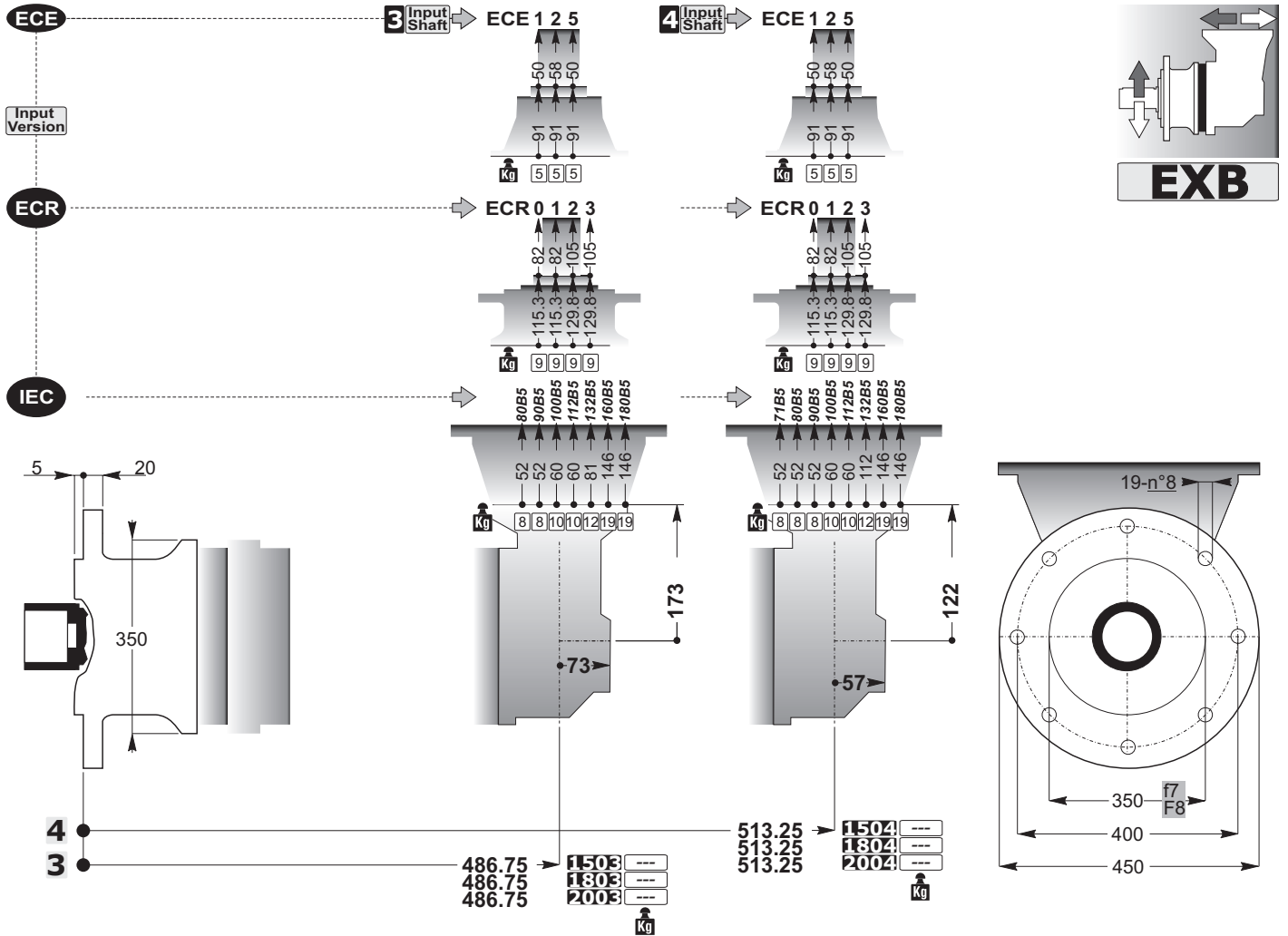
**BRD**



**CU**







BRS

BRD

CU

