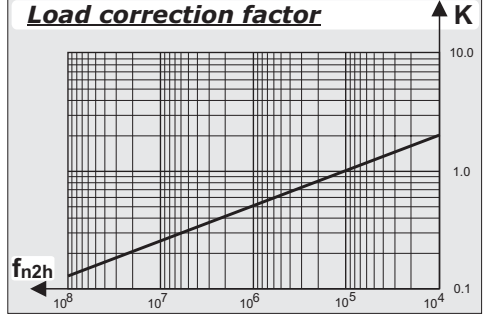
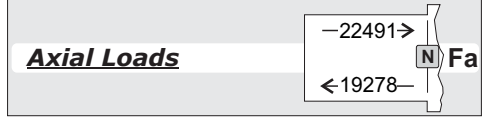
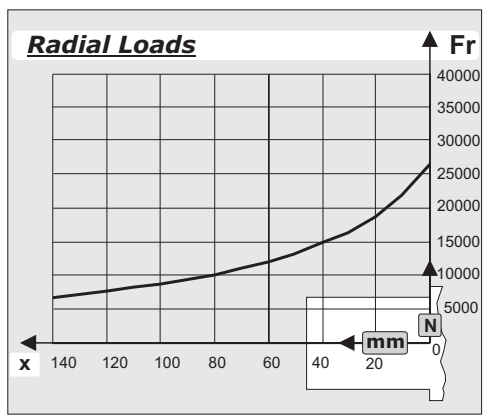
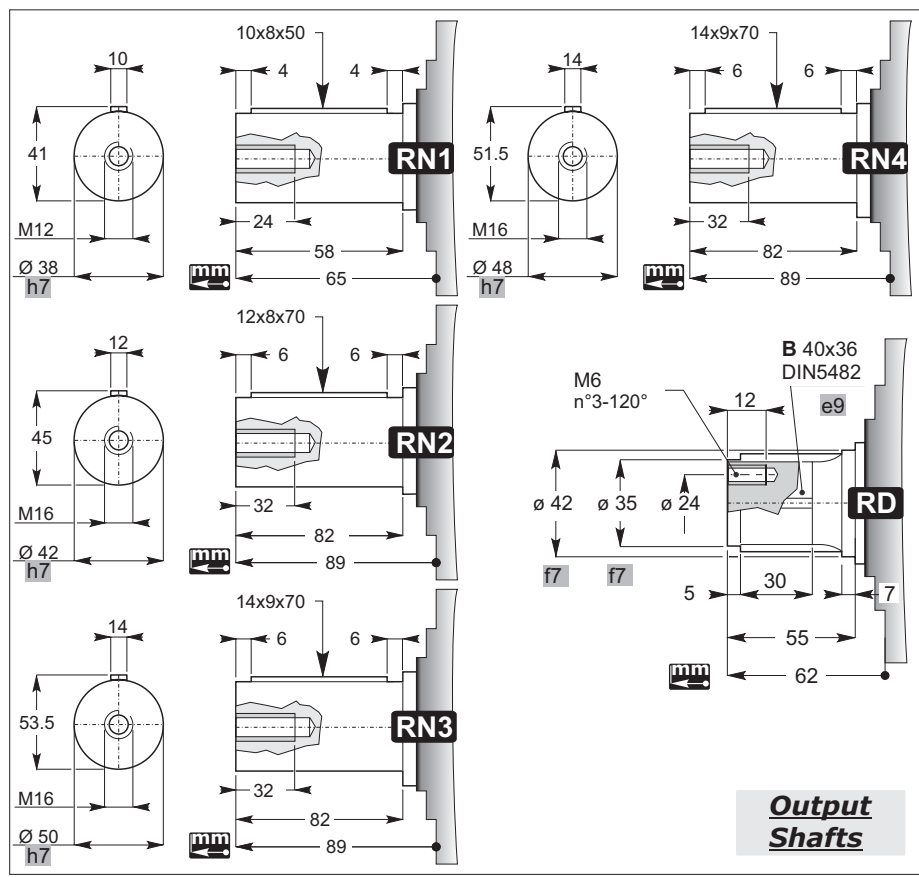
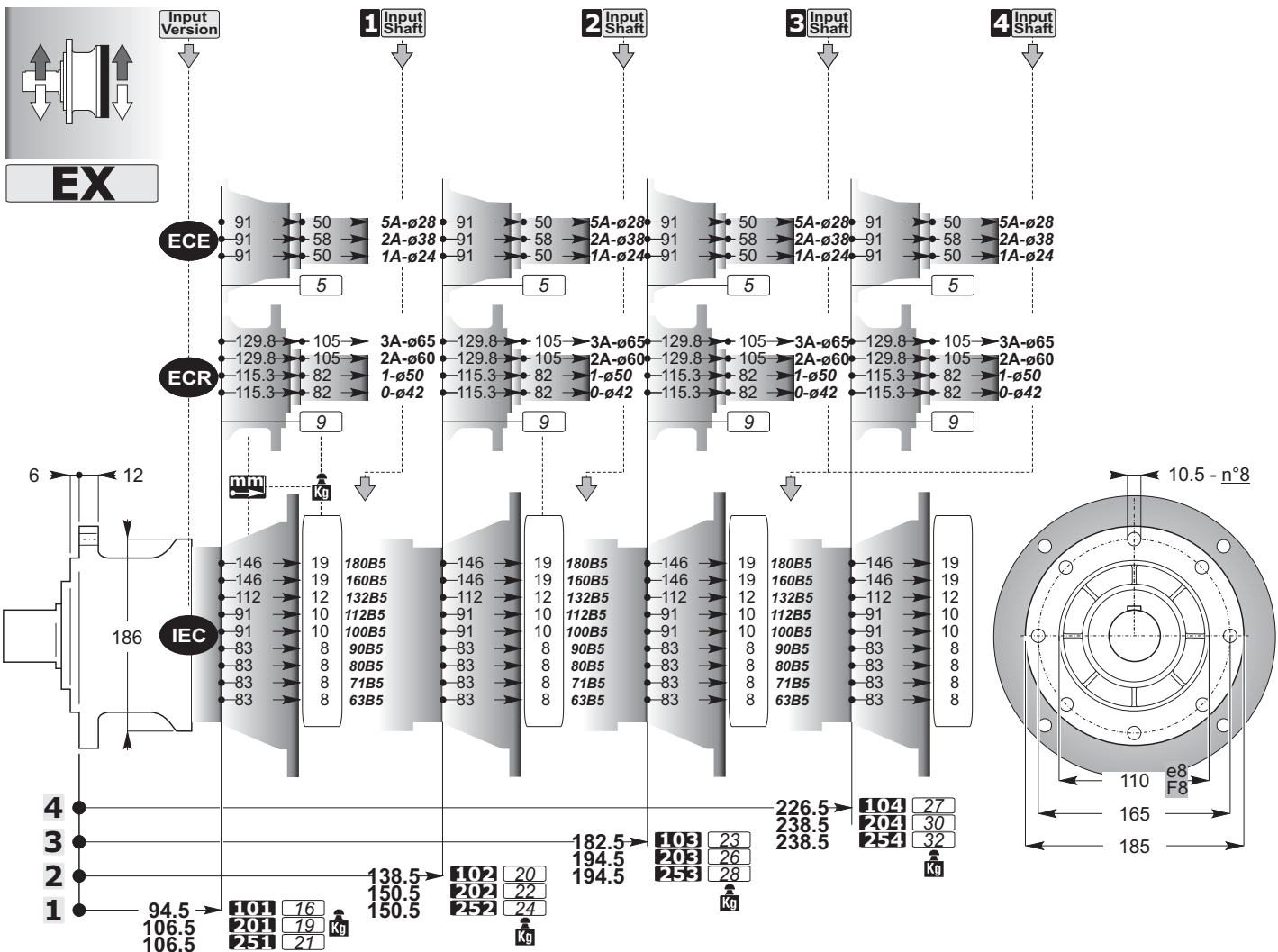
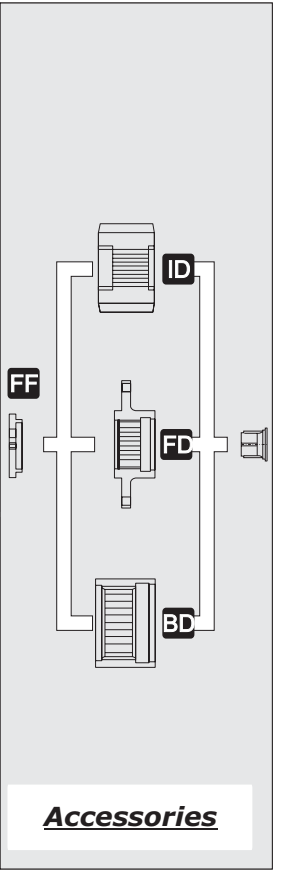
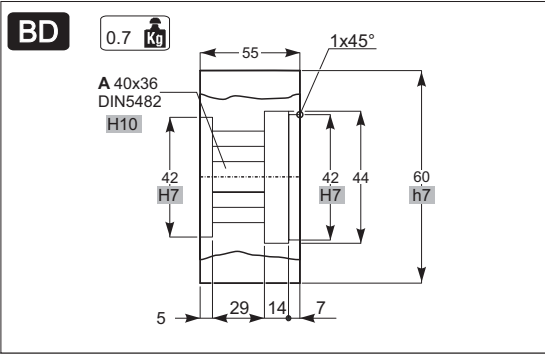
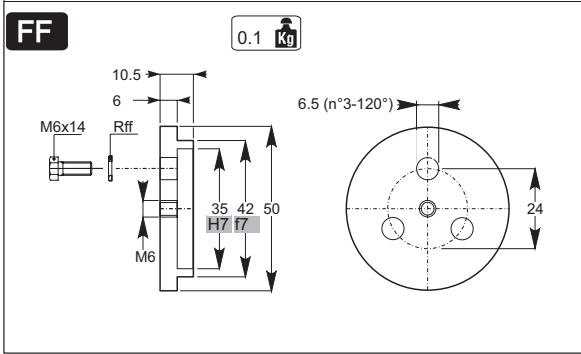
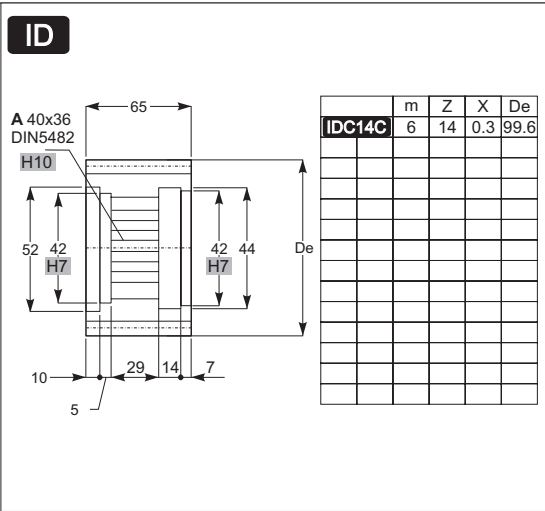
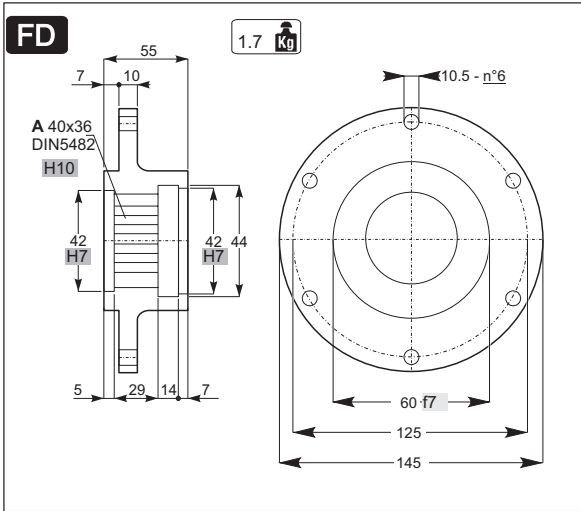
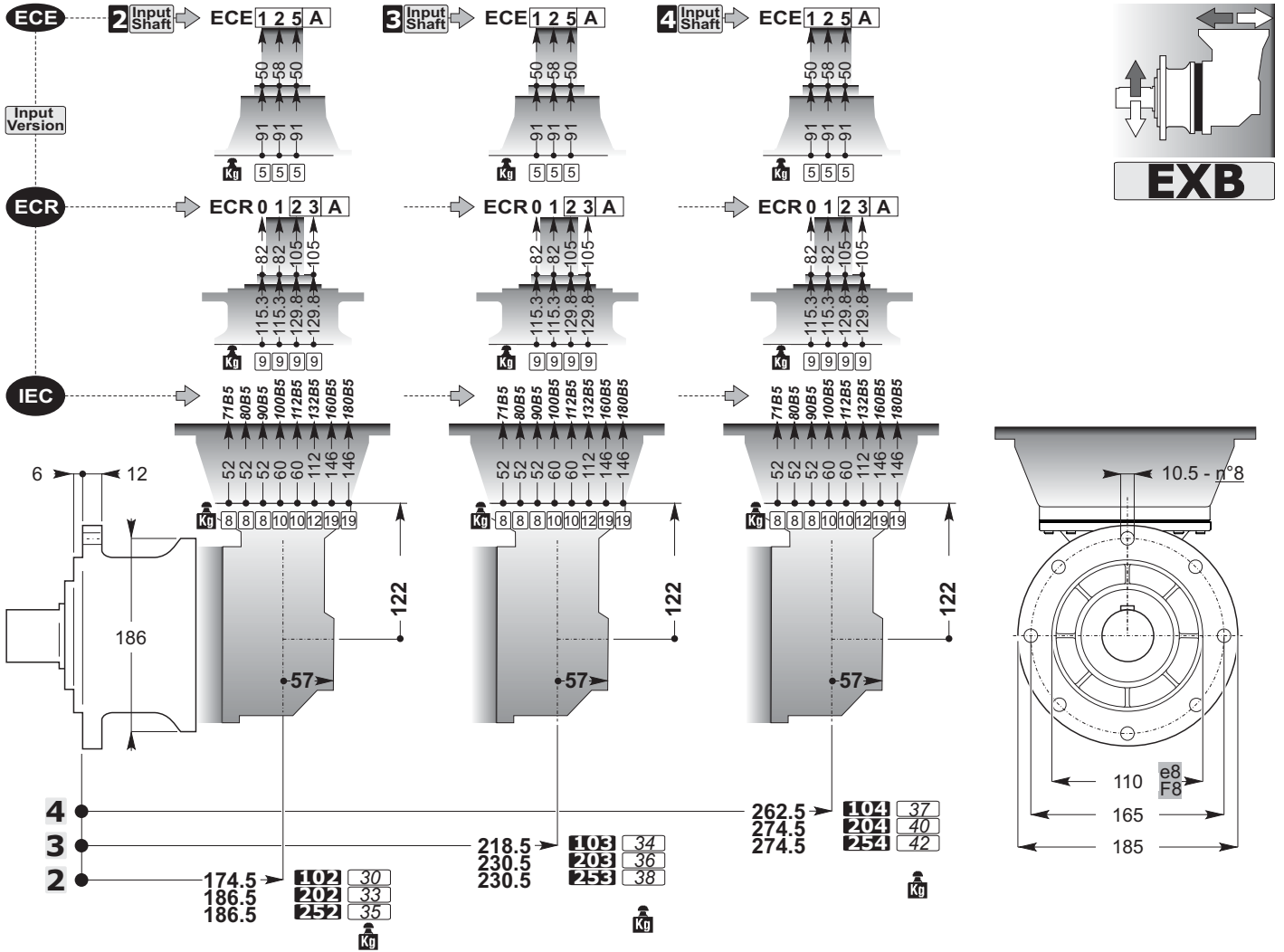


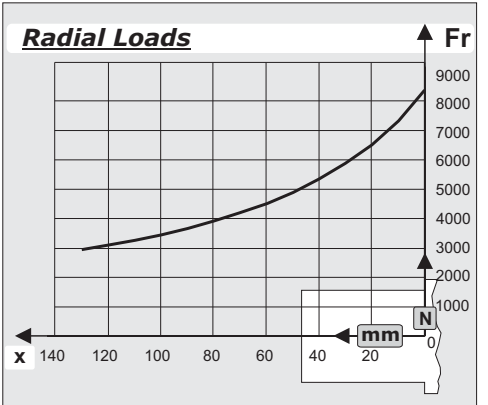
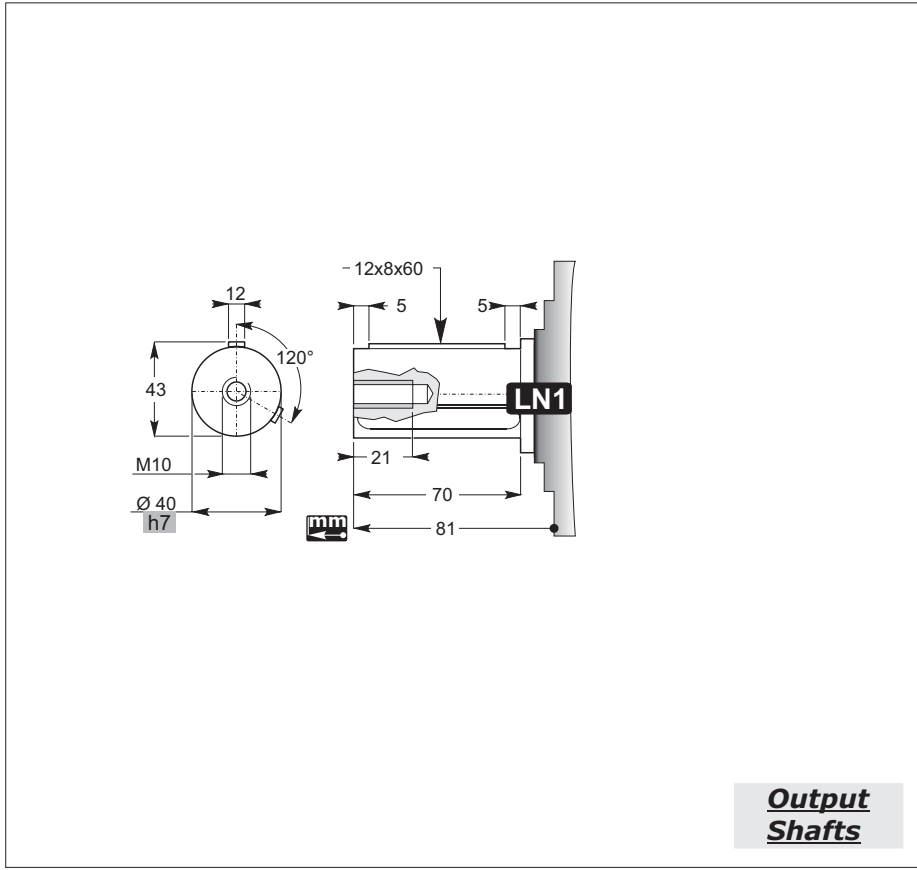
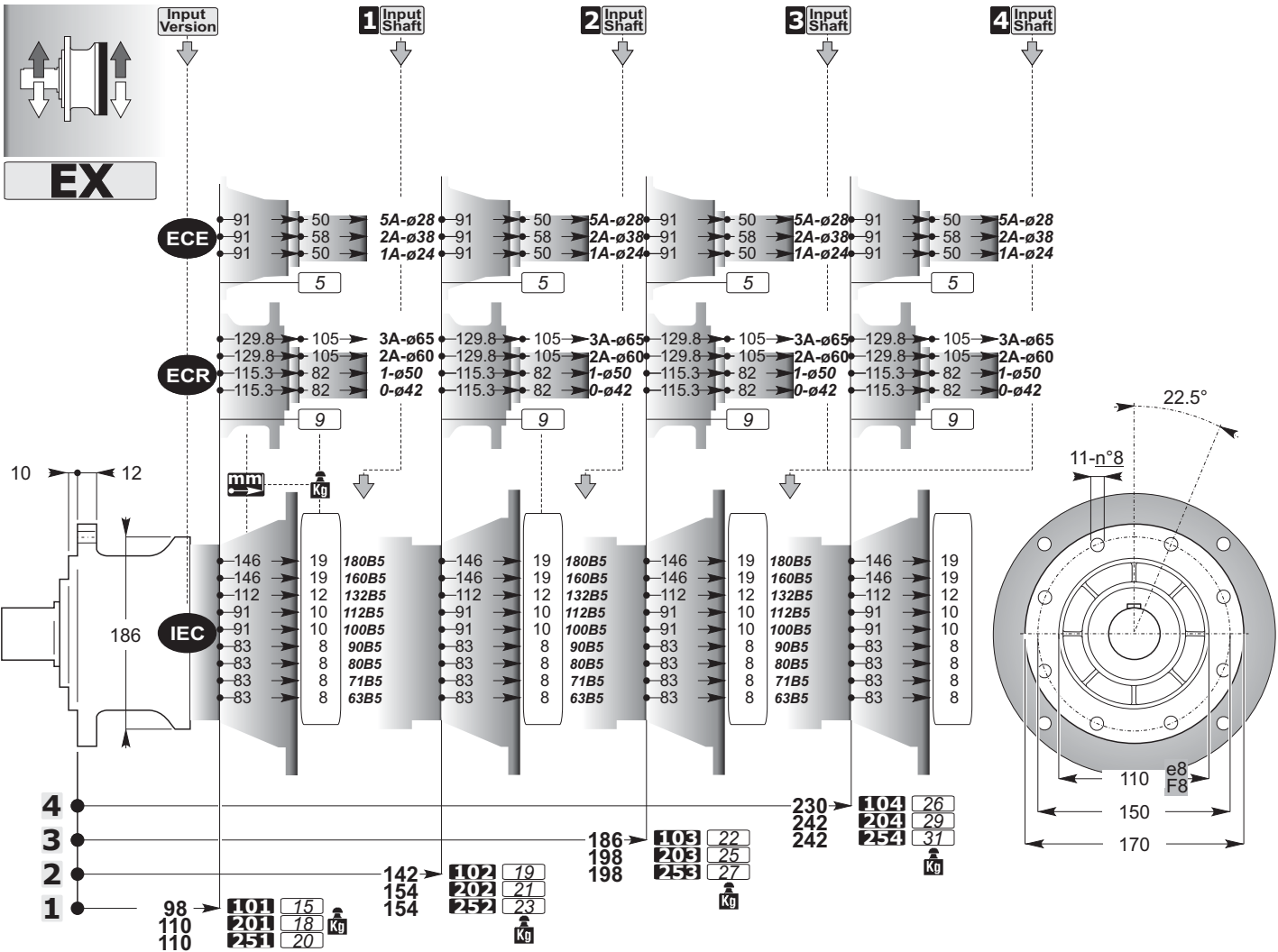
25 20 10	70 50 40 35 30	80	100 95 90	200 180 150	280 250	300	350	360 420	650 600	850 800	1200 1000	2000 1600 1500	3200 3100 3000 2600 2500	4500 3700	5500	8000 7500 6800	STW 2000	C	STW 2000	
ø38-ø40 ø42 ø50 ø48	ø60 ø65 ø50	ø80	ø90 ø100	ø90 ø100														RN1-LN1 RN2 RN3 RN4		 N - Male keyed shaft D - Male spined shaft Q - Male square shaft FD - Drivewheel flange
B40x36	B58x53	B70x64	B80x74	B80x74														RD		
ø60 ø65 ø50	ø60 ø65	ø80	ø90															MN1 MN2-LN2 MN3 MXN1 MXN2		
B58x53	B58x53	B70x64	B80x74															MXD MD-LD		
ø38 ø42 ø50 ø48	ø60 ø65 ø50	ø80	ø90 ø100	ø90 ø100	ø110	ø120												TN1 TN2 TN3 TN4		
B40x36	B58x53	B70x64	B80x74	B80x74	B100x94	W120x3												TD		
			ø90 ø100	ø110	ø120													HN1 HN2 XN1 XN2		
			ø100 ø110 ø140	ø110	ø120													XD HD		
				ø120 ø140	ø120 ø140													SN1 SN2 SBN1 SBN2		
				ø120 ø140	ø120 ø140													SBD SD		
				W120x3 W120x3	W120x3 W120x3													SQ		
																		Only 7500-8000		
																		SFD		
ø38 ø42 ø50 ø48	ø60 ø65	ø80	ø90	ø90 ø100														PN1 PN2 PN3 PN4		
B40x36	B58x53	B70x64	B80x74	B80x74														PD		
			ø90 ø100	ø110	ø120													PHN1 PHN2 PXN1 PXN2		
			ø100															PSN1 PSN2 PSBN1 PSBN2		
				ø120 ø140	ø120 ø140													PHD PXD PSD PSBD		
				B80x74 B100x94 B100x94	B100x94 W120x3														N - Male keyed shaft D - Male spined shaft	
				W120x3 W120x3	W120x3 W120x3															

25 20 10	70 50 40 35 30	80	100 95 90	200 180 150	280 250	300	350	360 420	650 600	850 800	1200 1000	2000 1600 1500	3200 3100 3000 2600 2500	4500 3700	5500	8000 7500 6800	STW 2000	C	STW 2000	
ø35	ø50	ø65	ø75															FC		 C - keyed shaft (CD) - Spined shaft
	ø65	ø80	ø90	ø100	ø110													FCB		
A40x36	A58x53	A70x64	A80x74															F		 (CD) - Spined shaft
	A58x53																	FP		
A40x36	A58x53	A70x64	A80x74	A80x74	A100x94	N120x5	N120x3											FS		
								N140x5	N150x5	N170x5	N200x5	N210x5	N240x5	N280x8	N300x8	N340x8		FSB		
								N120x3	N140x5	N150x5	N170x5	N200x5	N210x5	N240x5	N280x8	N300x8	N340x8		FSR	
		A70x64	A70x74															FB		
ø50	ø75	ø90	ø100	ø120														FU		 U - Shrink disc
			ø120	ø130	ø135													TU		
			ø120	ø130	ø135													HU		
				ø145	ø145	ø165	ø180	ø220	ø240	ø260	ø290	ø310	ø350					SU		





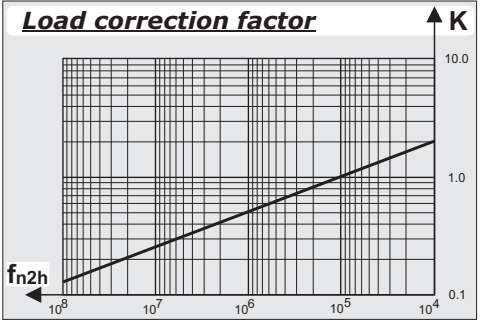


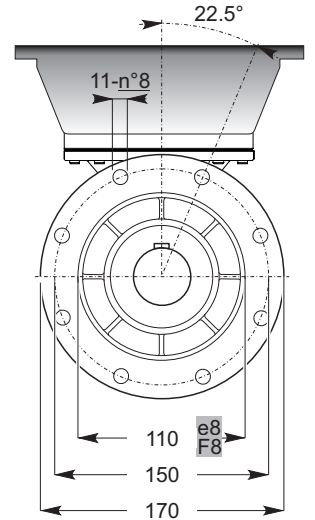
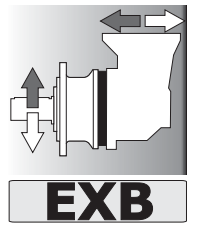
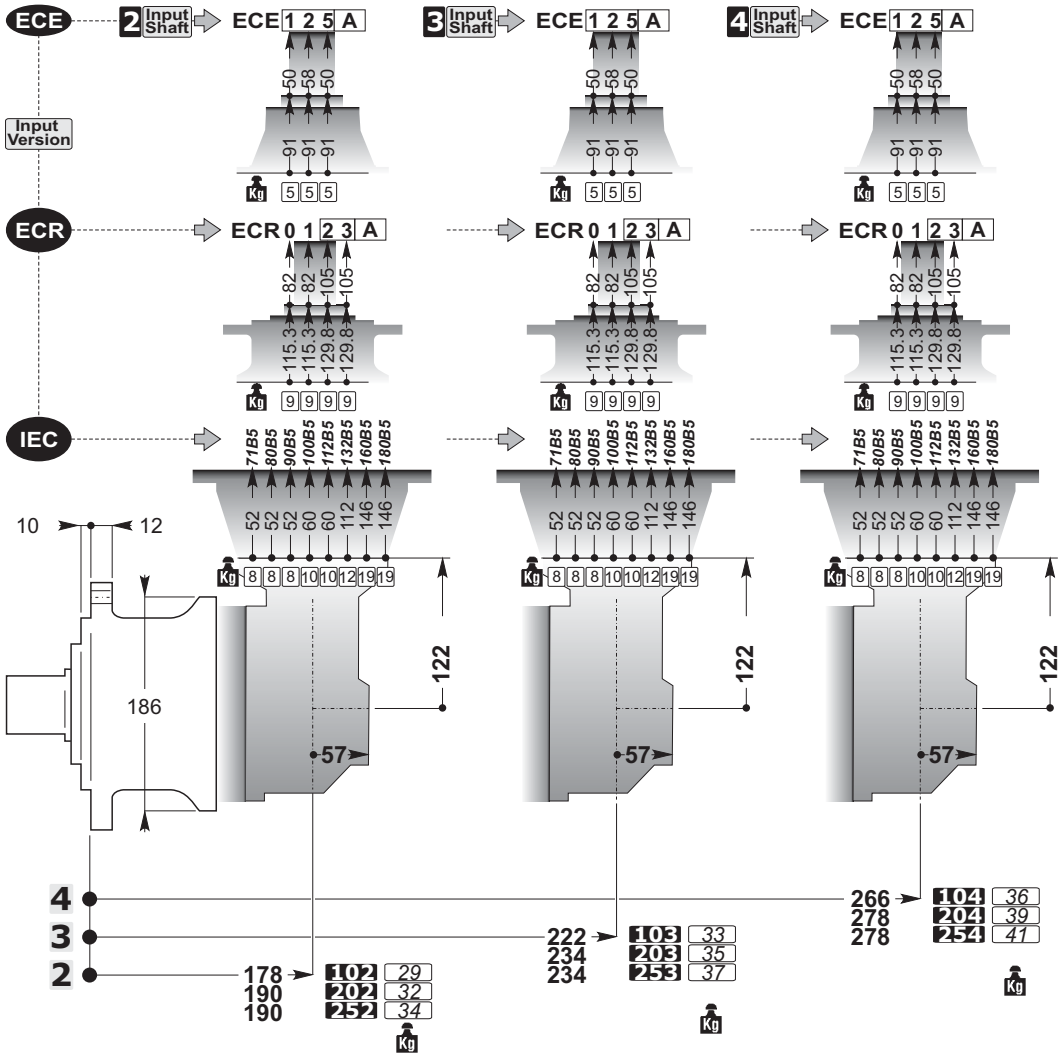


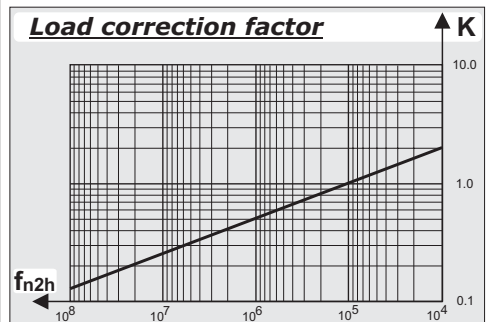
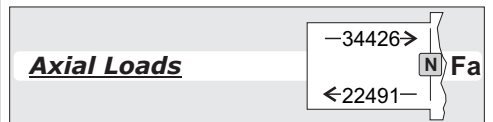
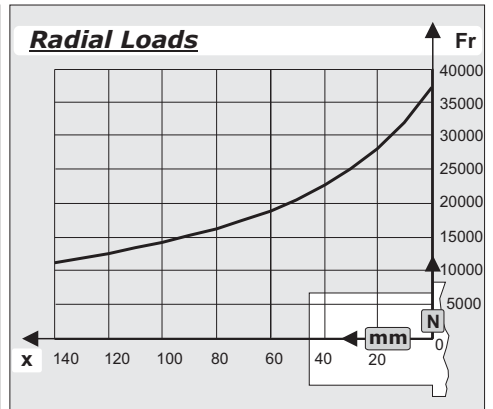
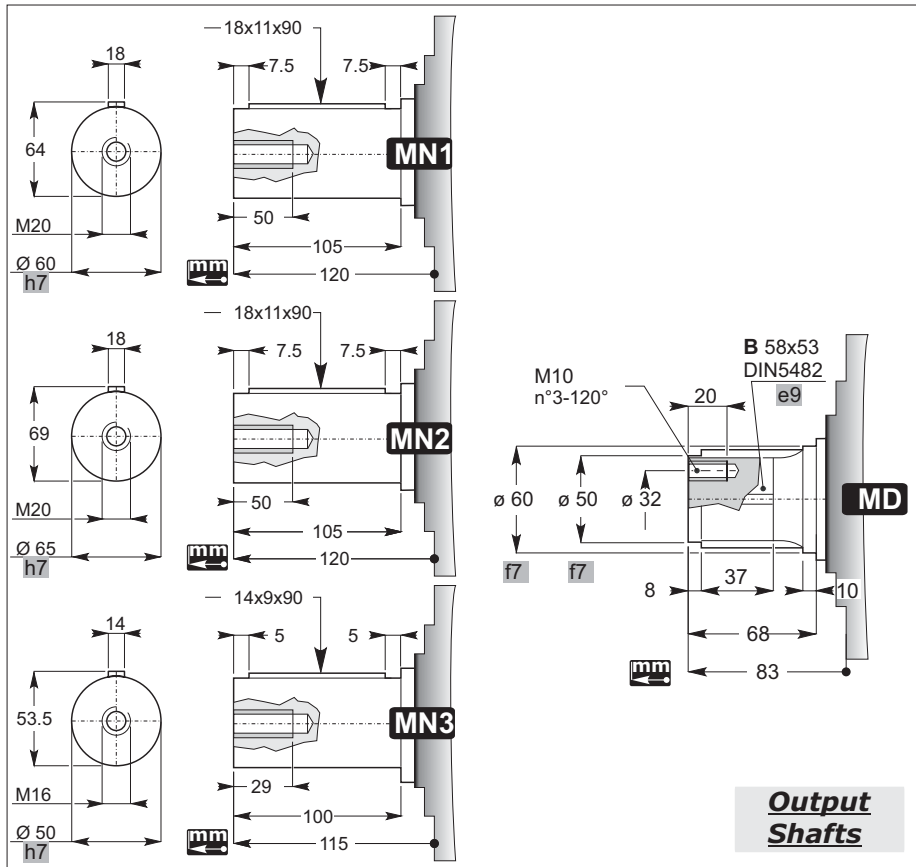
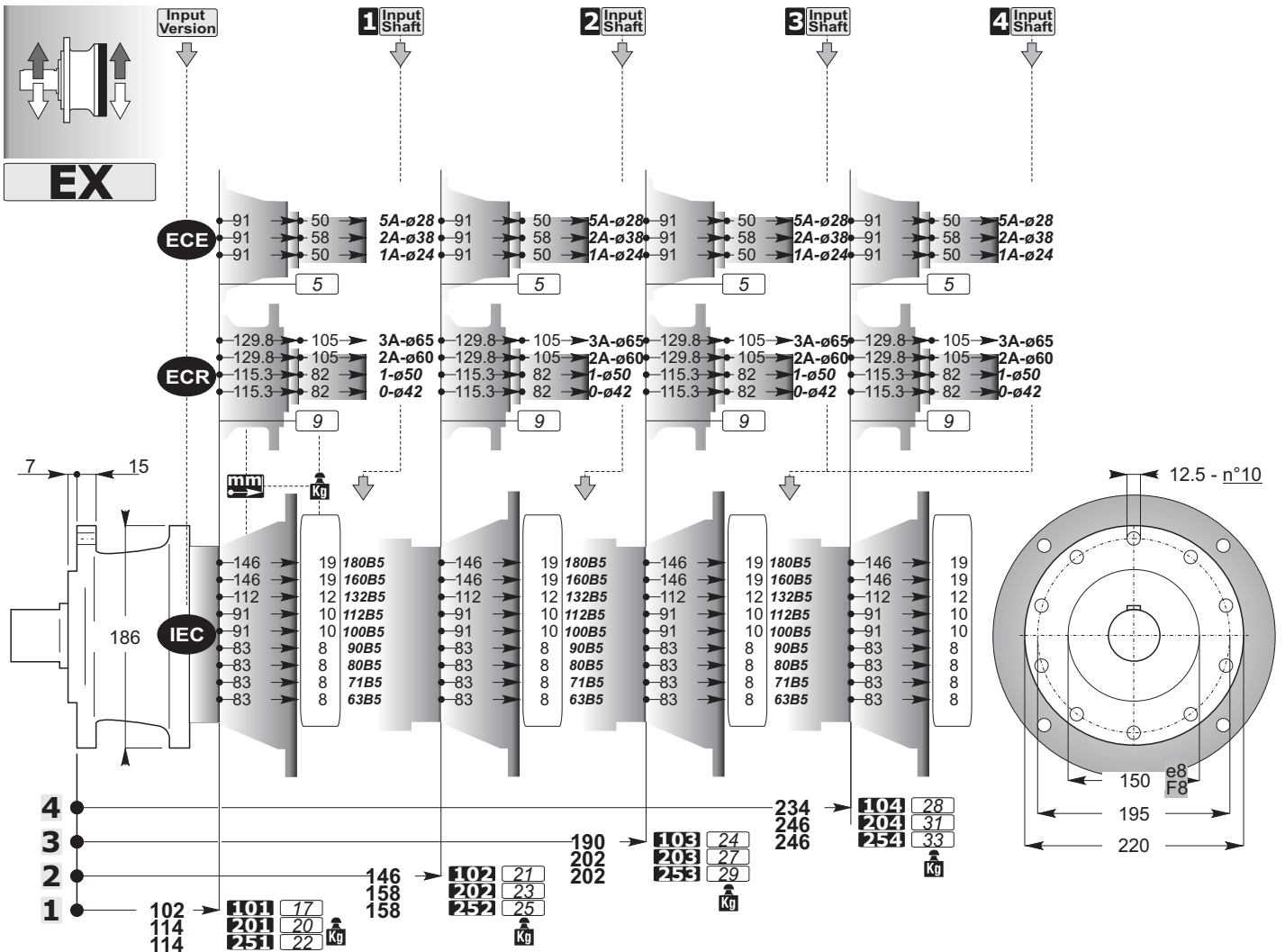
Axial Loads

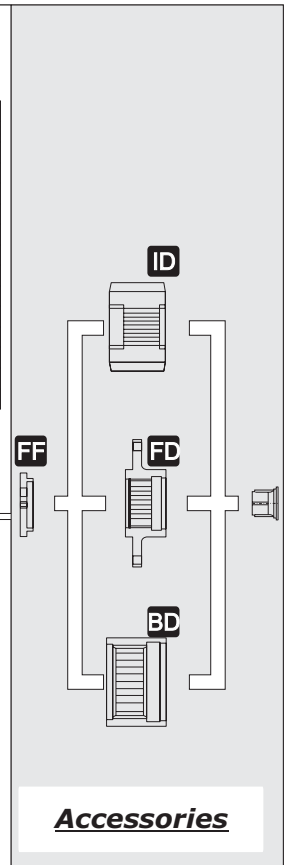
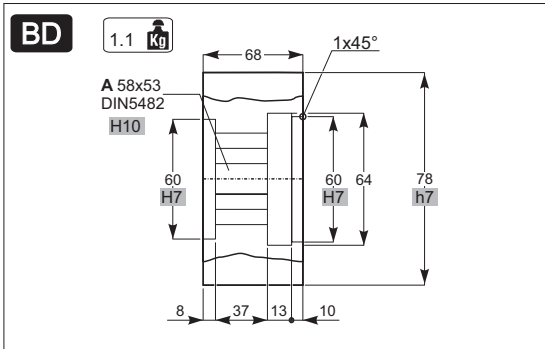
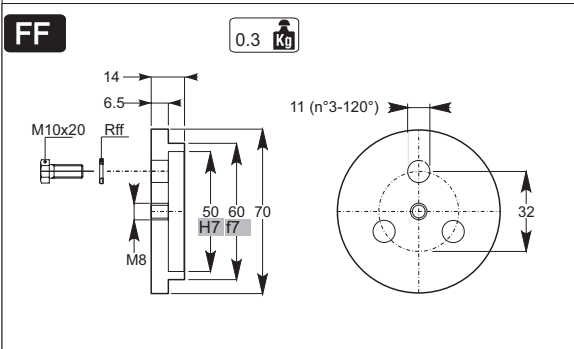
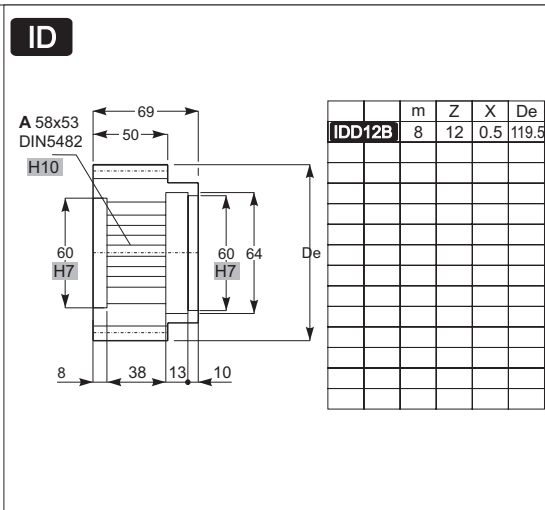
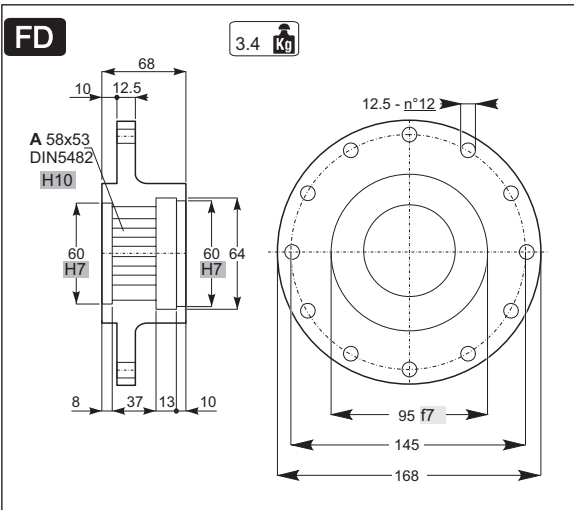
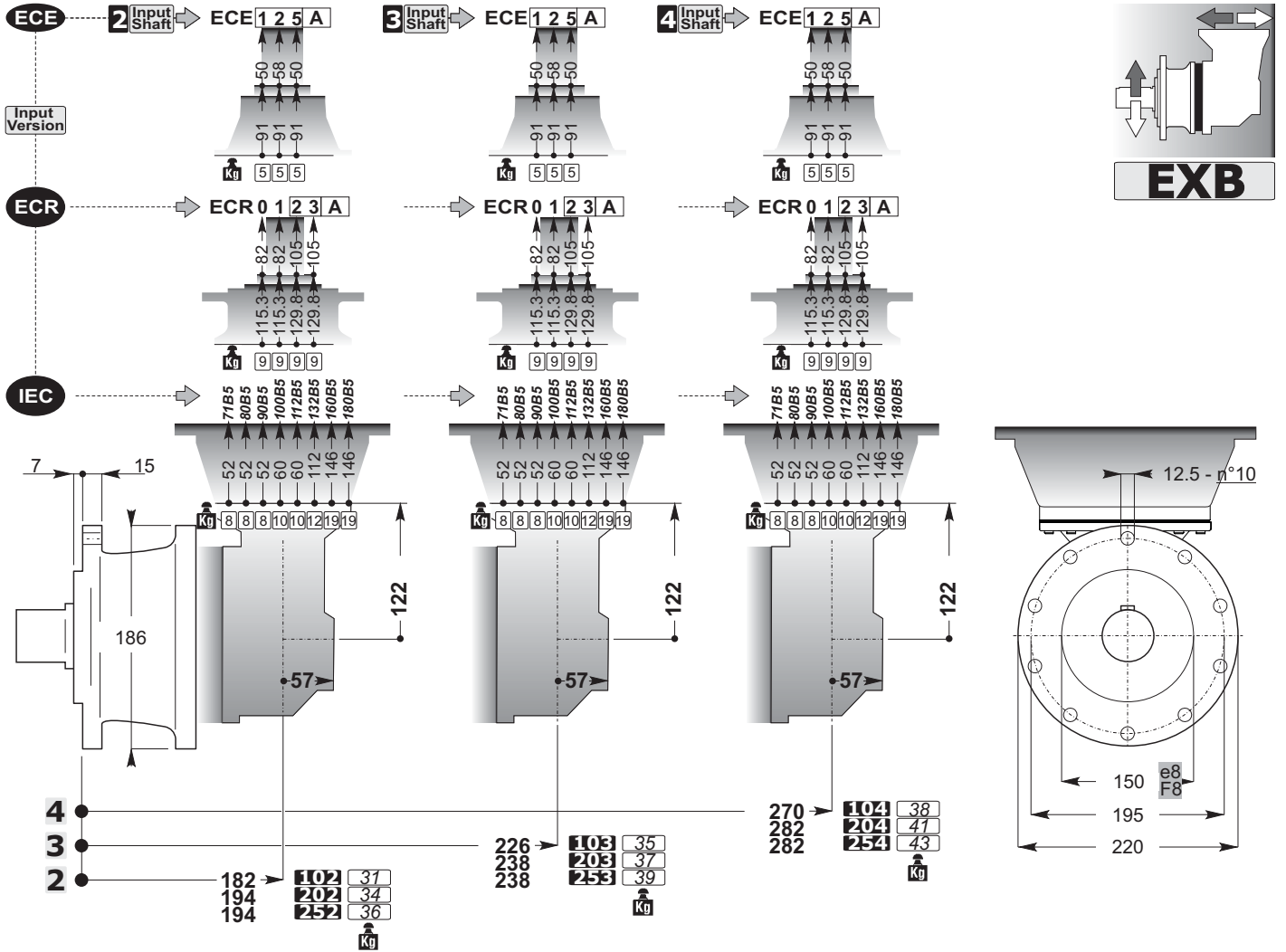
On request → **N** **Fa**

← On request

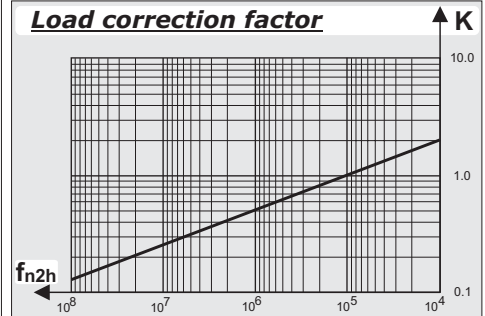
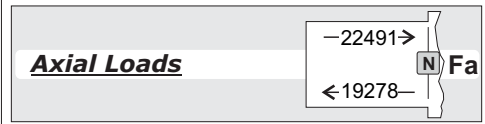
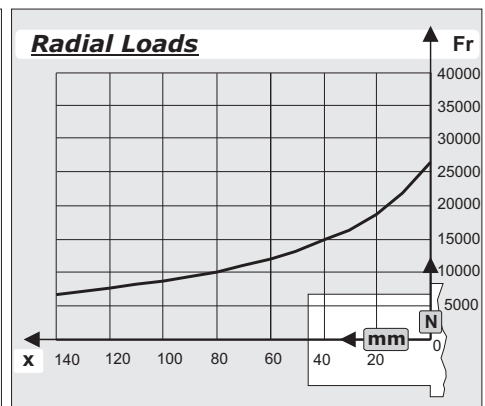
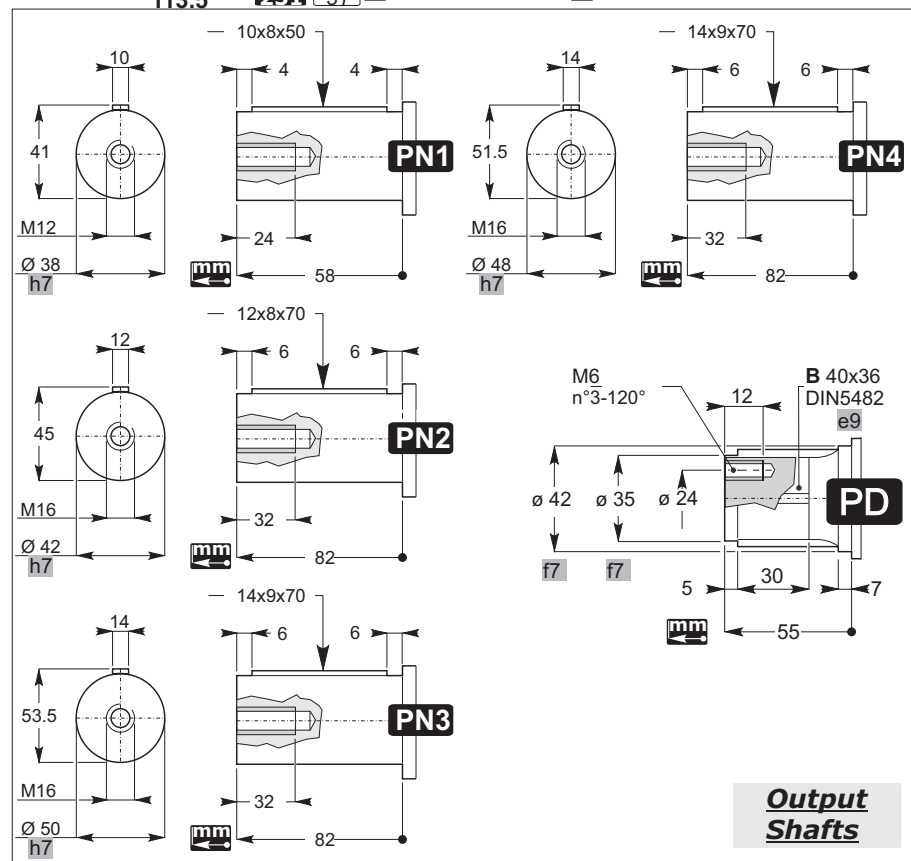
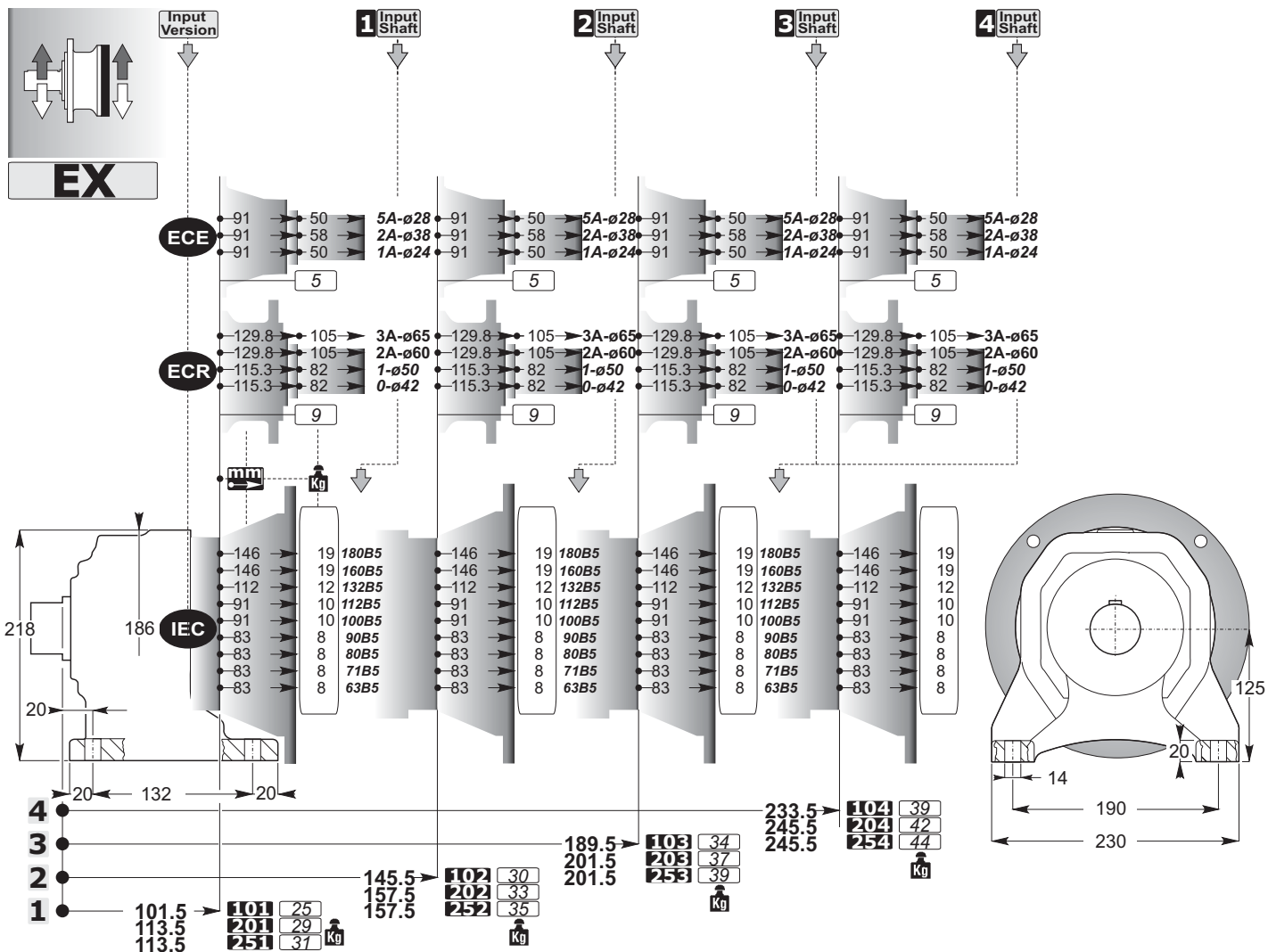


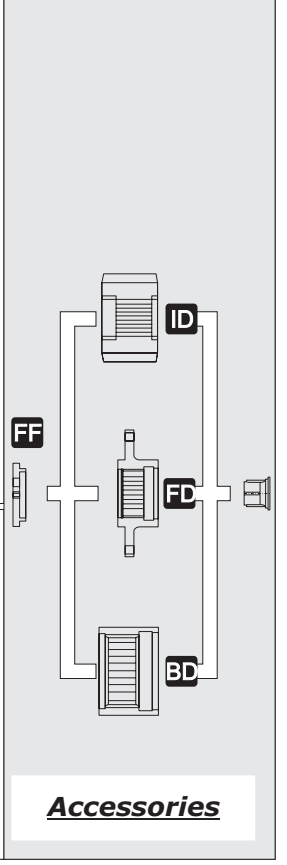
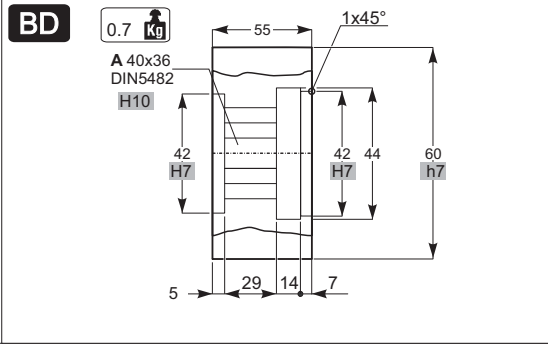
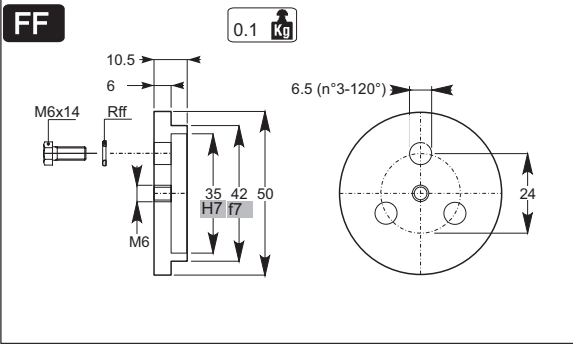
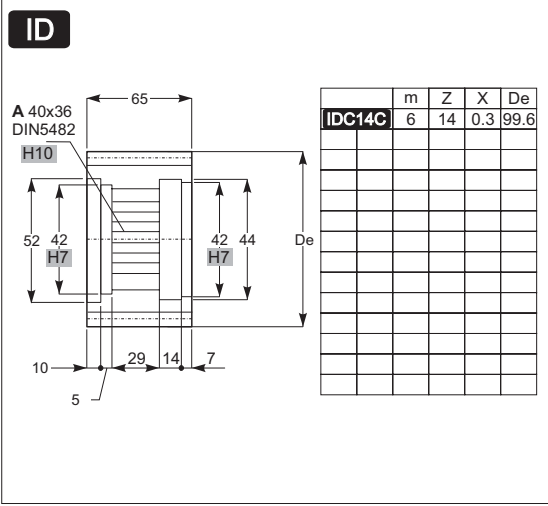
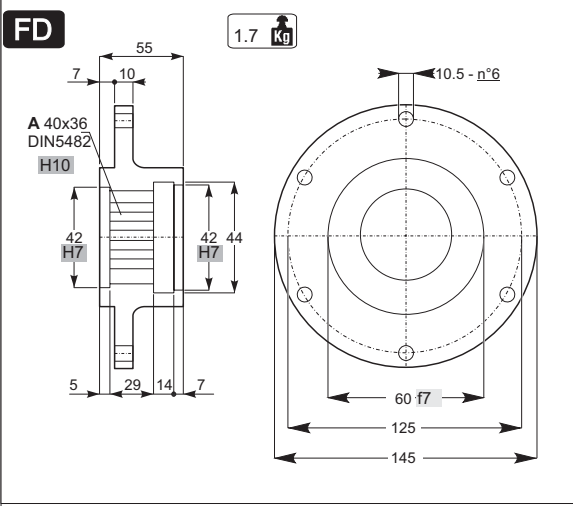
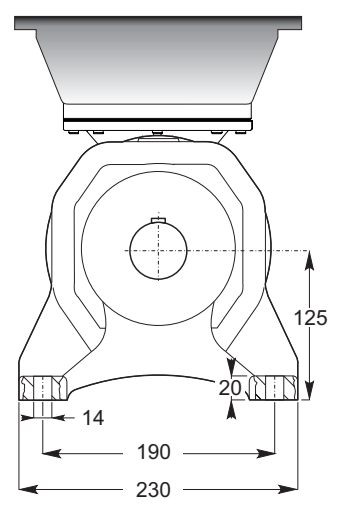
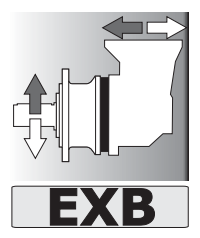
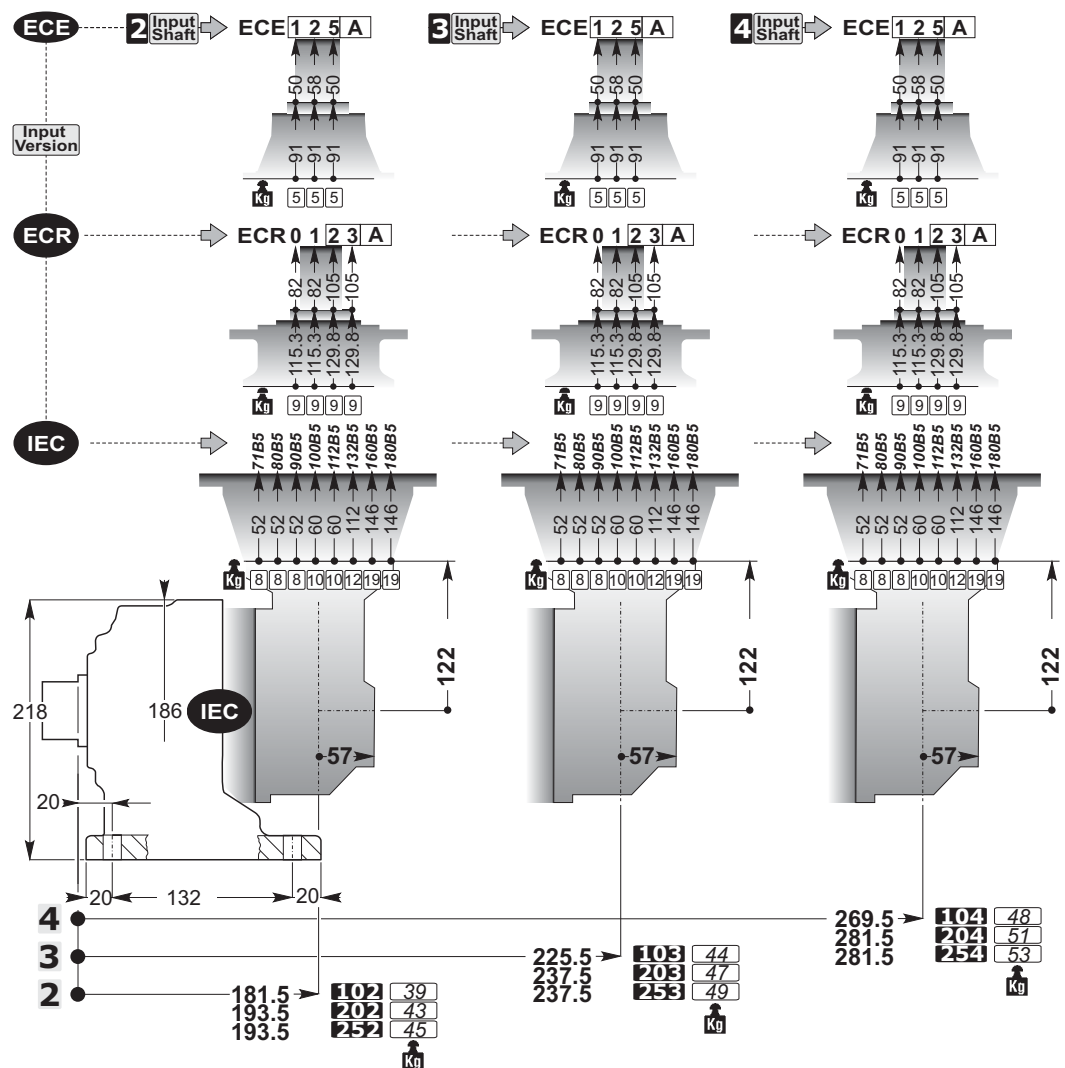




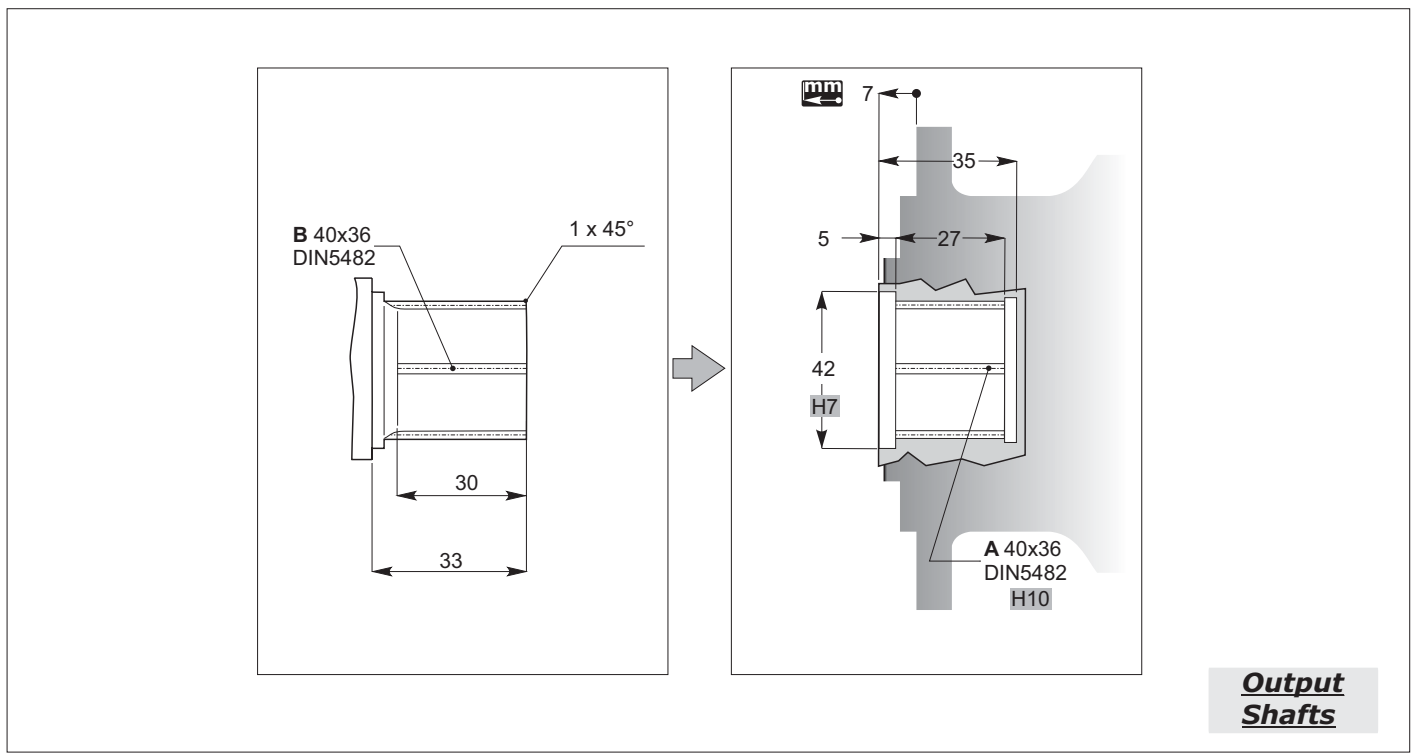
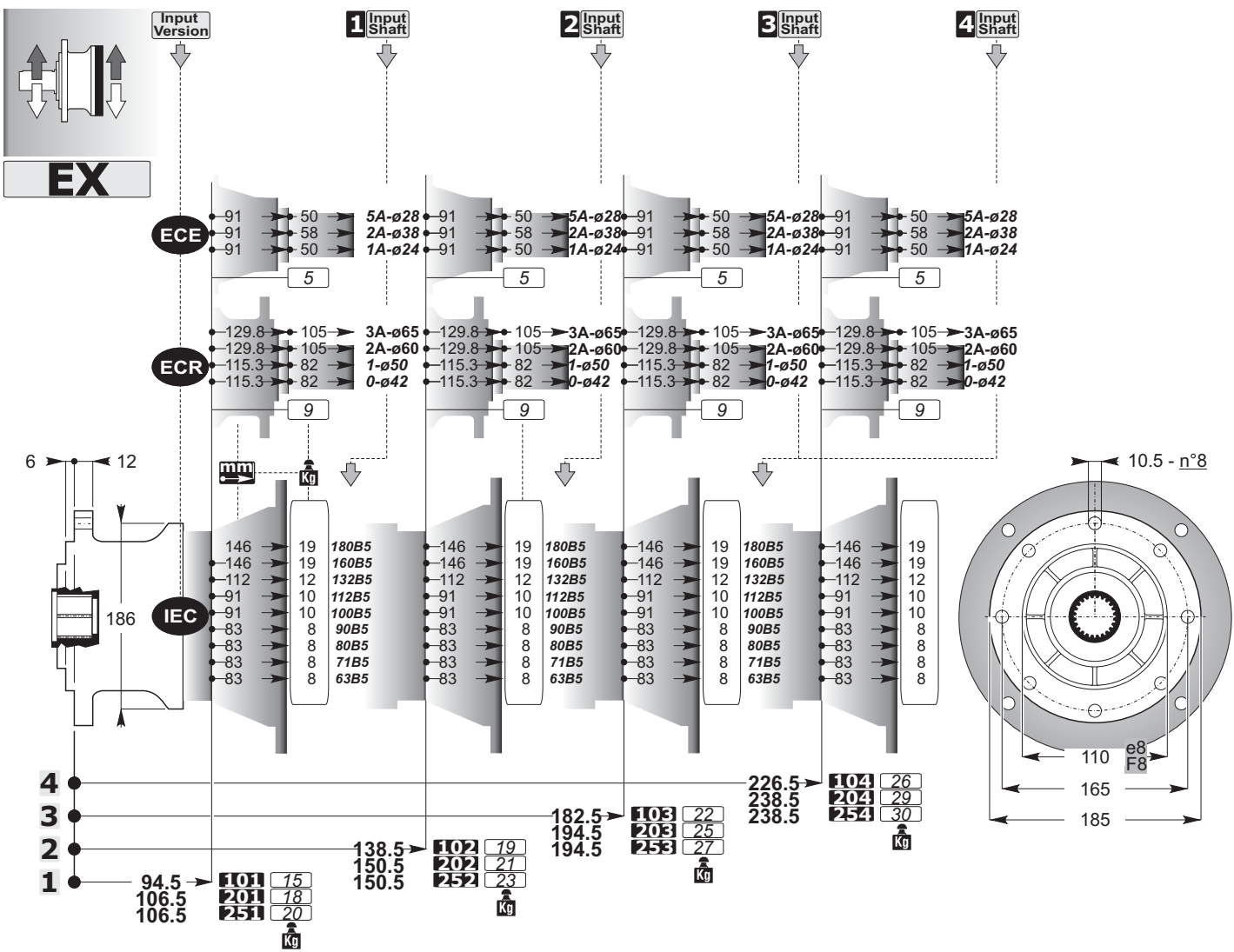


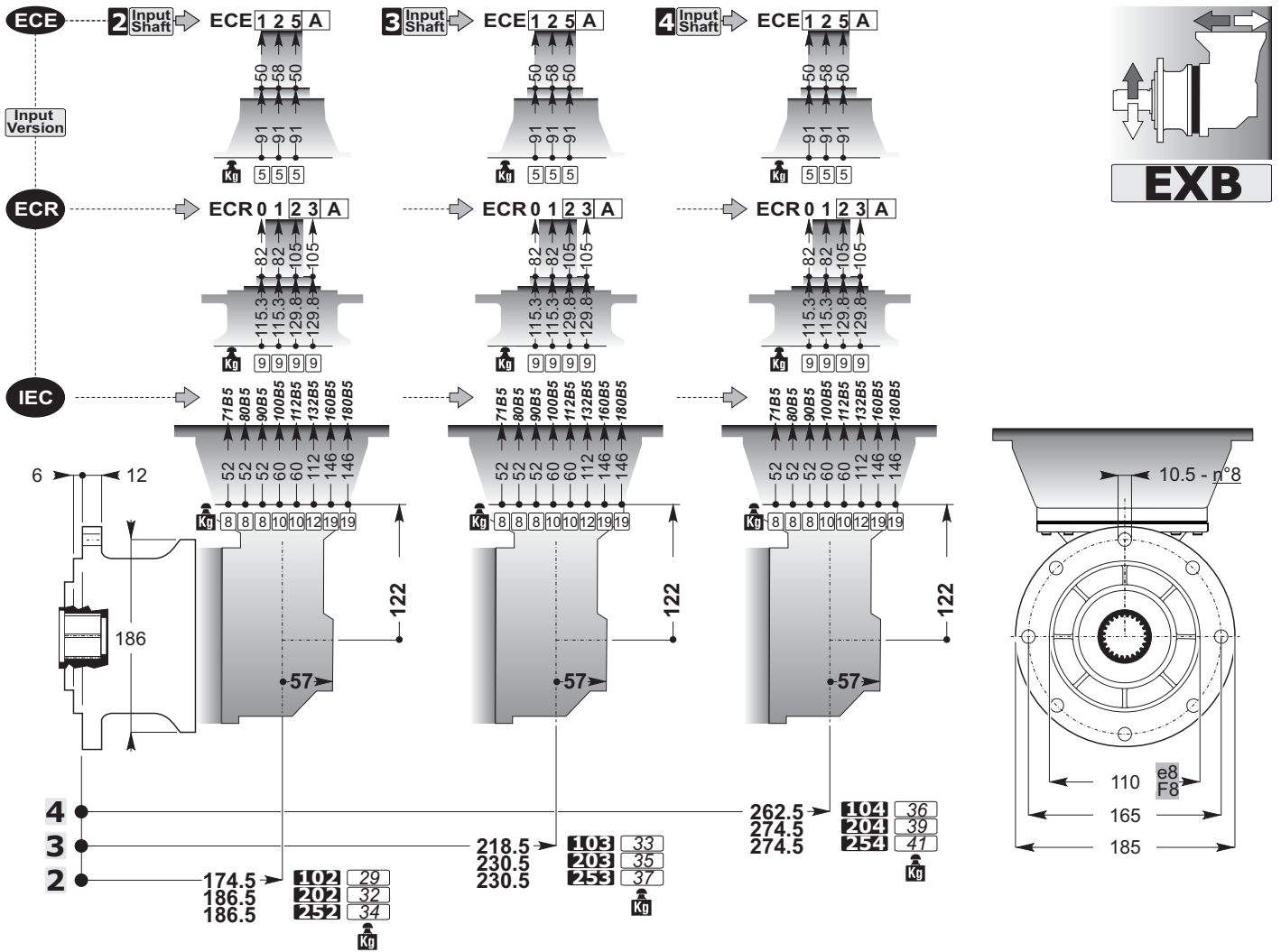
mm
C





mm
C





SD

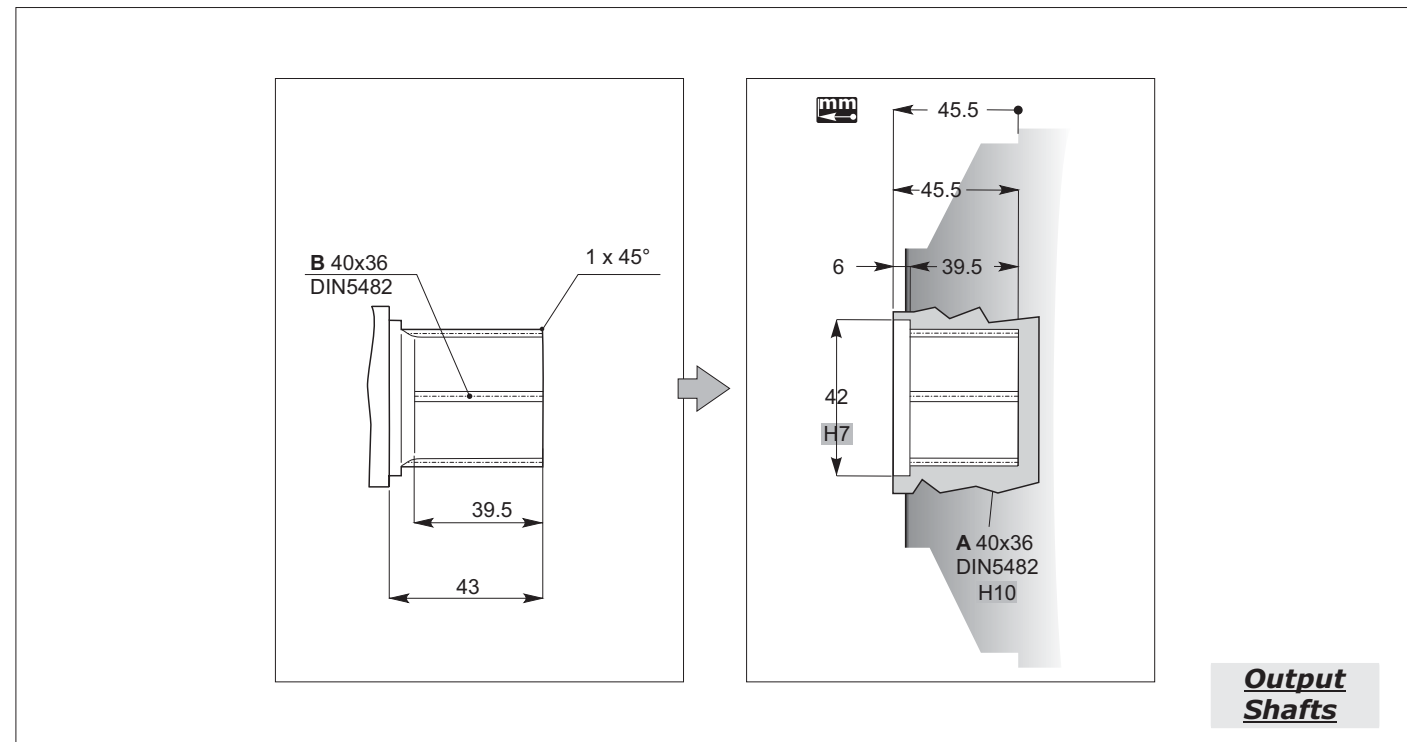
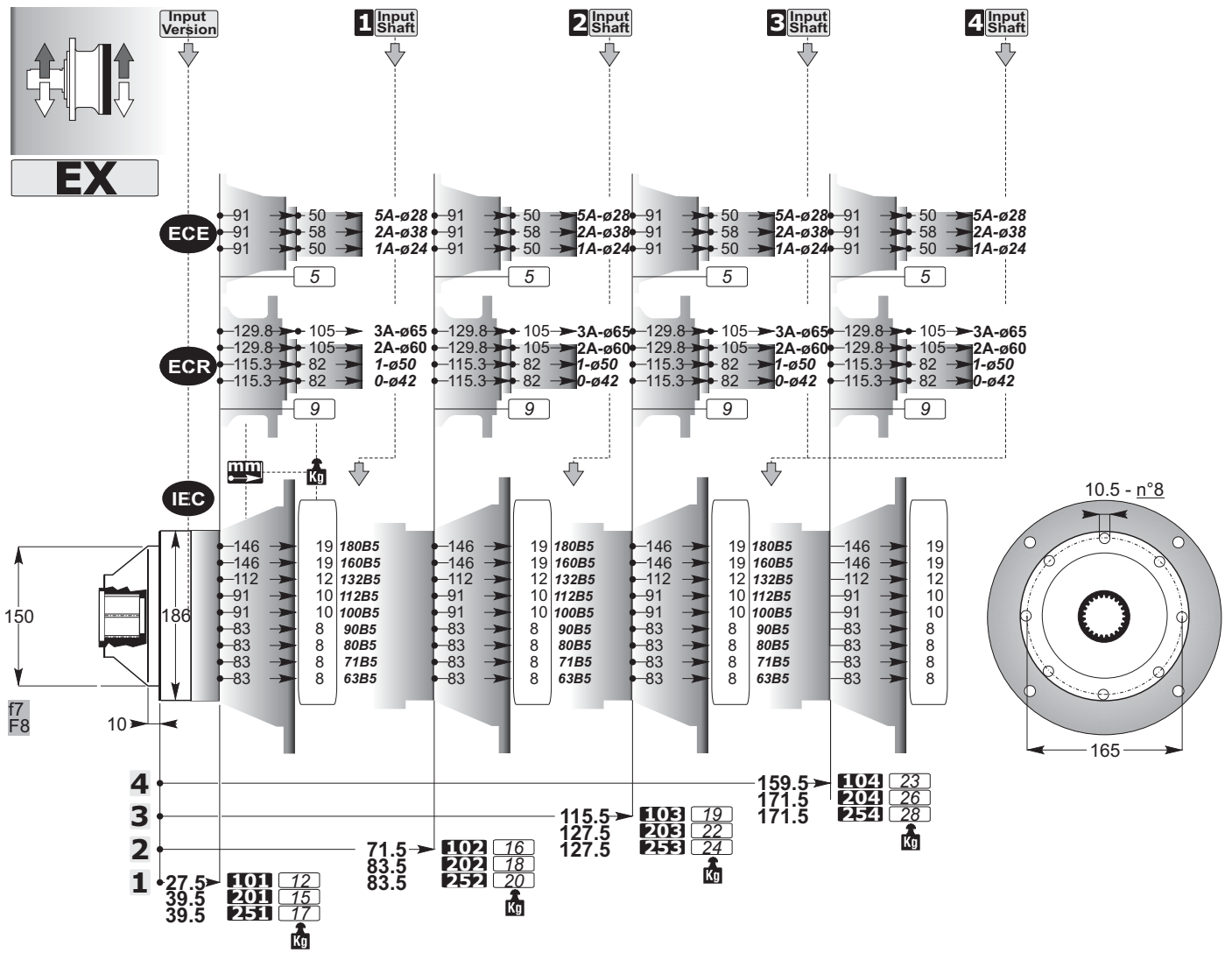
B 40x36
DIN5482

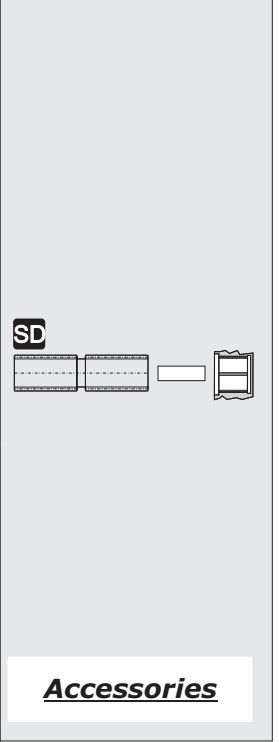
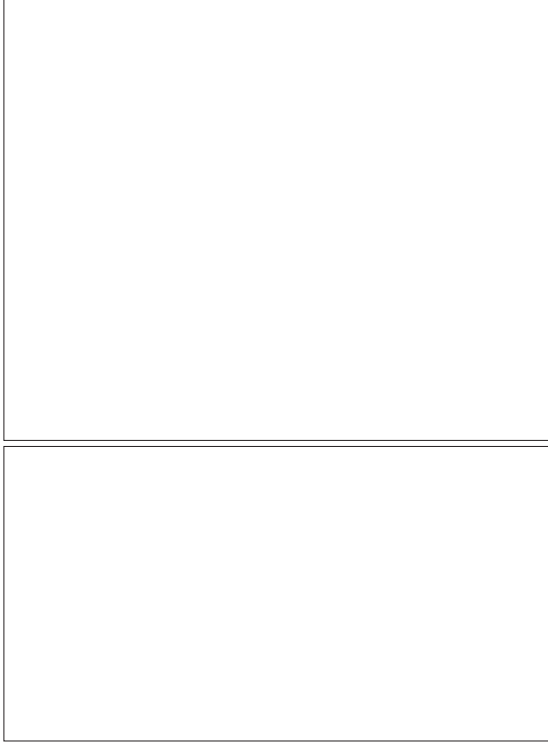
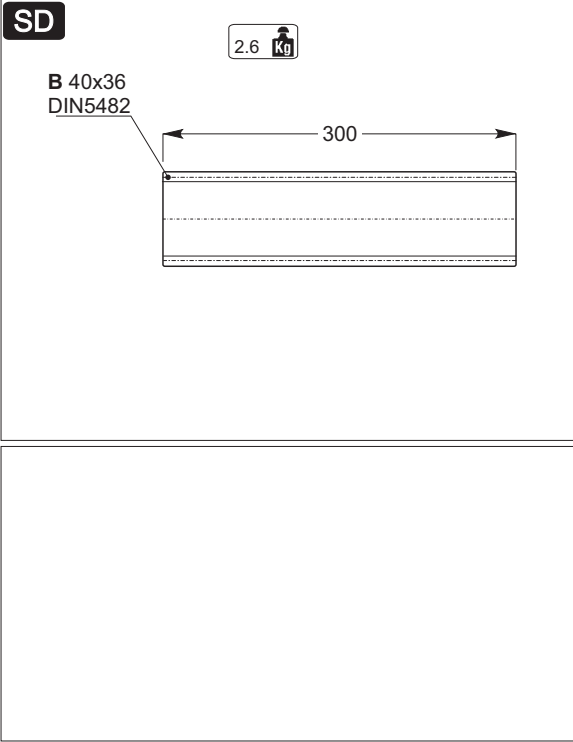
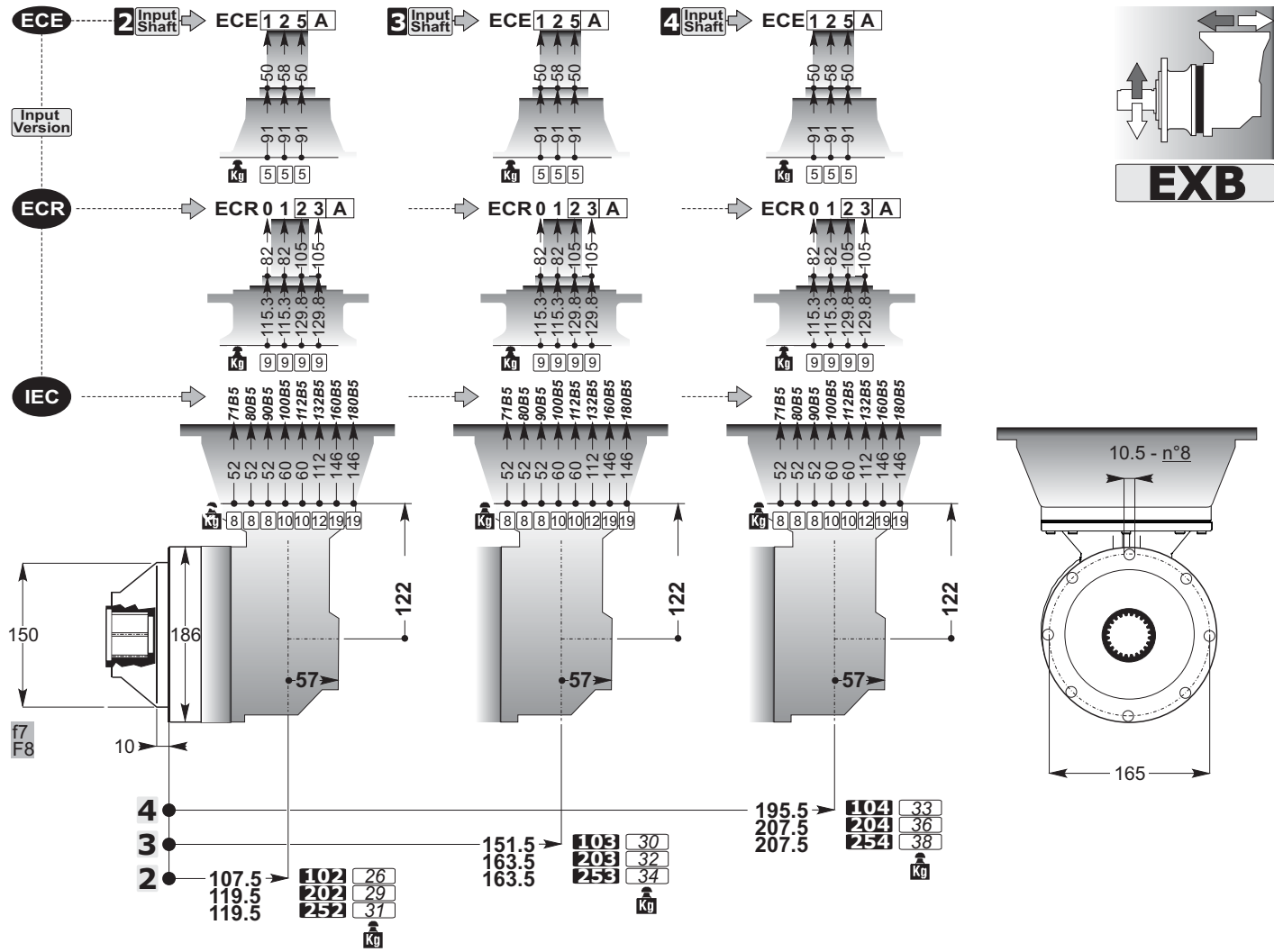
2.6 Kg

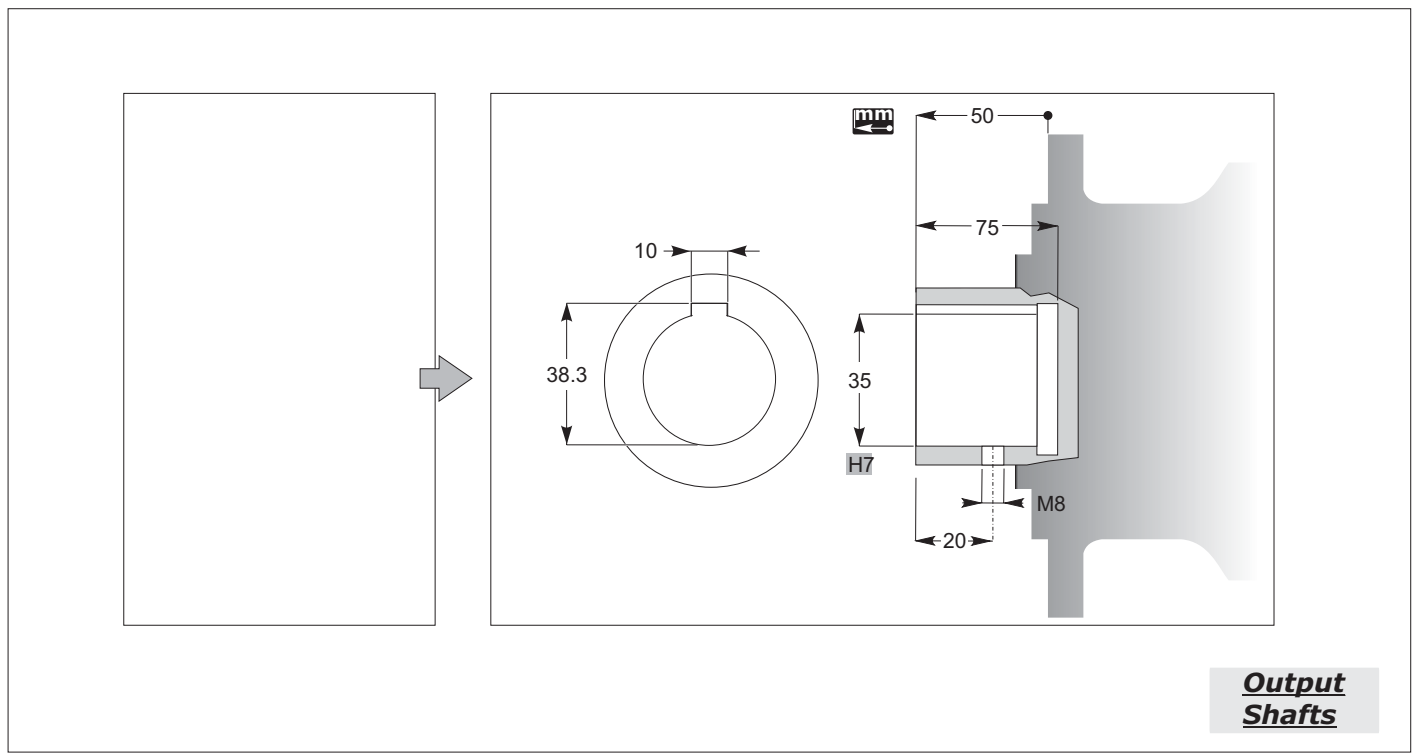
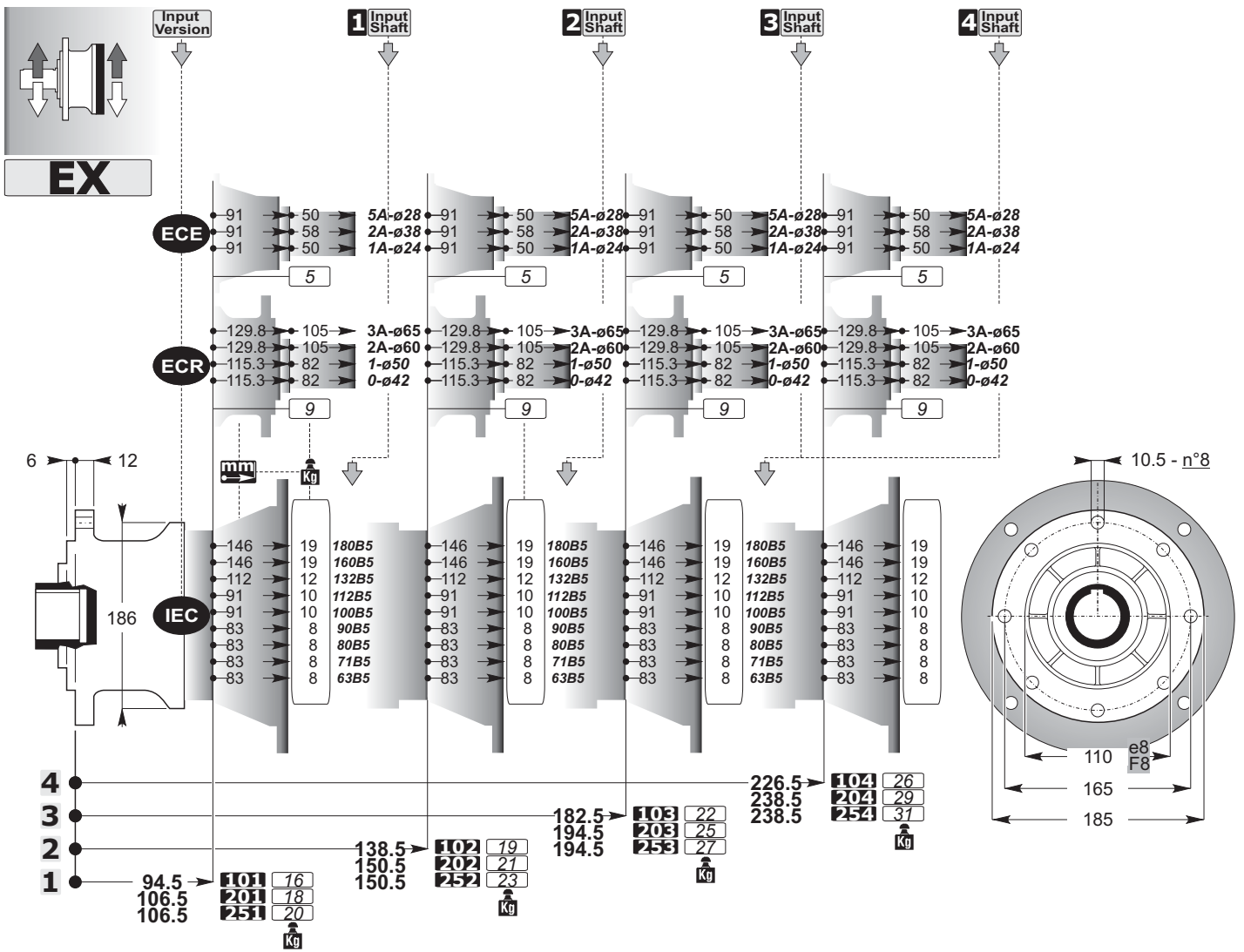
300

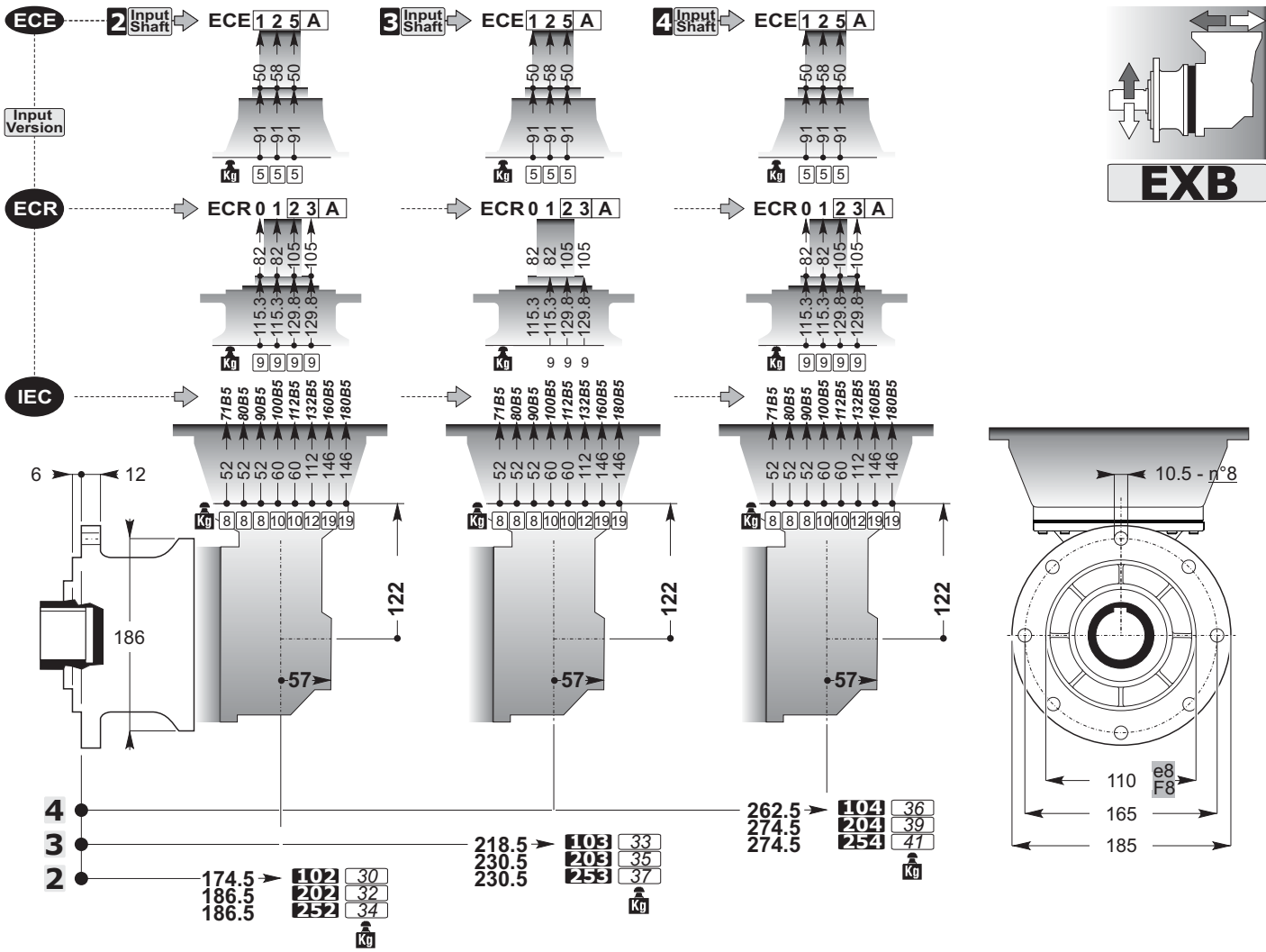
Accessories

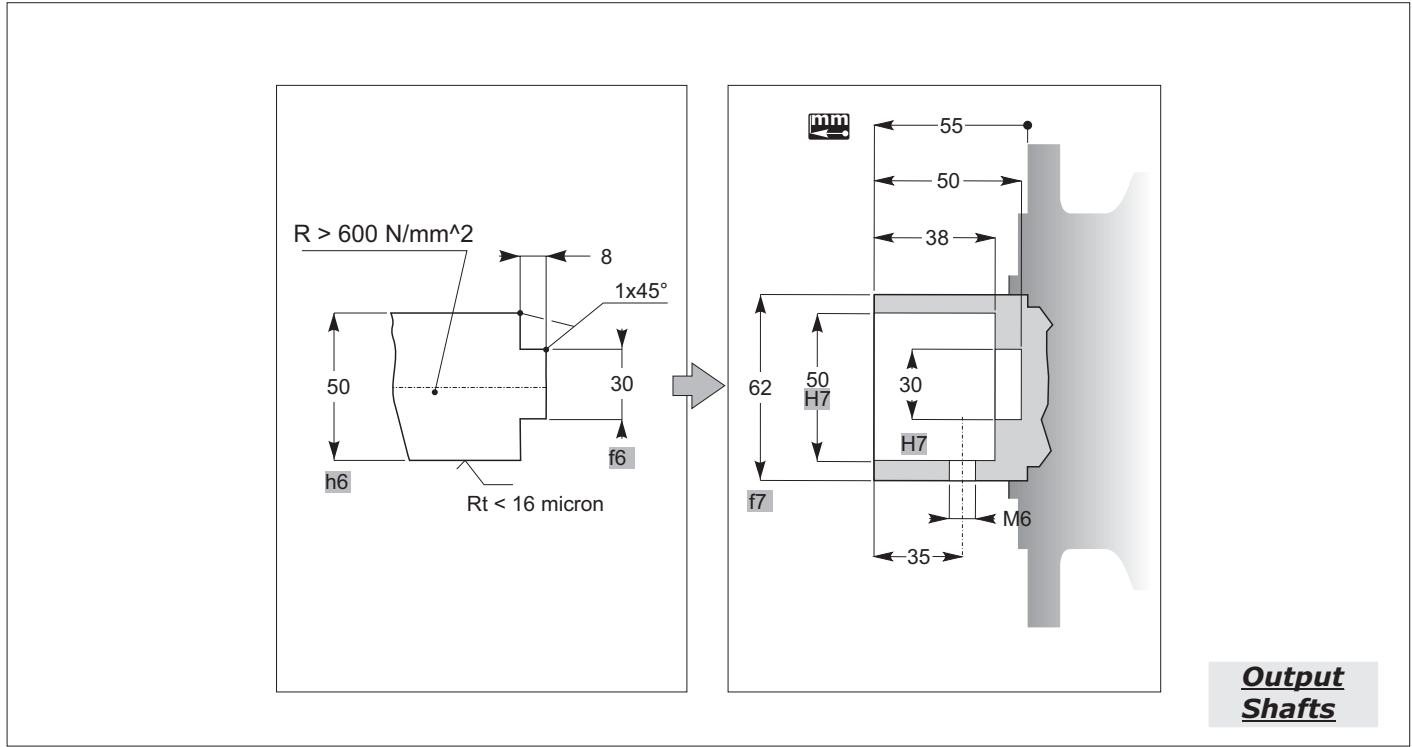
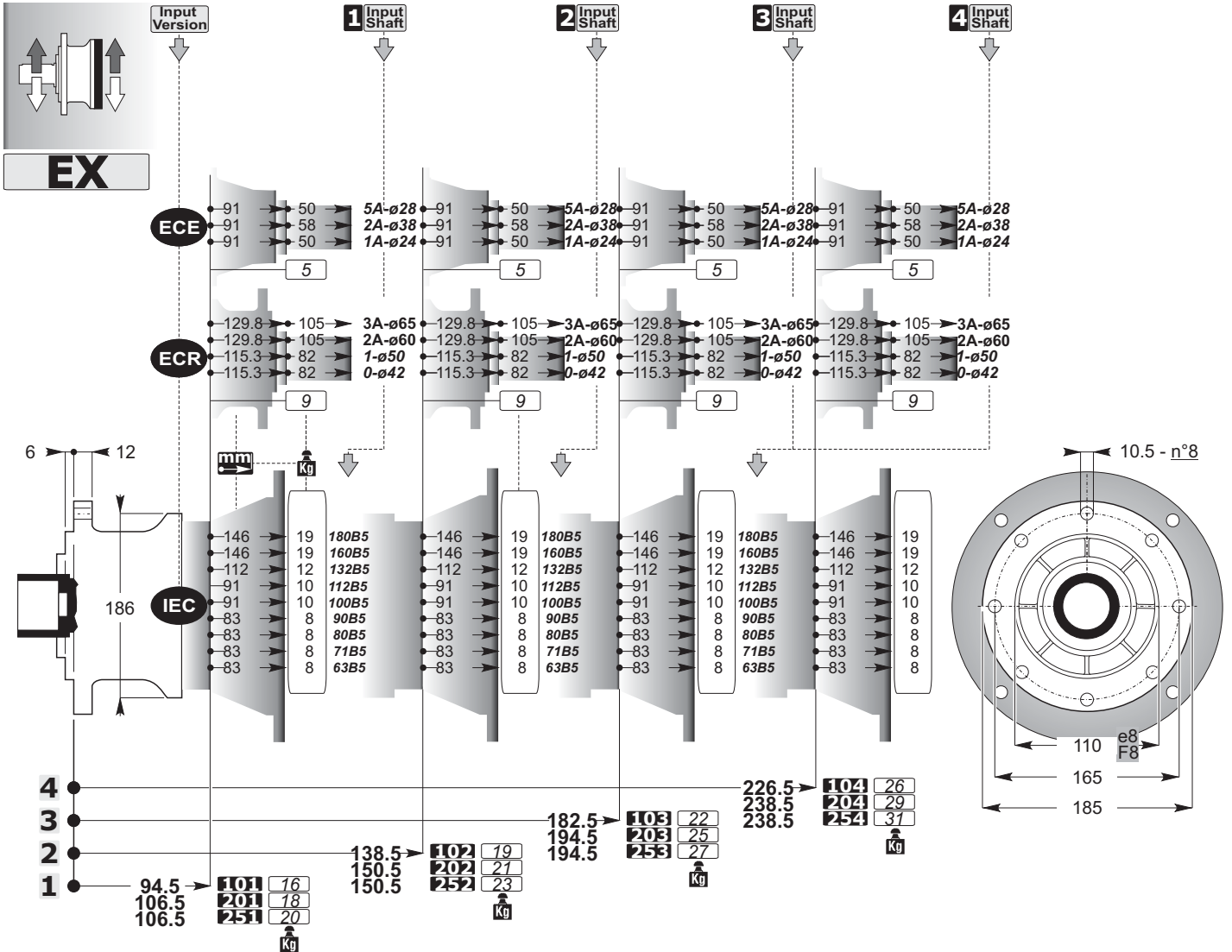
mm
C

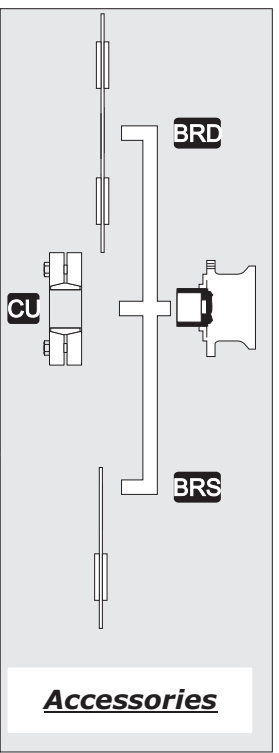
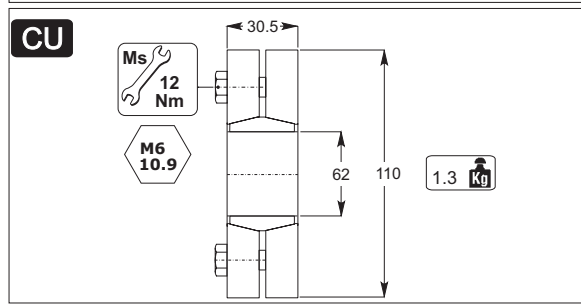
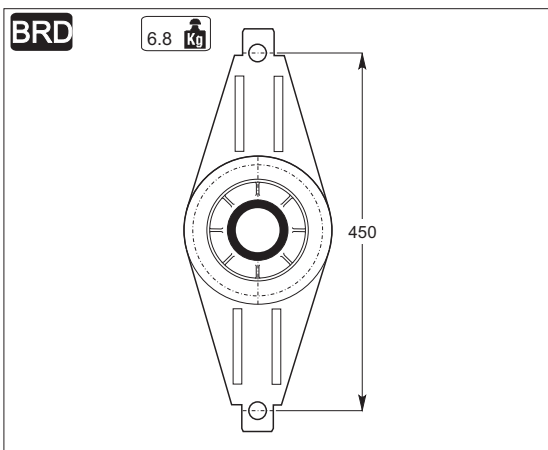
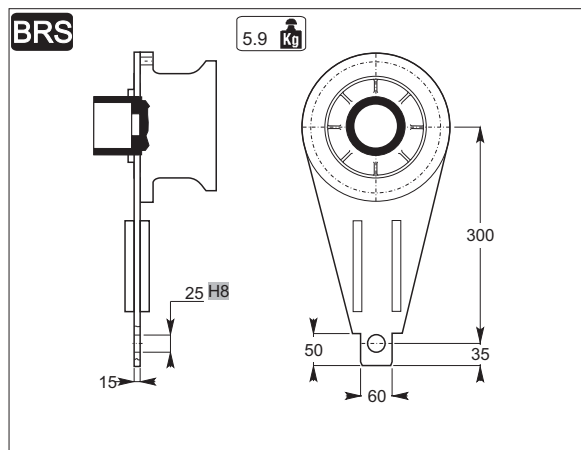
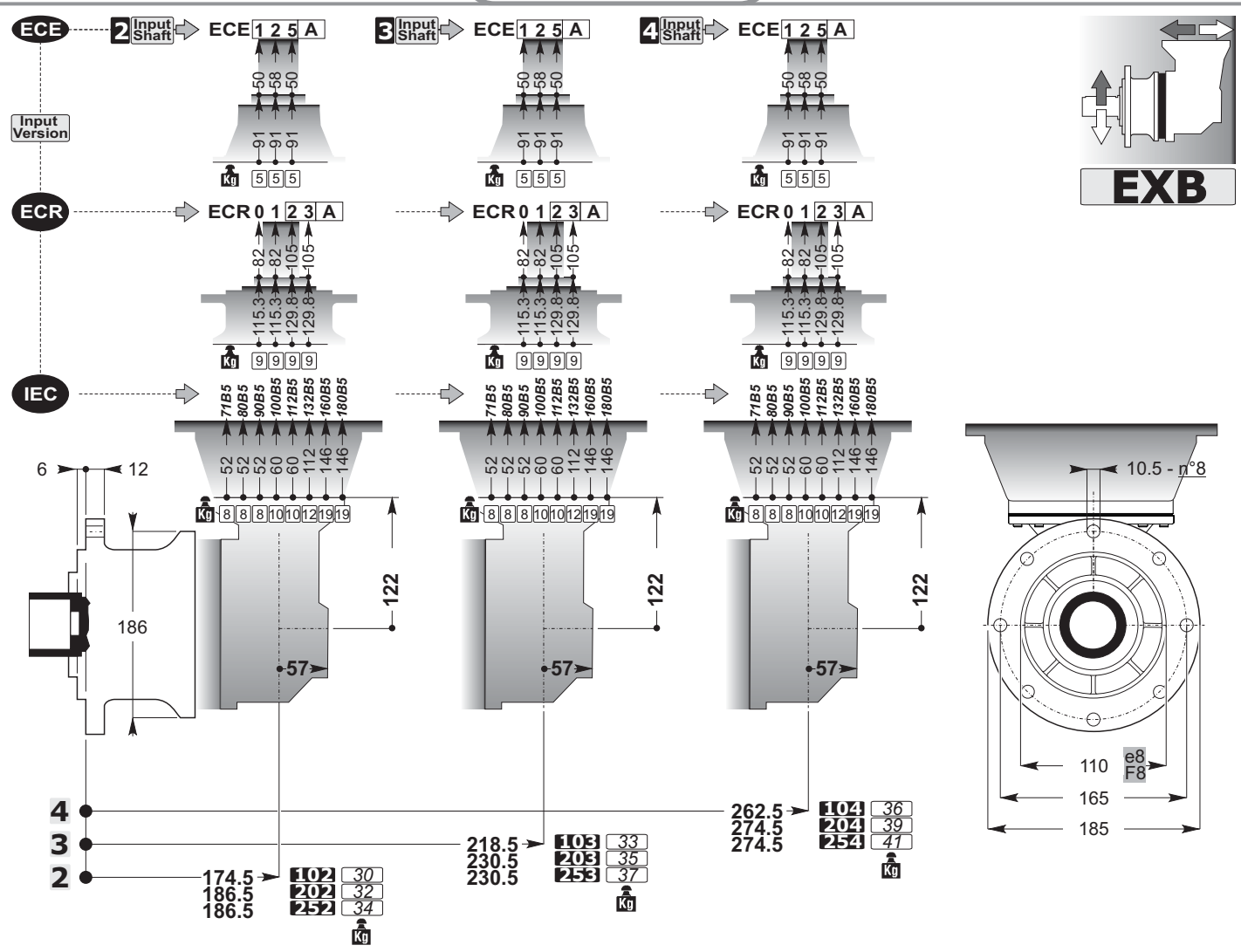




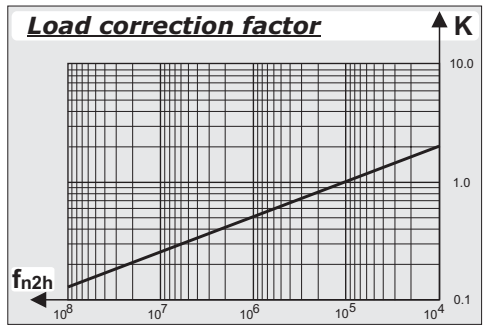
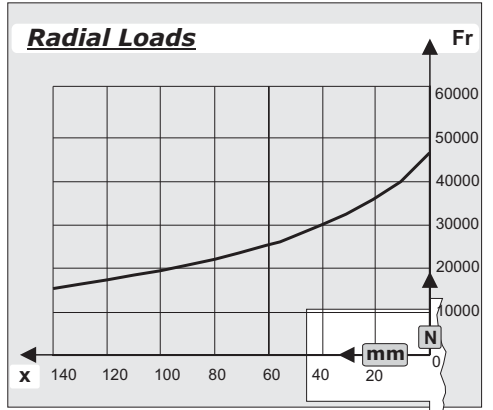
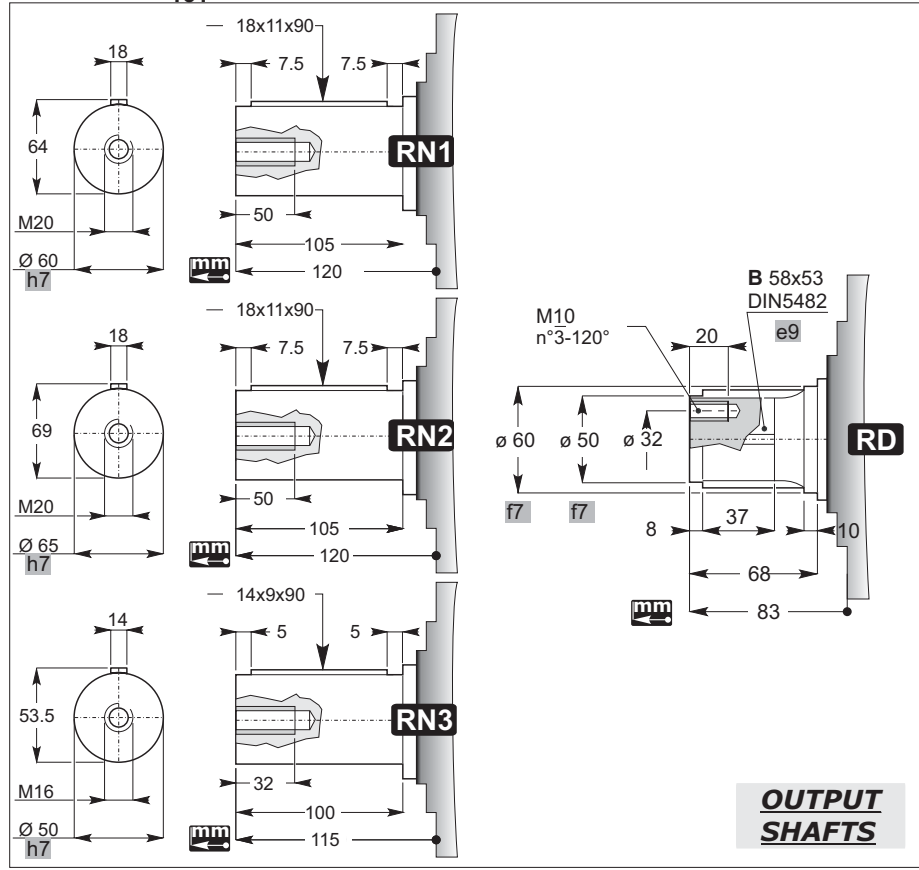
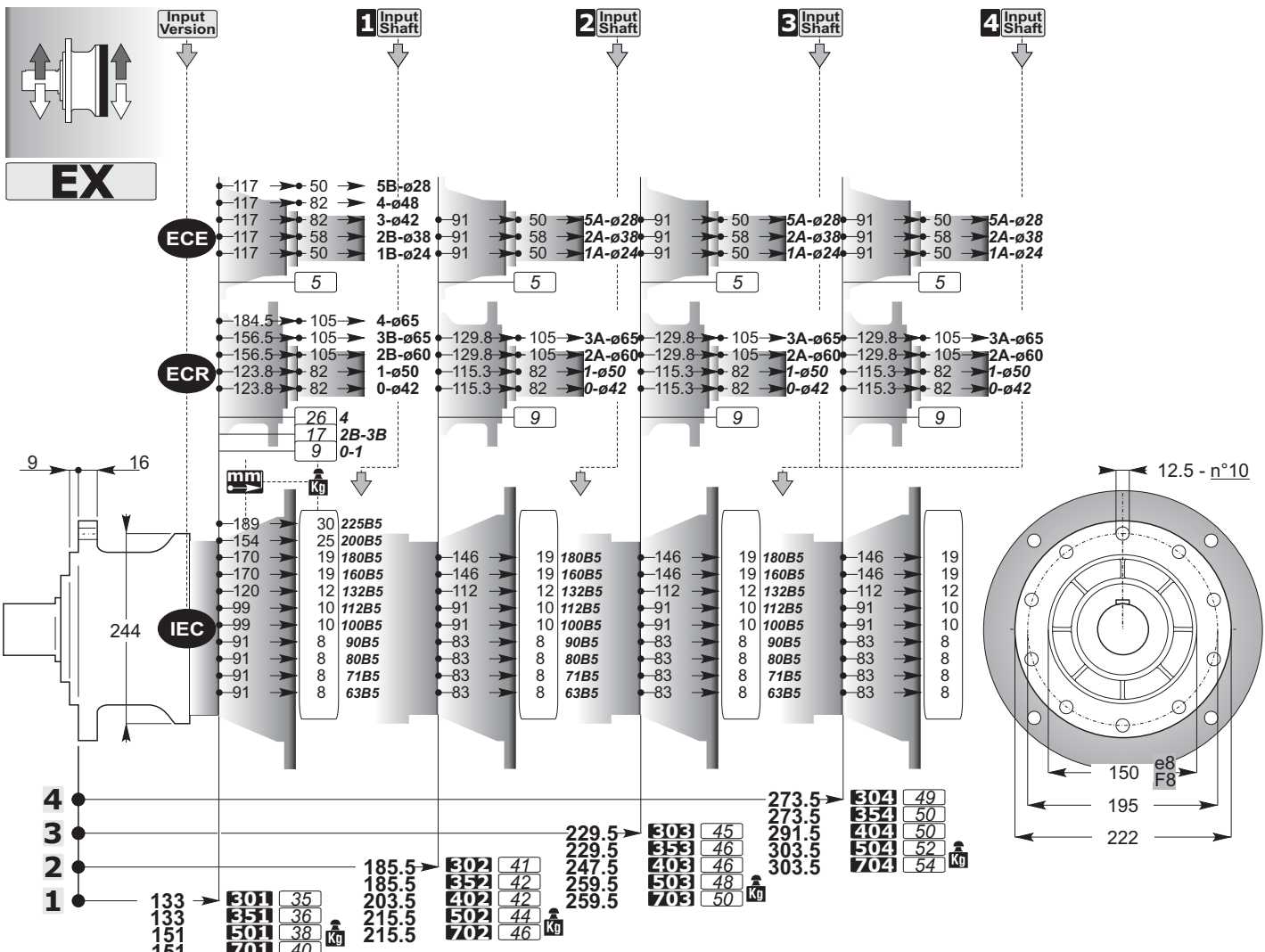


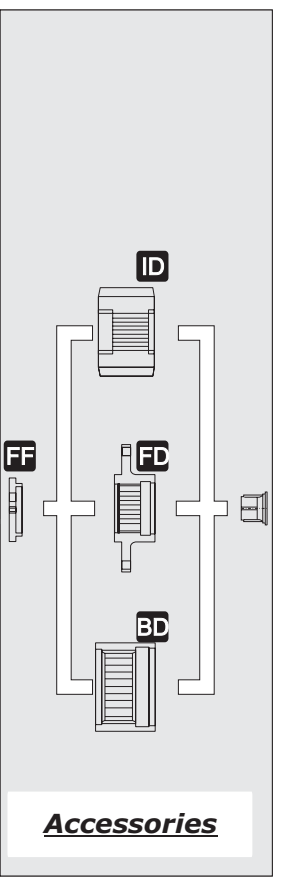
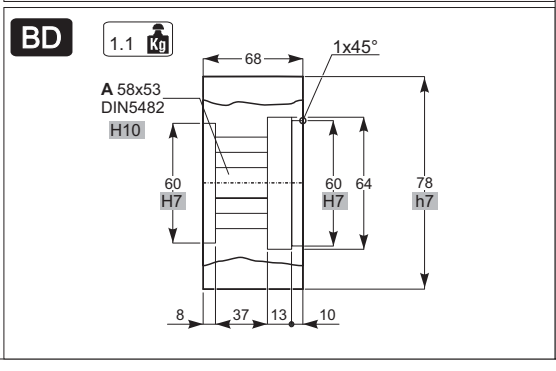
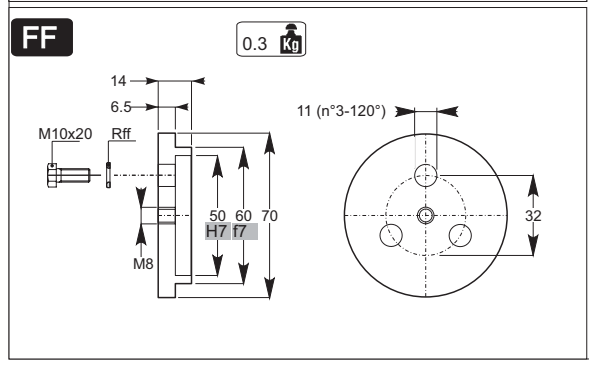
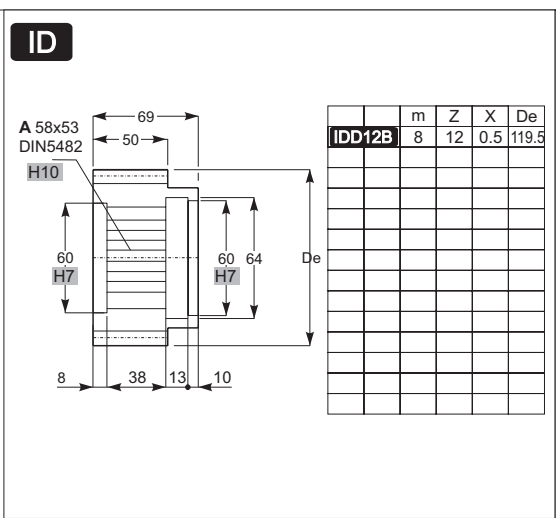
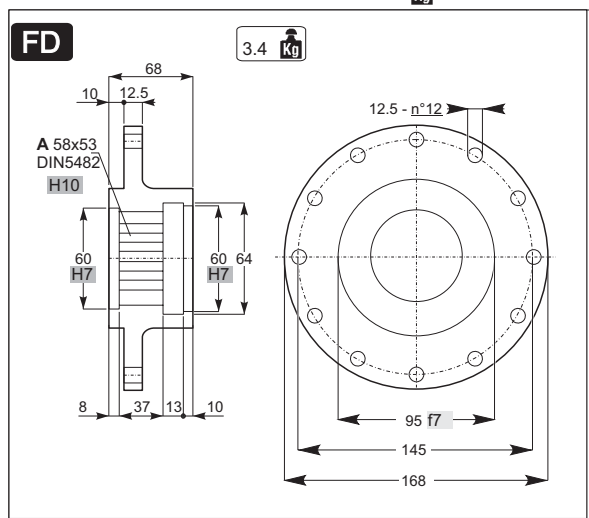
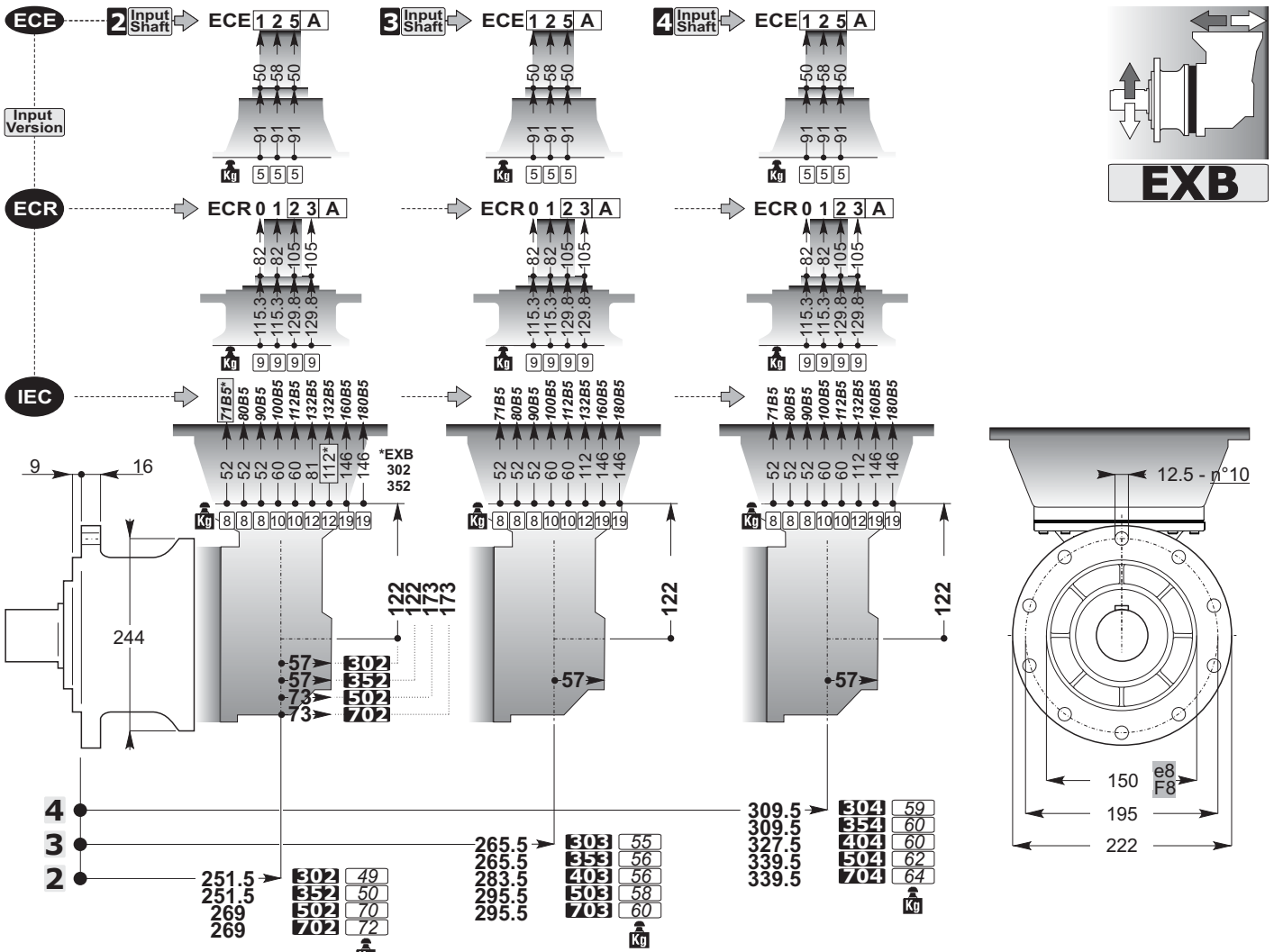


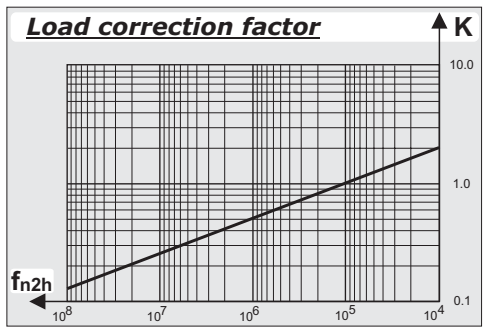
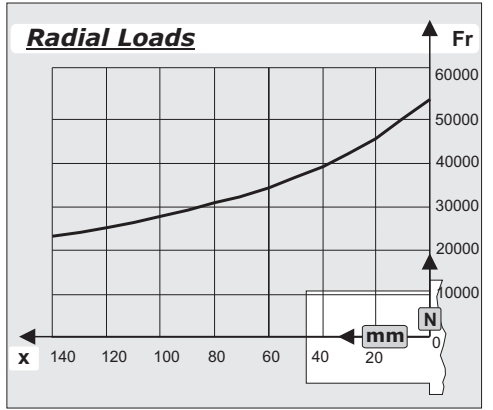
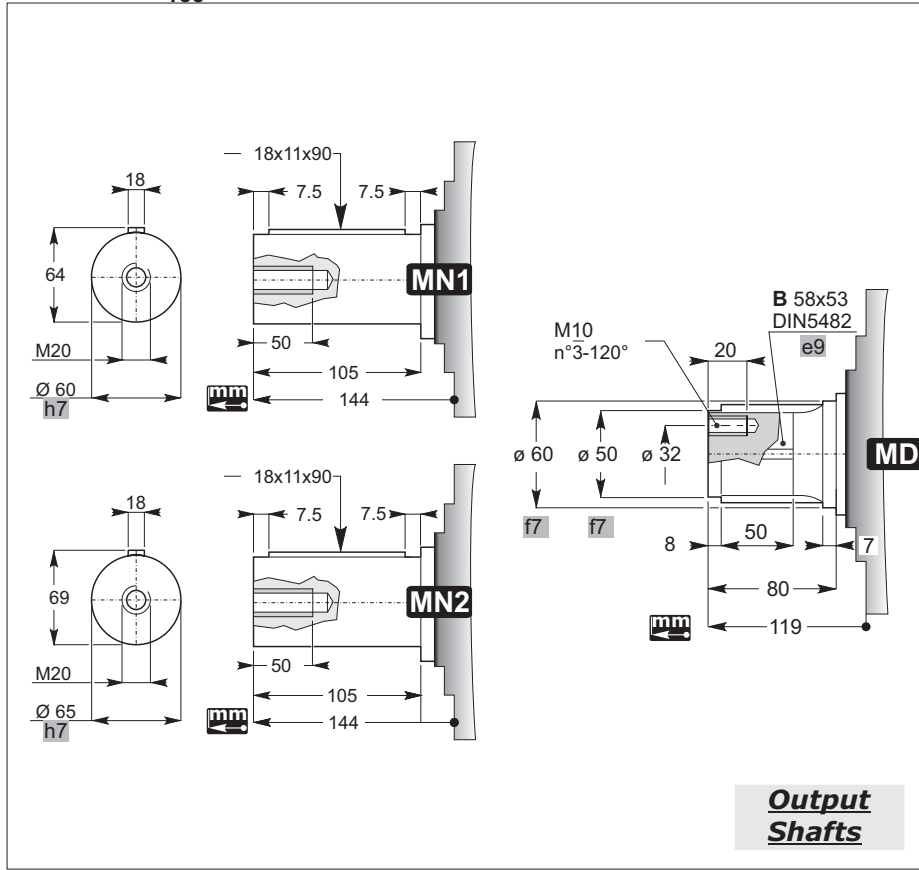
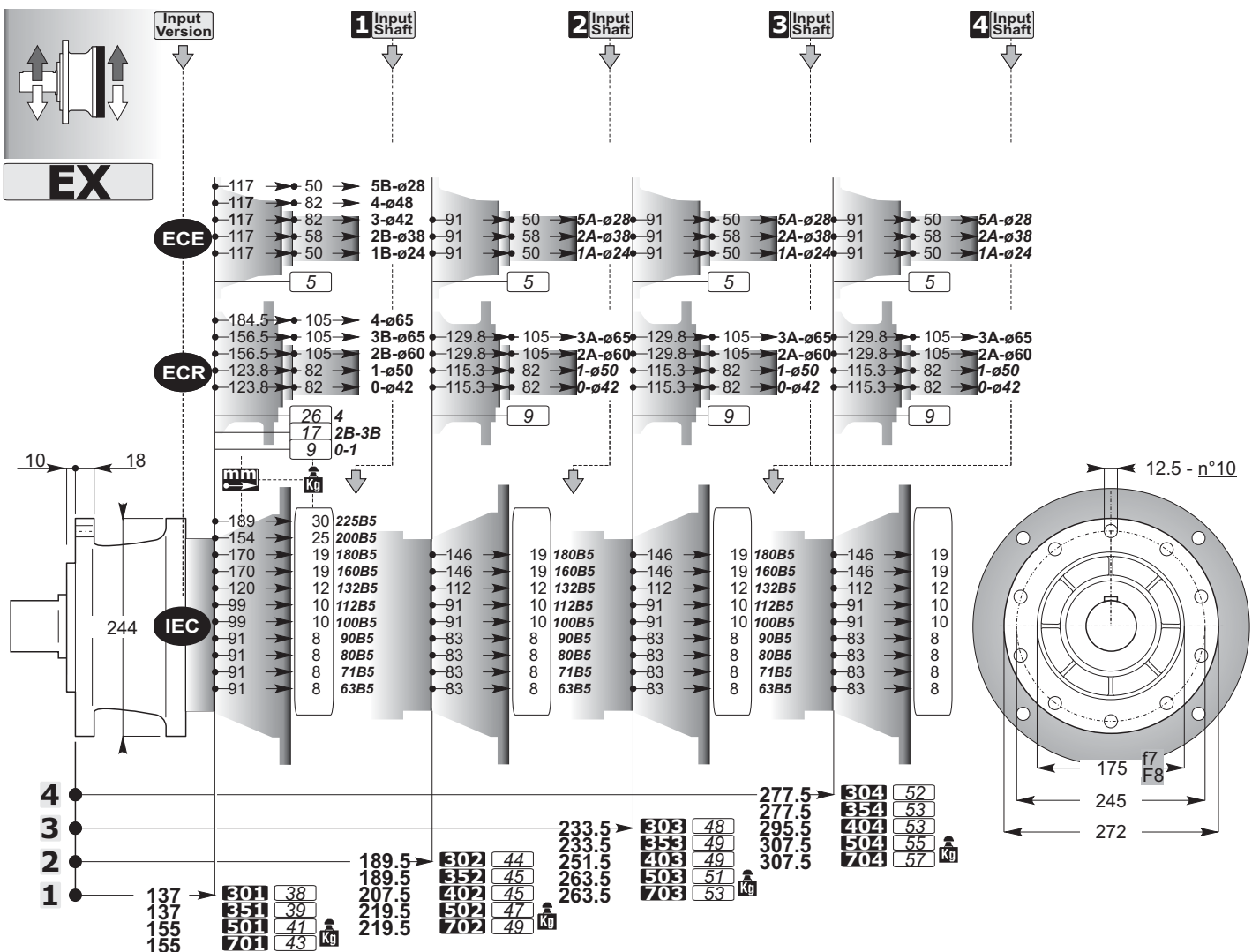


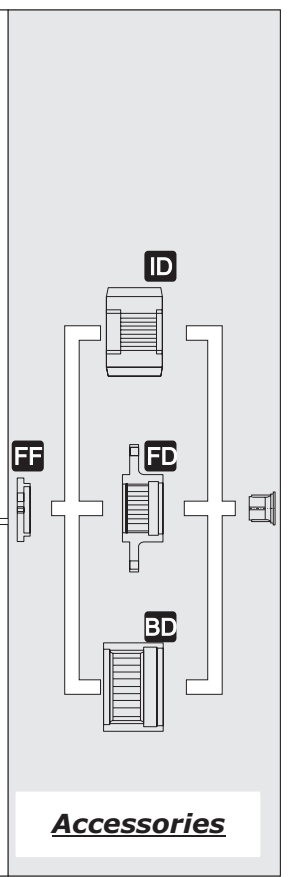
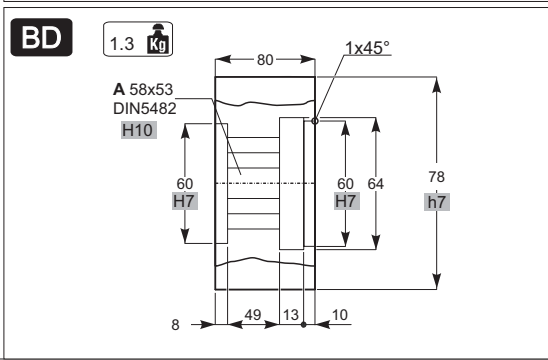
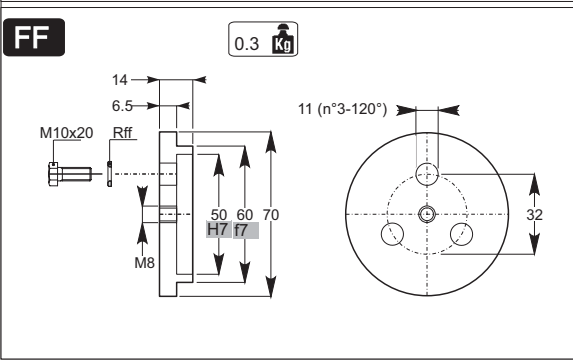
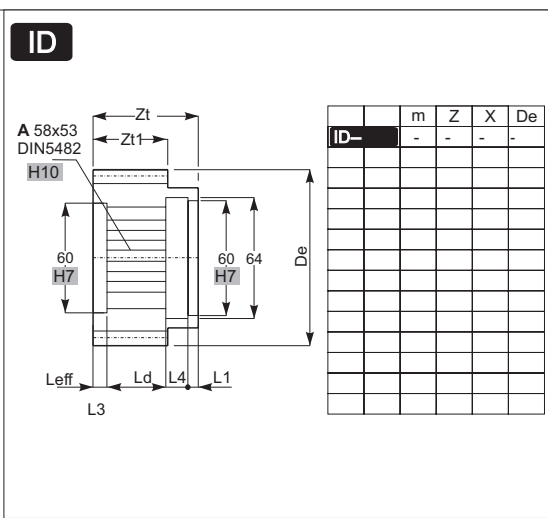
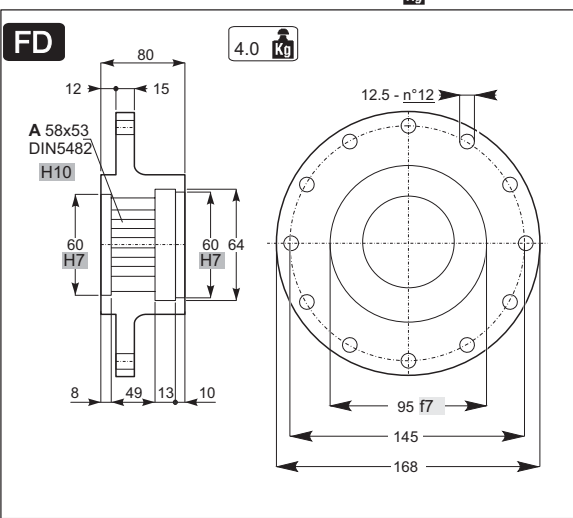
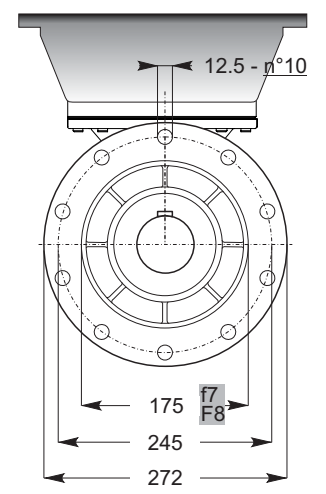
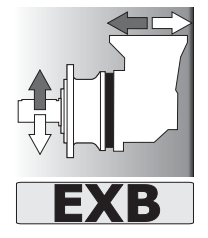
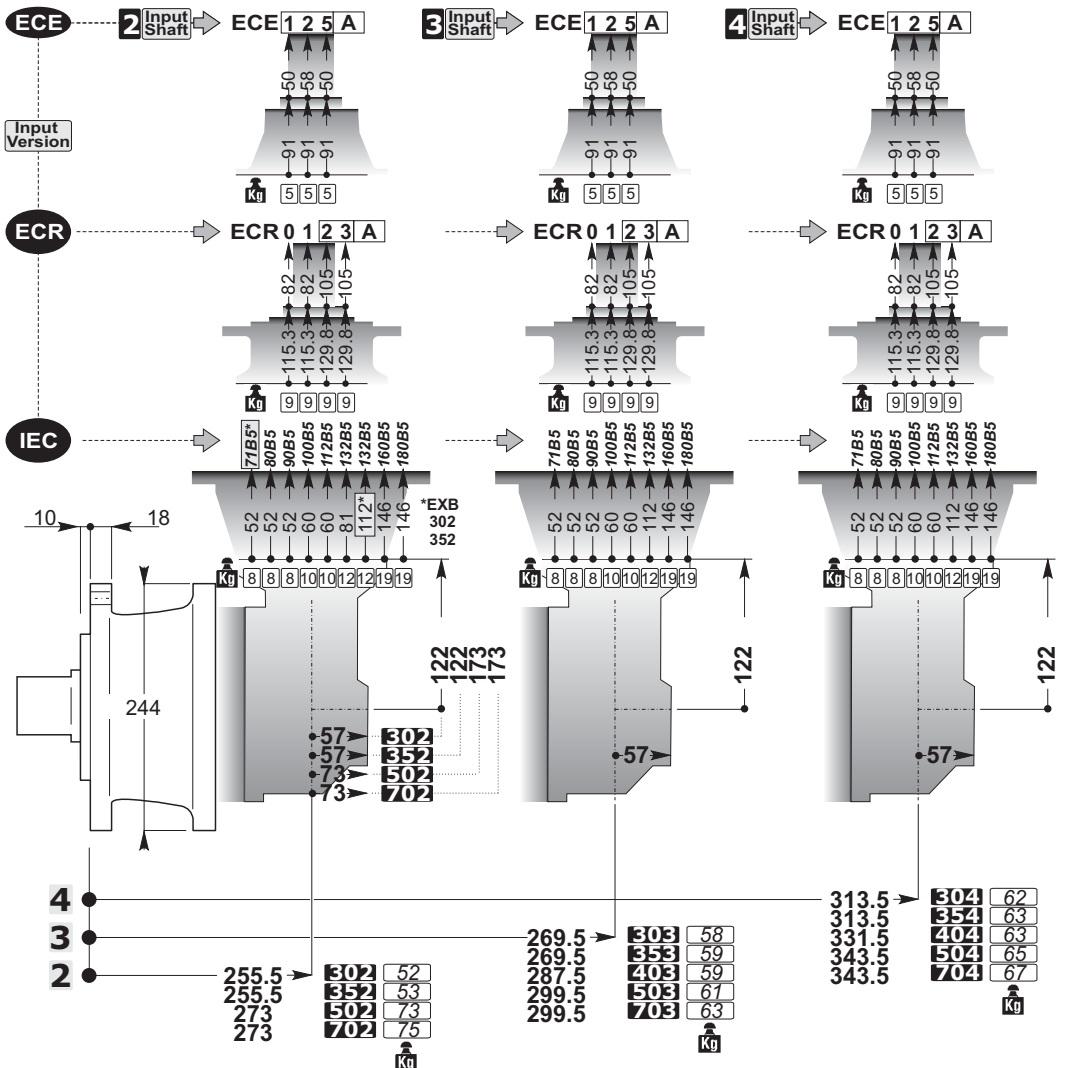


mm
C

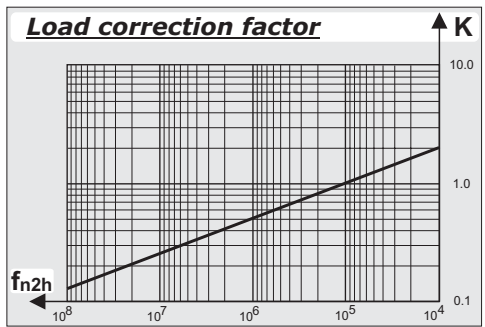
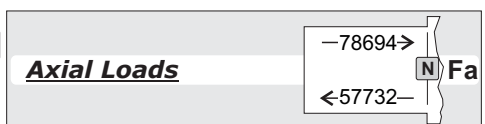
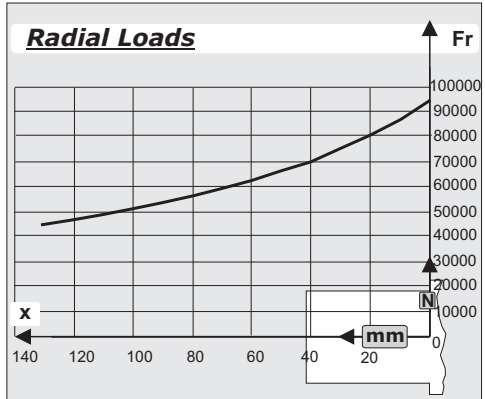
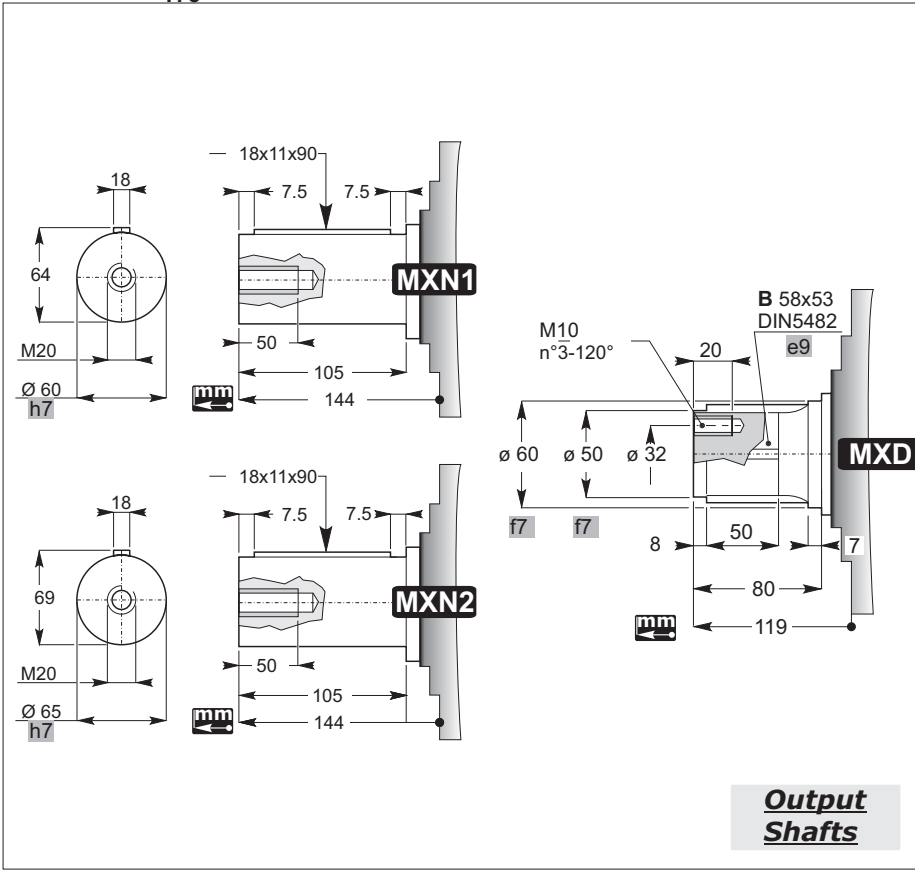
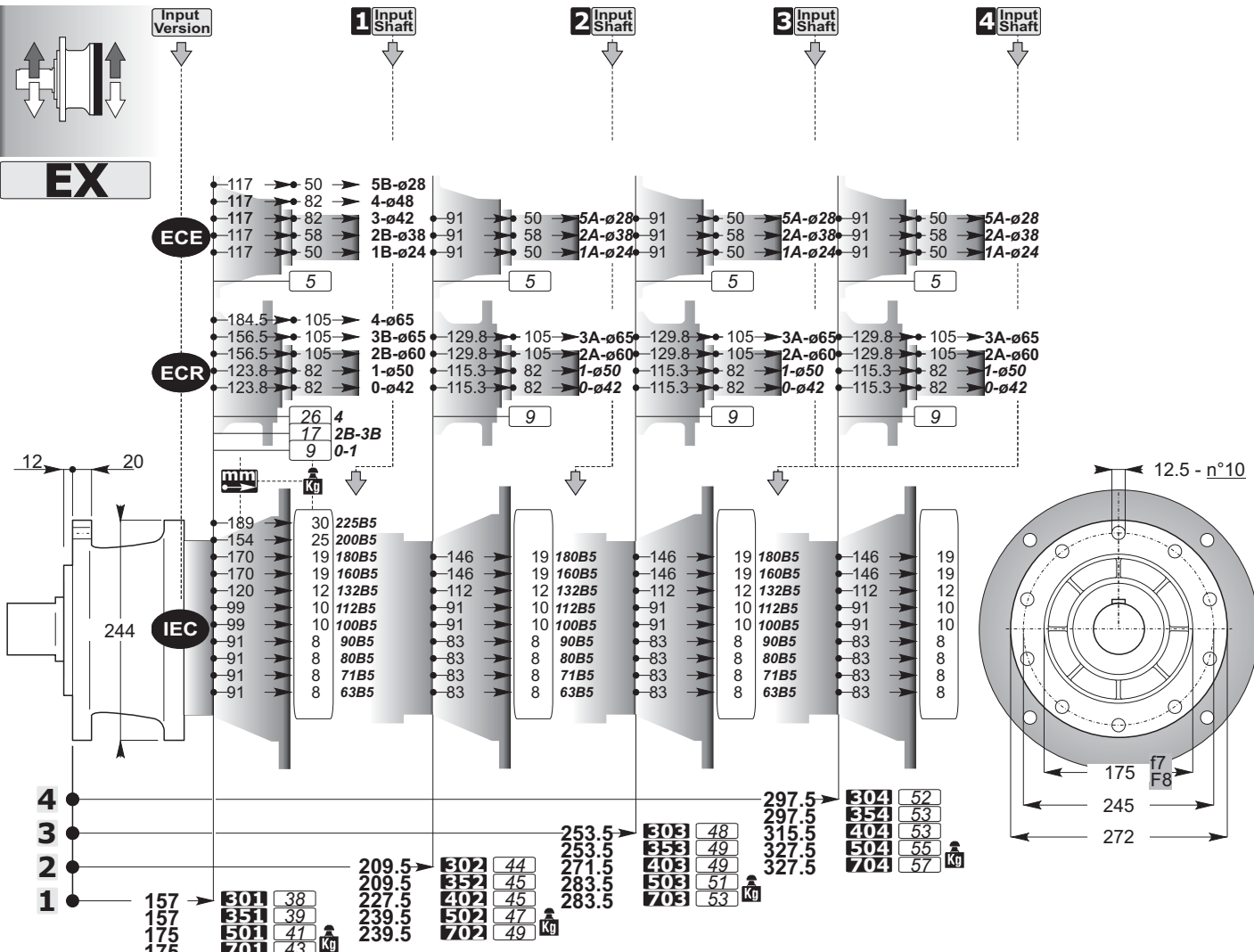


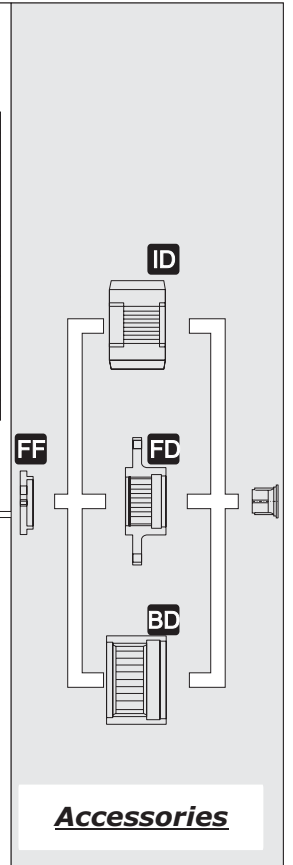
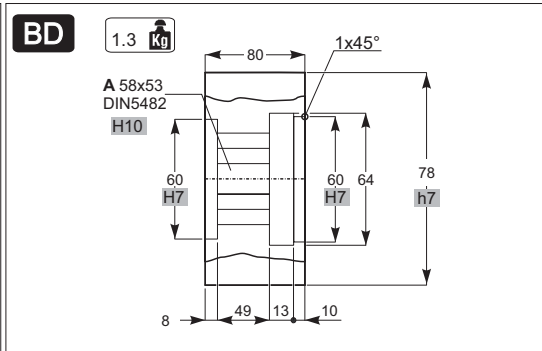
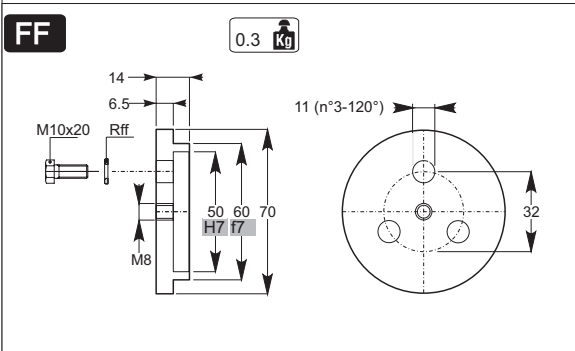
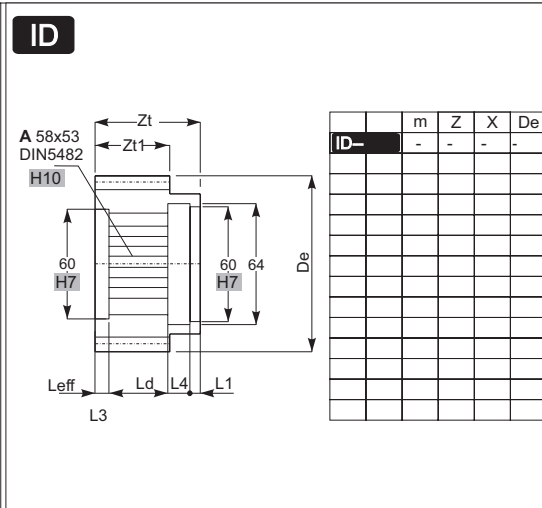
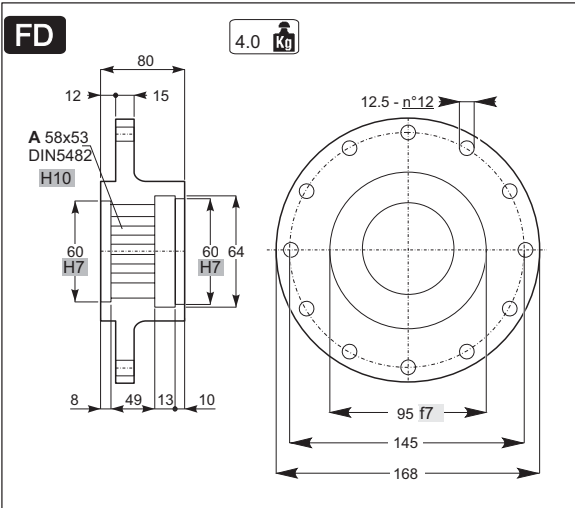
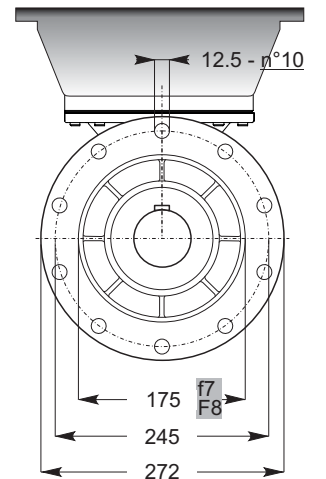
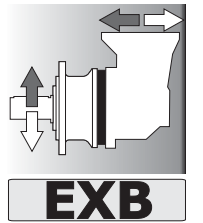
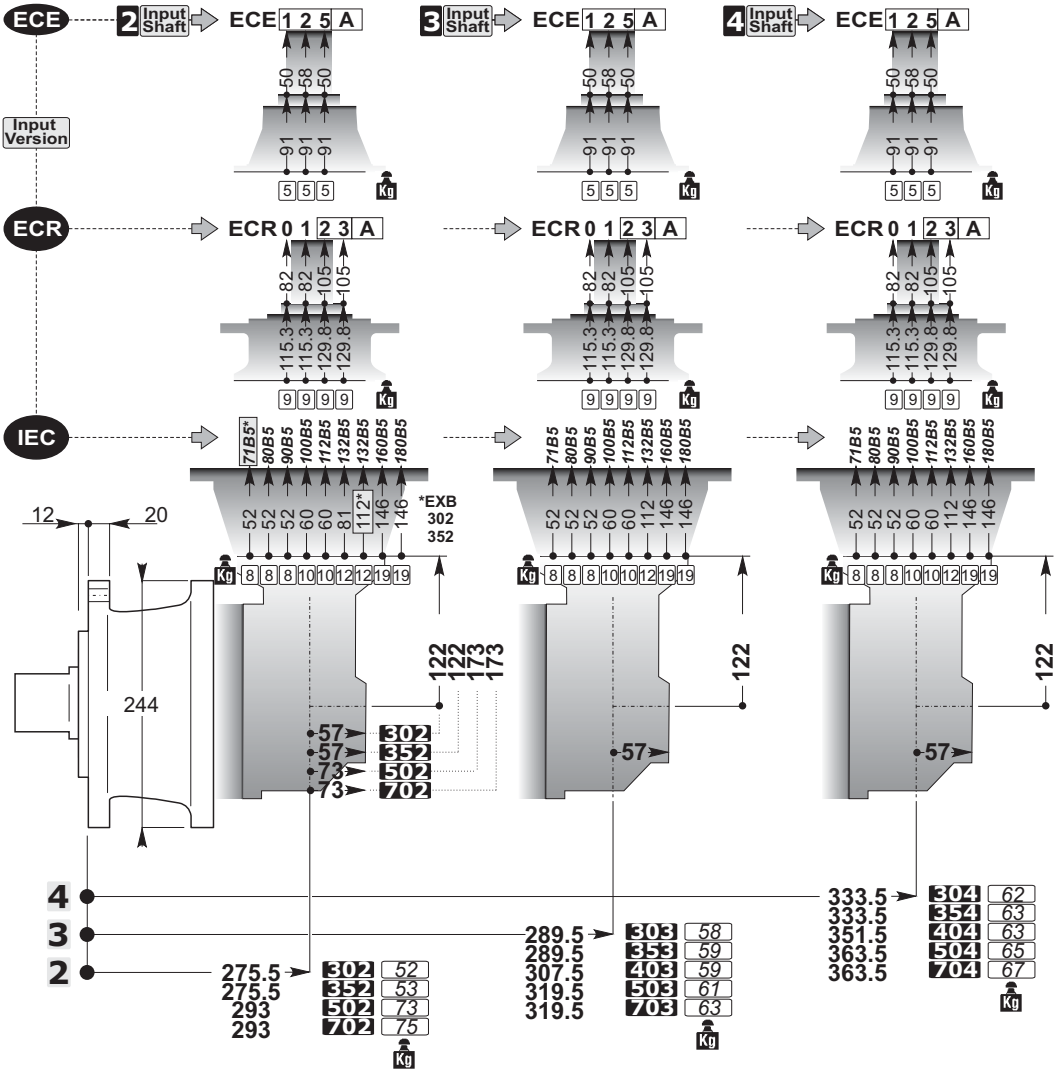


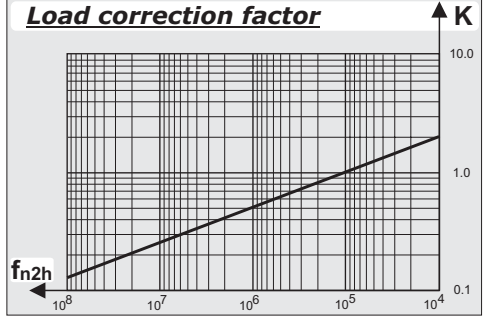
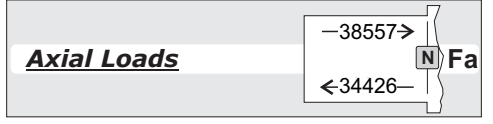
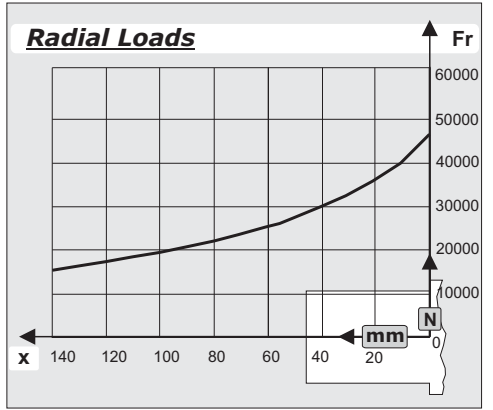
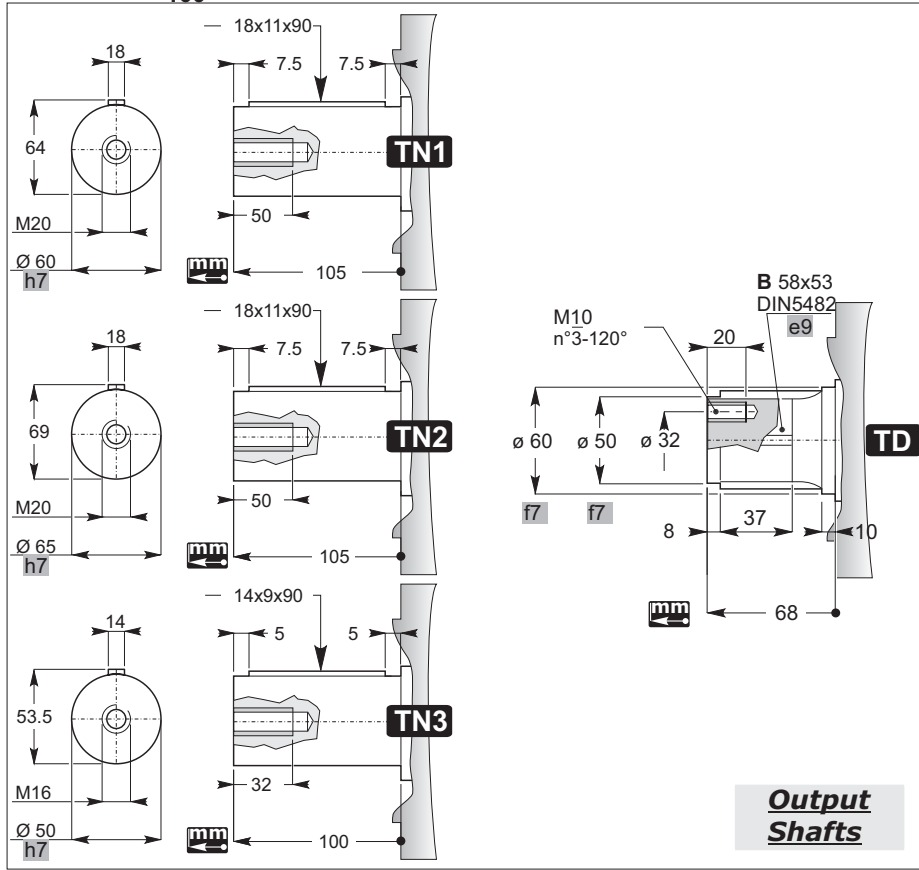
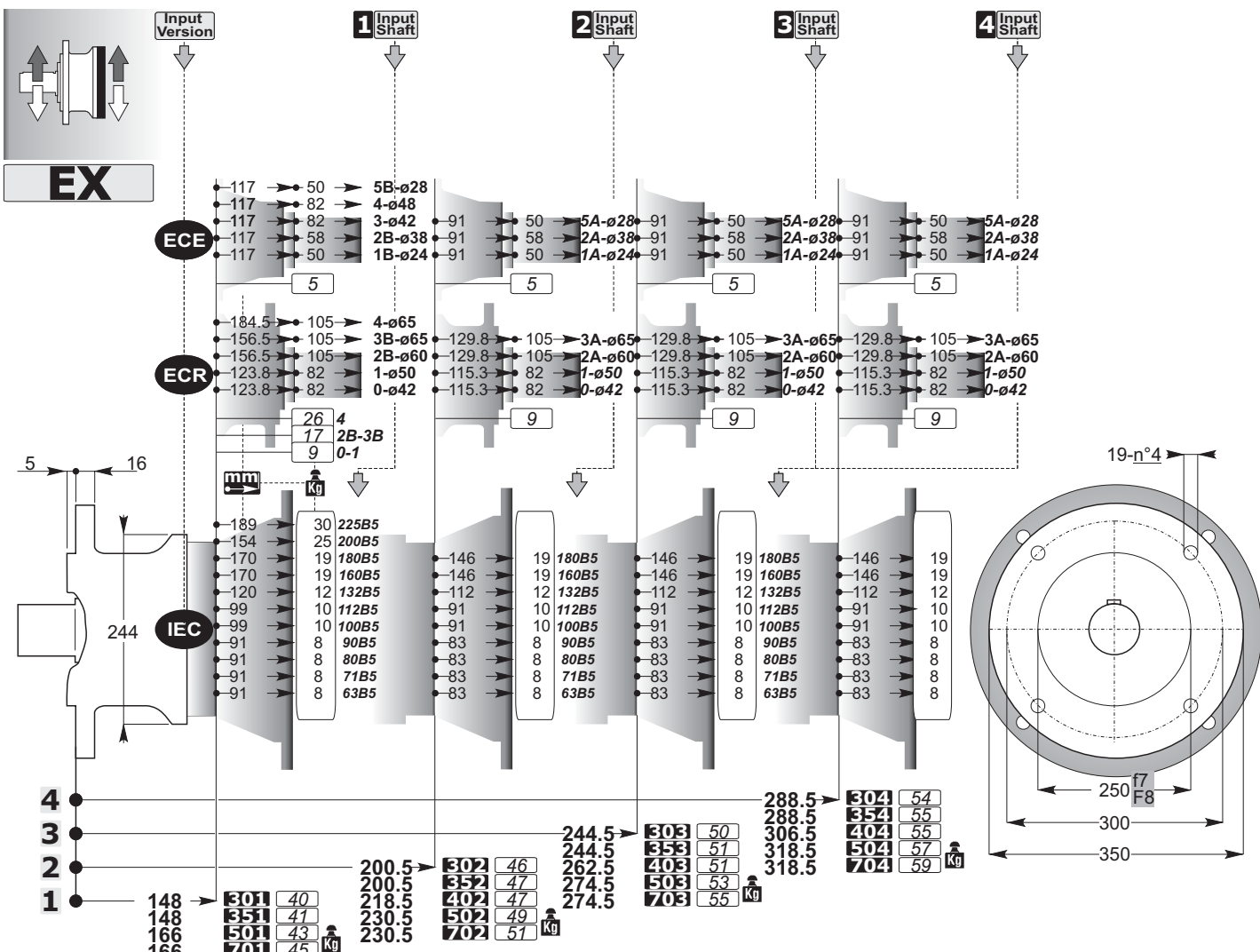


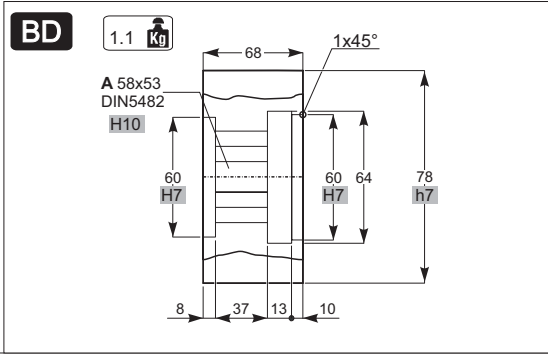
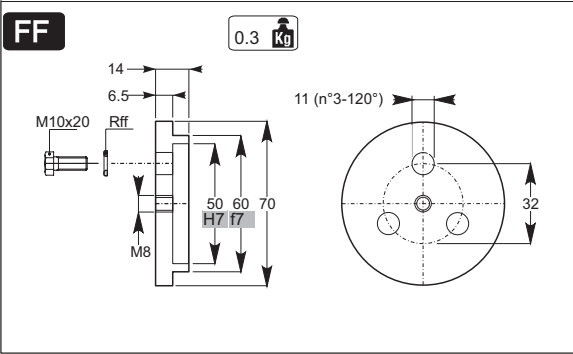
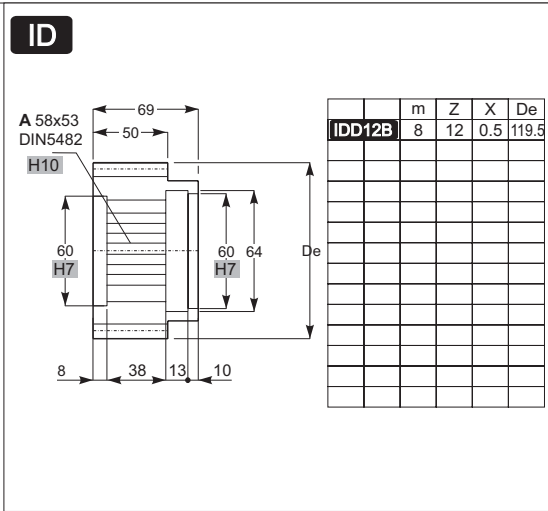
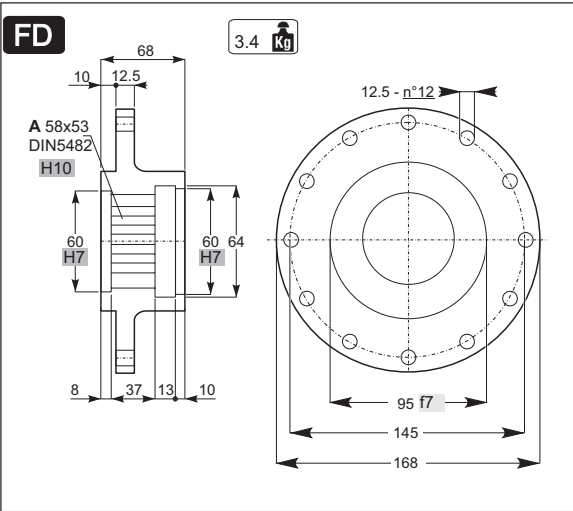
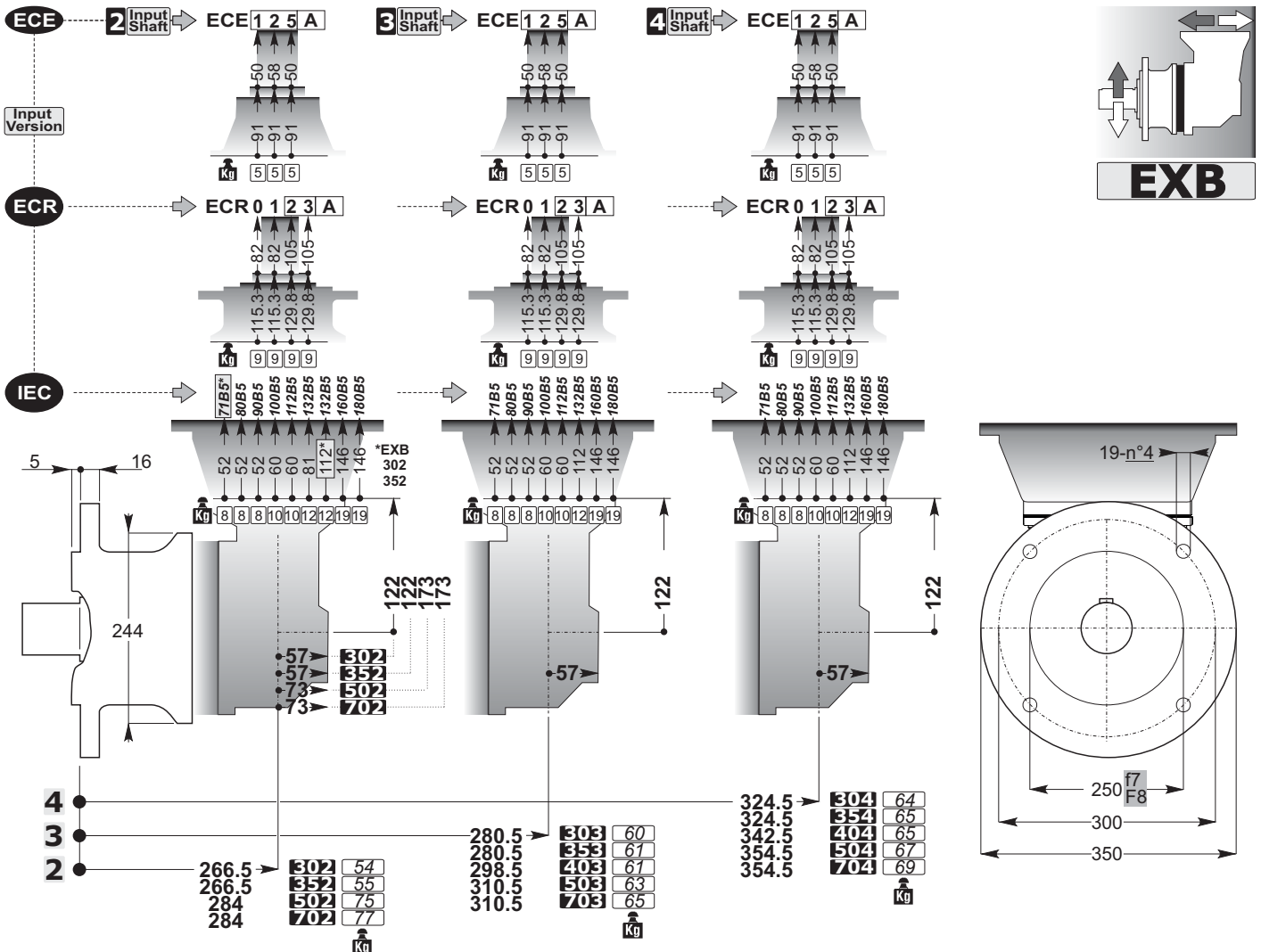


mm
C



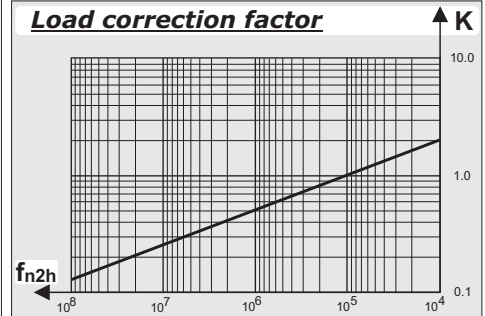
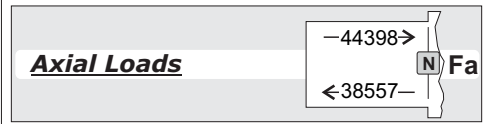
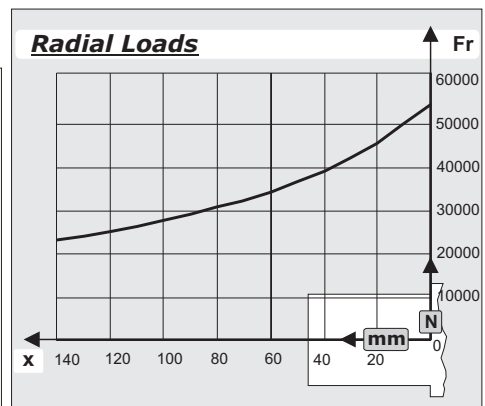
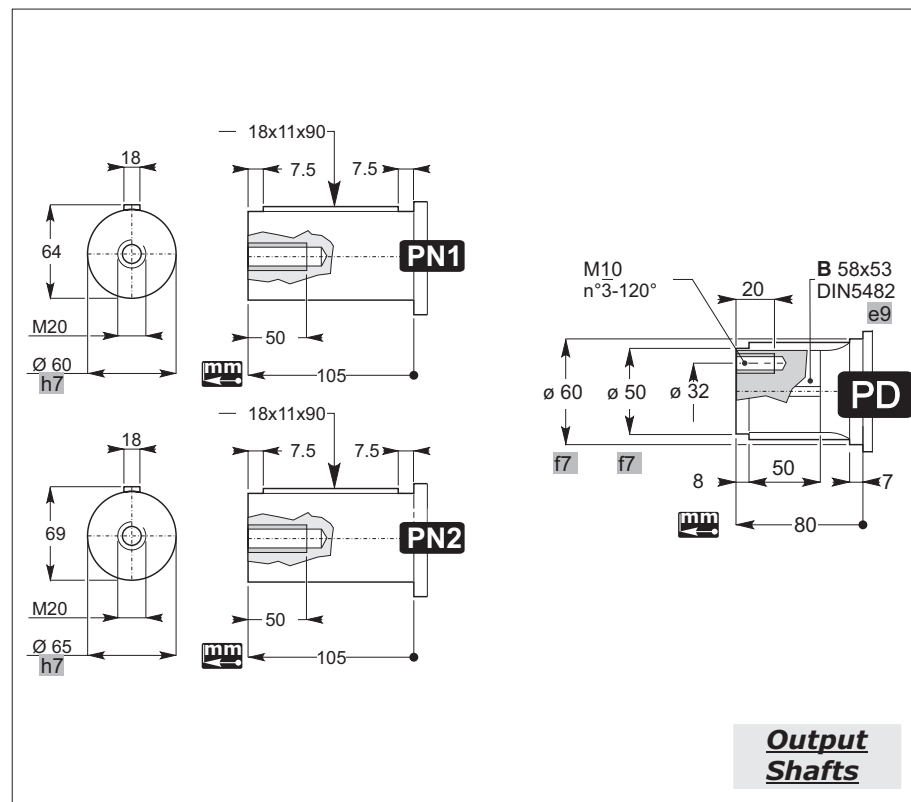
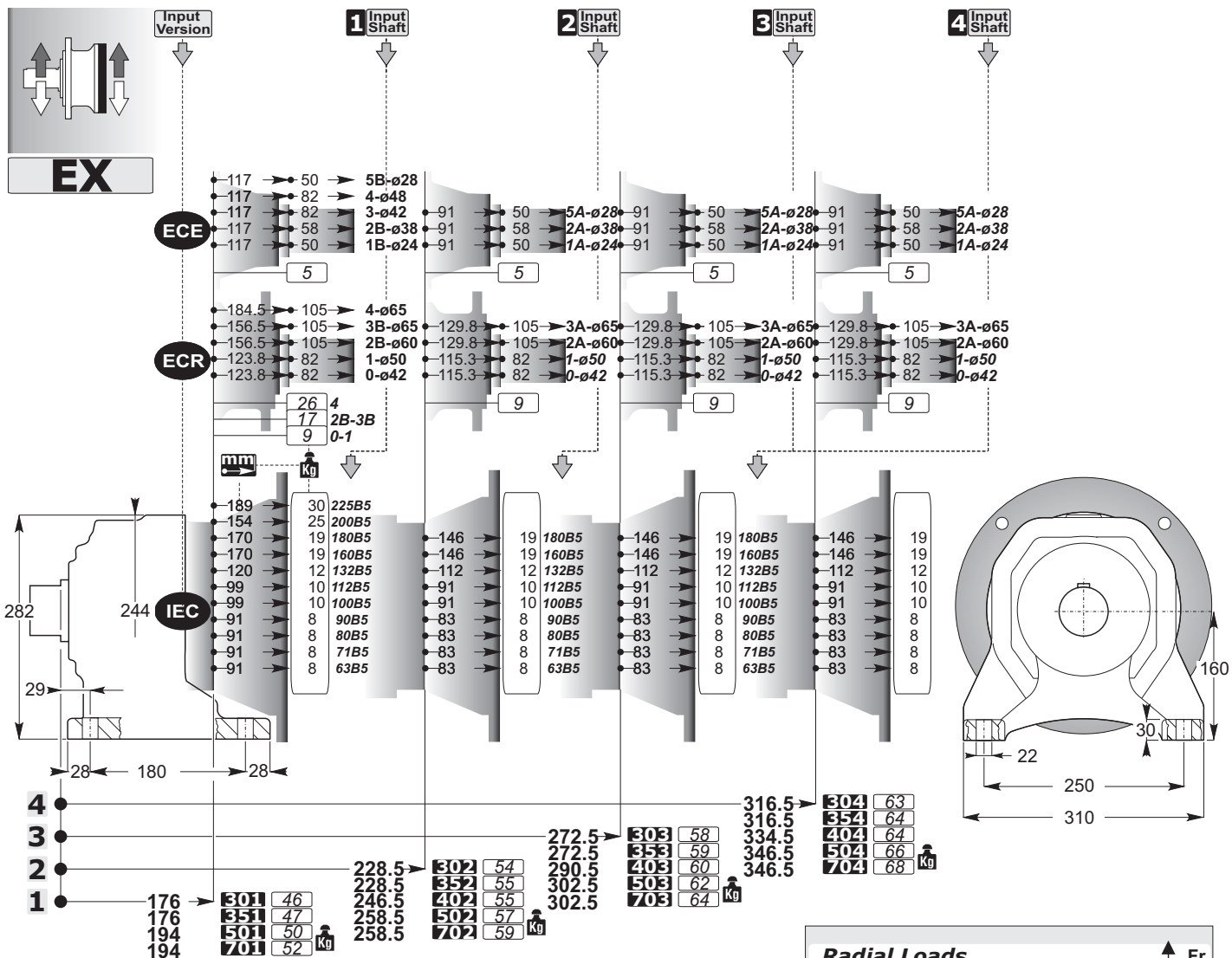


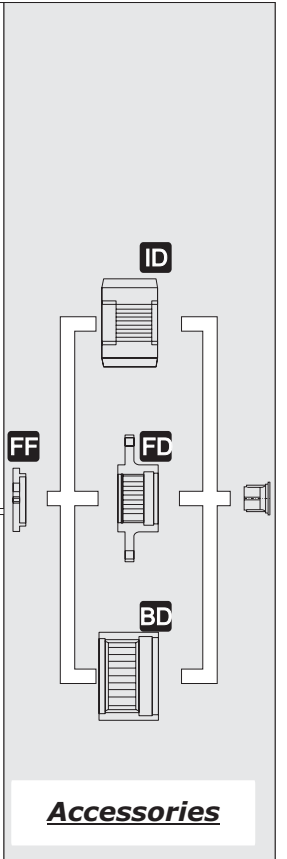
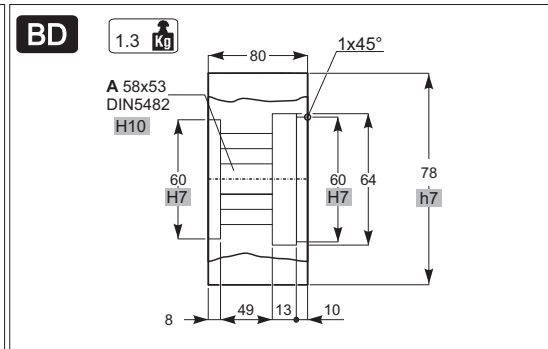
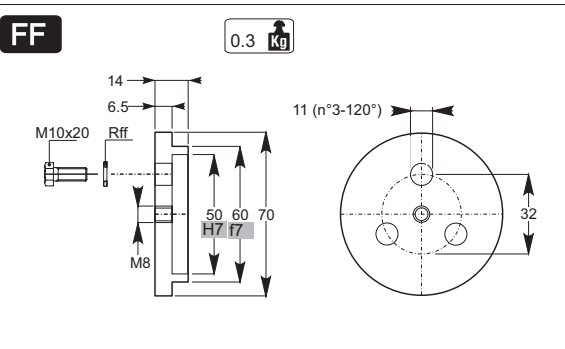
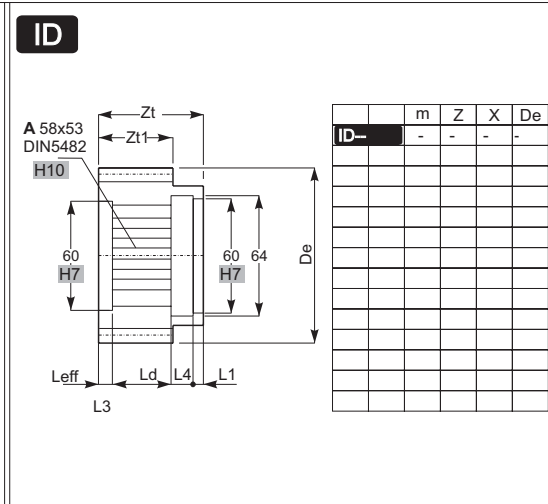
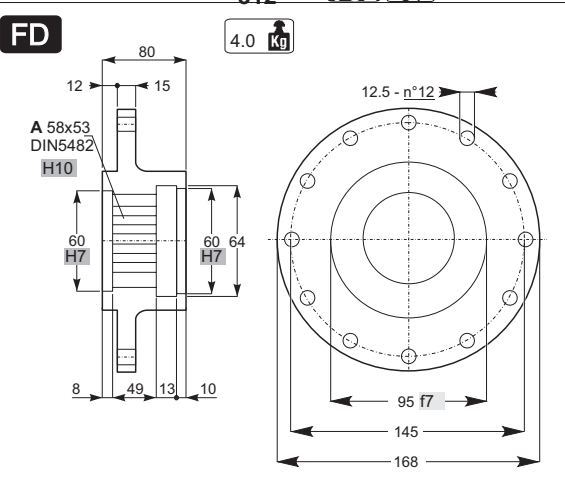
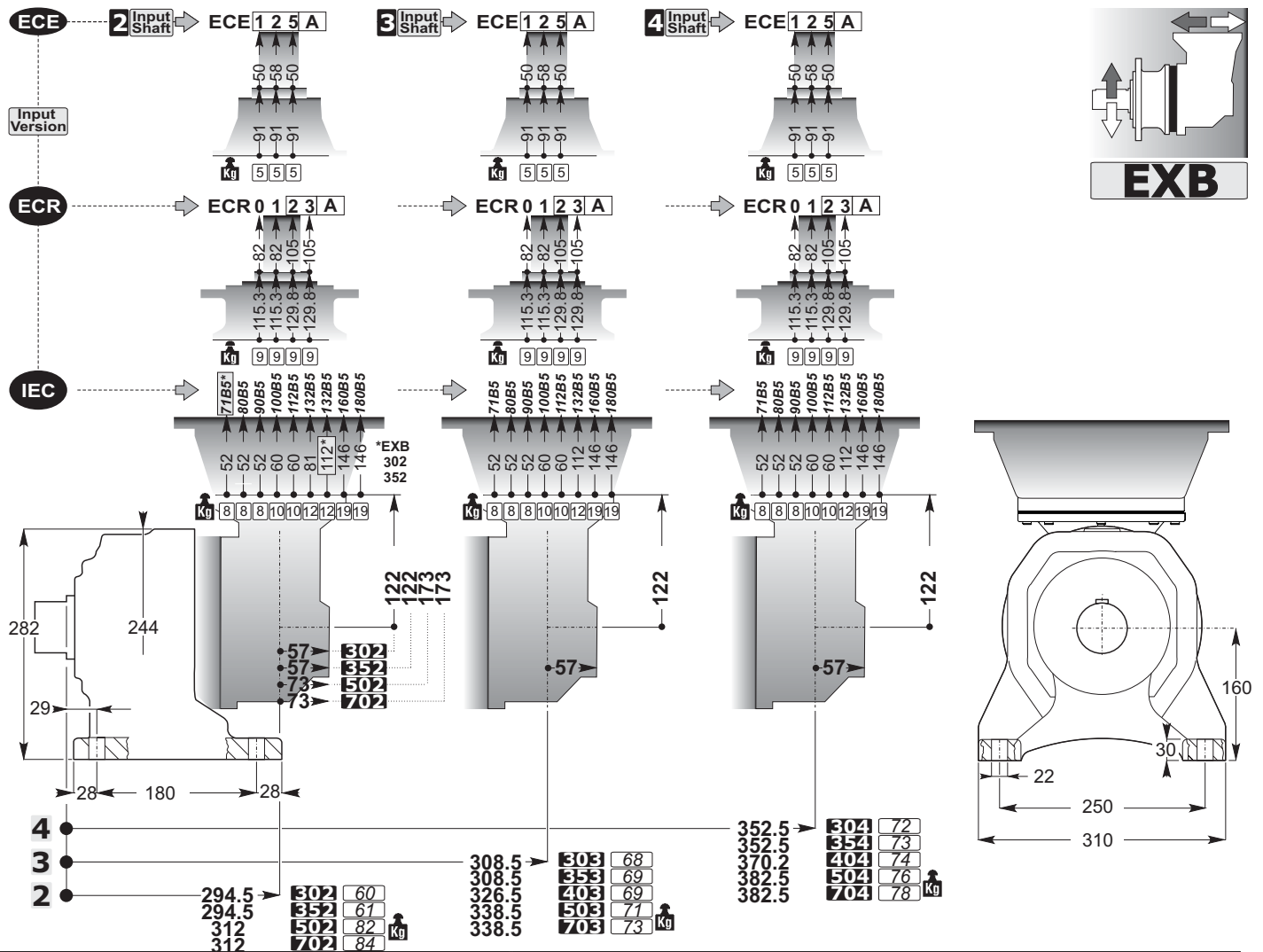




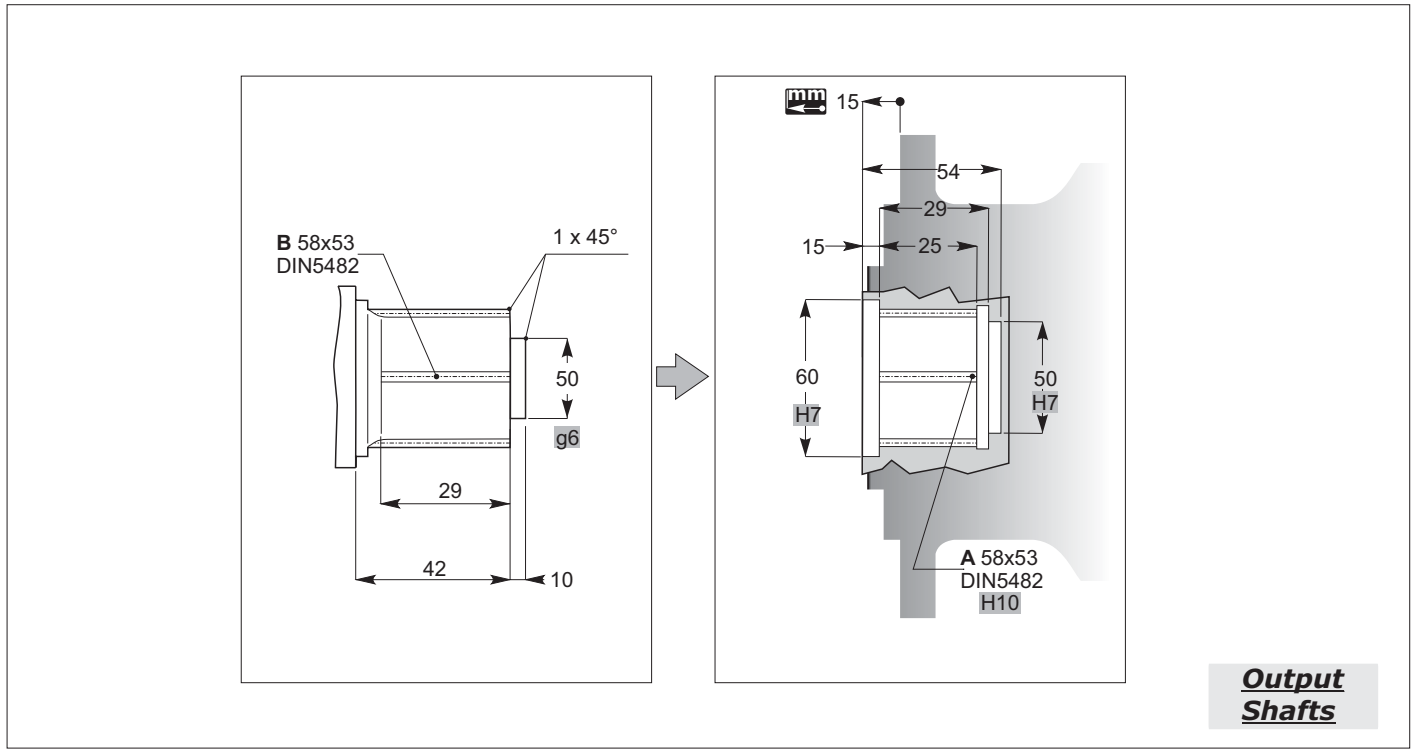
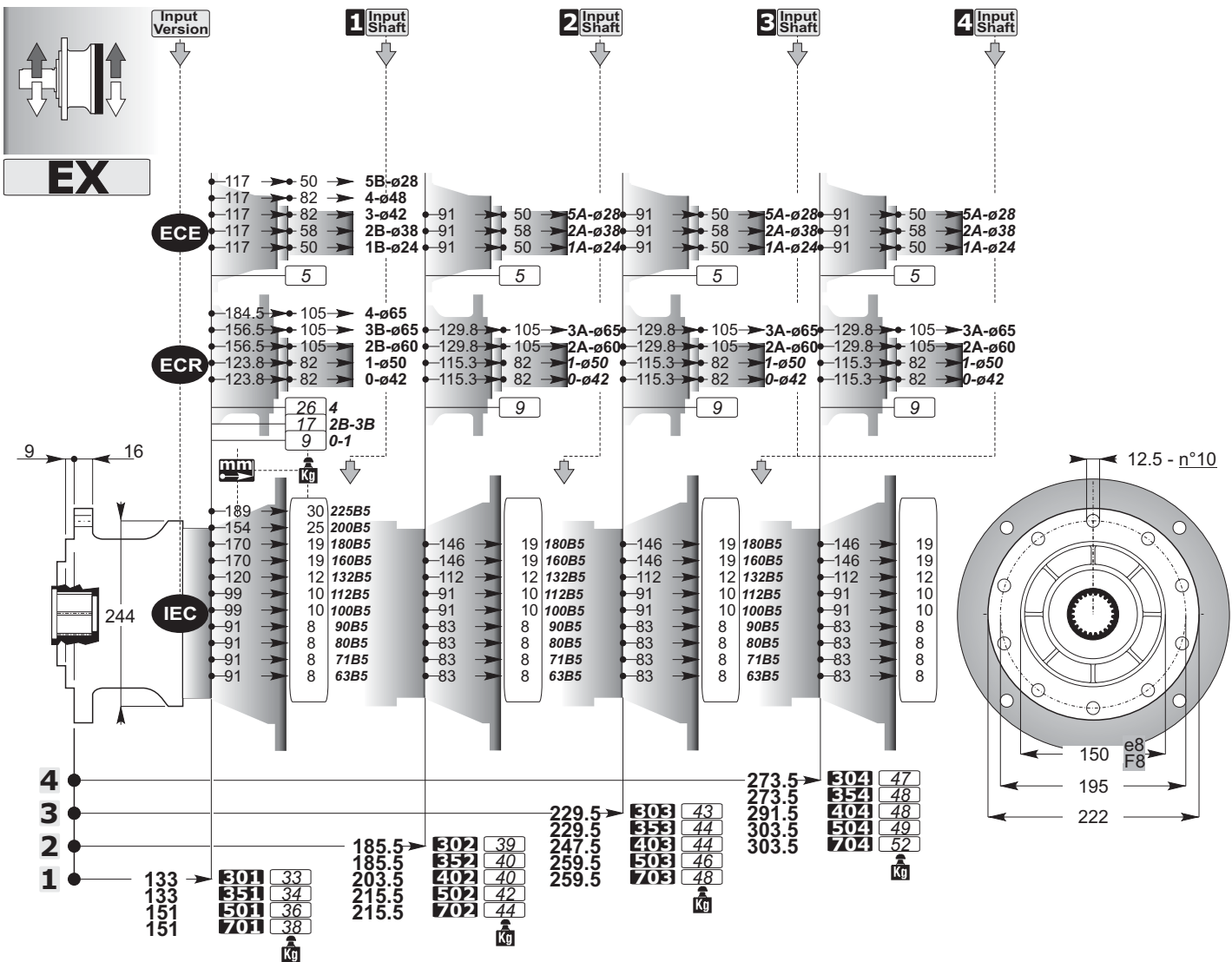
Accessories

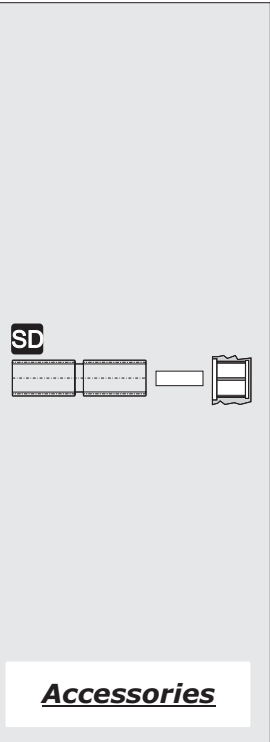
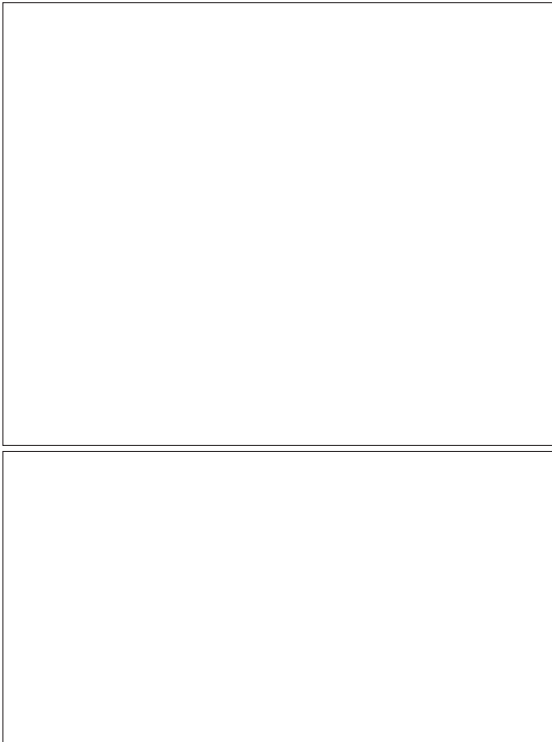
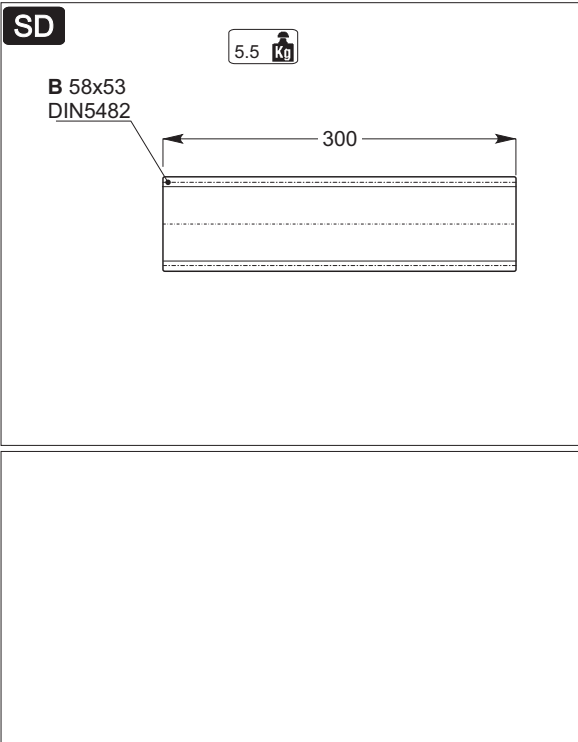
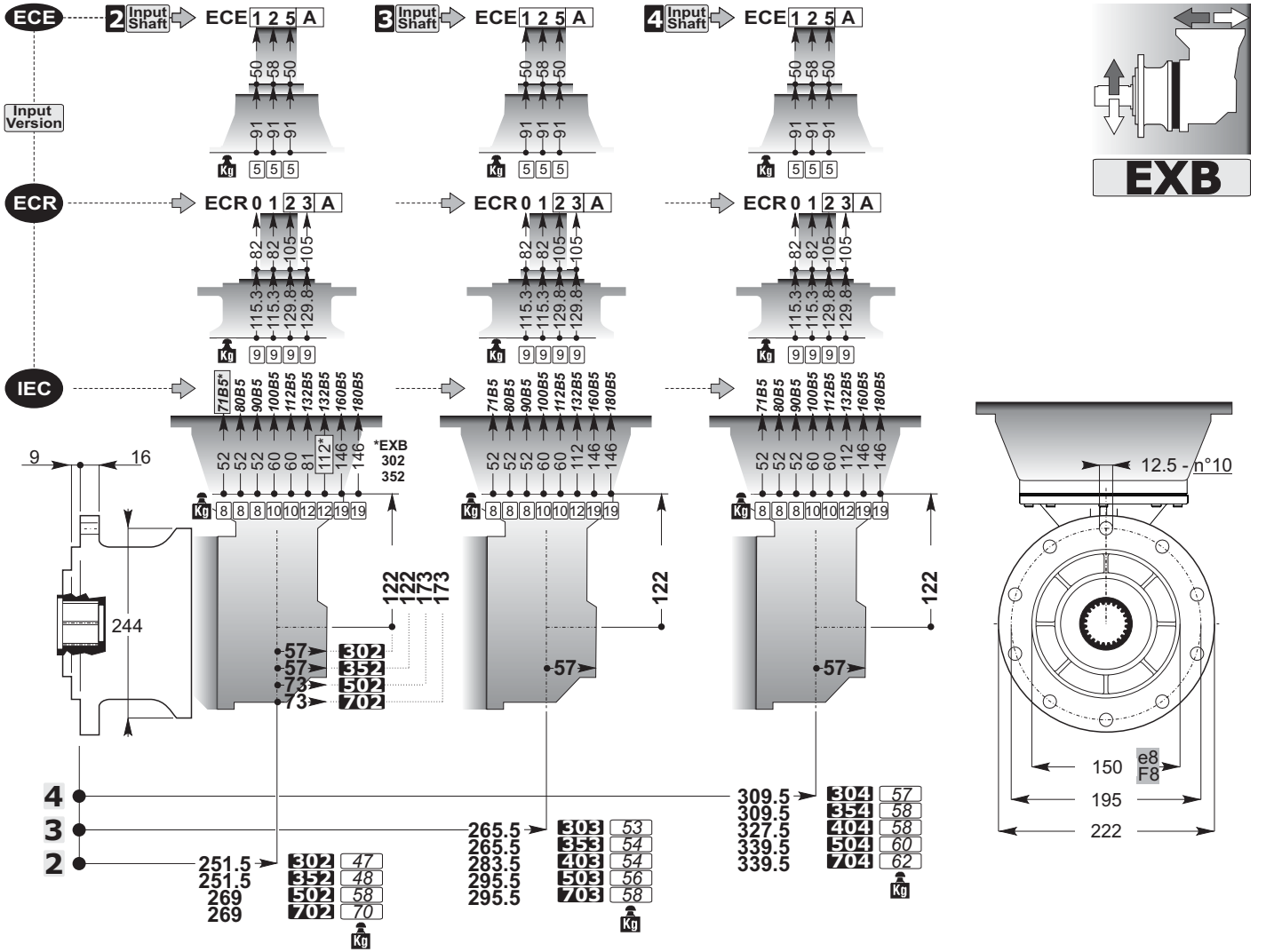
mm C

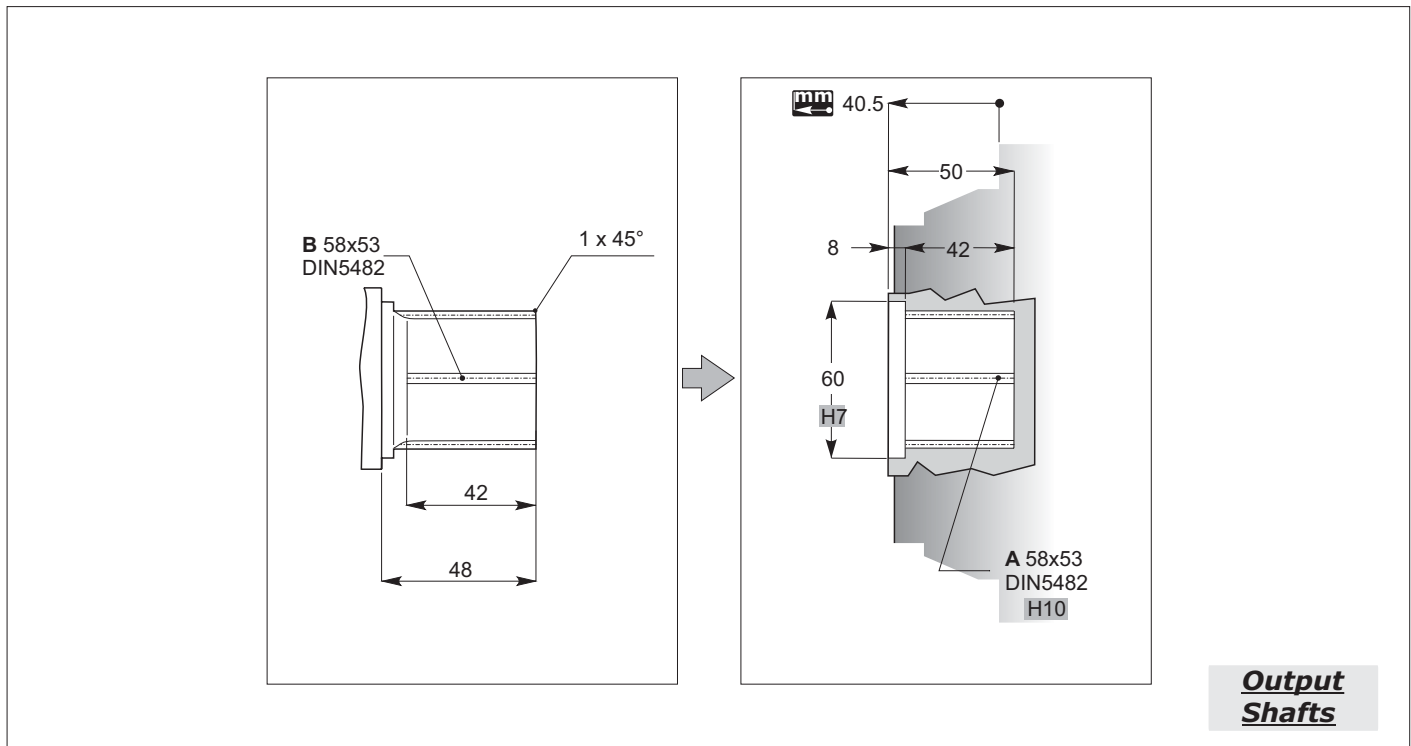
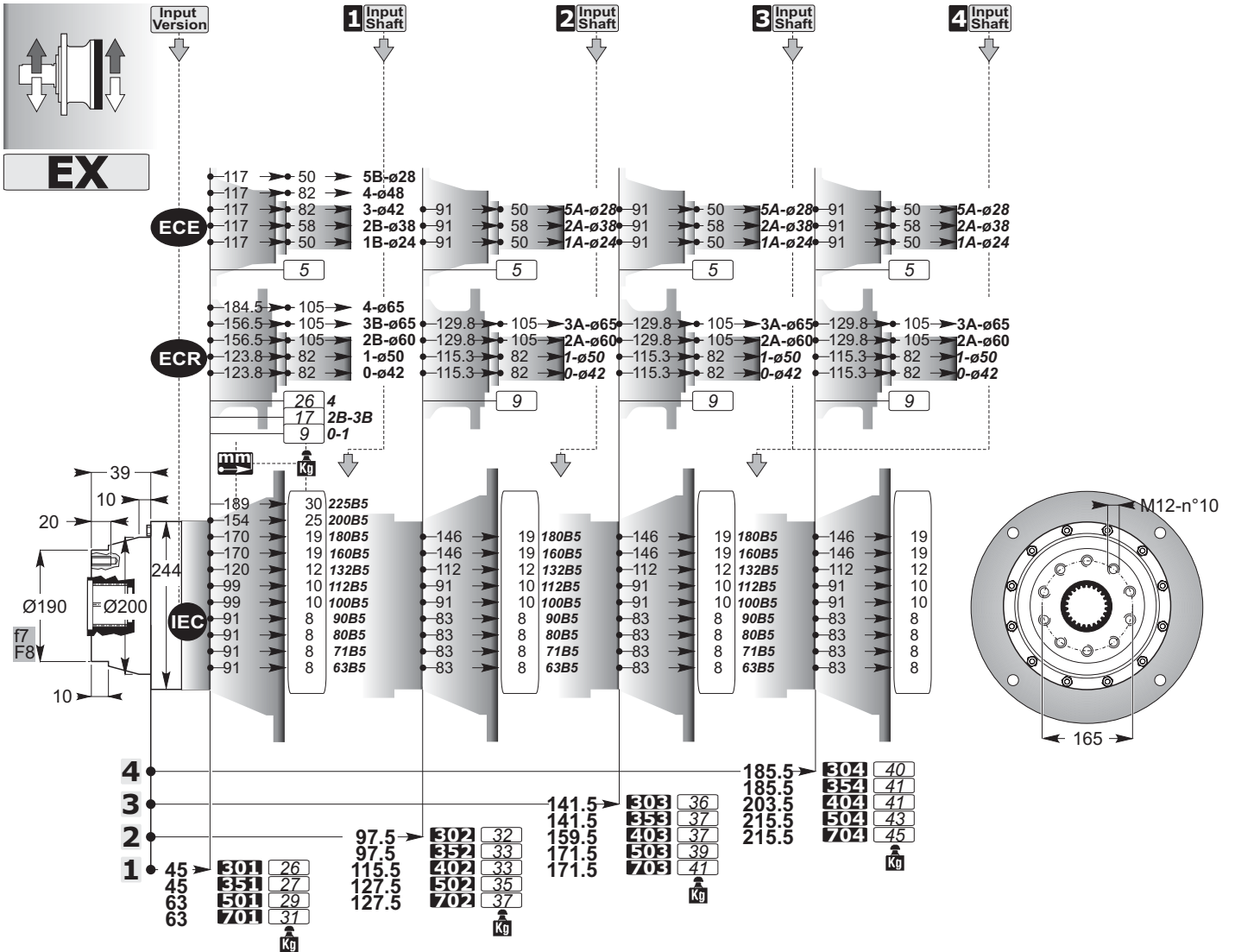


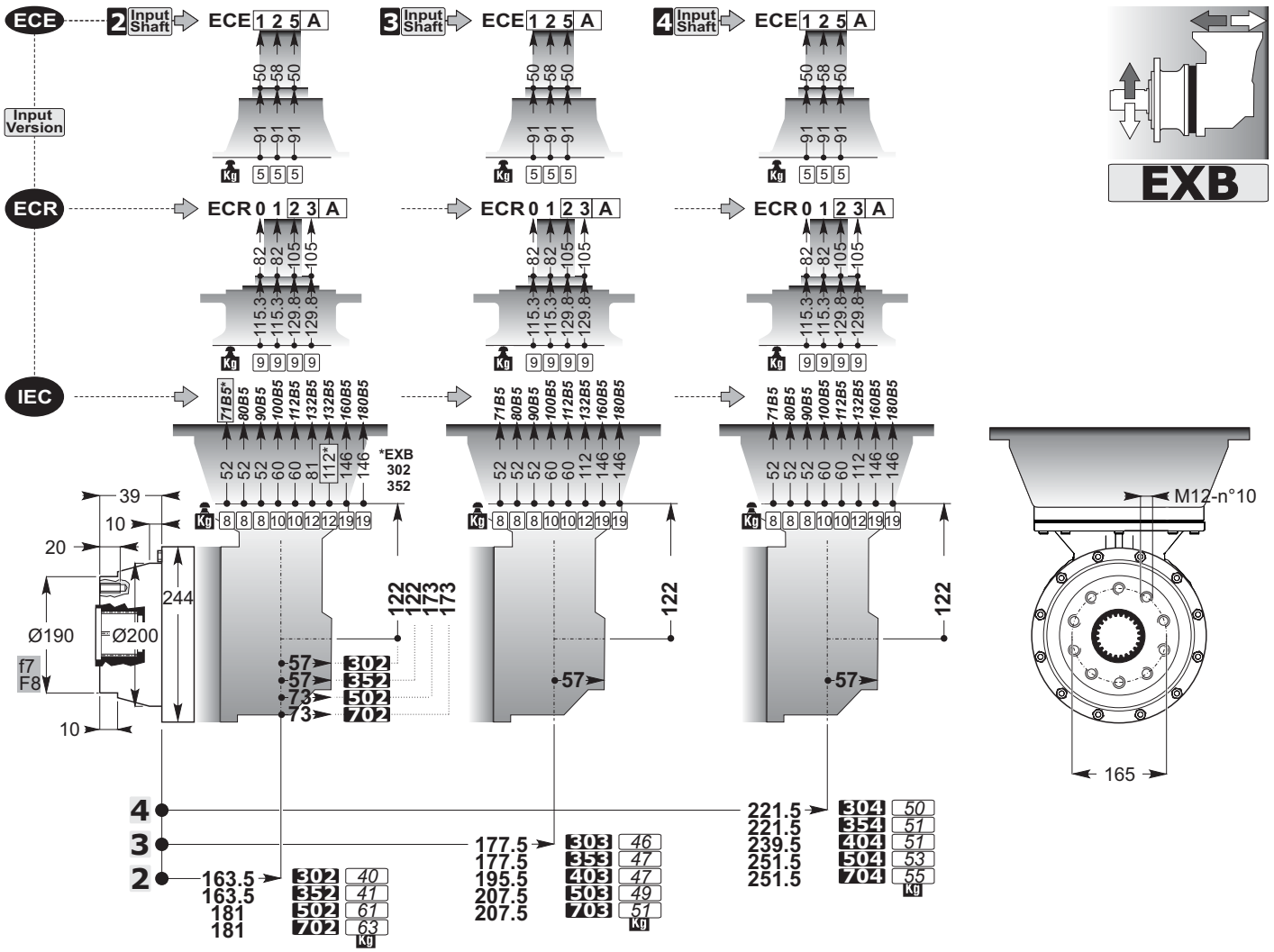


mm C







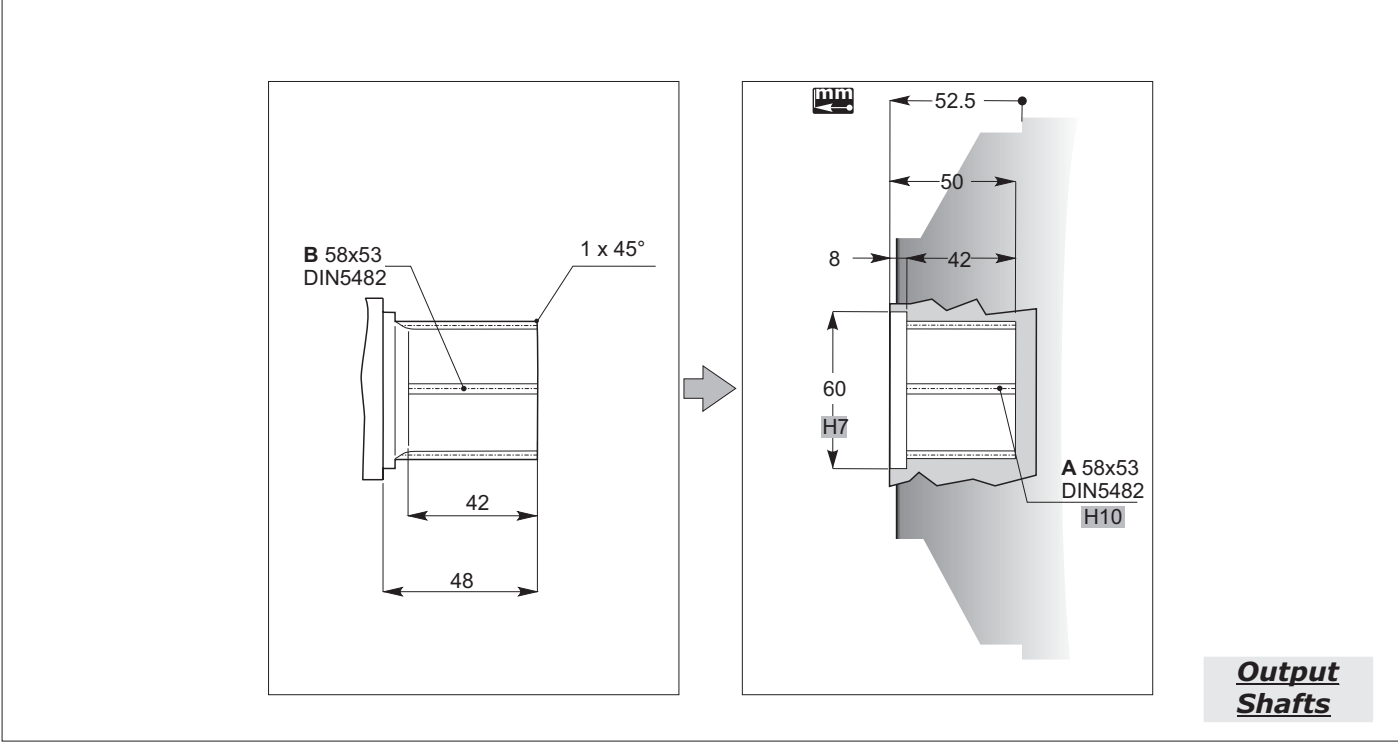
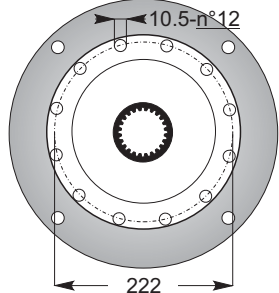
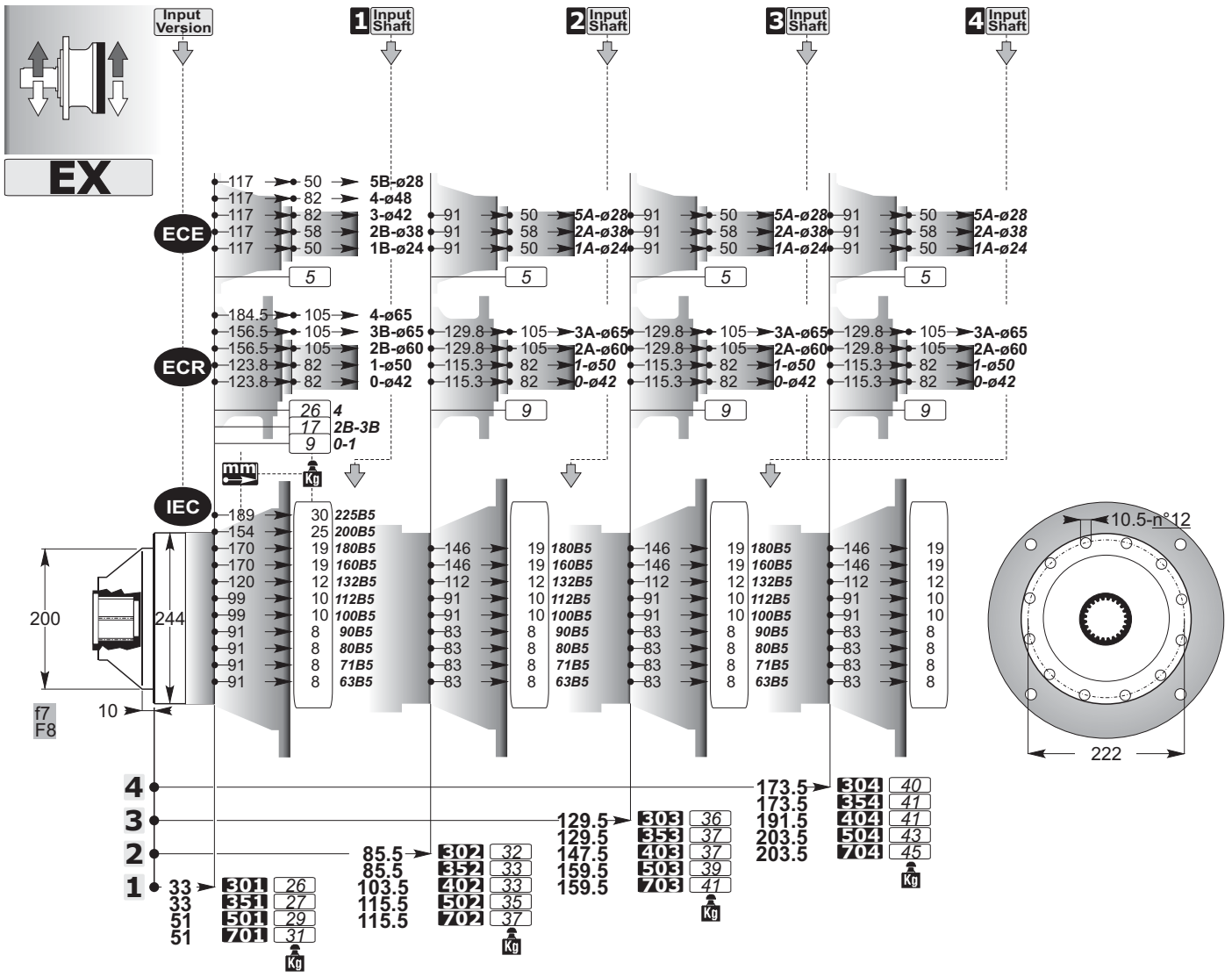


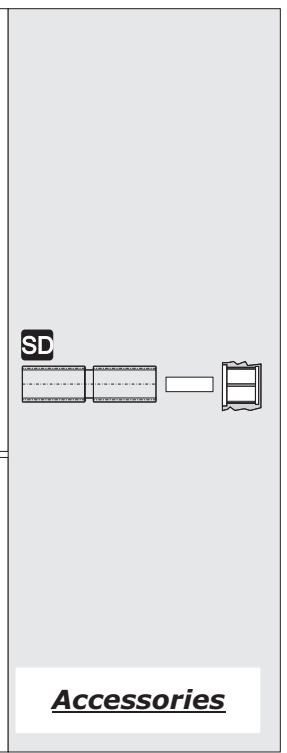
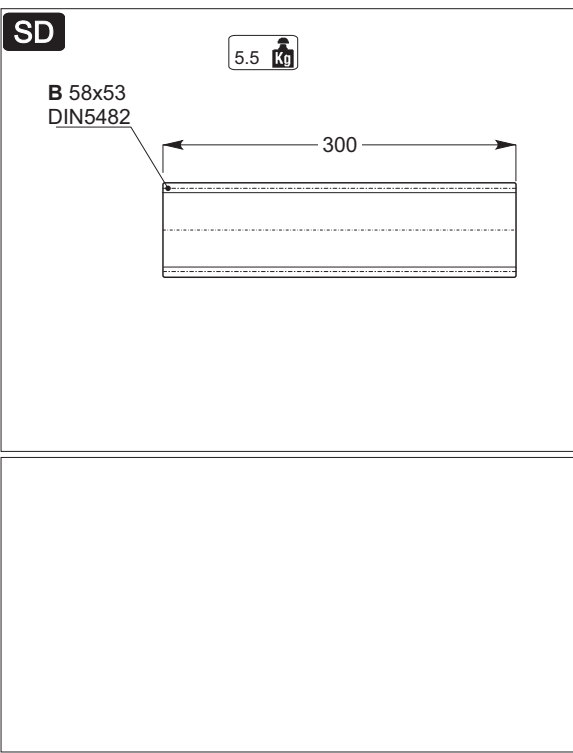
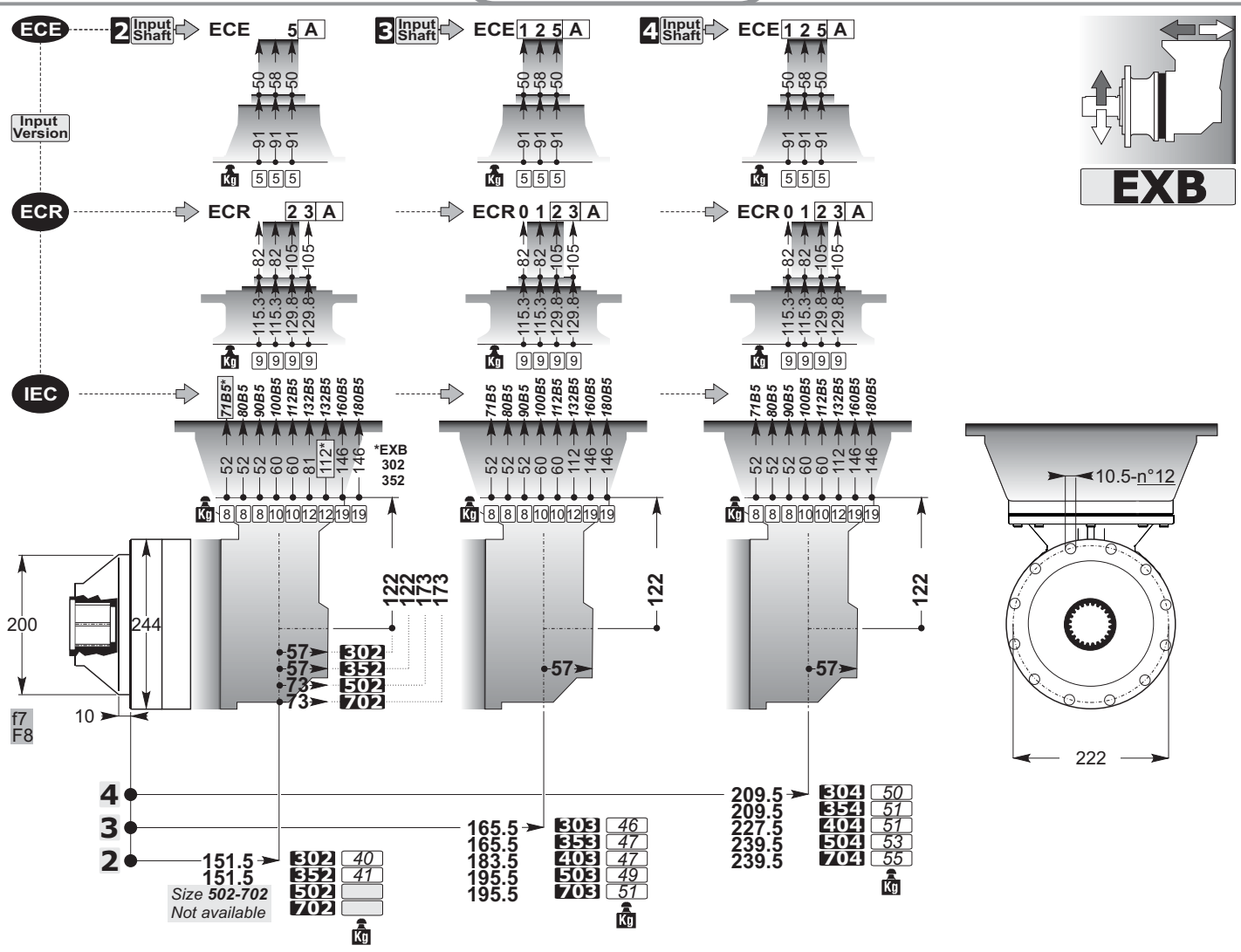
SD 5.5

B 58x53
DIN5482

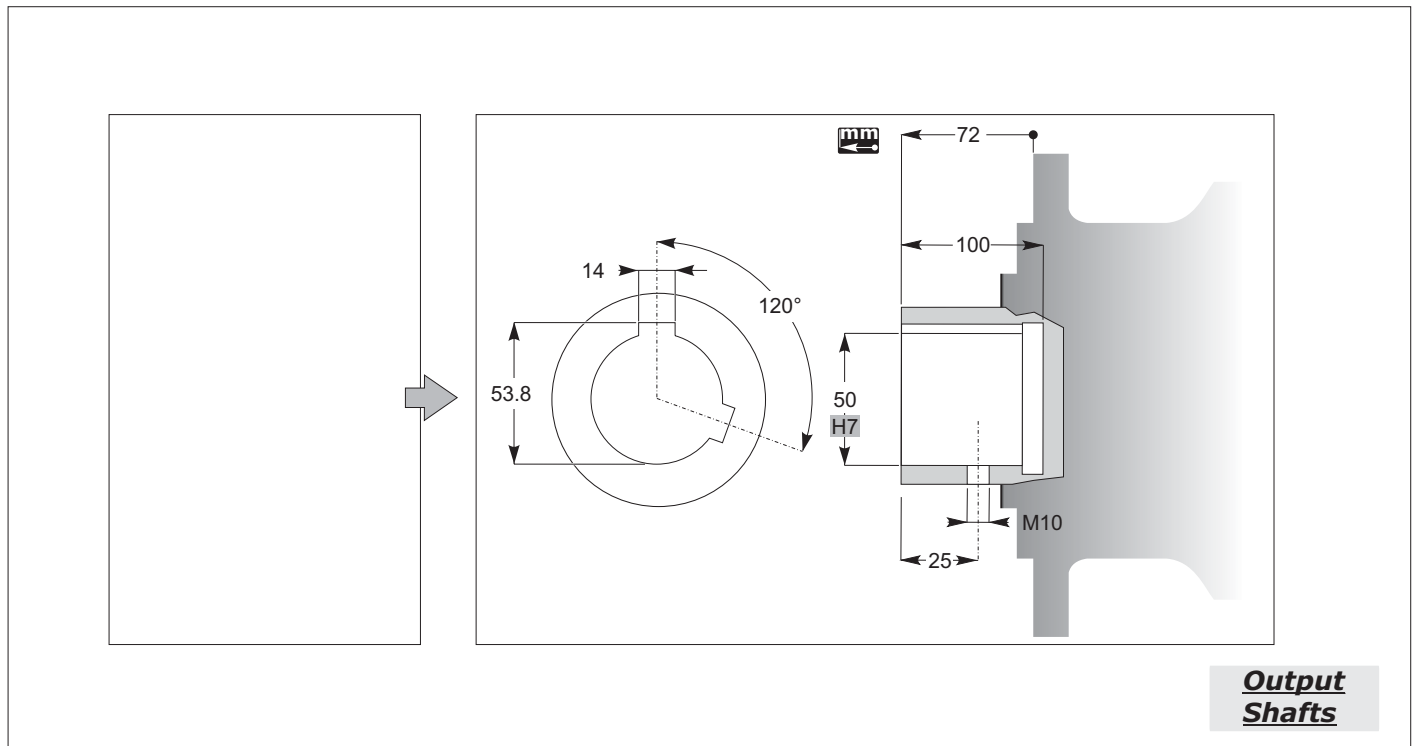
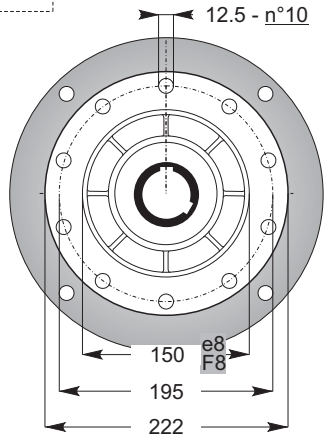
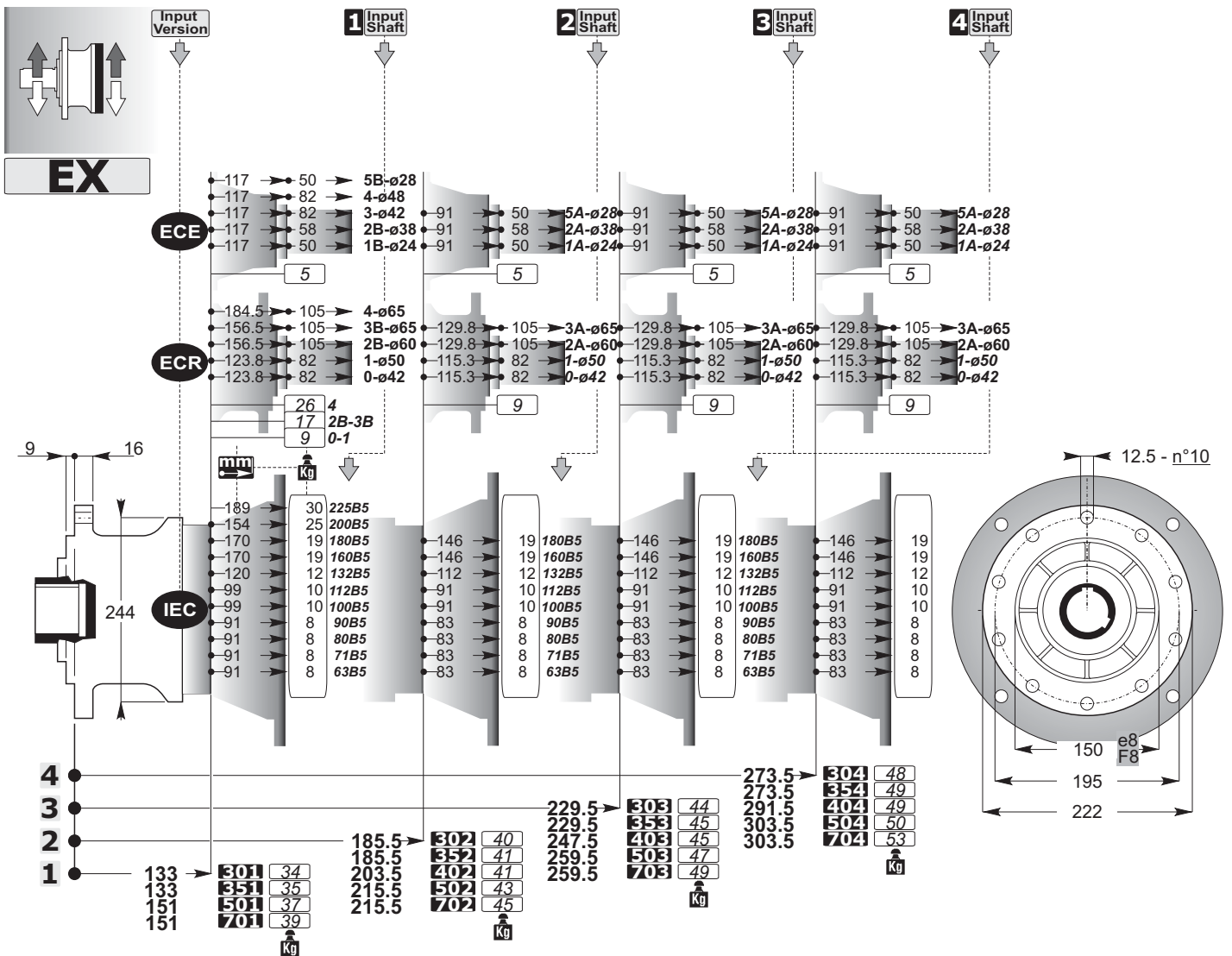
300

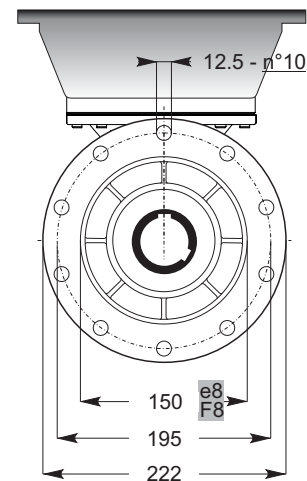
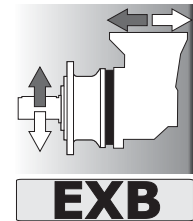
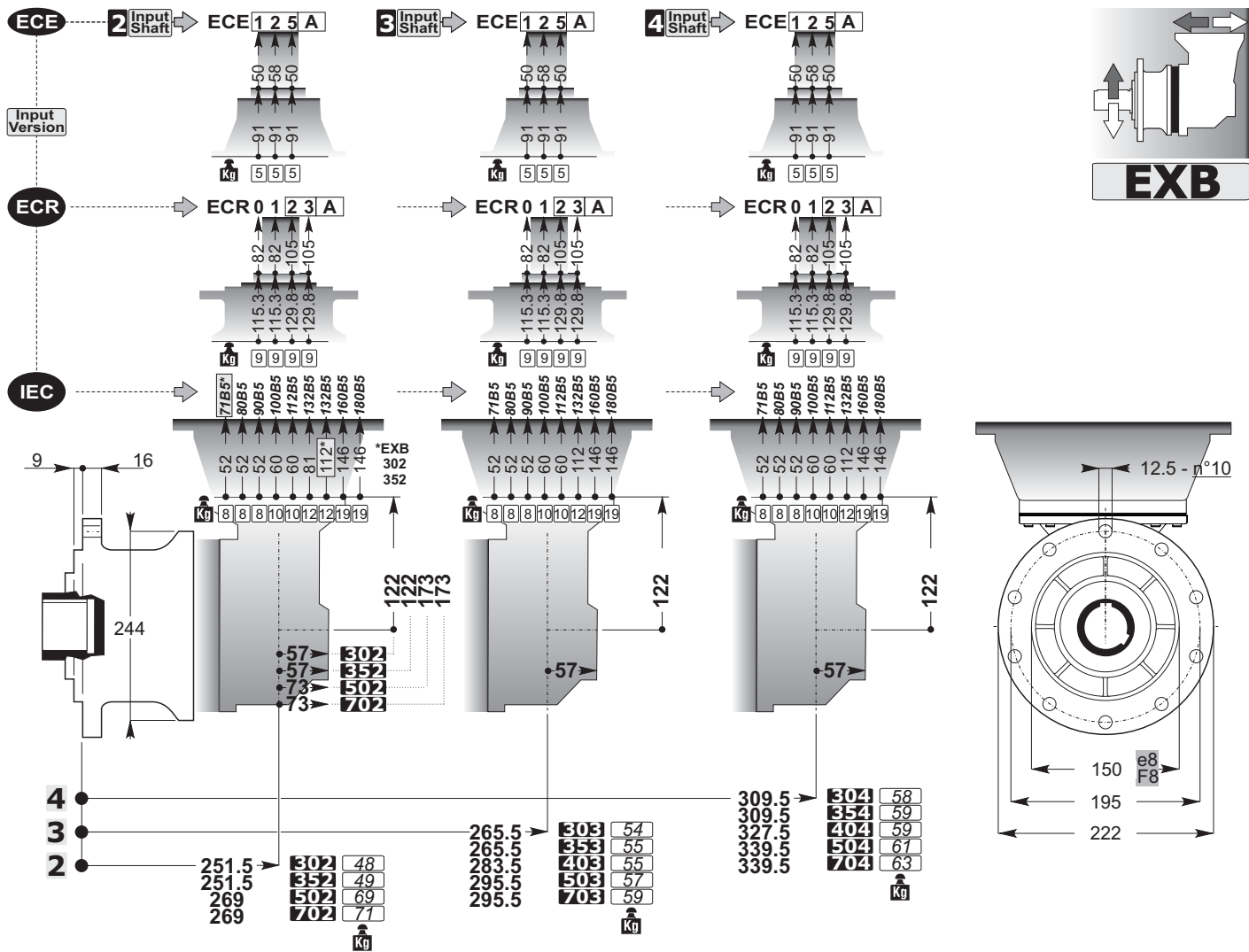
Accessories

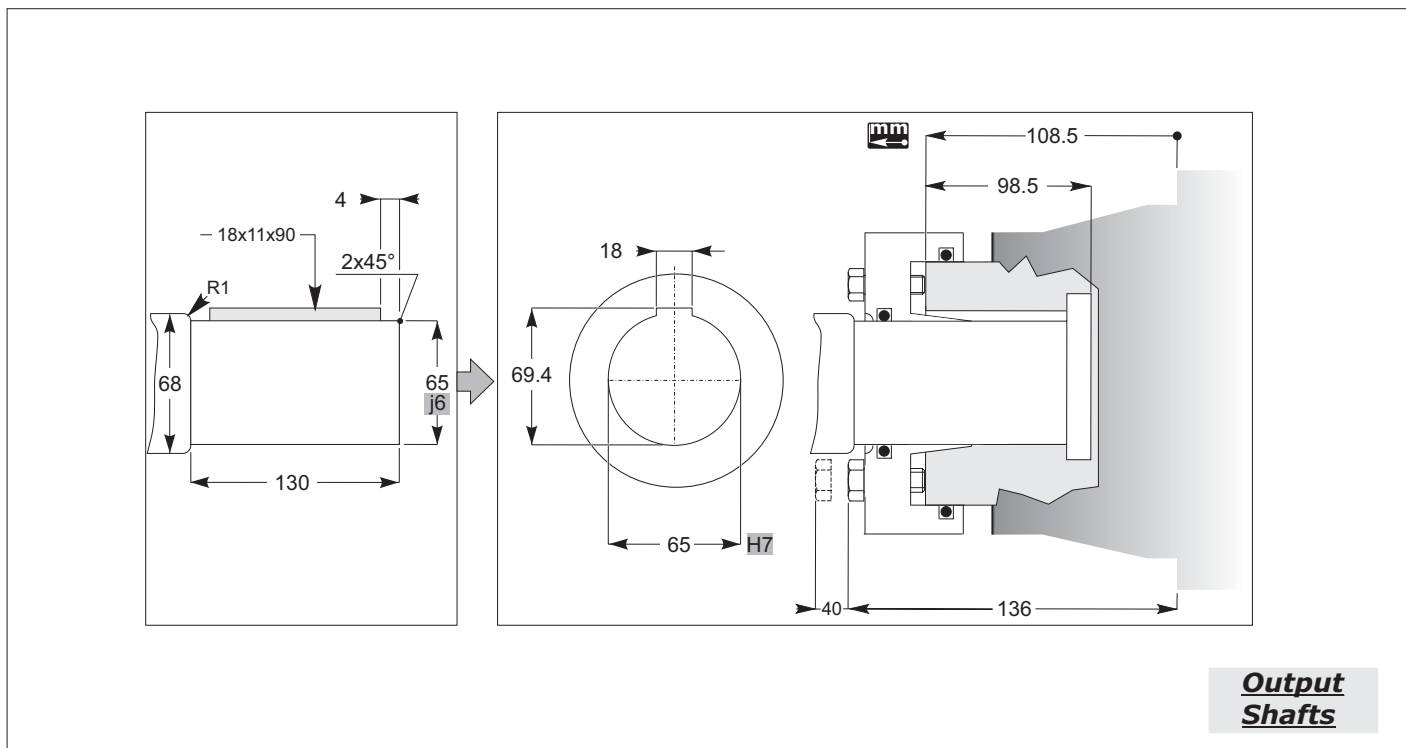
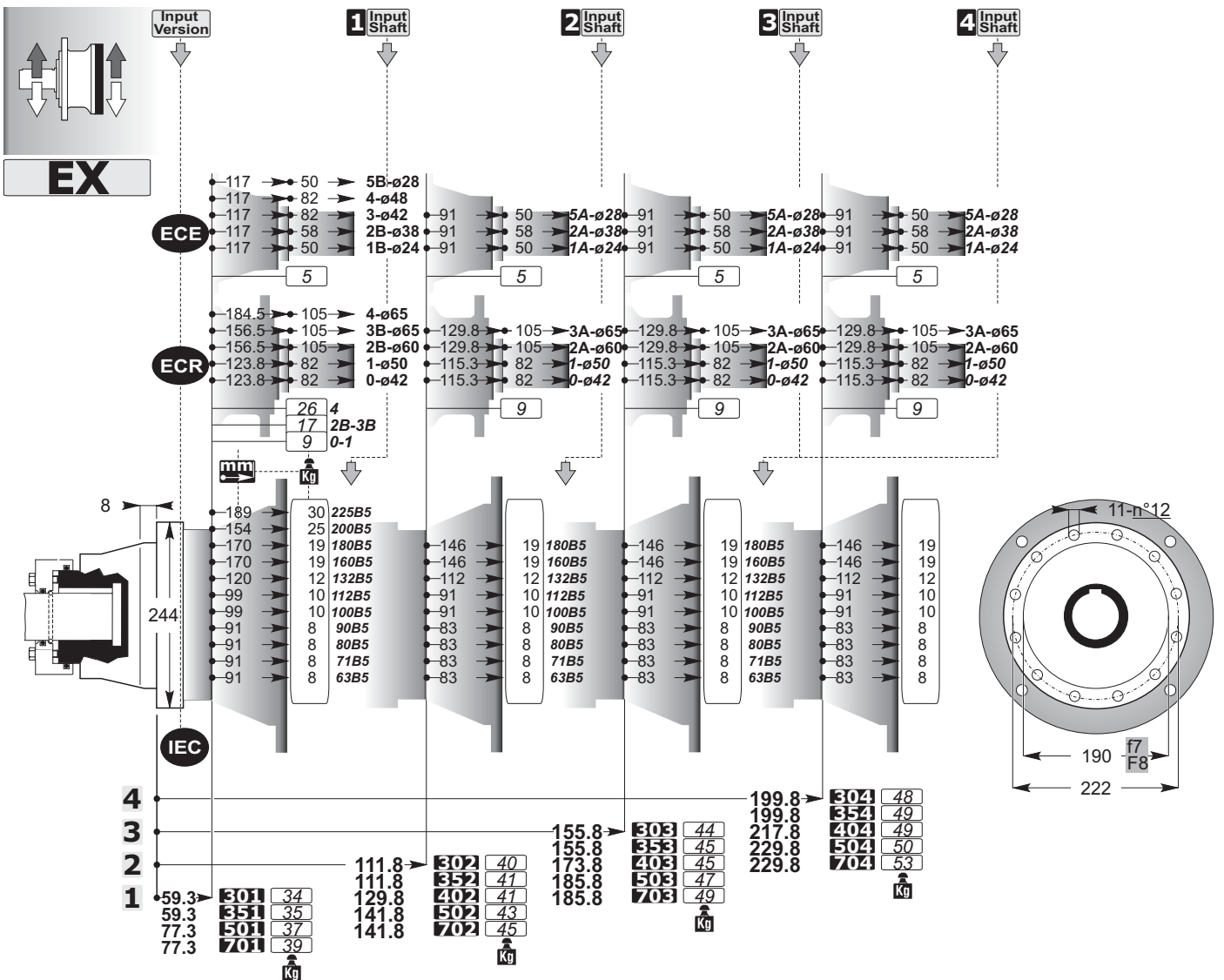


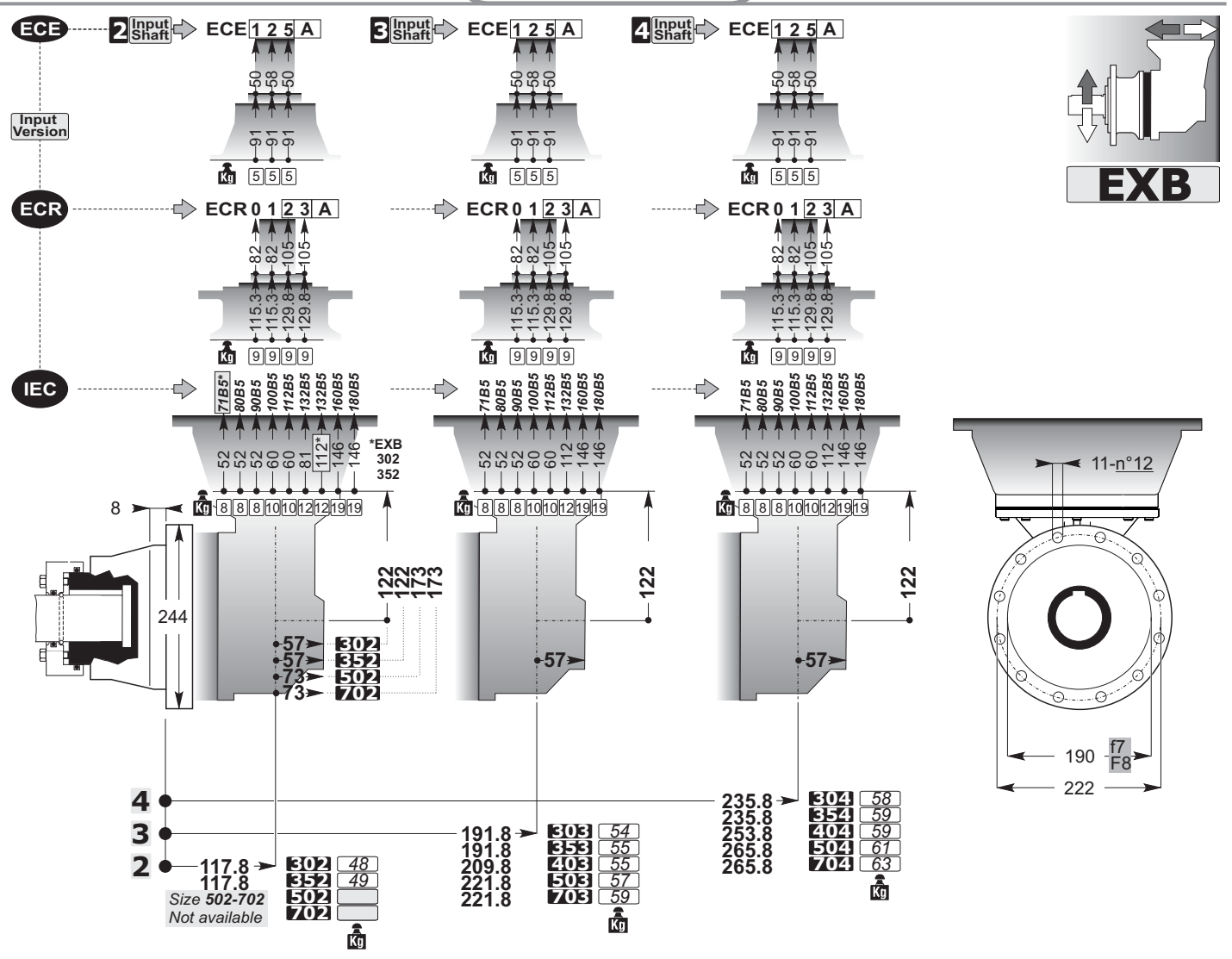


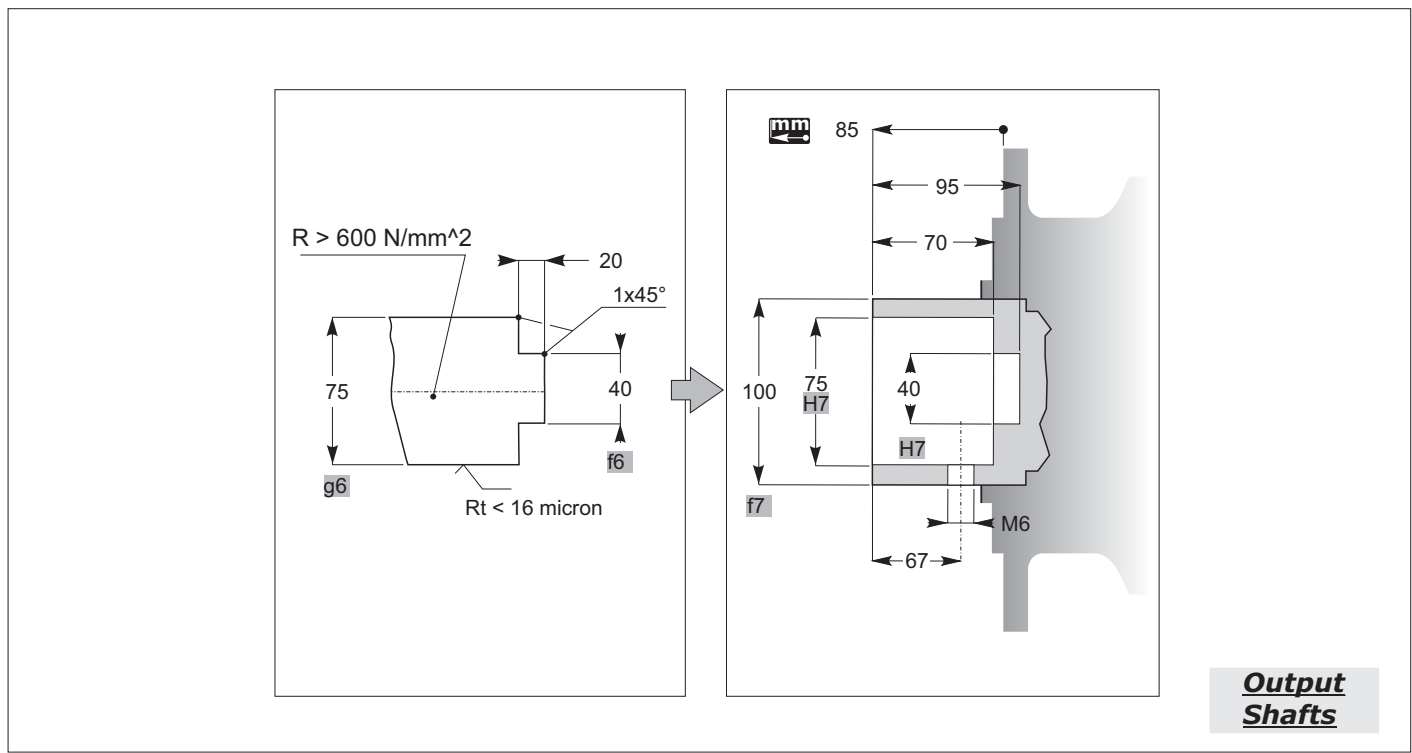
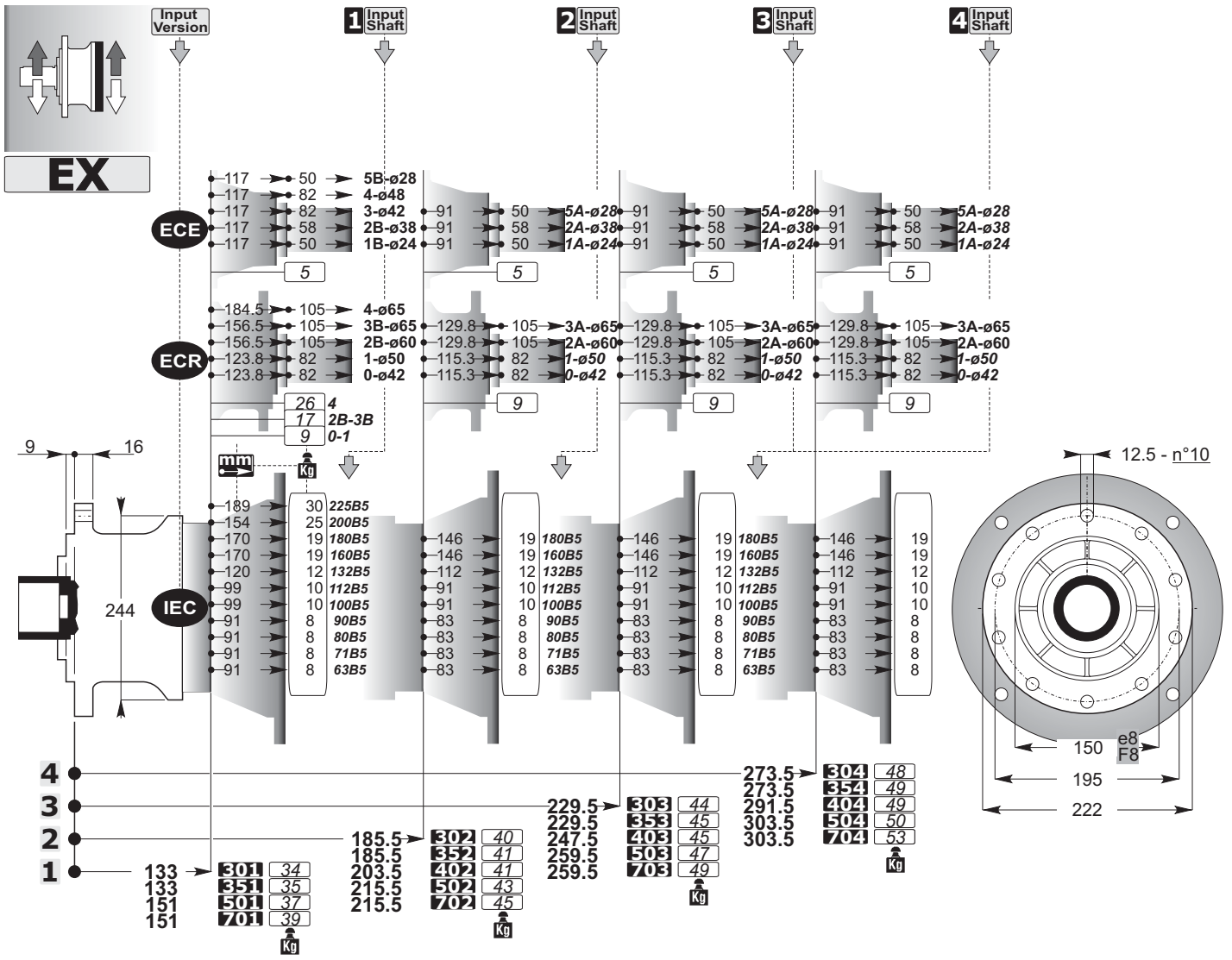
mm
C

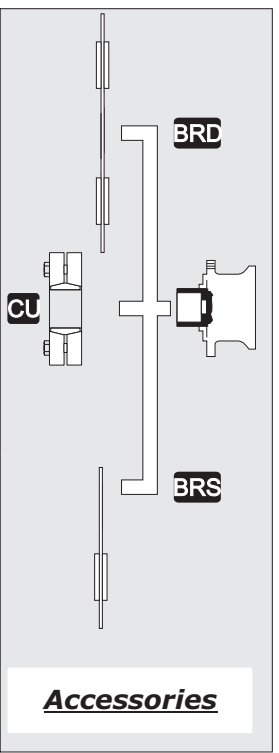
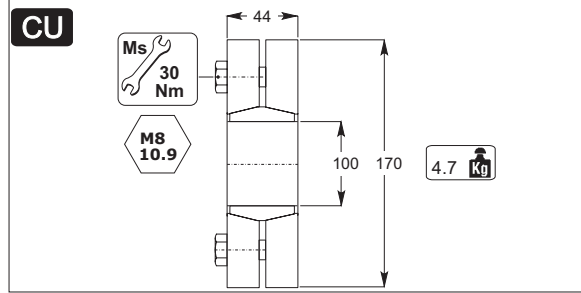
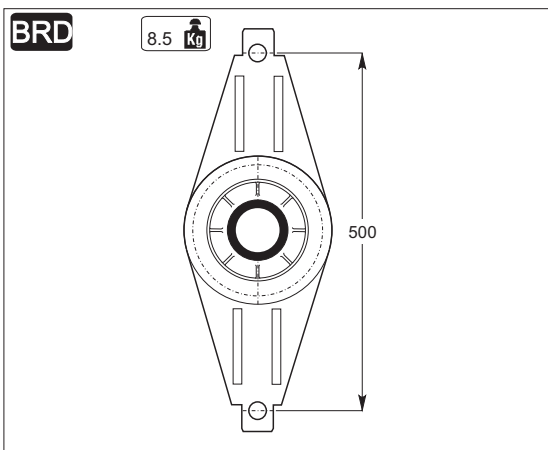
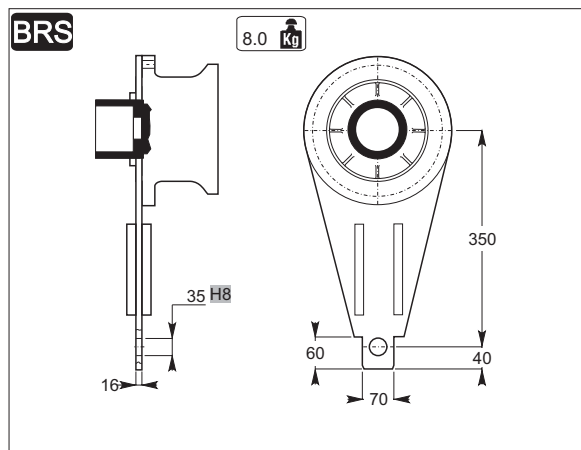
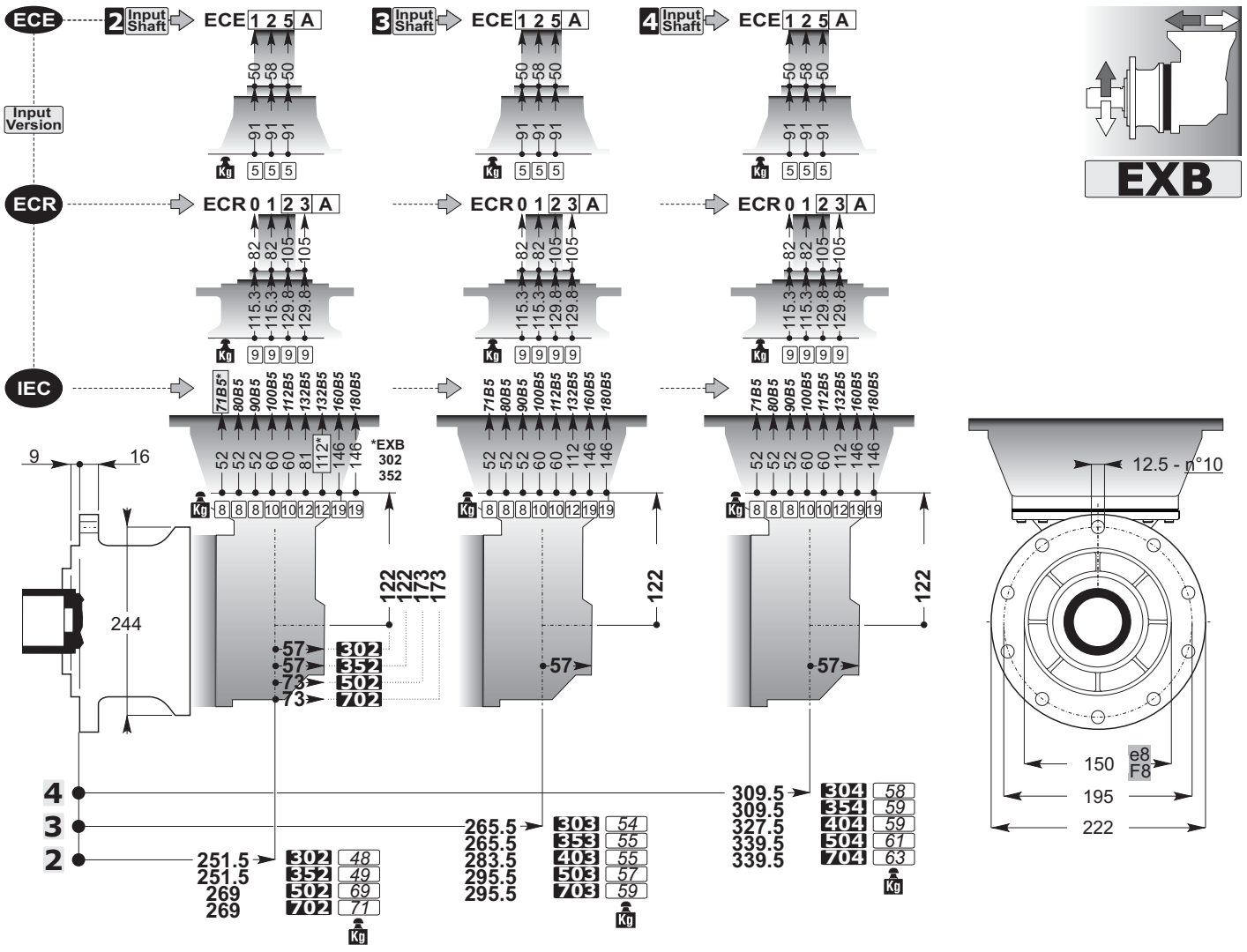




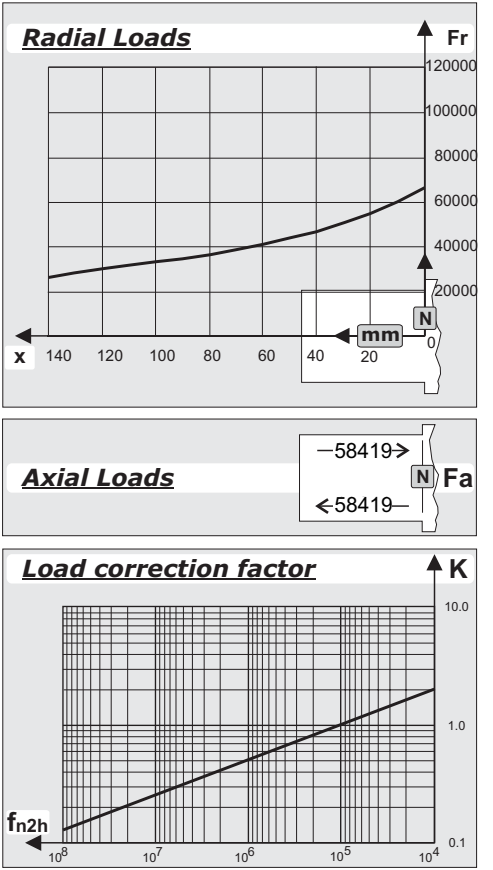
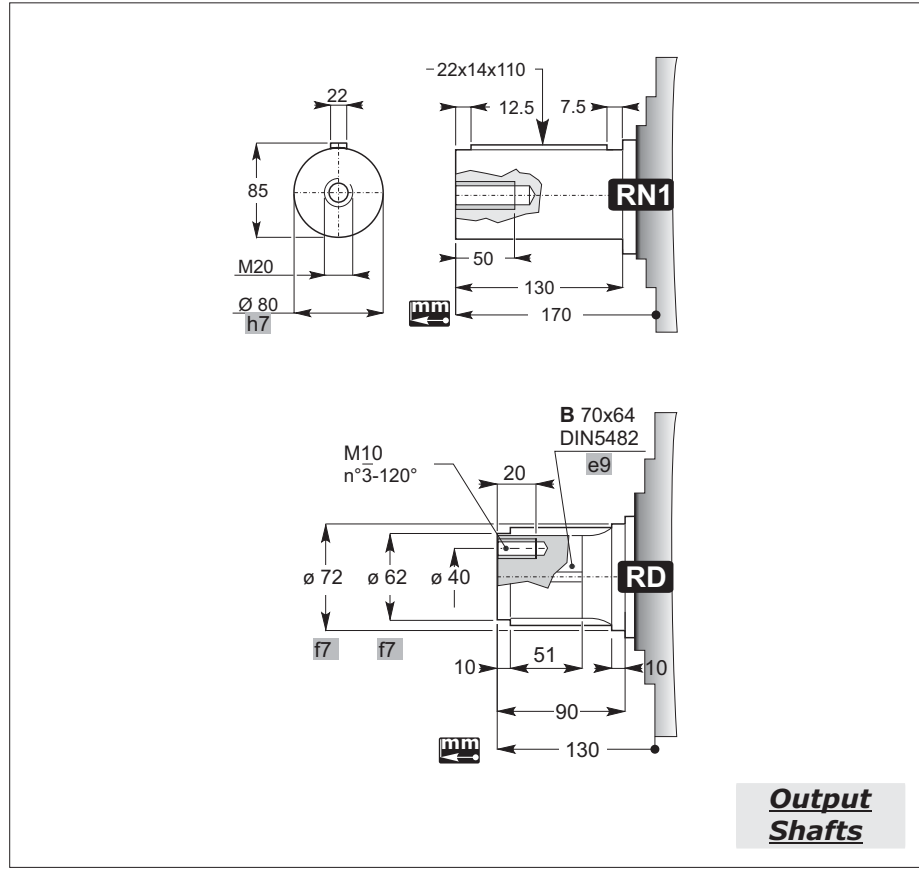
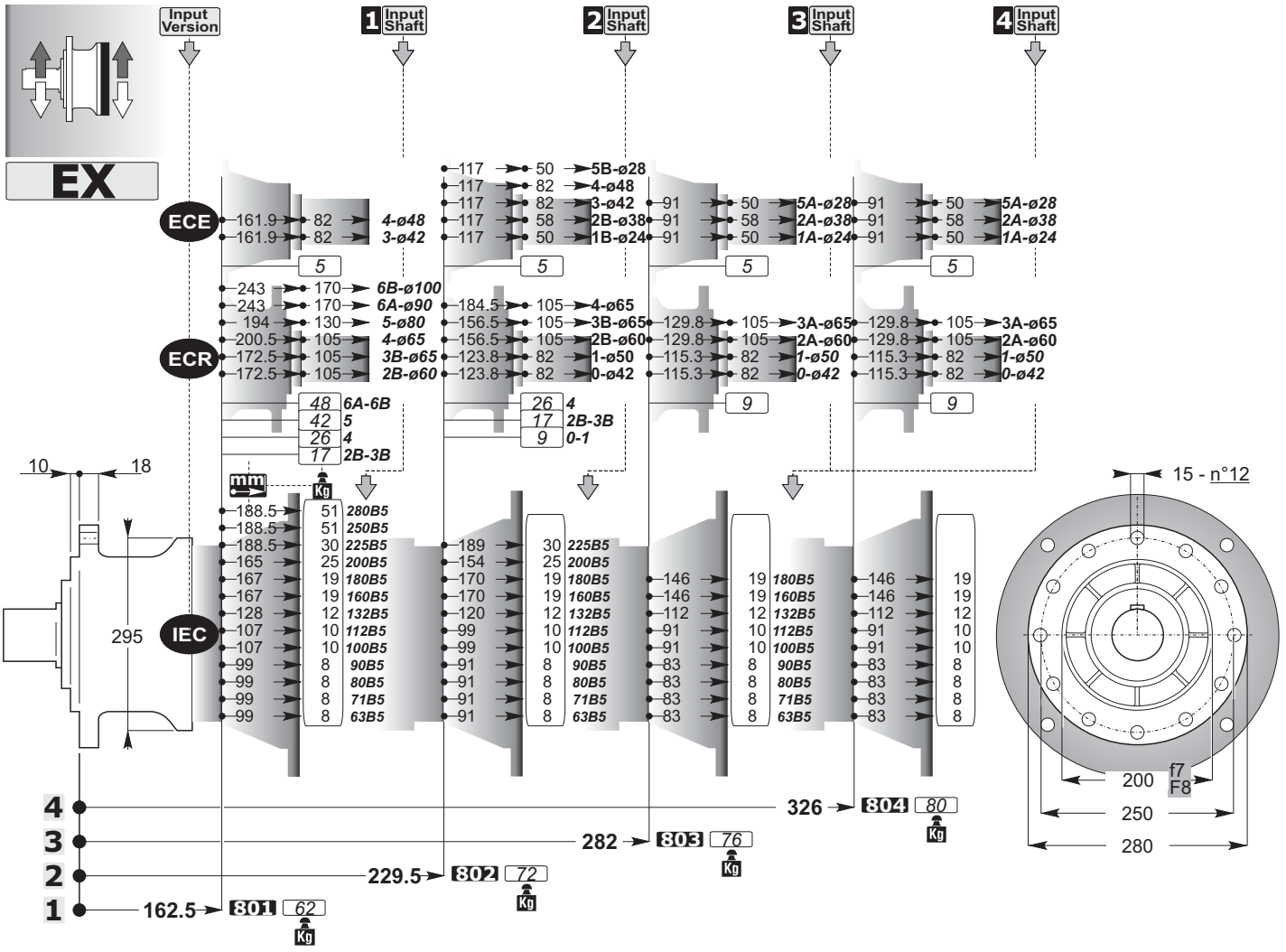


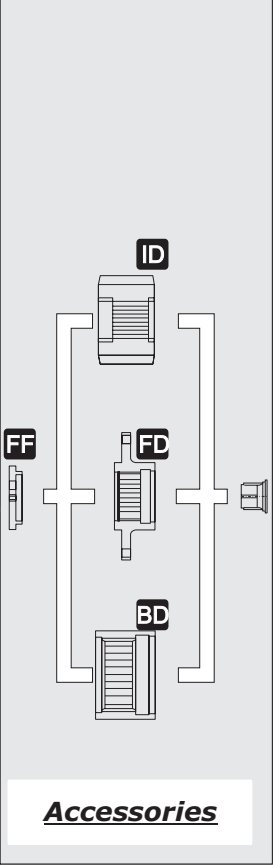
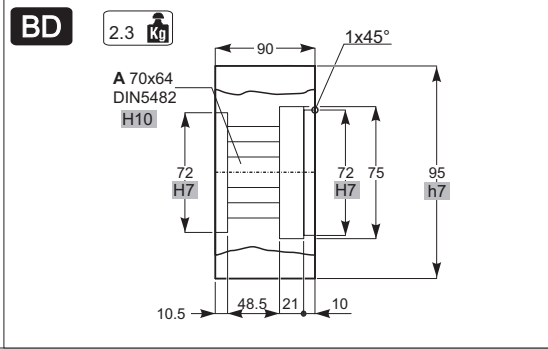
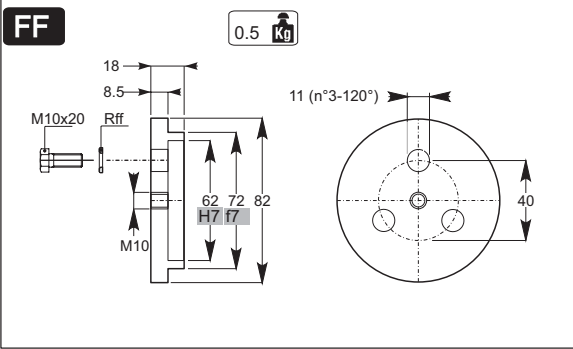
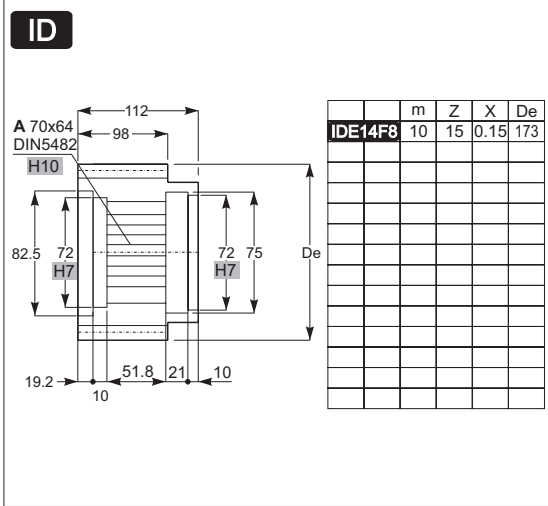
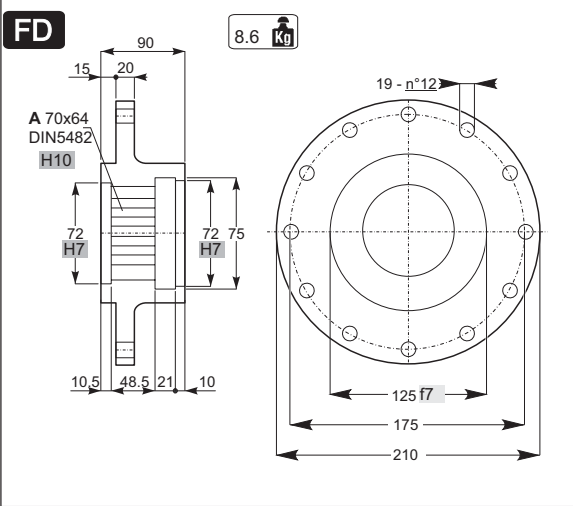
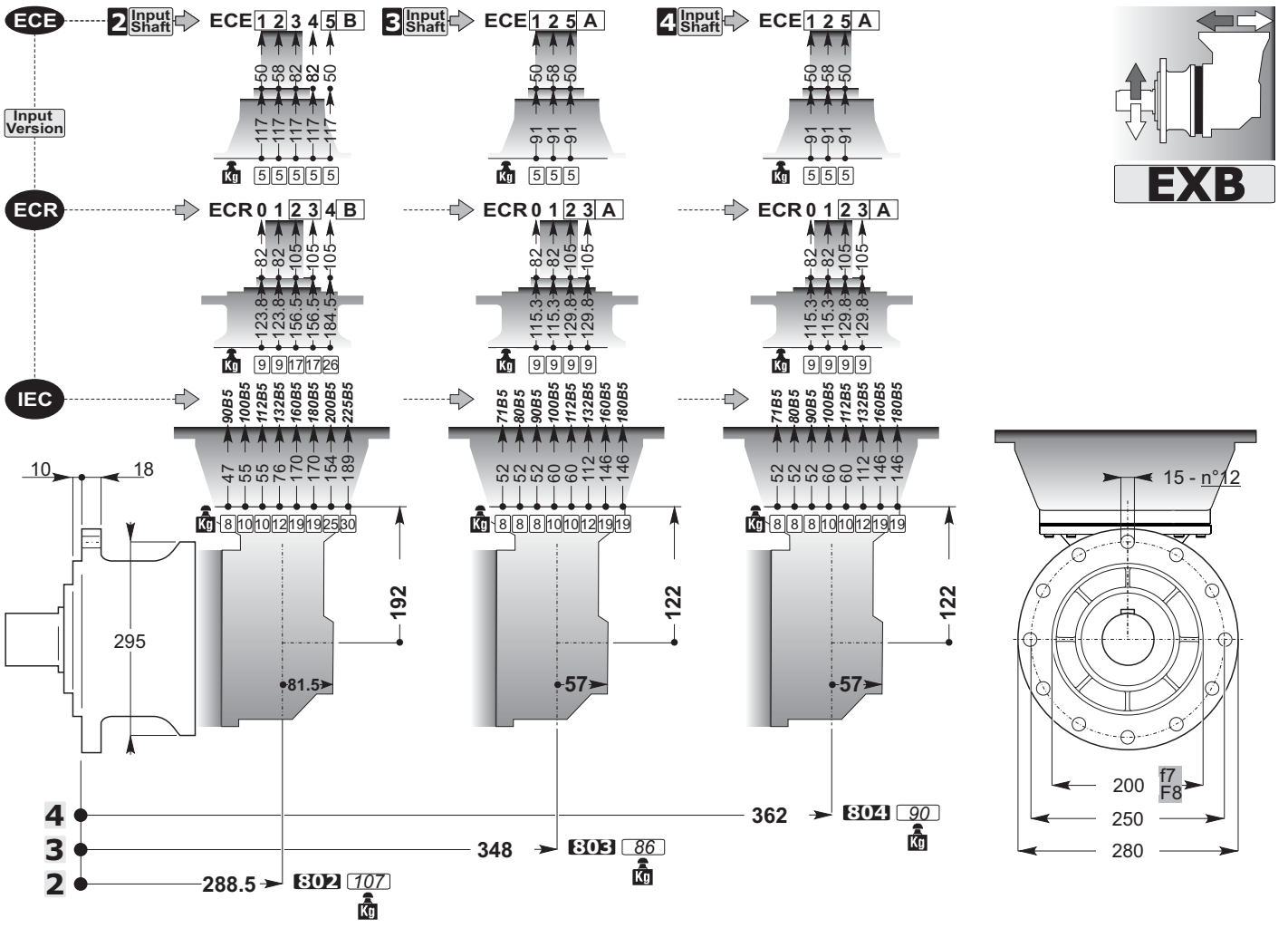






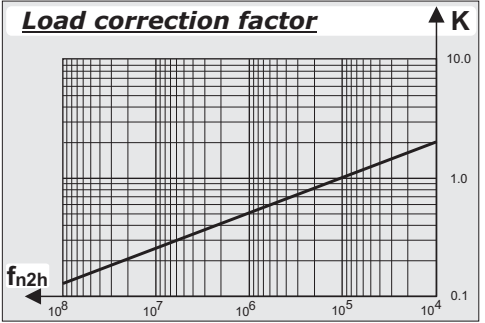
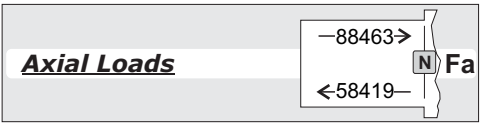
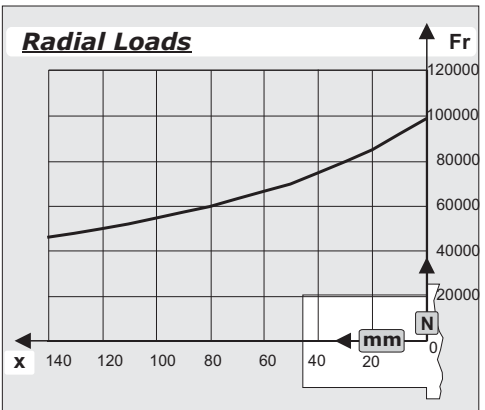
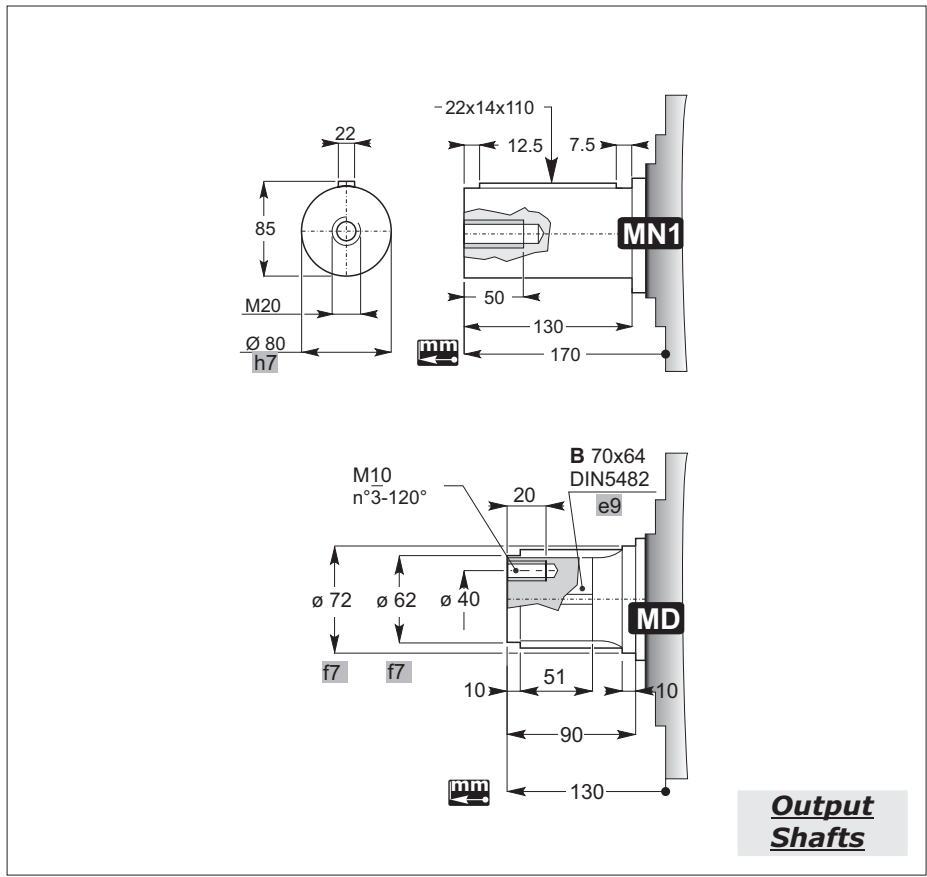
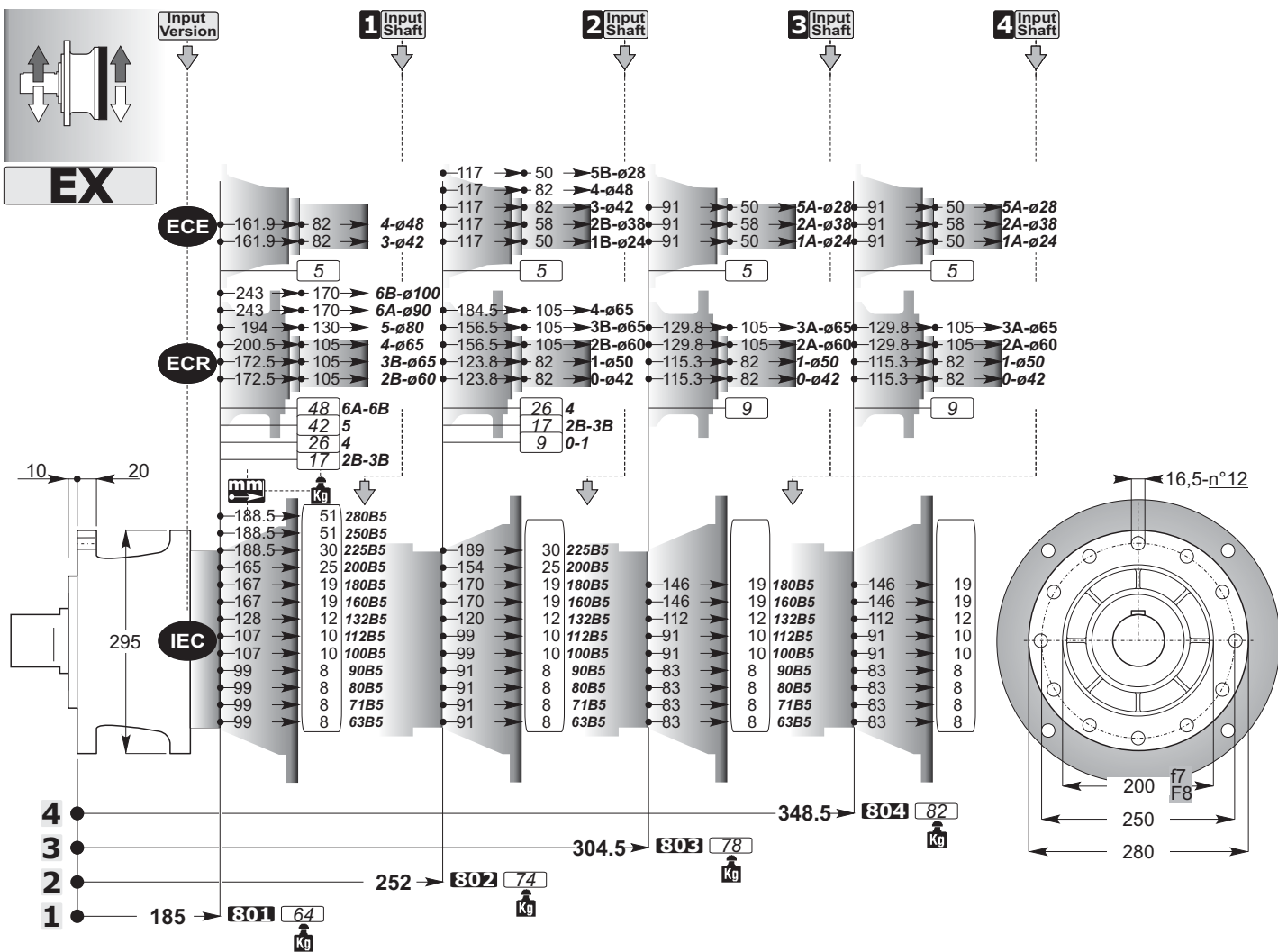
mm
C

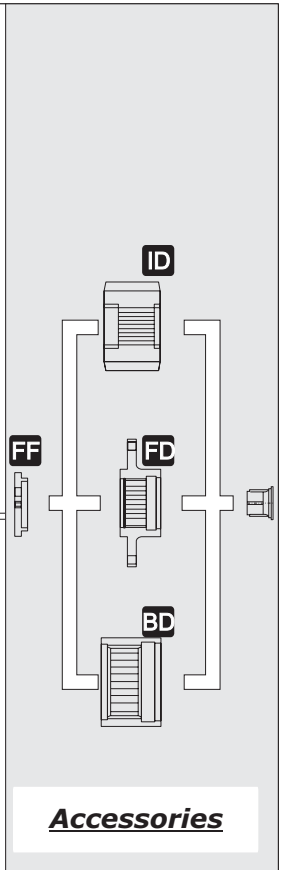
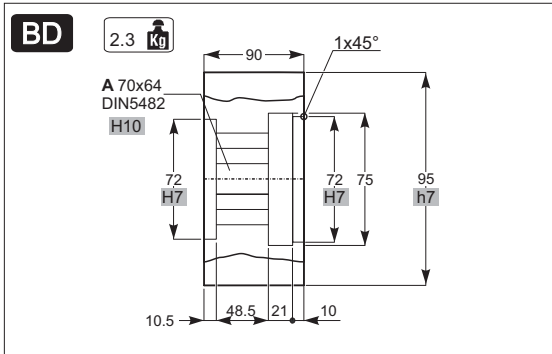
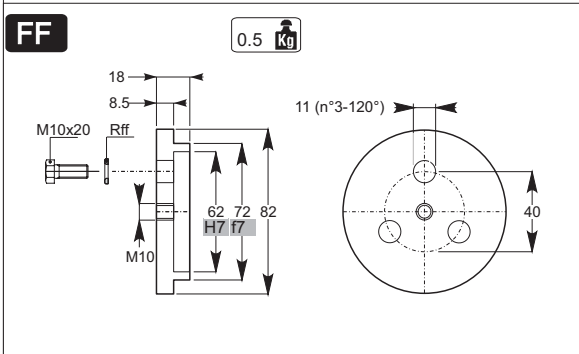
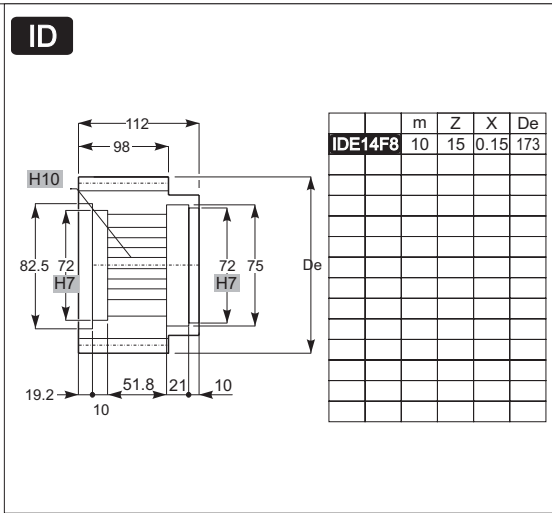
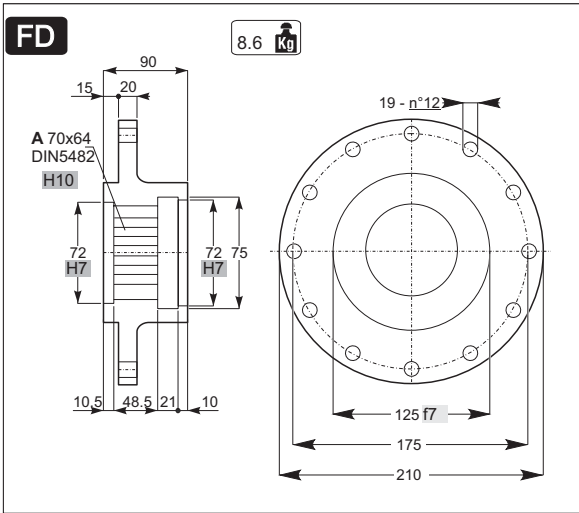
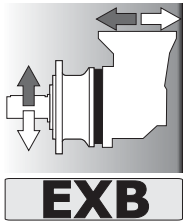
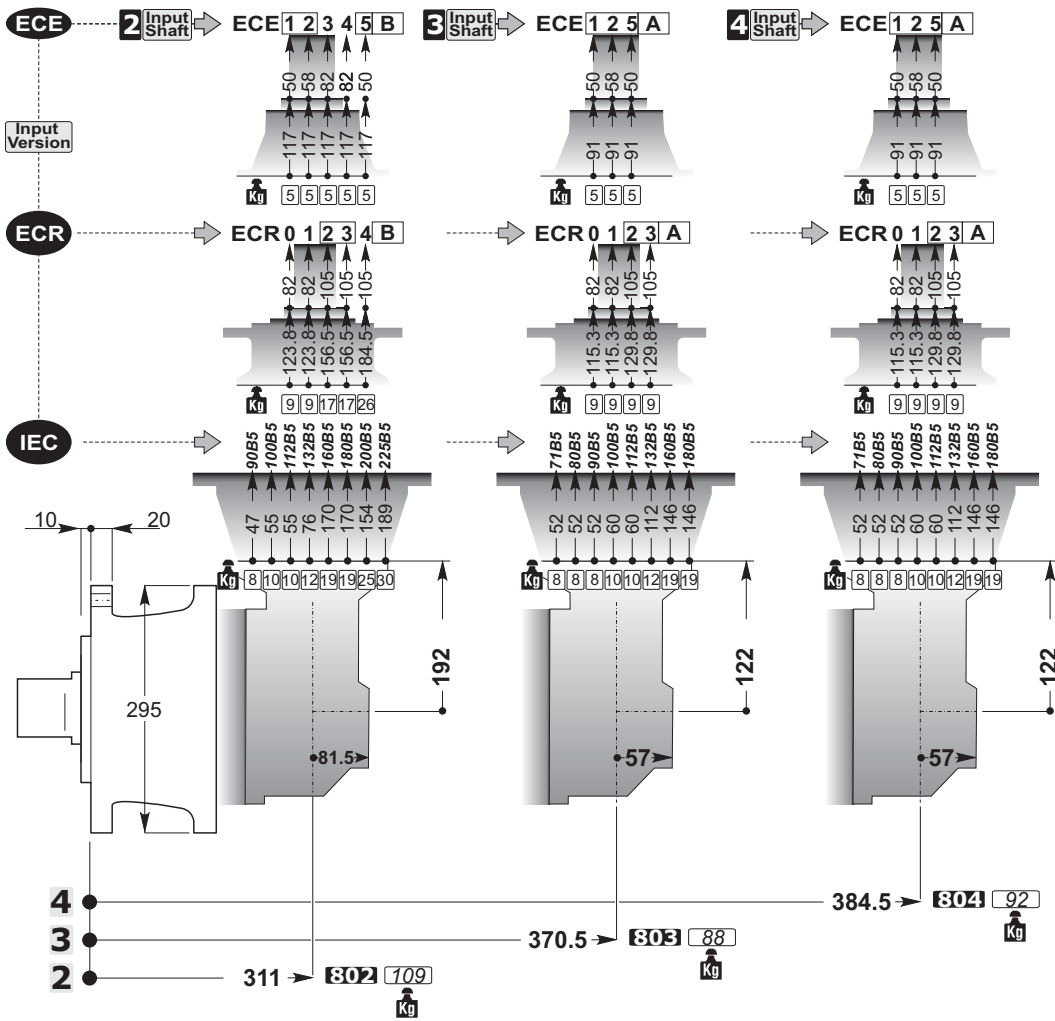


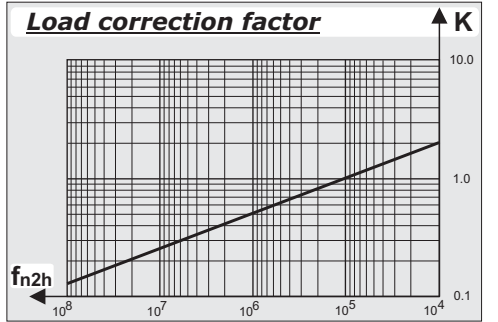
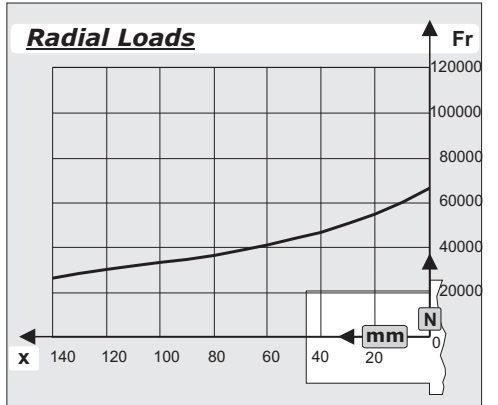
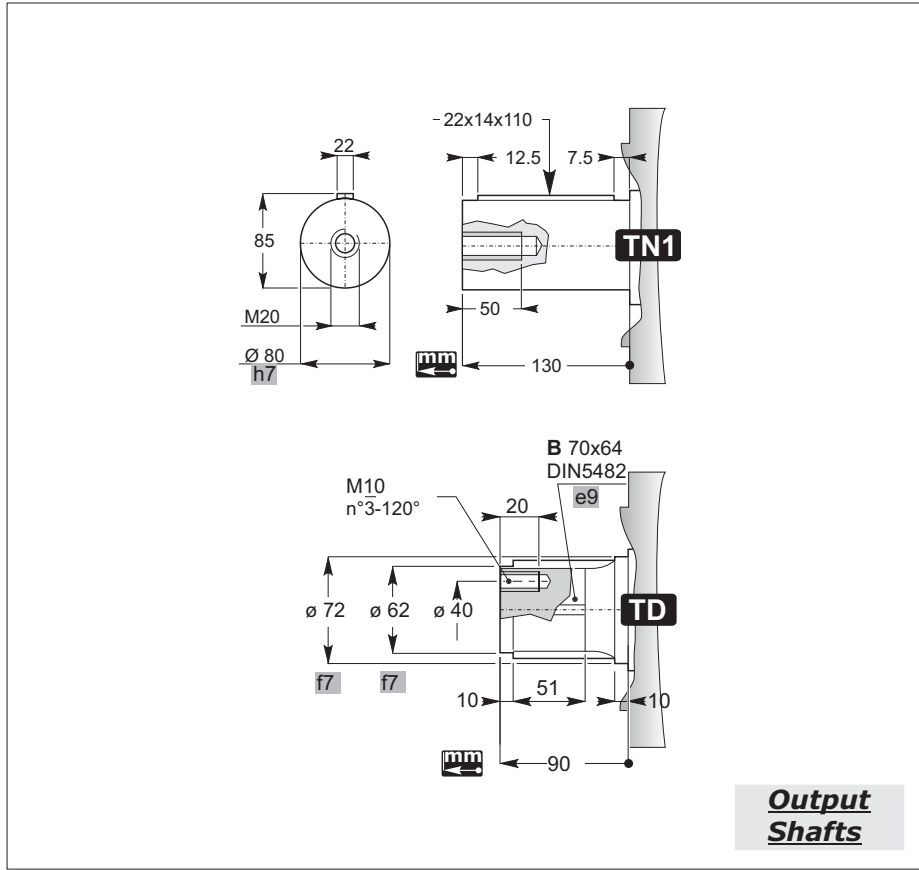
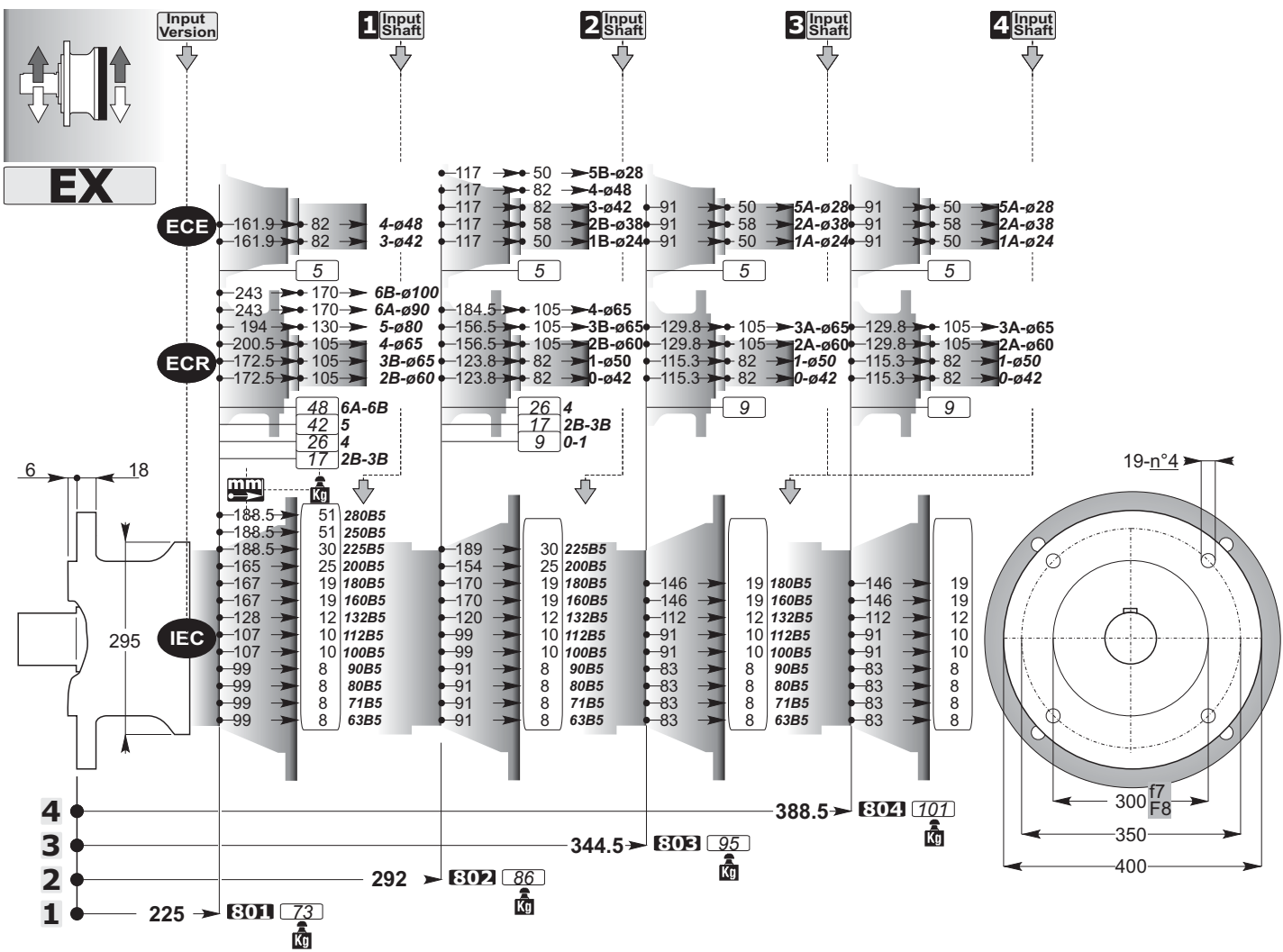


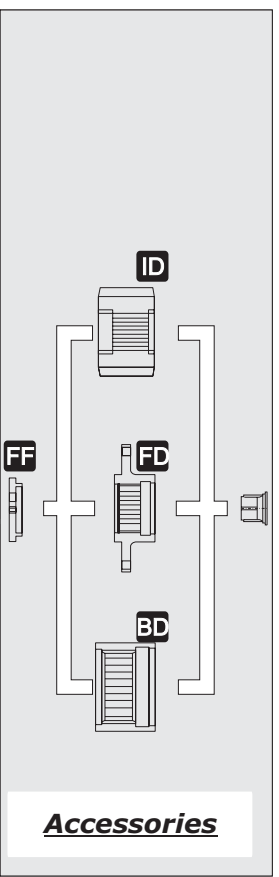
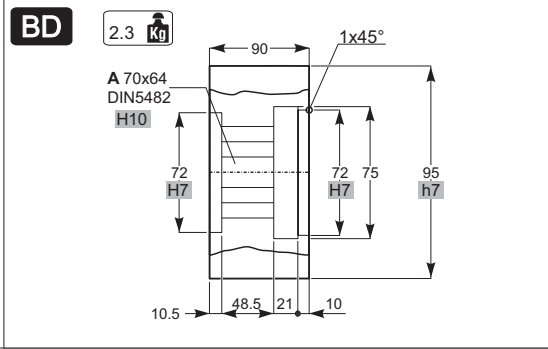
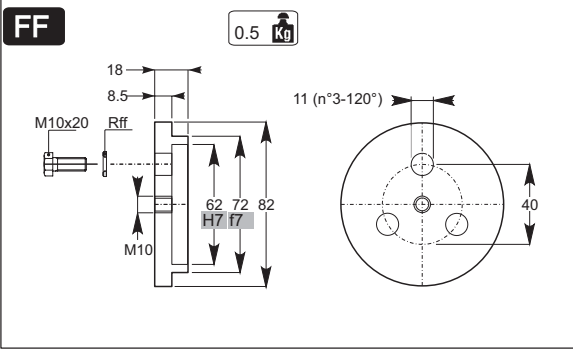
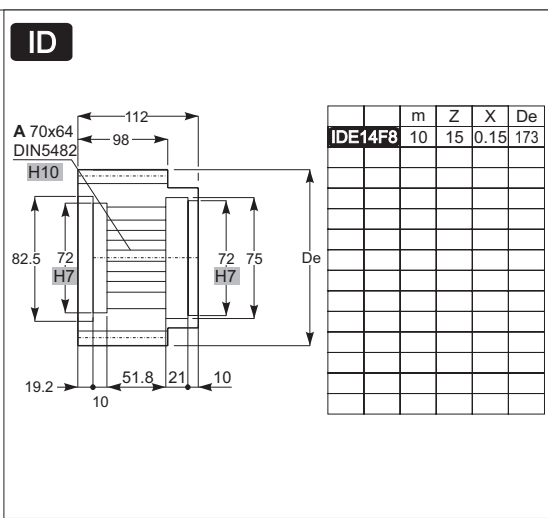
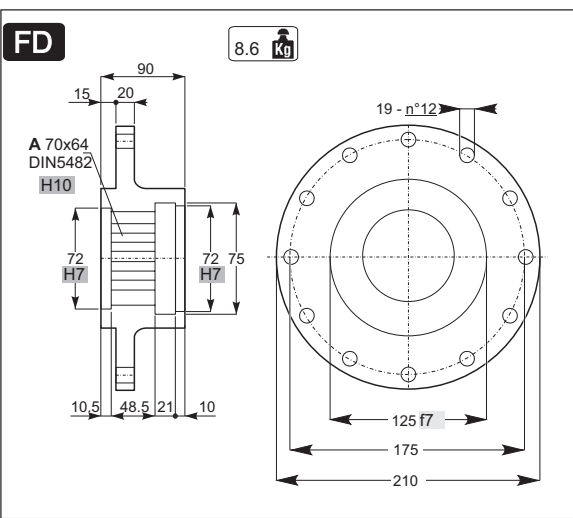
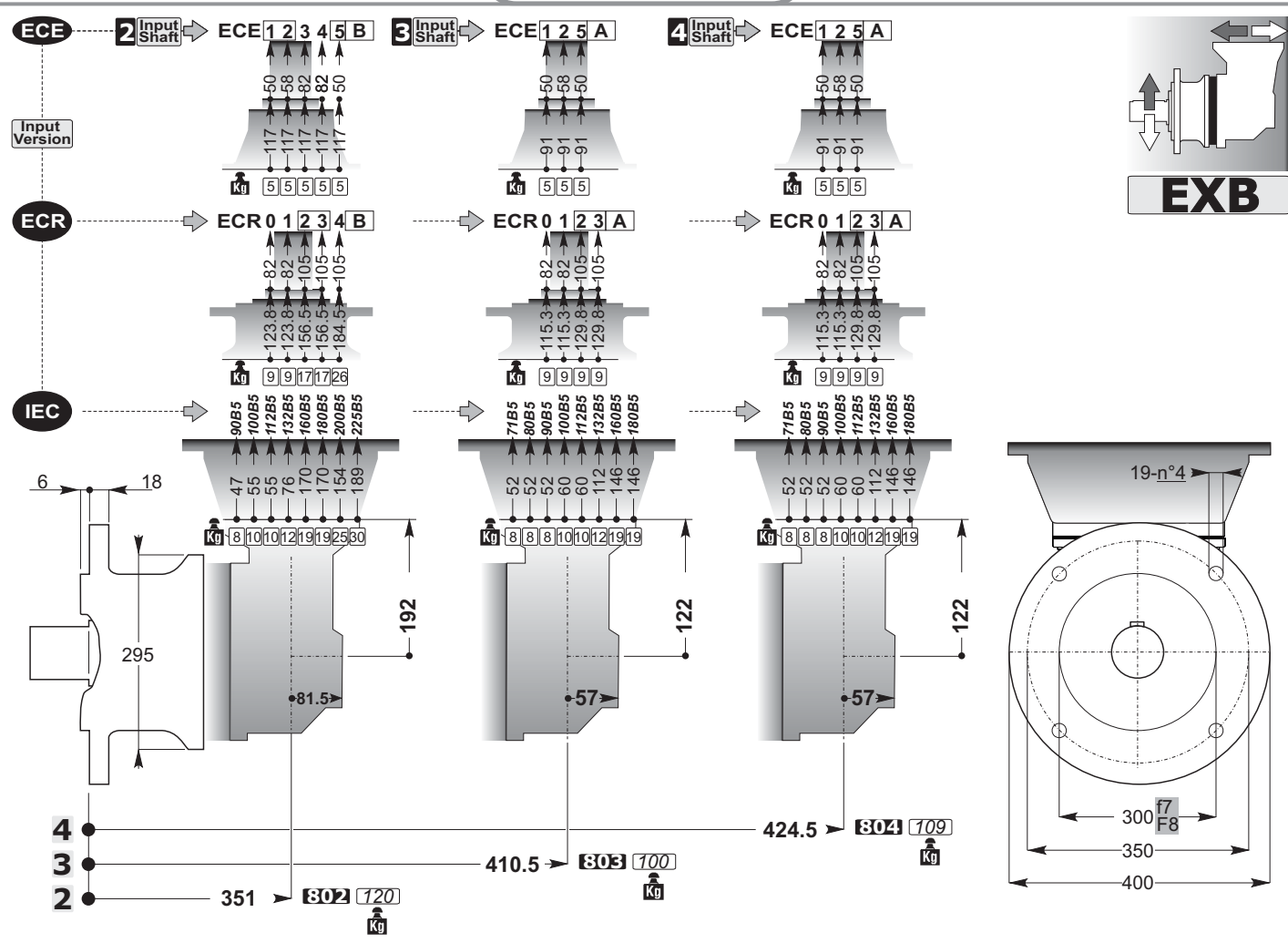
mm

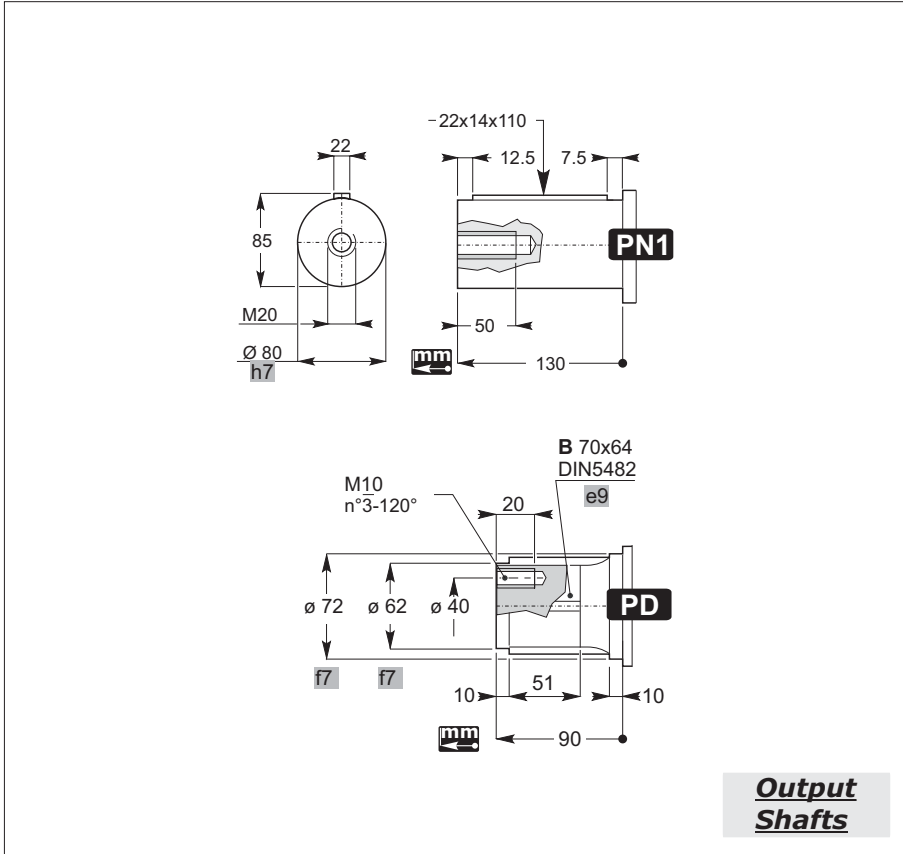
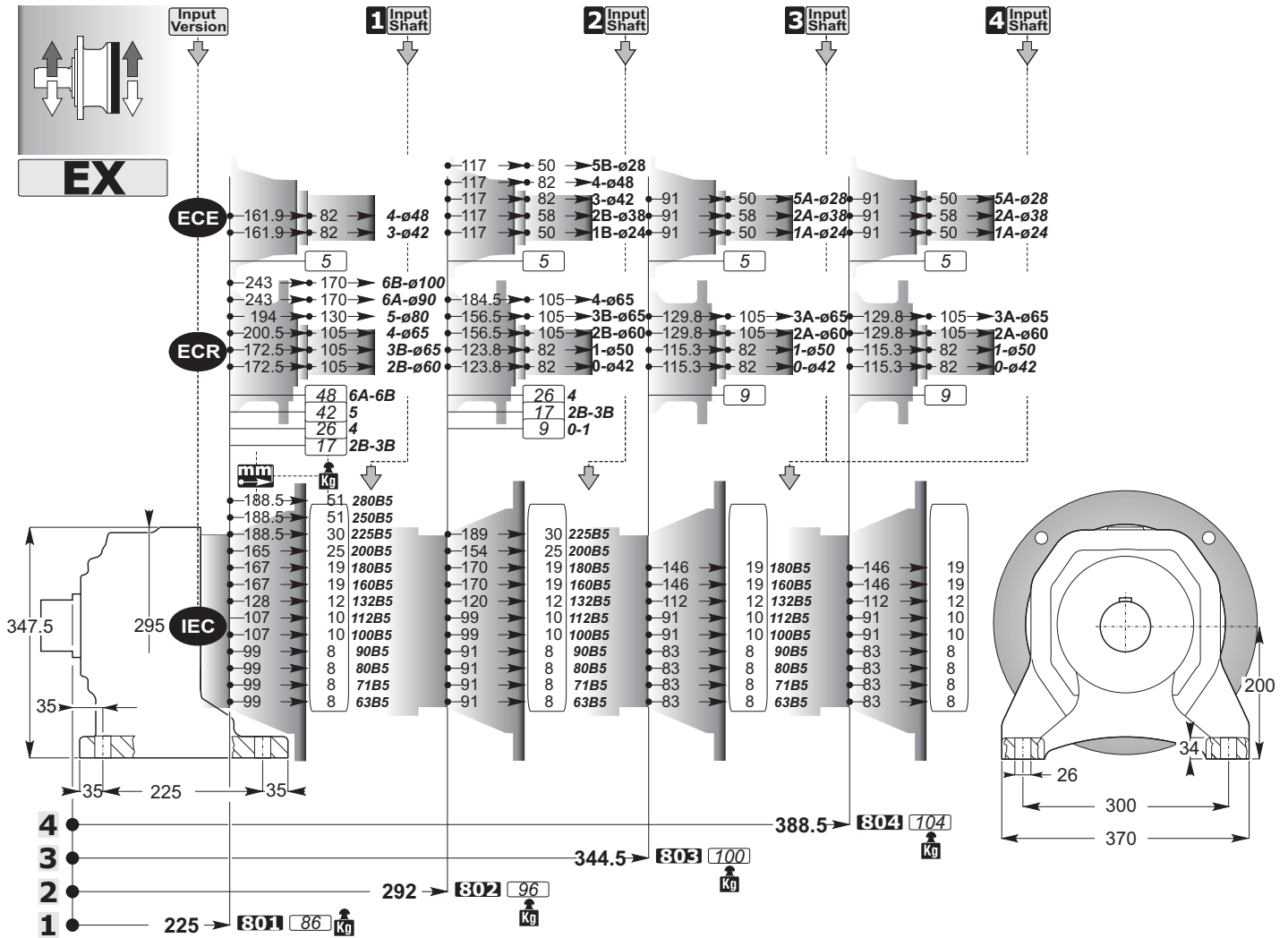
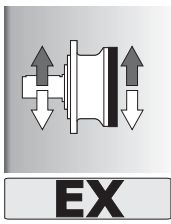
C



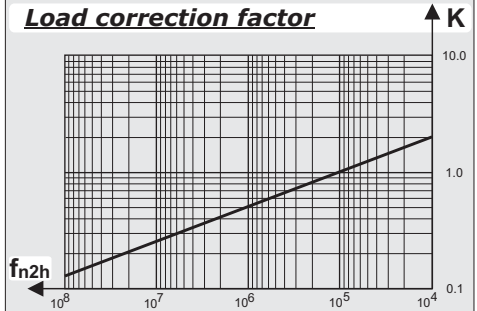
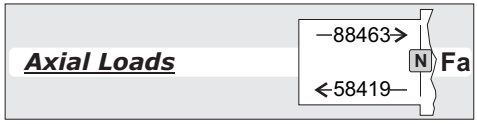
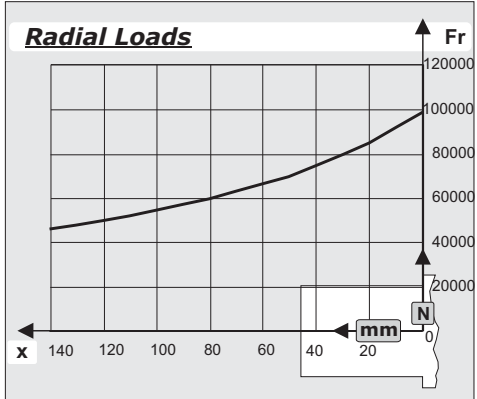


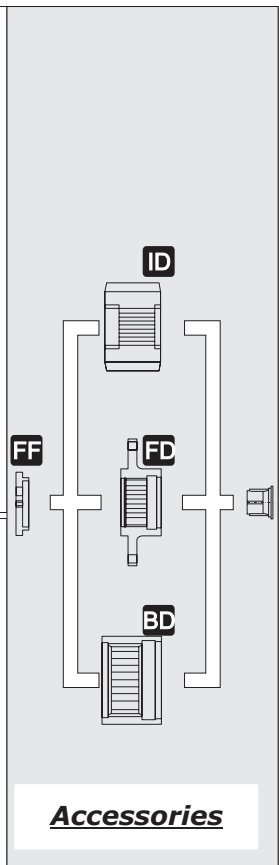
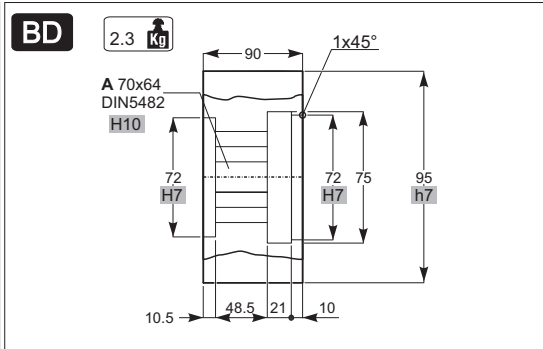
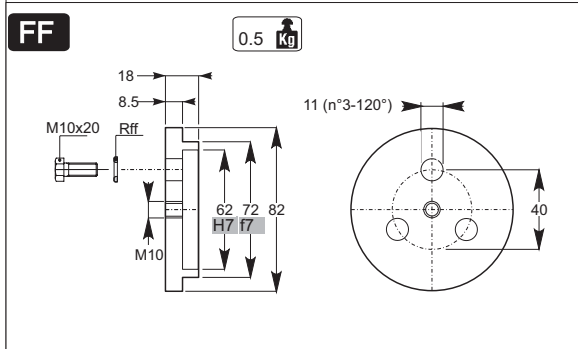
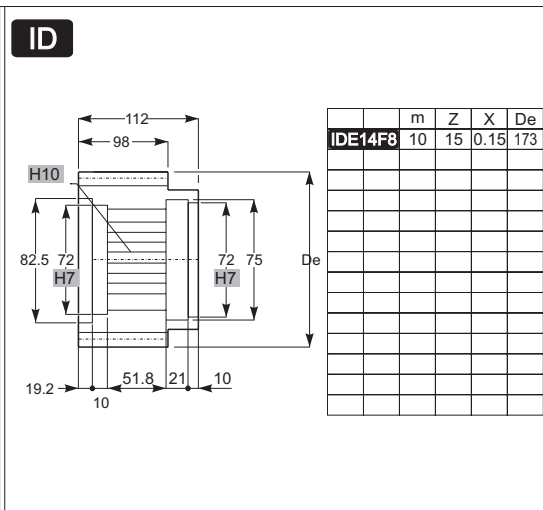
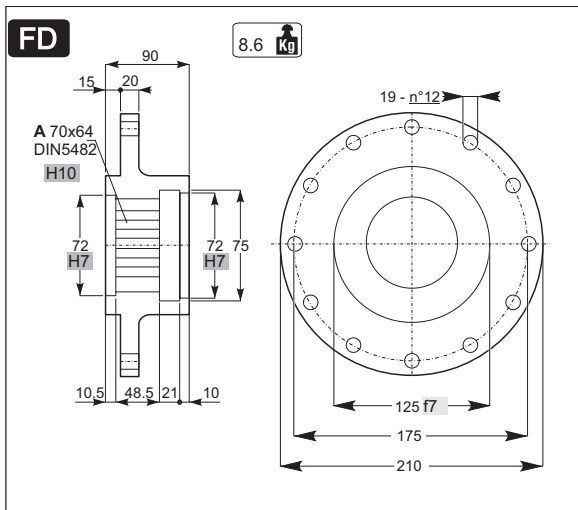
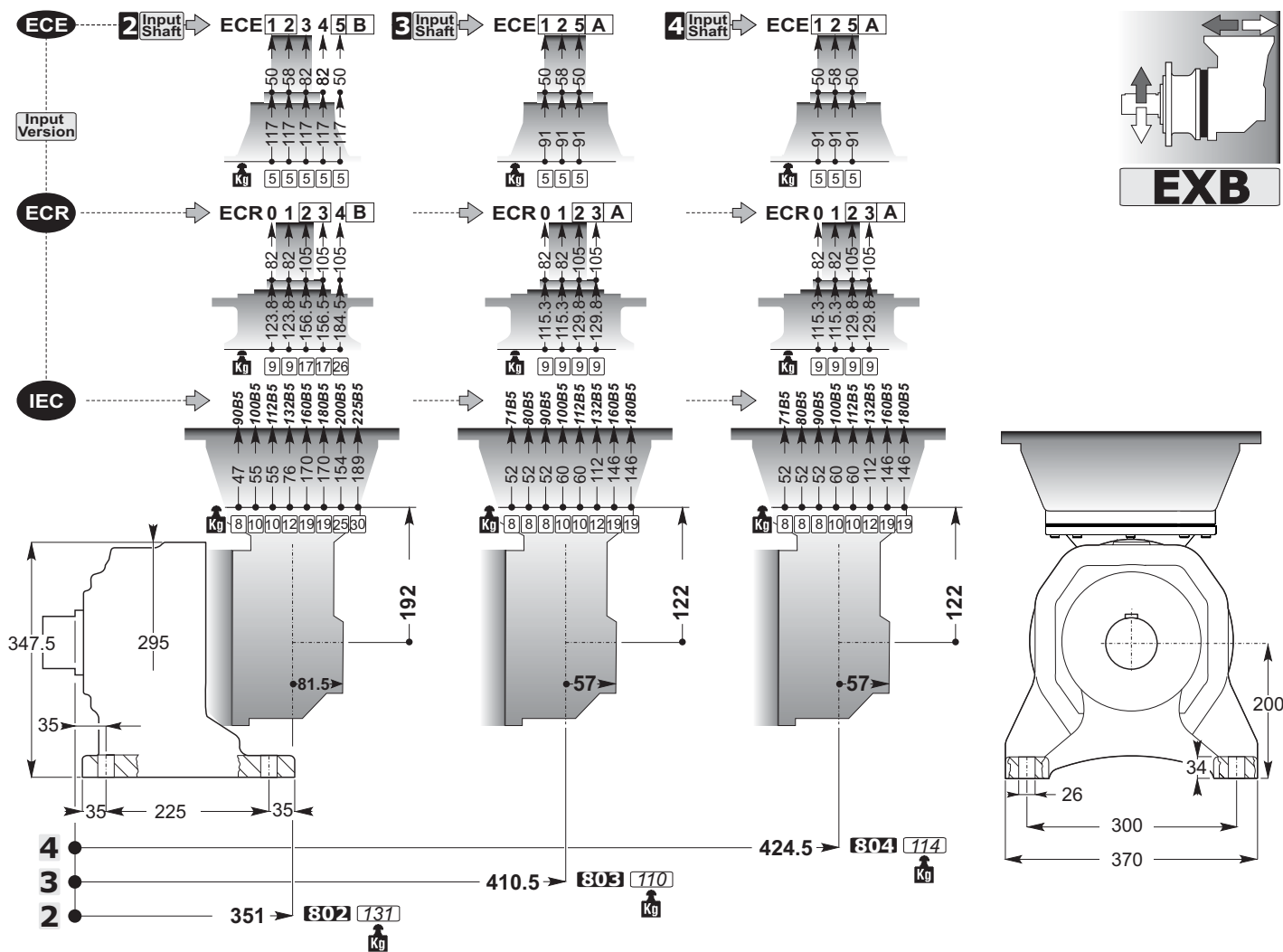




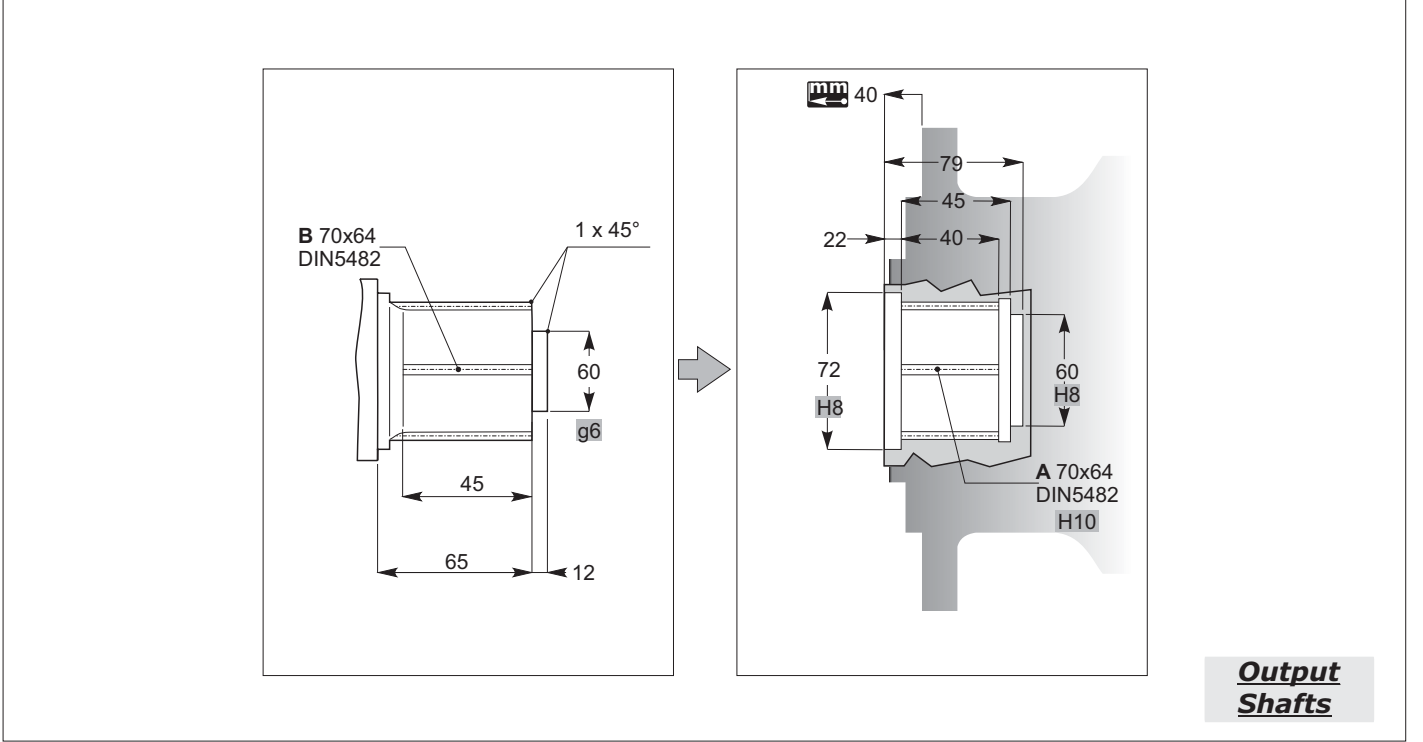
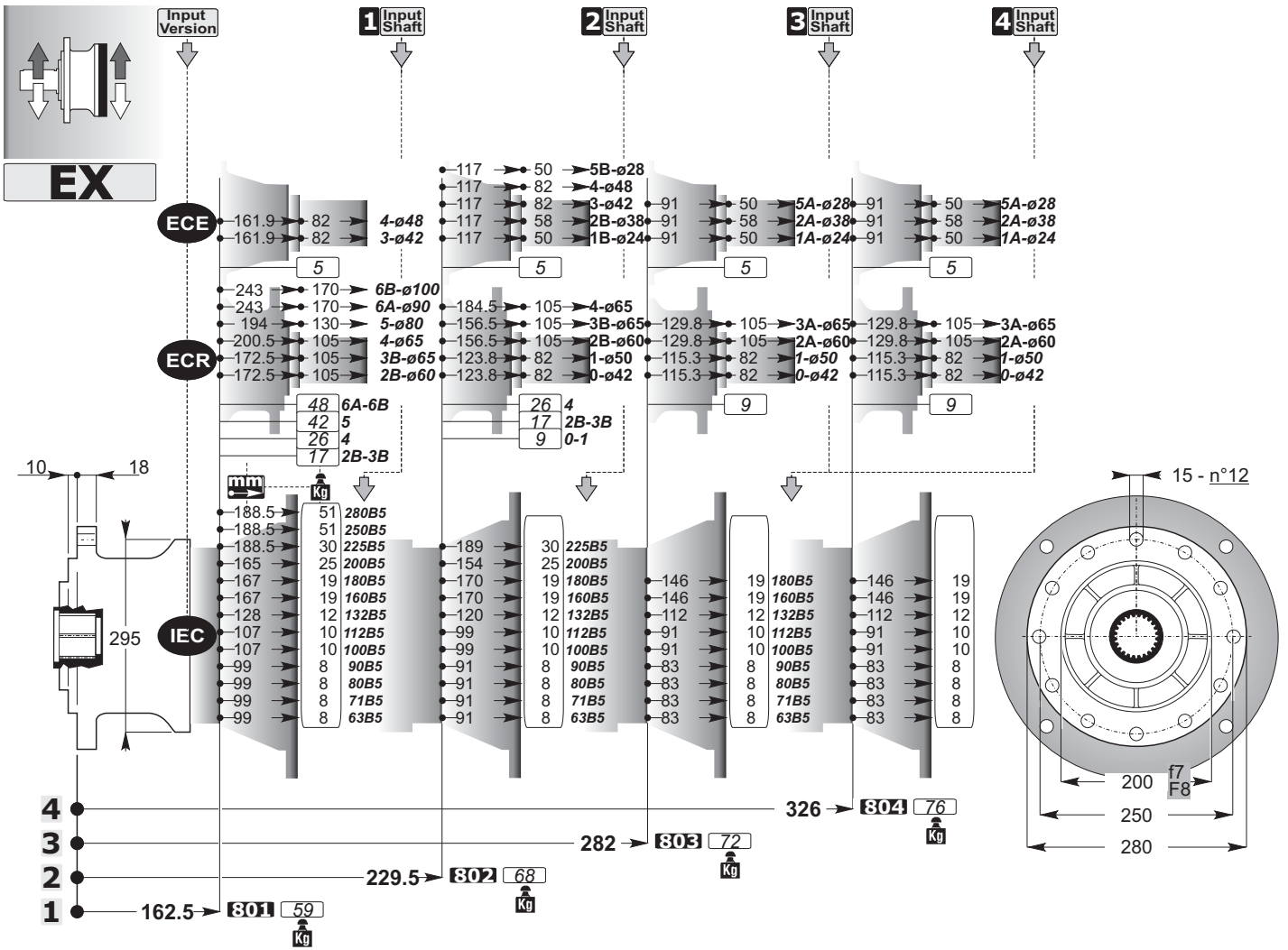


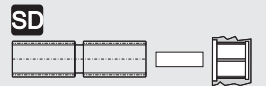
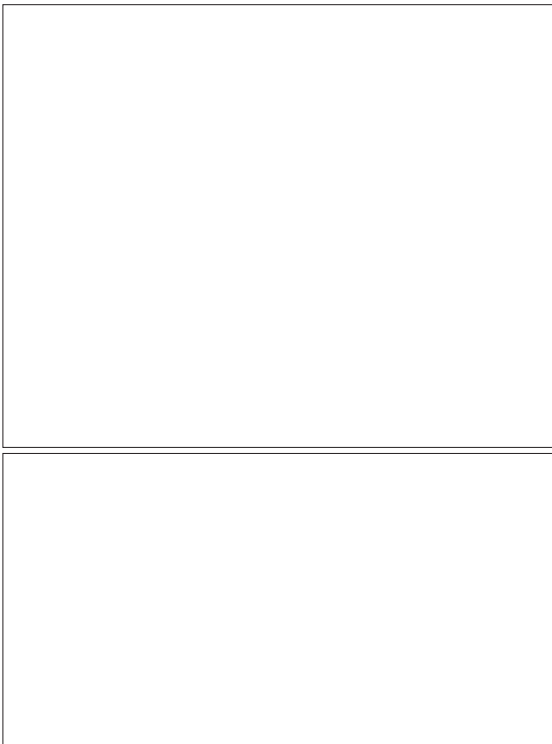
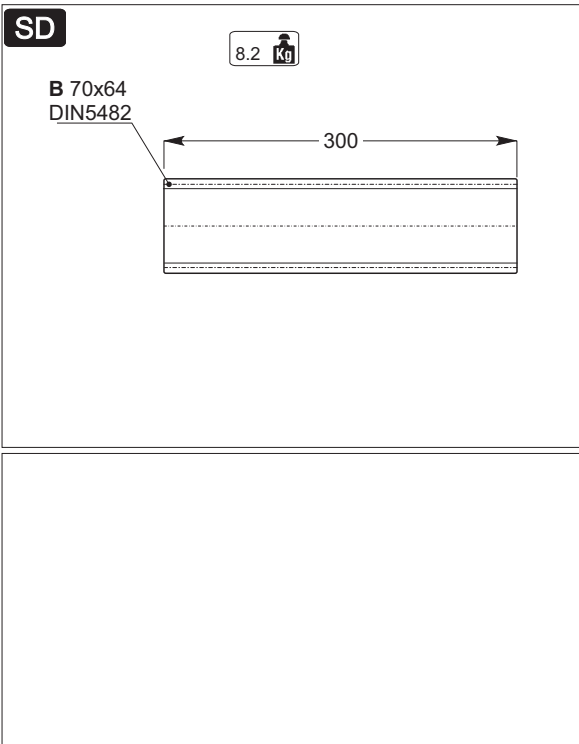
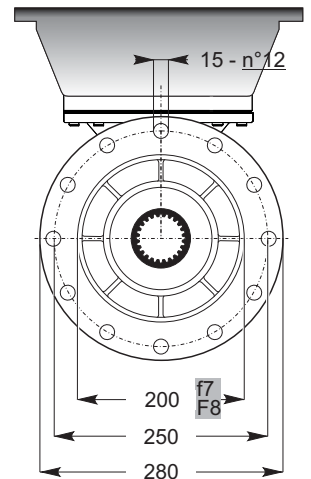
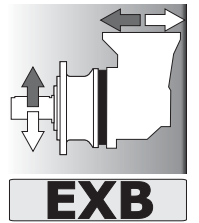
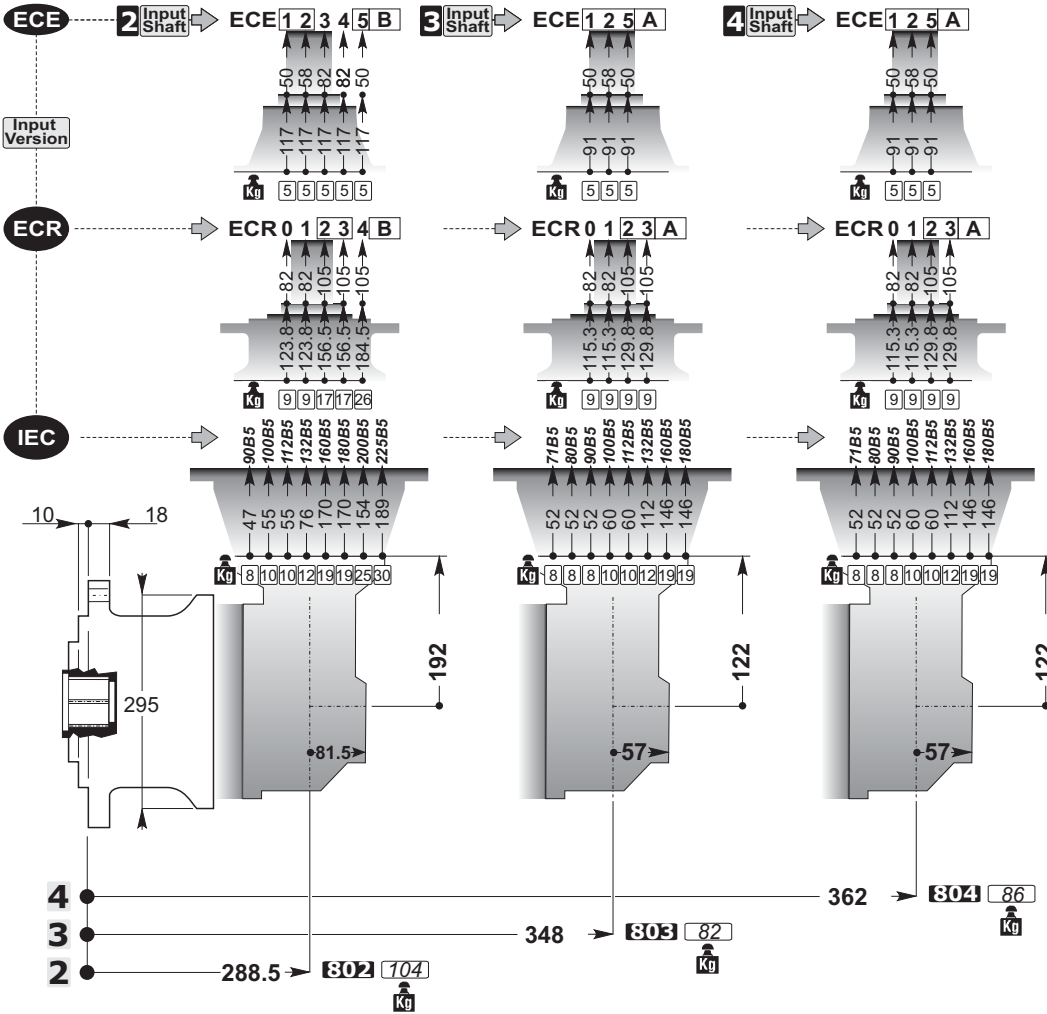
Output Shafts





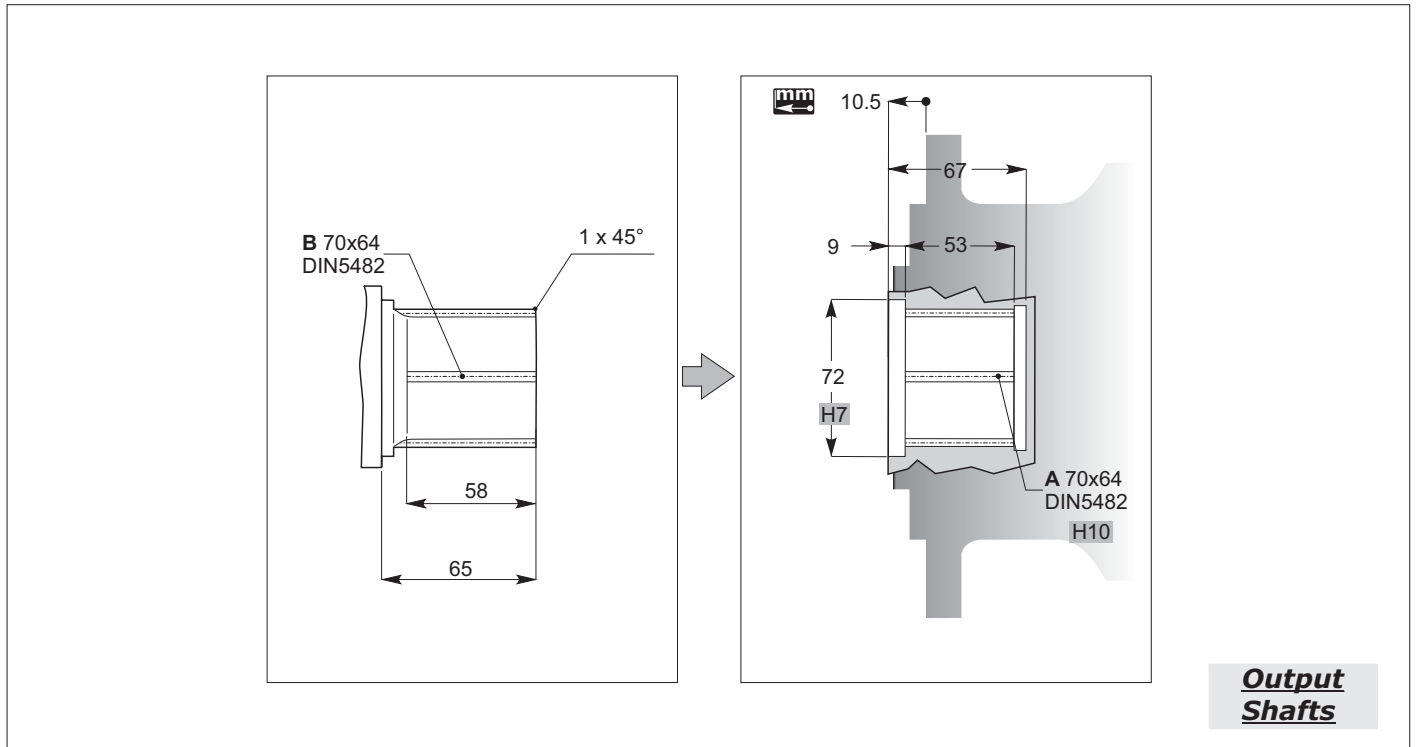
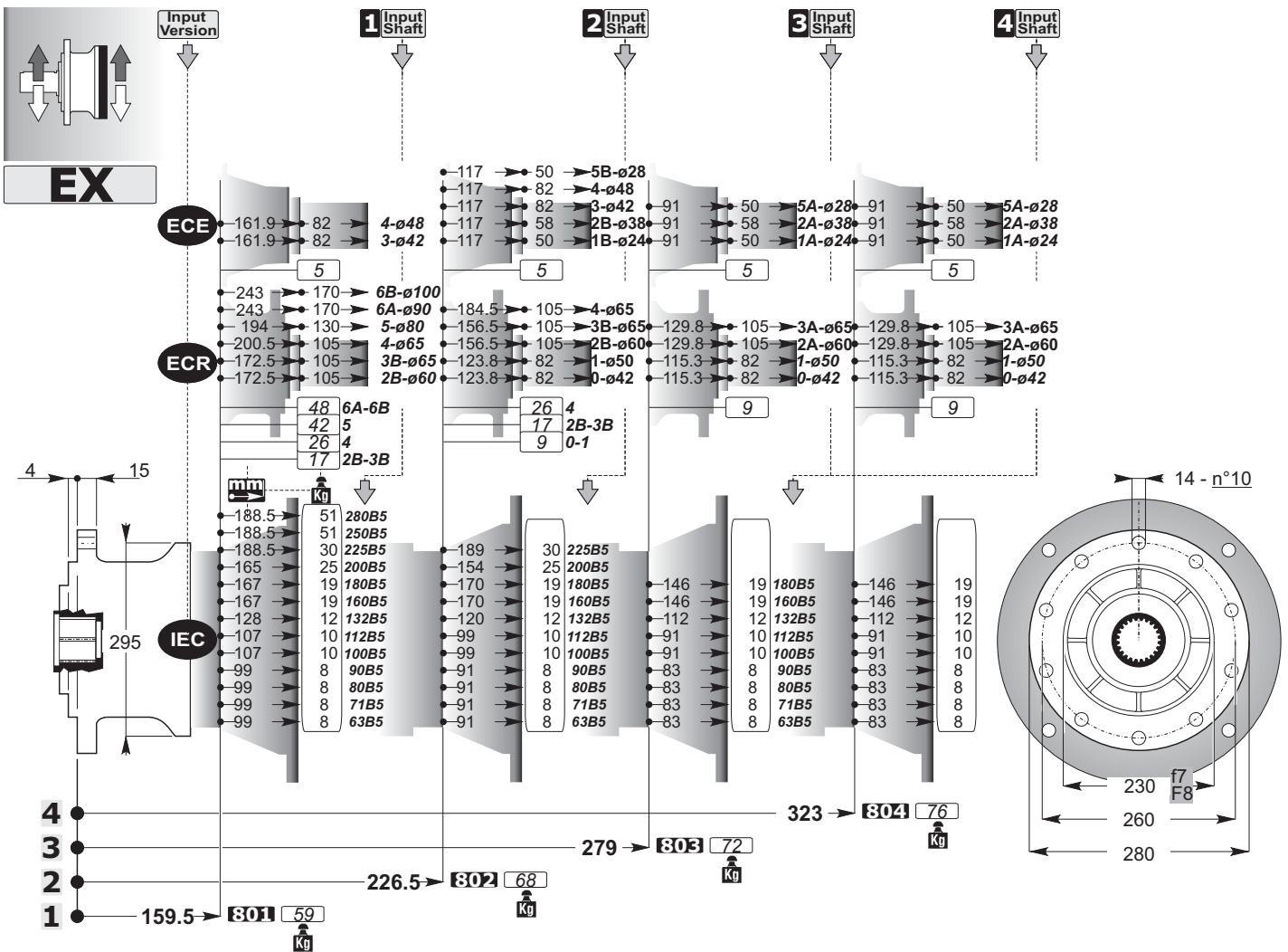
mm
C

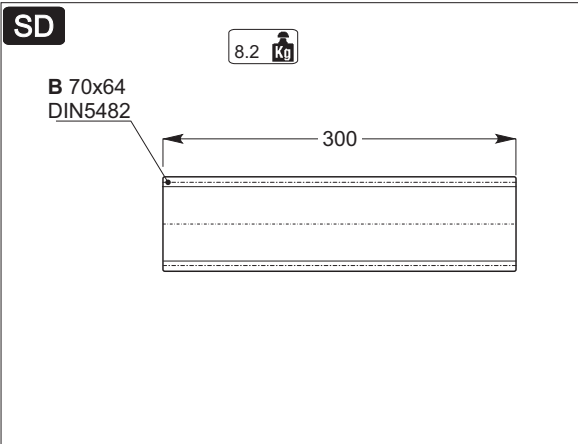
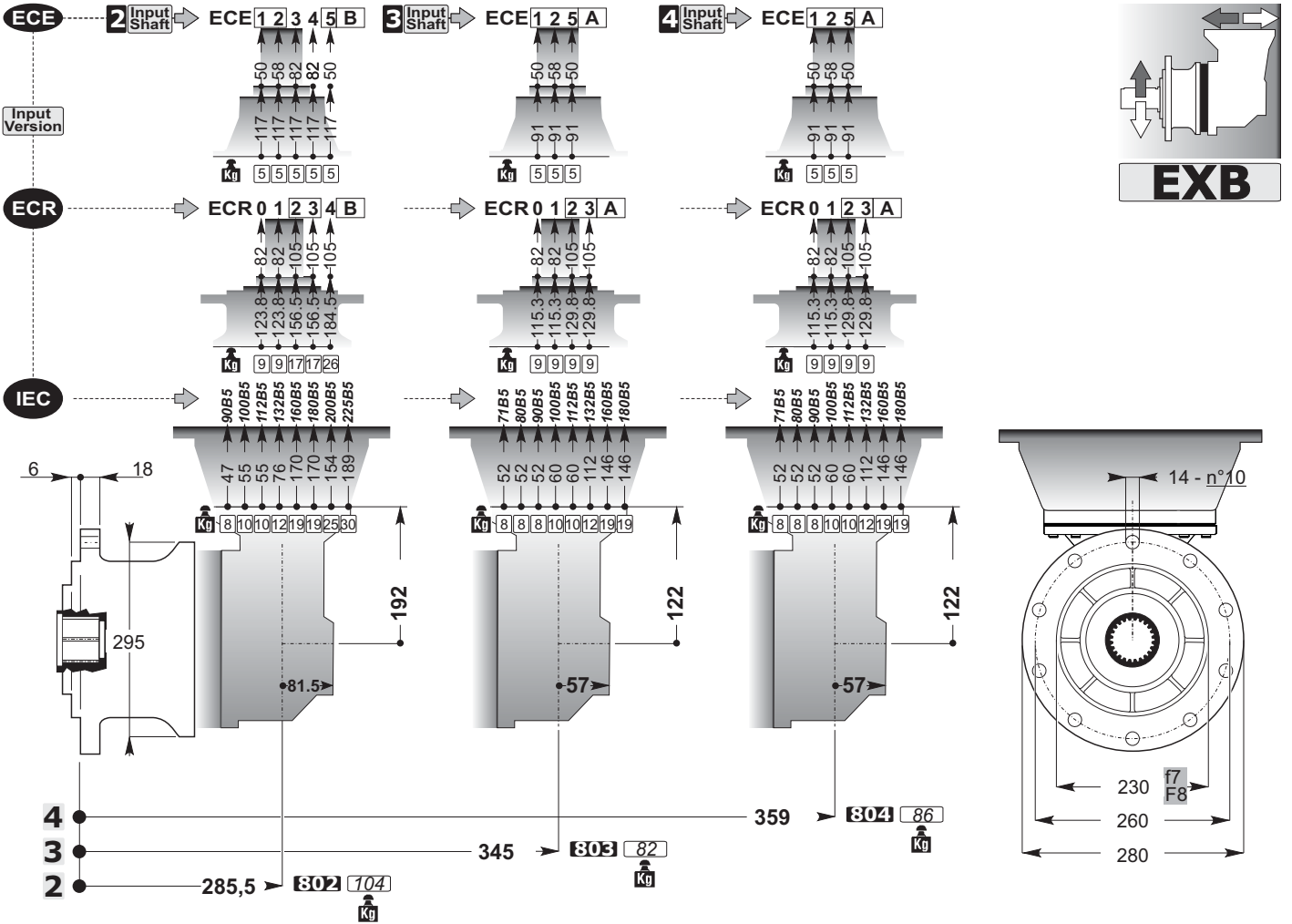




Accessories

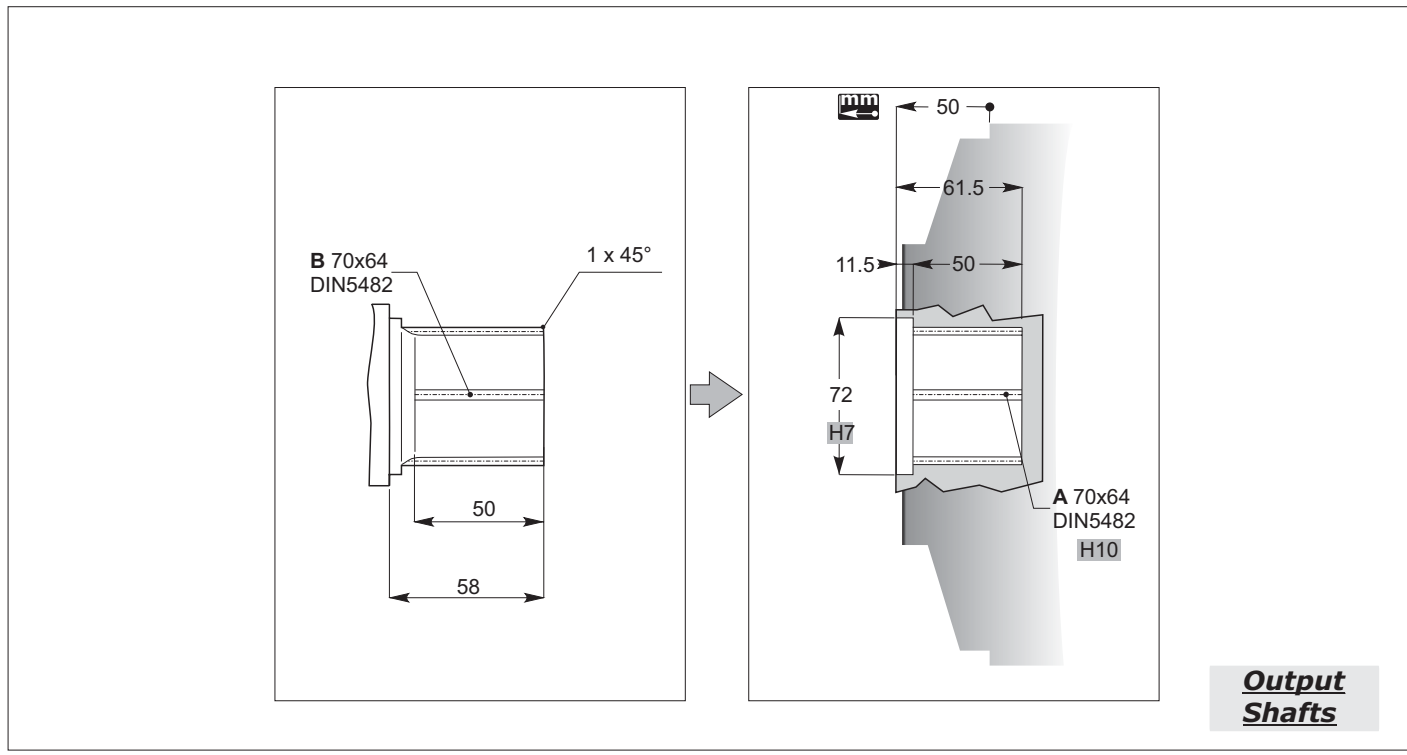
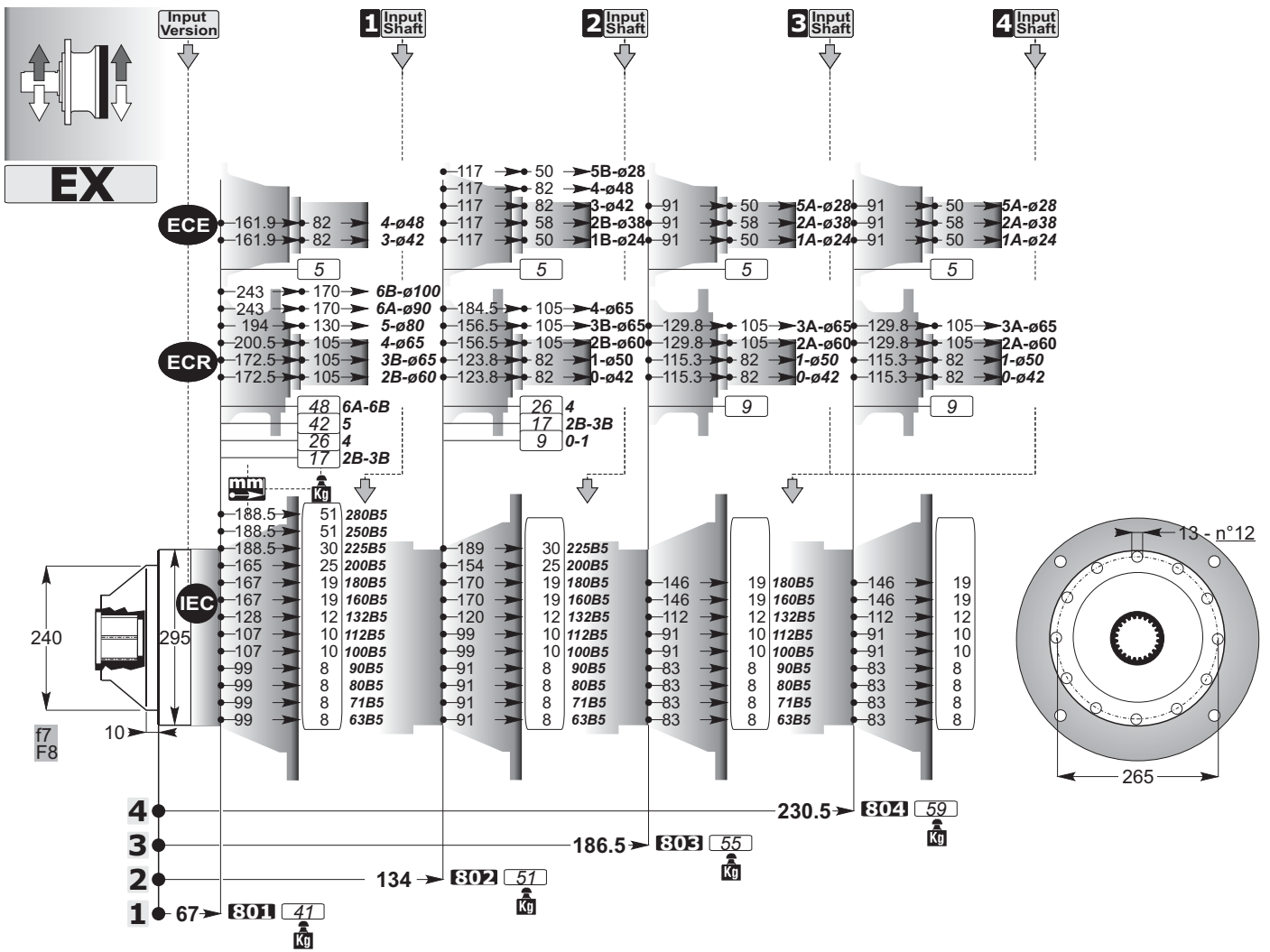




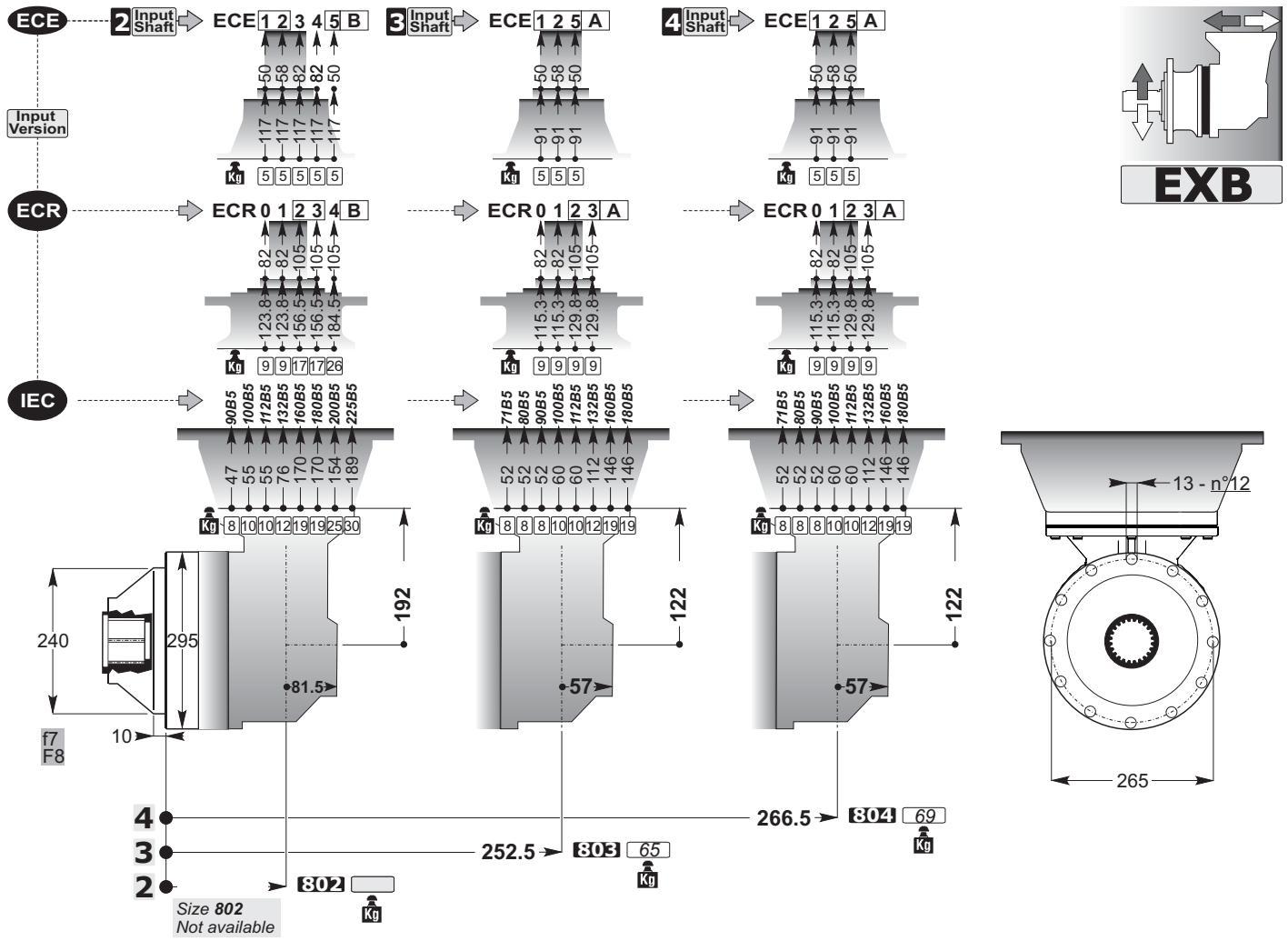


Accessories

mm
C



Output Shafts

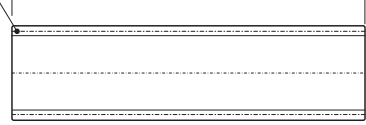


SD

8.2 Kg

B 70x64
DIN5482

300

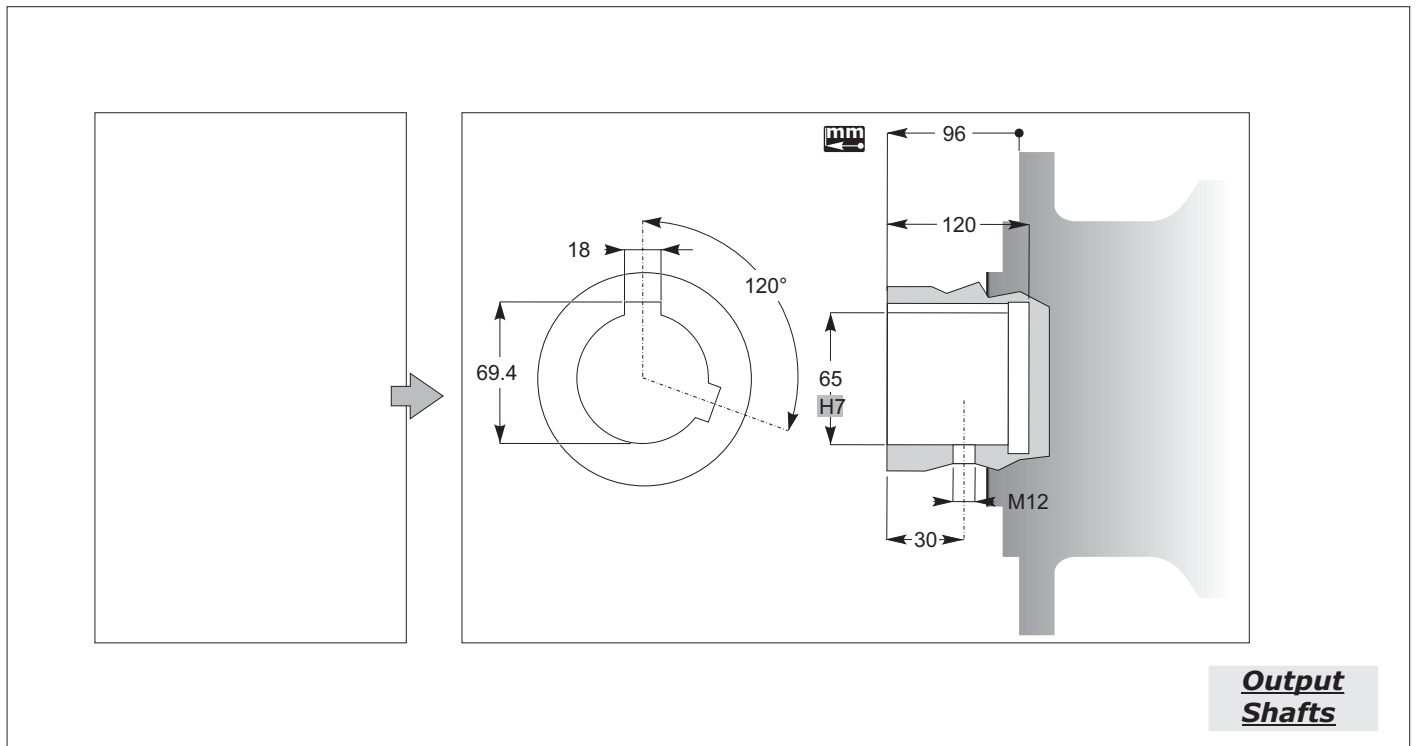
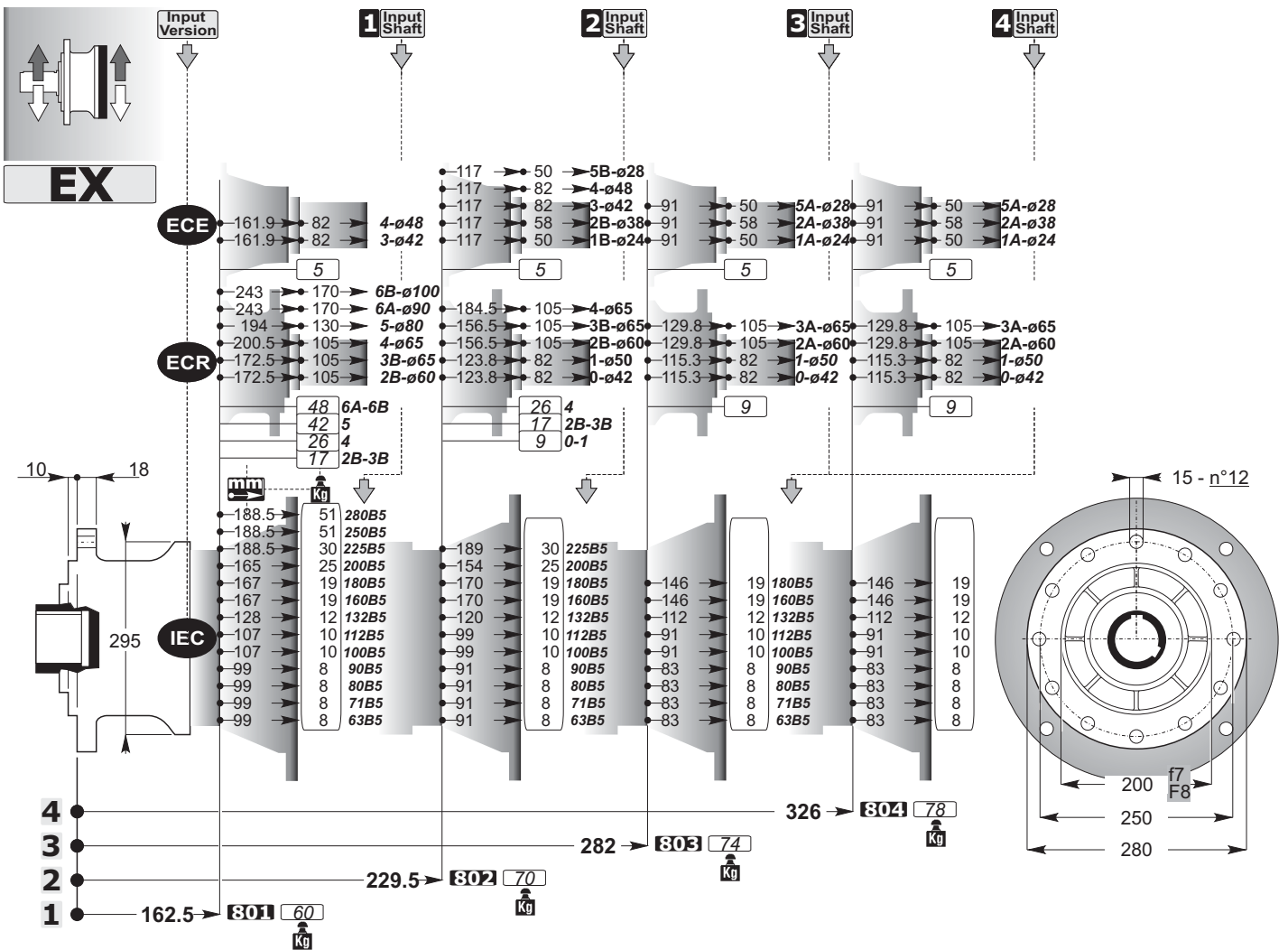


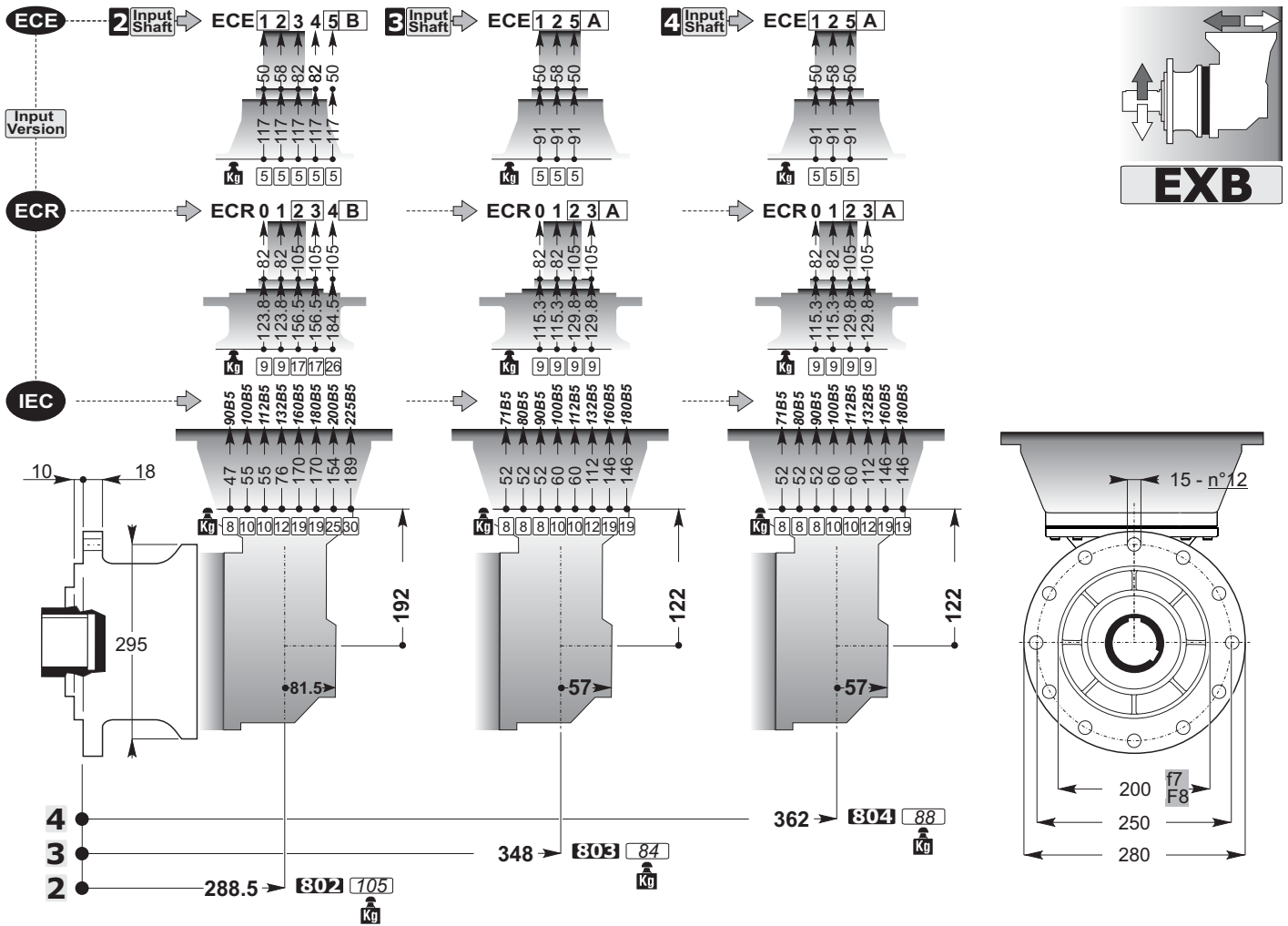
mm
C

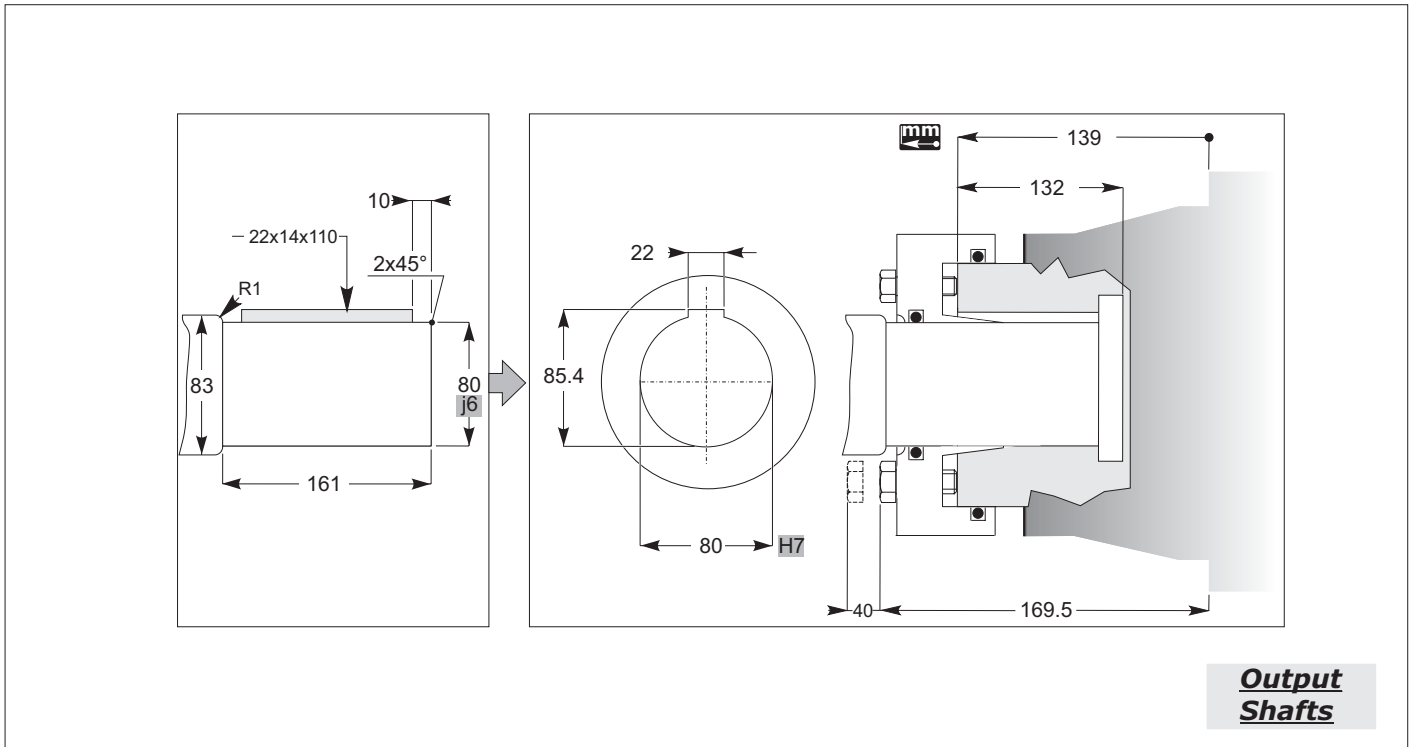
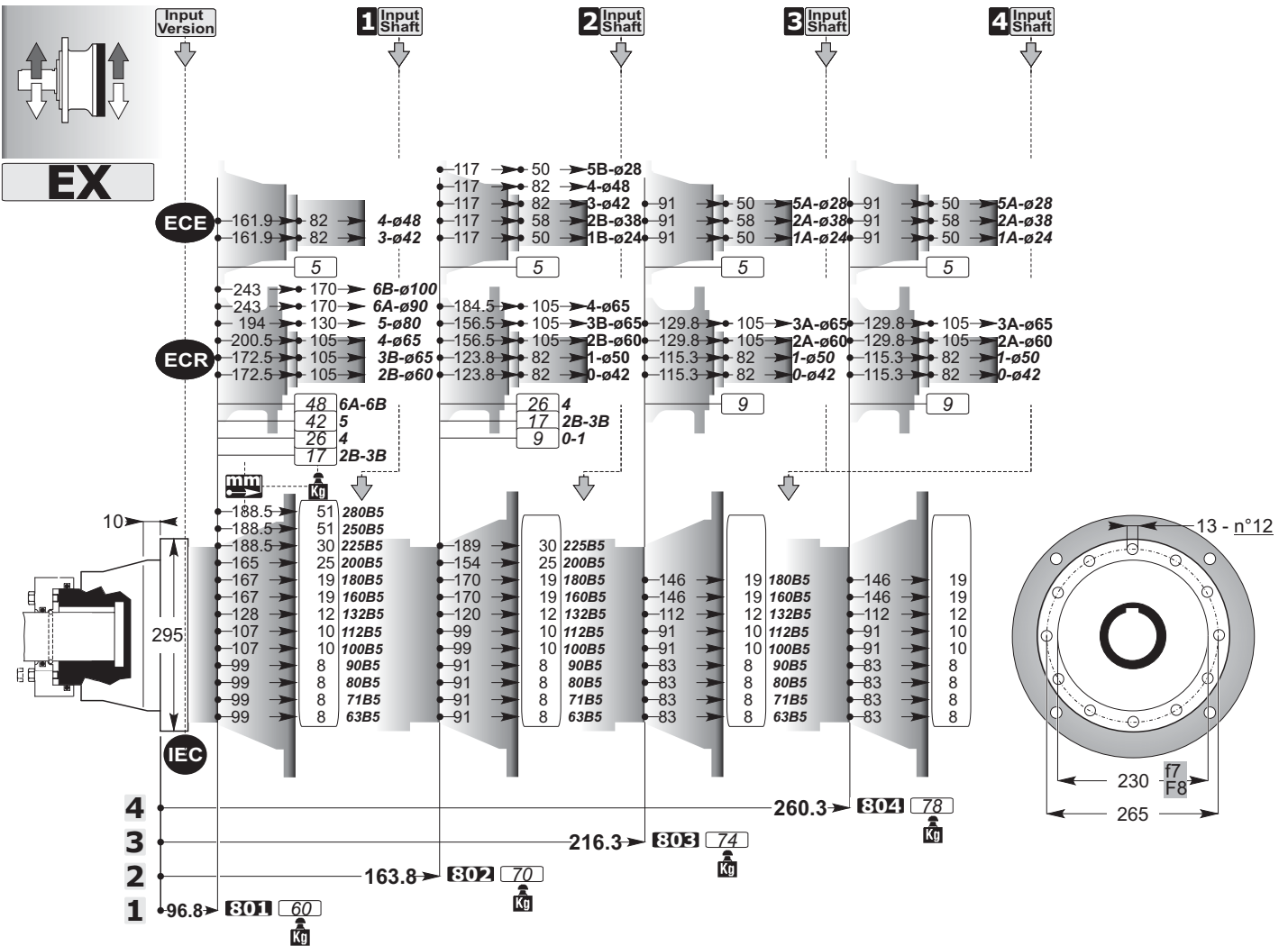
SD

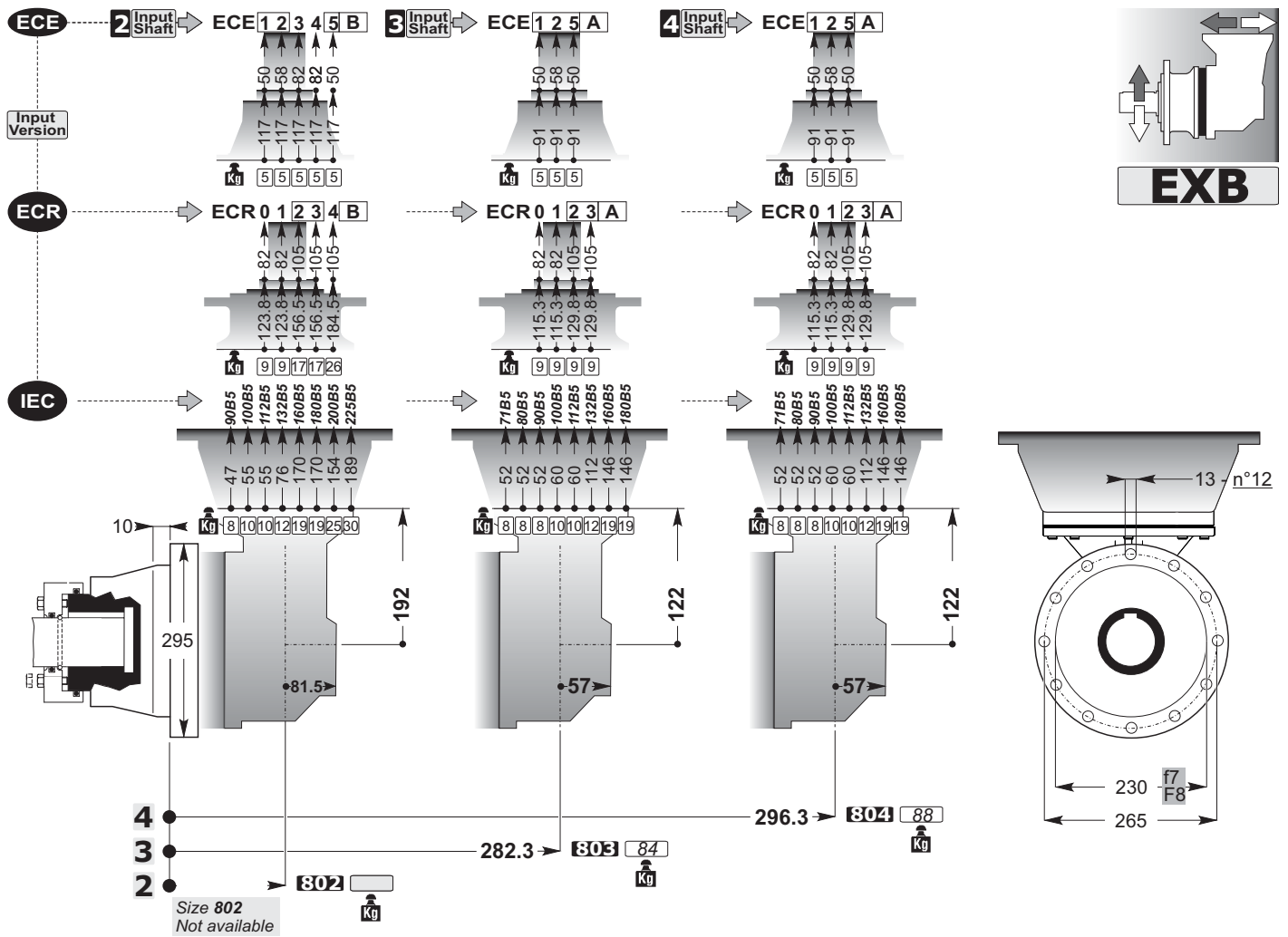


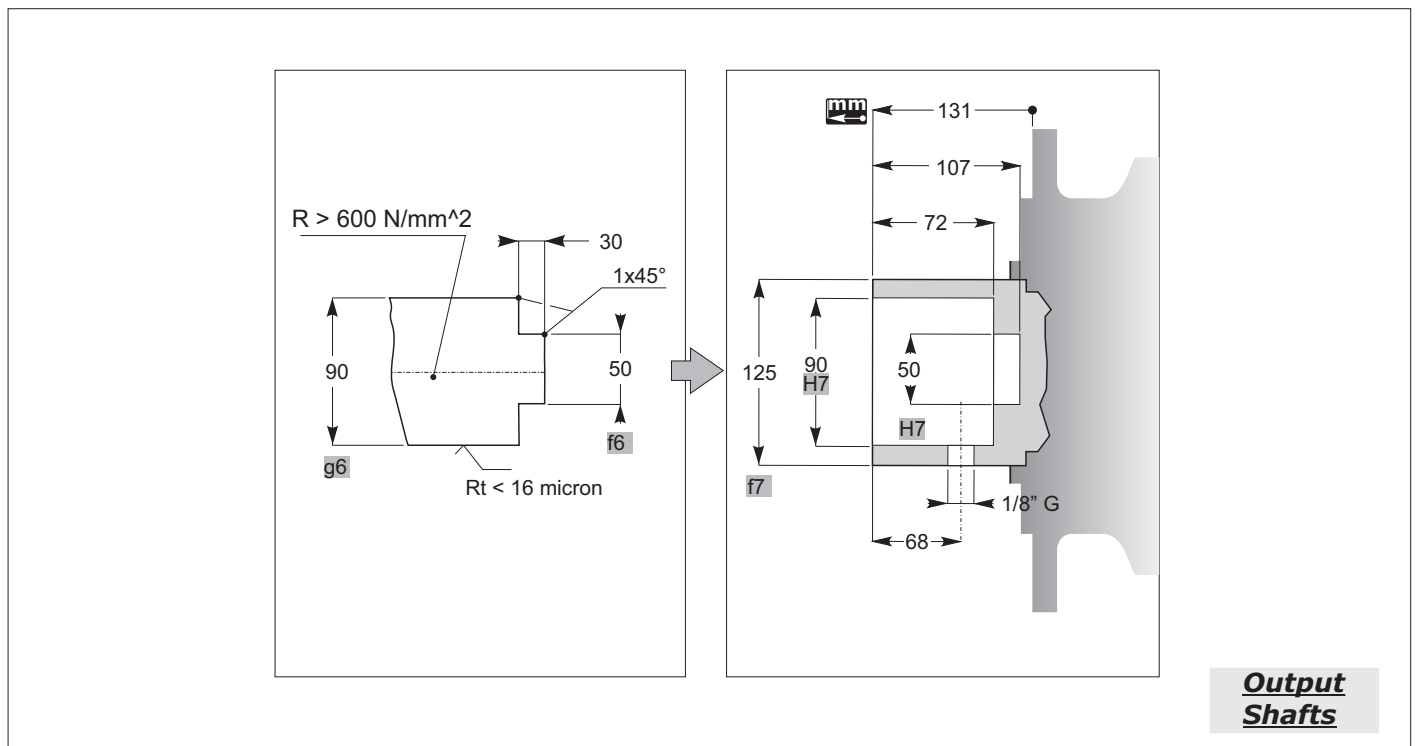
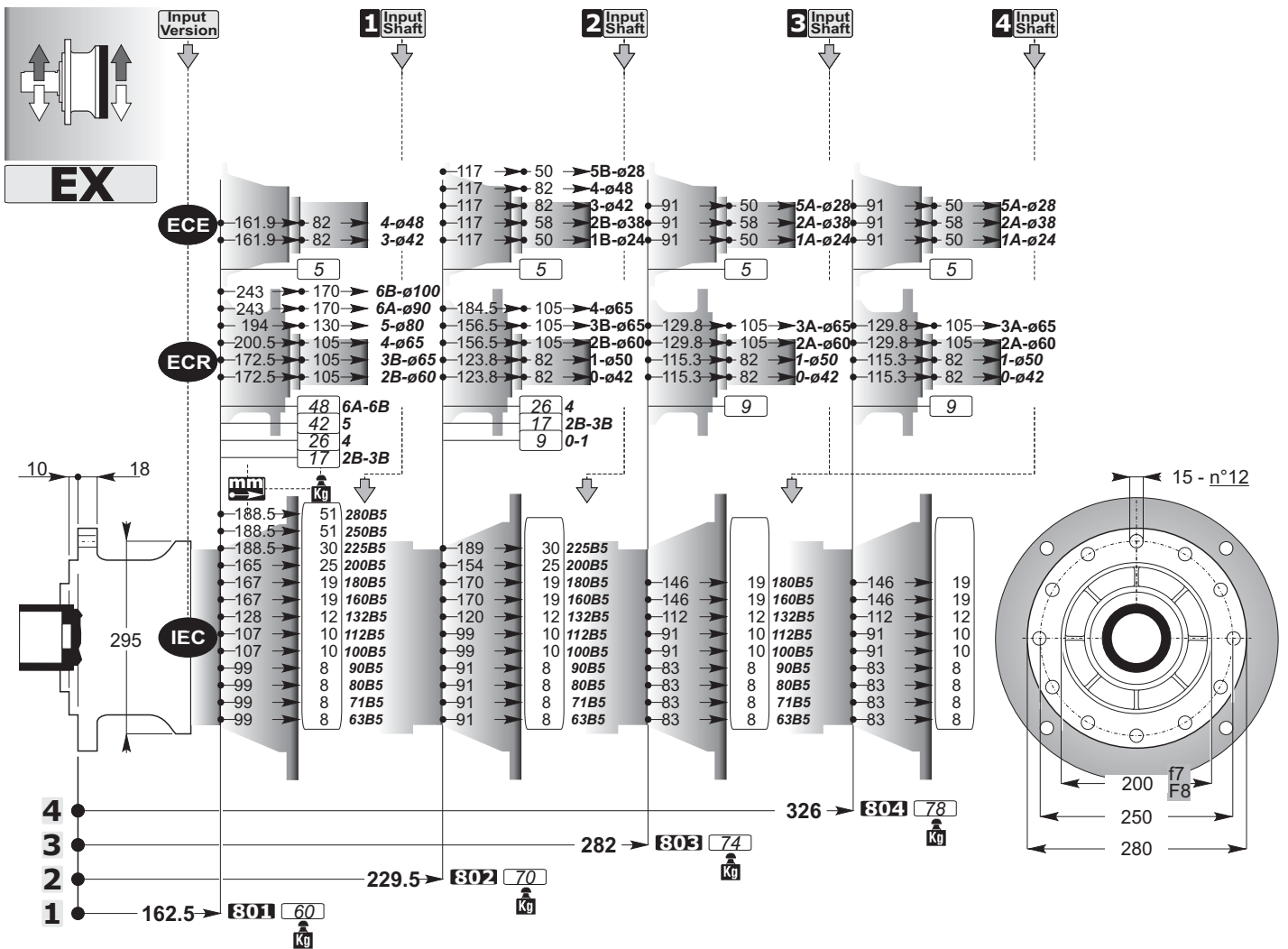
Accessories

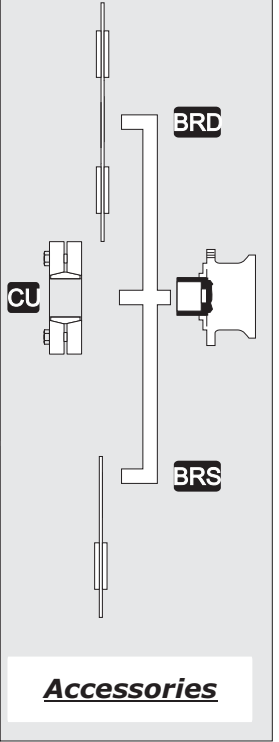
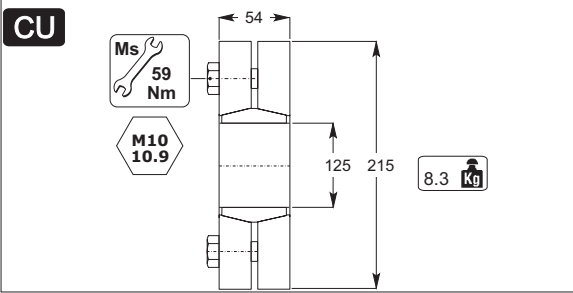
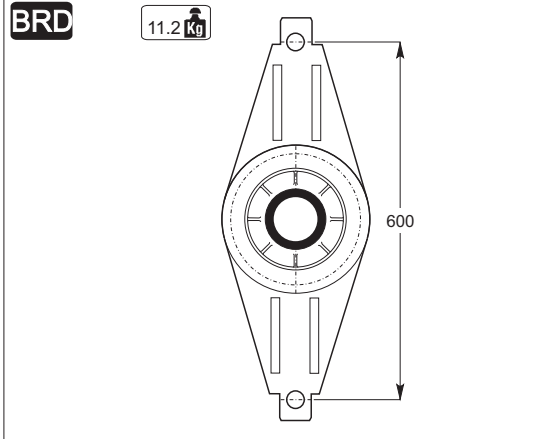
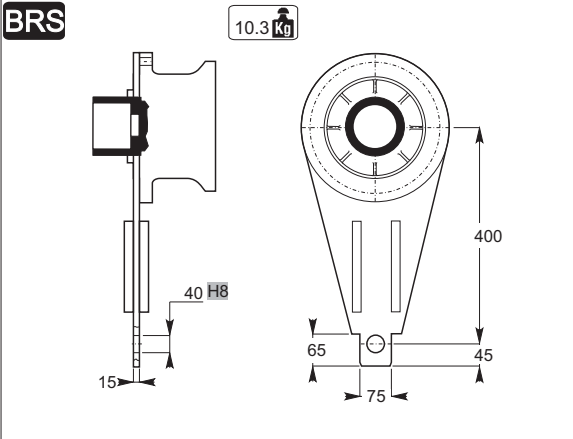
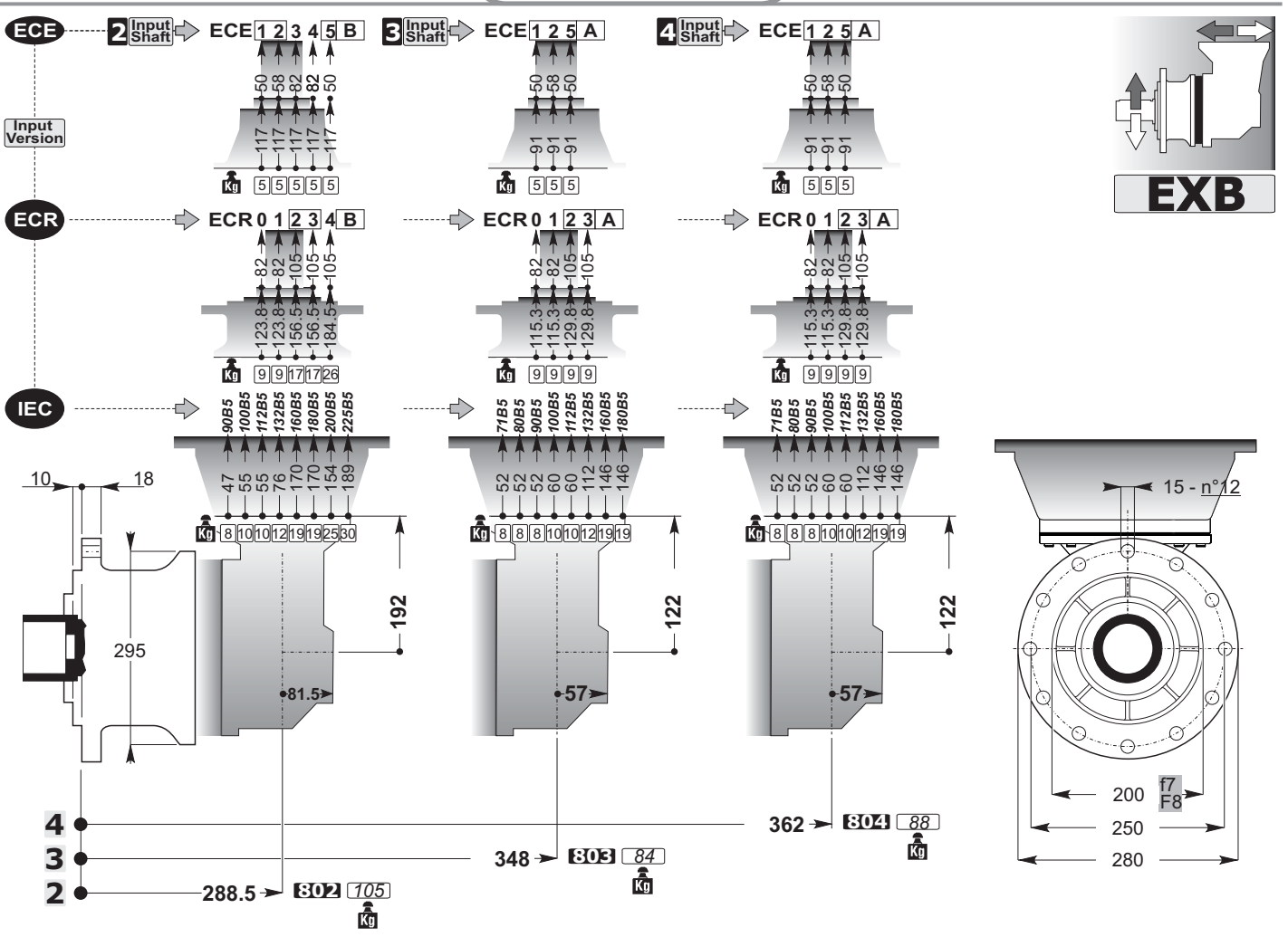




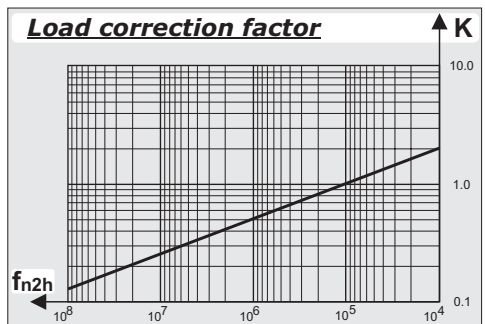
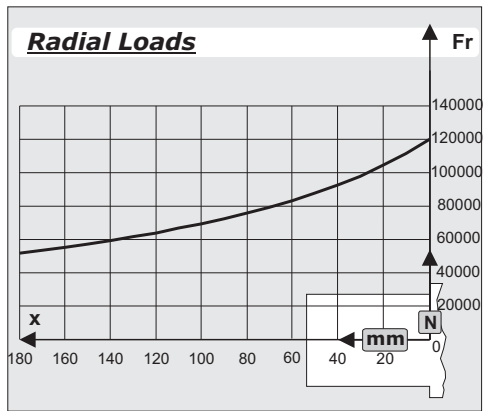
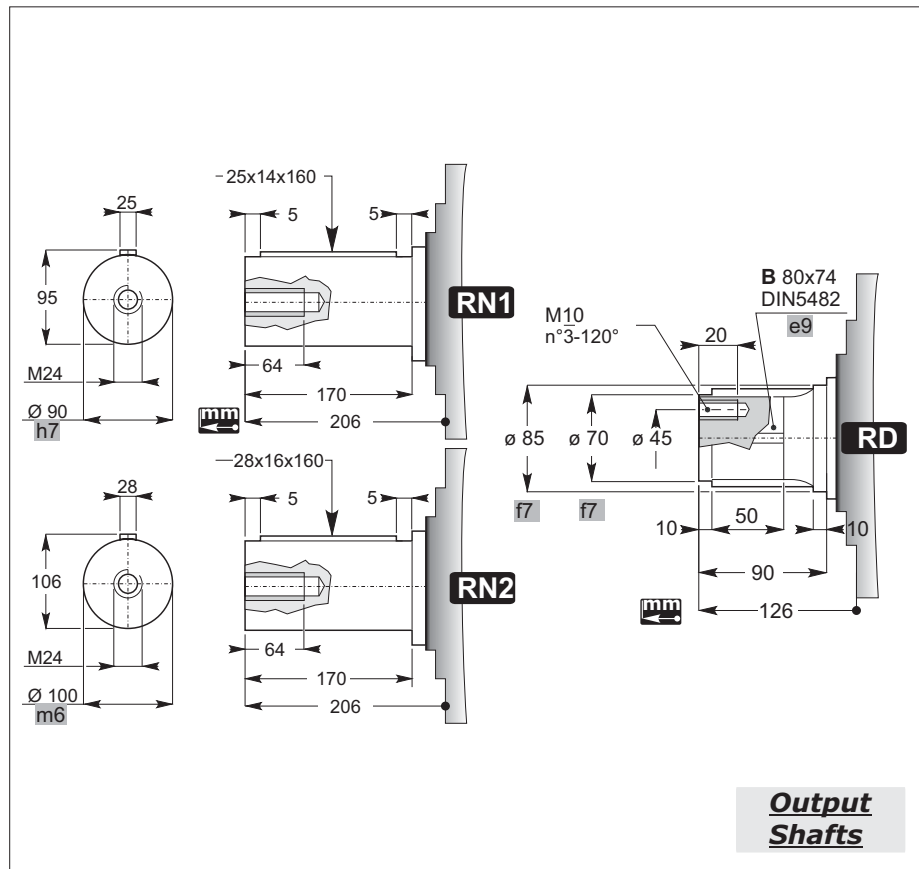
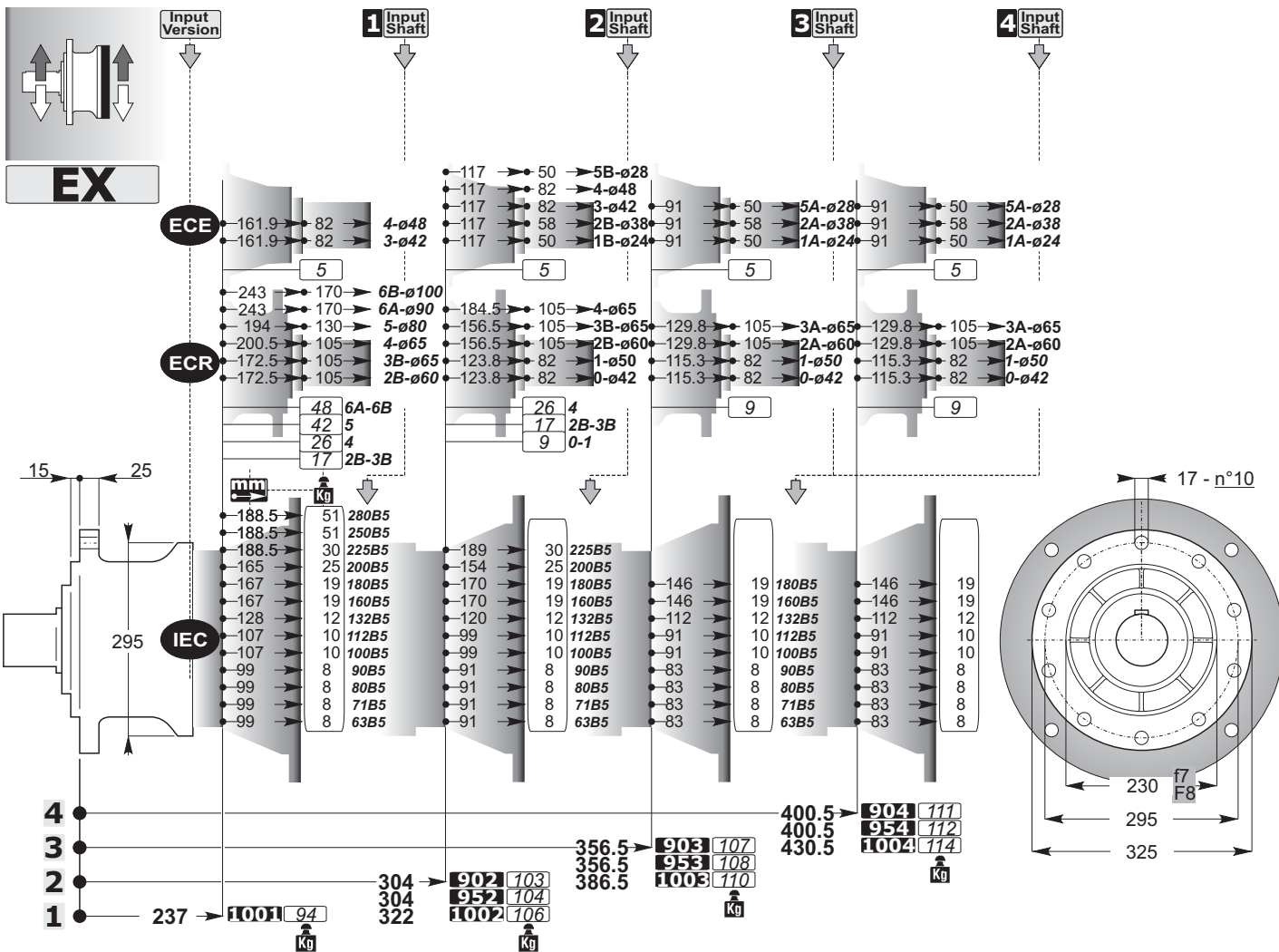


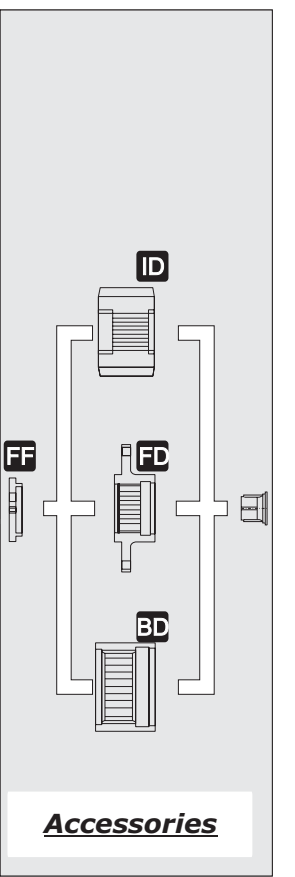
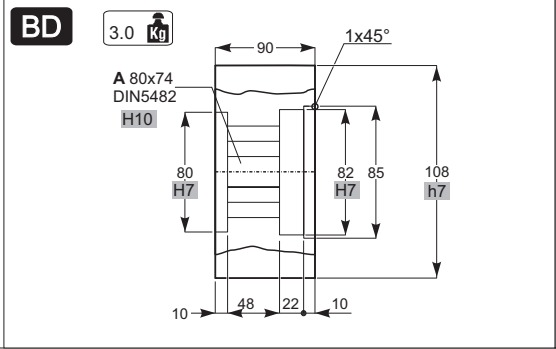
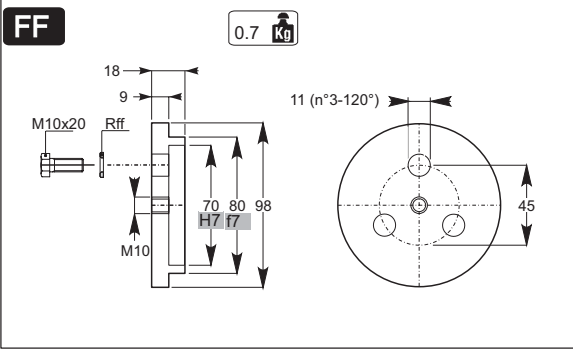
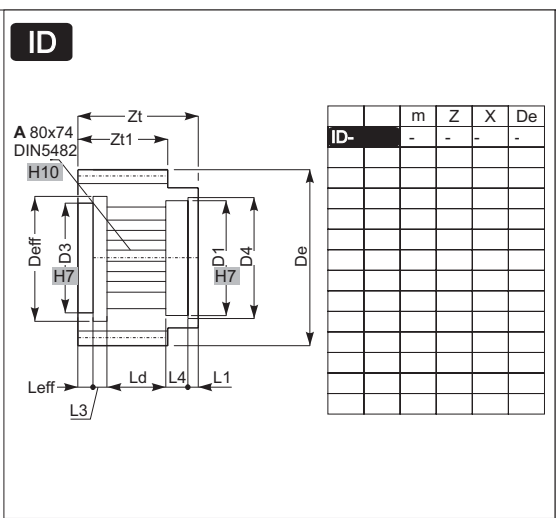
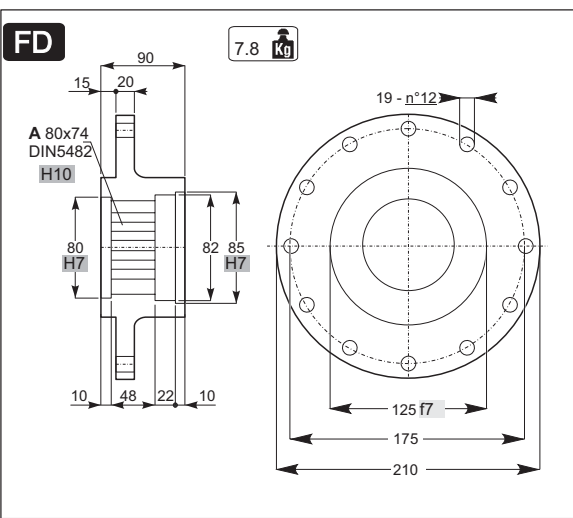
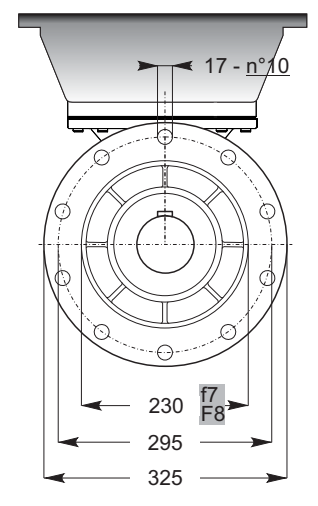
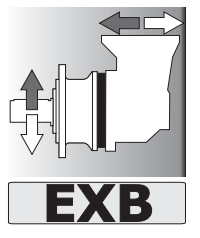
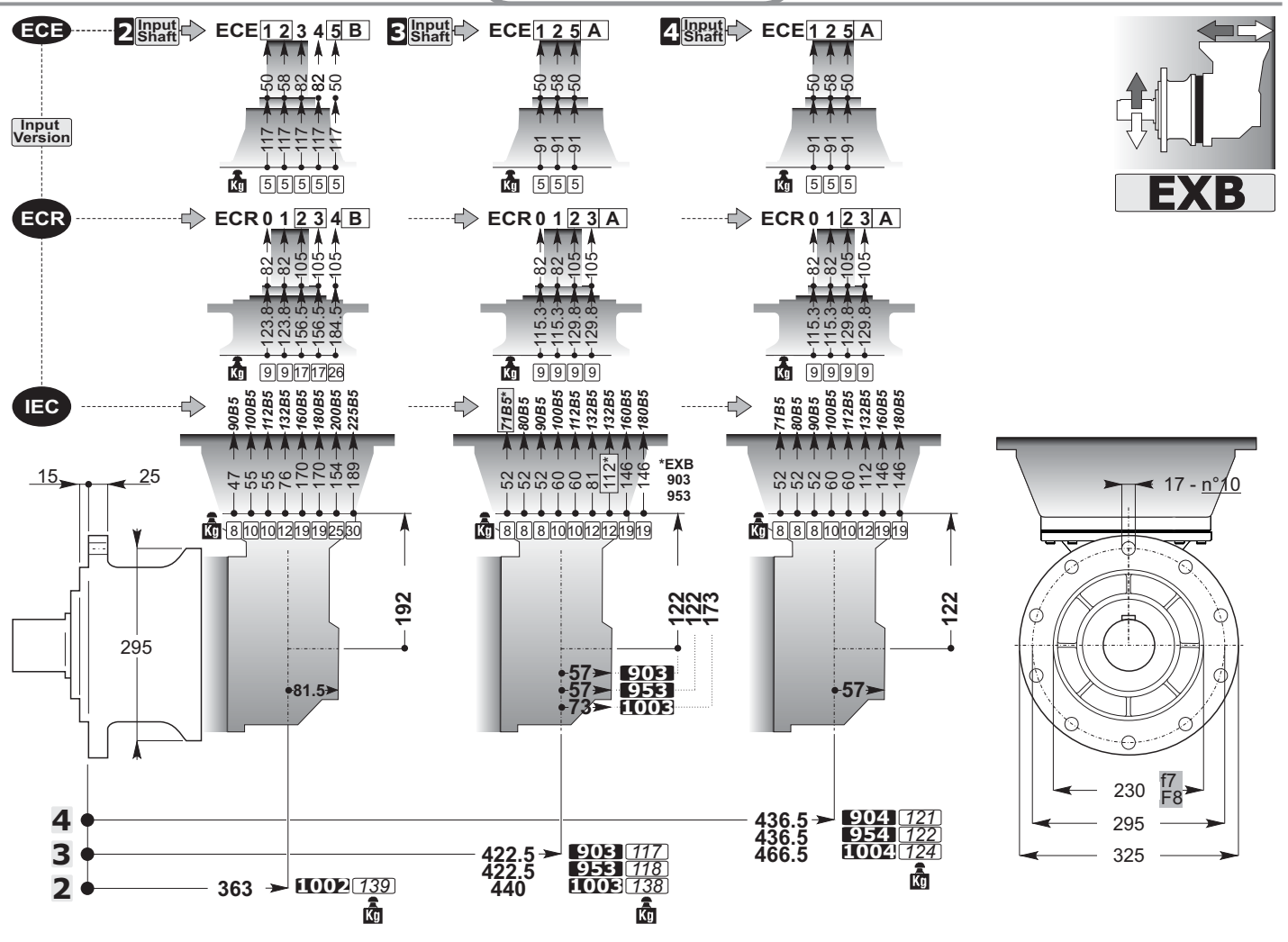




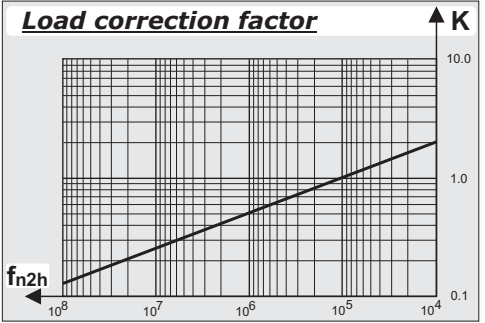
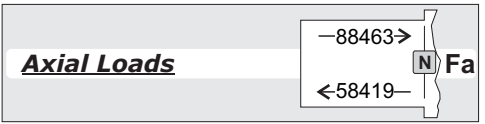
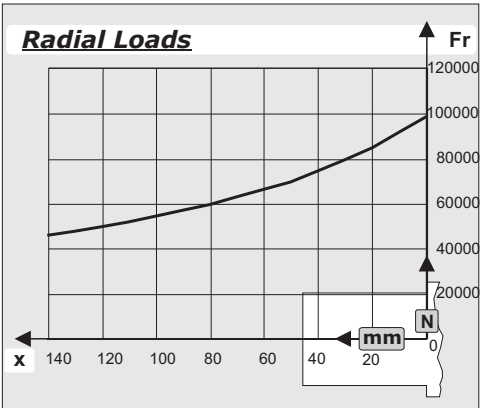
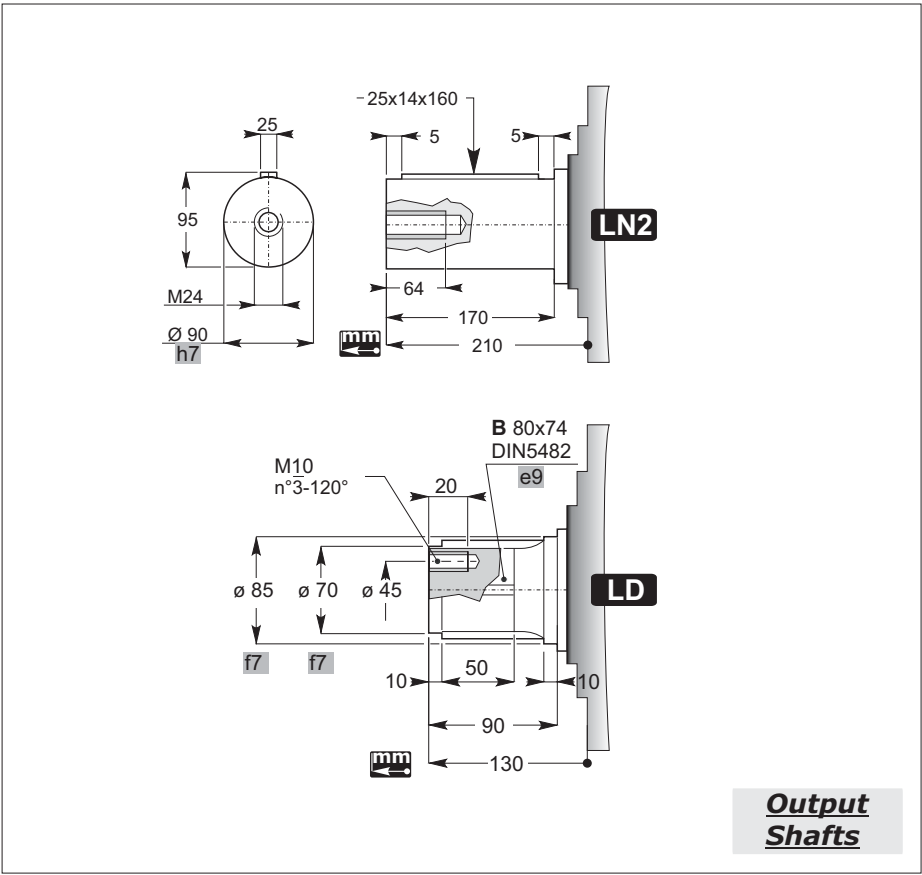
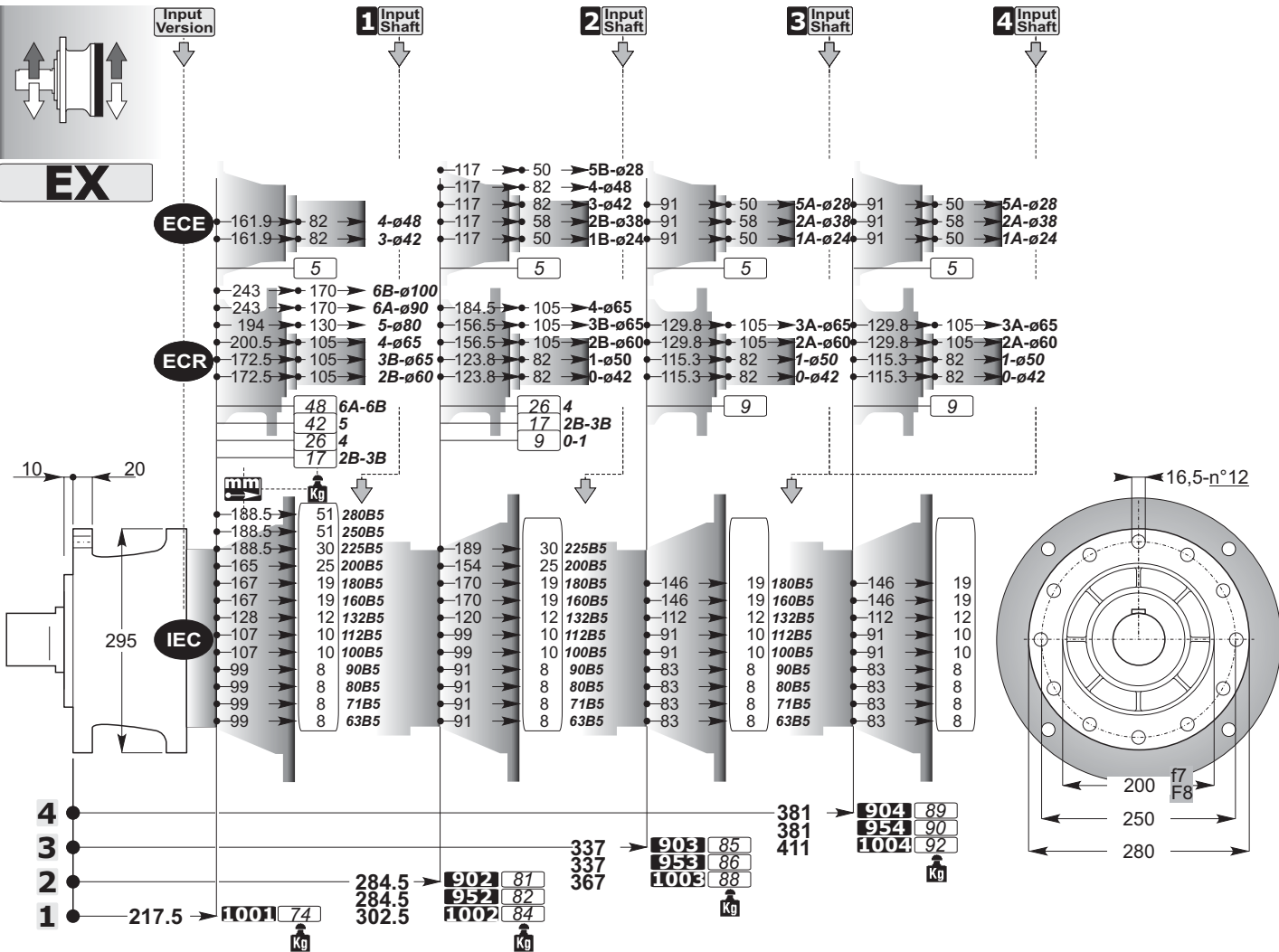


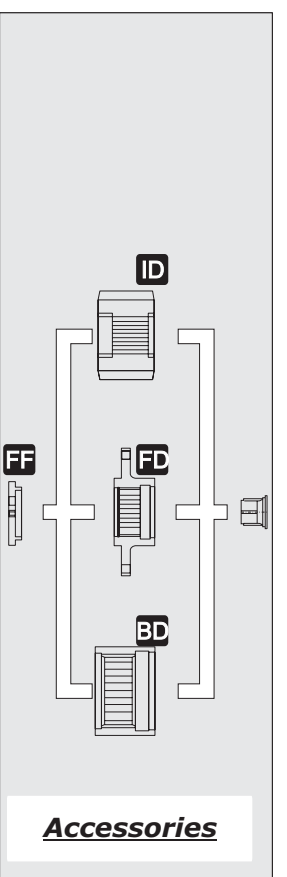
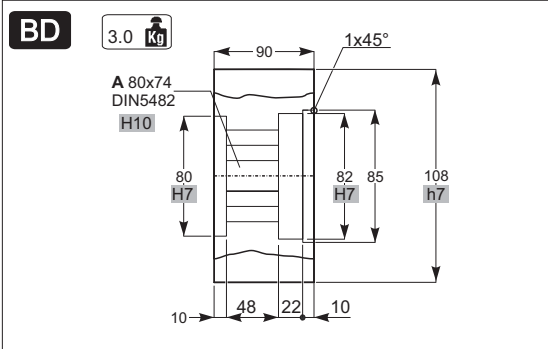
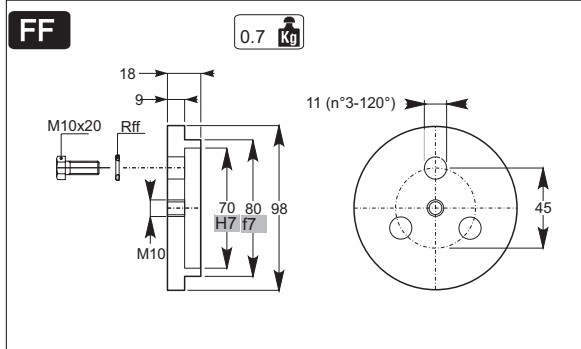
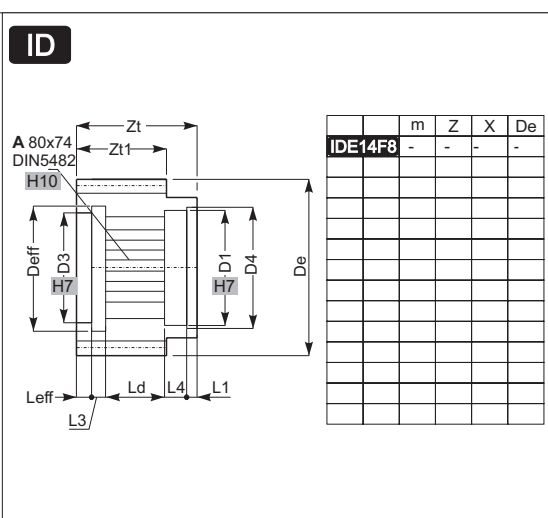
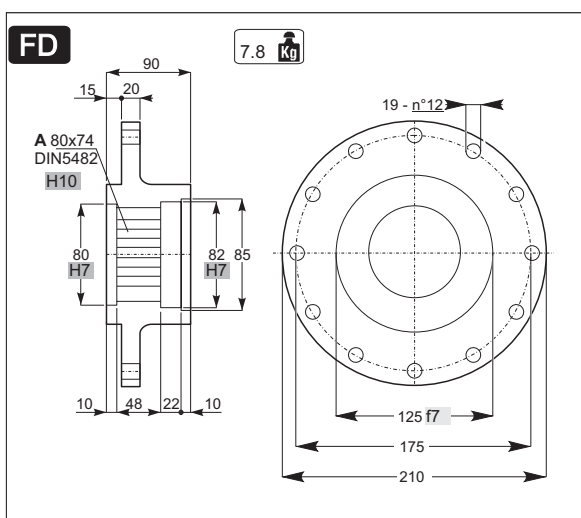
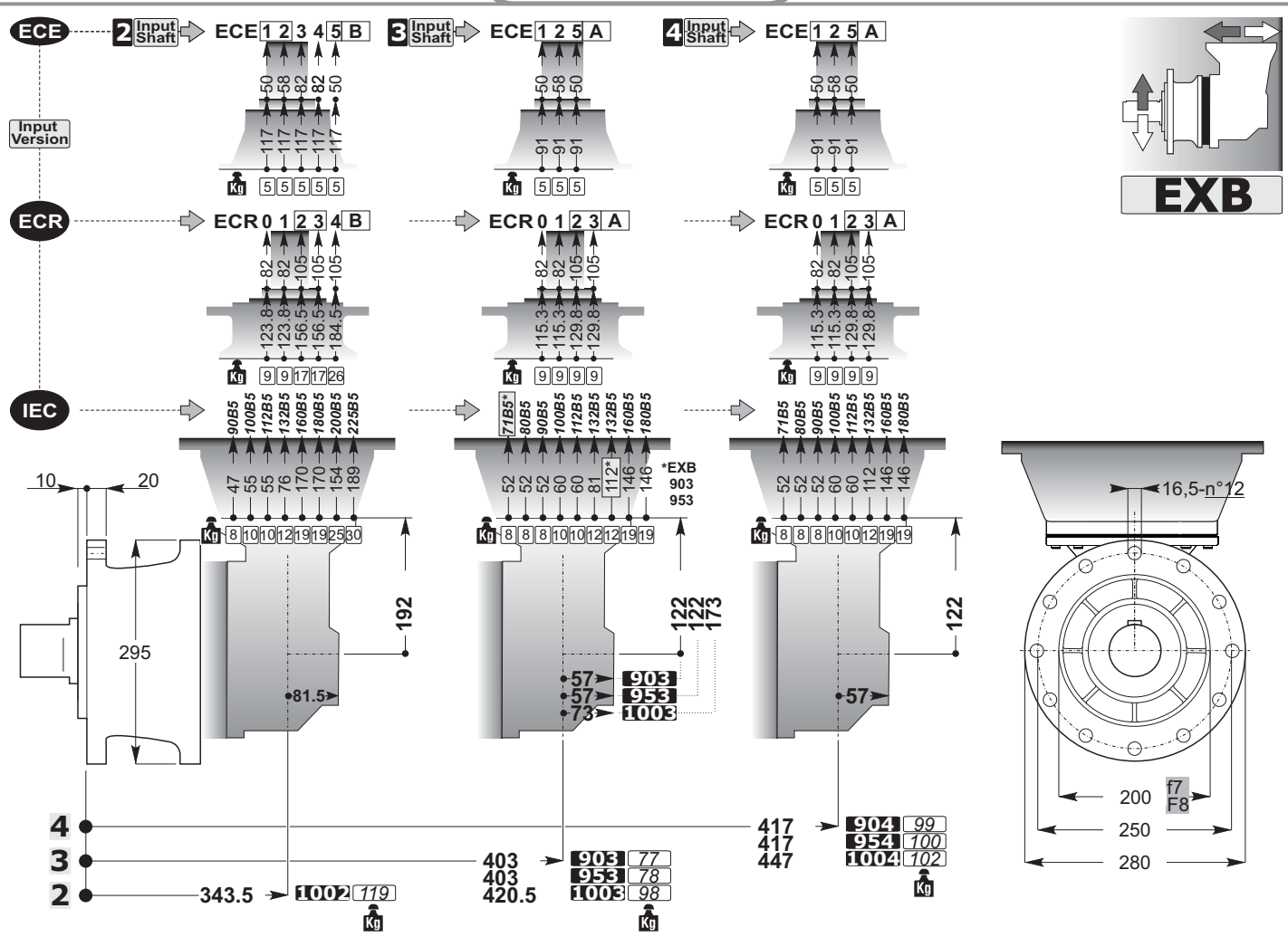
mm
C



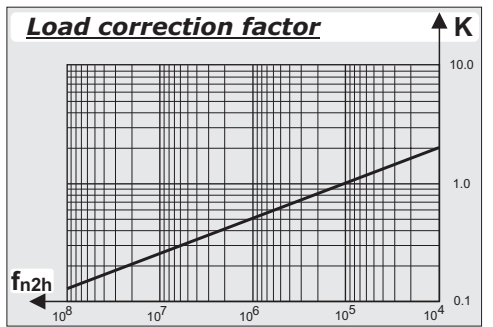
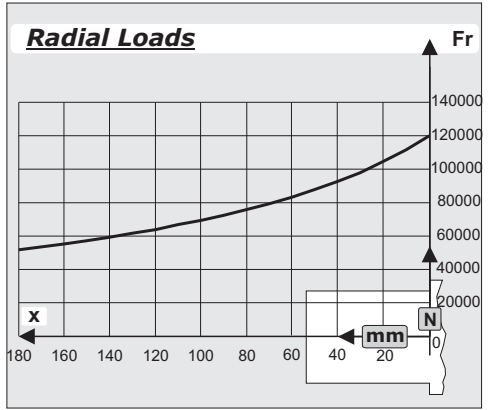
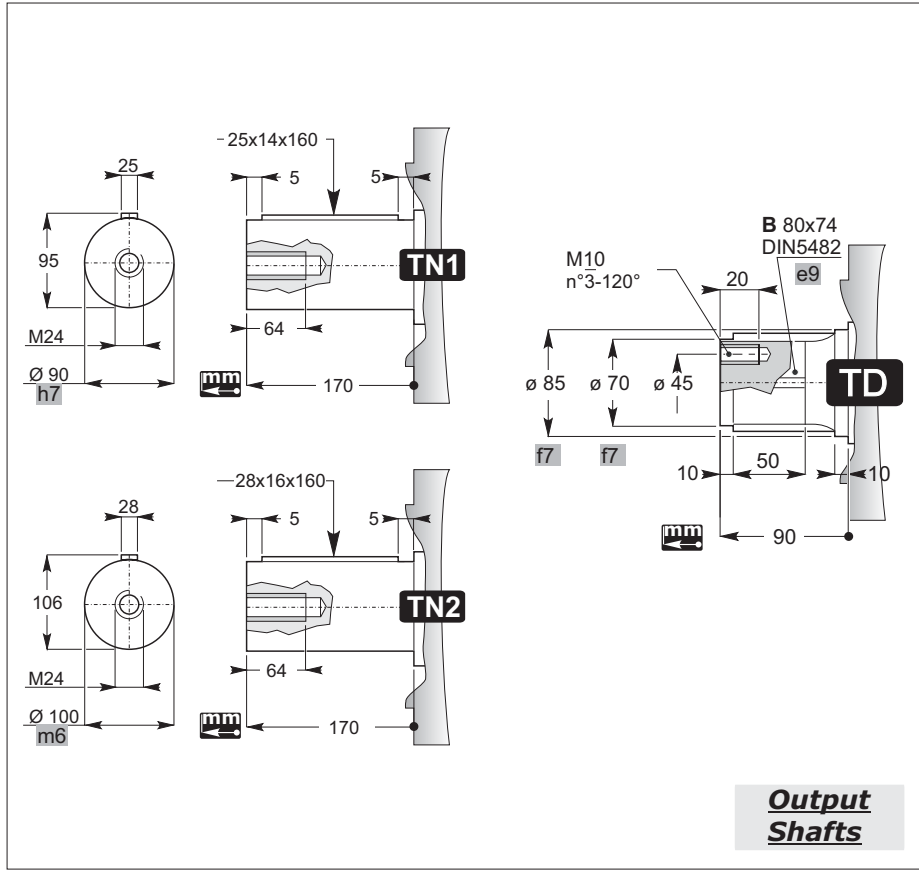
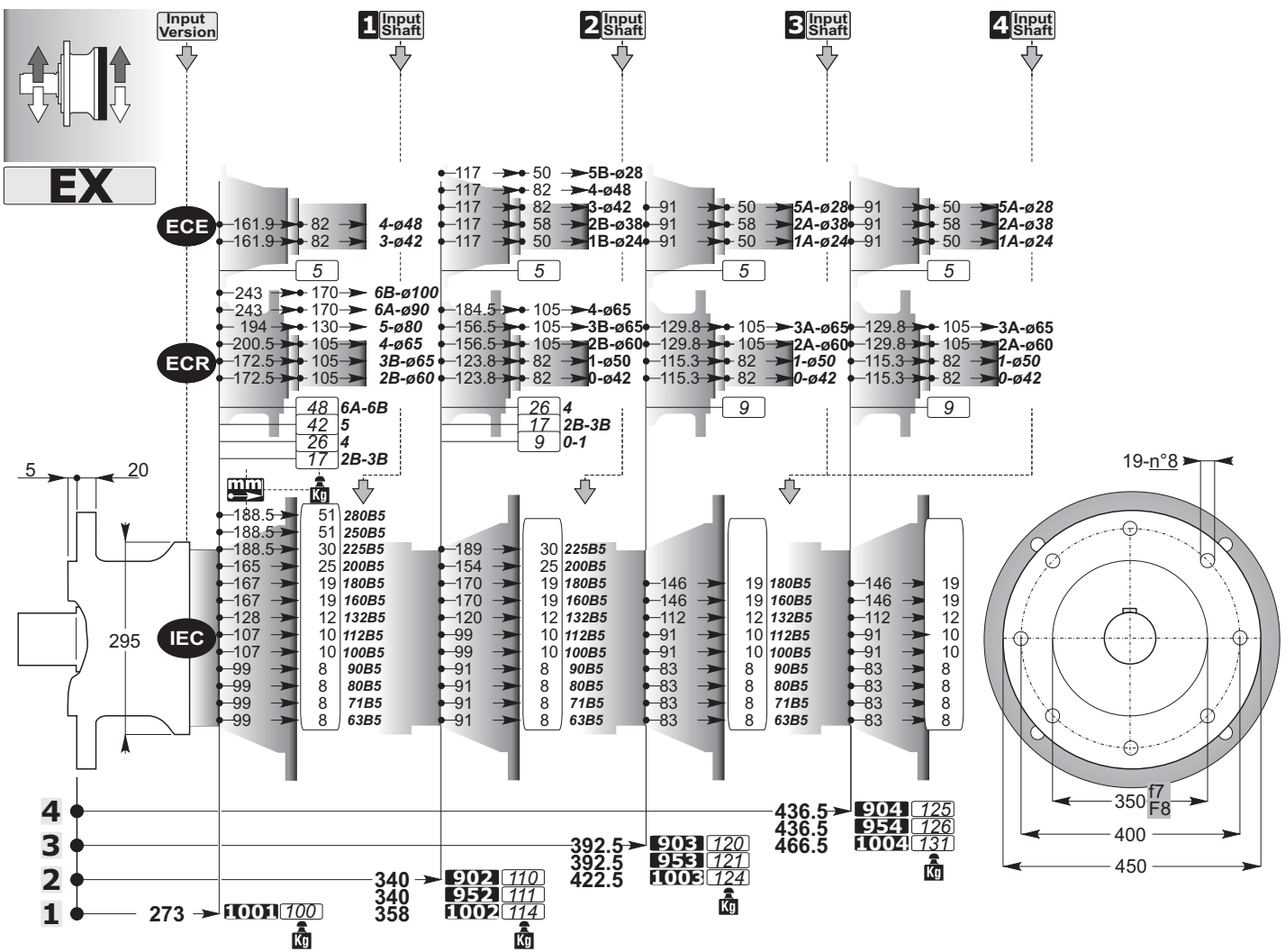


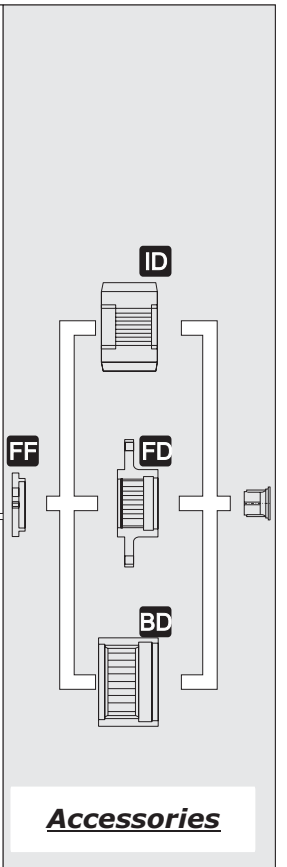
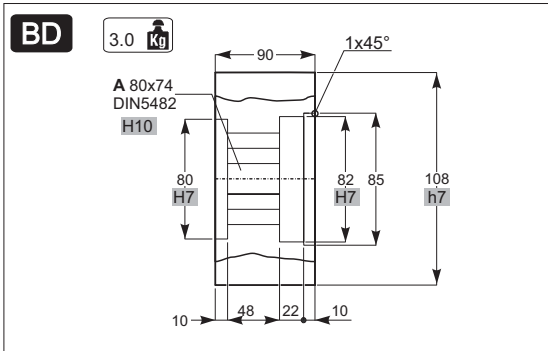
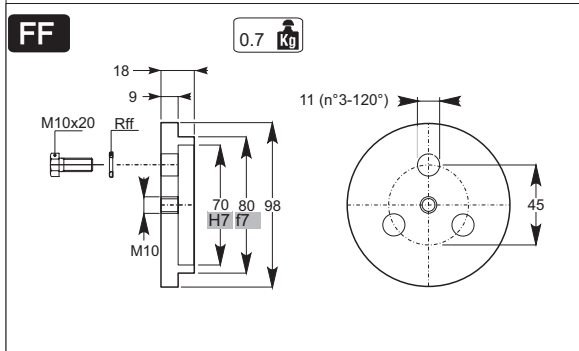
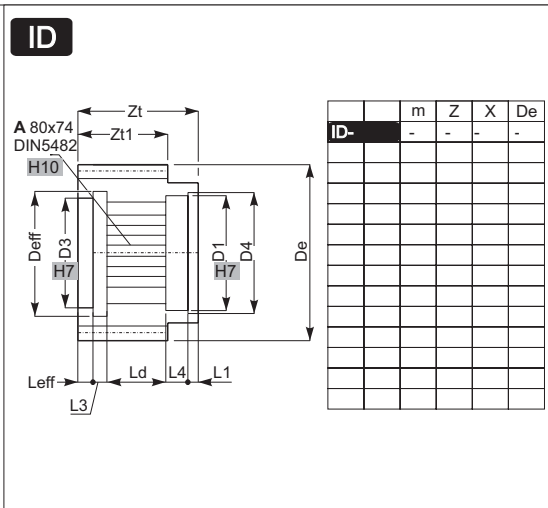
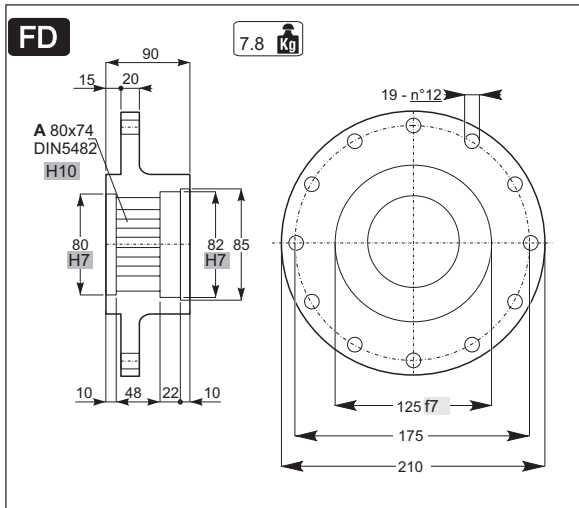
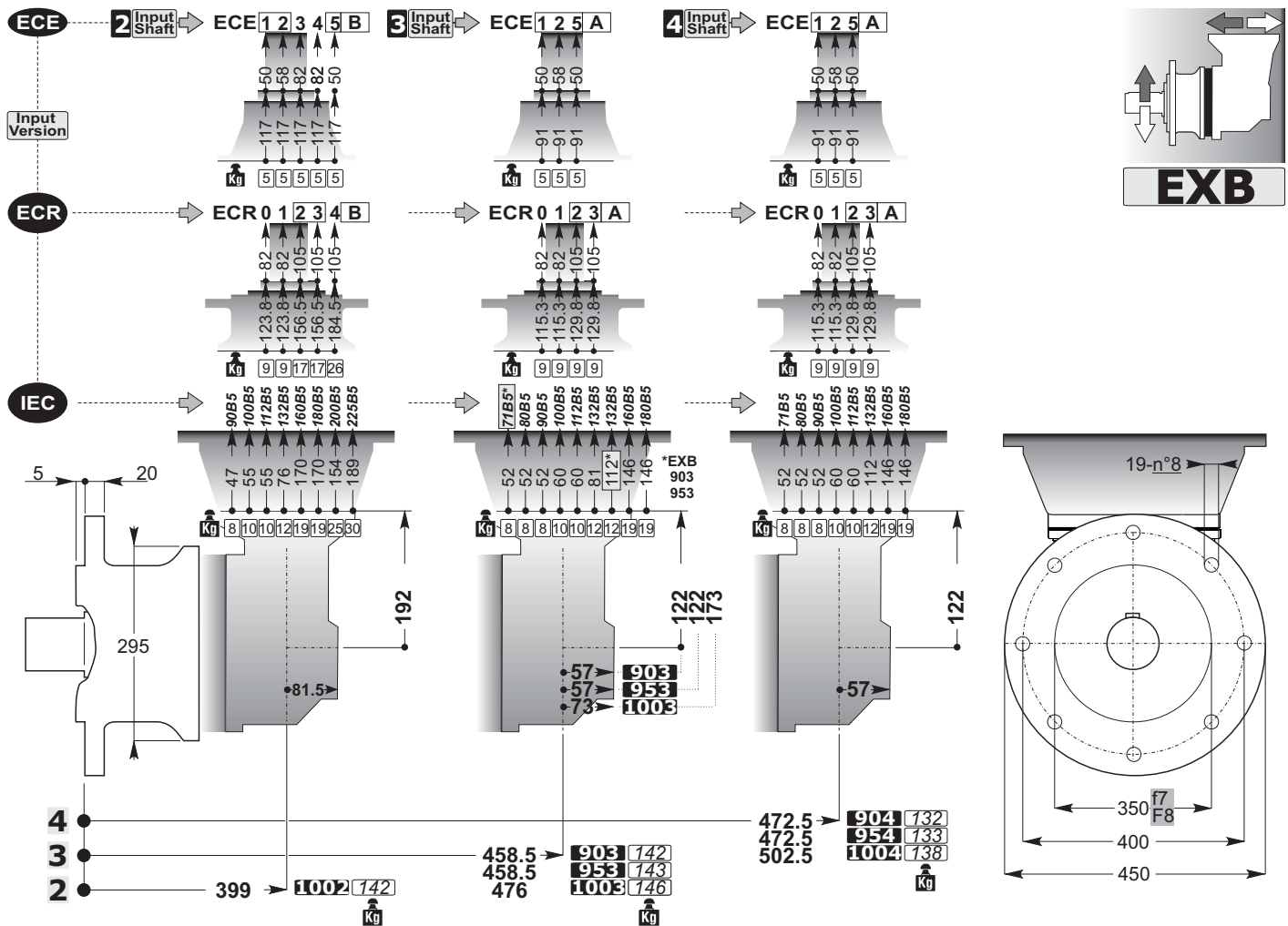
mm
C

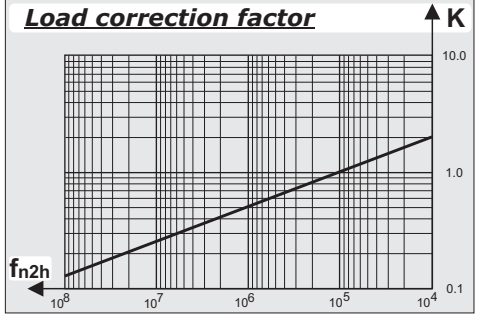
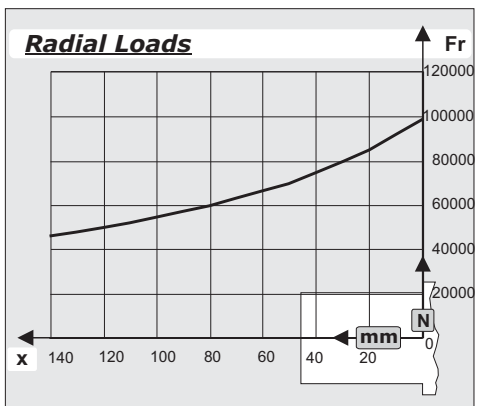
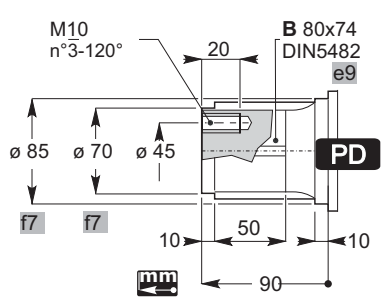
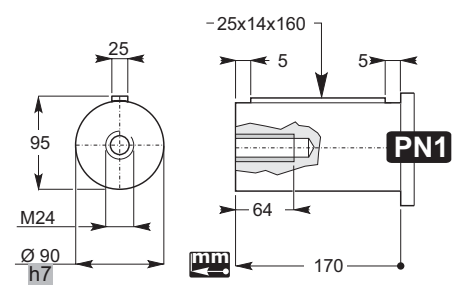
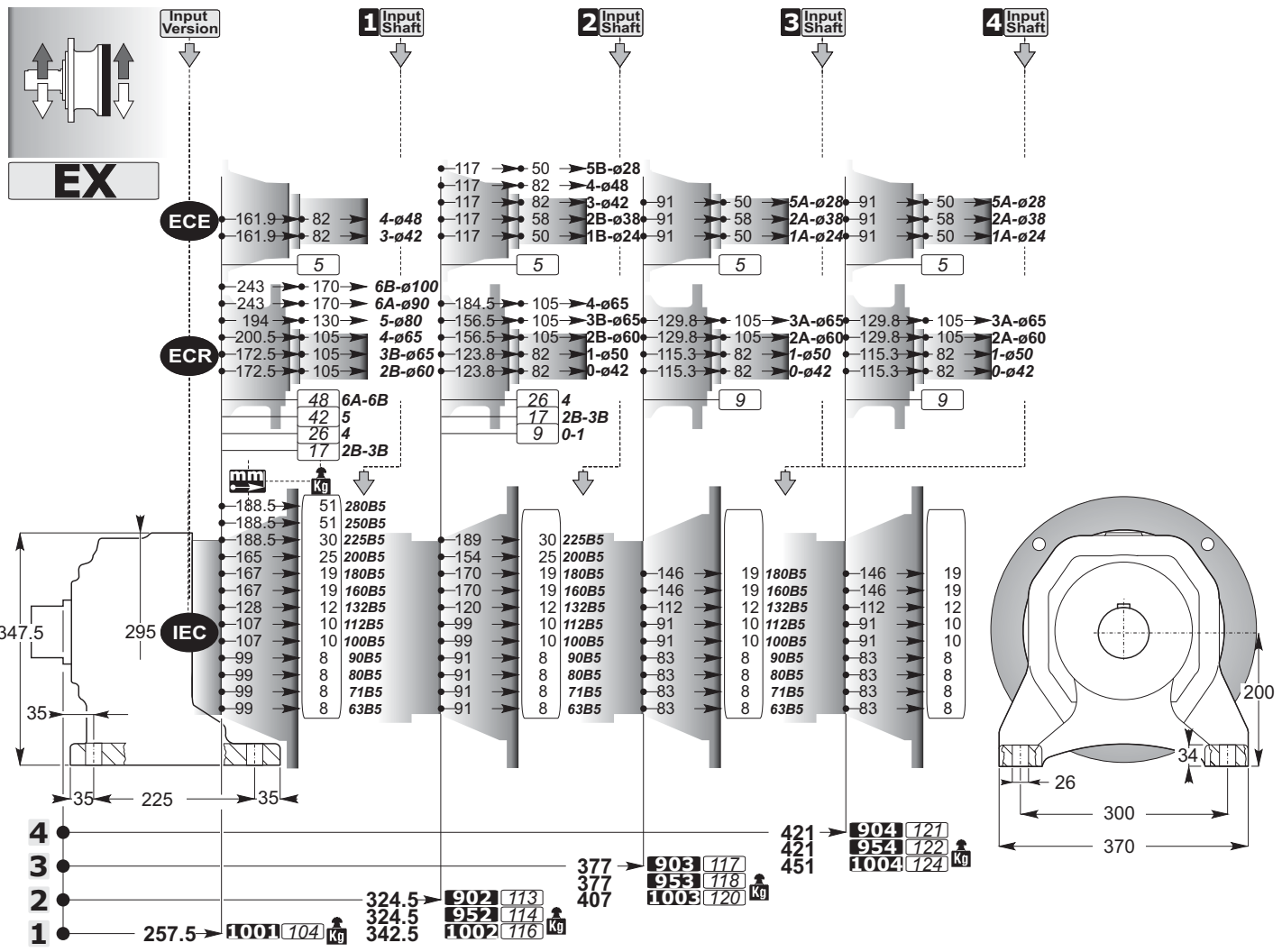


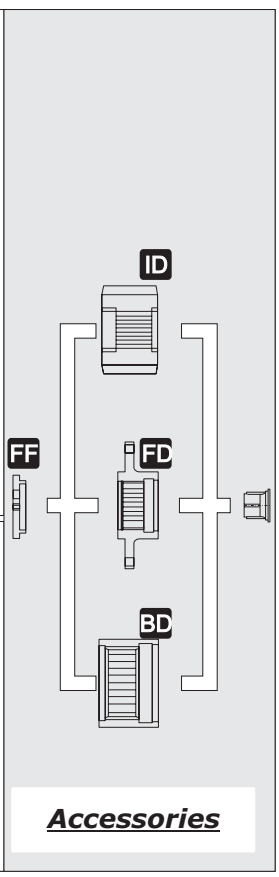
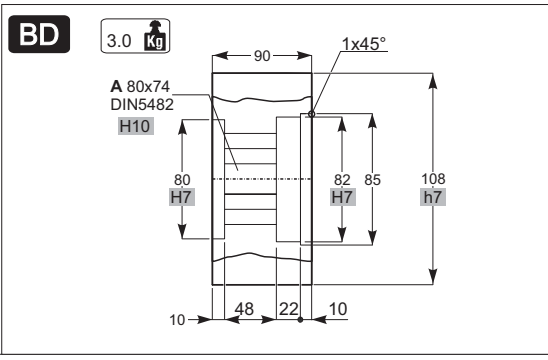
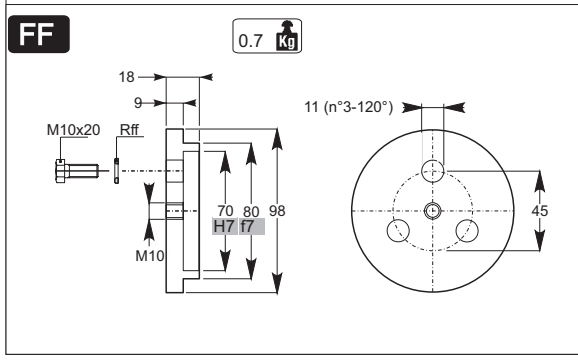
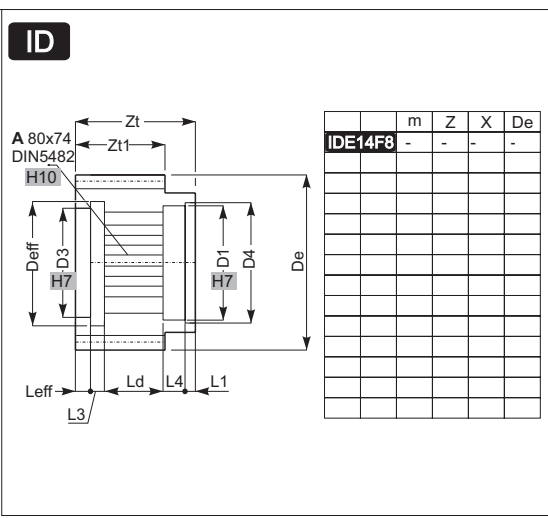
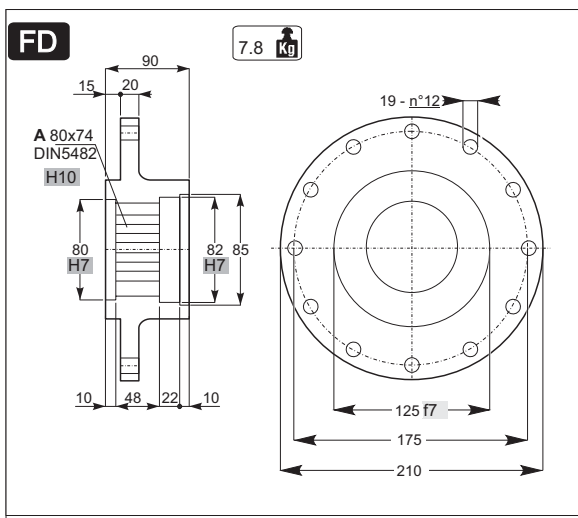
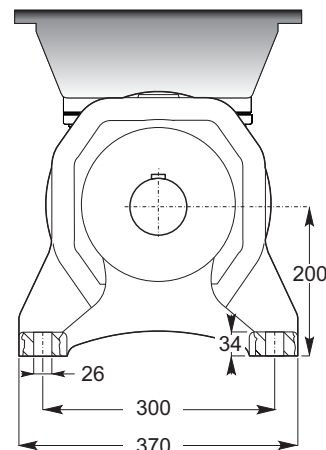
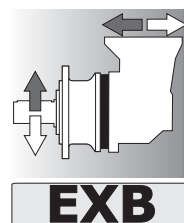
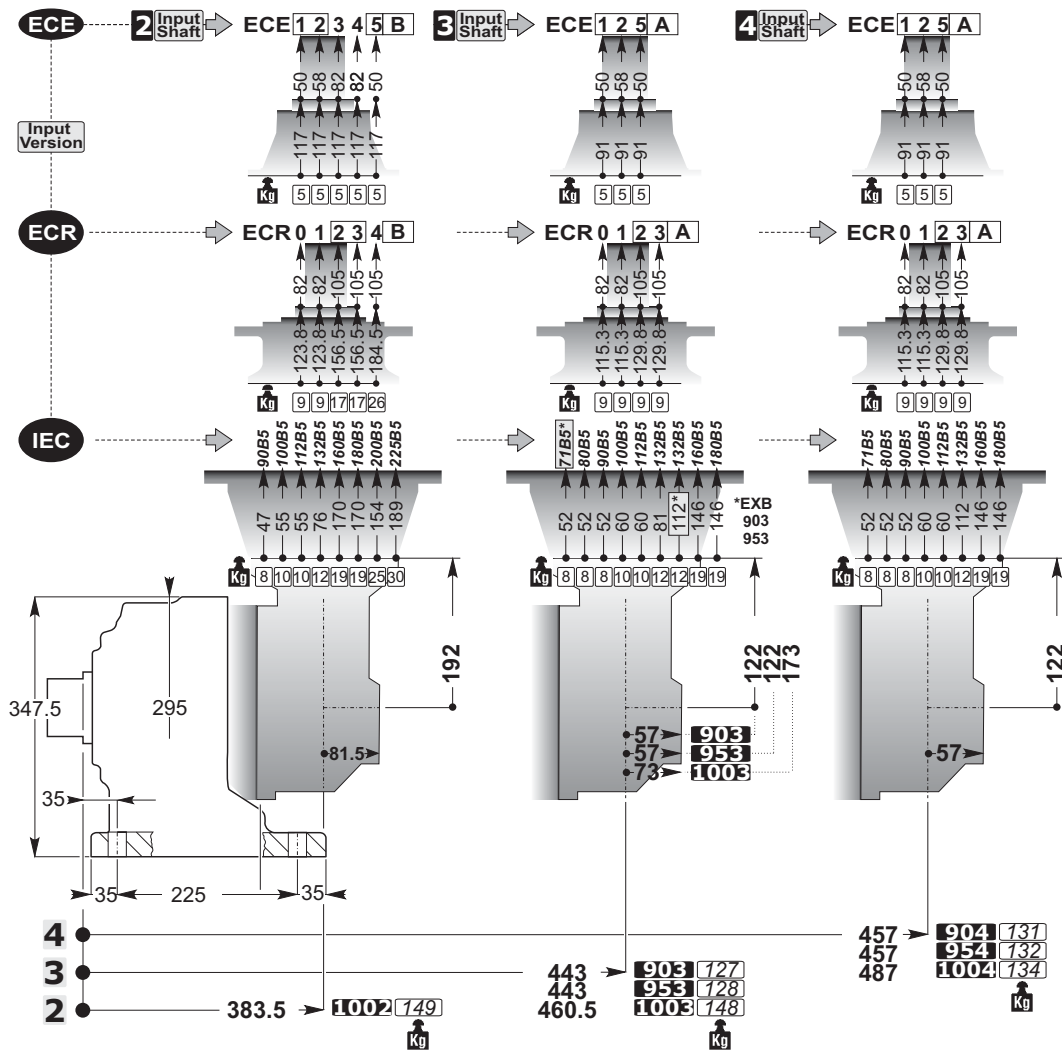


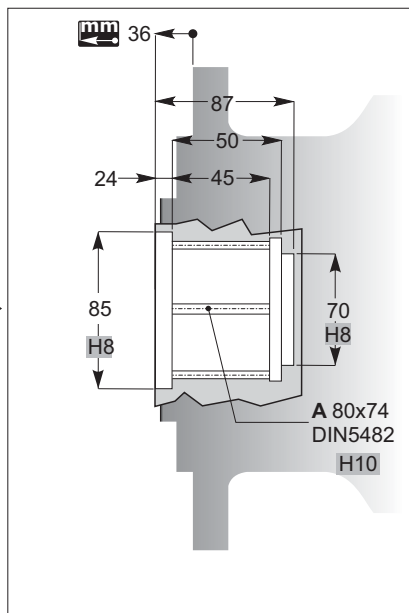
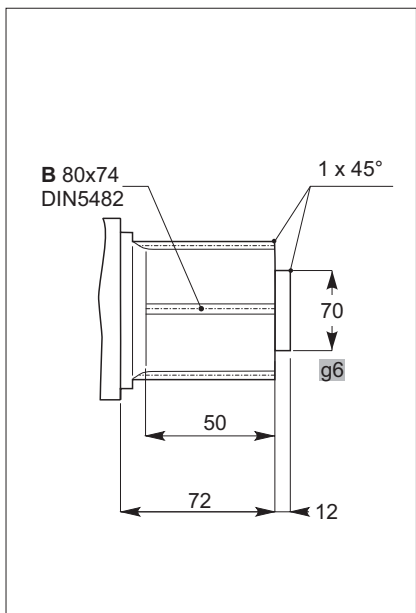
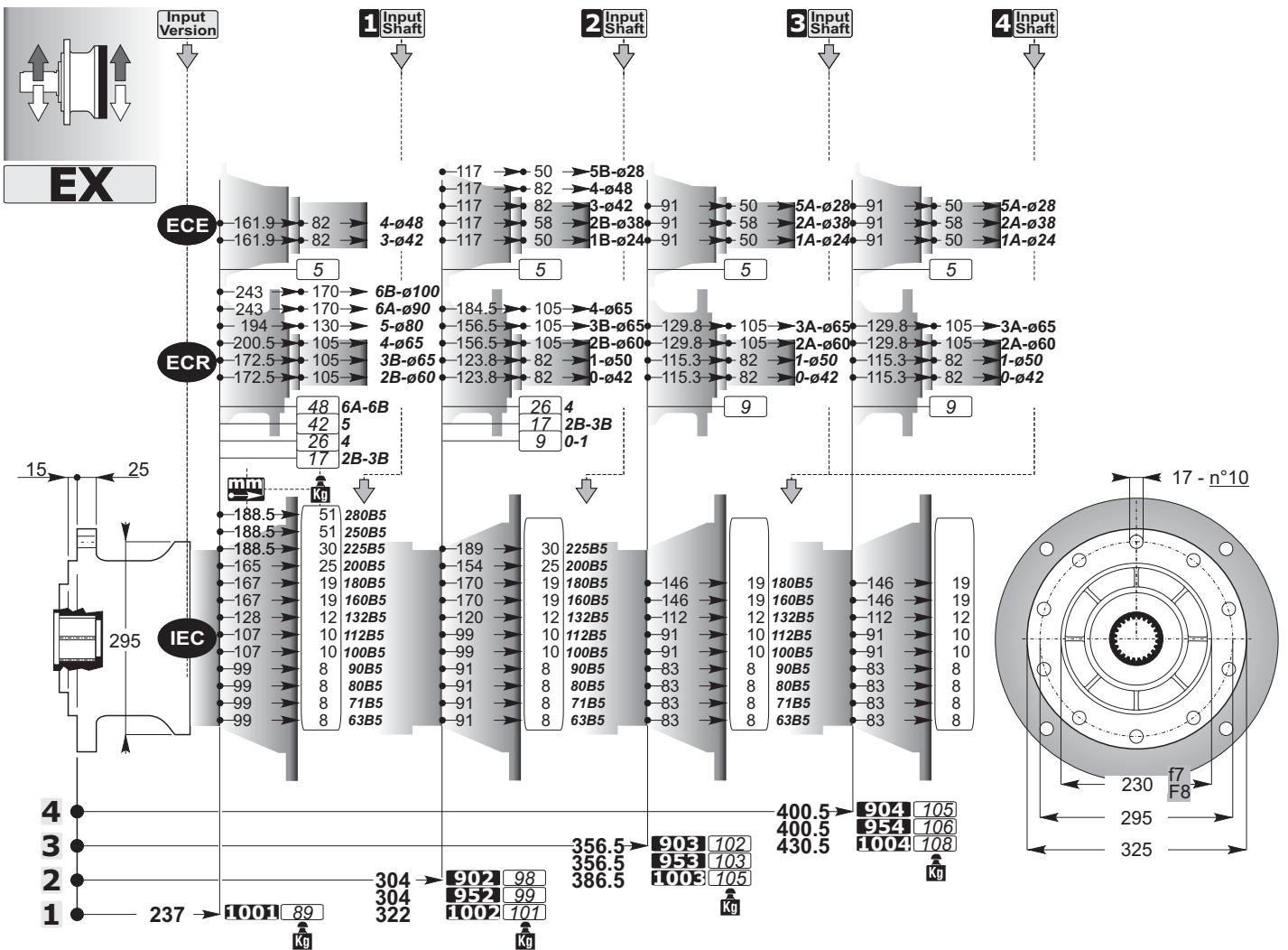
mm
C



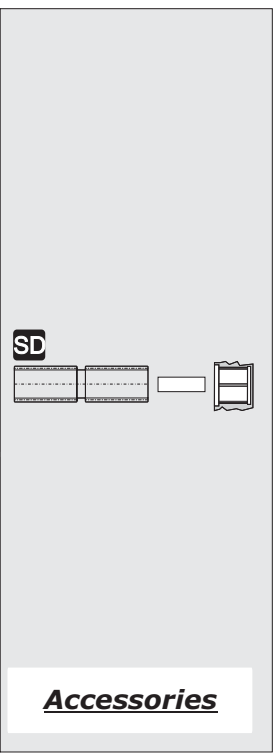
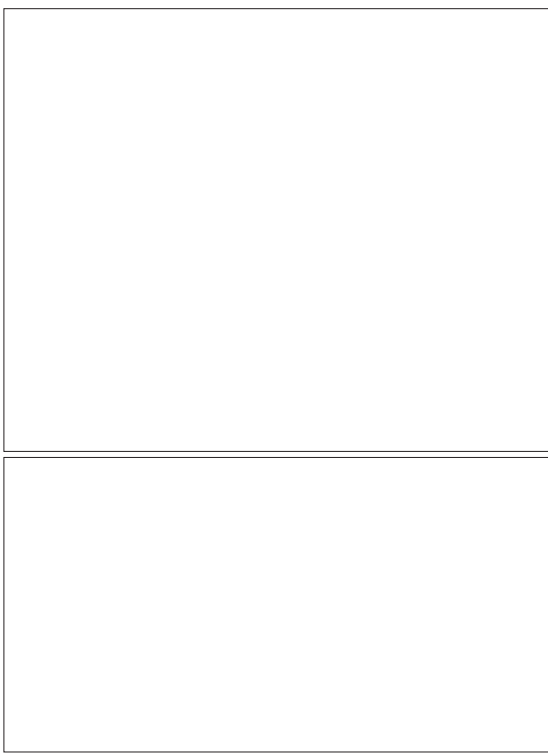
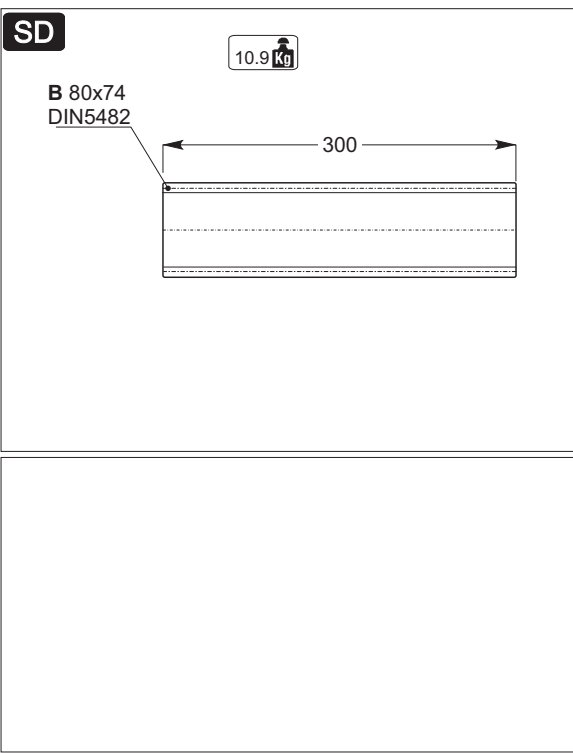
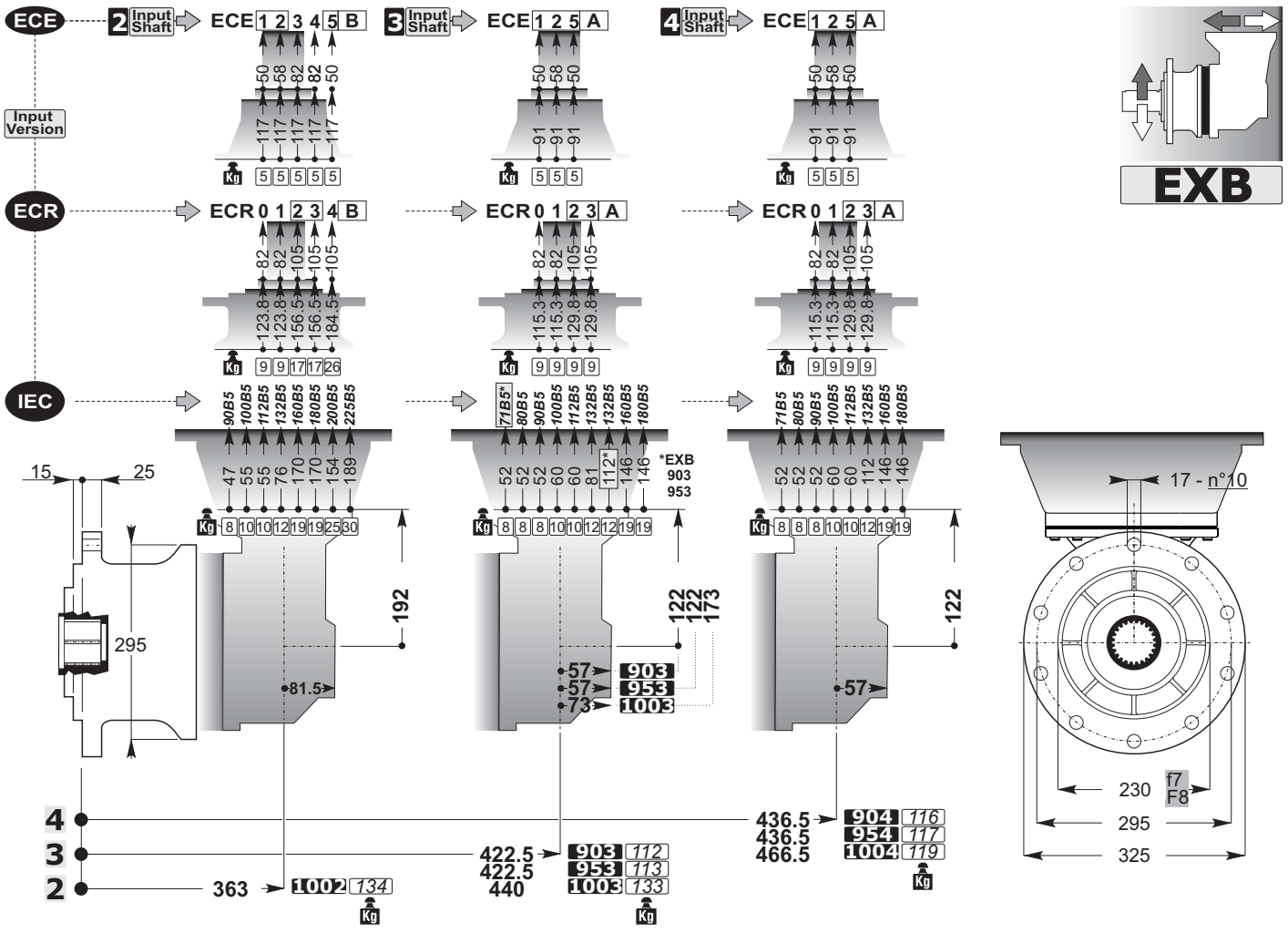




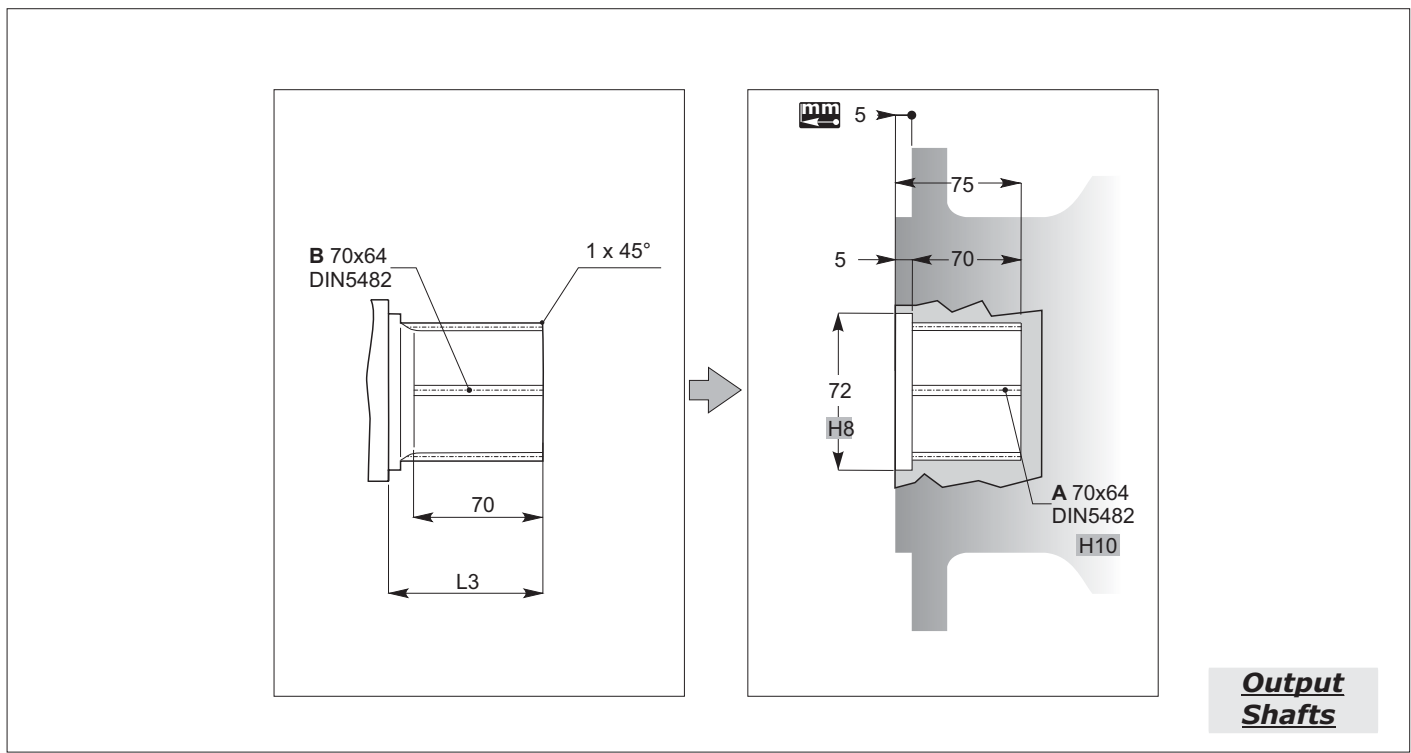
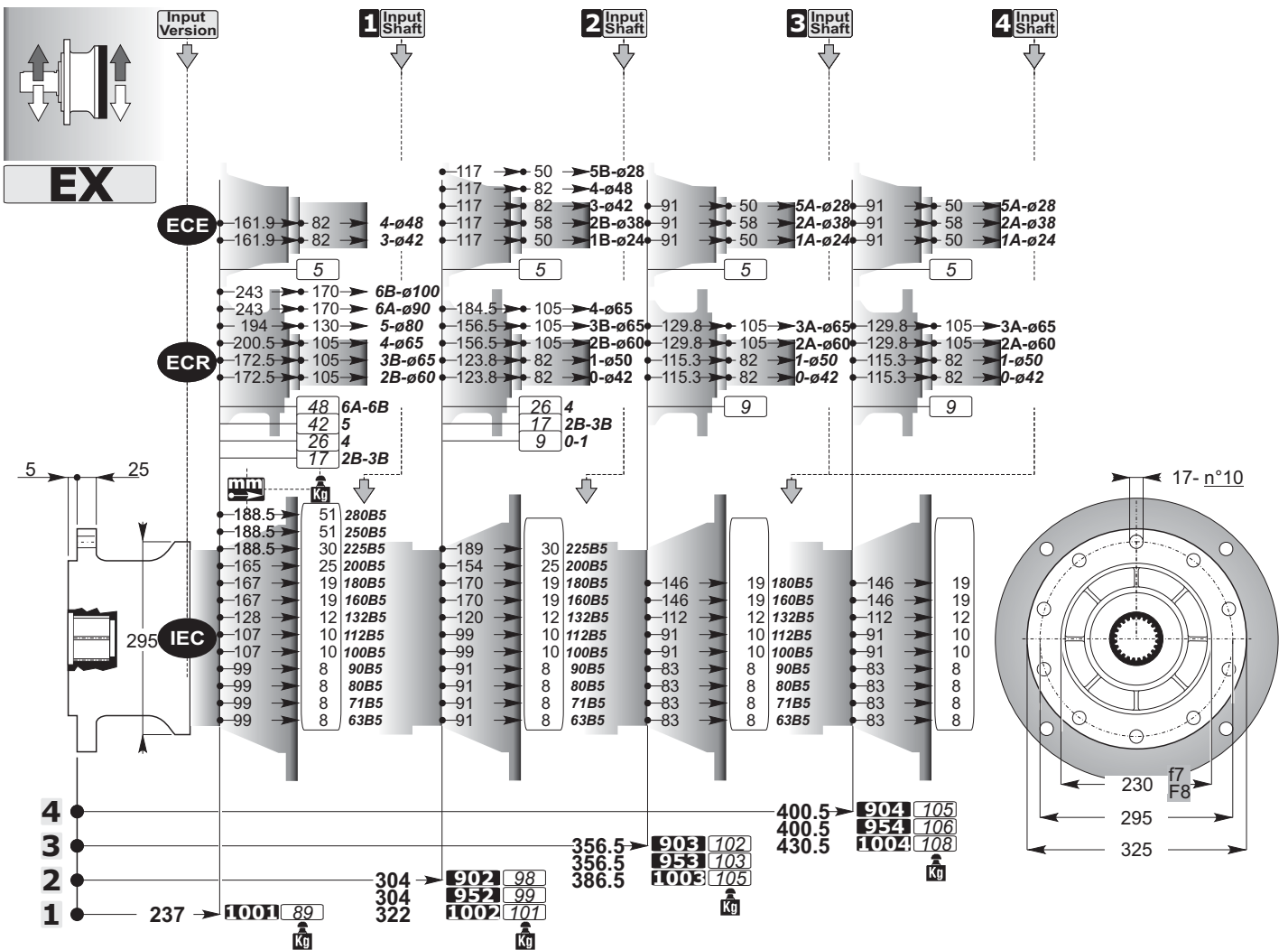


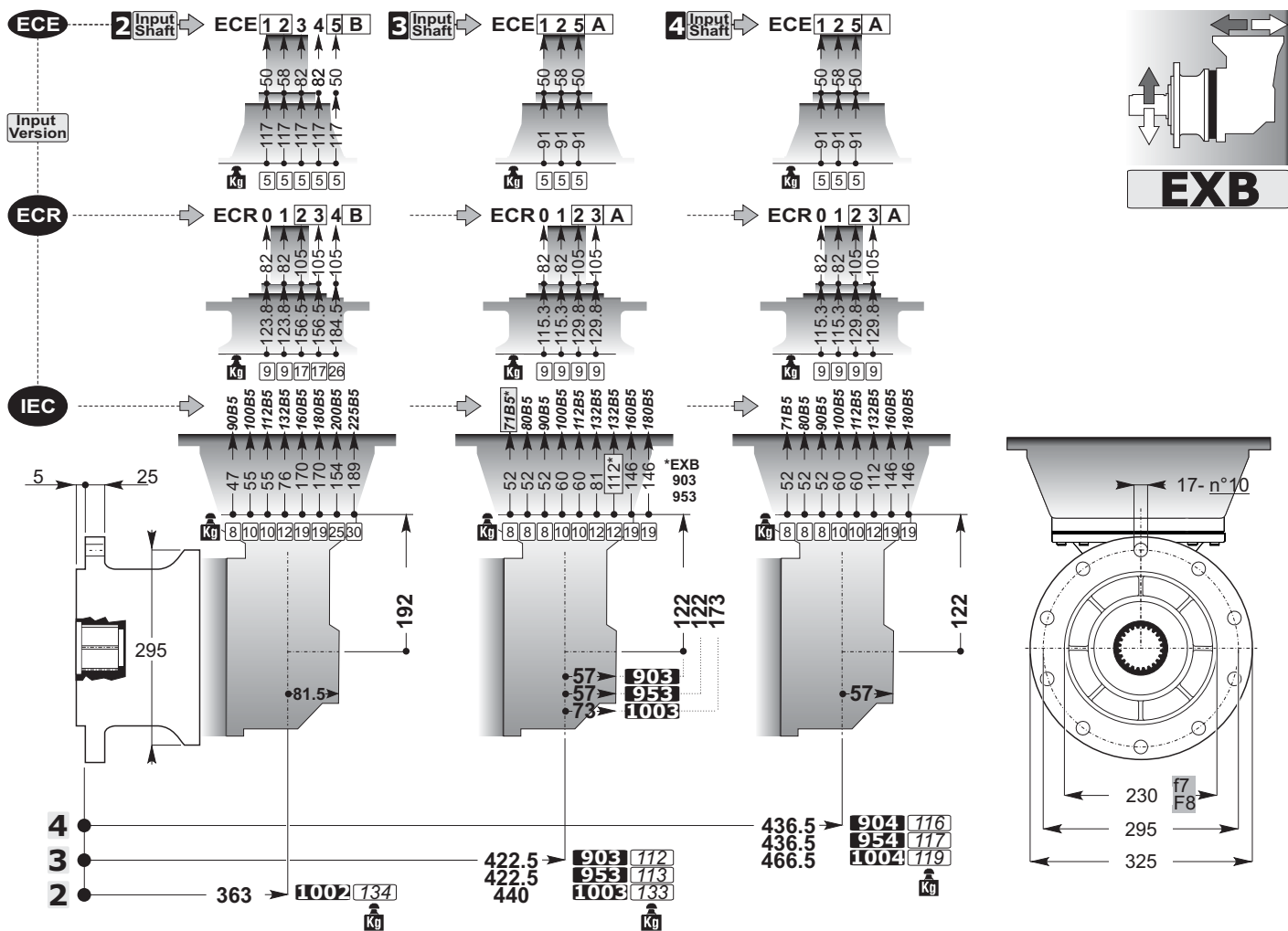


Output Shafts



mm
C



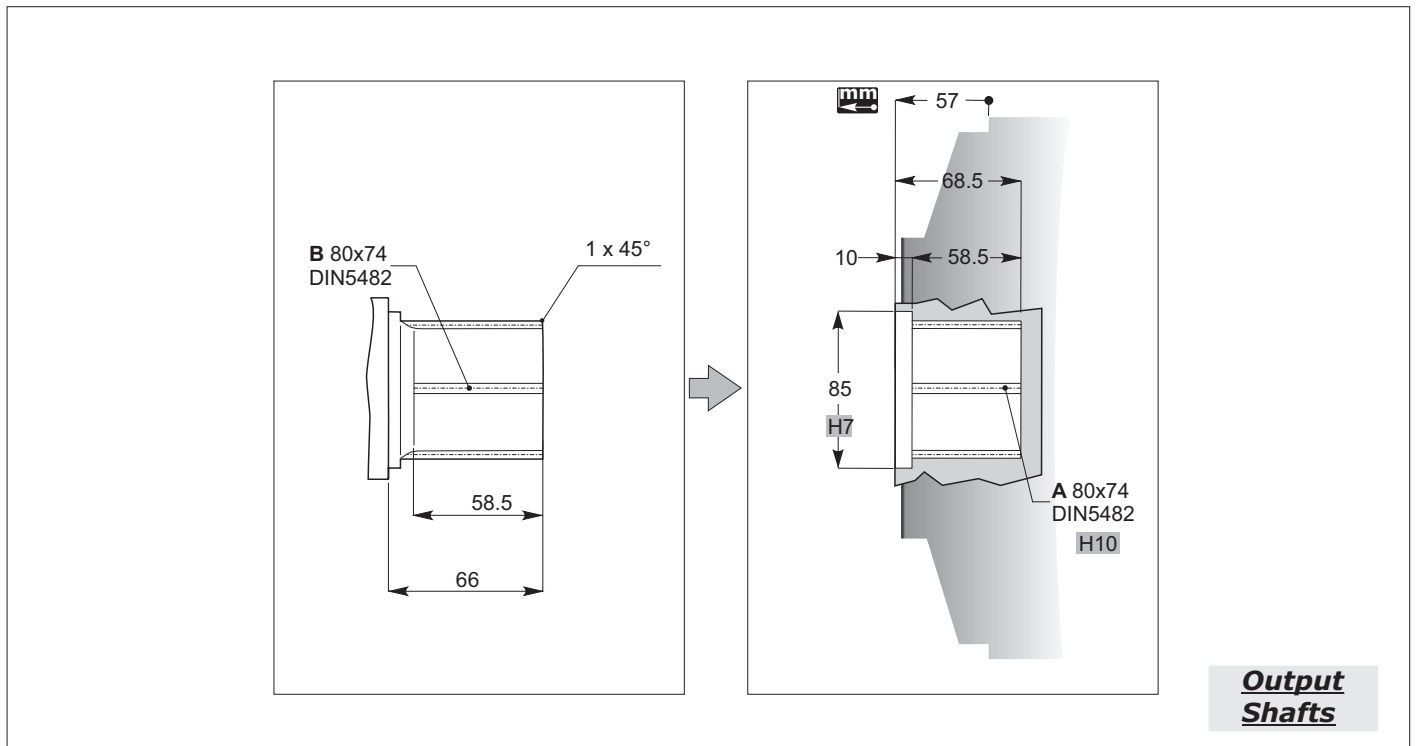
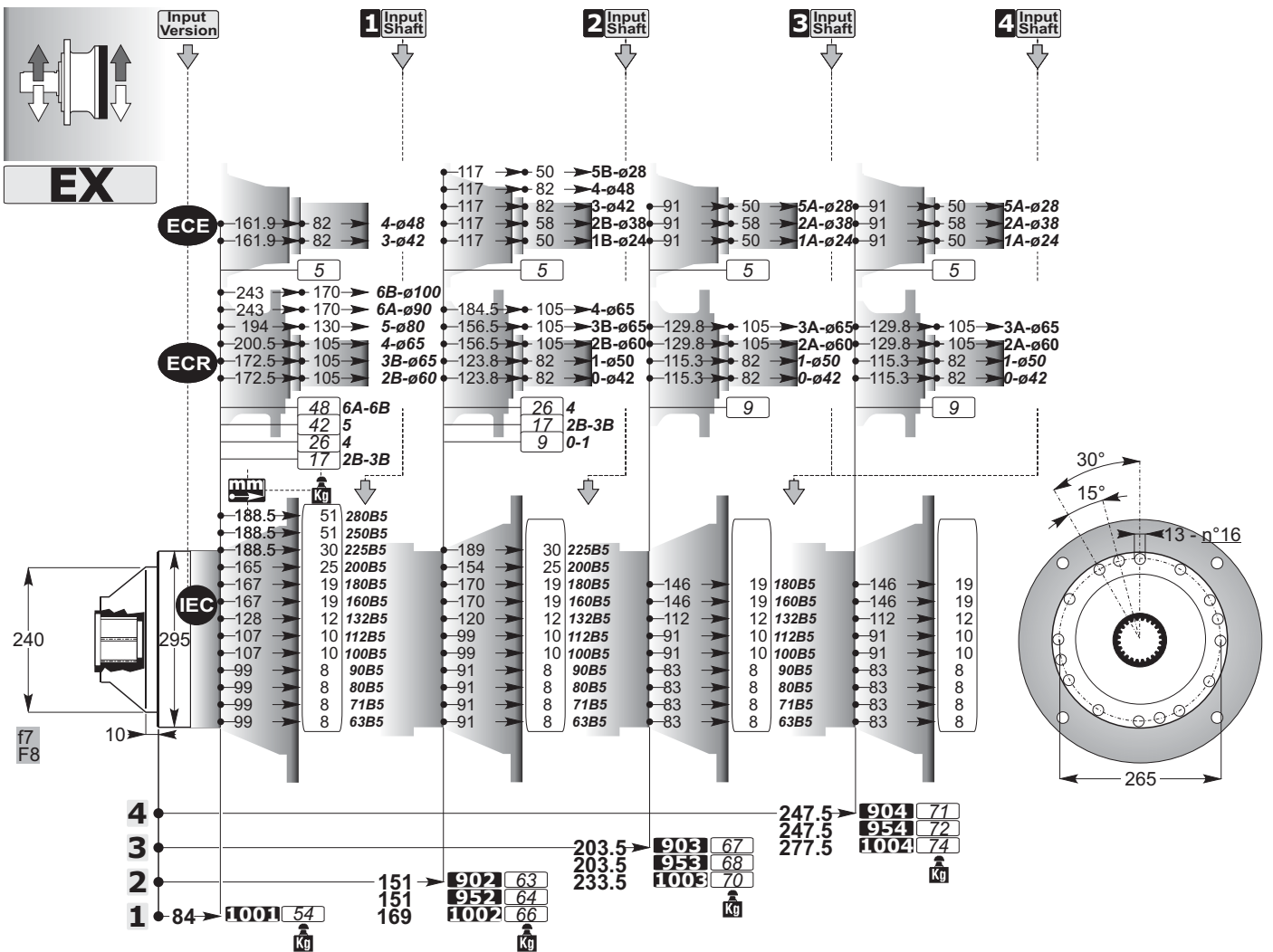


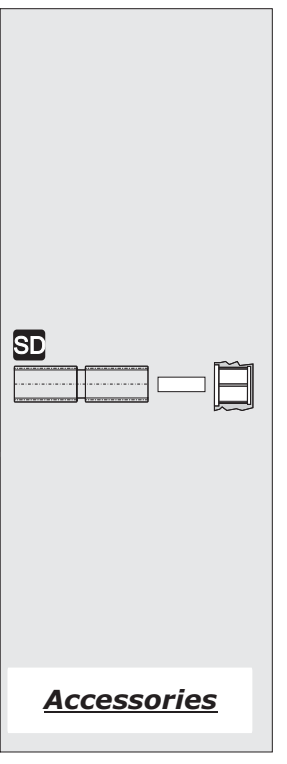
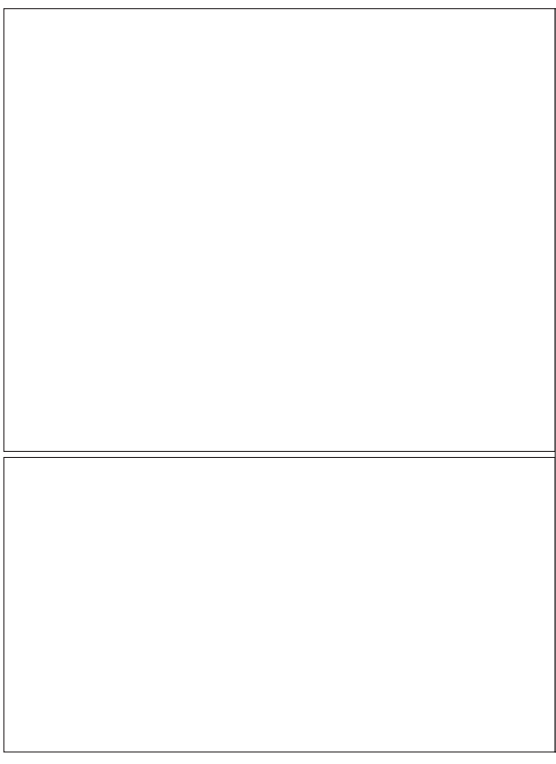
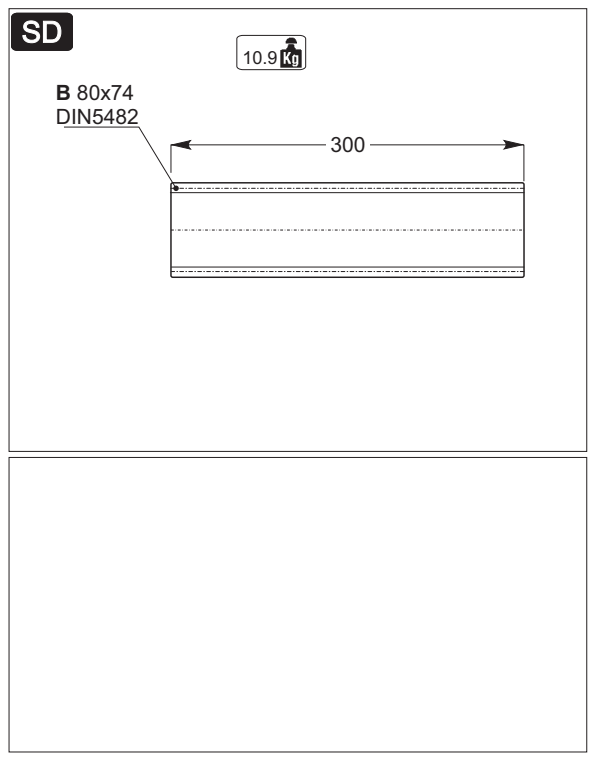
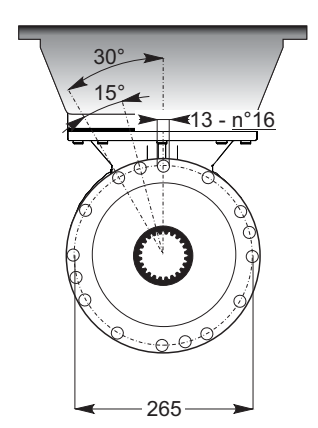
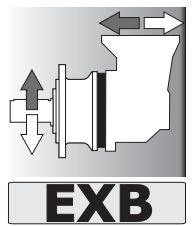
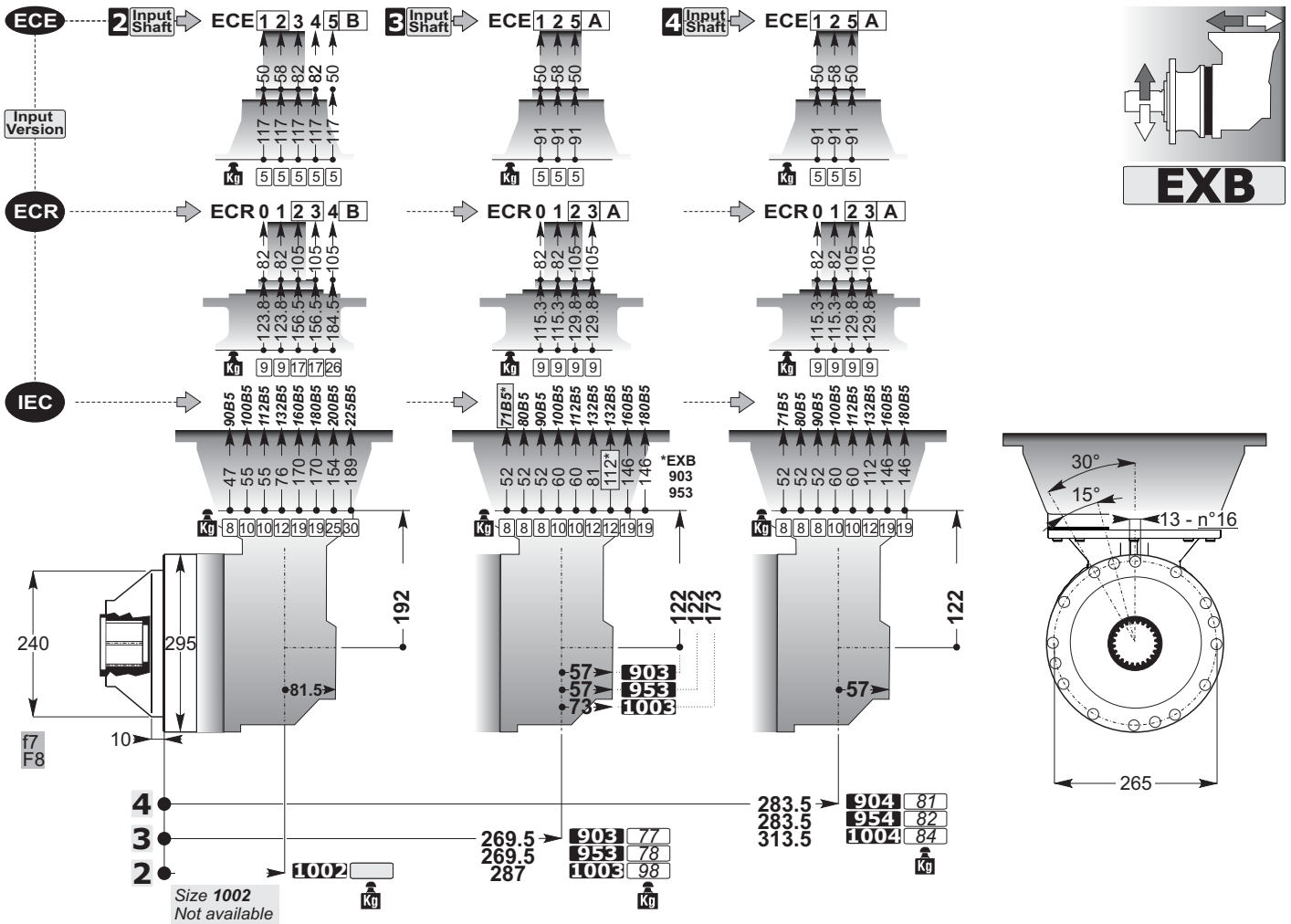
SD 8.2 Kg

B 70x64
DIN5482

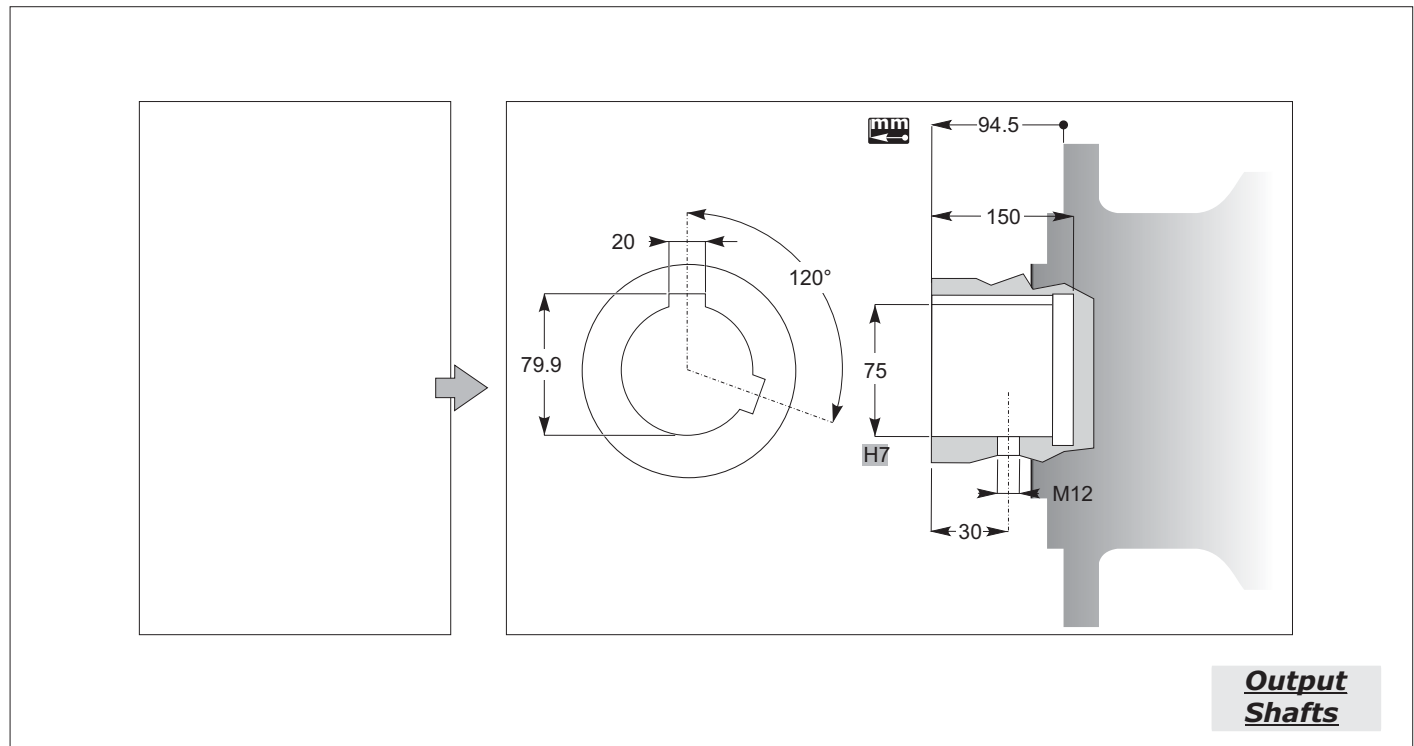
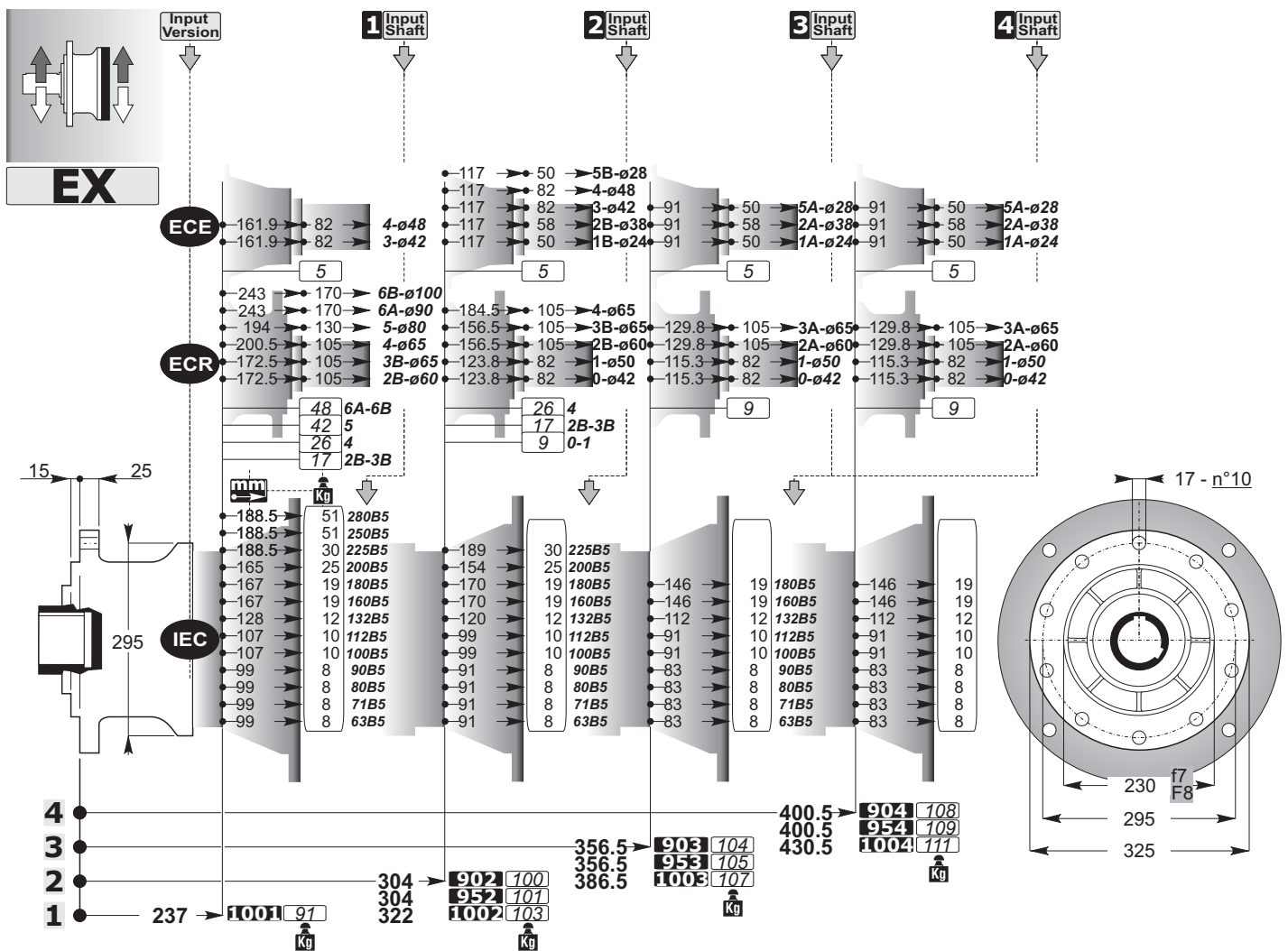
300

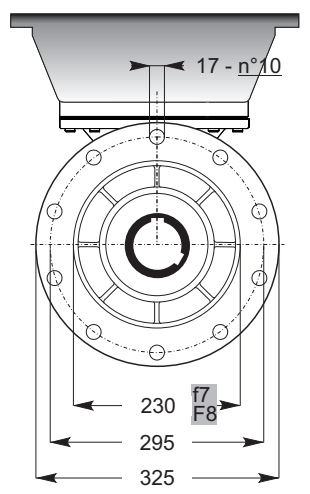
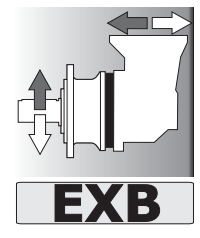
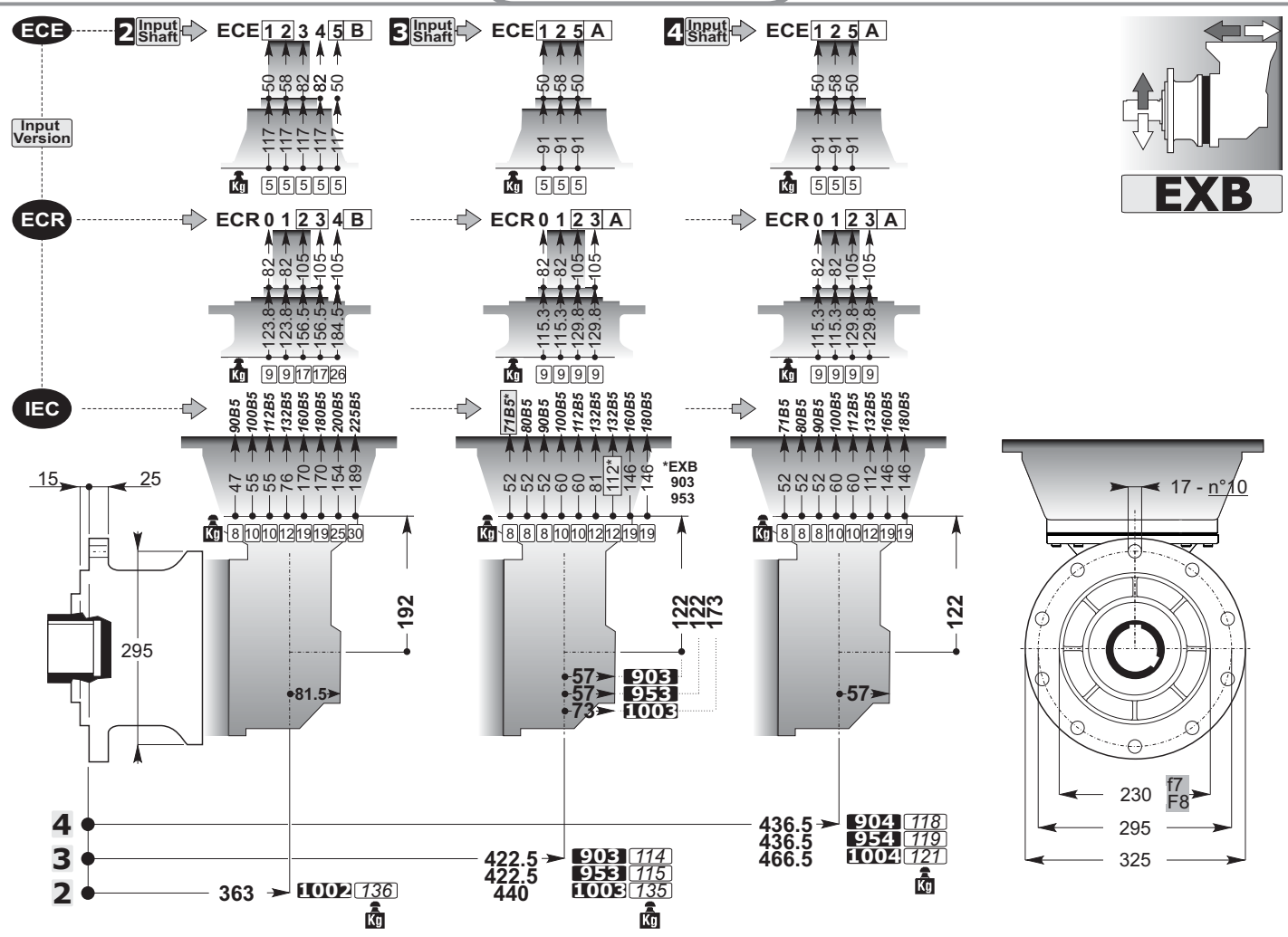
Accessories

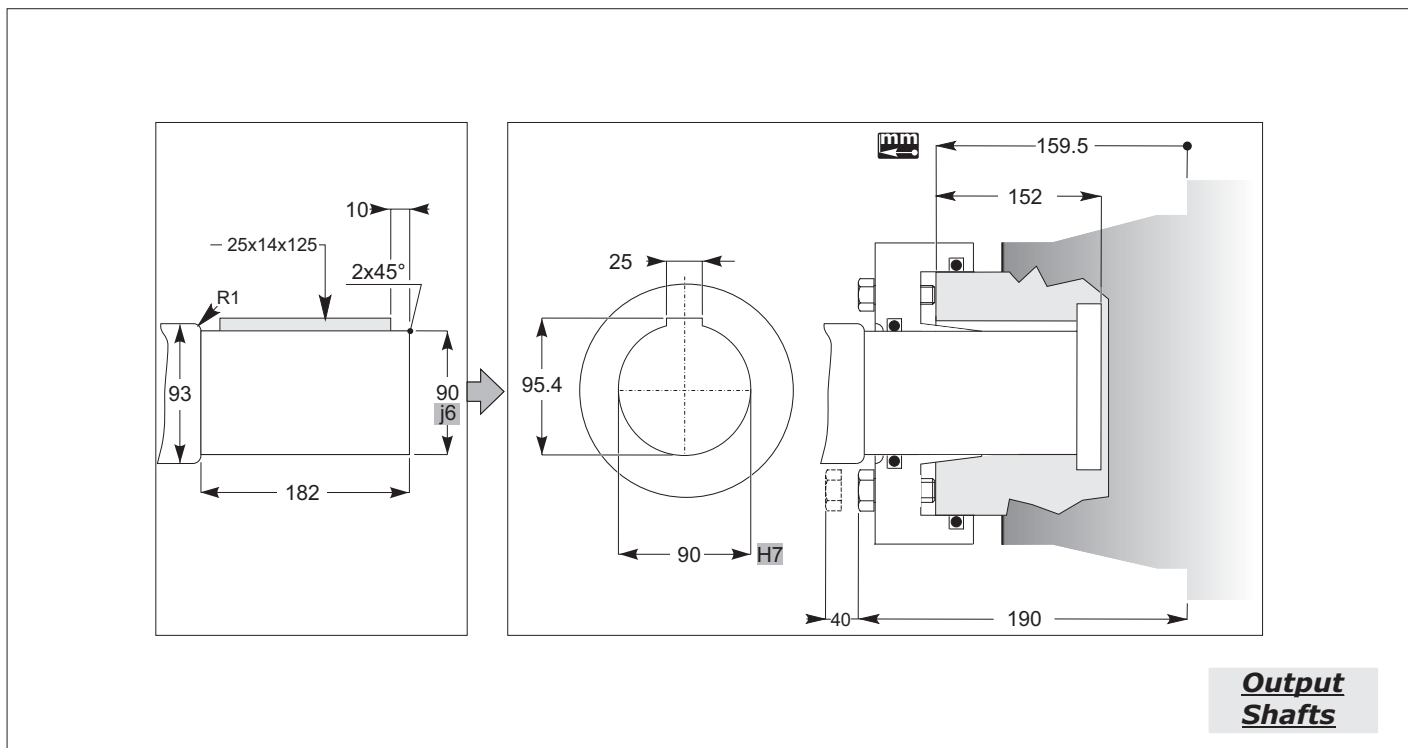
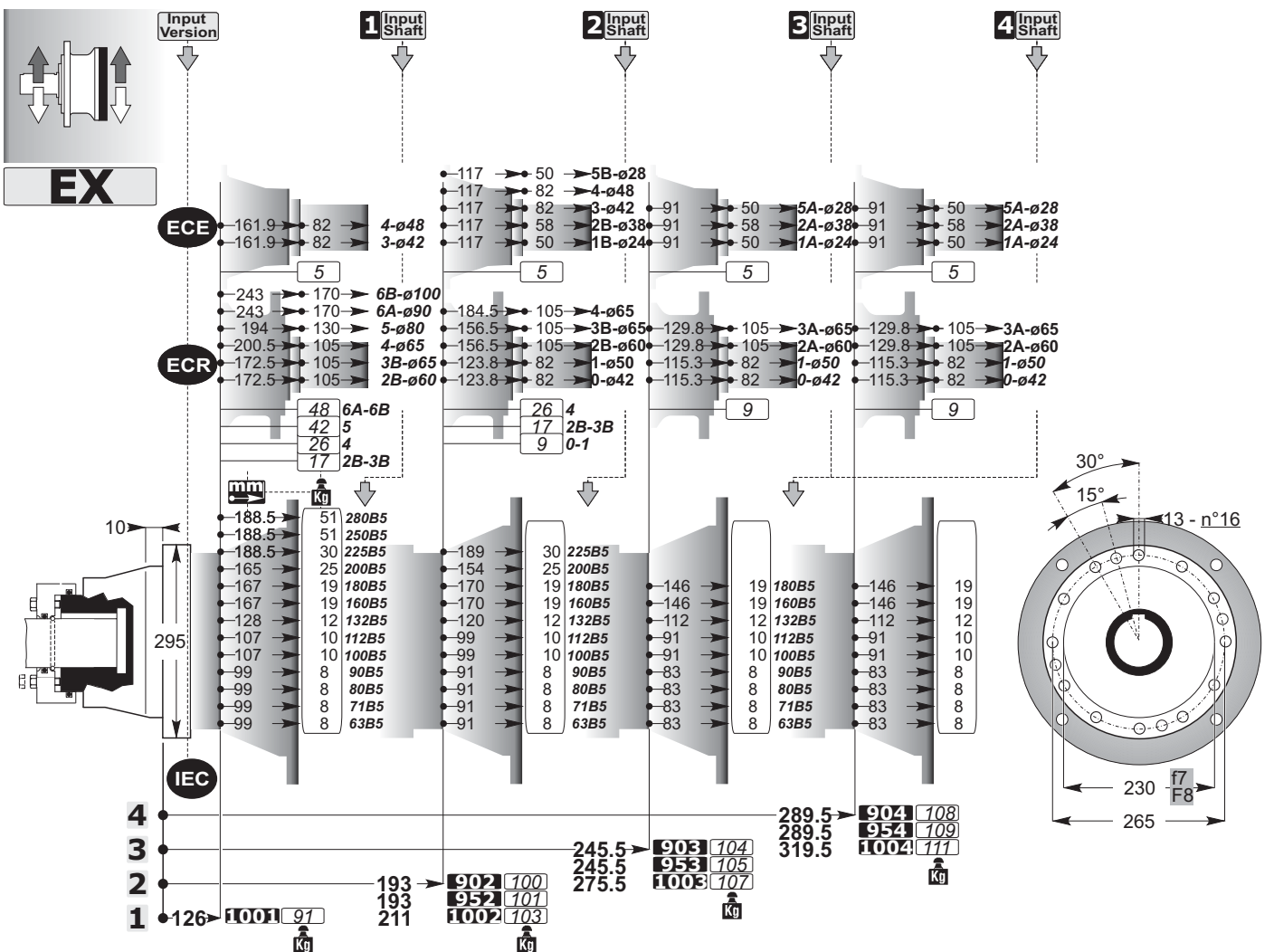


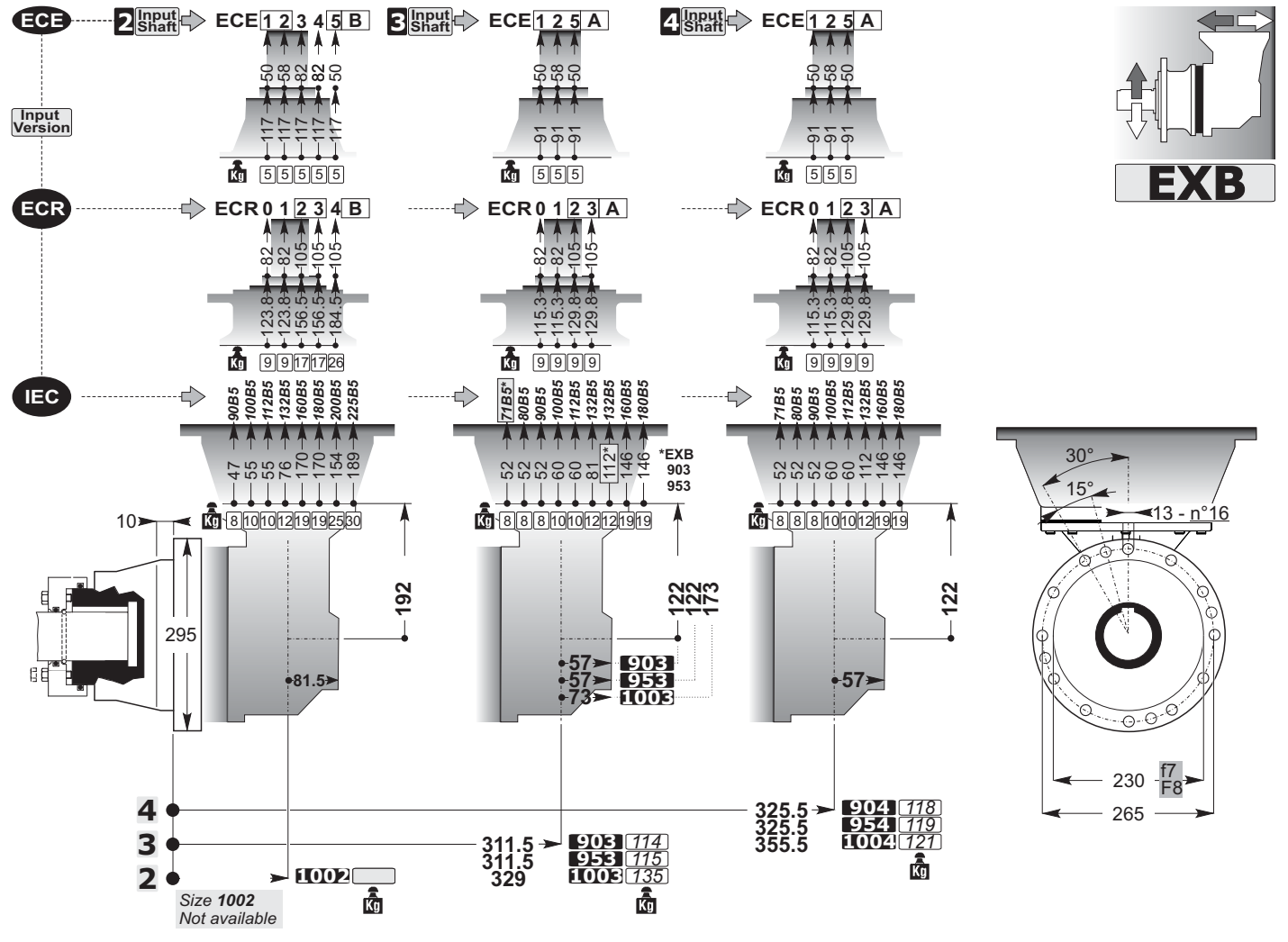


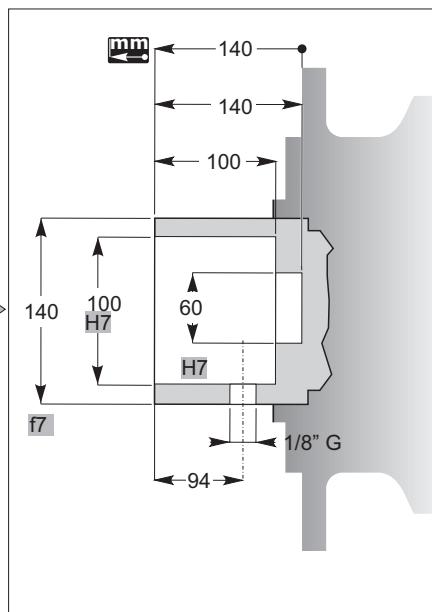
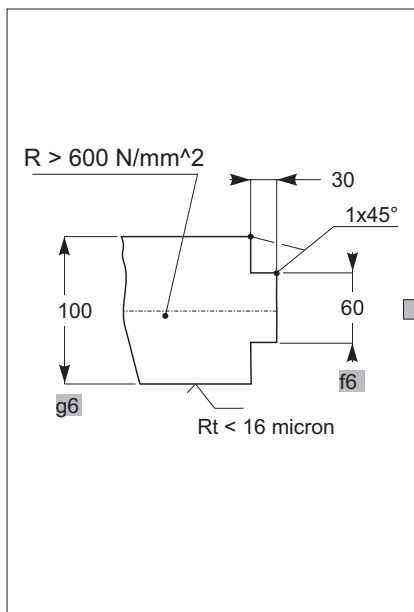
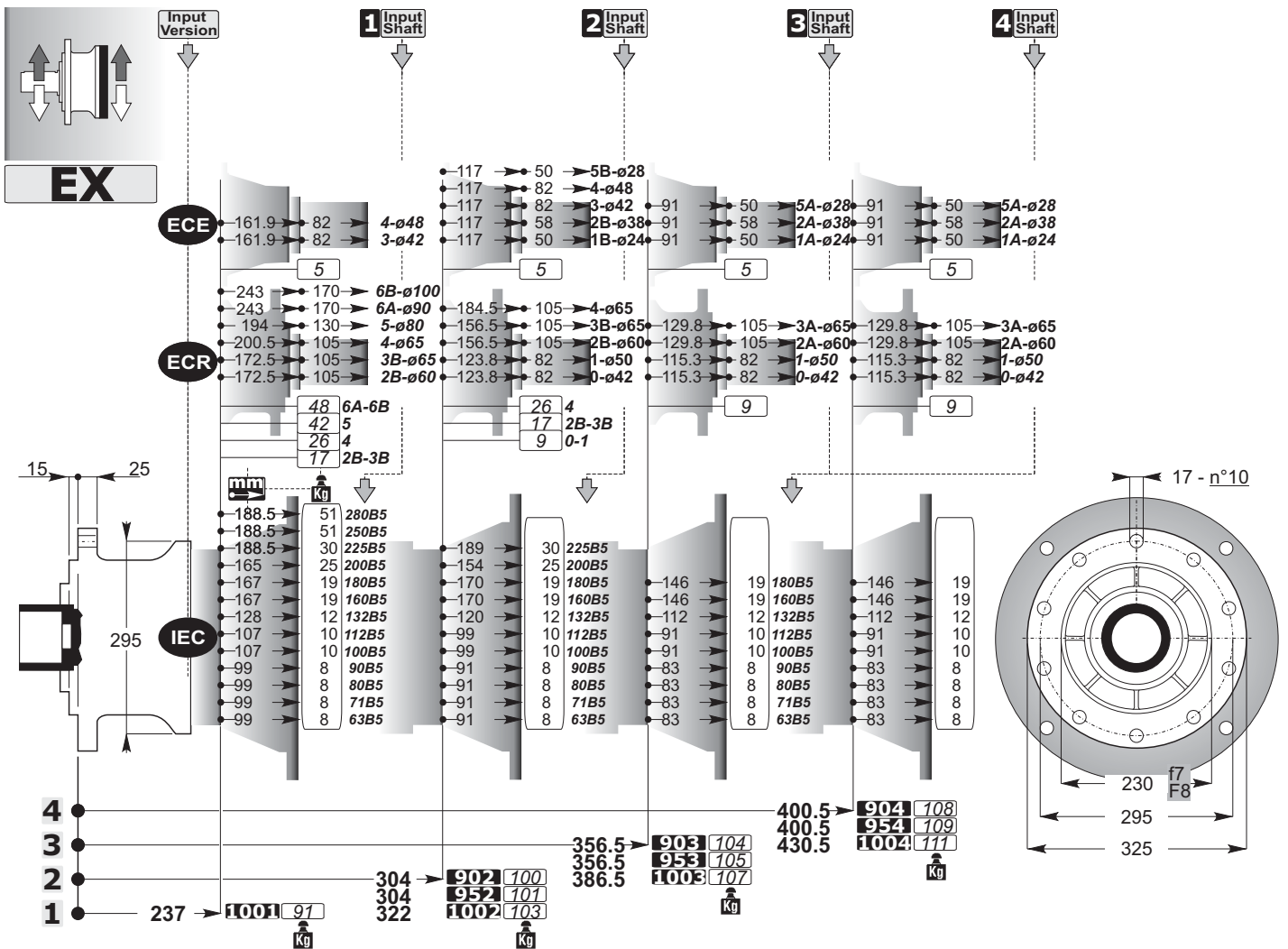
mm
C



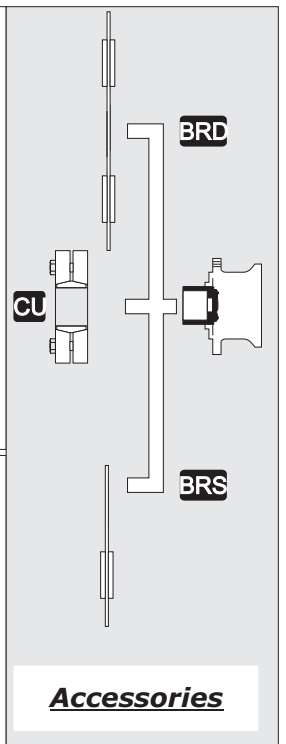
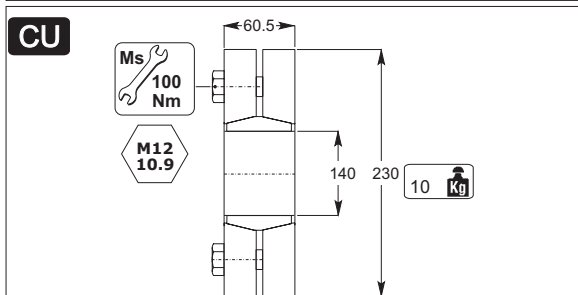
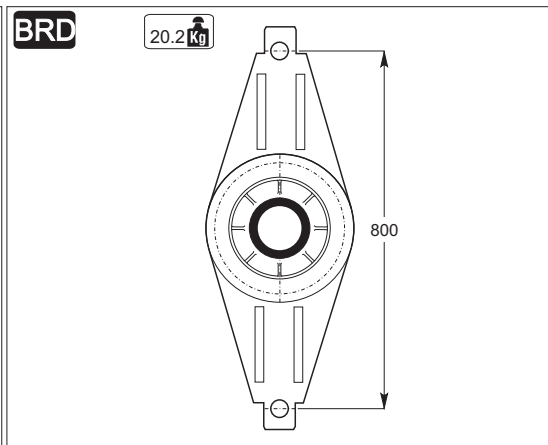
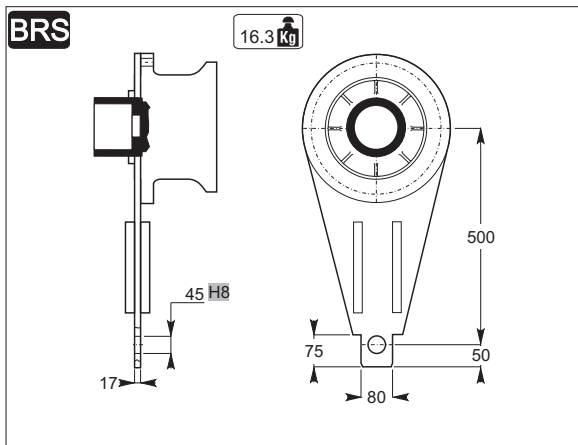
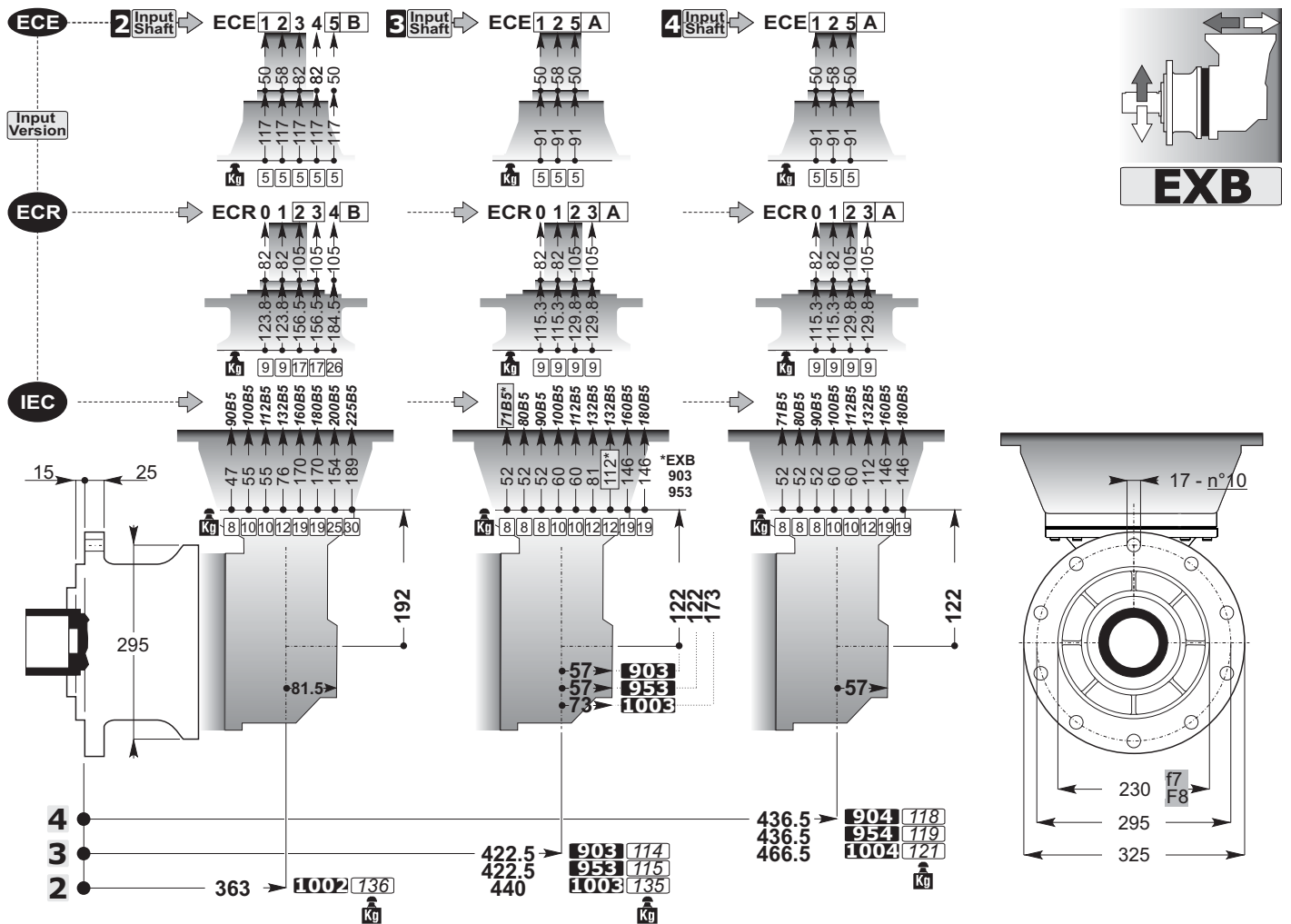




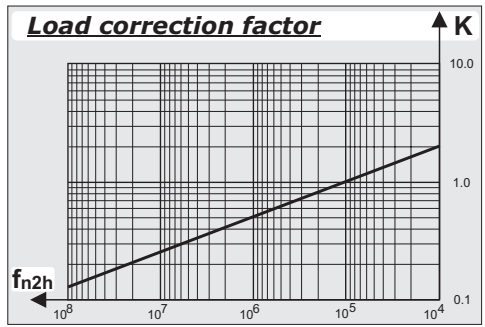
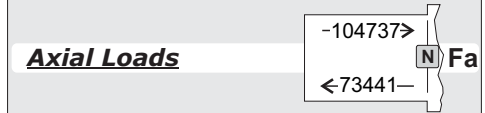
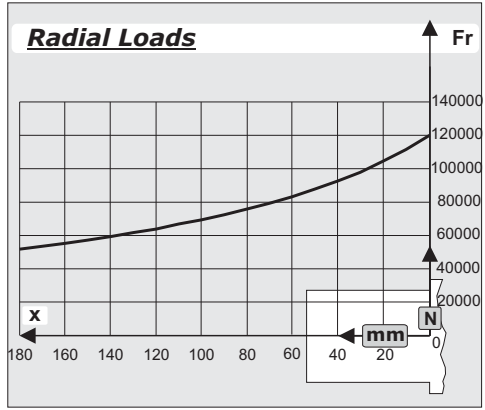
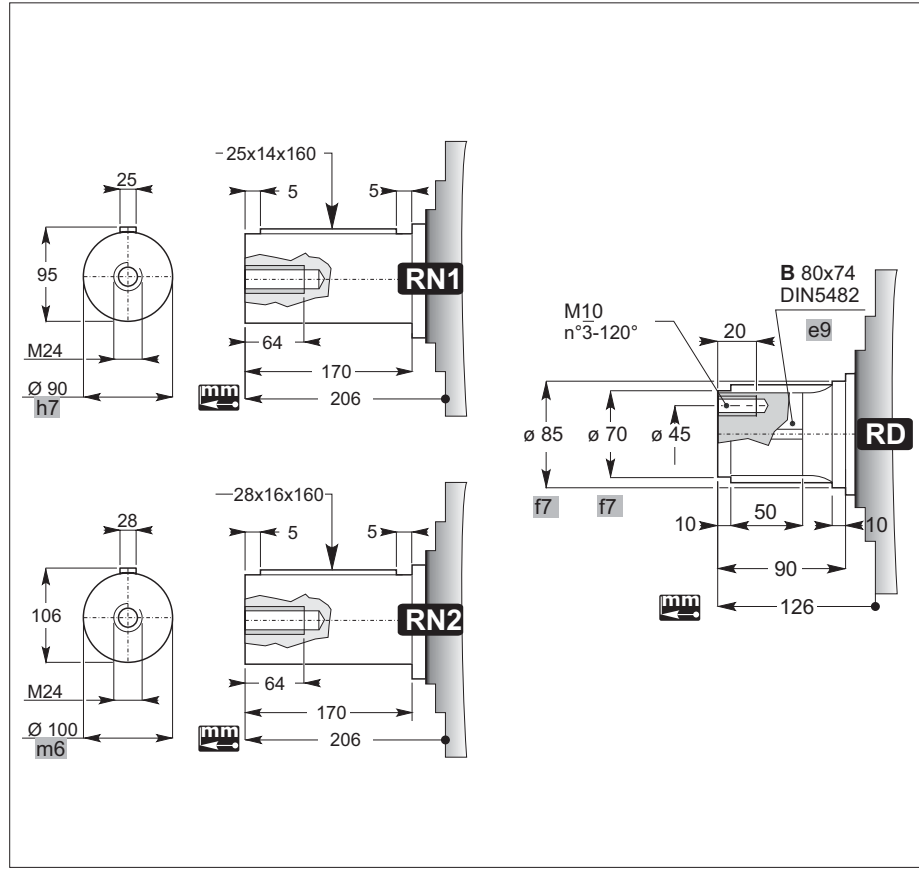
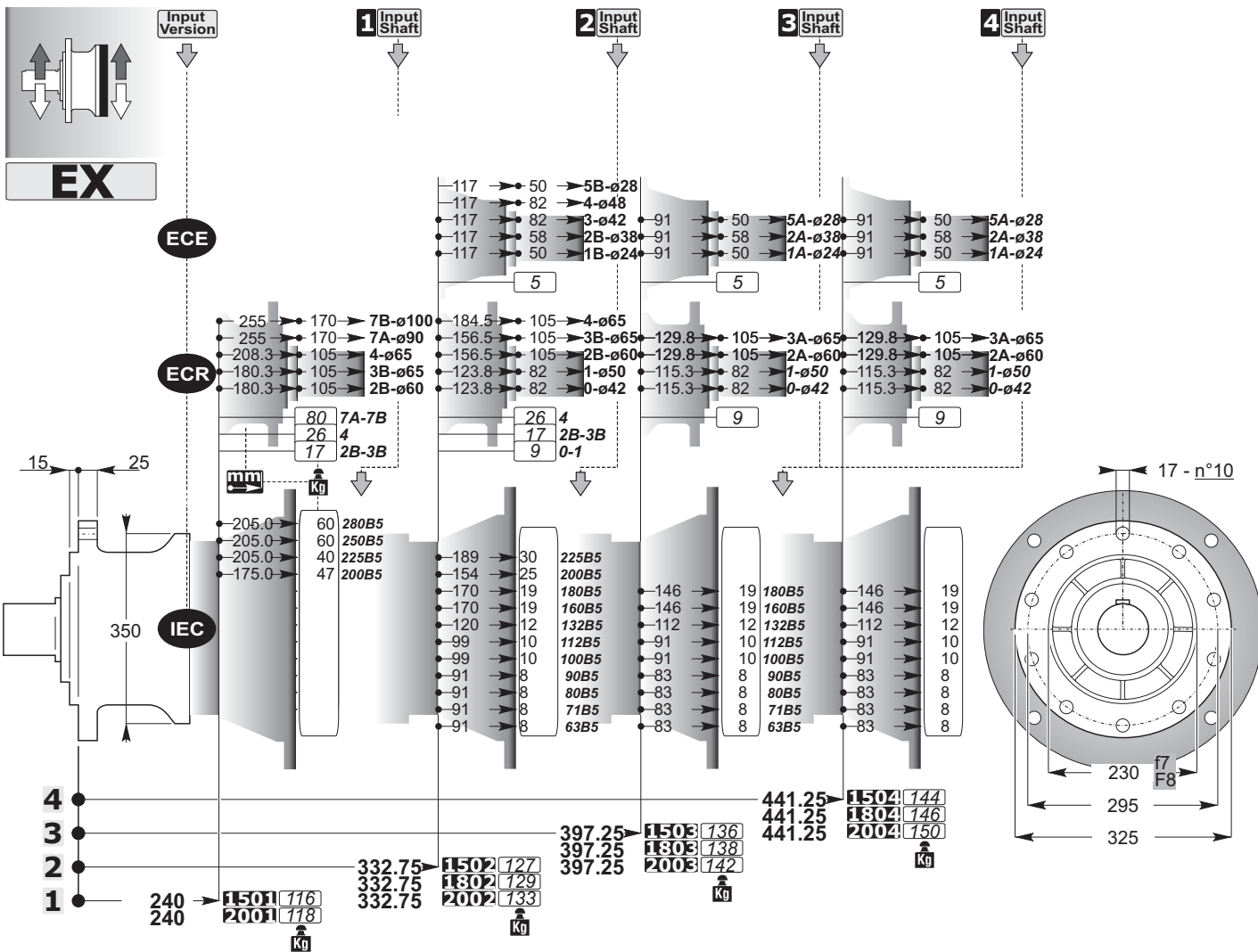


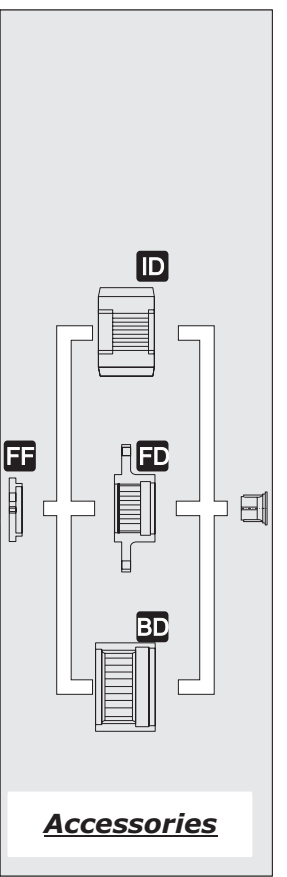
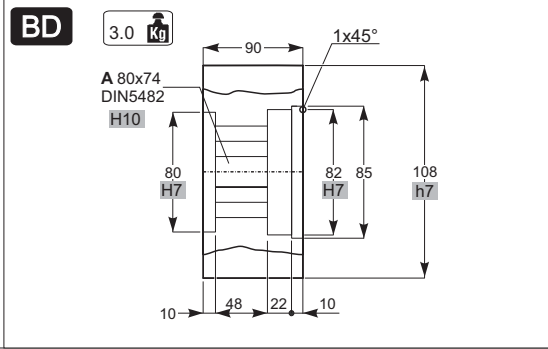
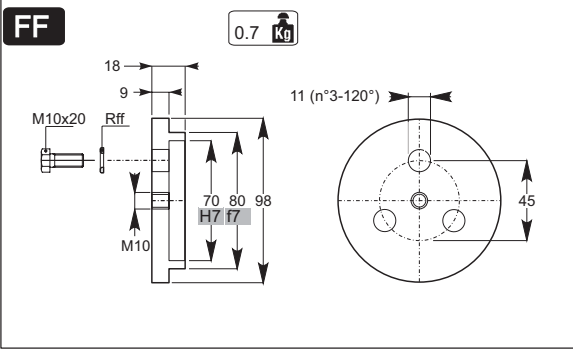
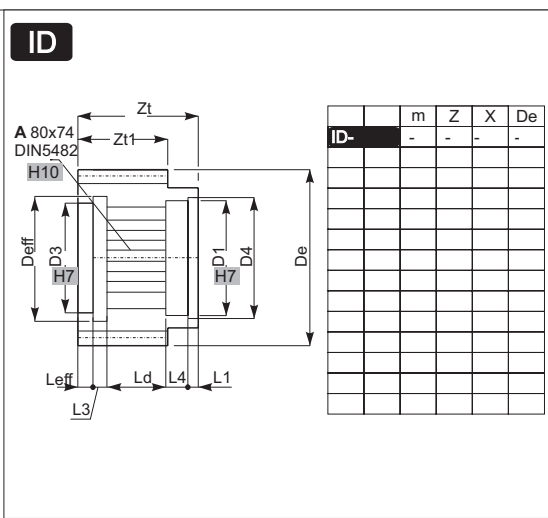
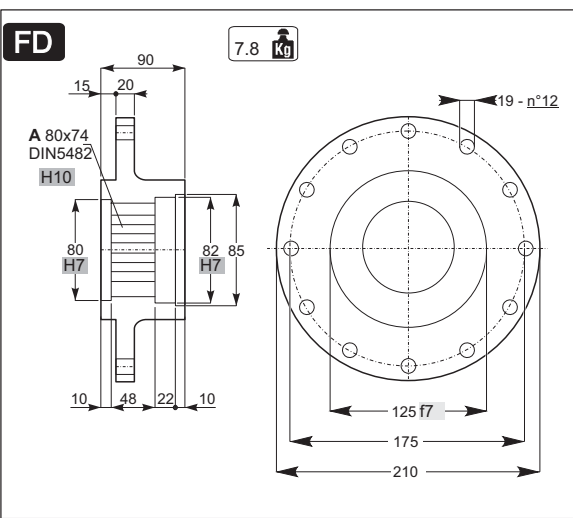
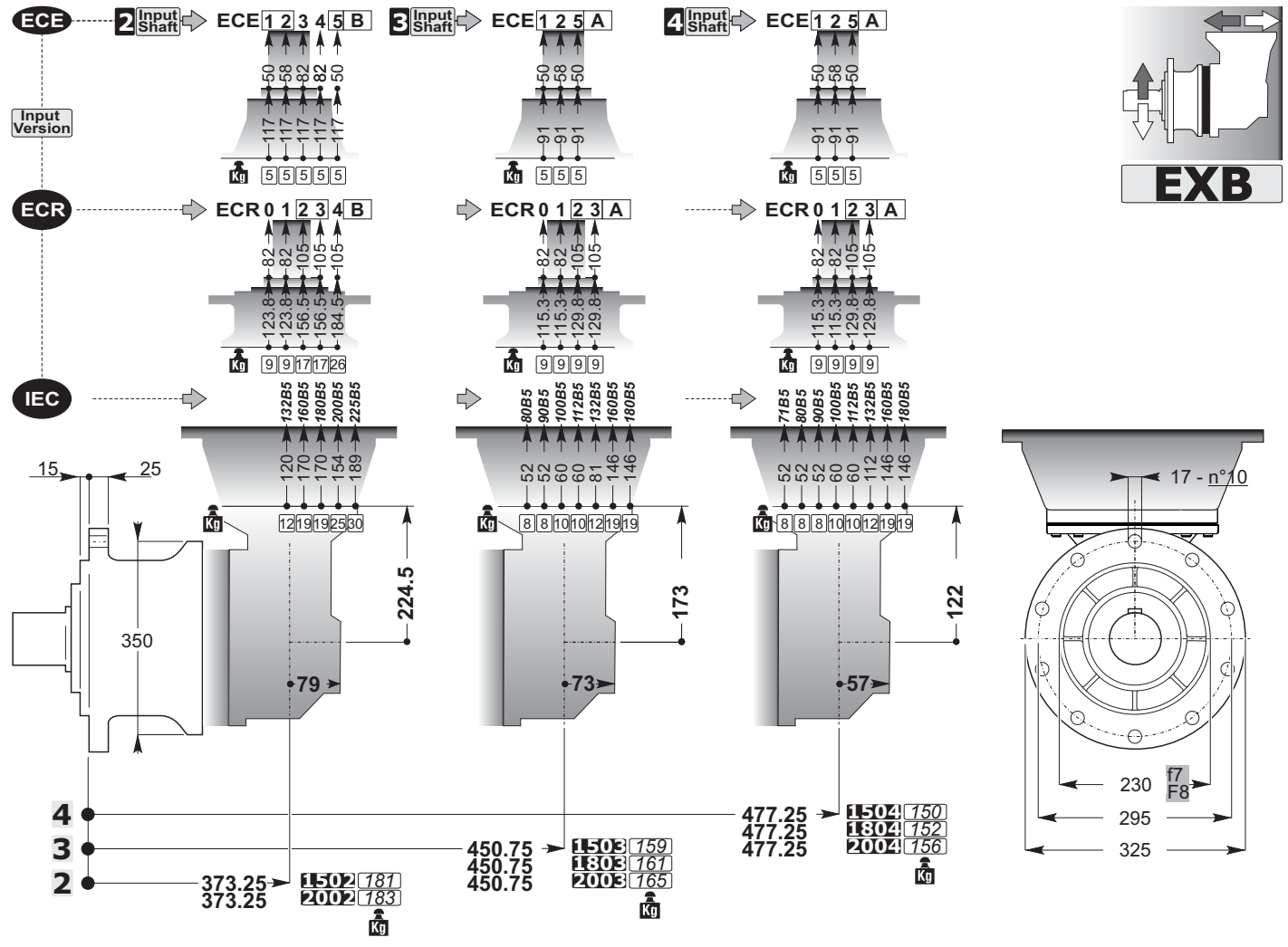


Output Shafts

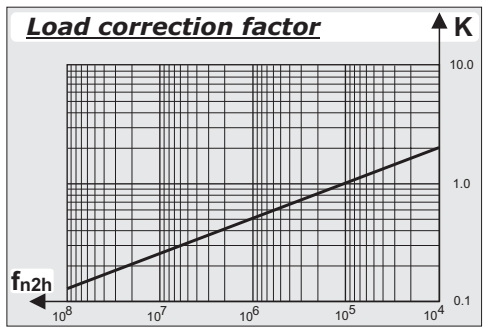
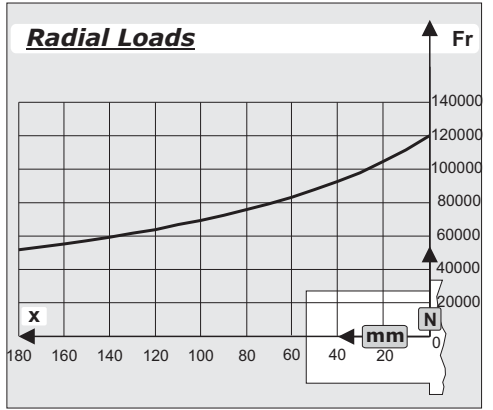
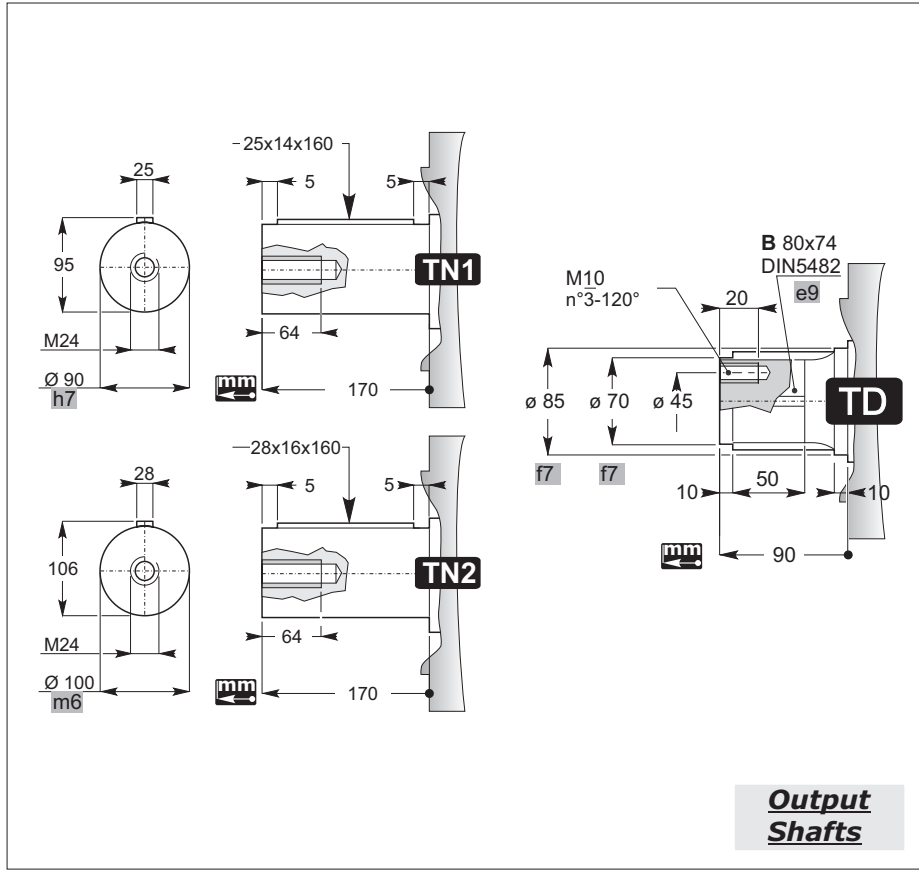
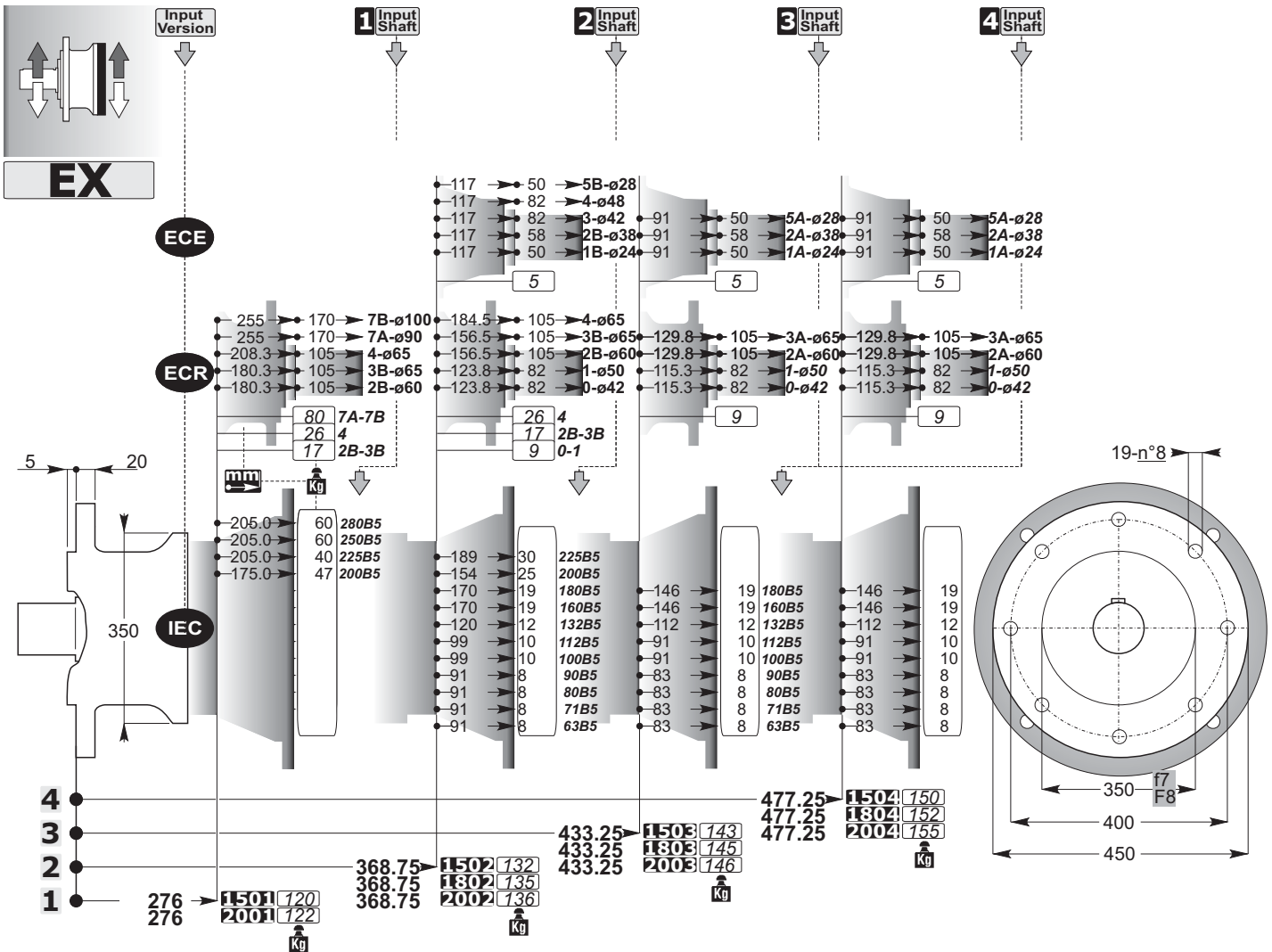


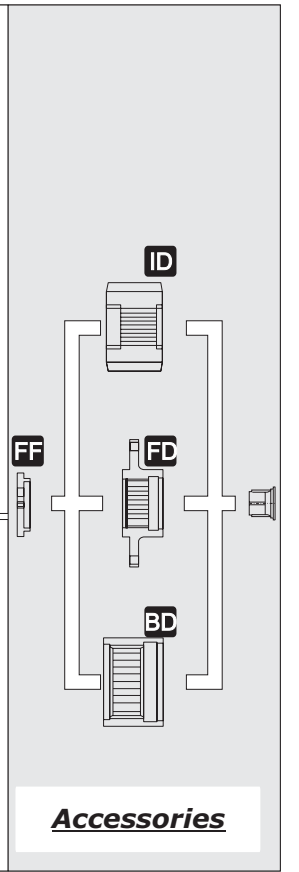
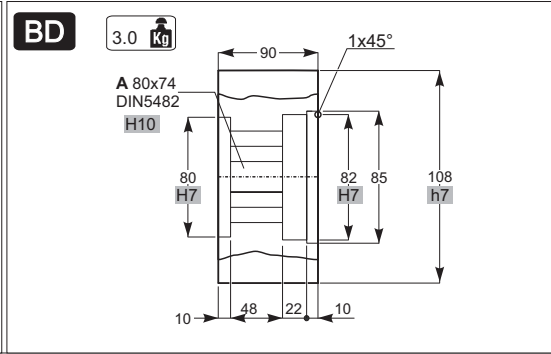
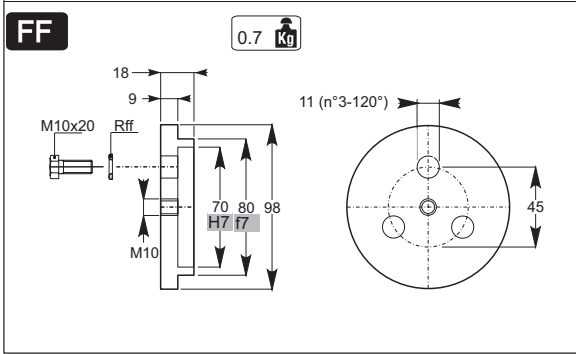
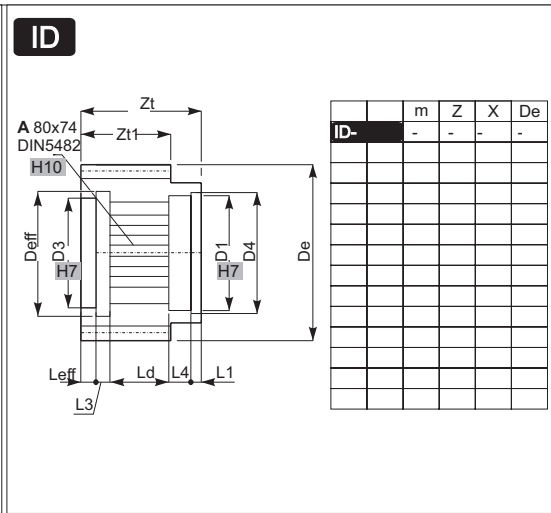
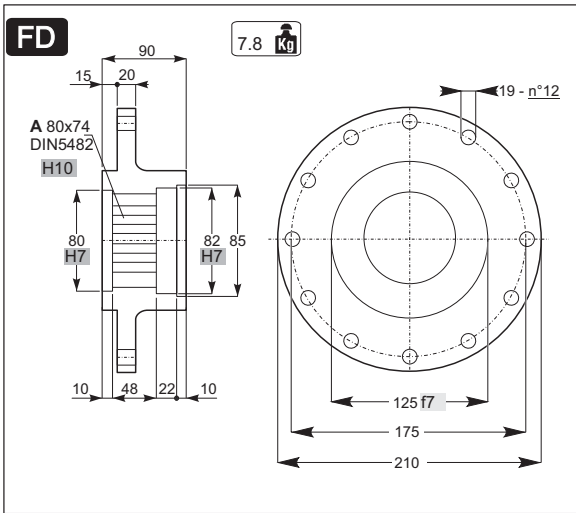
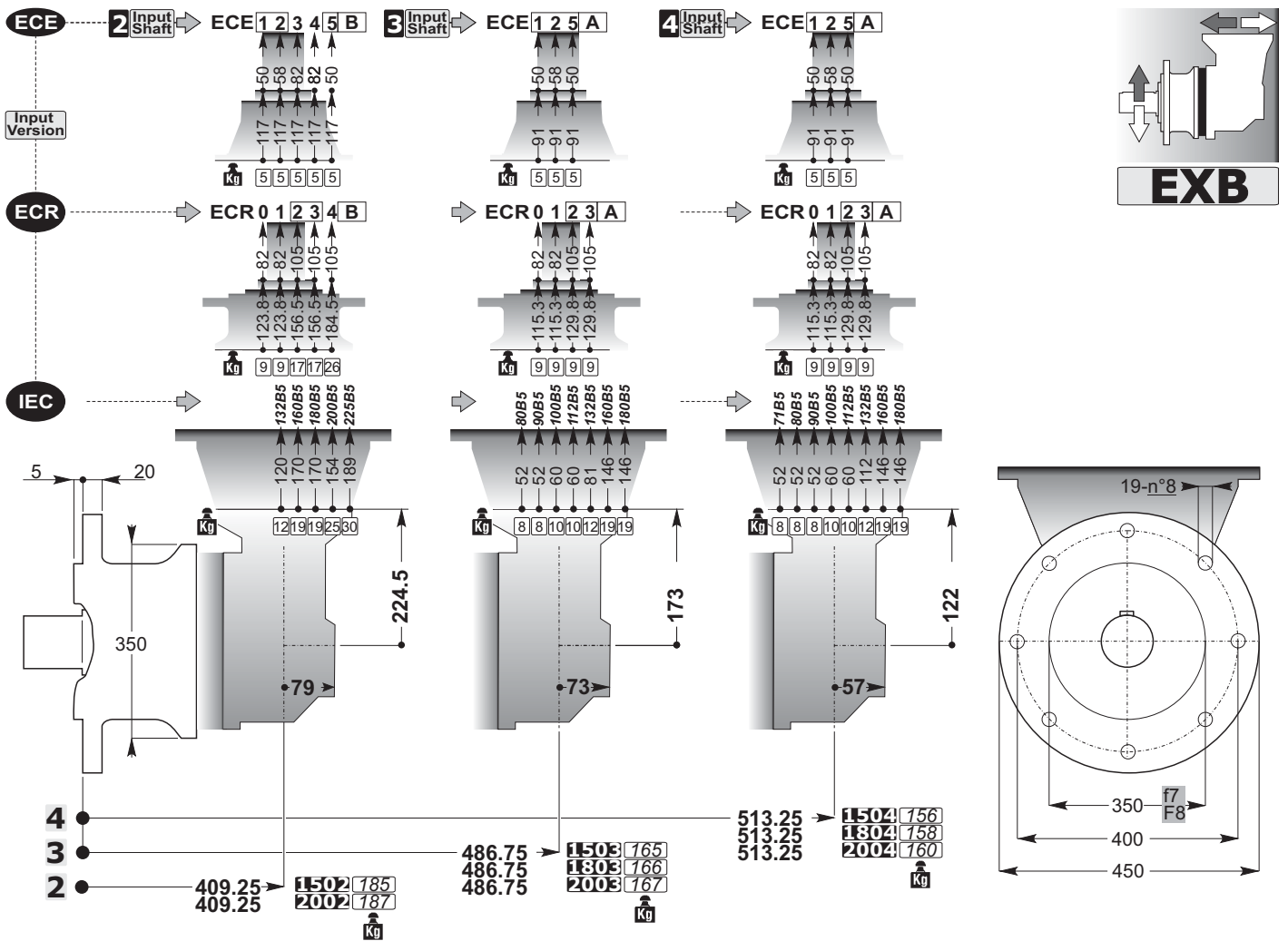
mm
C

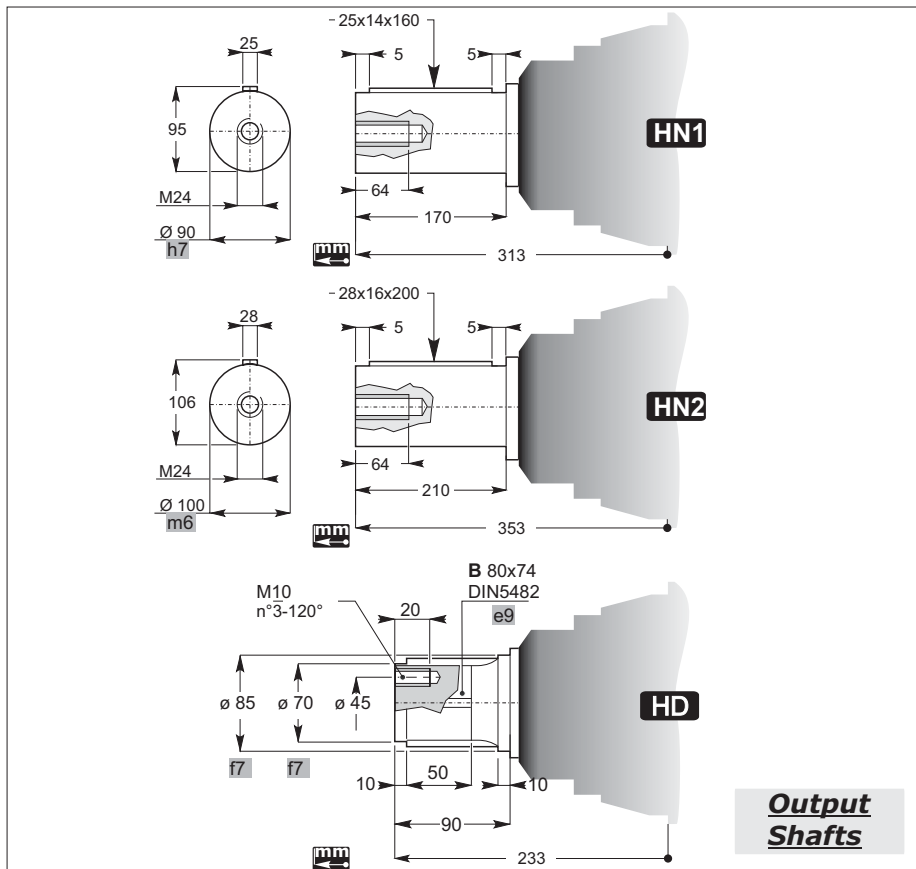
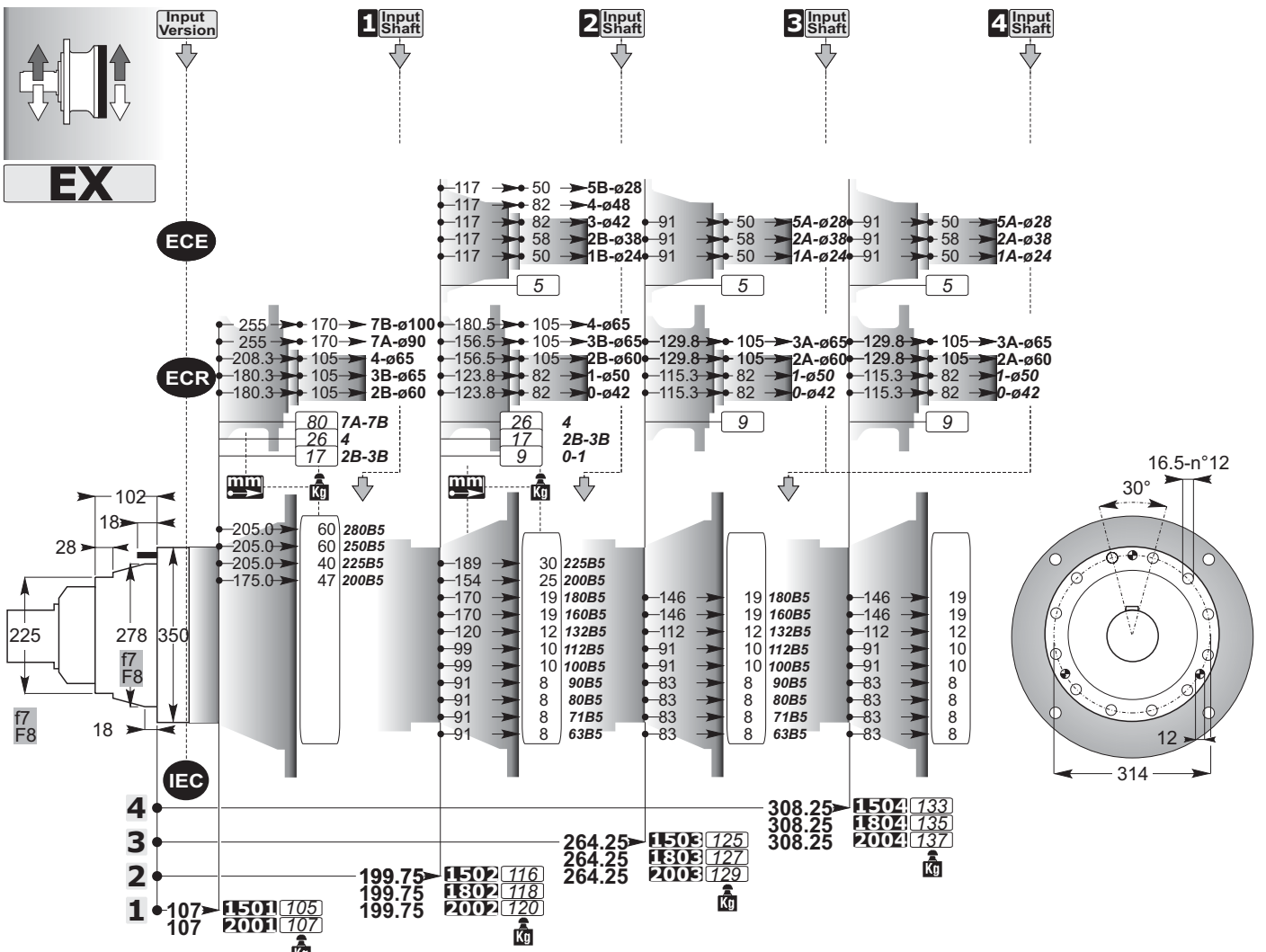




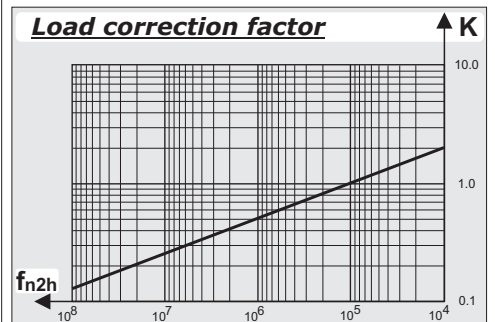
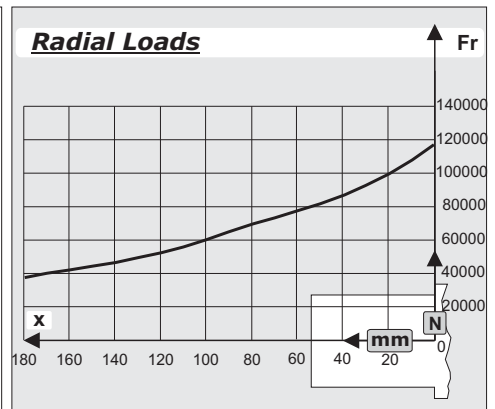
mm
C

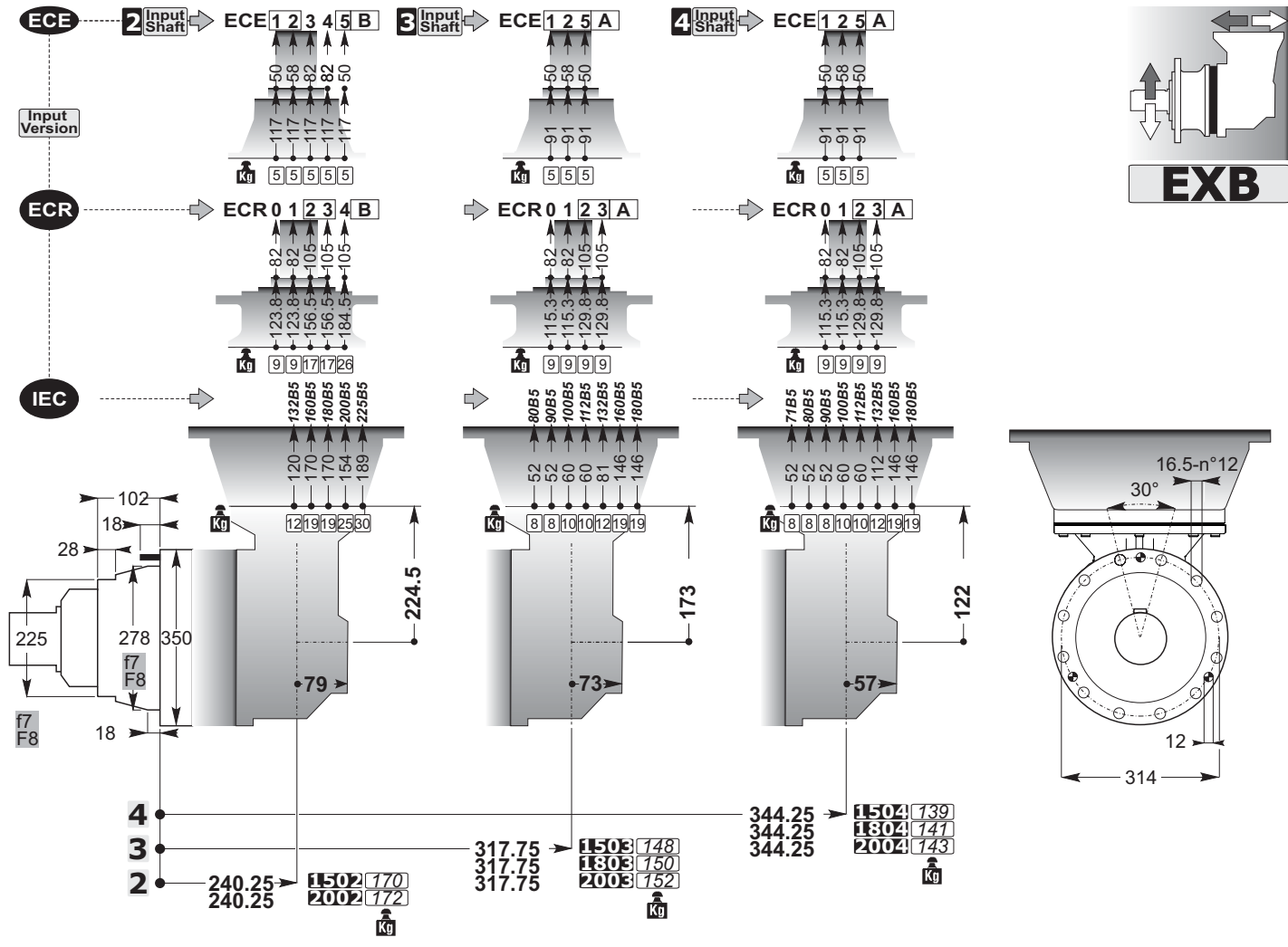




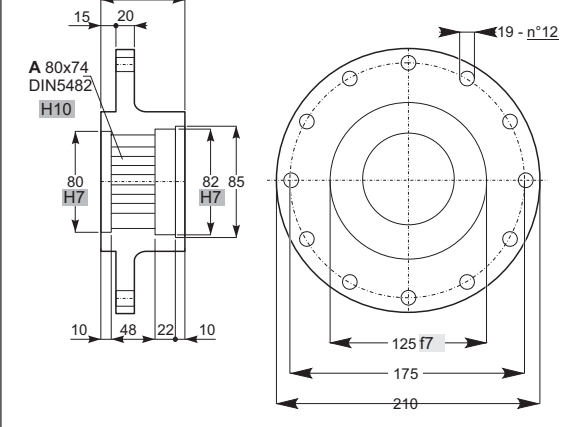


Output Shafts

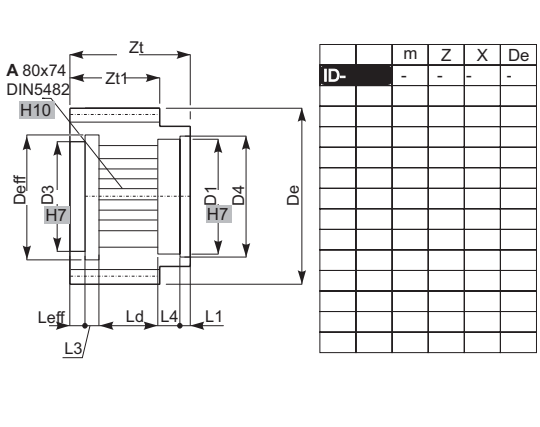




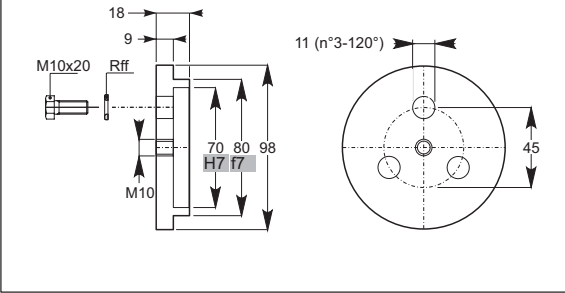
FD



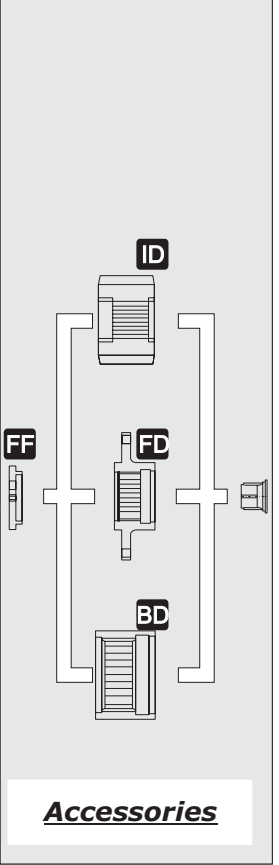
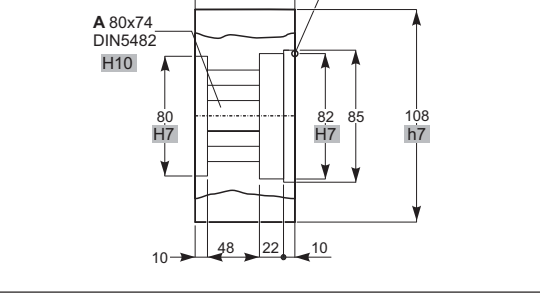
ID



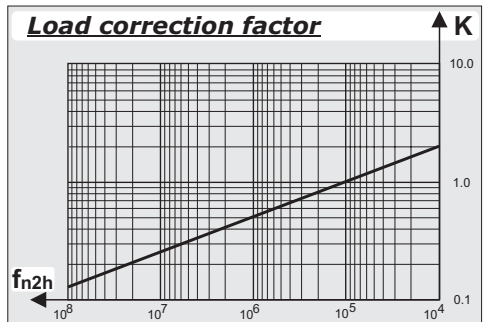
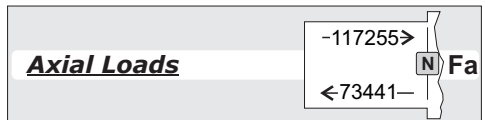
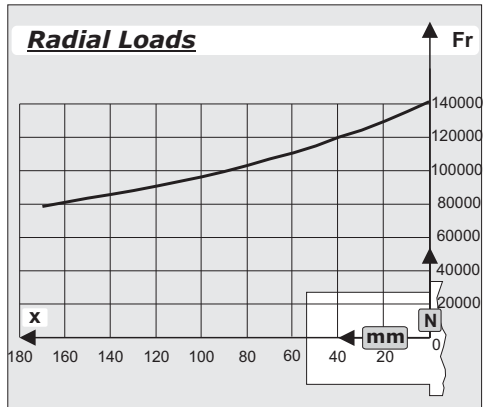
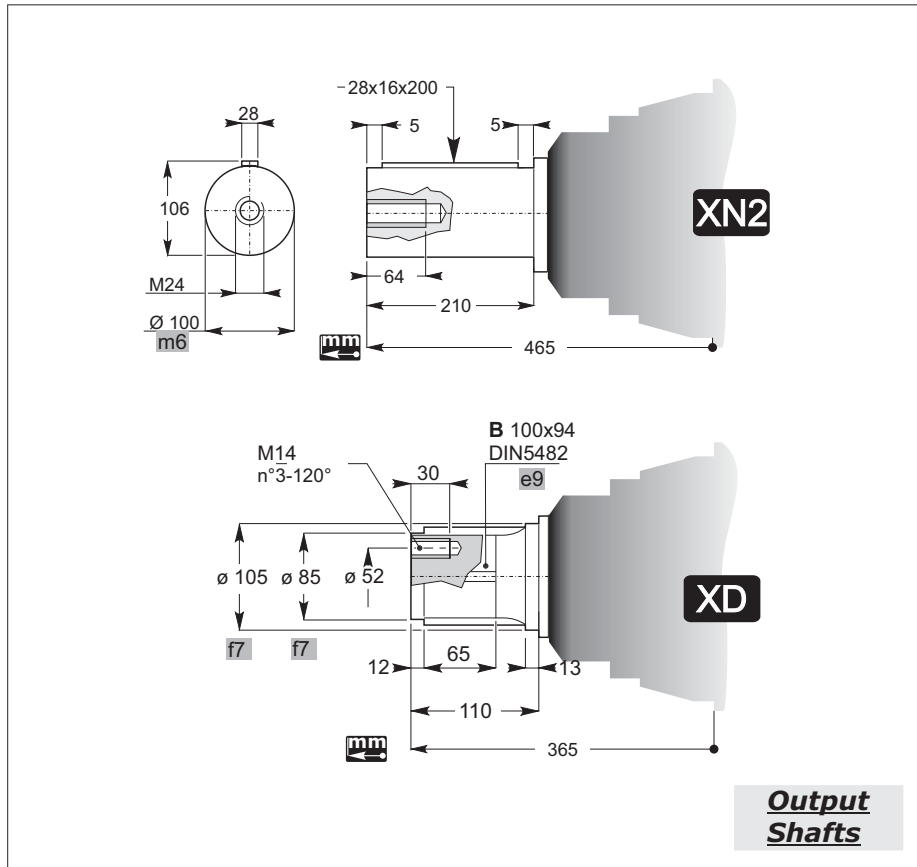
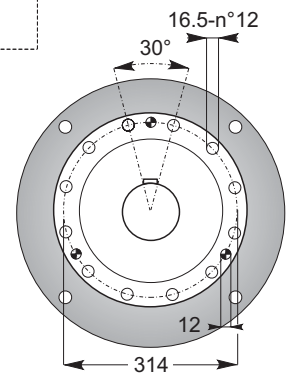
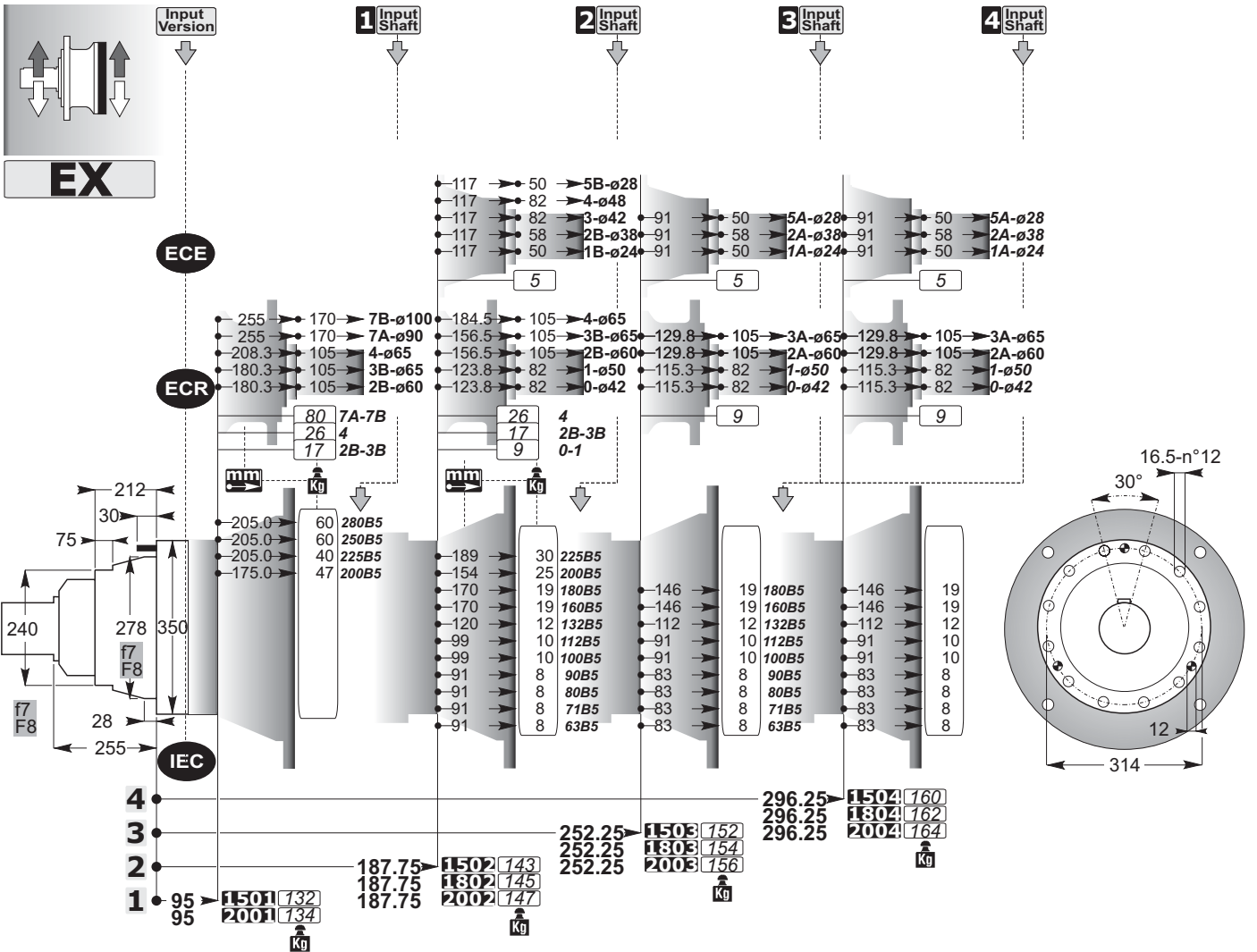
FF

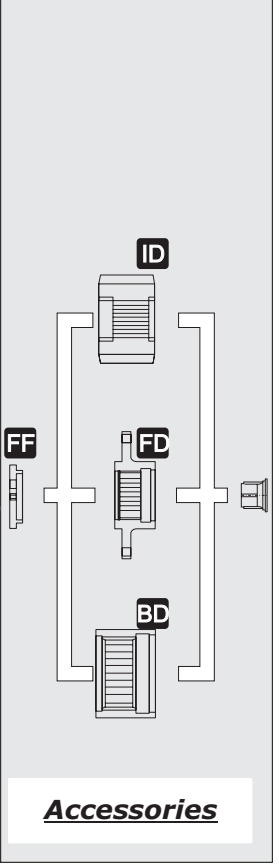
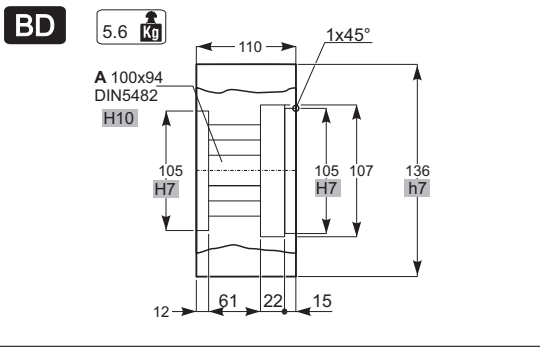
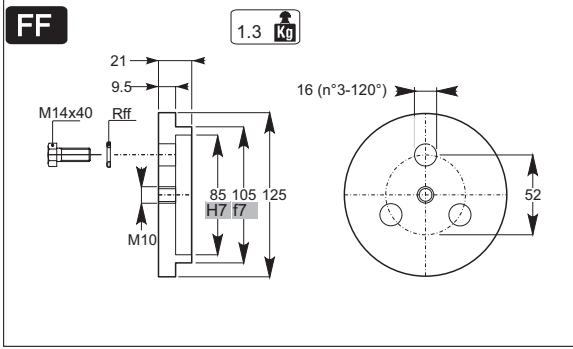
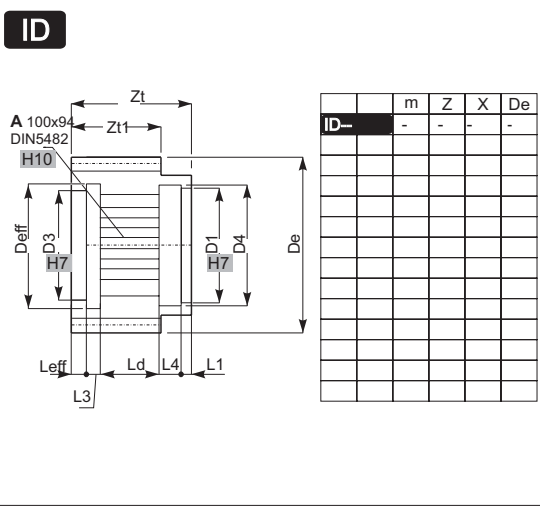
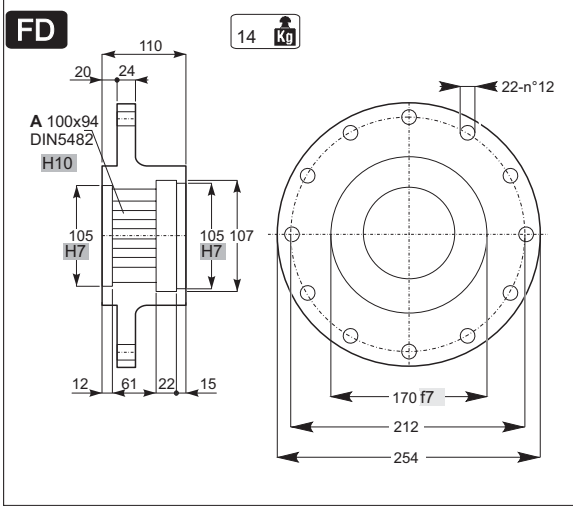
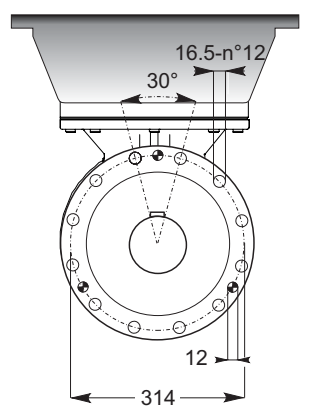
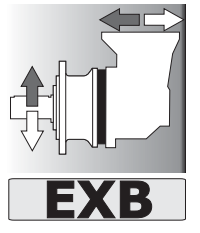
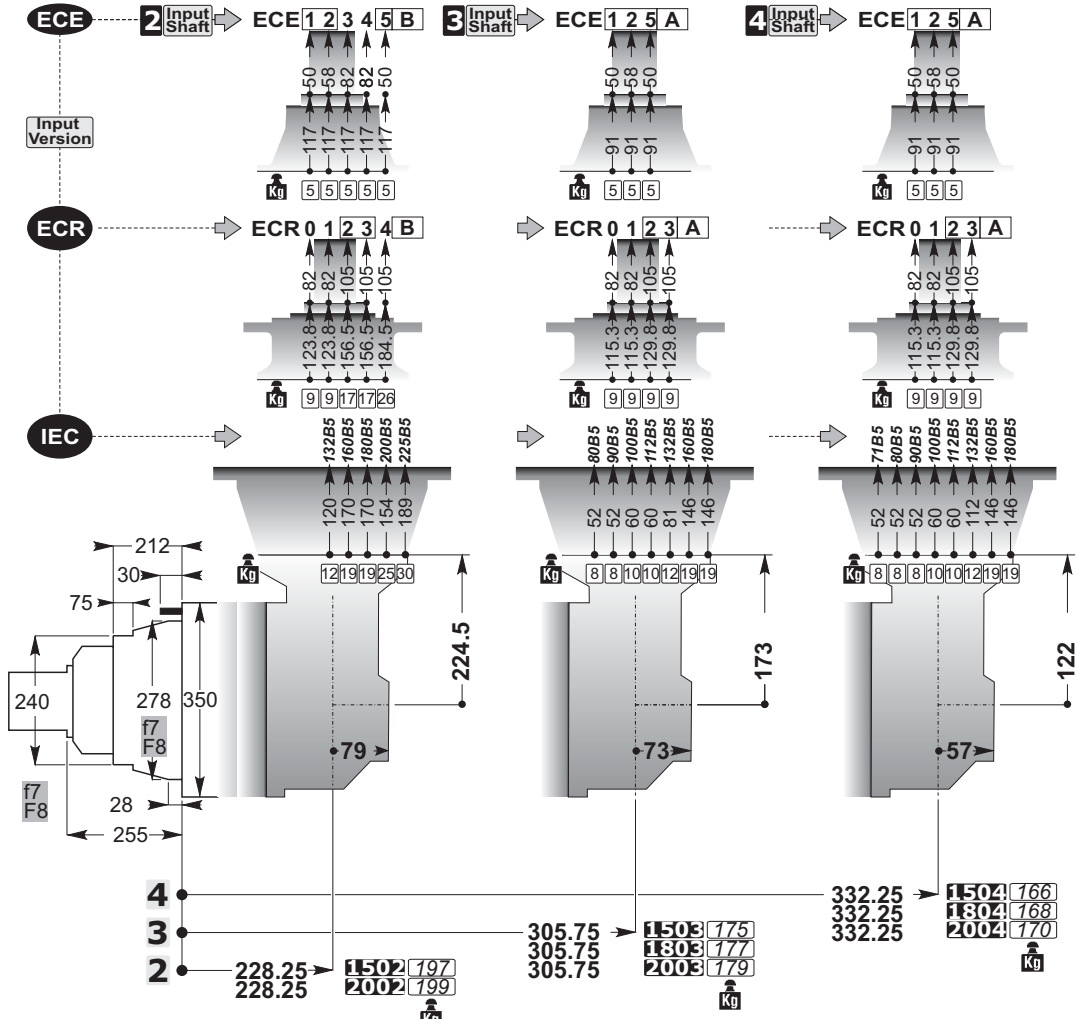


BD

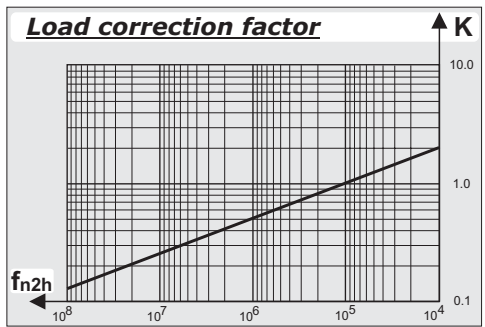
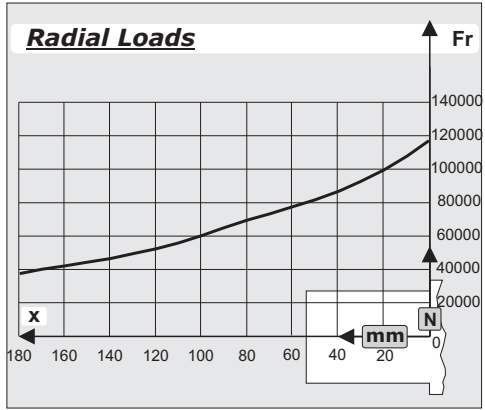
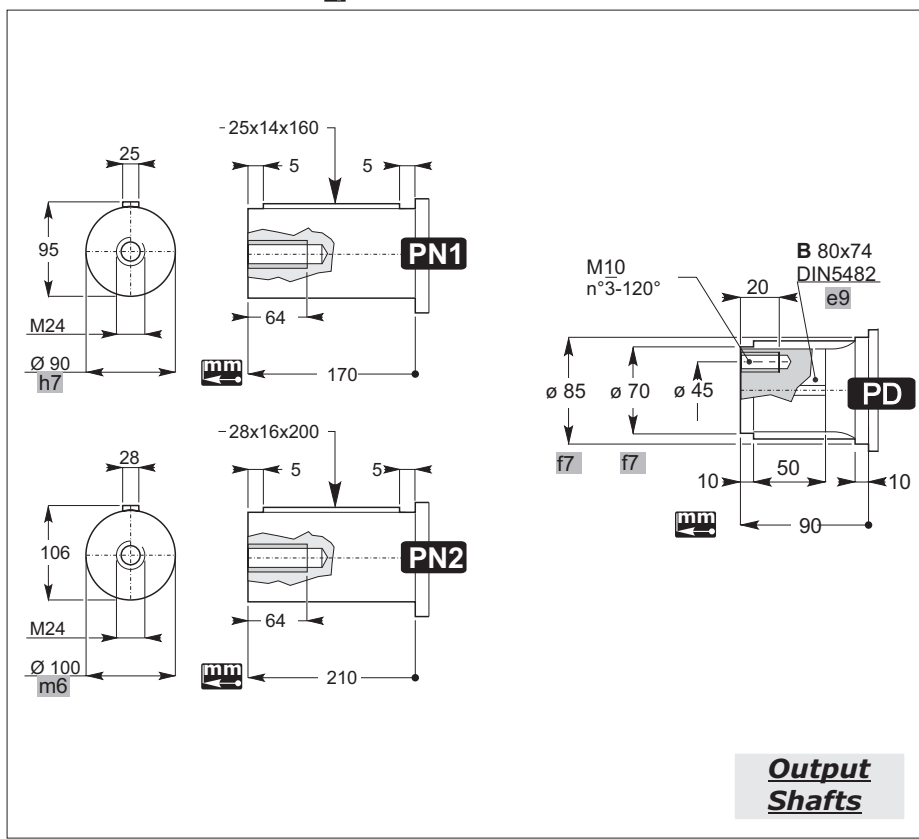
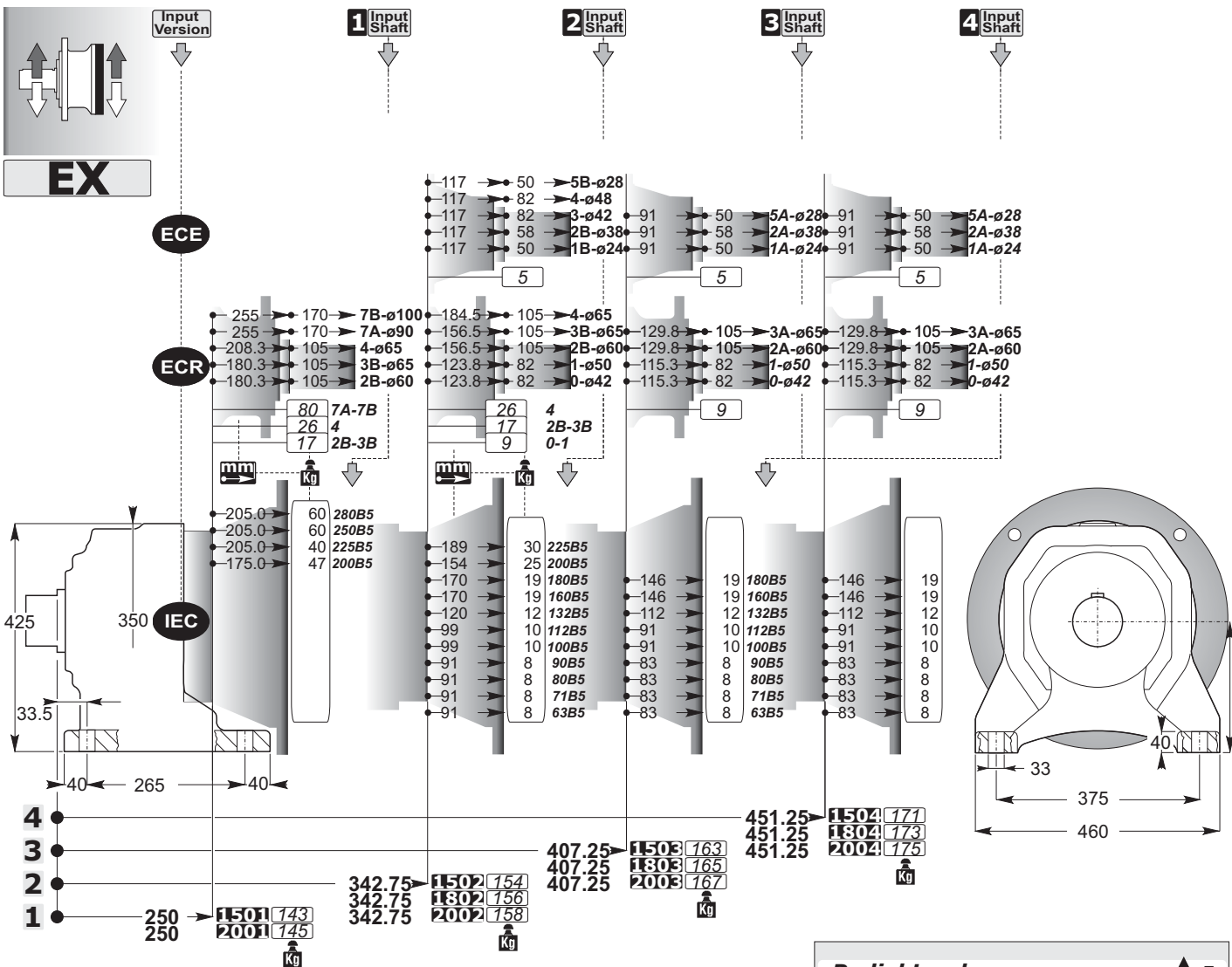


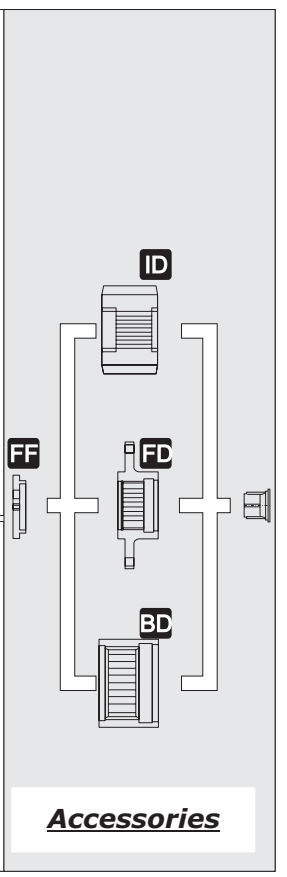
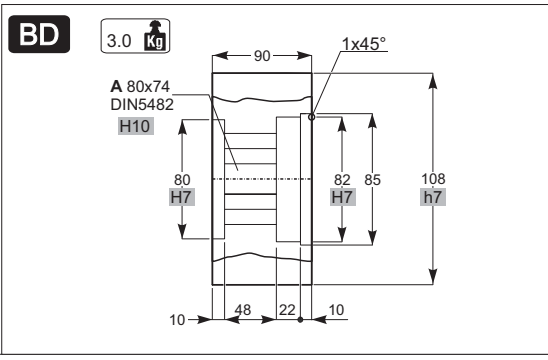
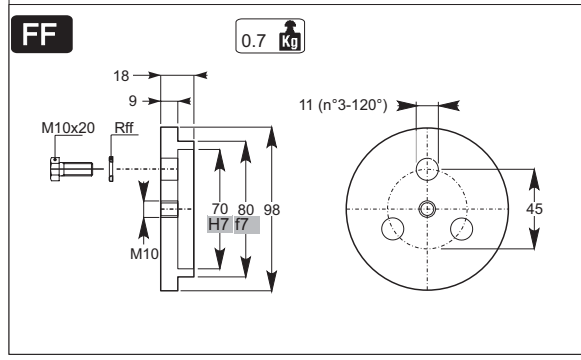
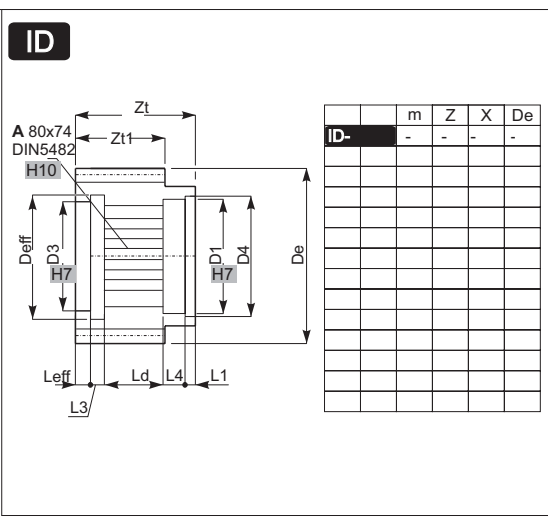
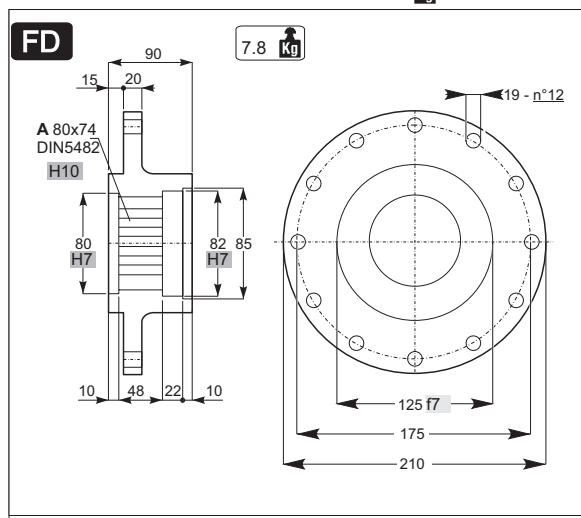
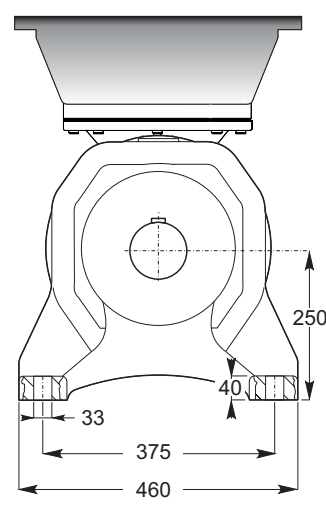
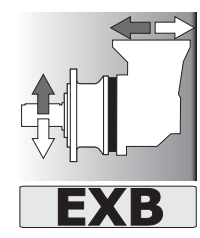
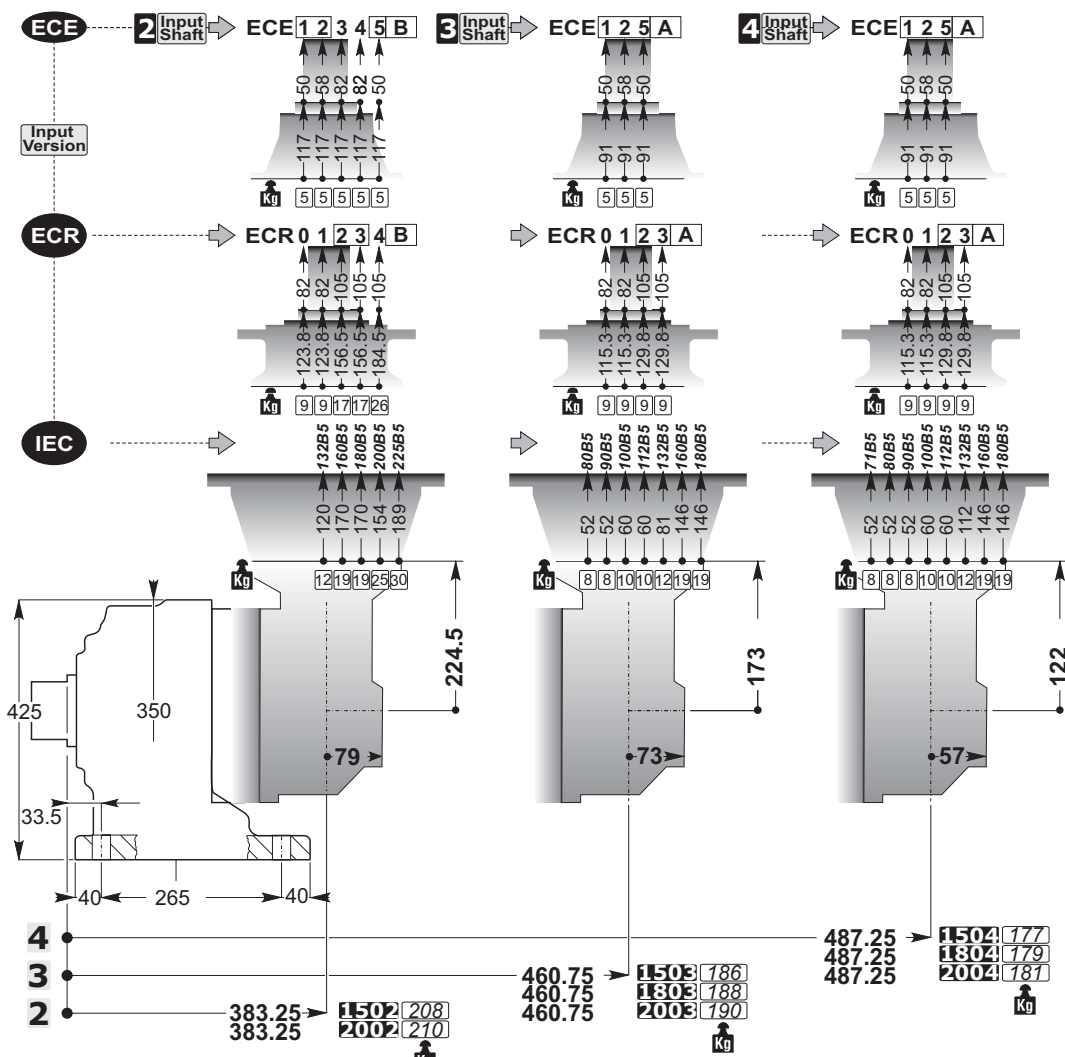
Accessories

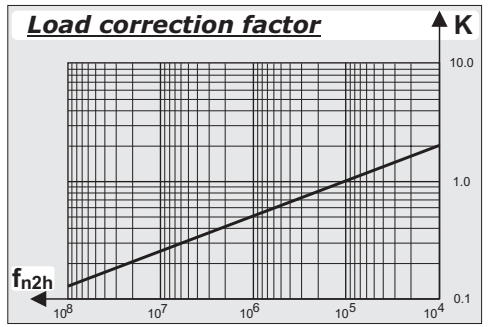
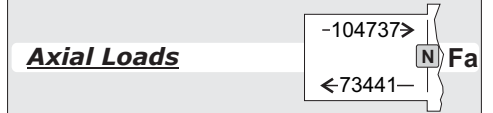
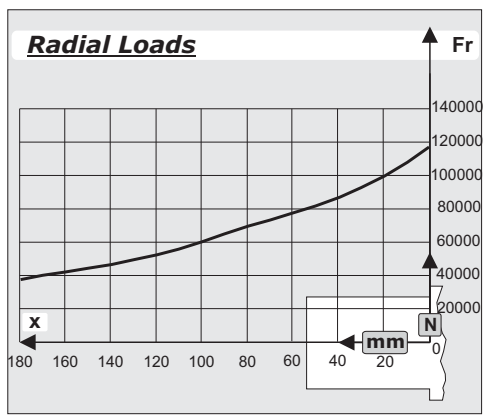
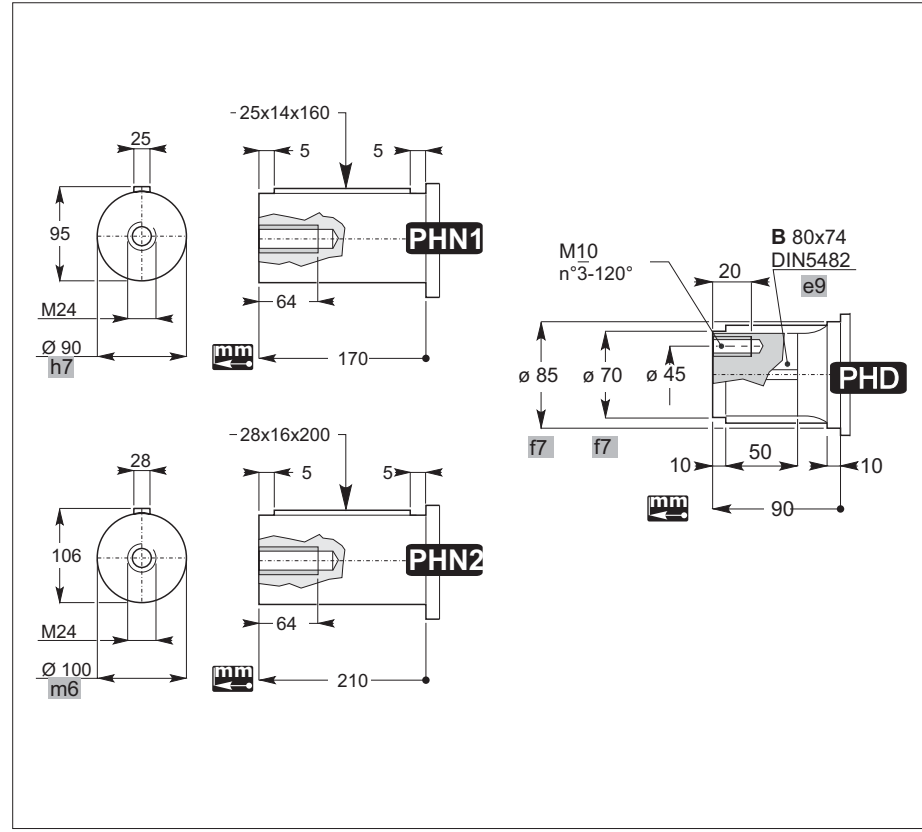
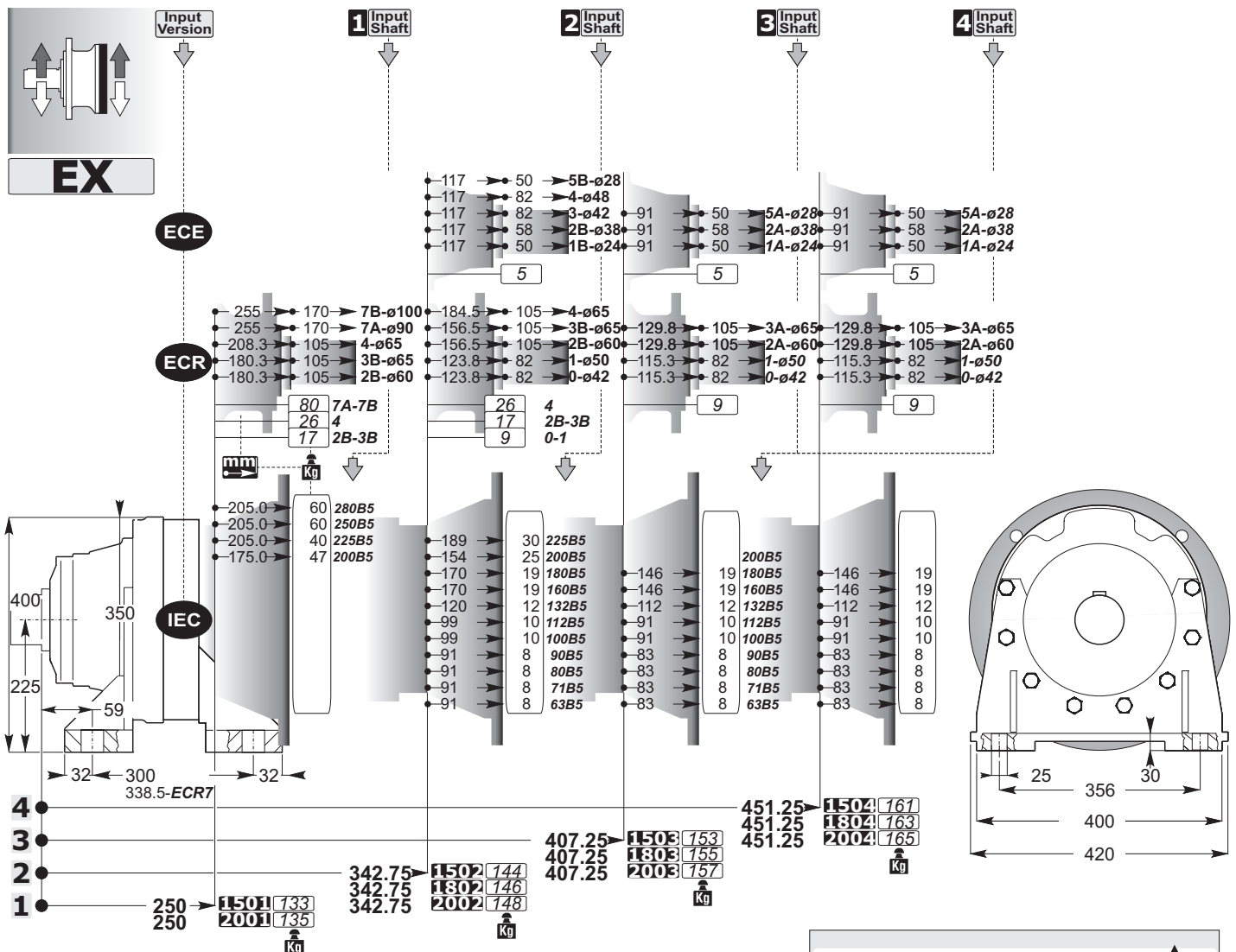




mm
C







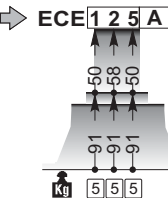
ECE

Input Version

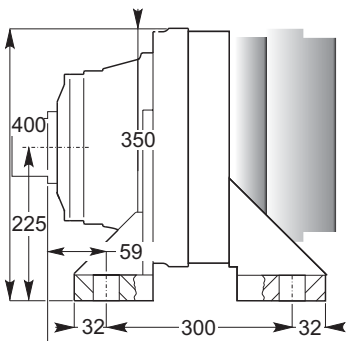
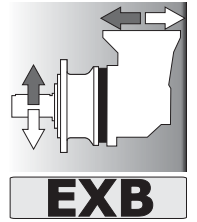
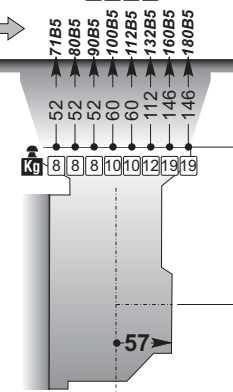
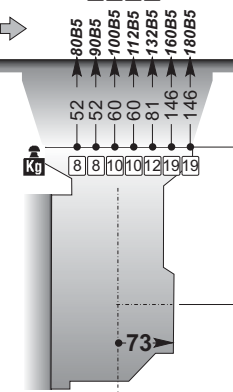
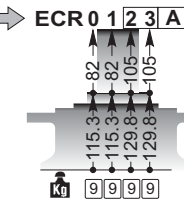
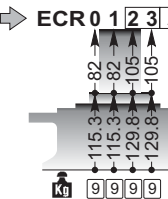
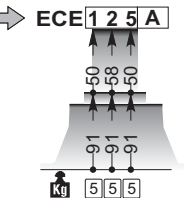
ECR

IEC

3 Input Shaft



4 Input Shaft



4

3

2

Size 1502-2002
Not available
PHD-PHN-Version

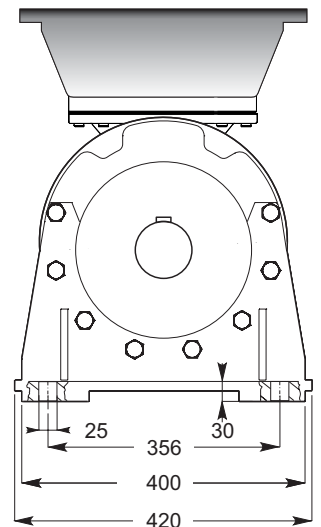
1502	176
2002	178

460.75 1503 176
460.75 1803 178
460.75 2003 180

kg

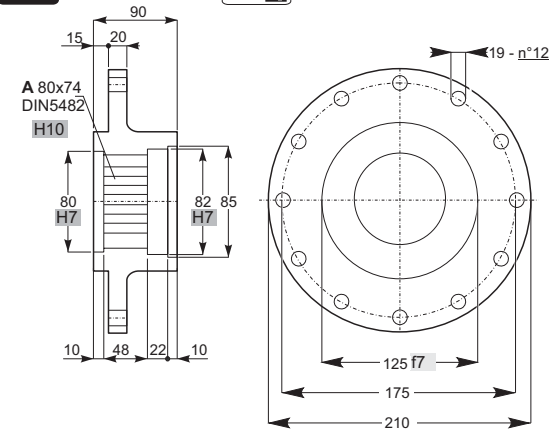
487.25 1504 167
487.25 1804 169
487.25 2004 171

kg

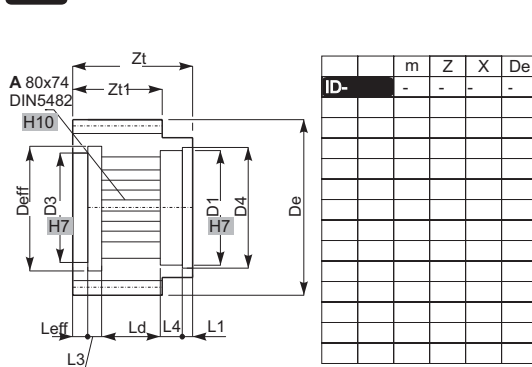


FD

7.8 kg

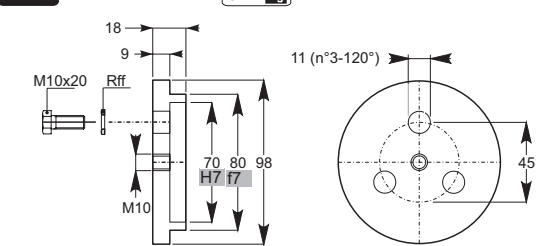


ID



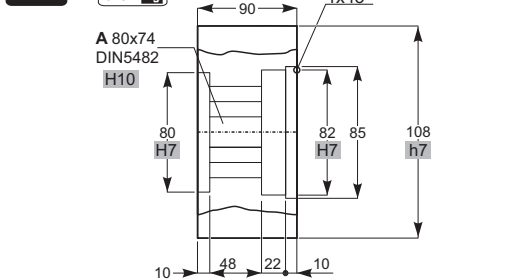
FF

0.7 kg



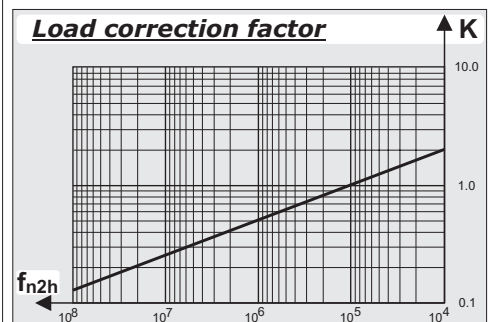
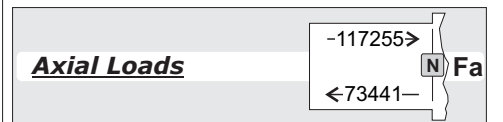
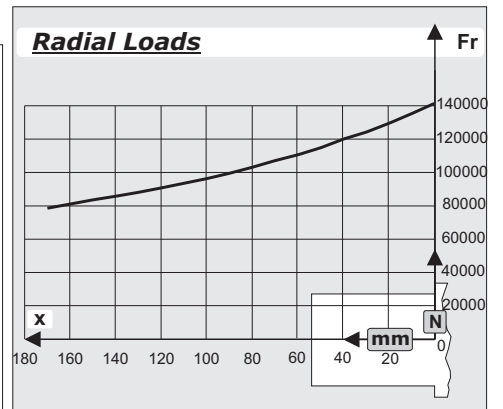
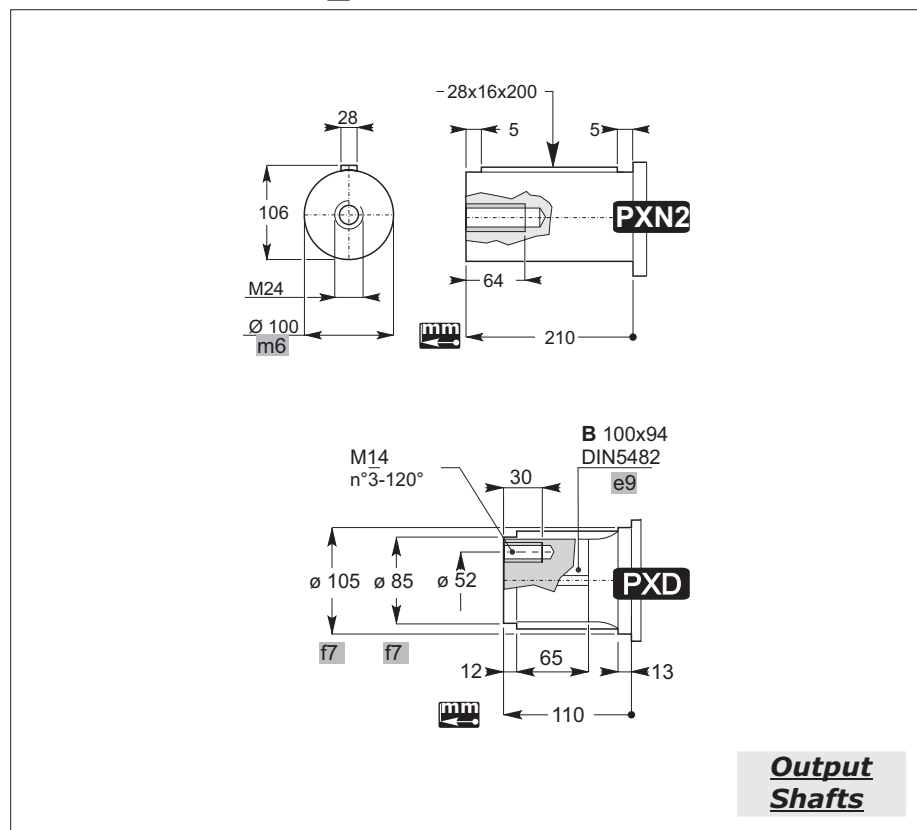
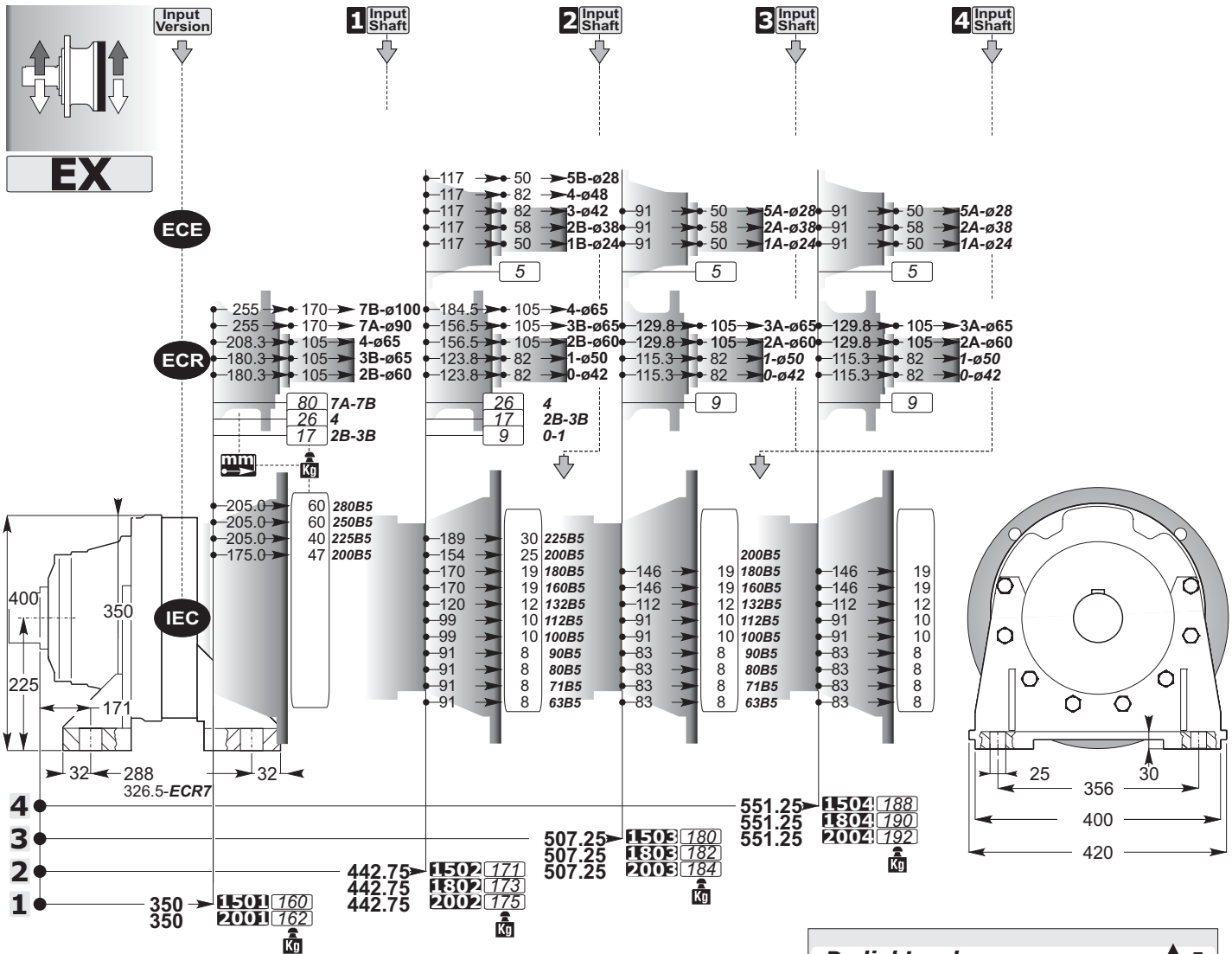
BD

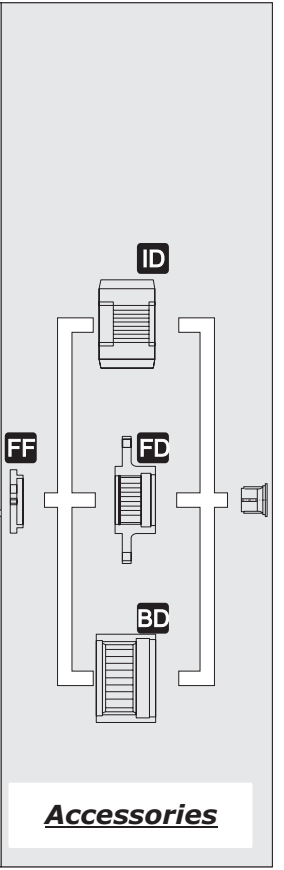
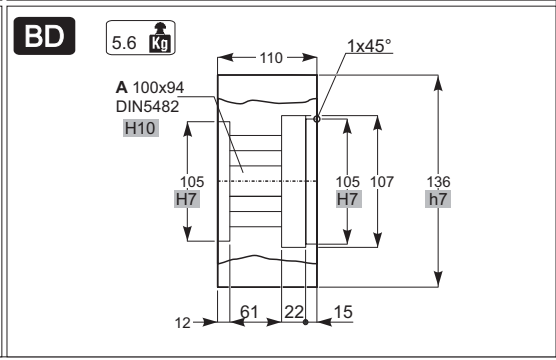
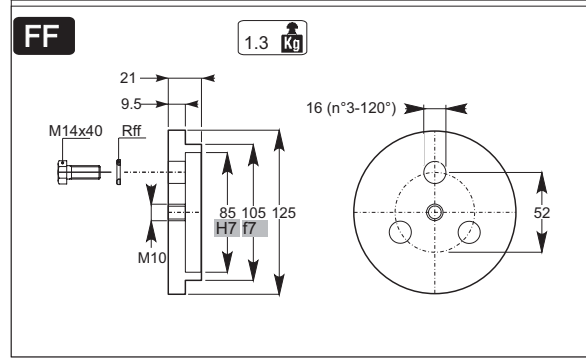
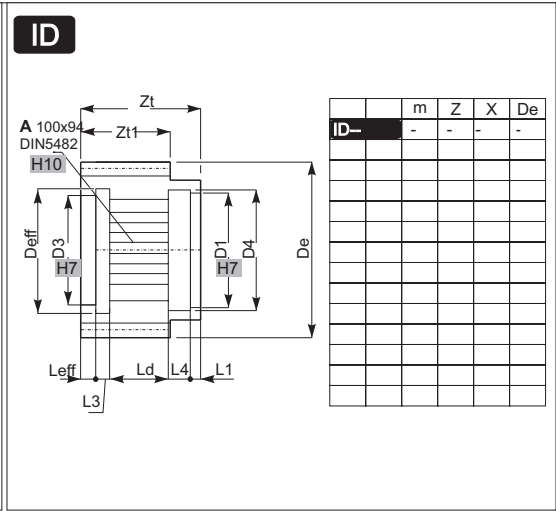
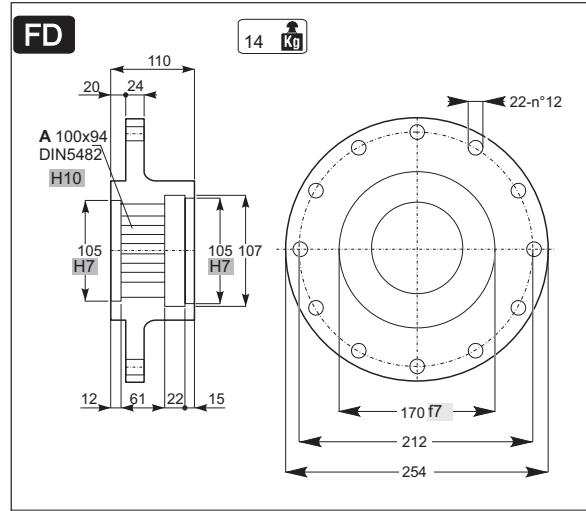
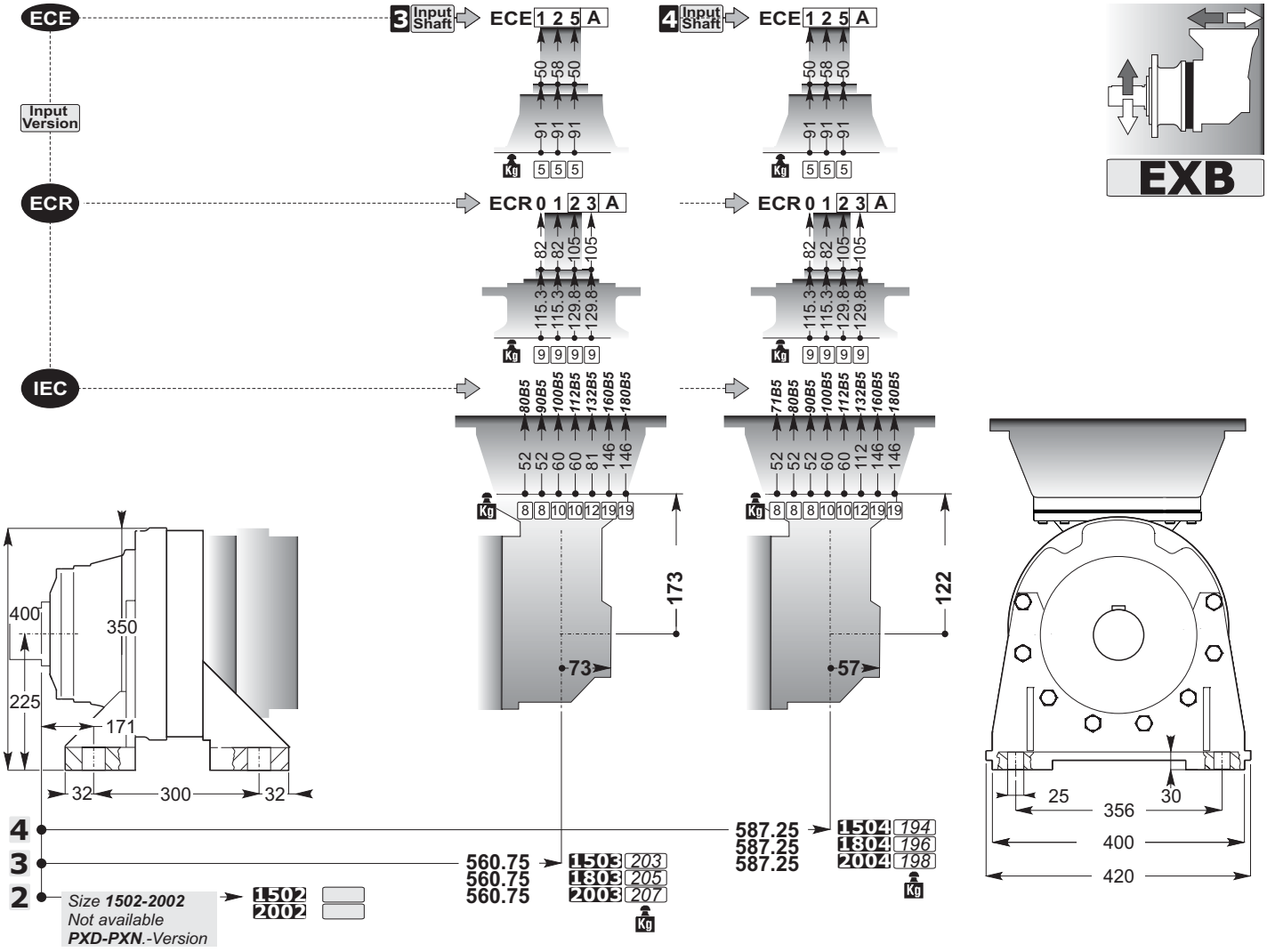
3.0 kg

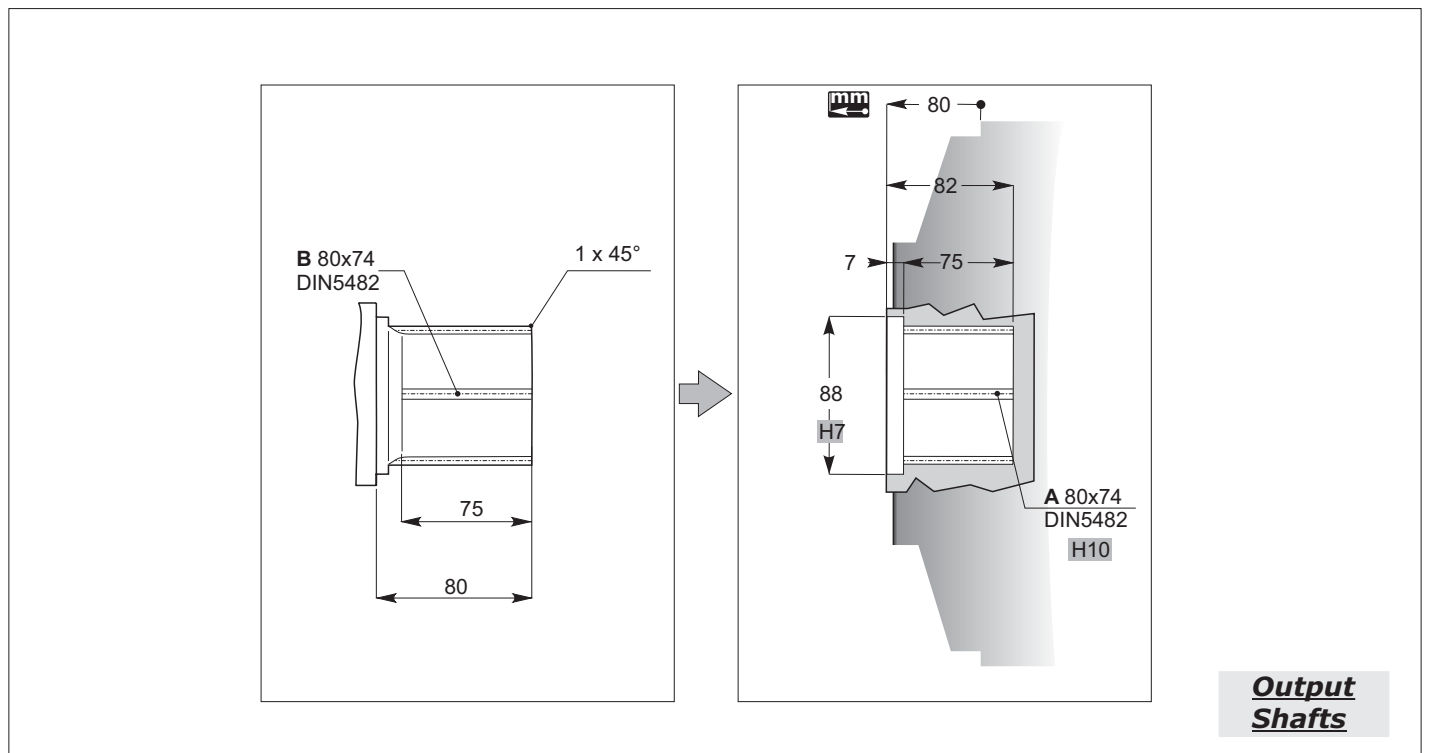
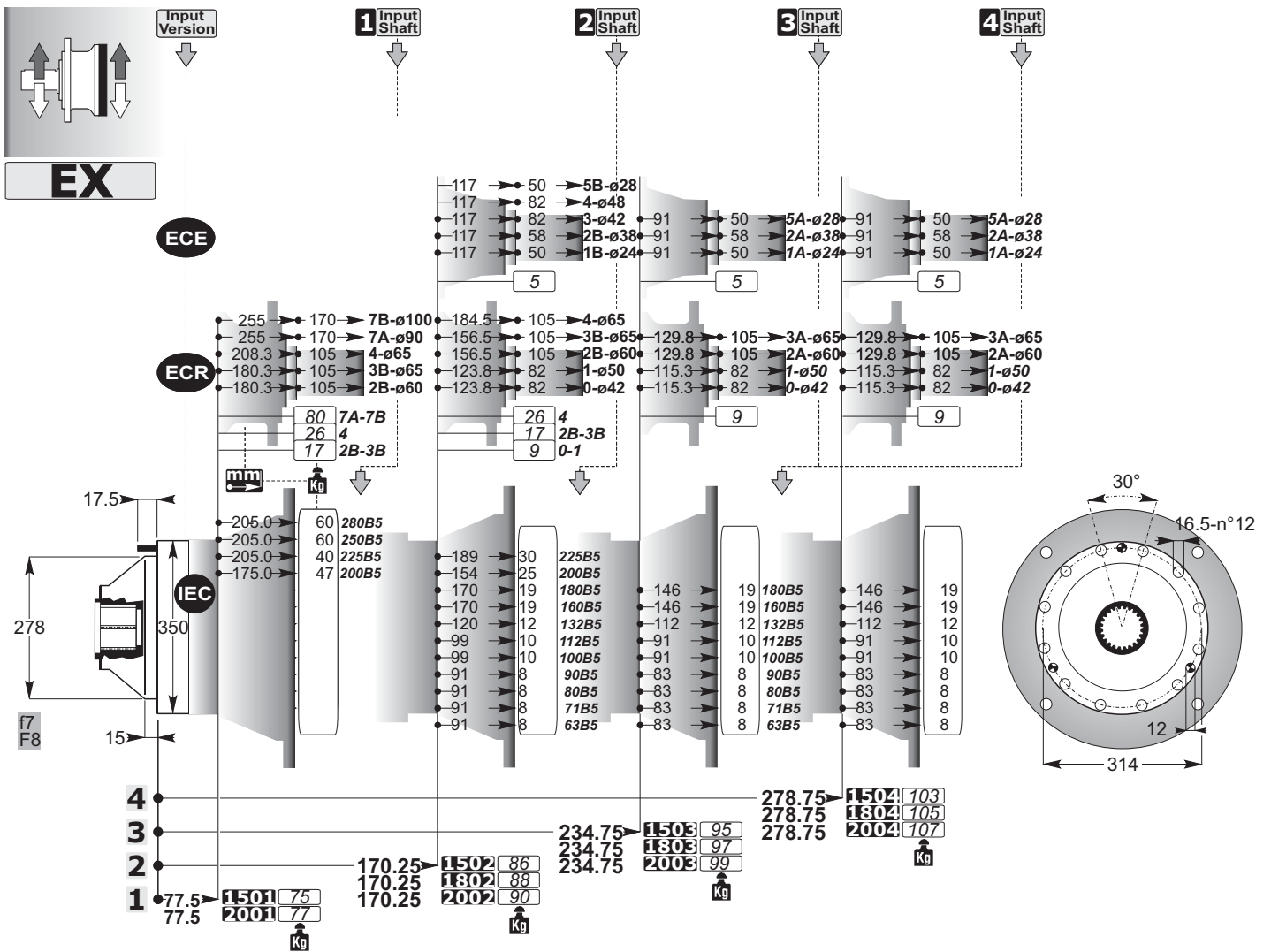


Accessories

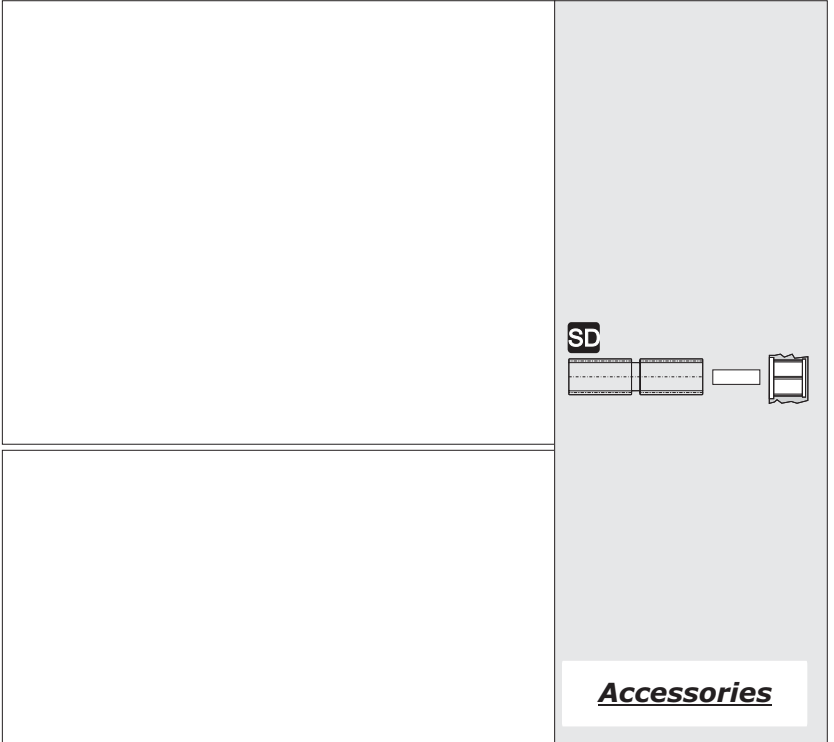
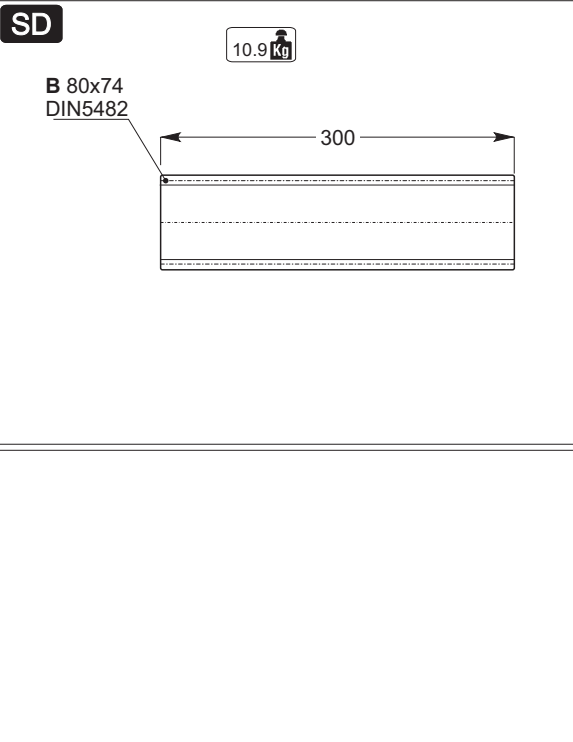
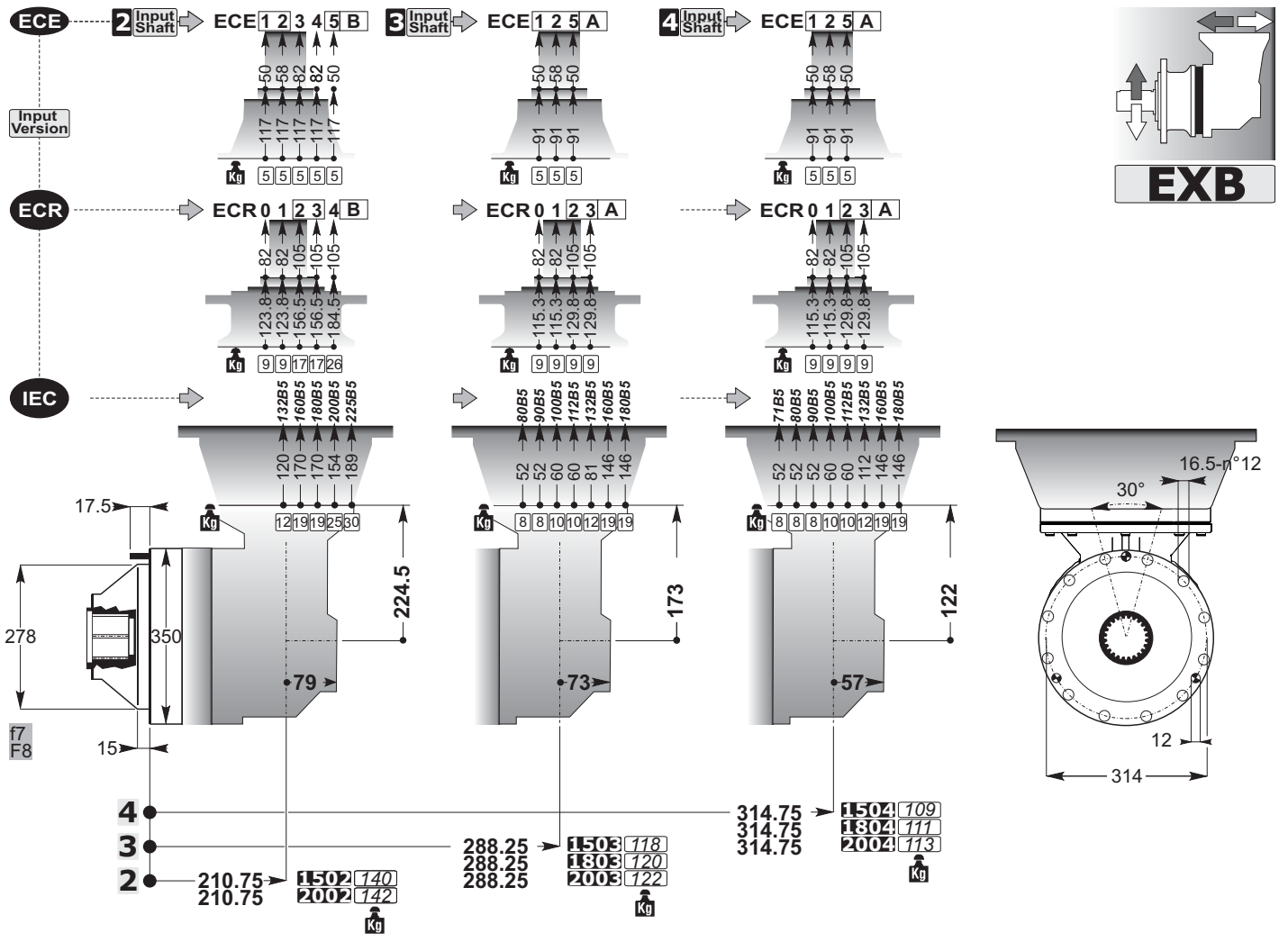
mm
C

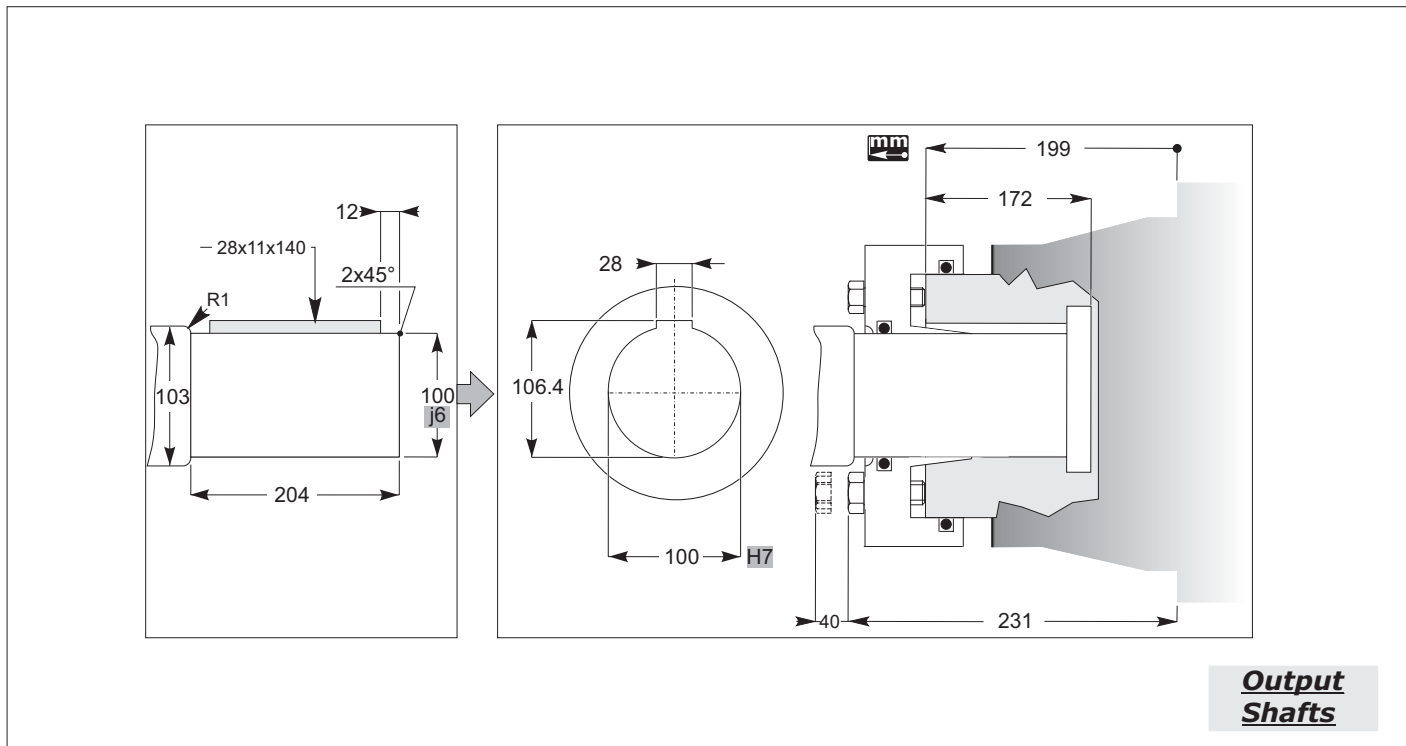
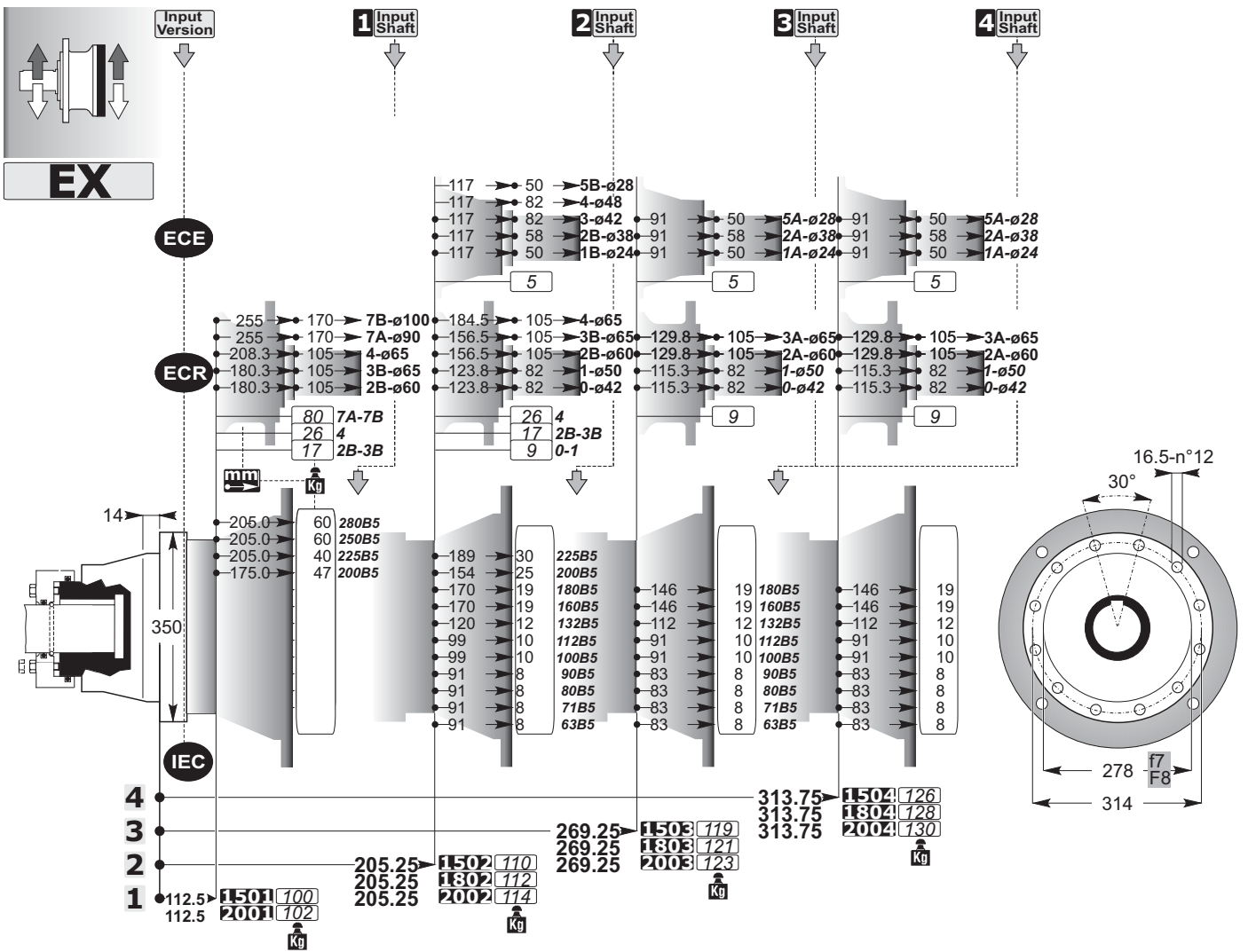


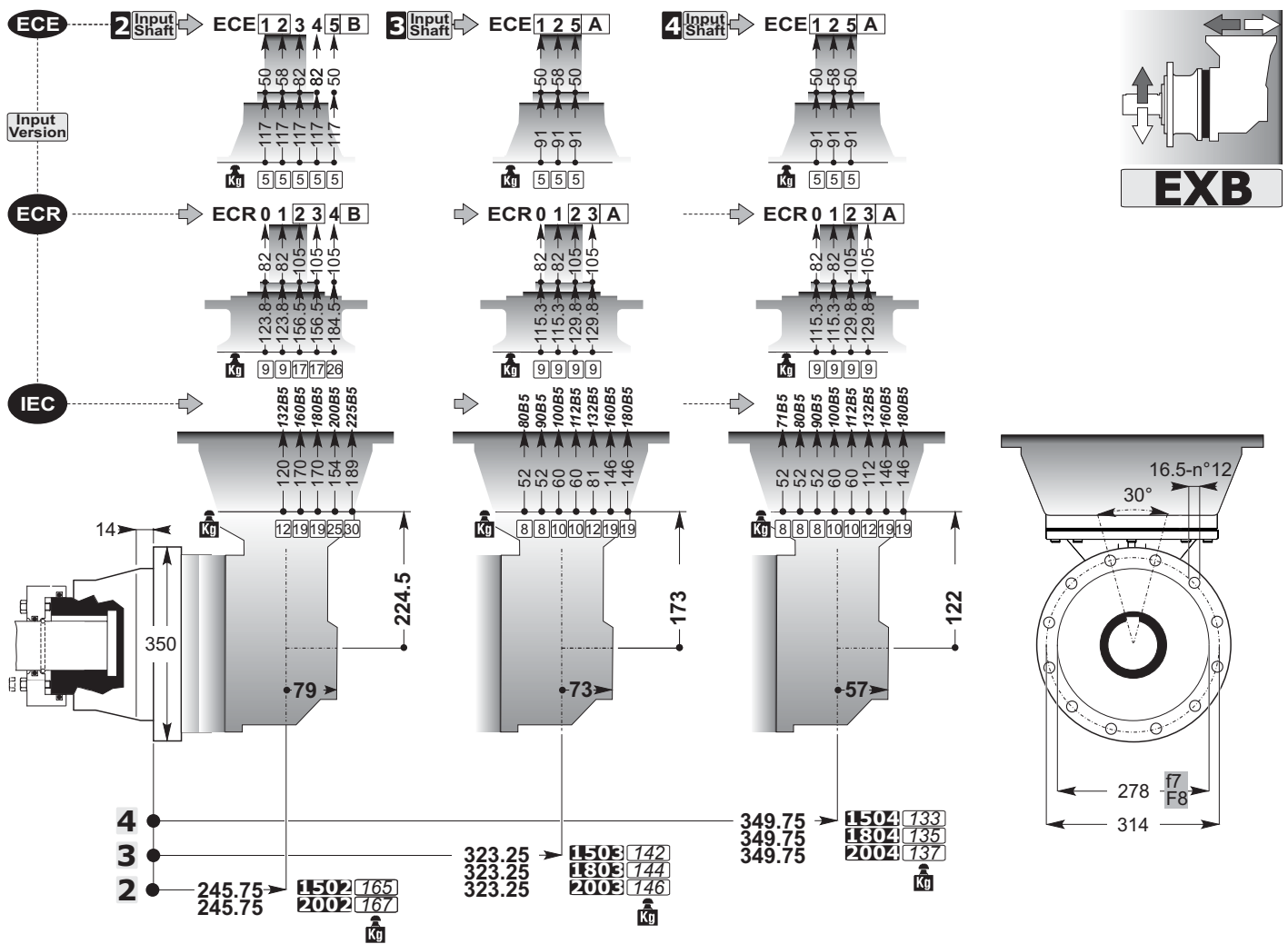


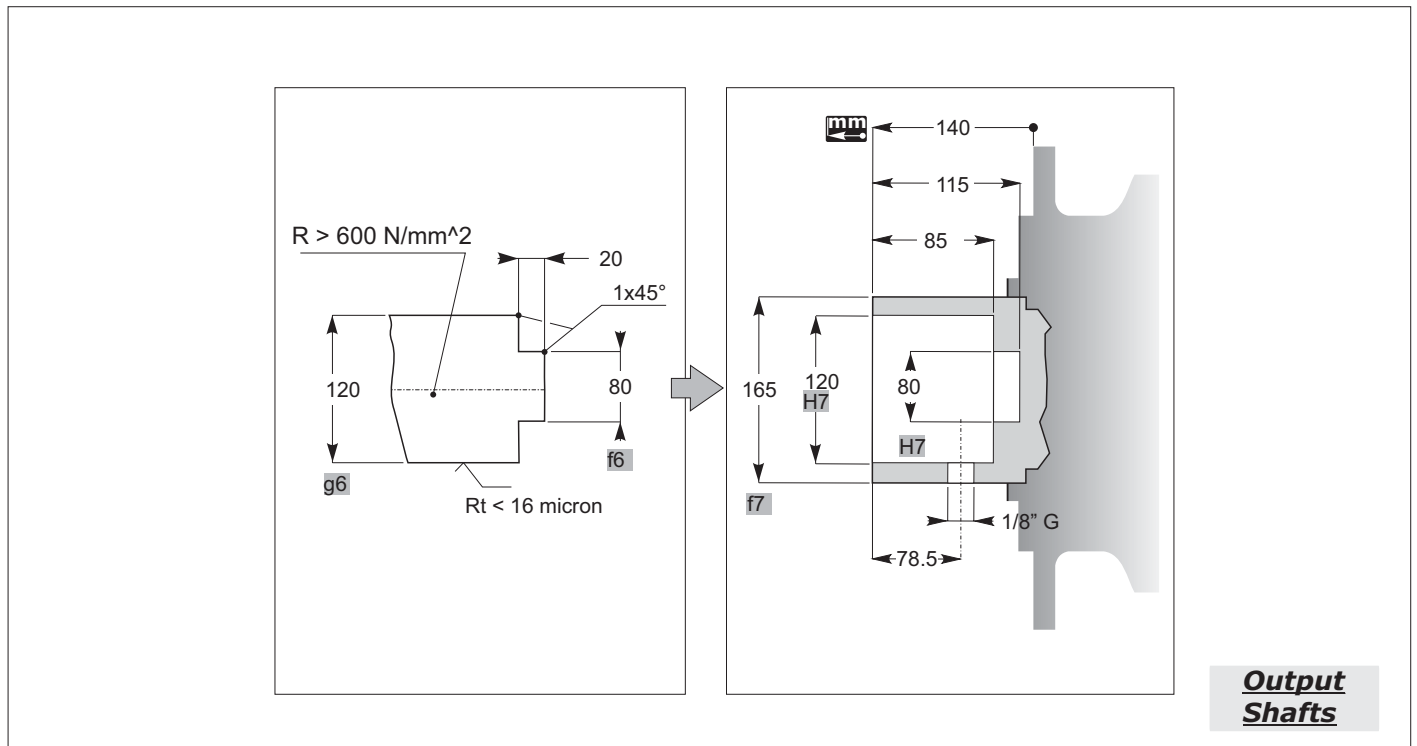
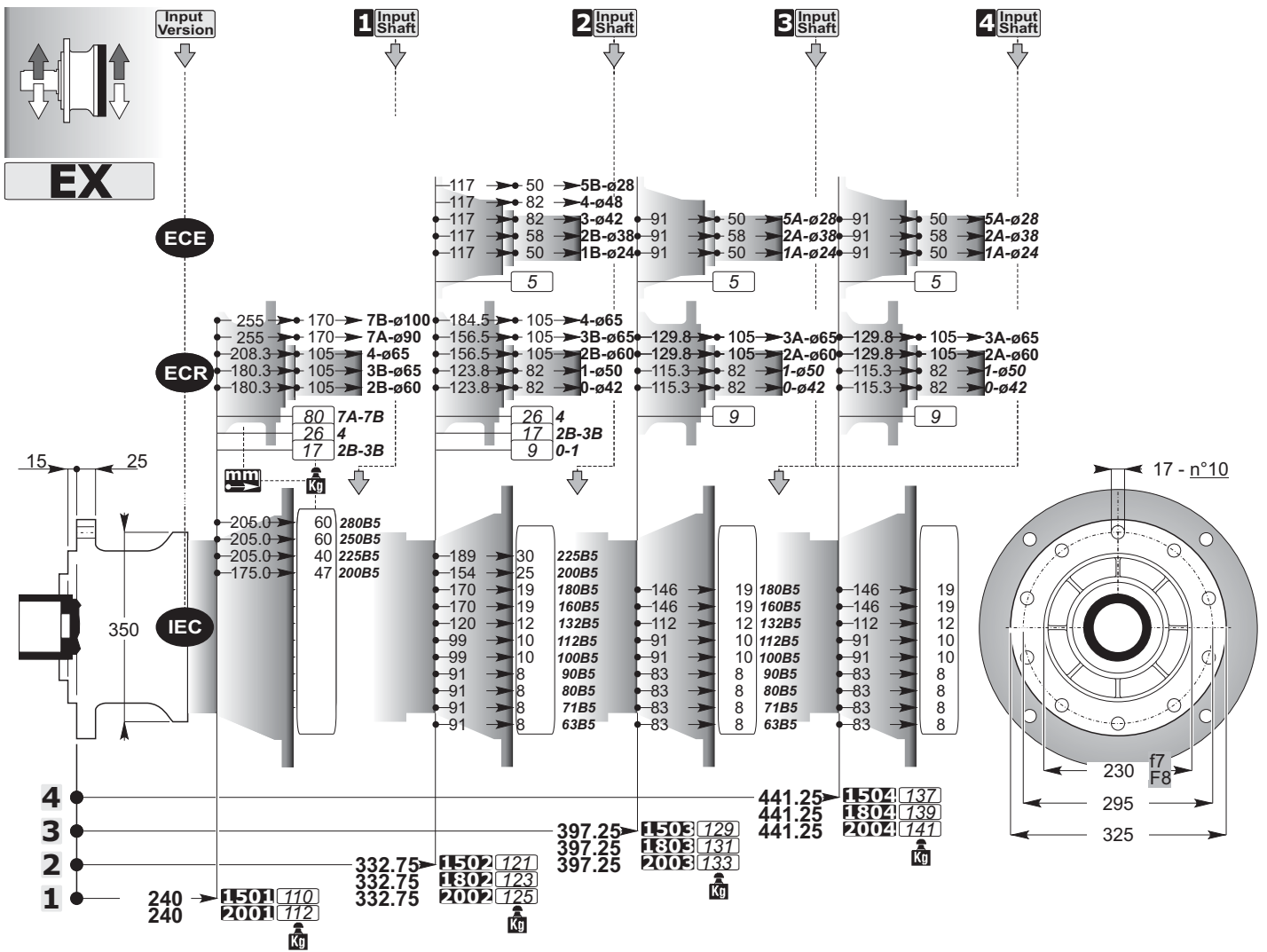


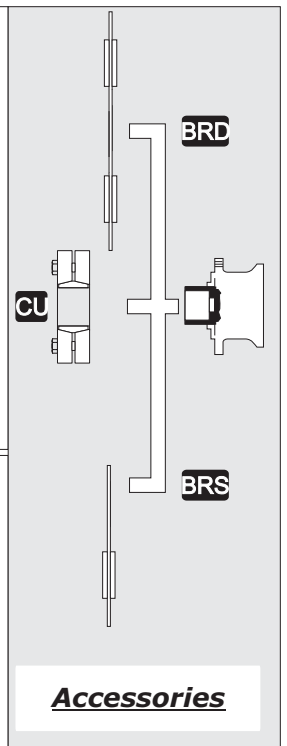
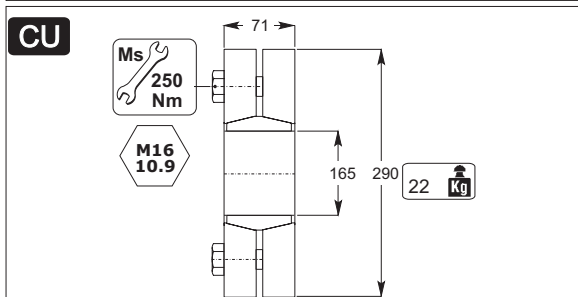
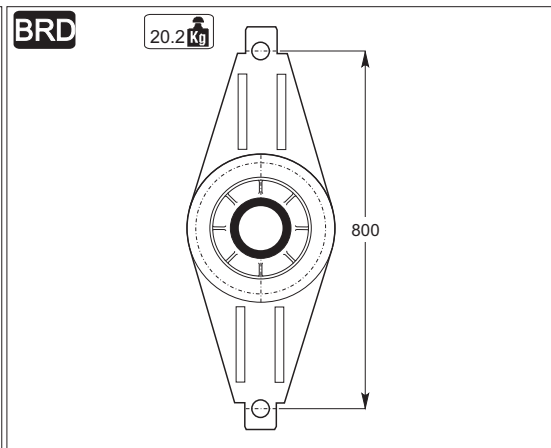
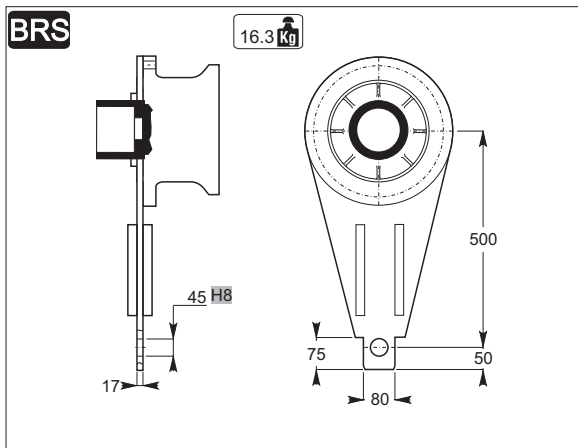
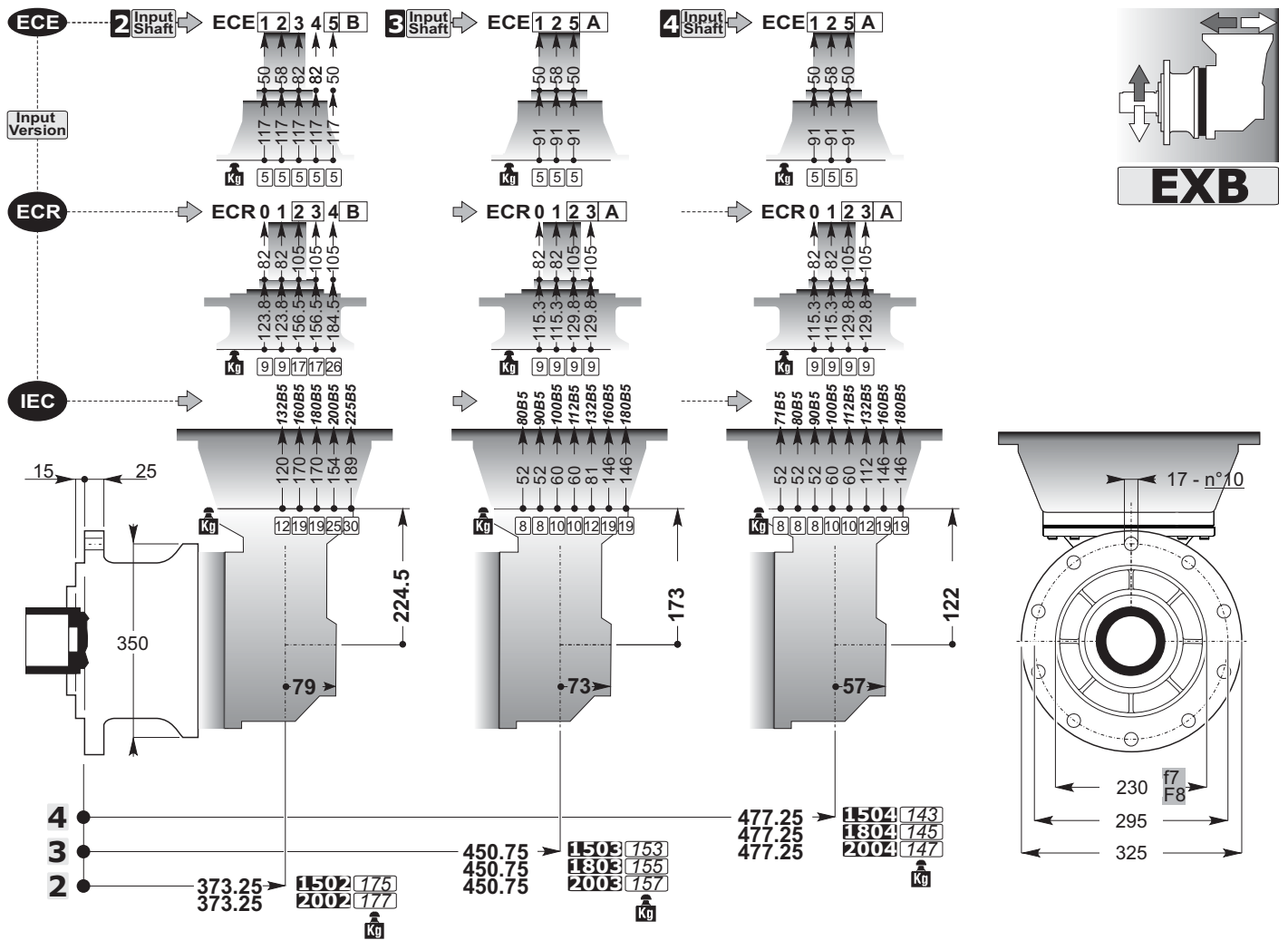
Output Shafts



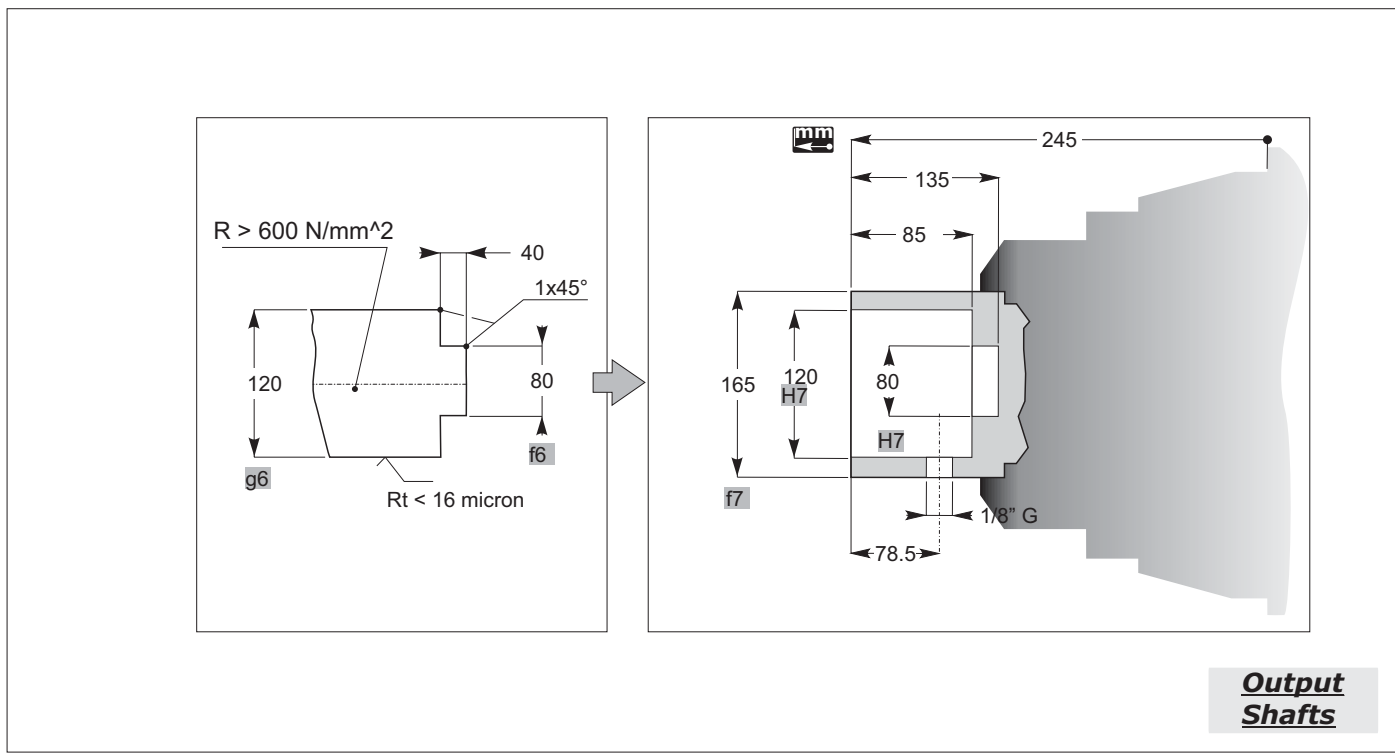
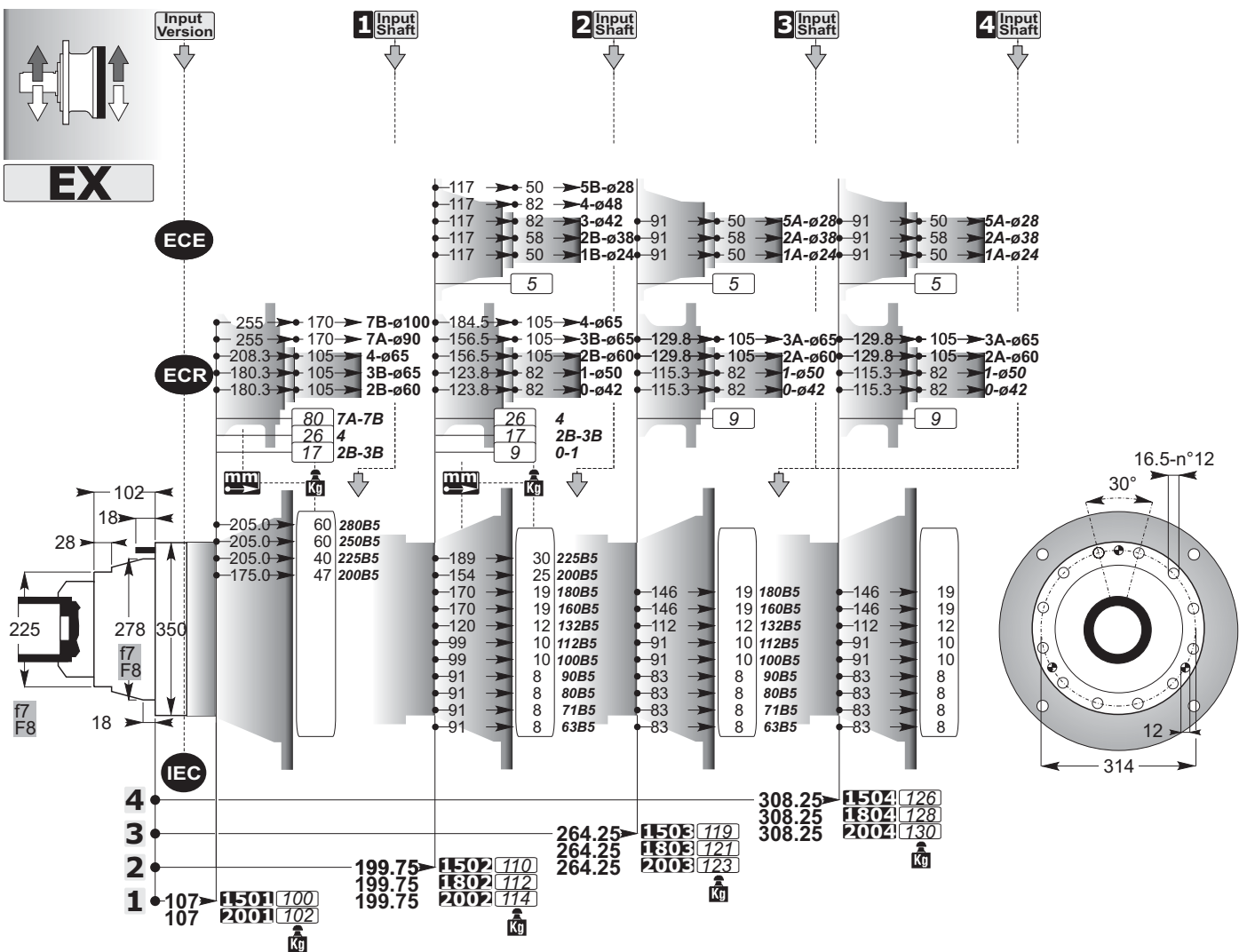


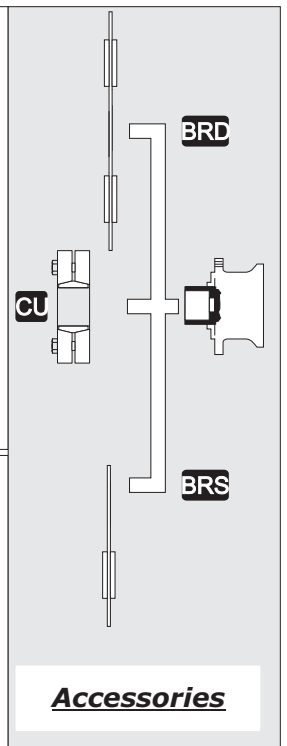
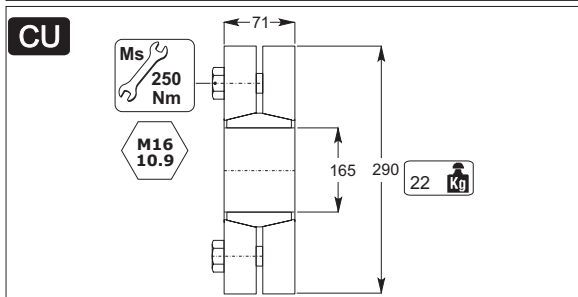
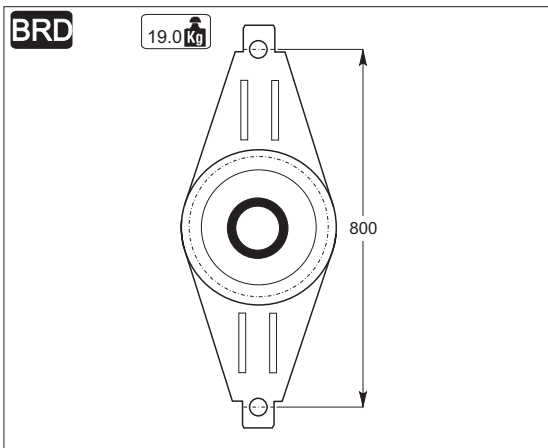
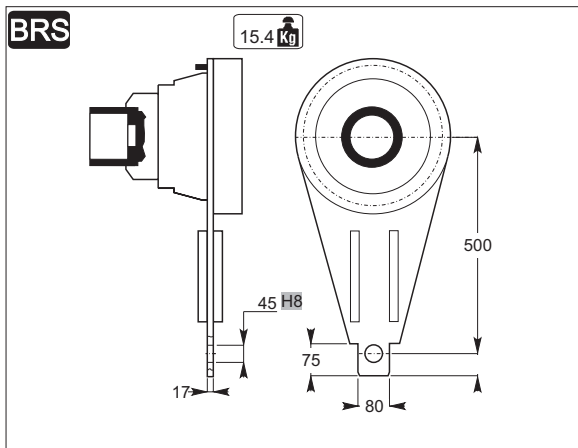
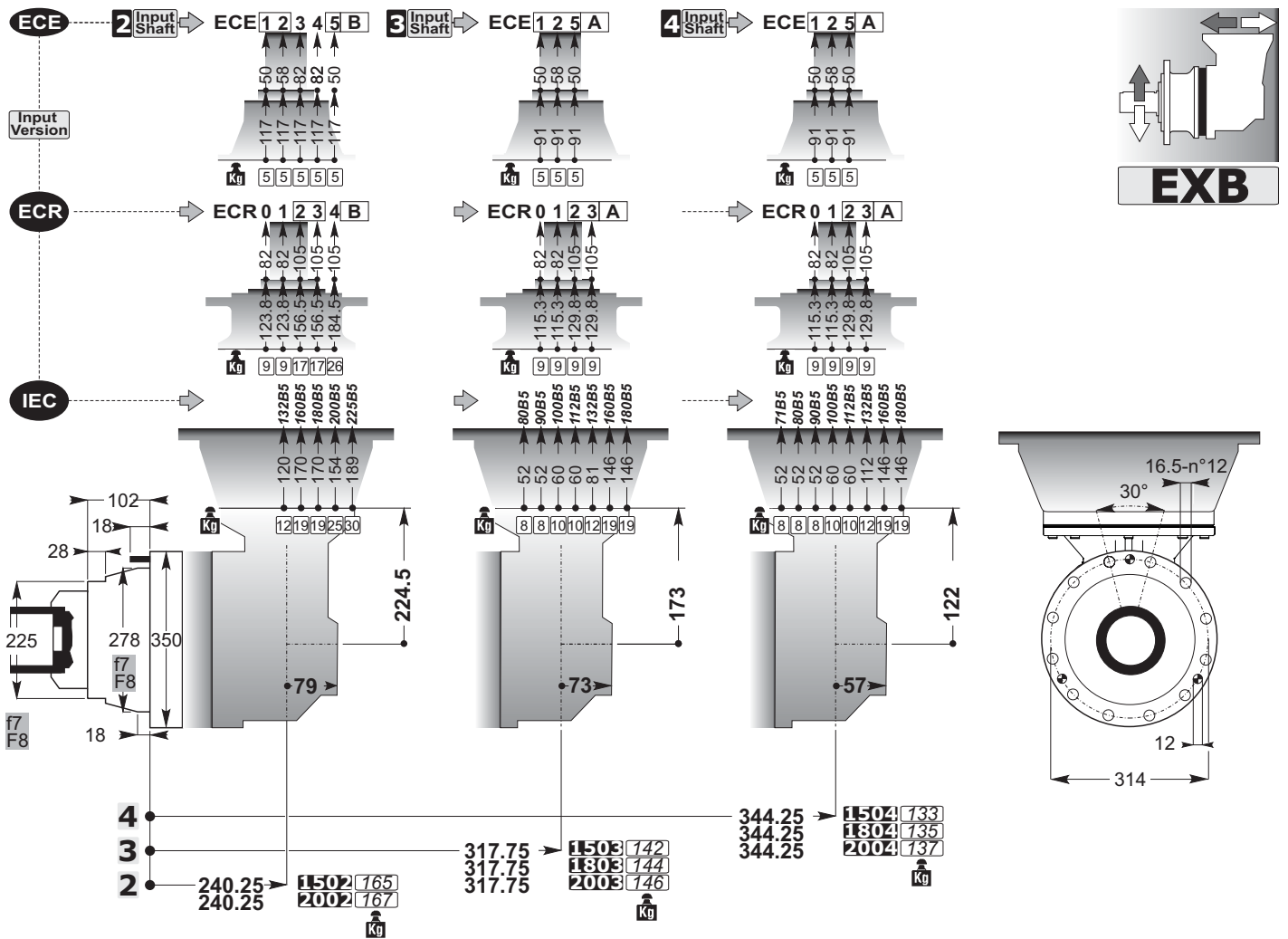




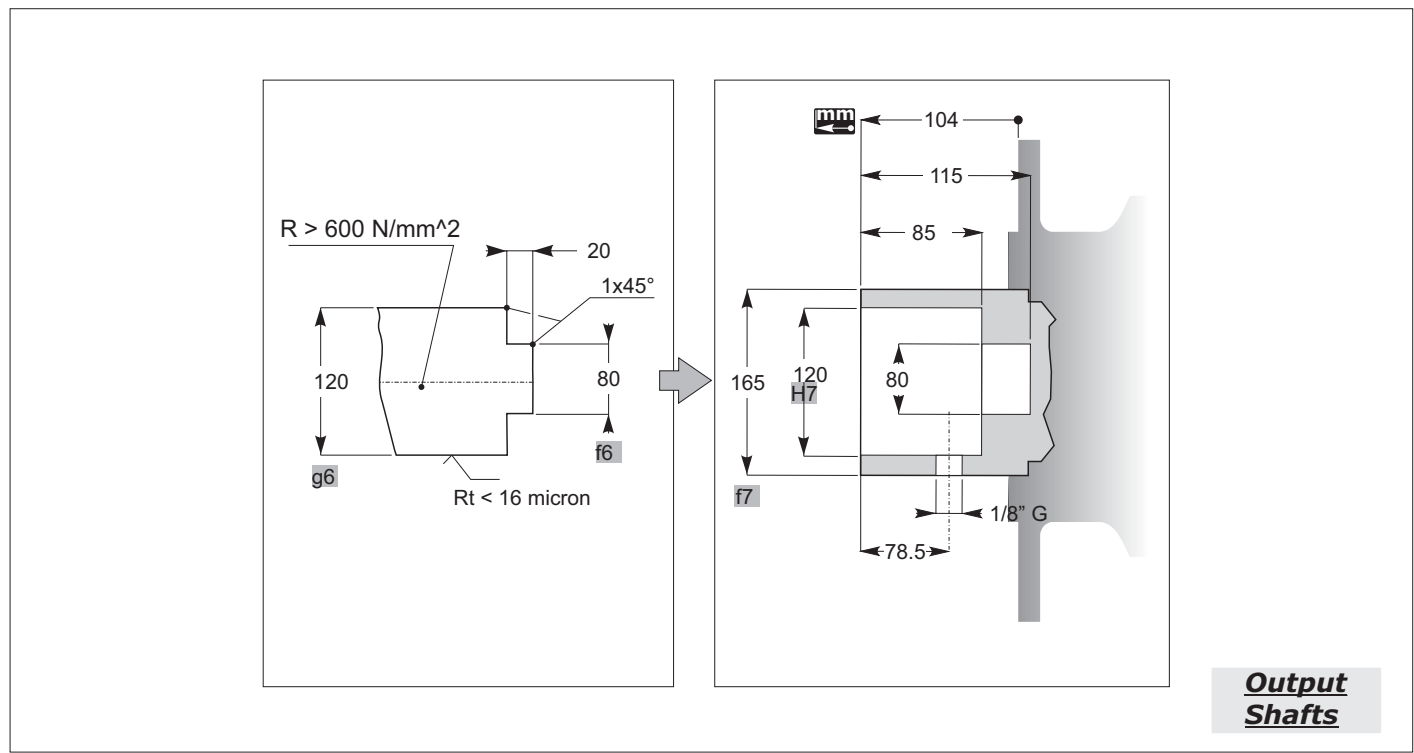
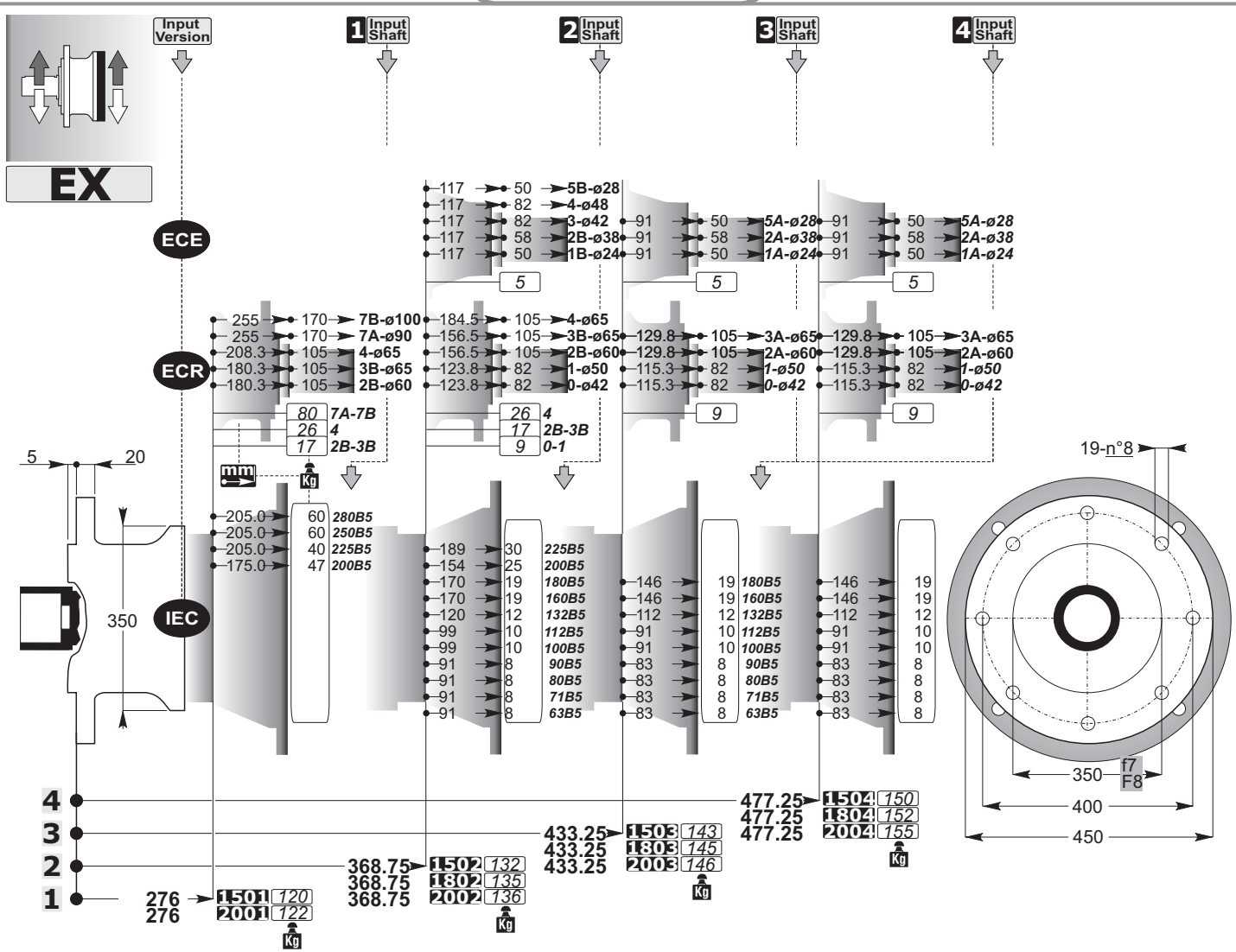


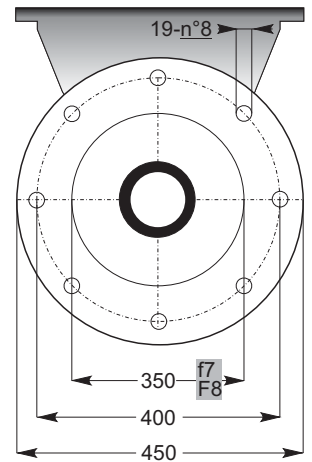
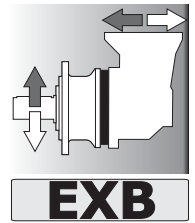
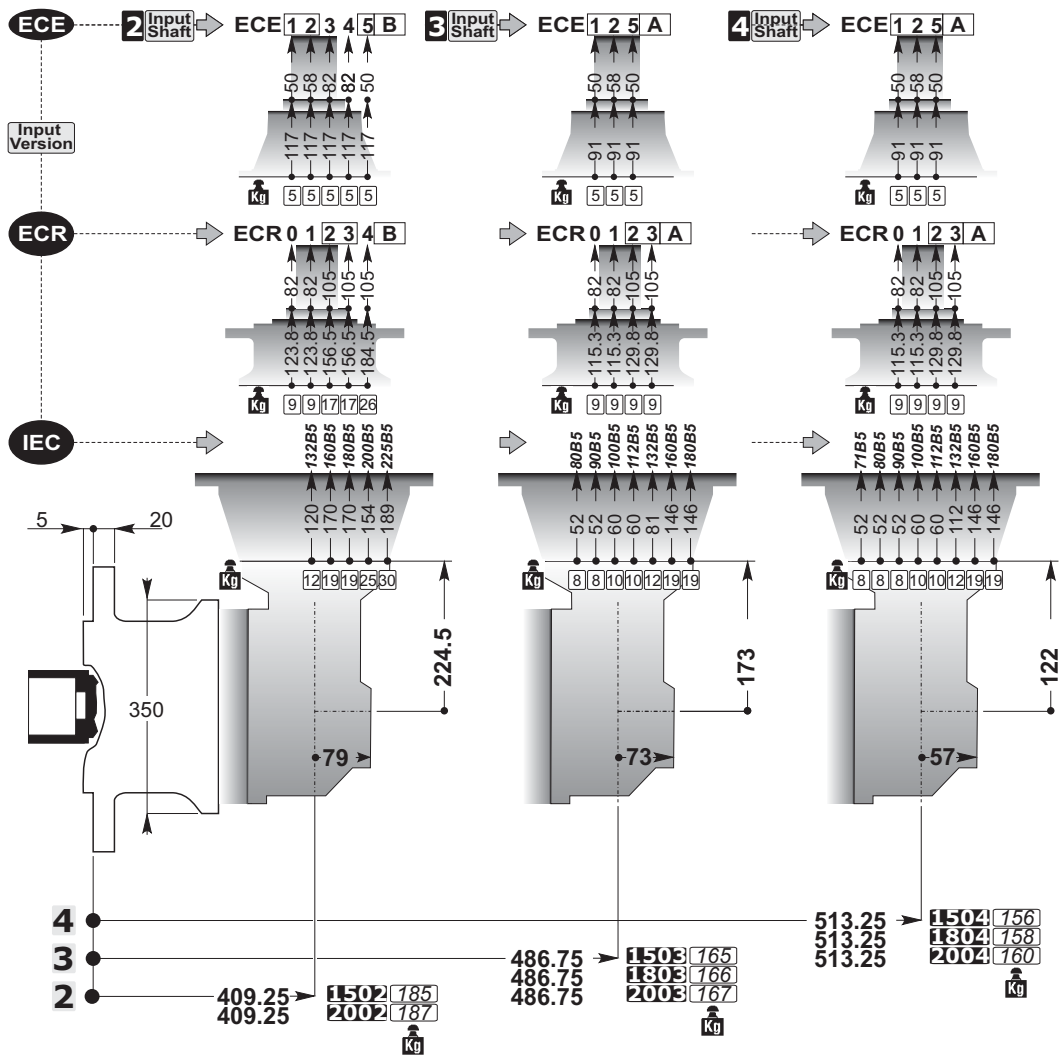
mm
C





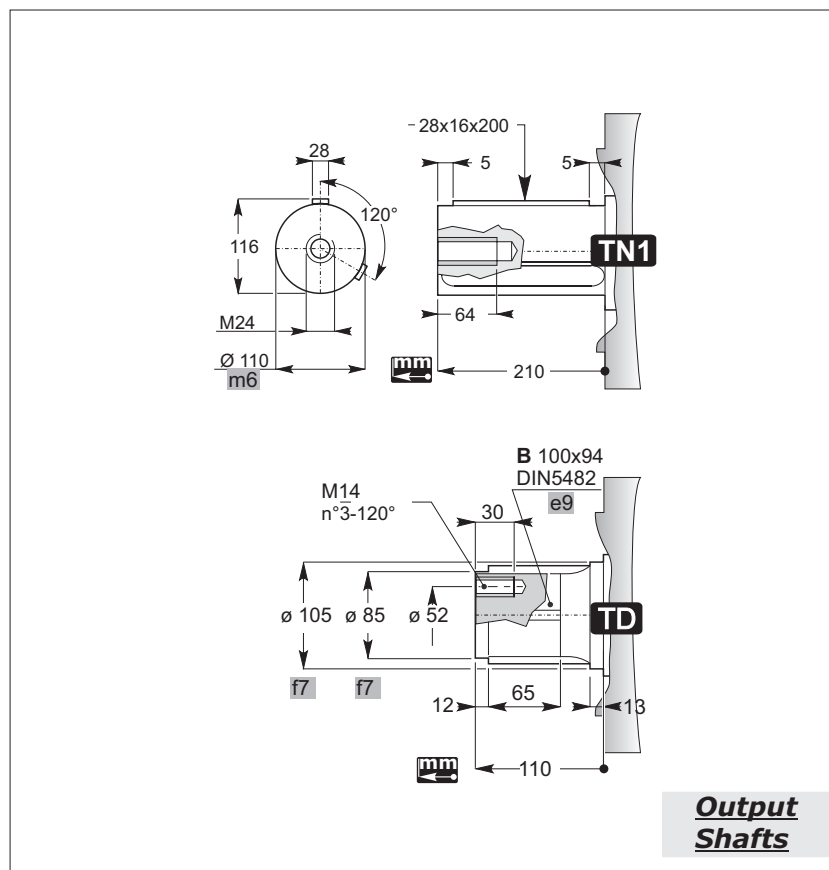
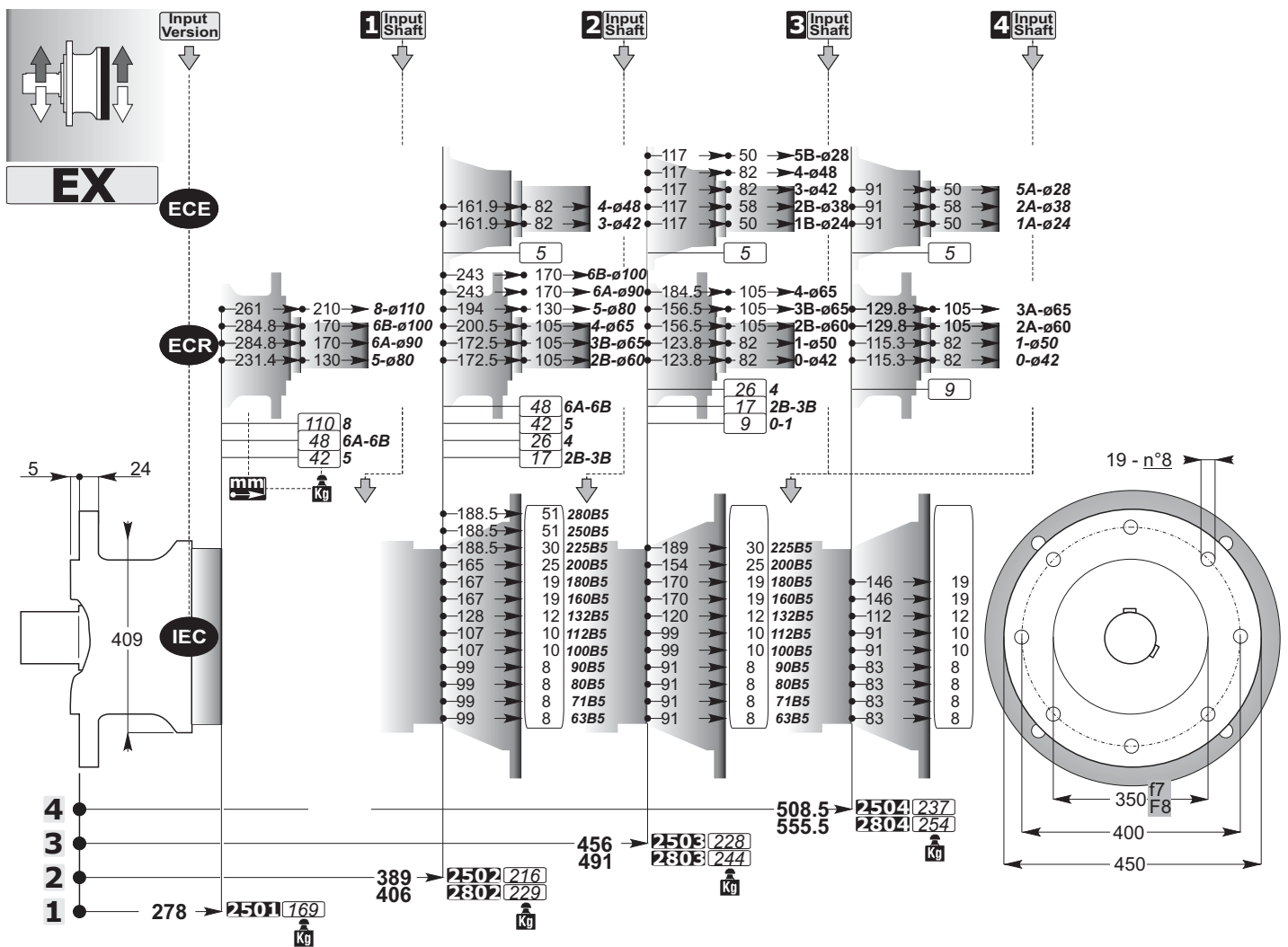
mm
C



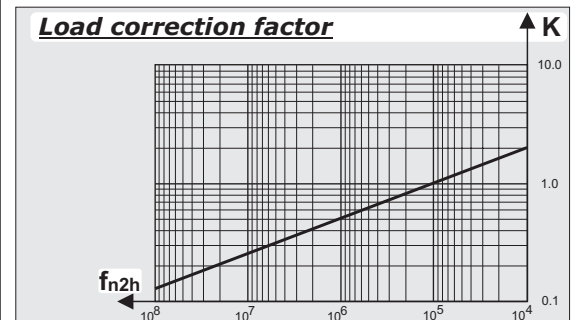
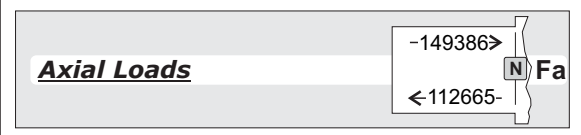
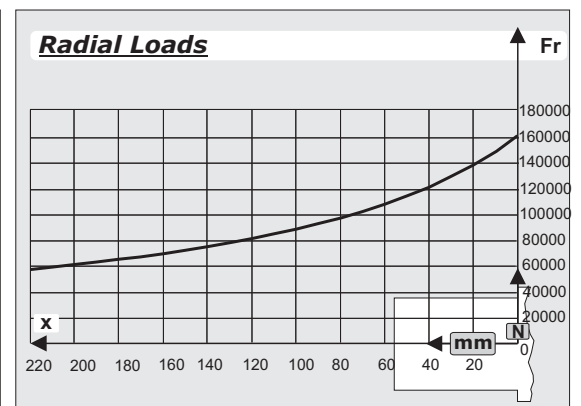


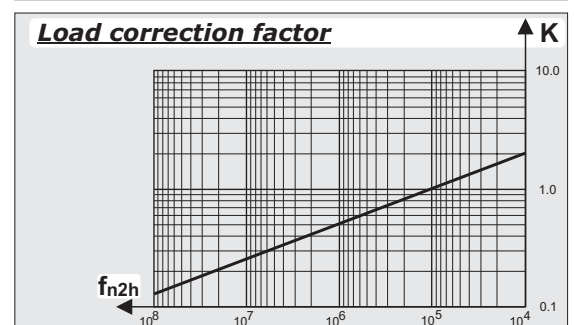
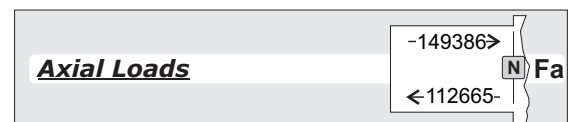
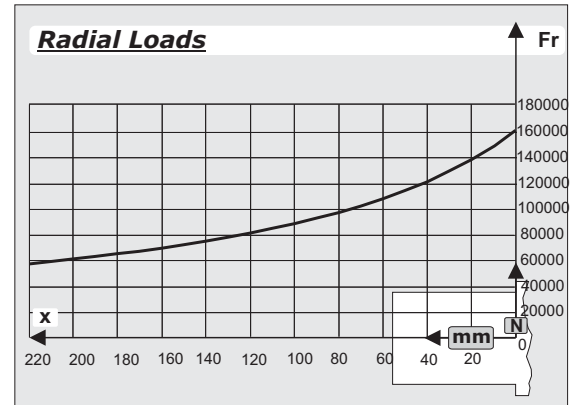
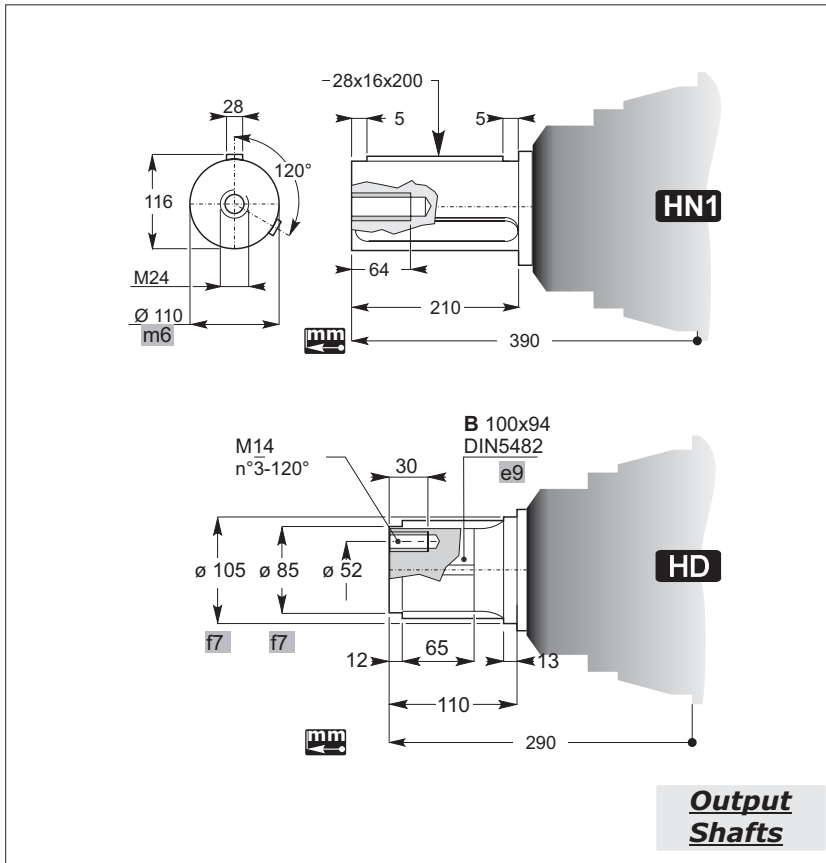
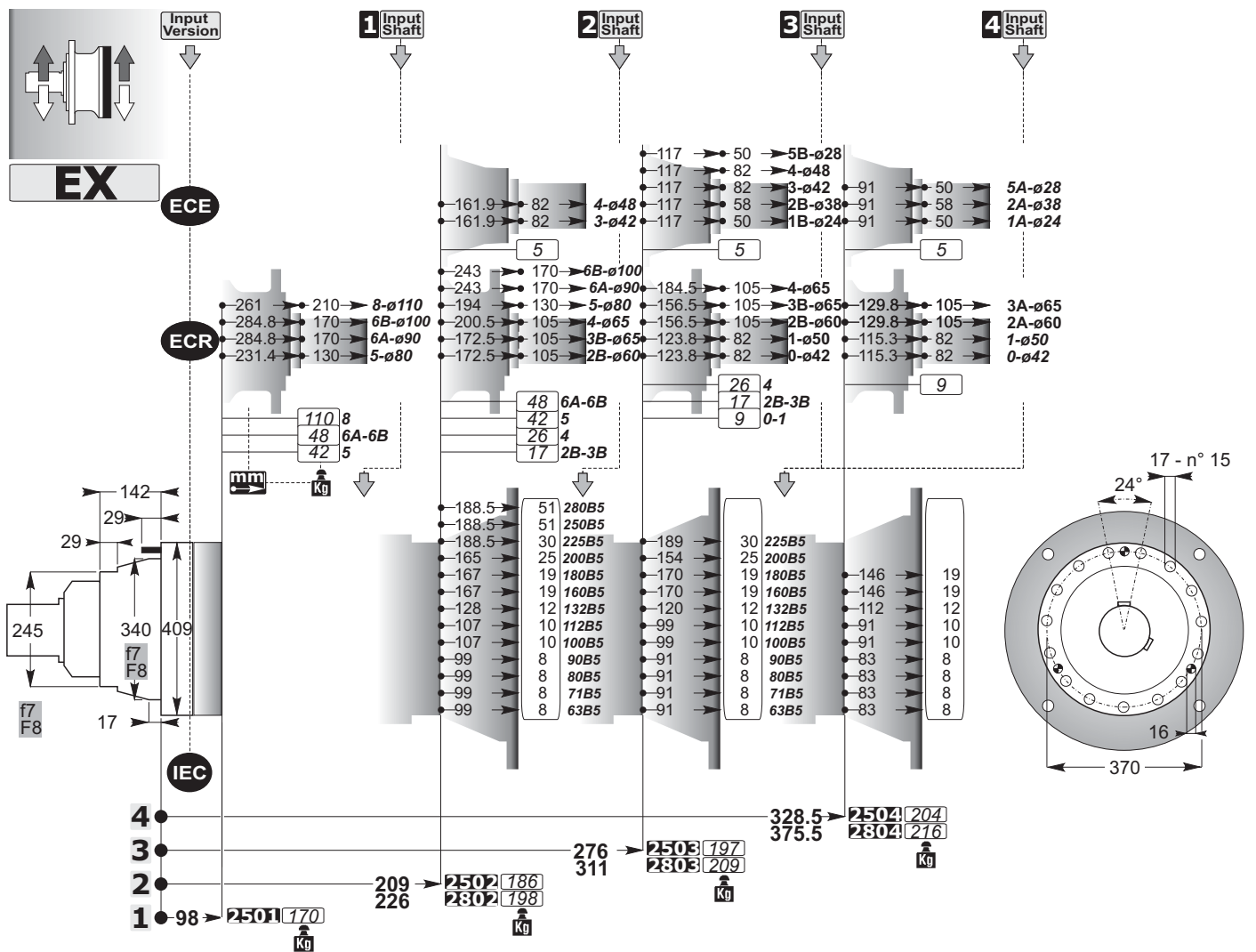
<p>BRS</p>	<p>BRD</p>	<p>Accessories</p>
<p>CU</p> <p>Ms 250 Nm M16 10.9 22 Kg</p>		

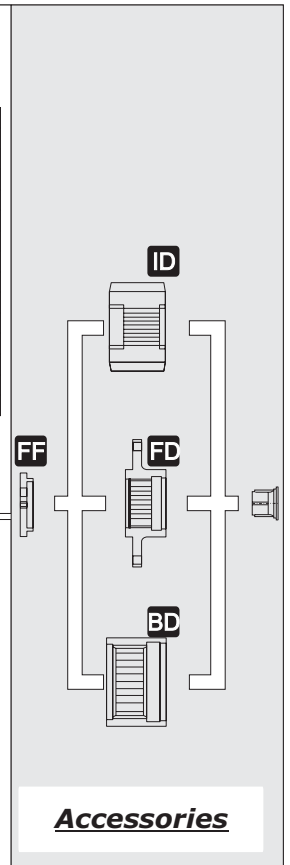
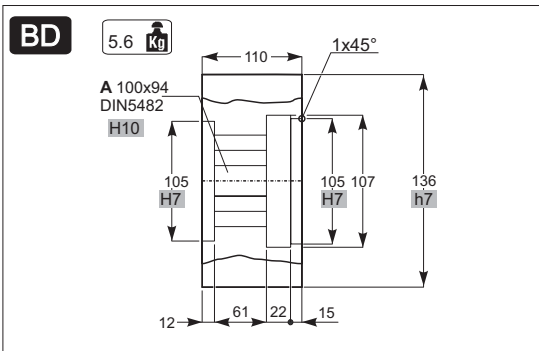
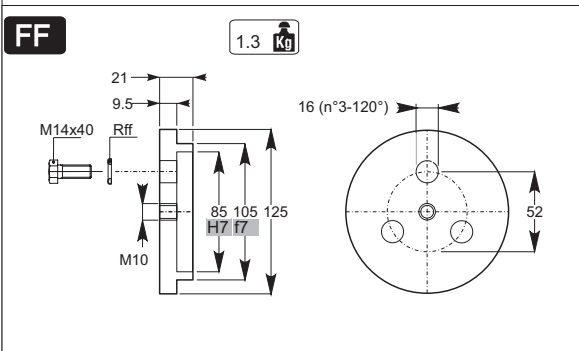
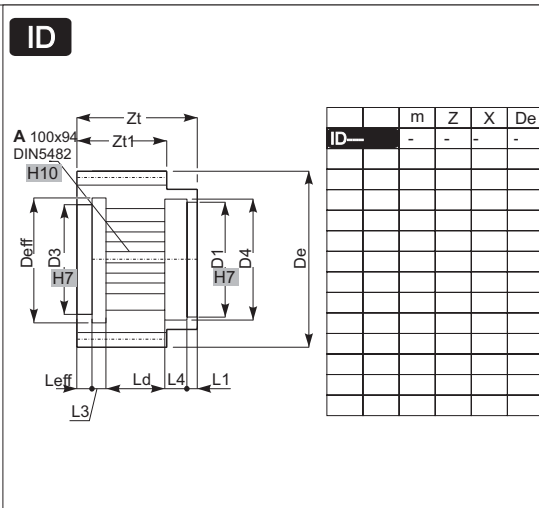
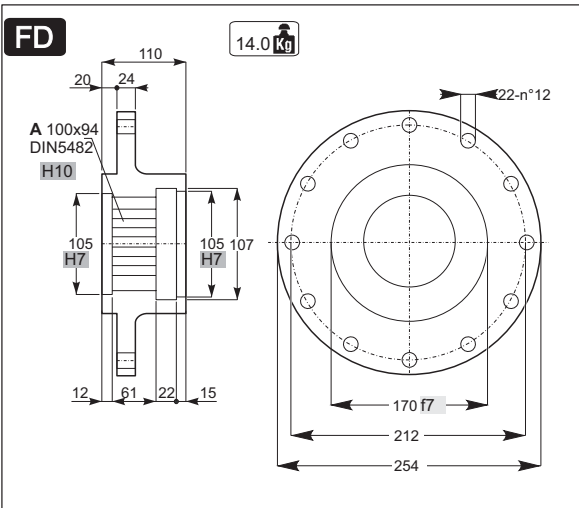
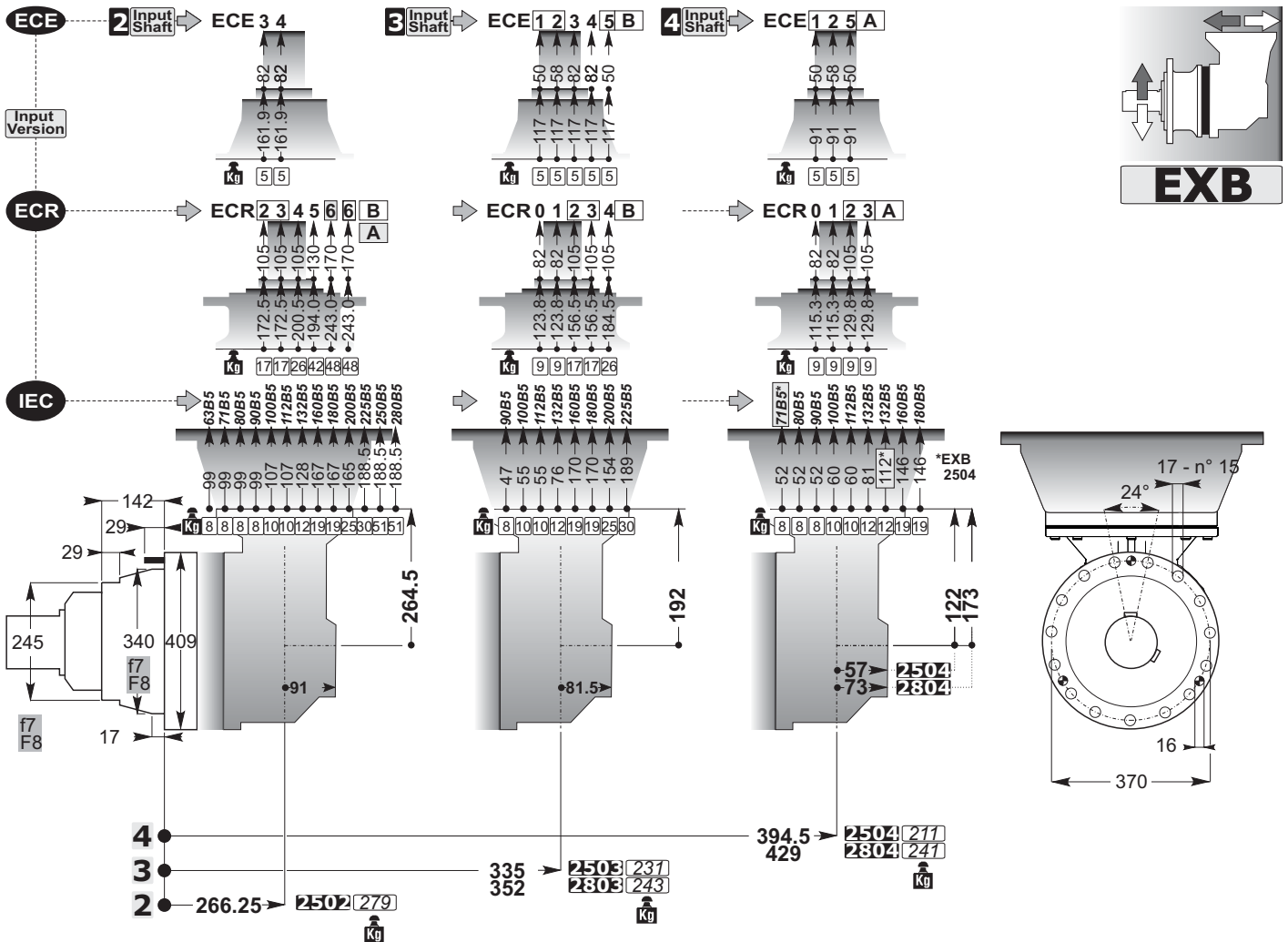




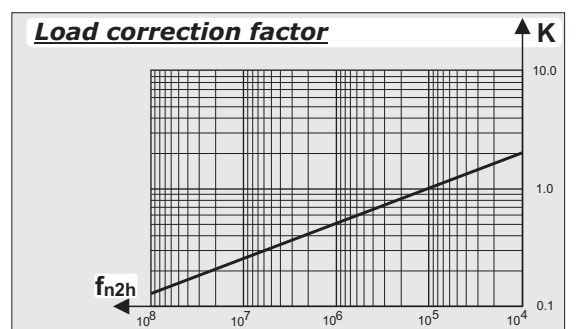
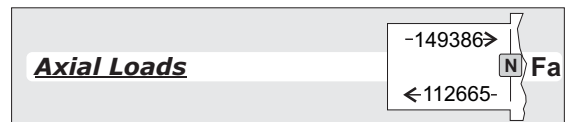
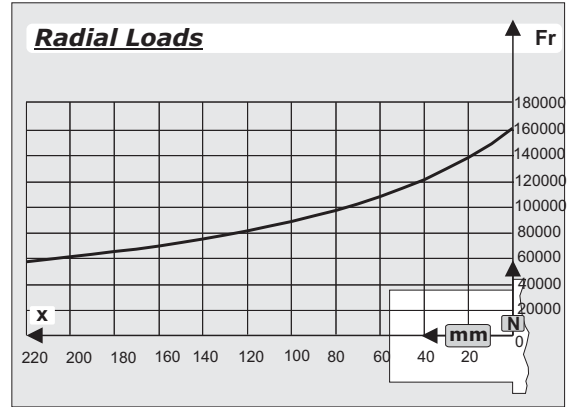
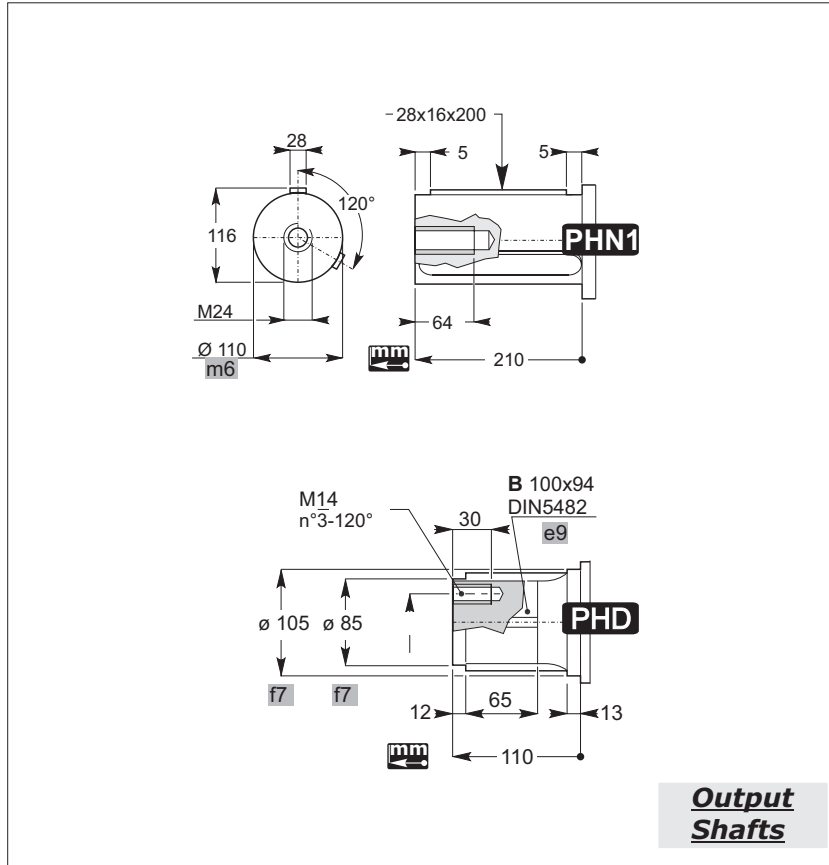
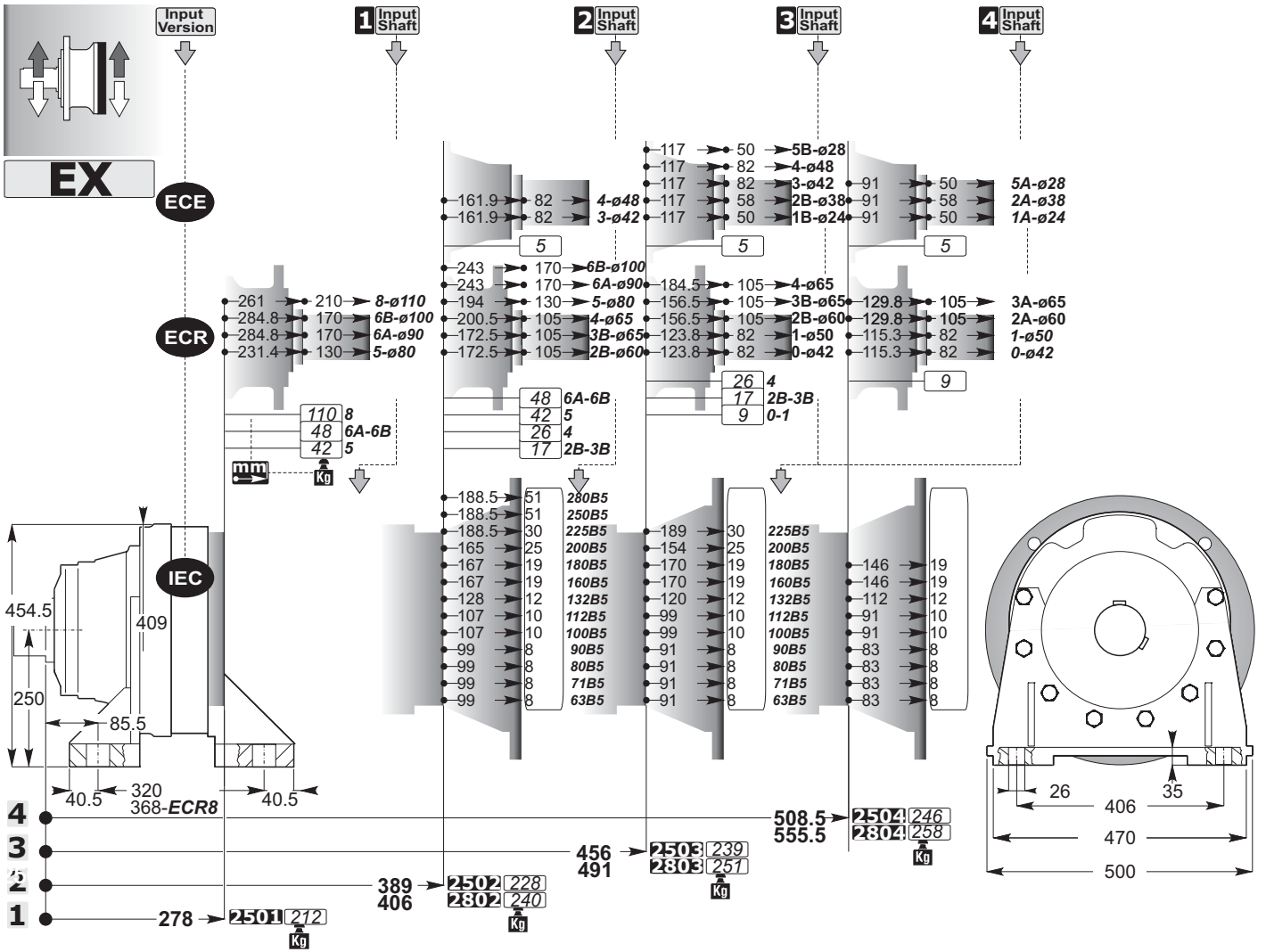
Output Shafts

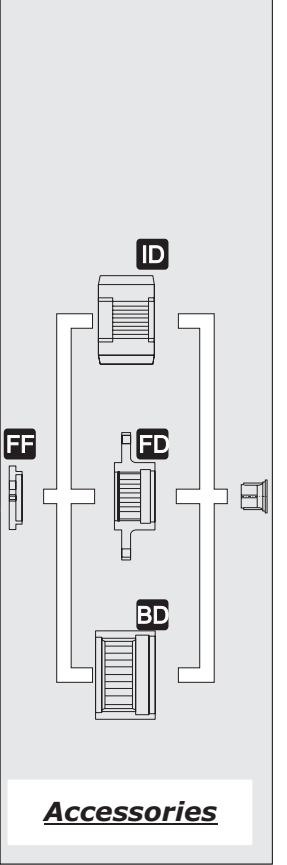
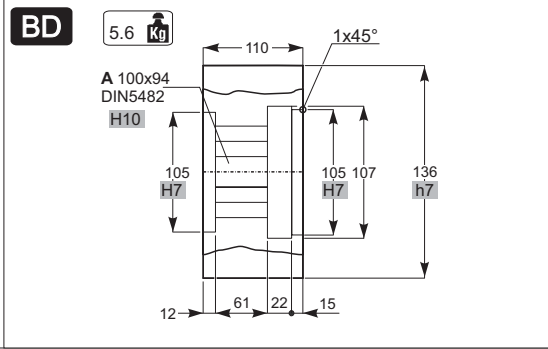
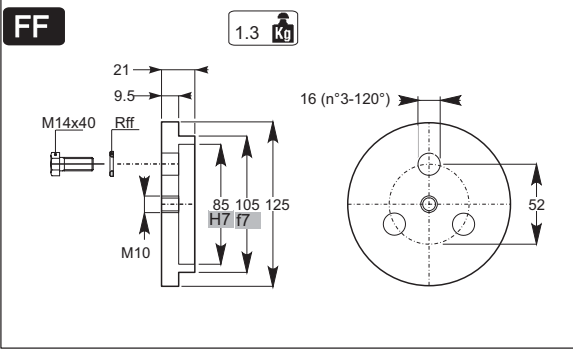
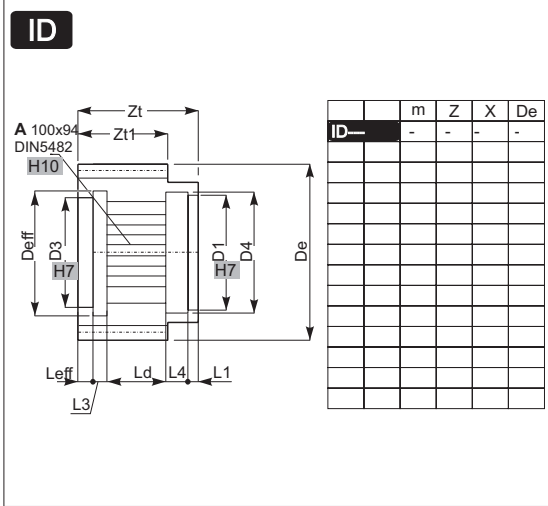
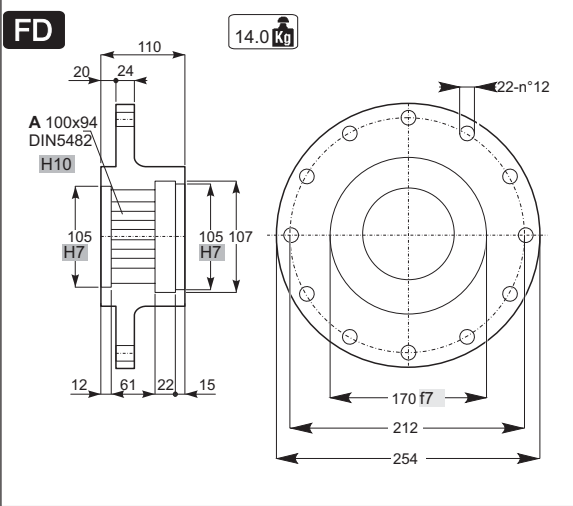
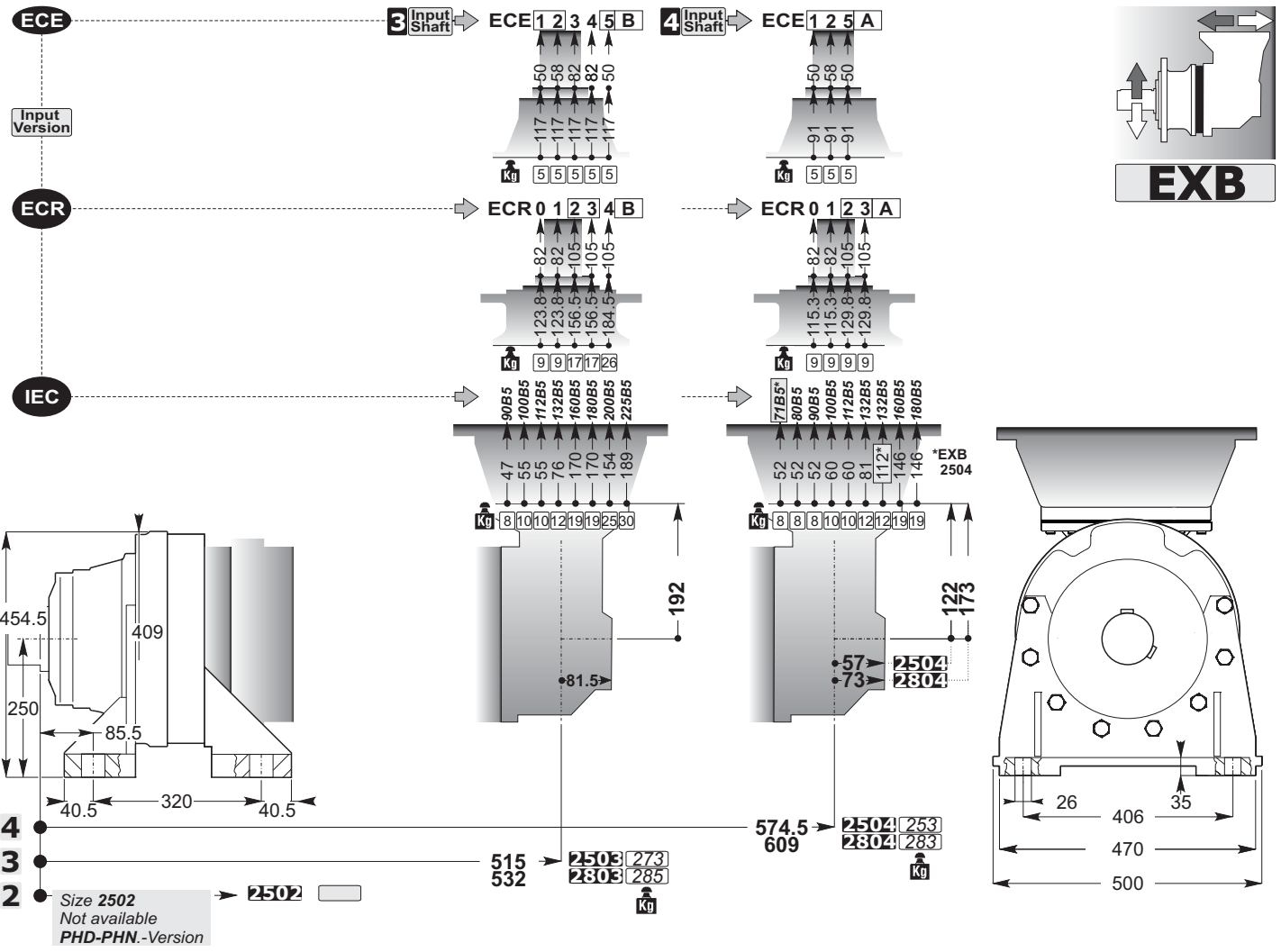


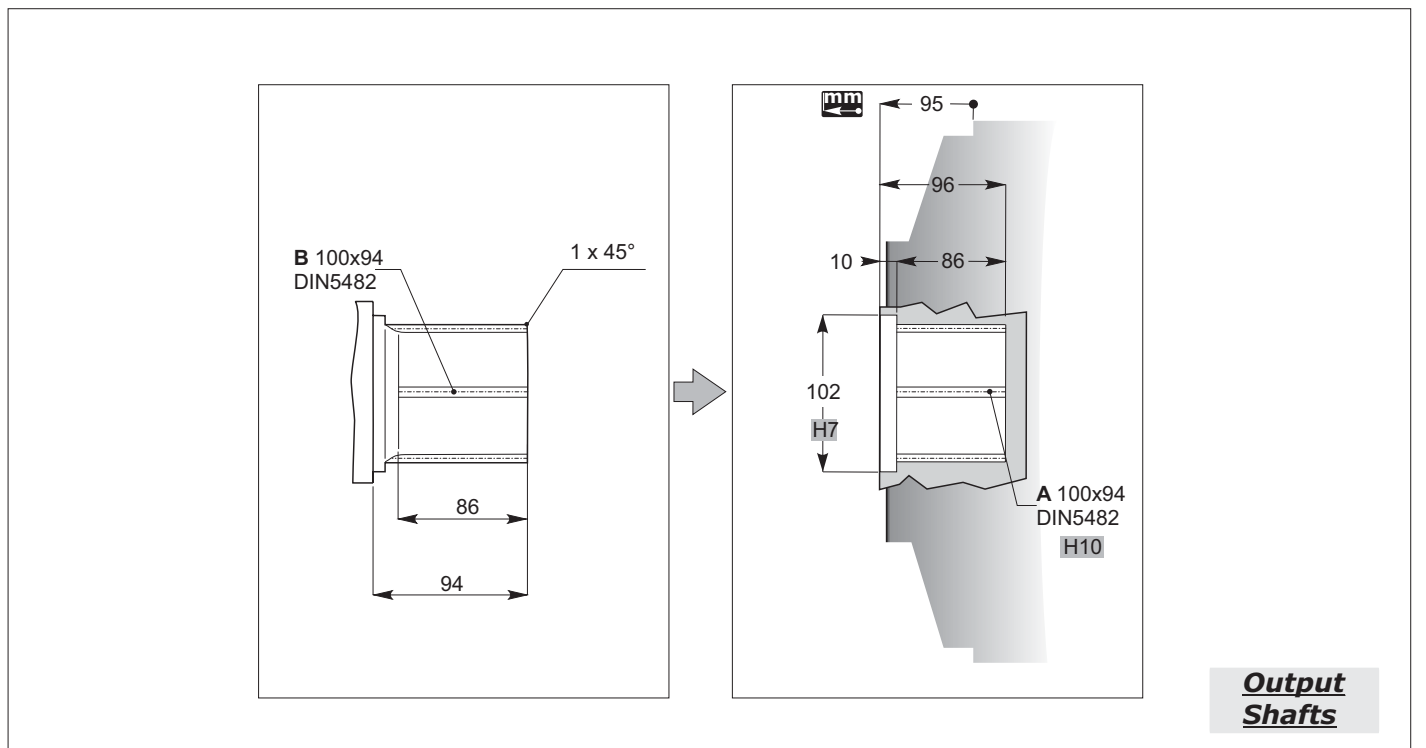
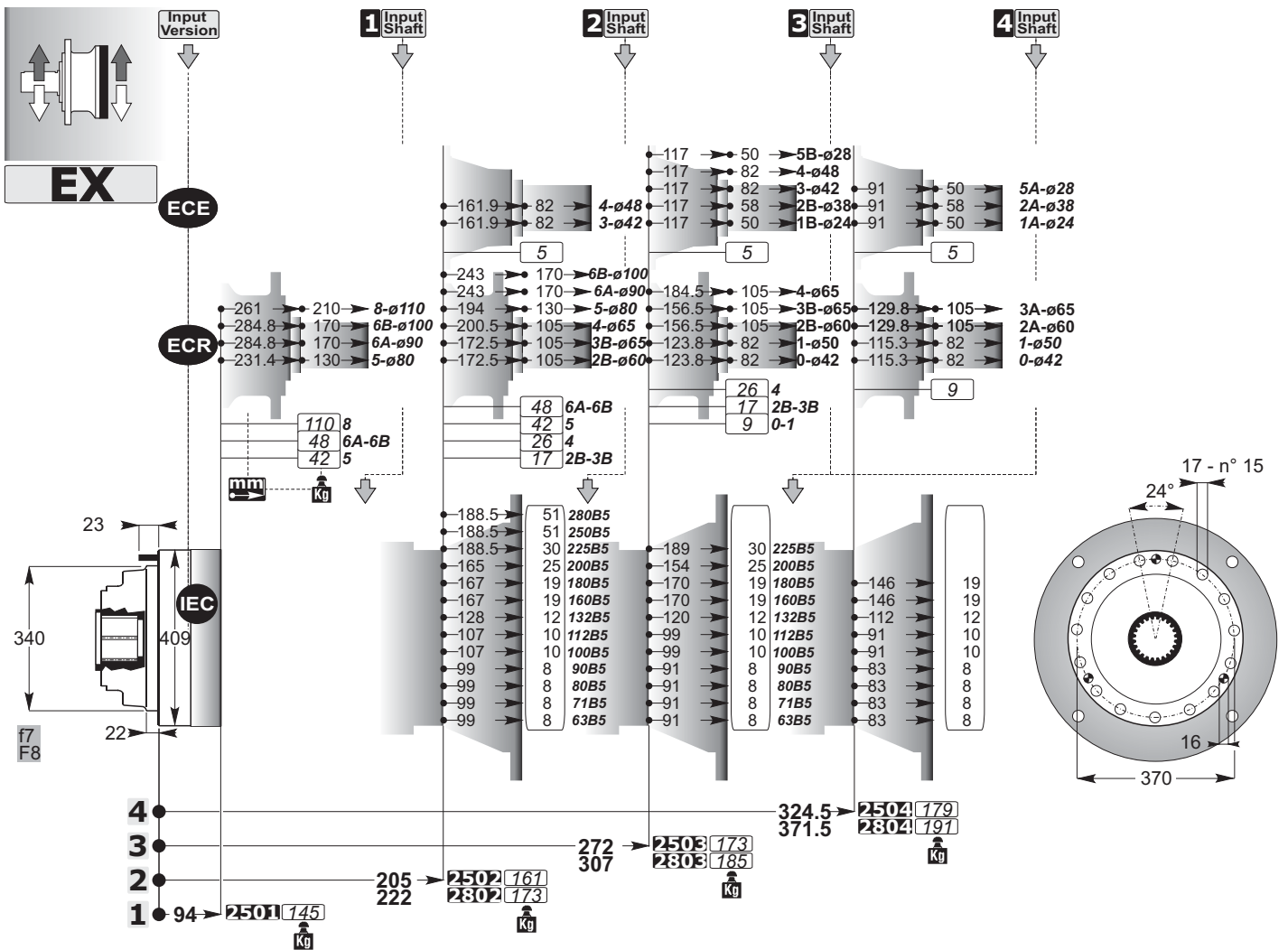


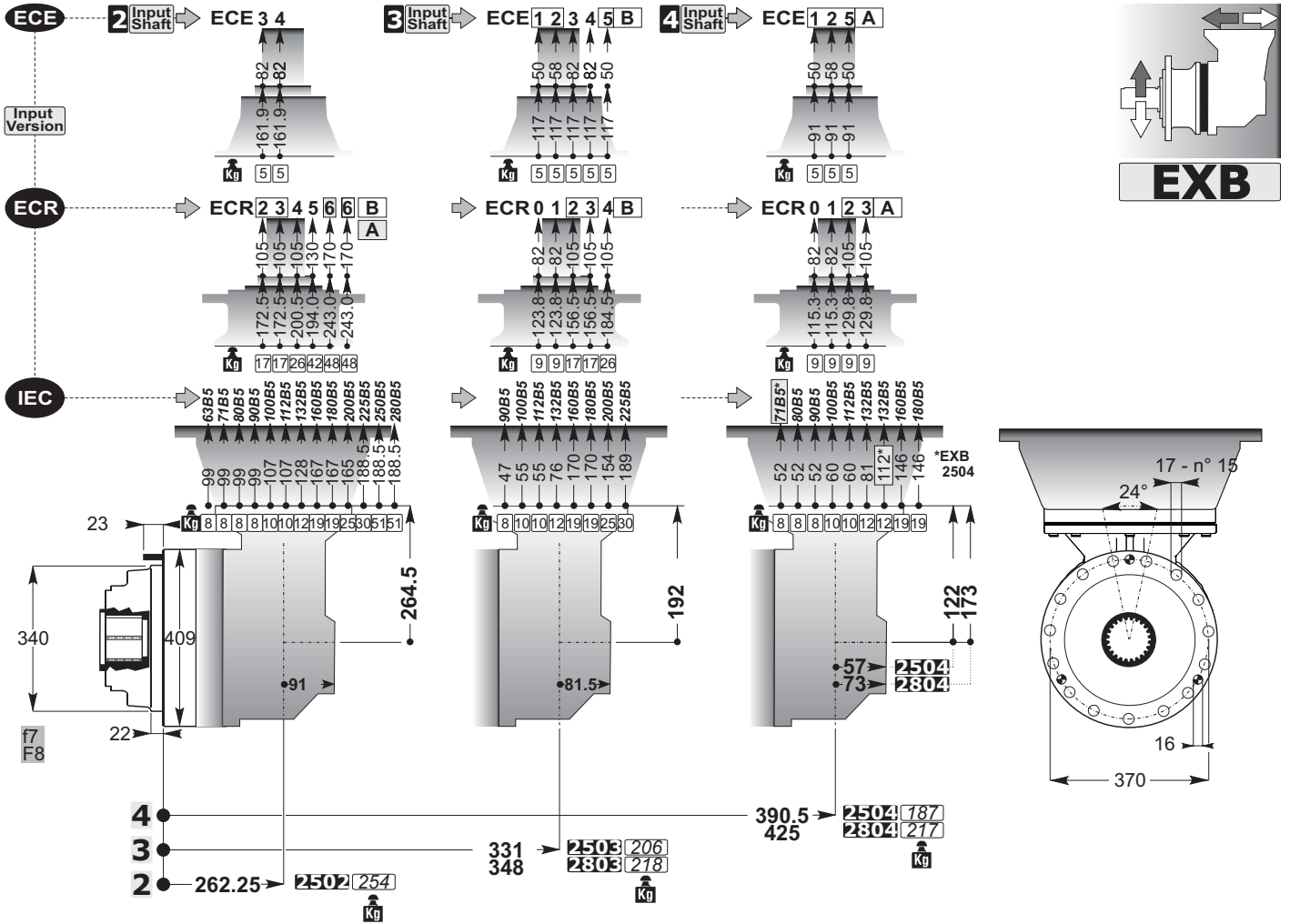


mm
C



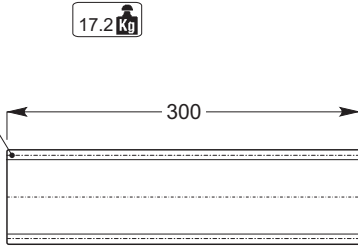






SD

B 100x94
DIN5482

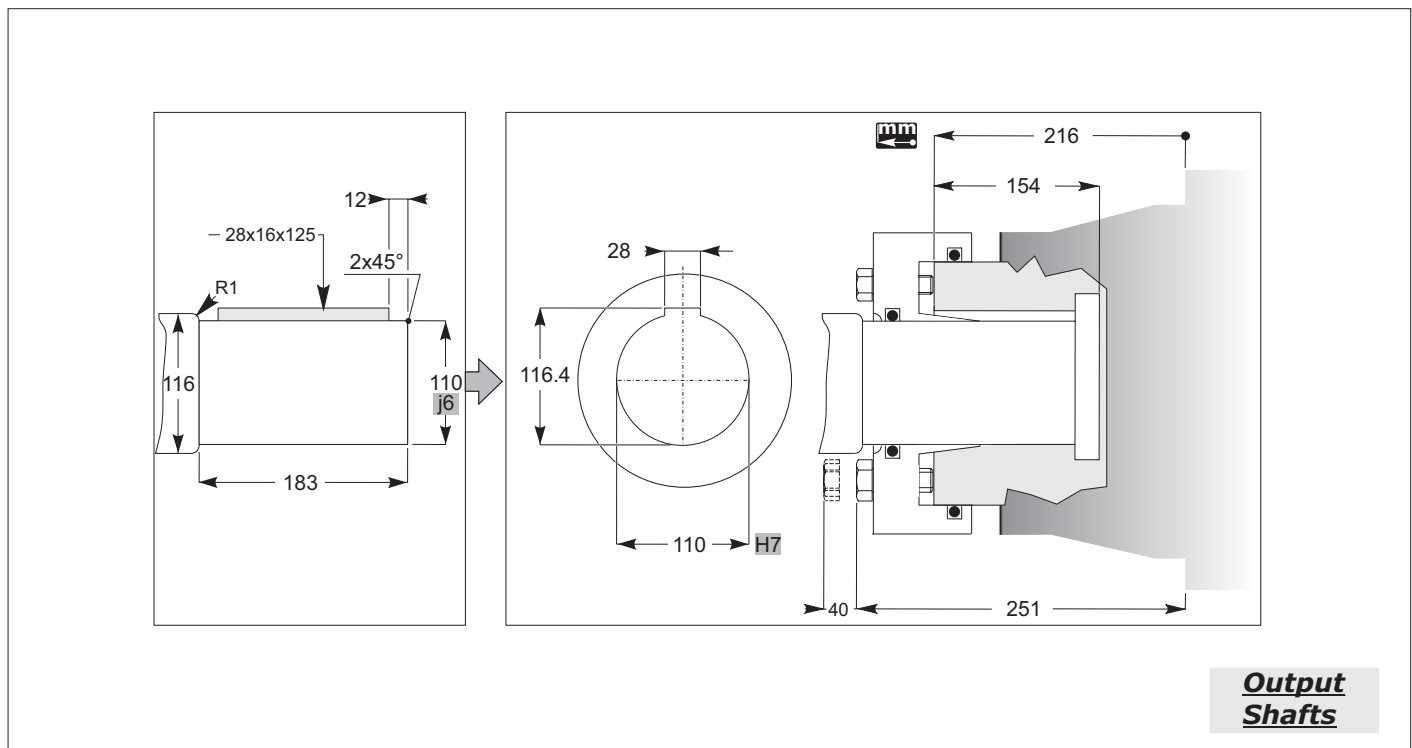
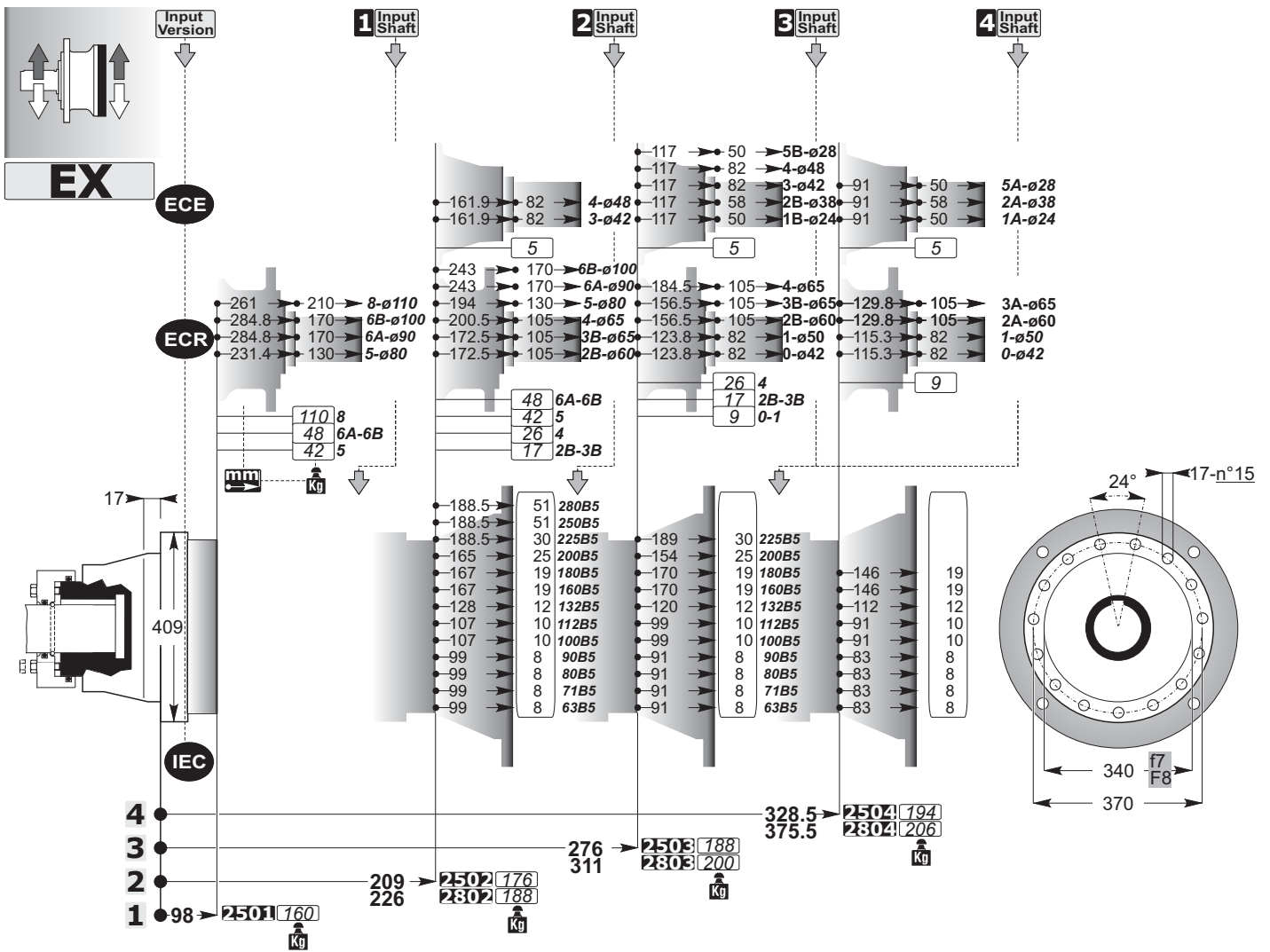


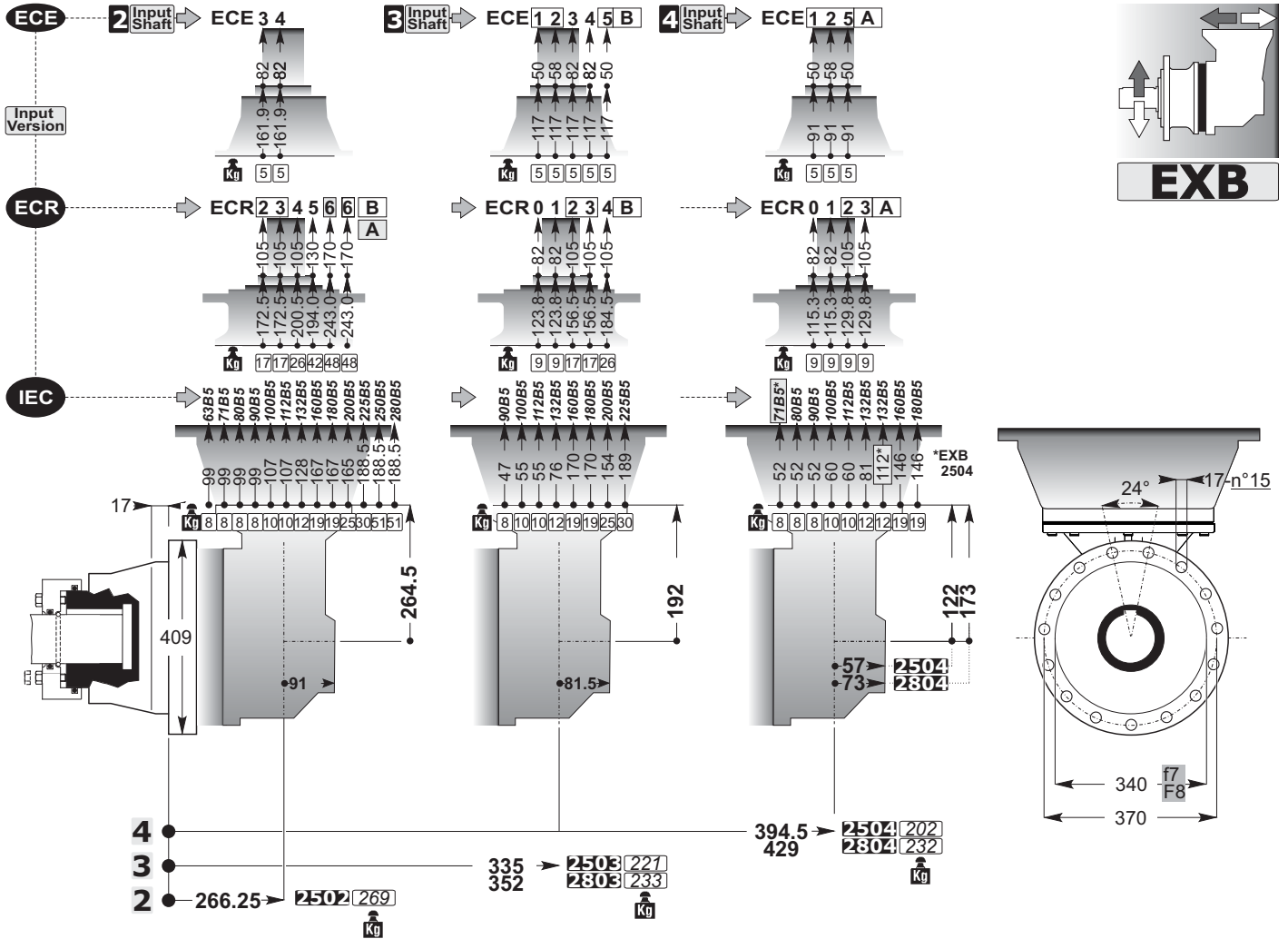
SD

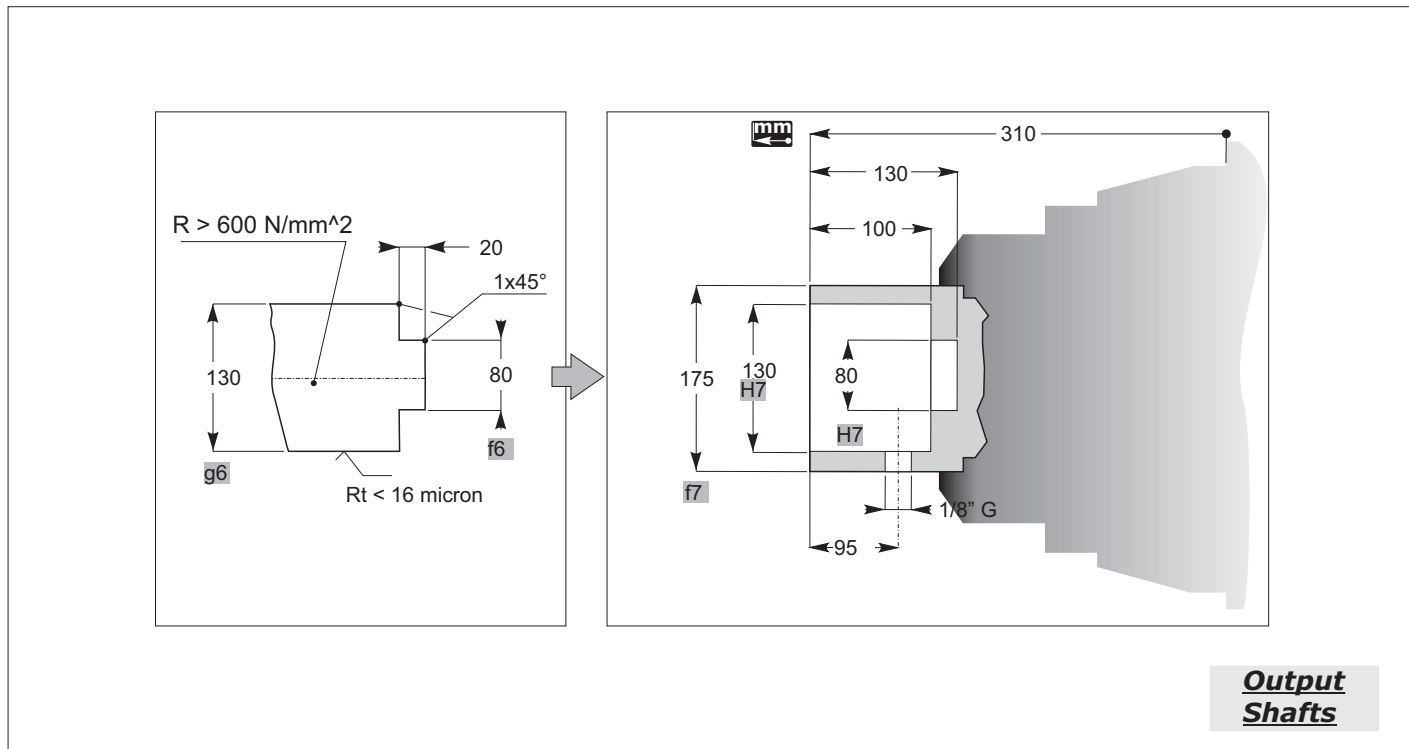
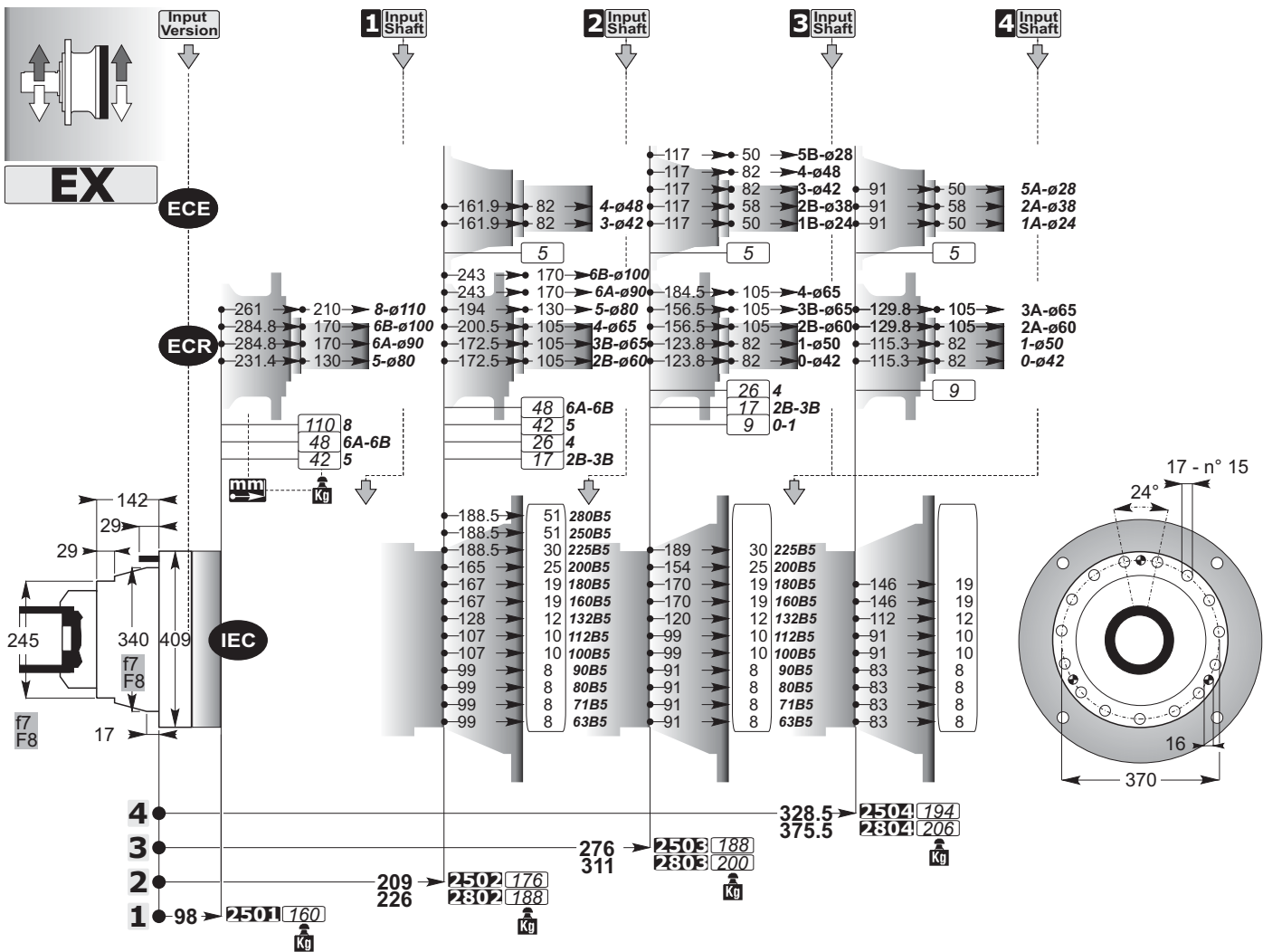


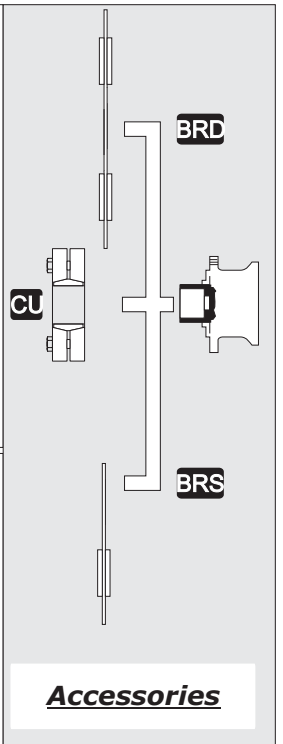
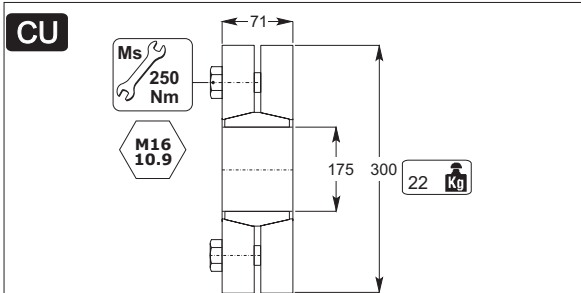
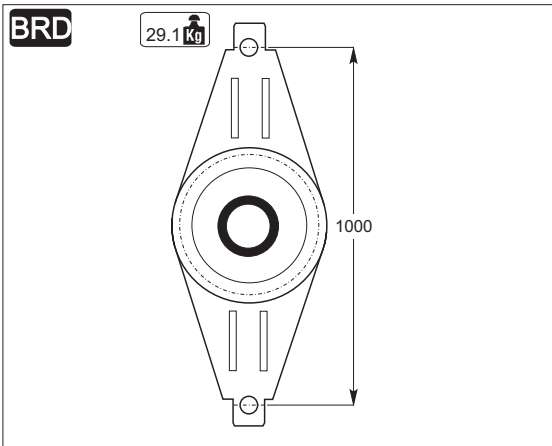
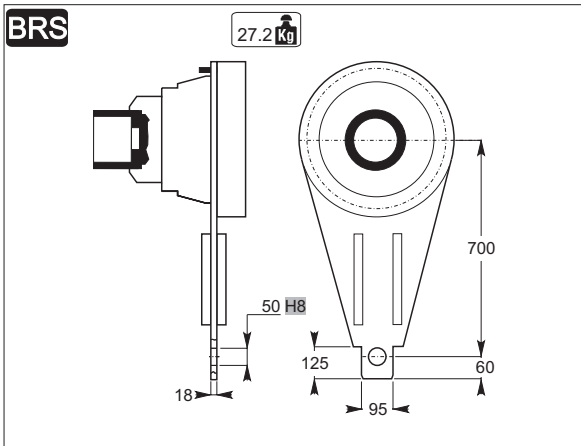
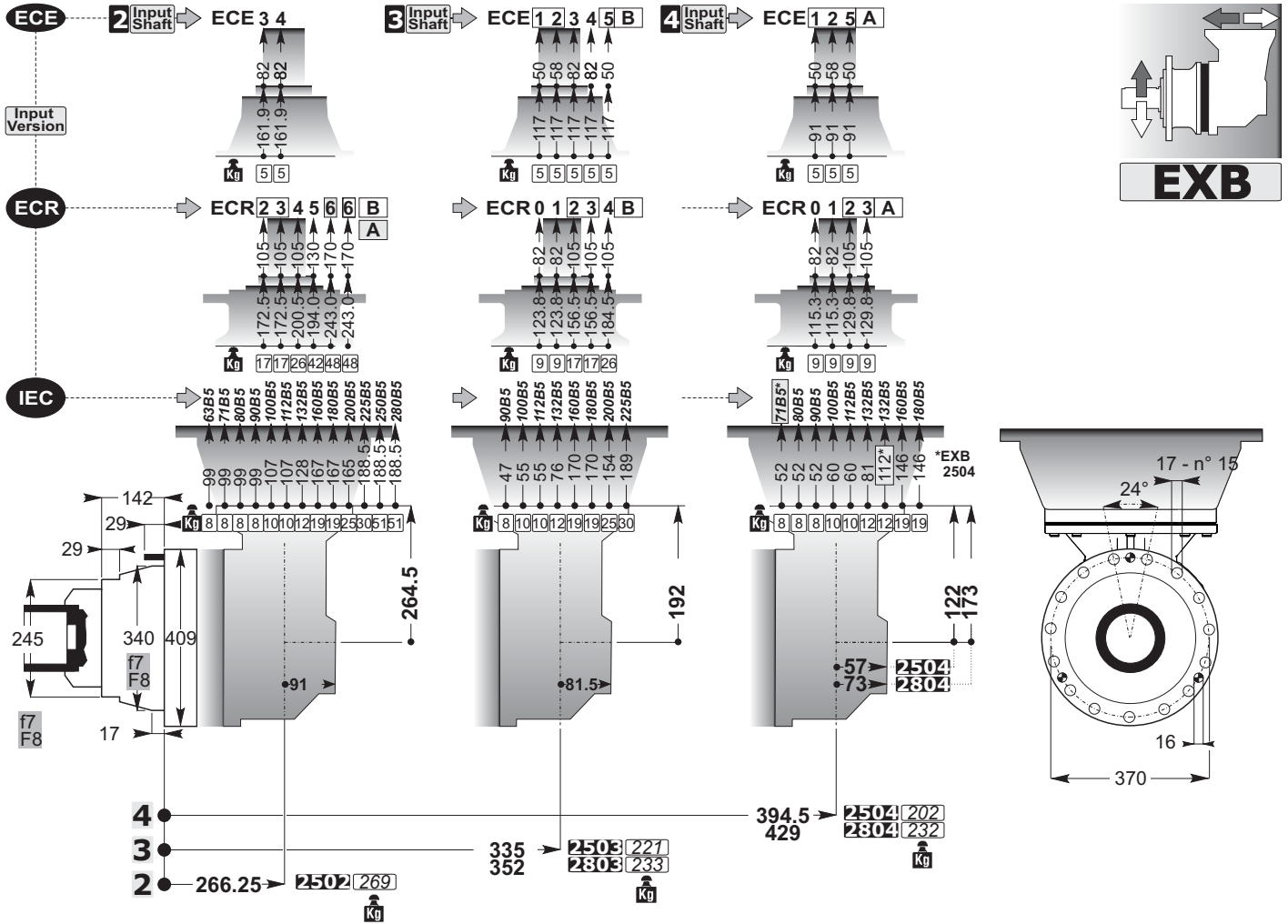
Accessories

mm
C

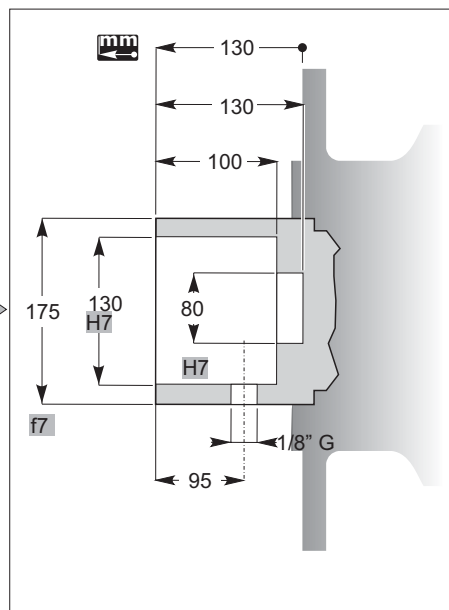
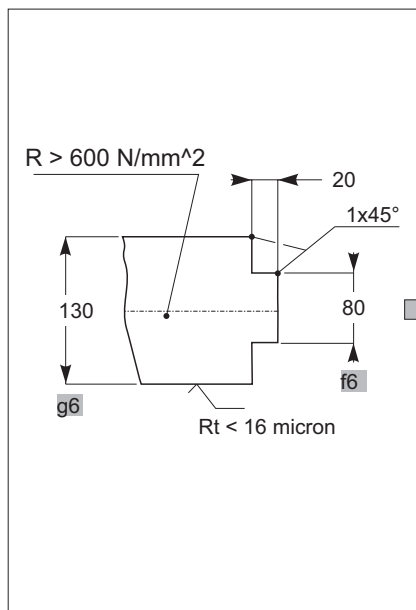
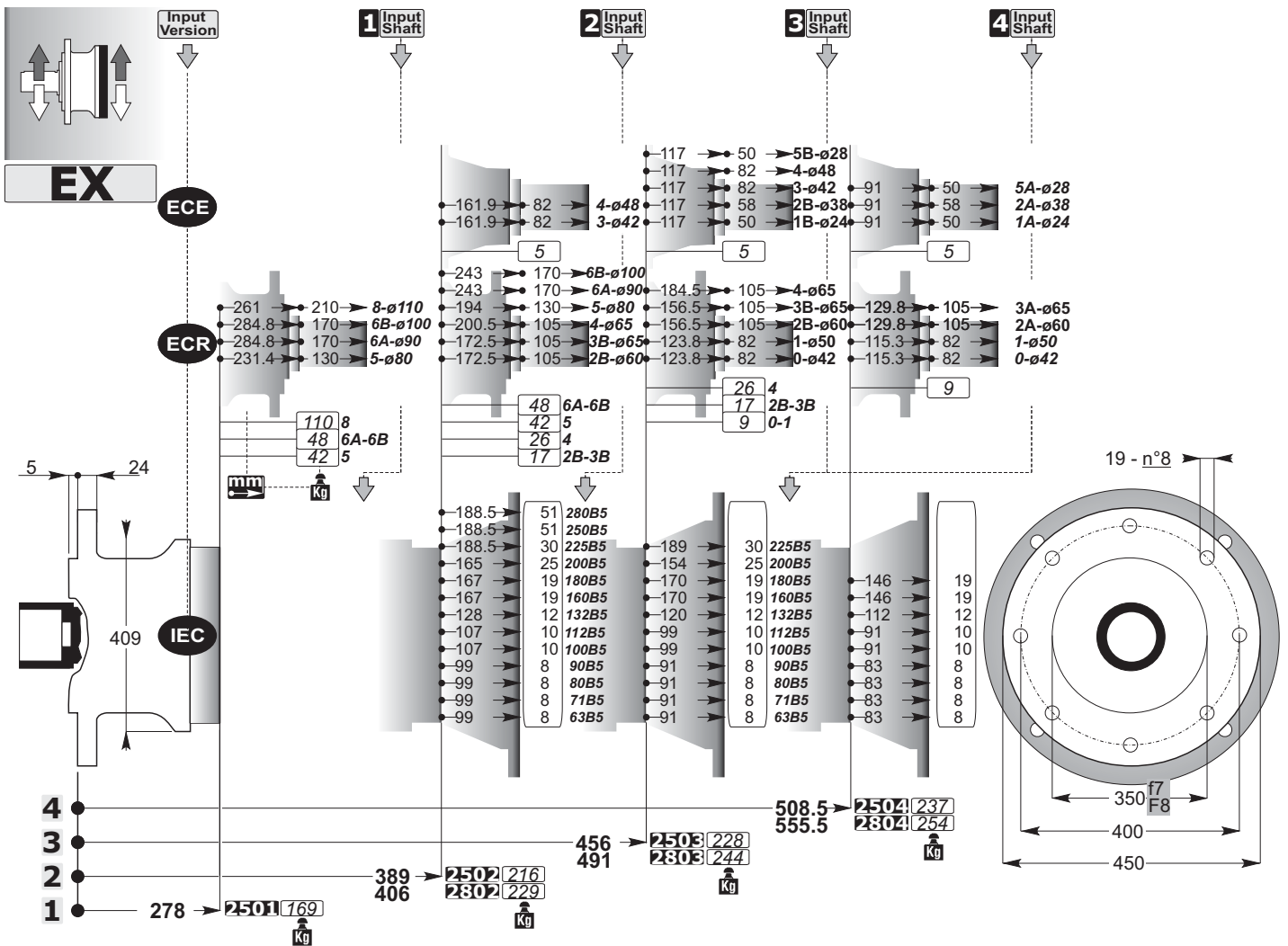




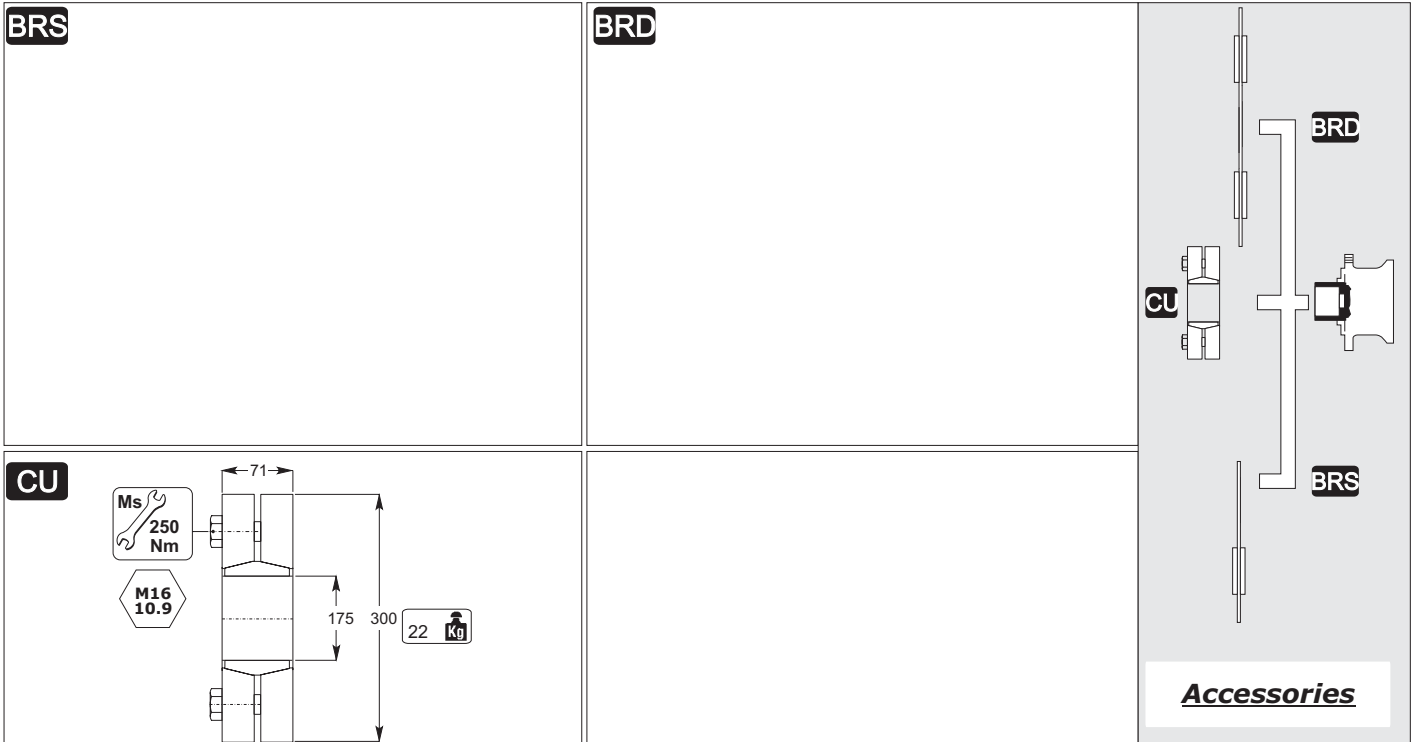
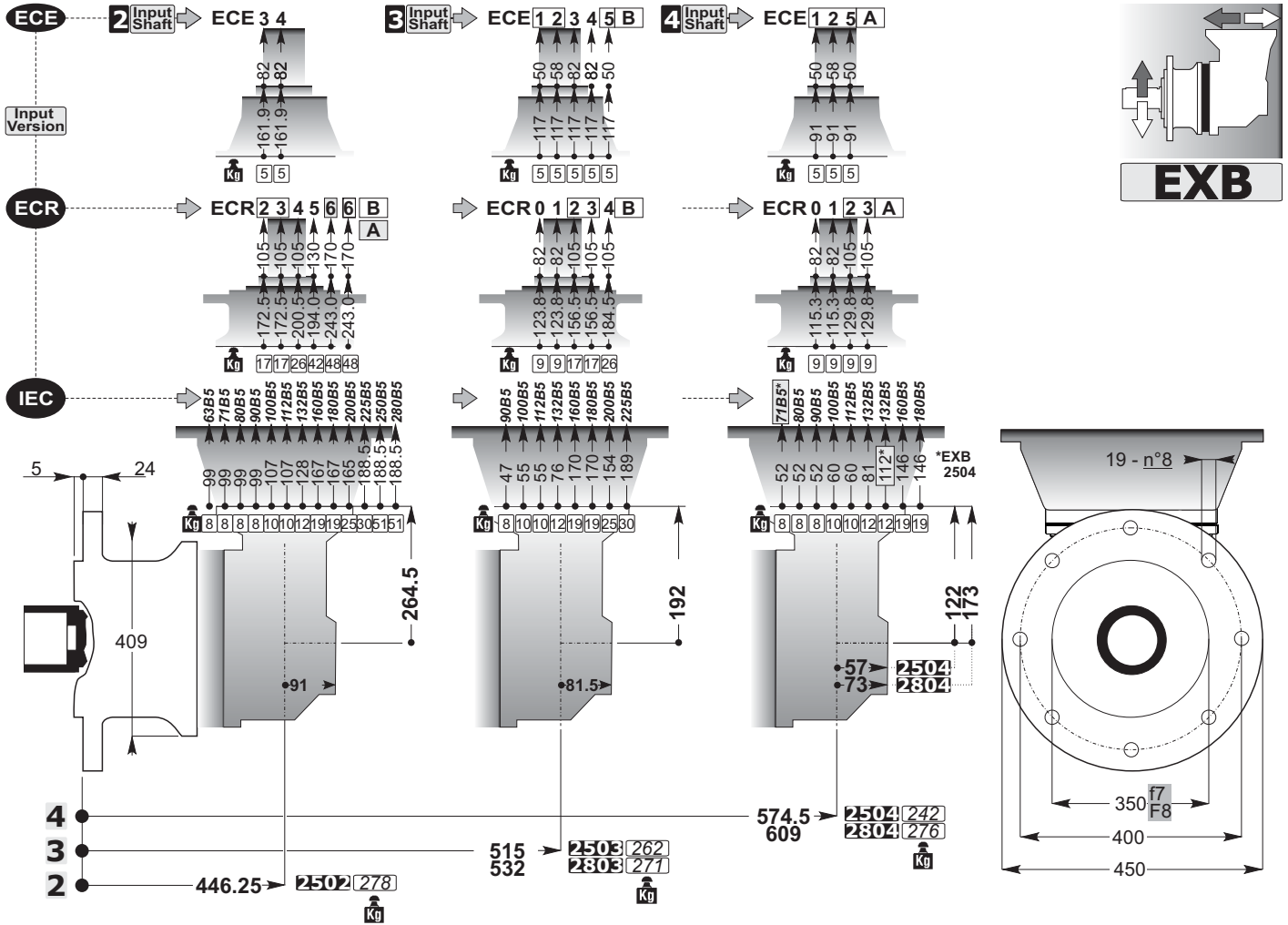


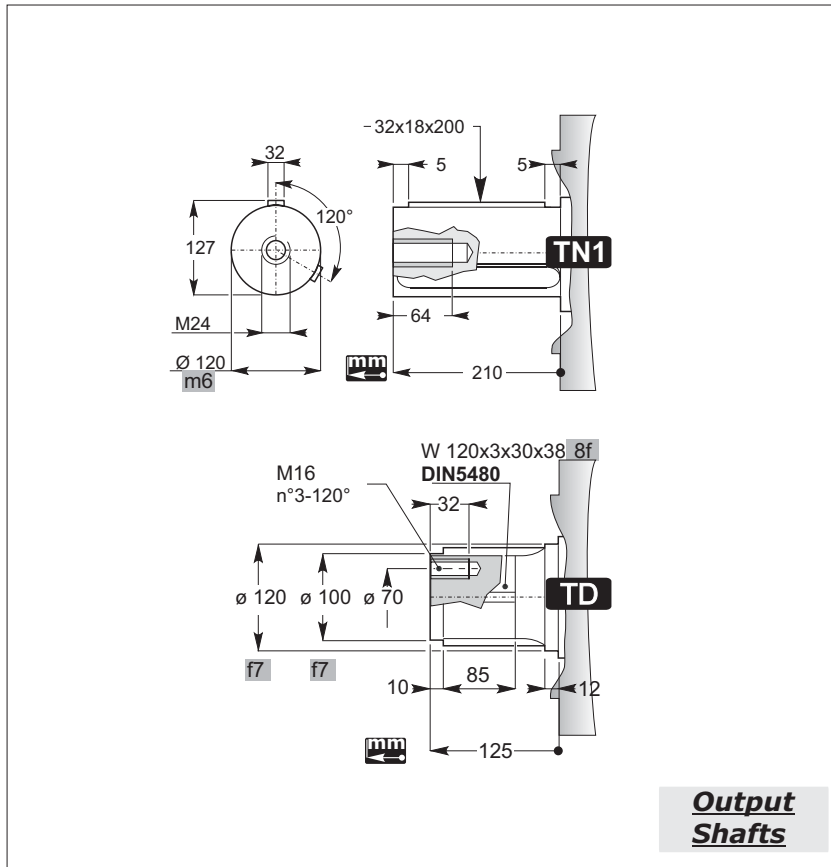
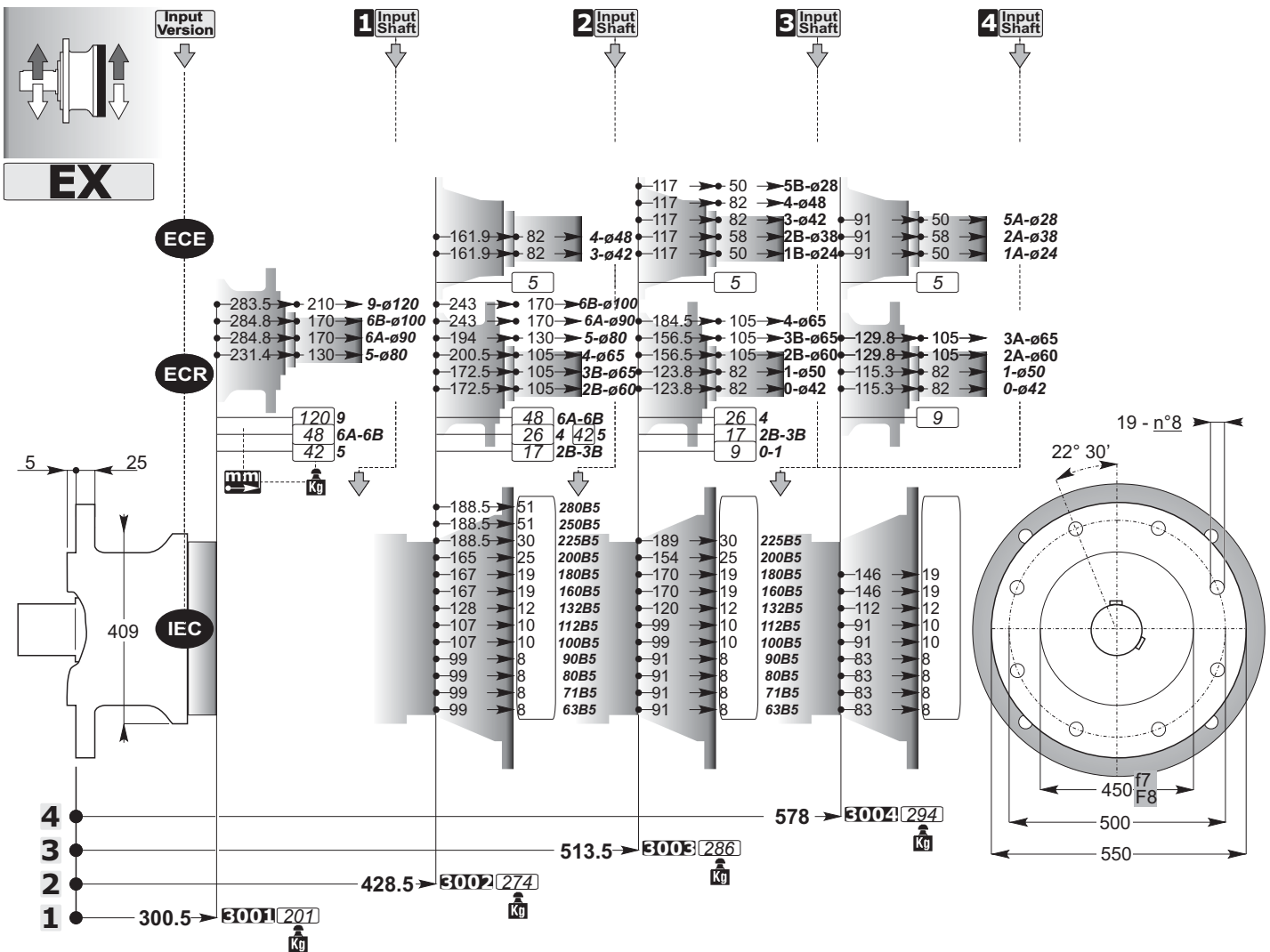


mm C

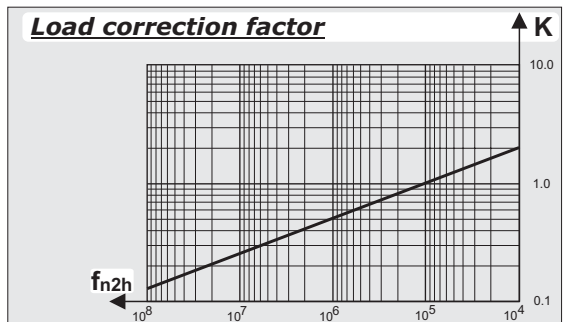
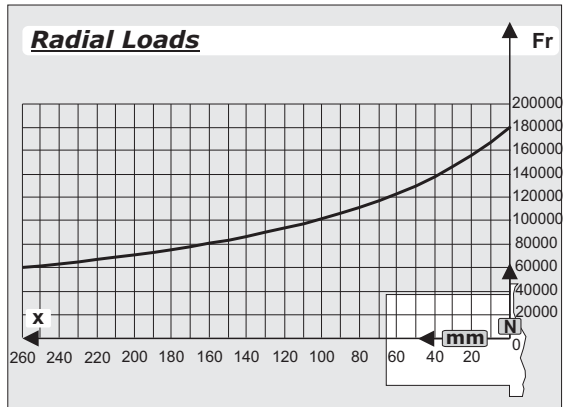


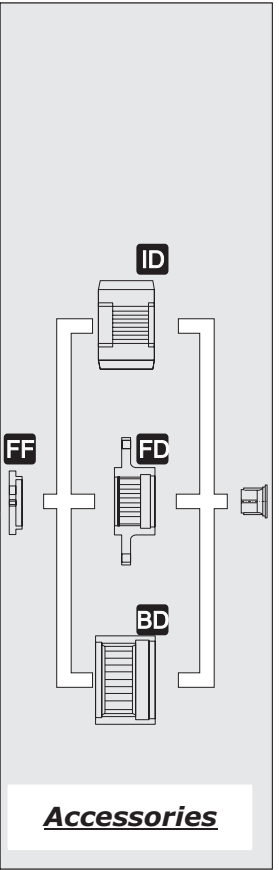
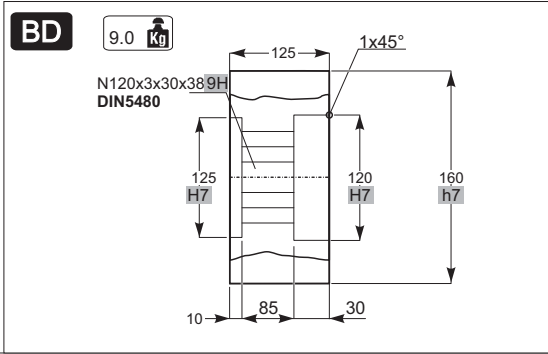
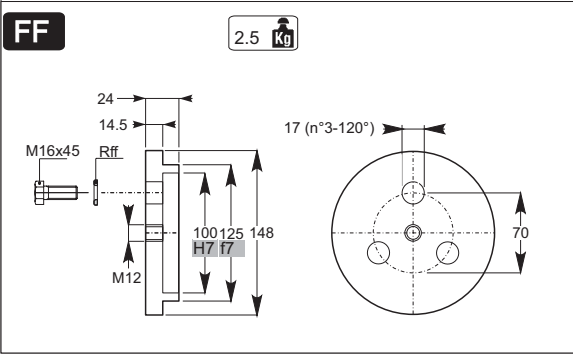
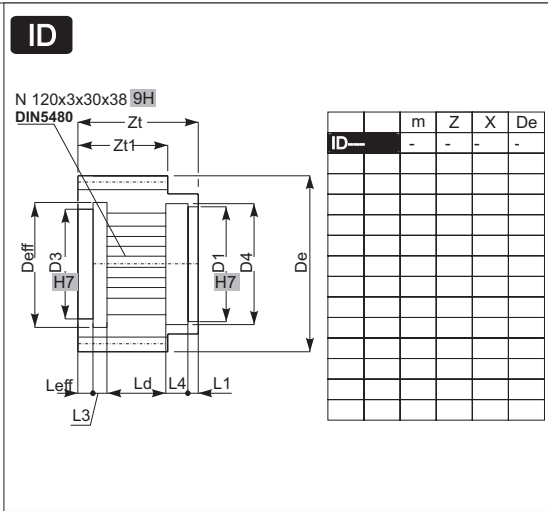
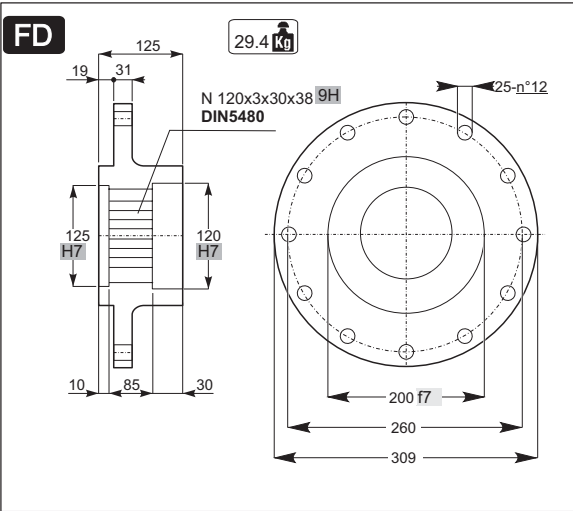
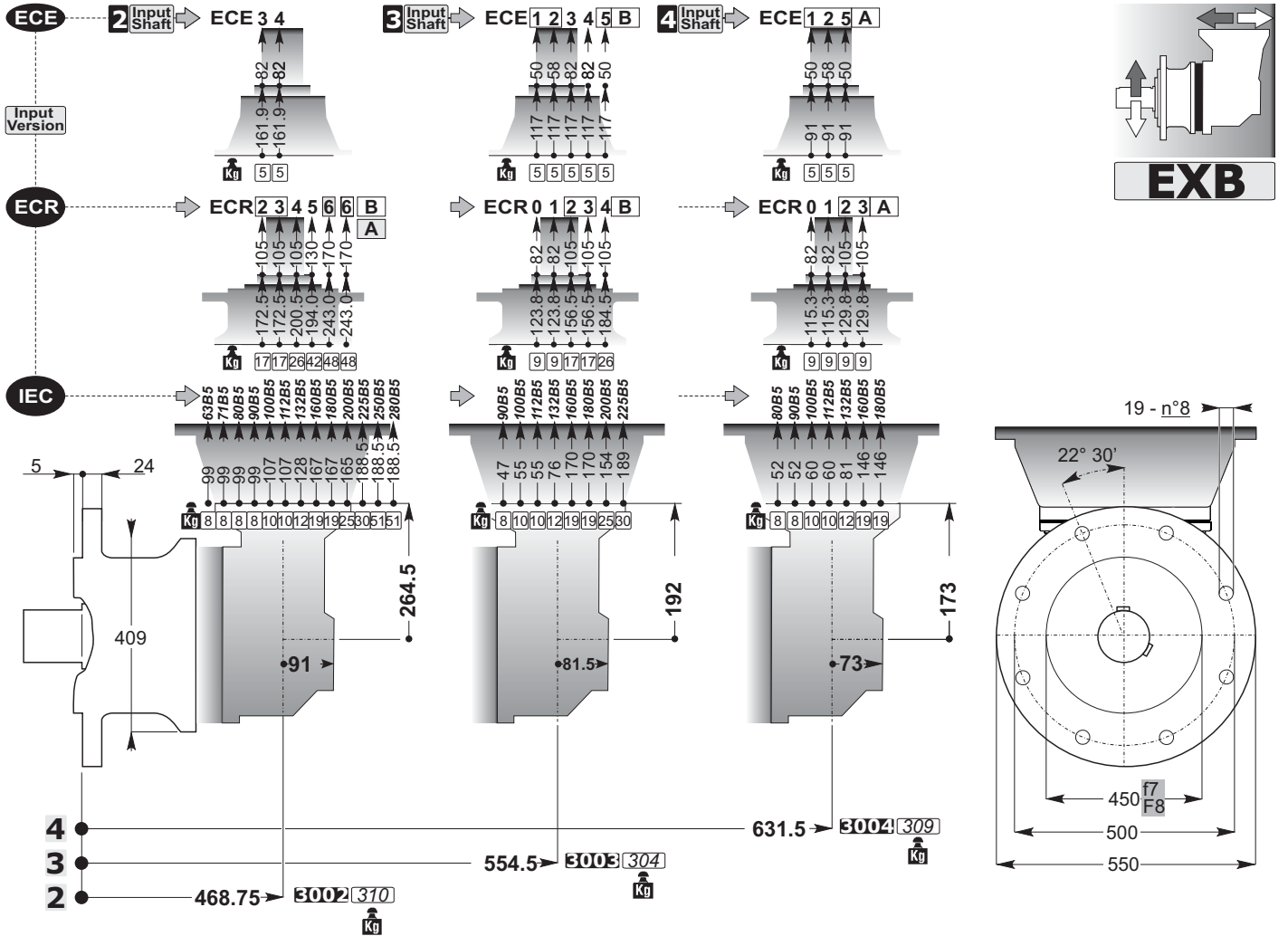
Output Shafts



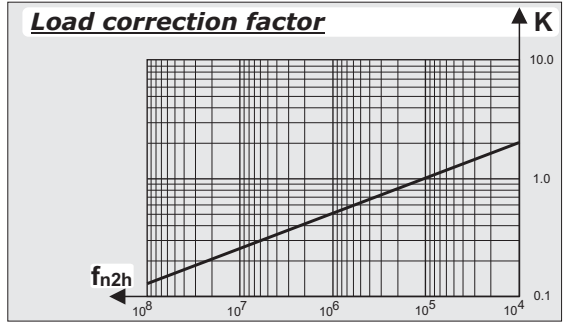
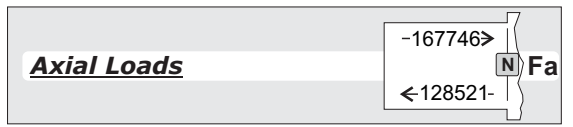
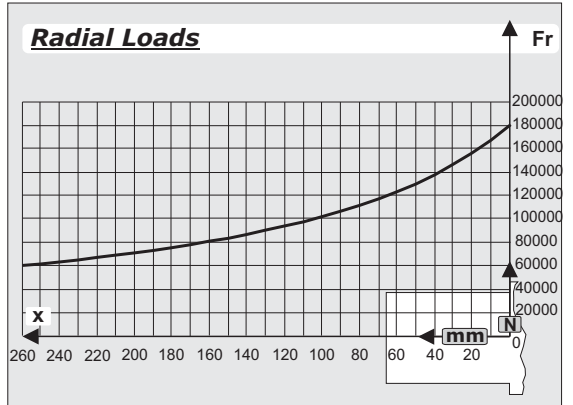
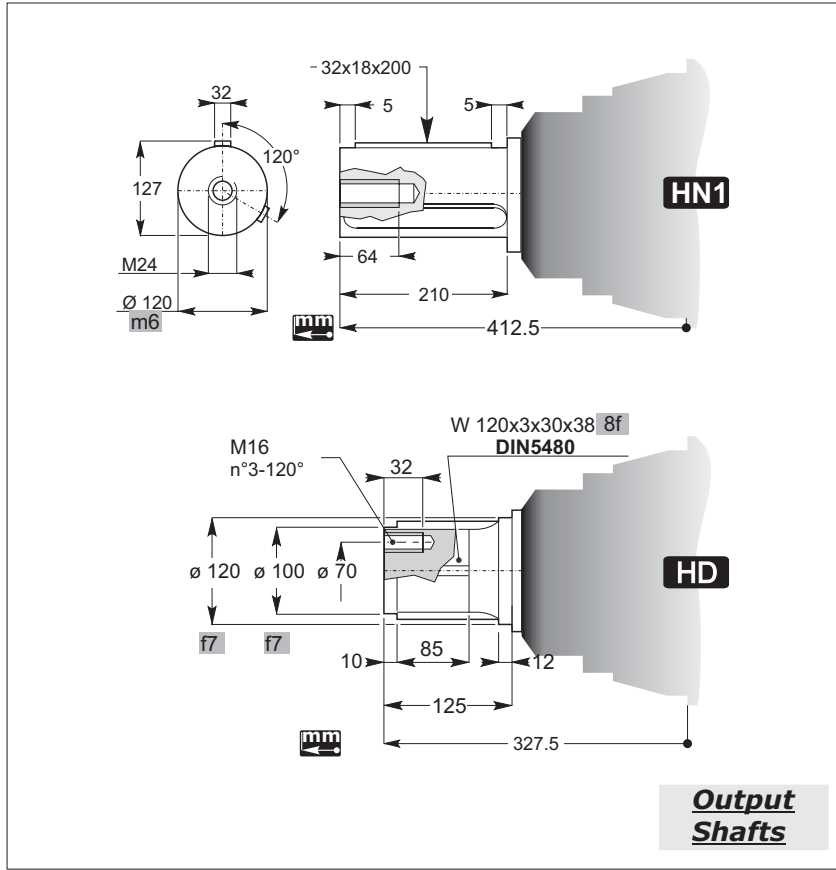
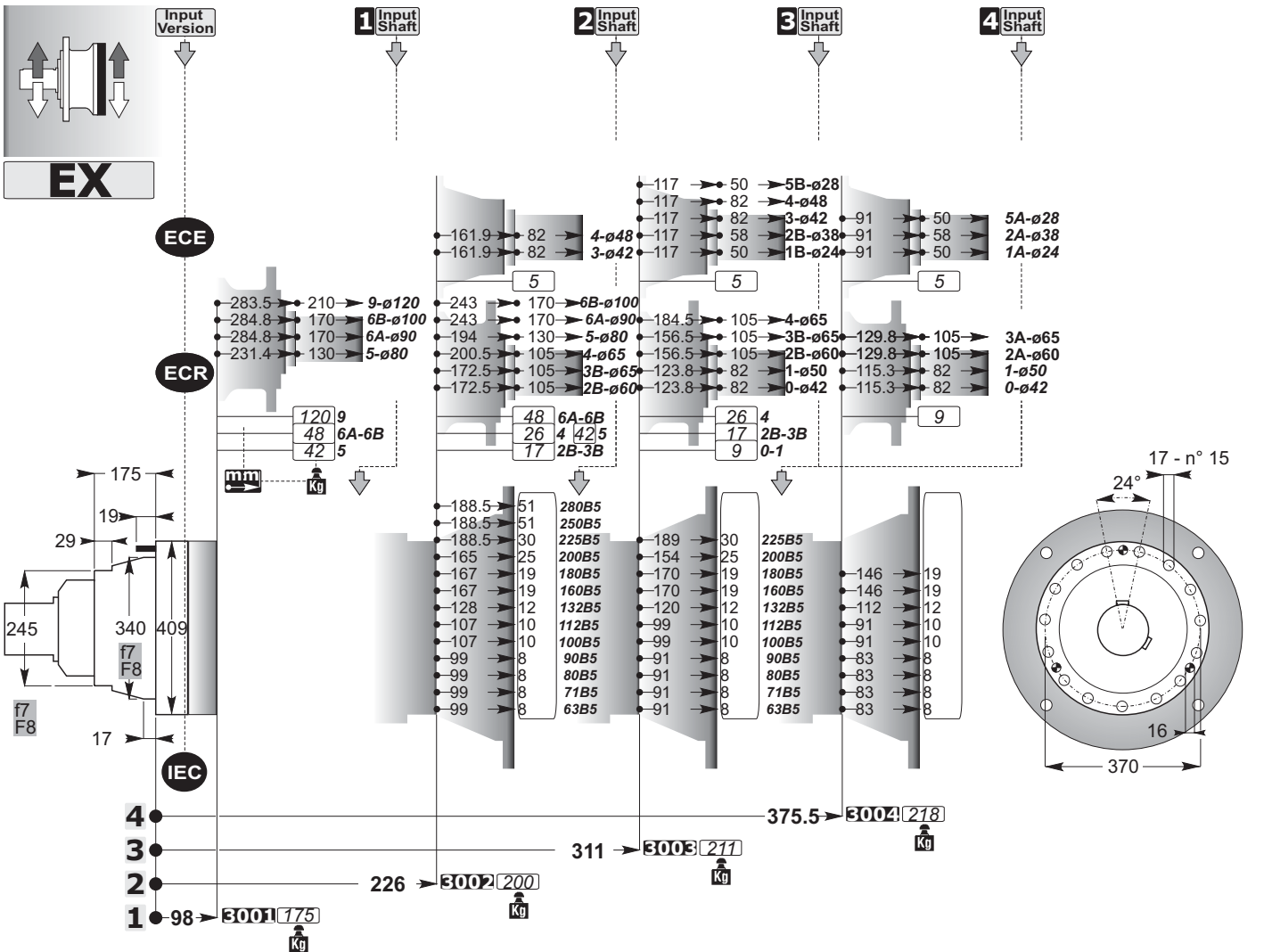


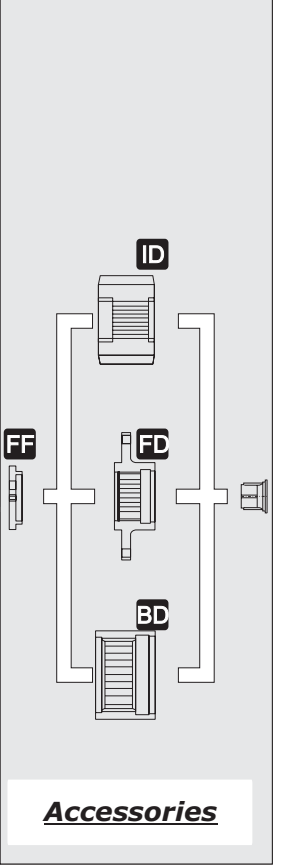
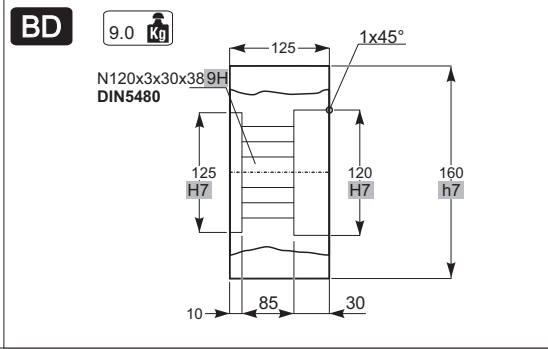
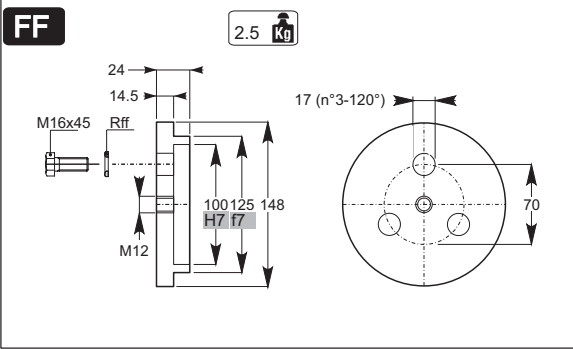
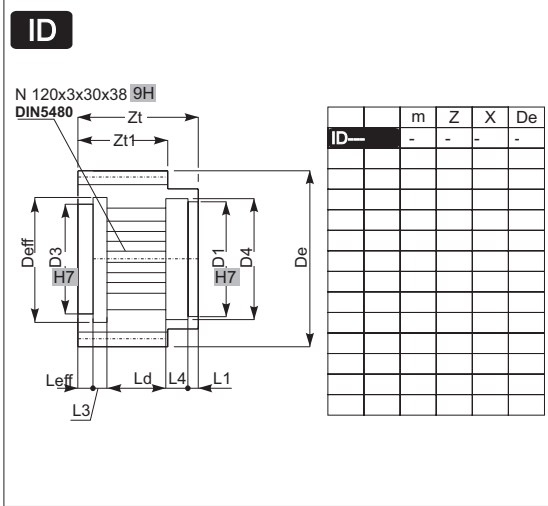
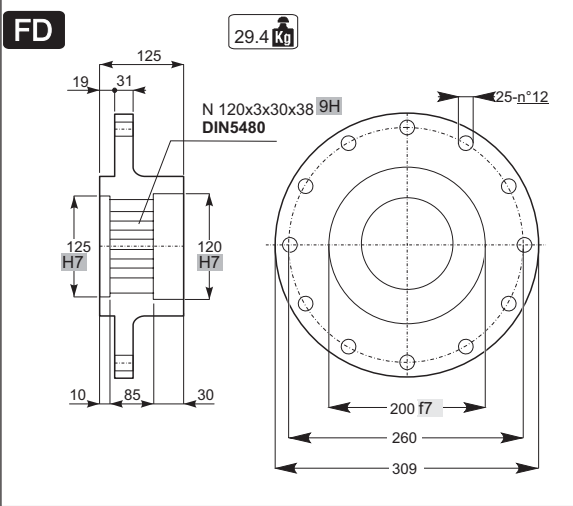
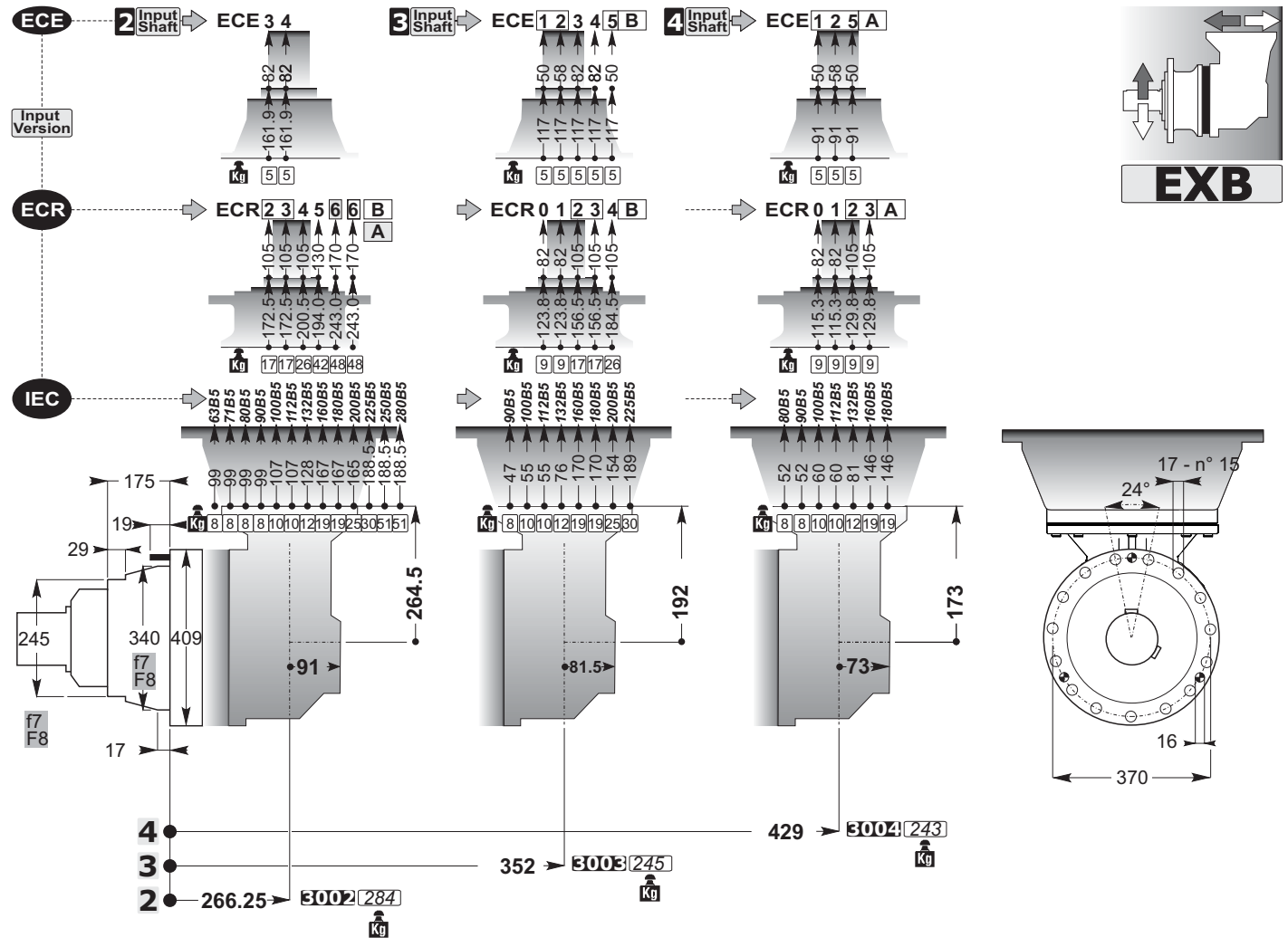
Output Shafts



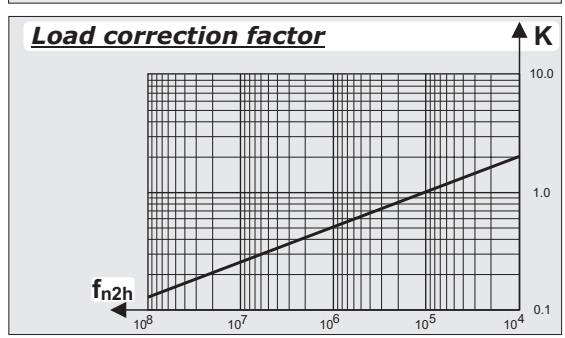
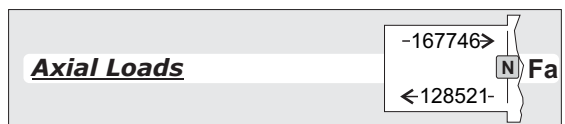
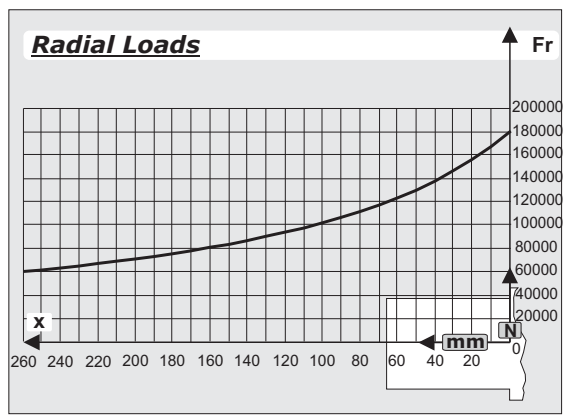
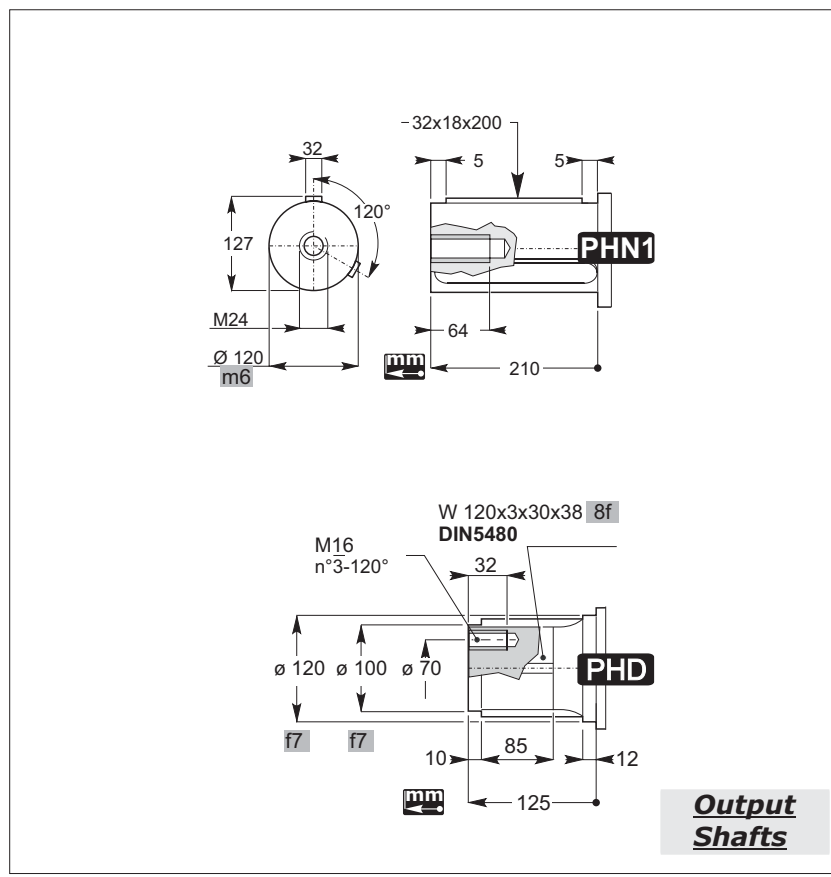
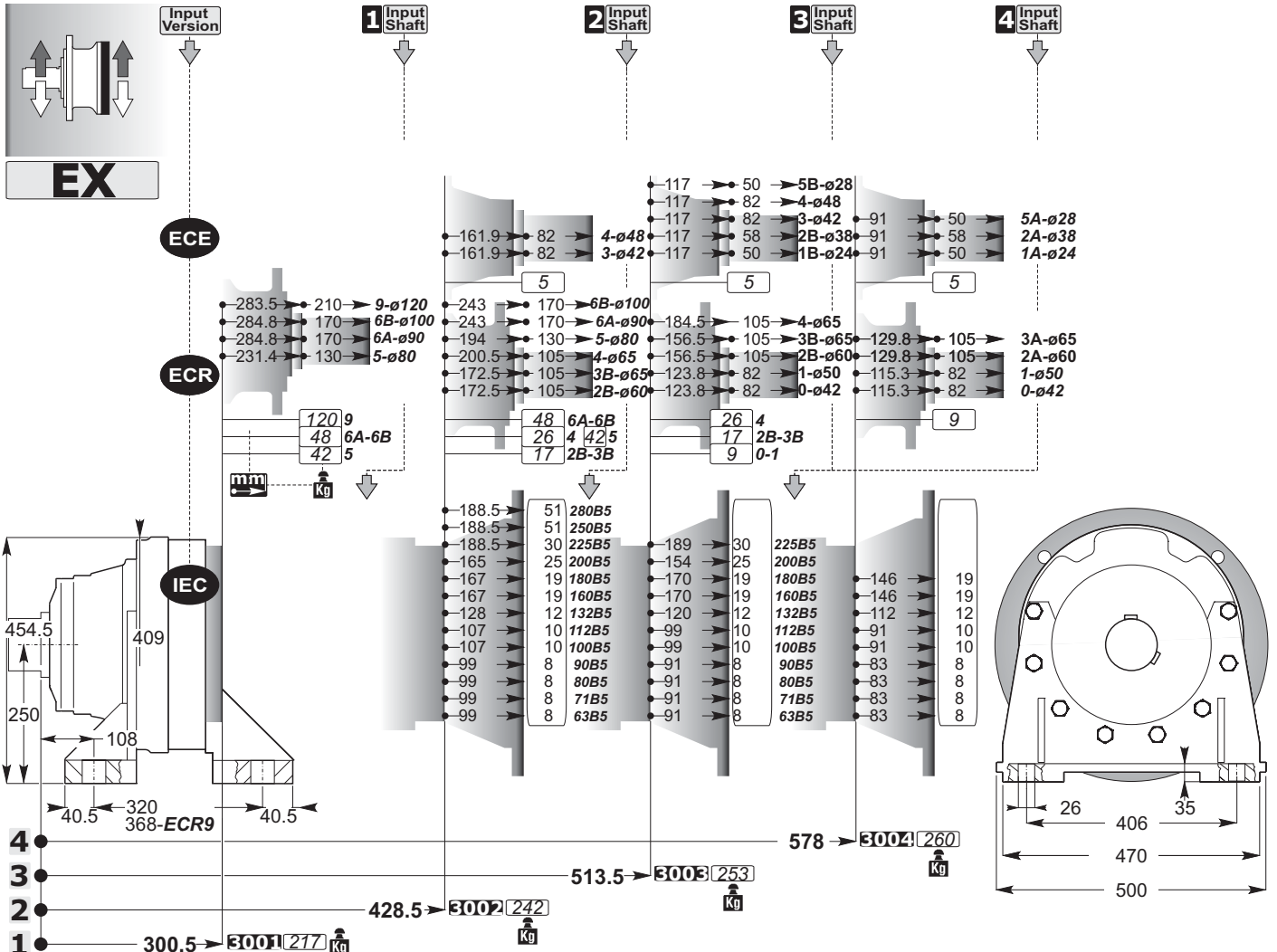


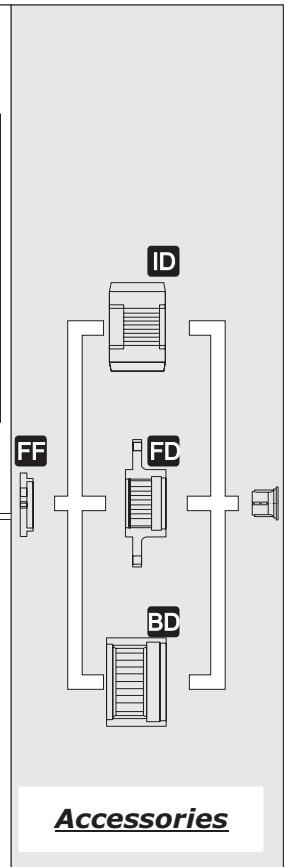
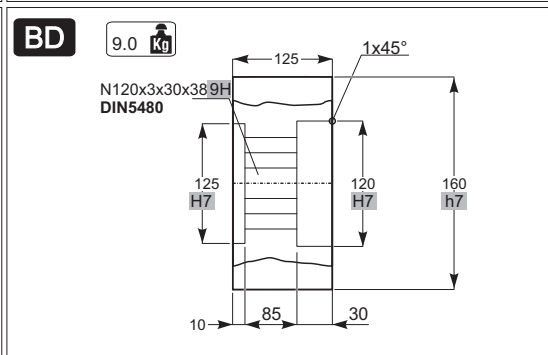
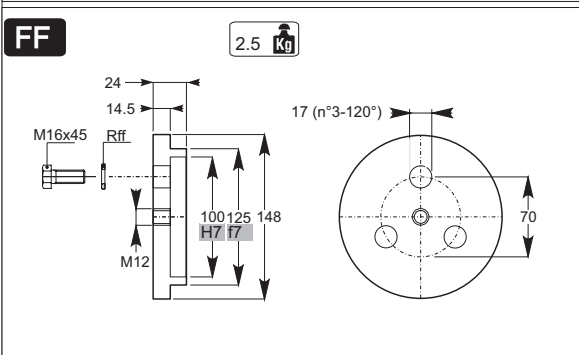
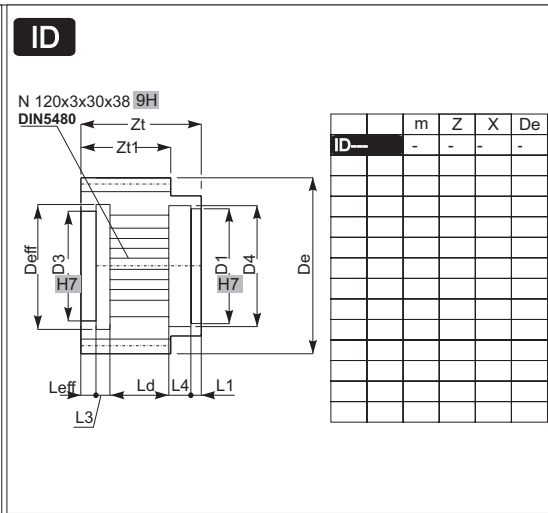
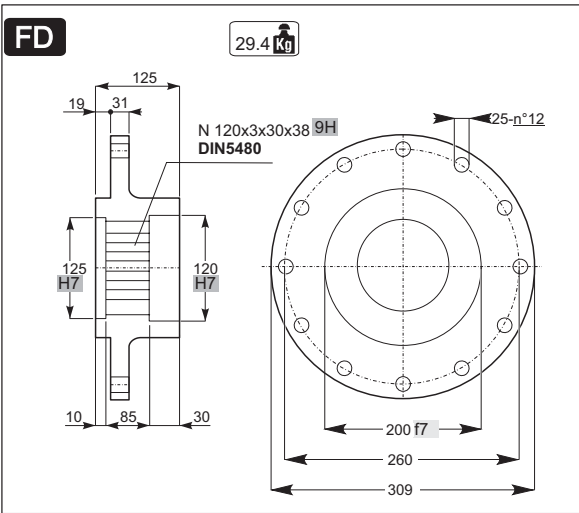
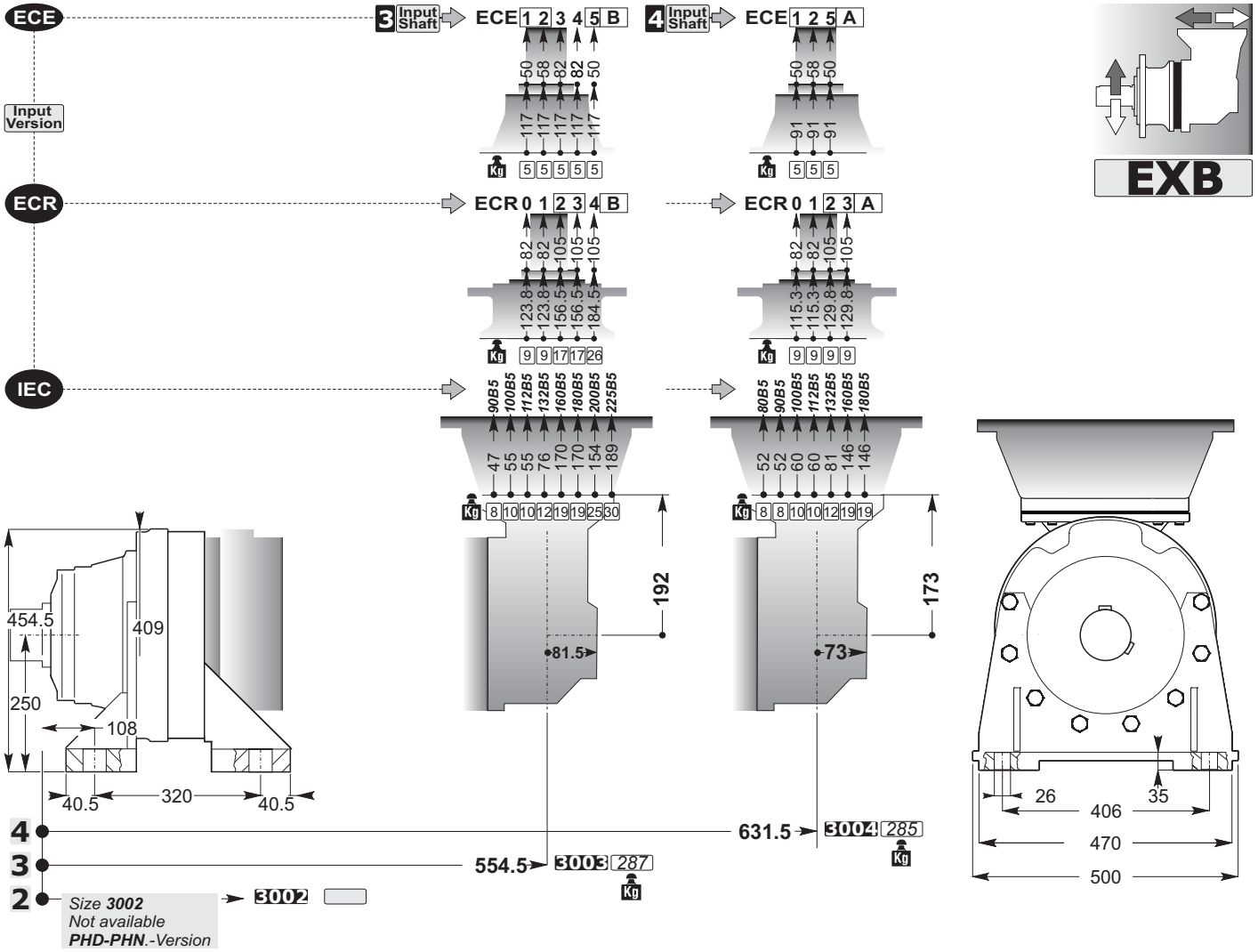
mm
C



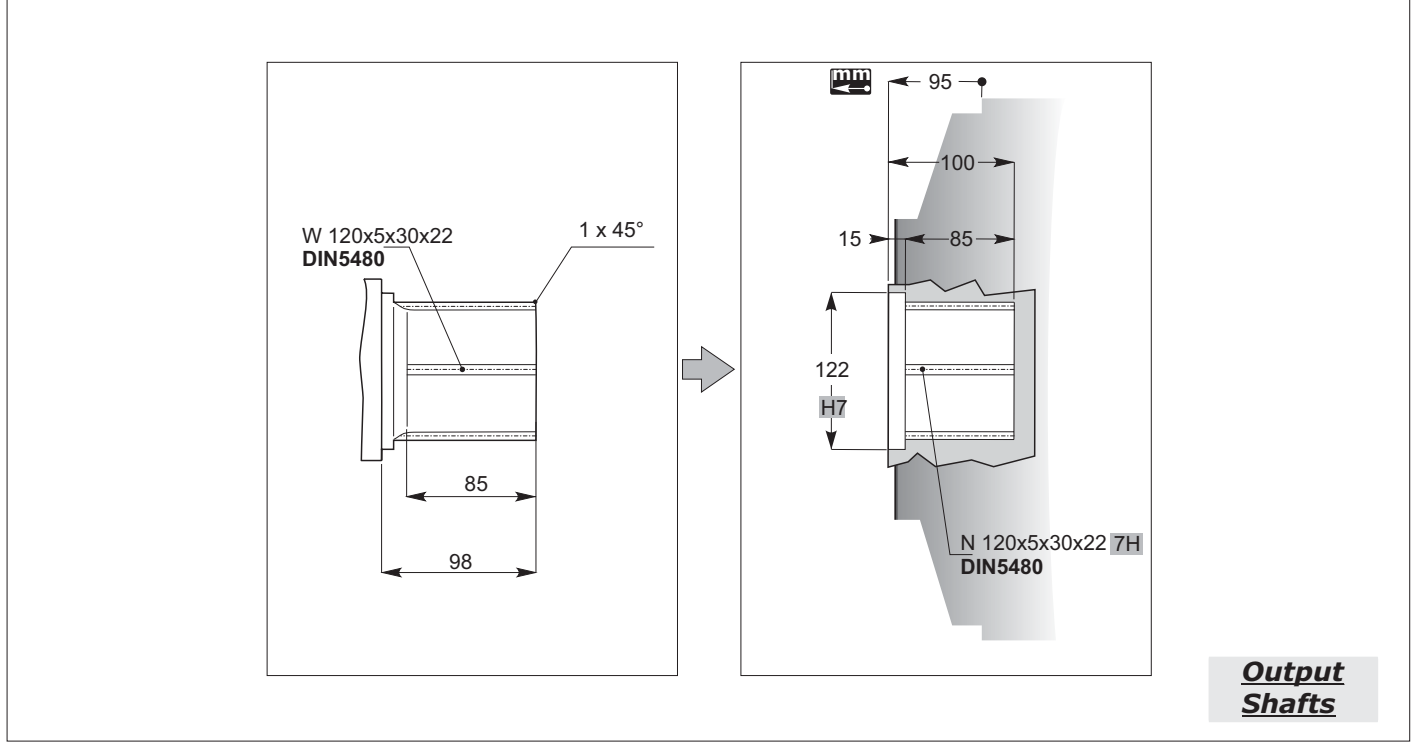
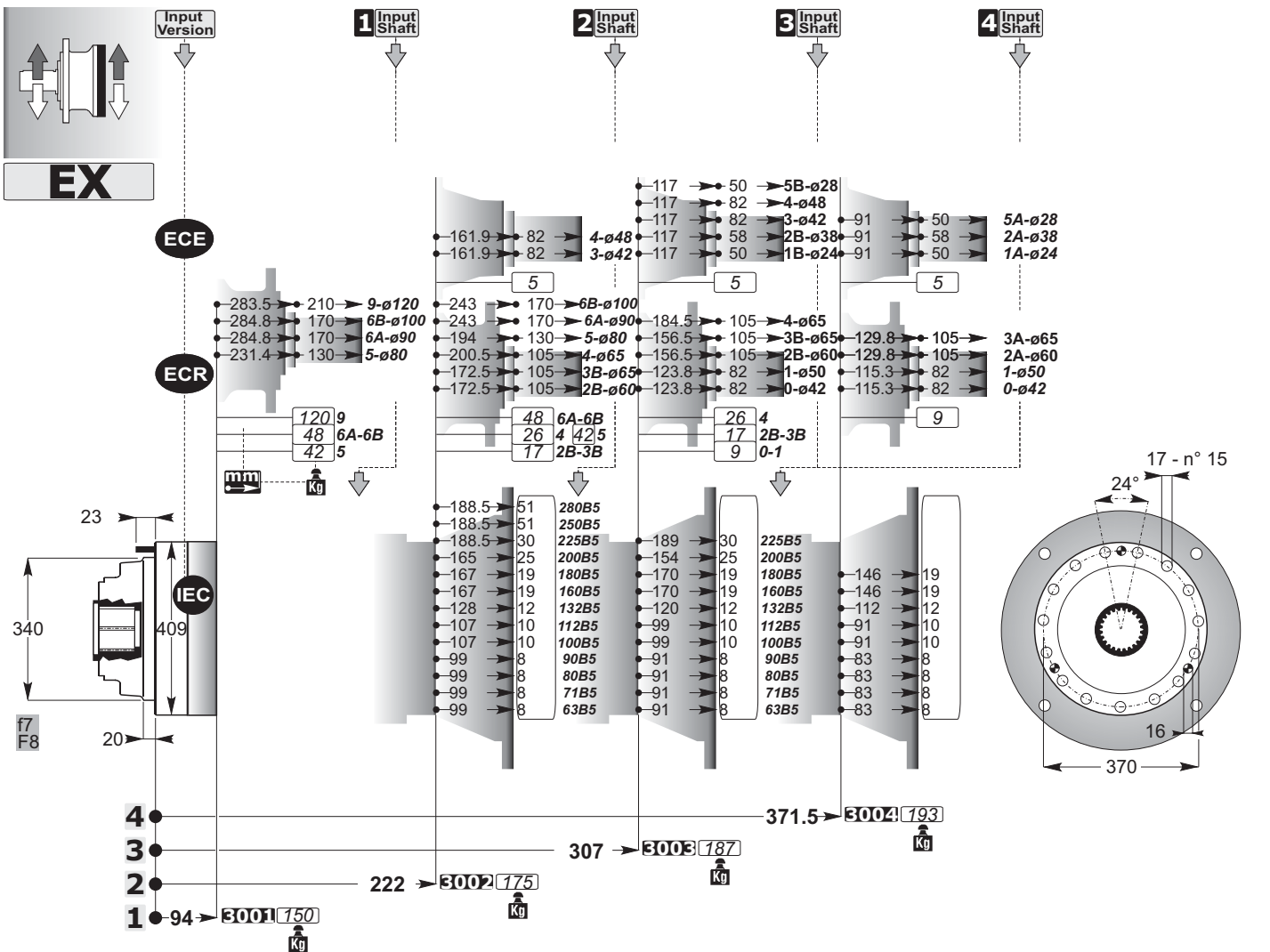


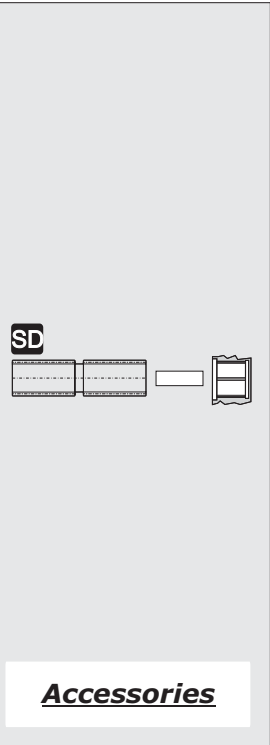
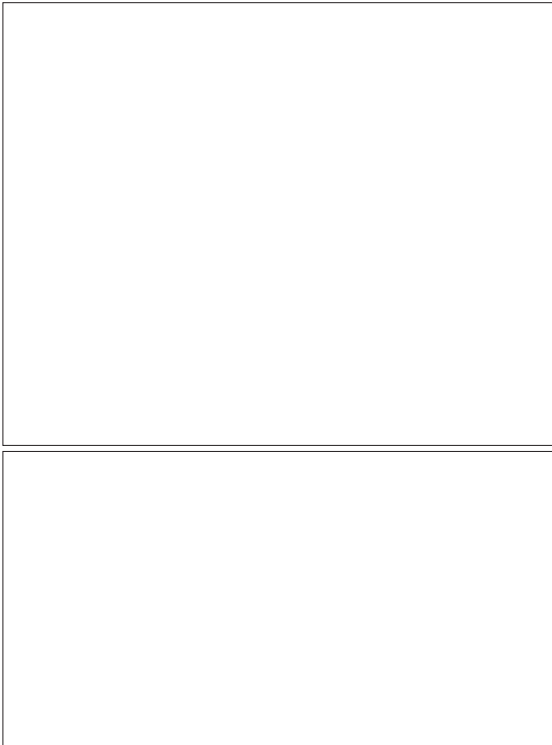
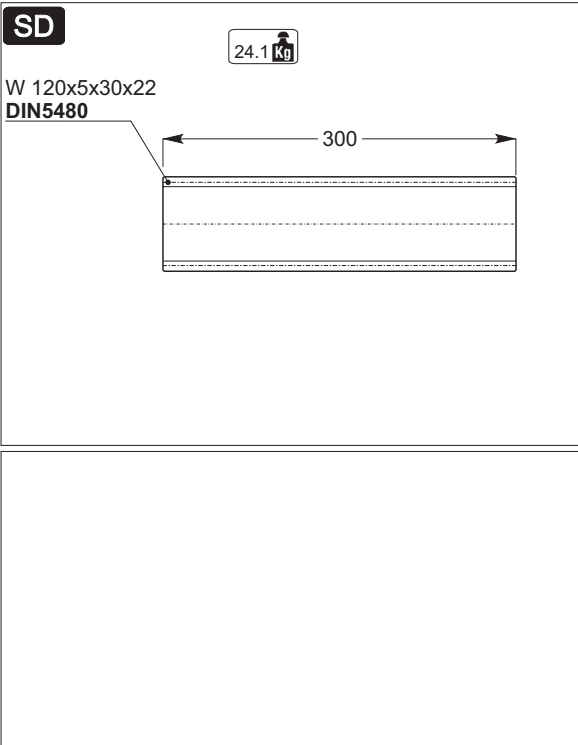
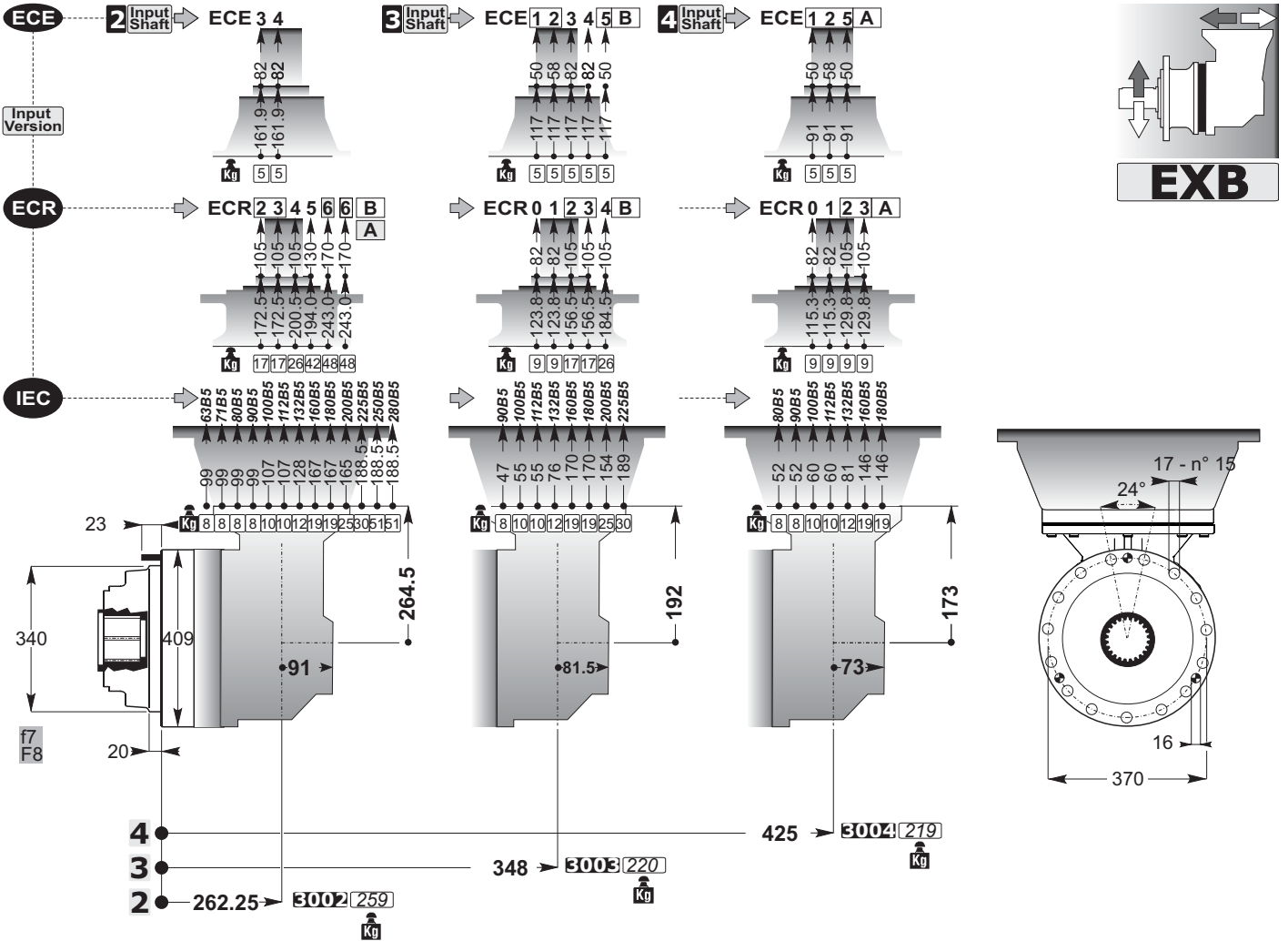
mm
C

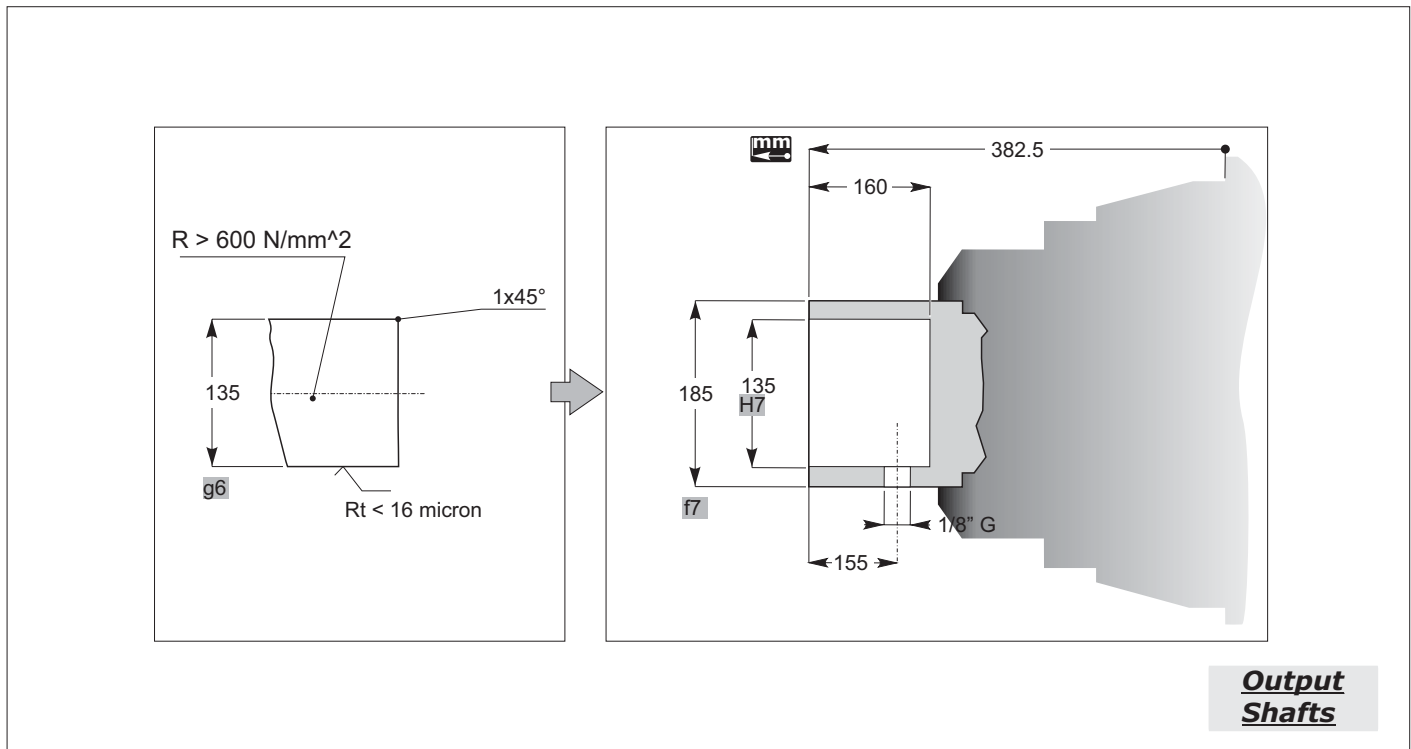
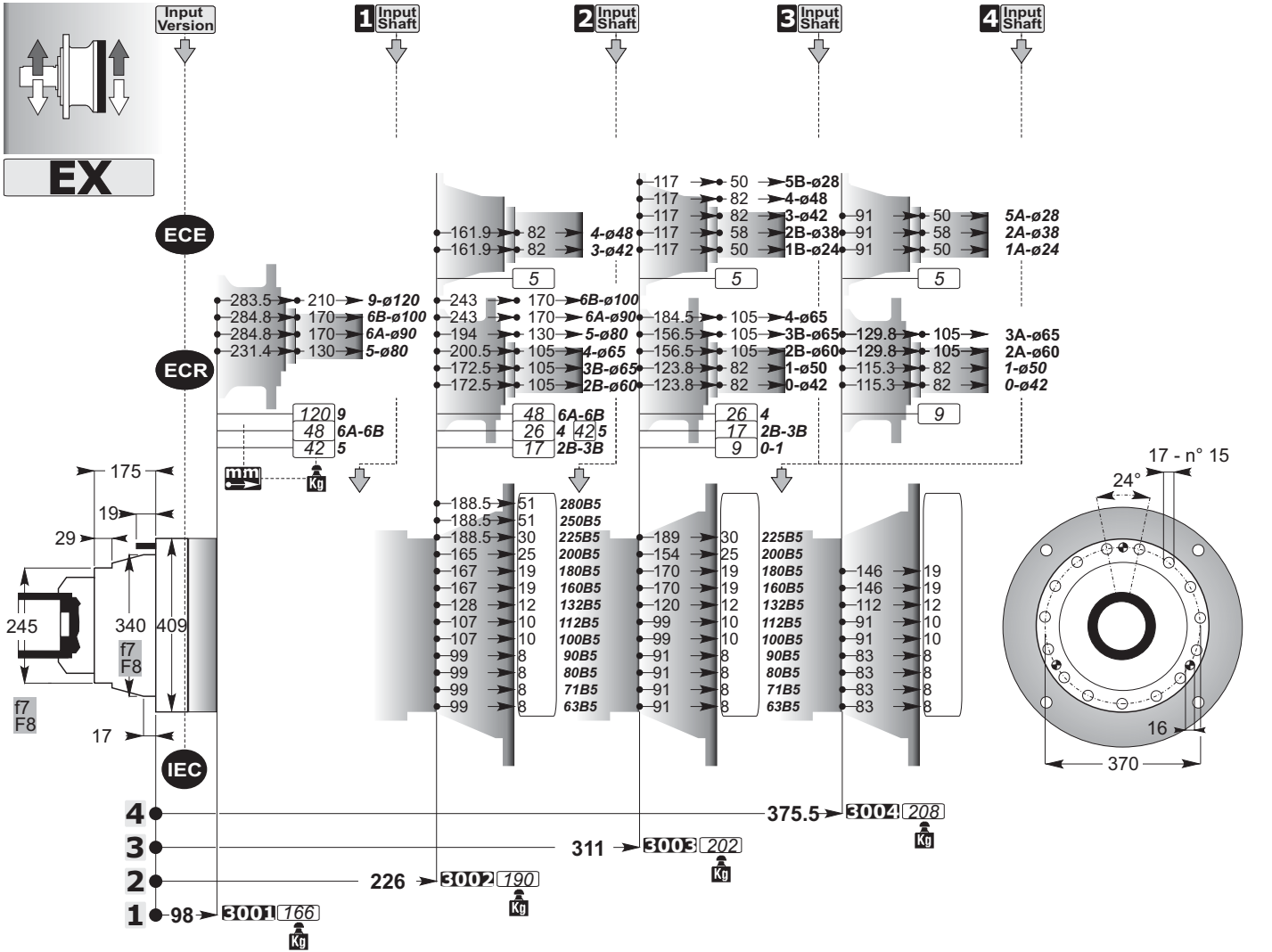


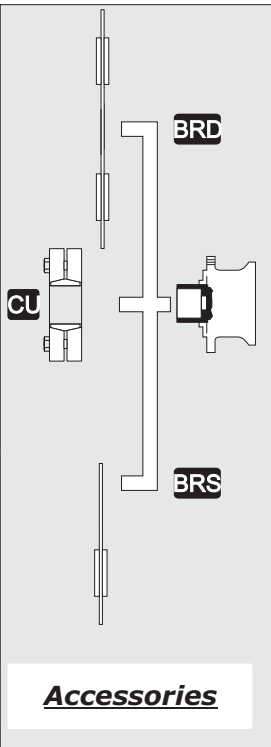
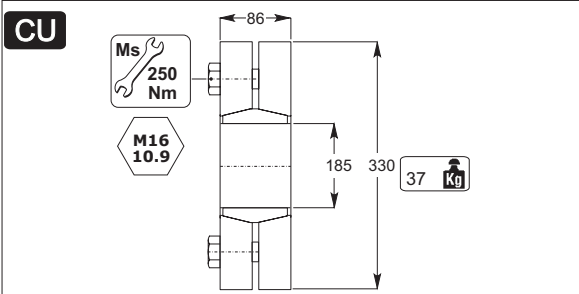
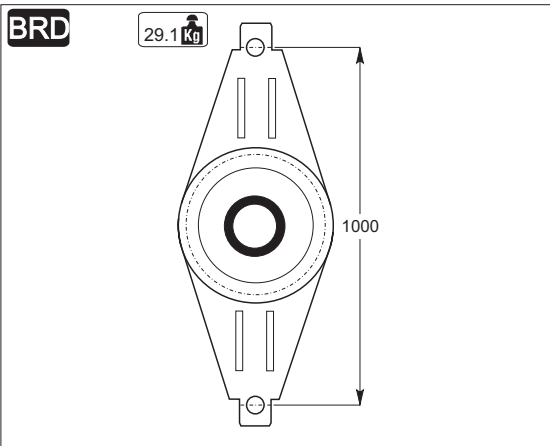
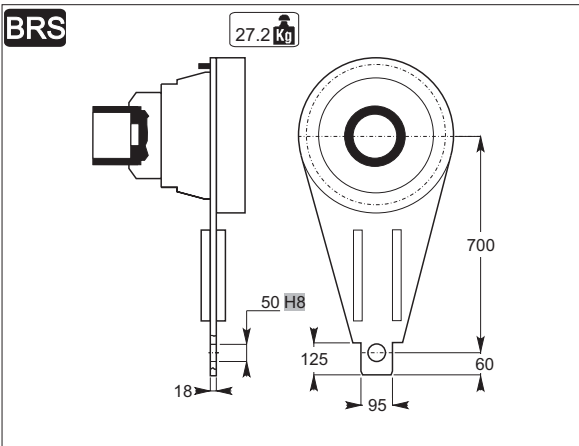
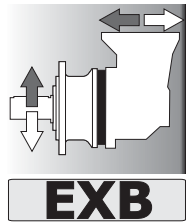
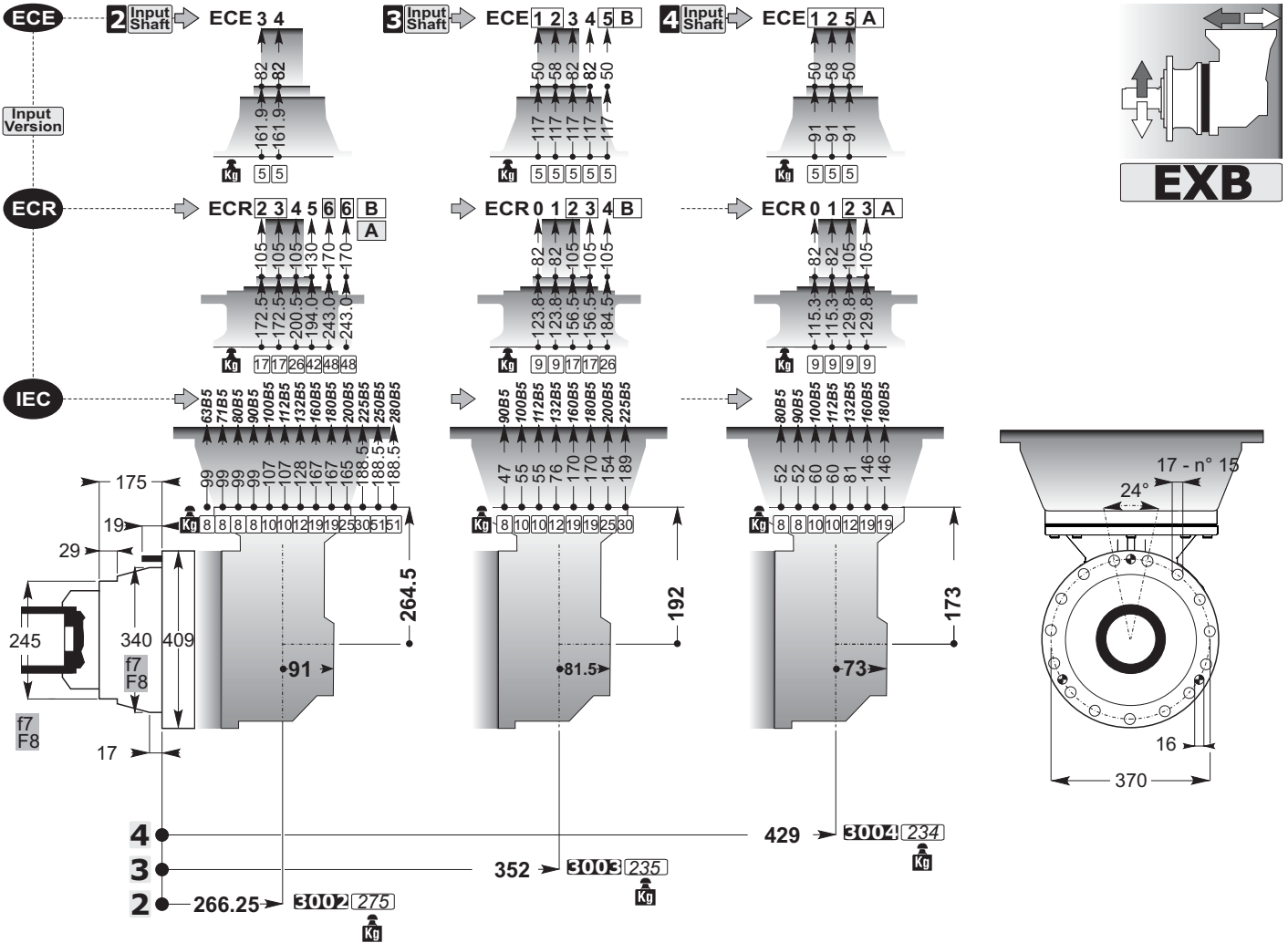


mm
C

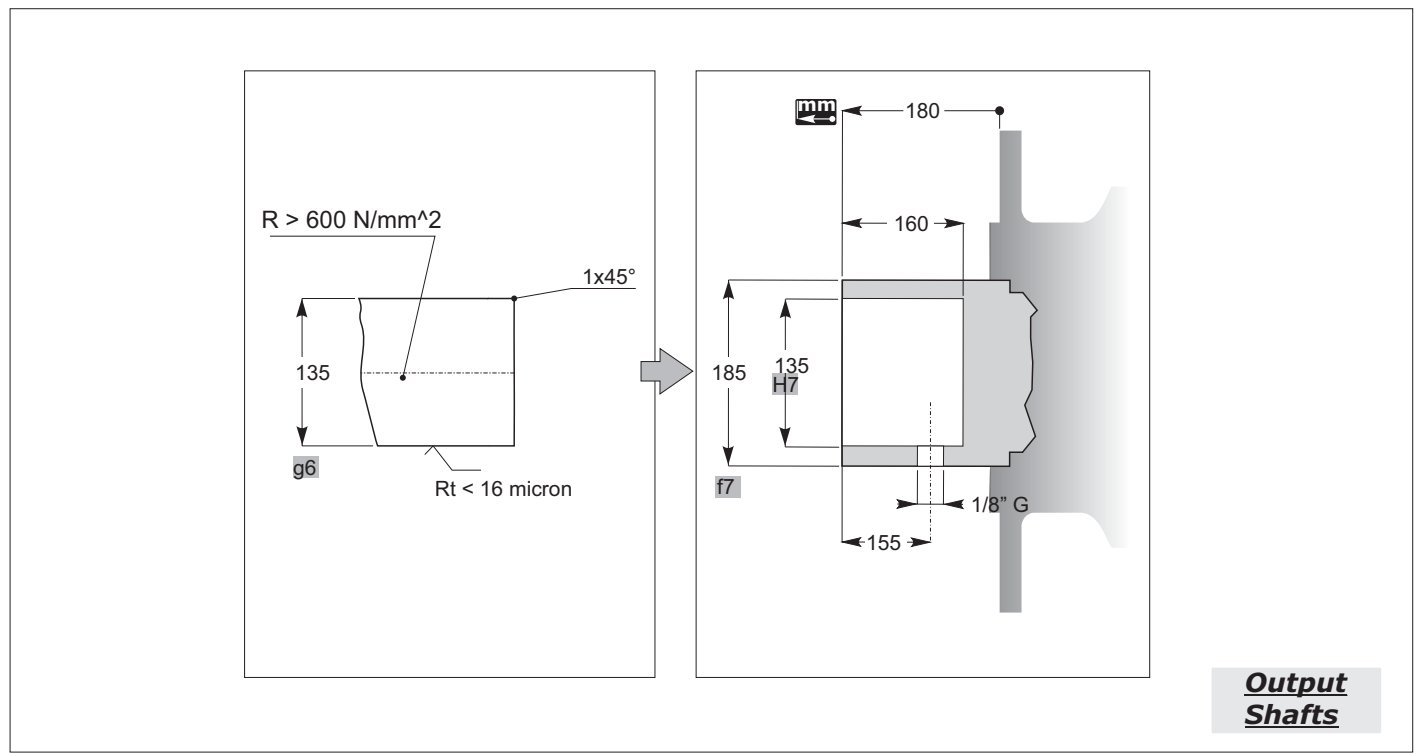
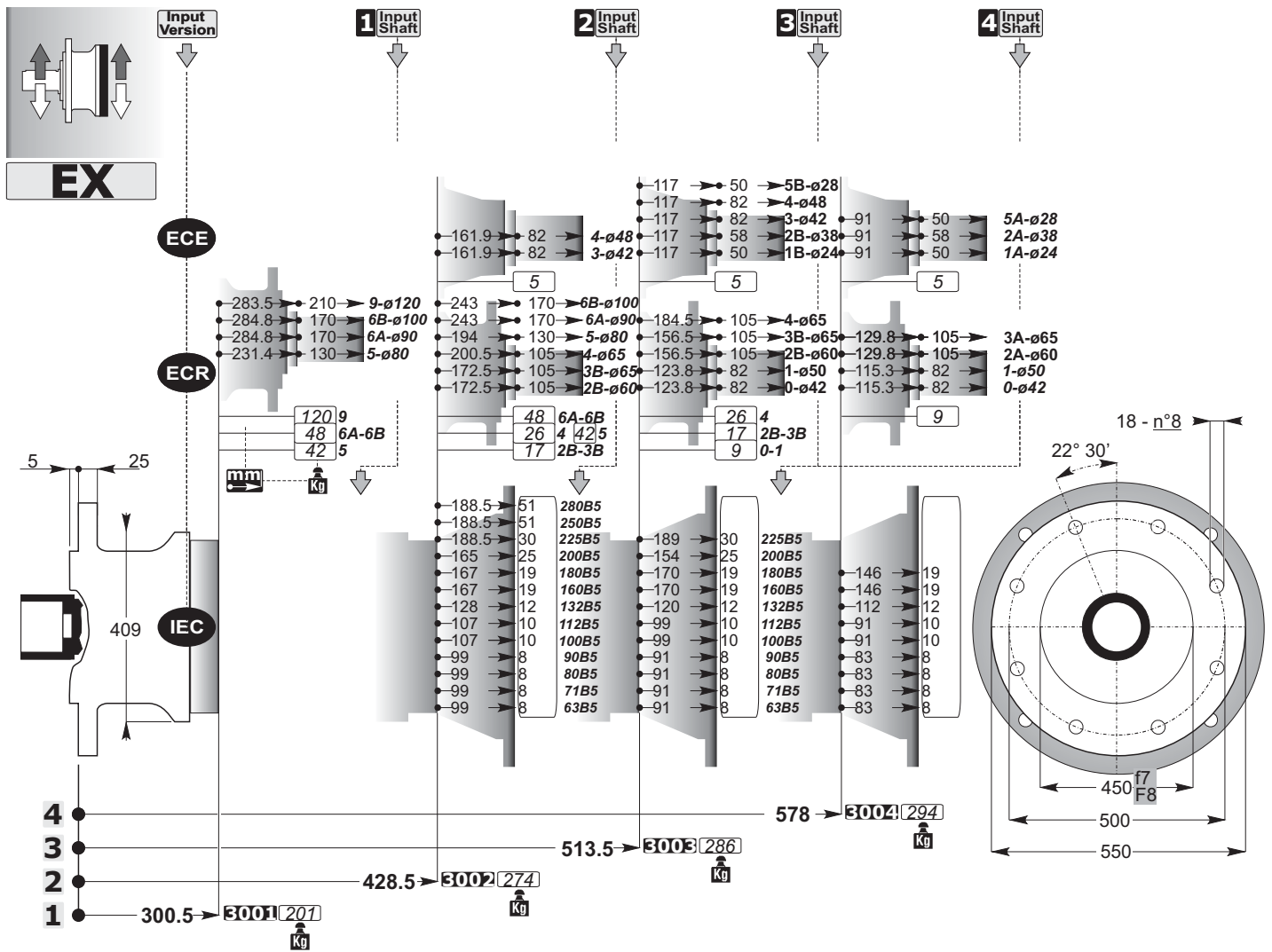


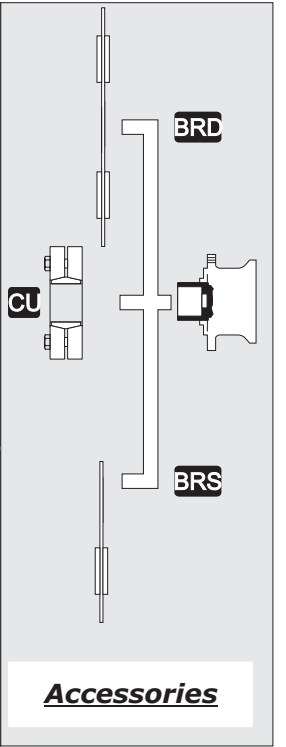
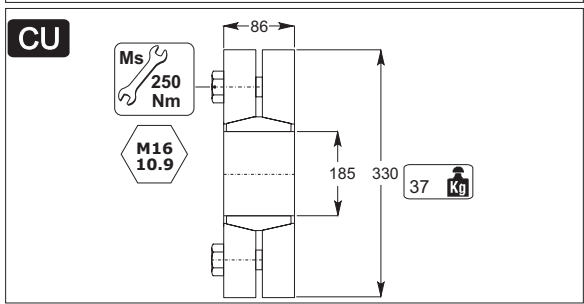
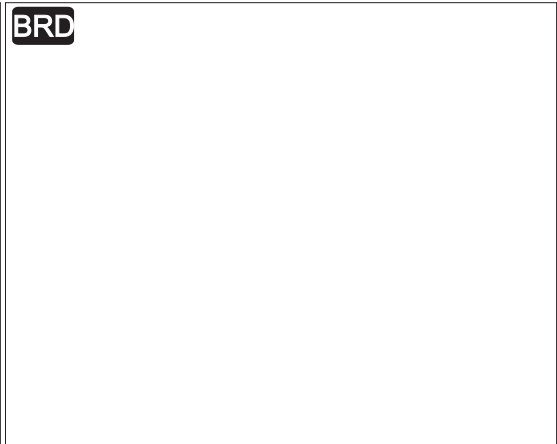
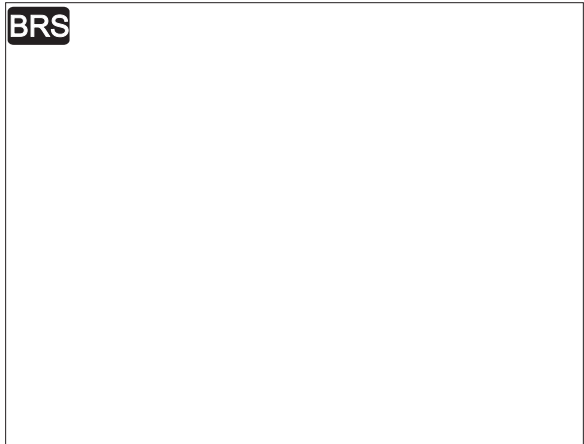
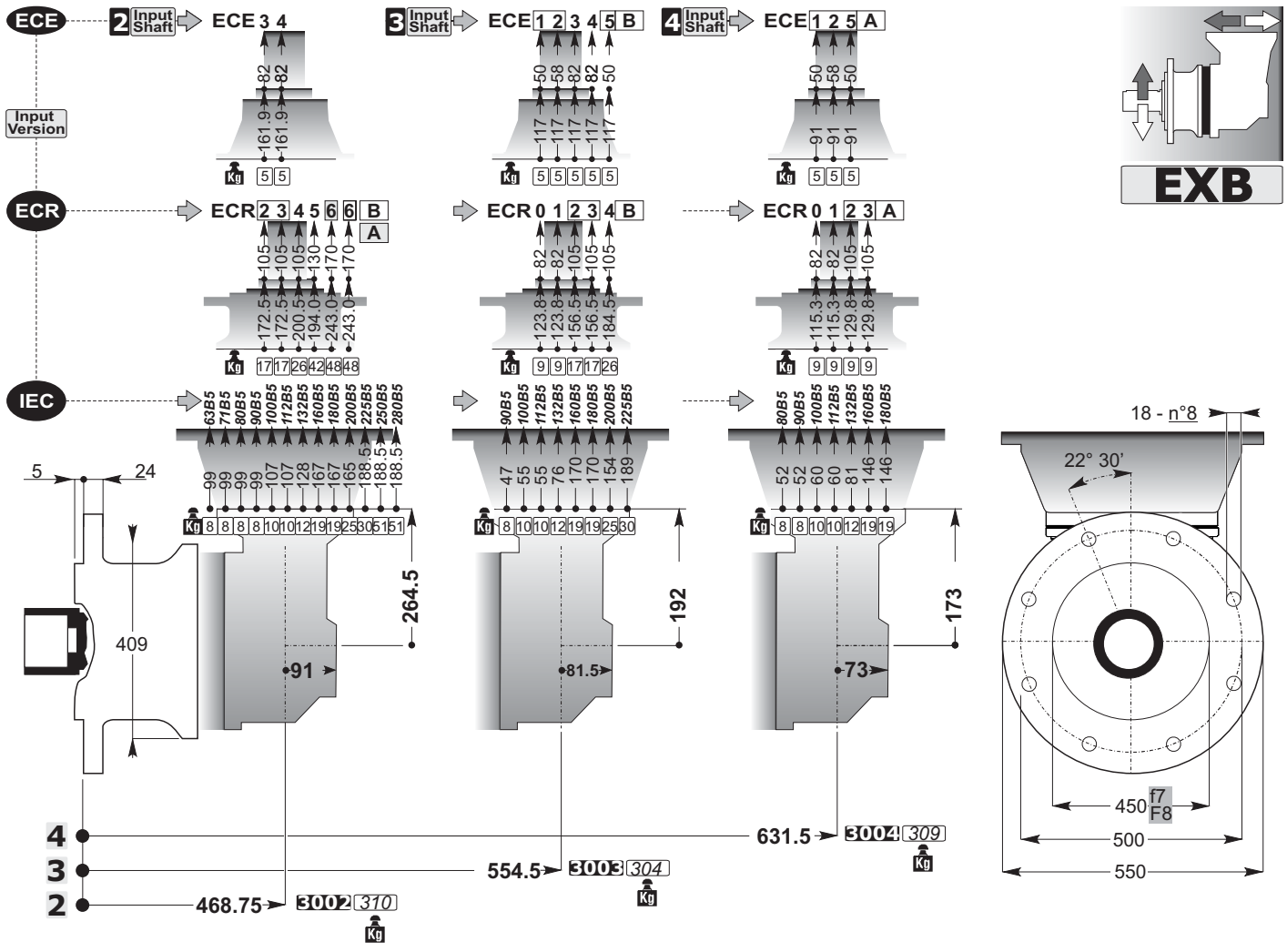


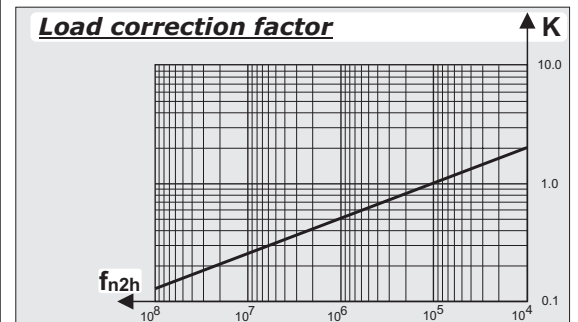
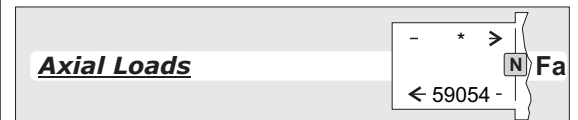
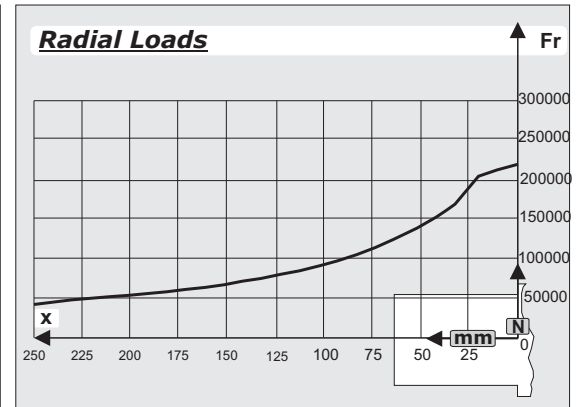
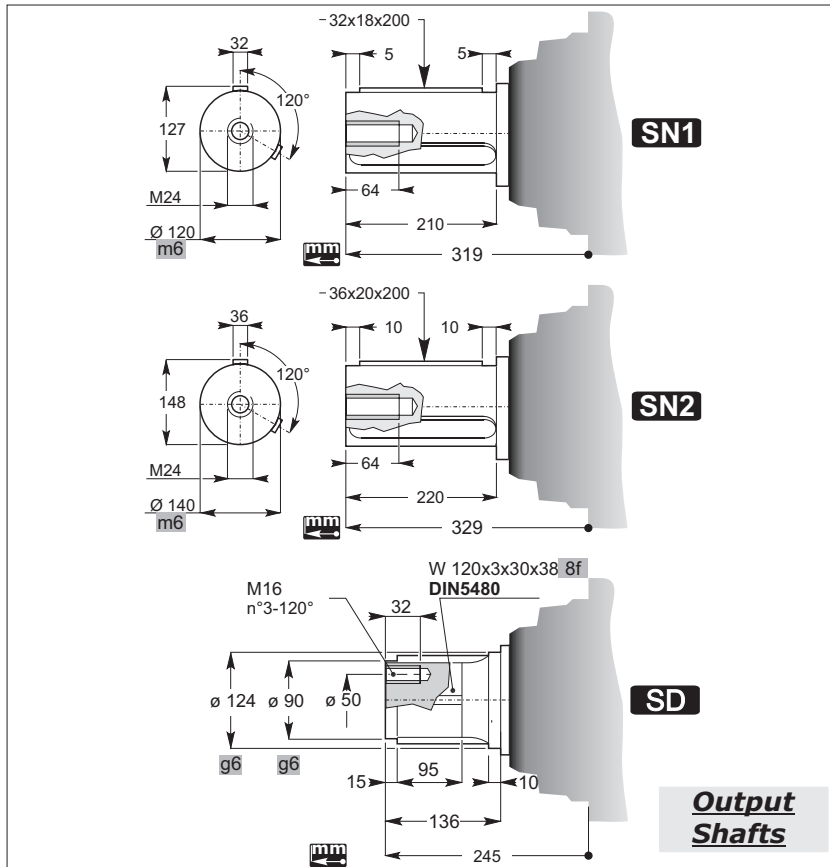
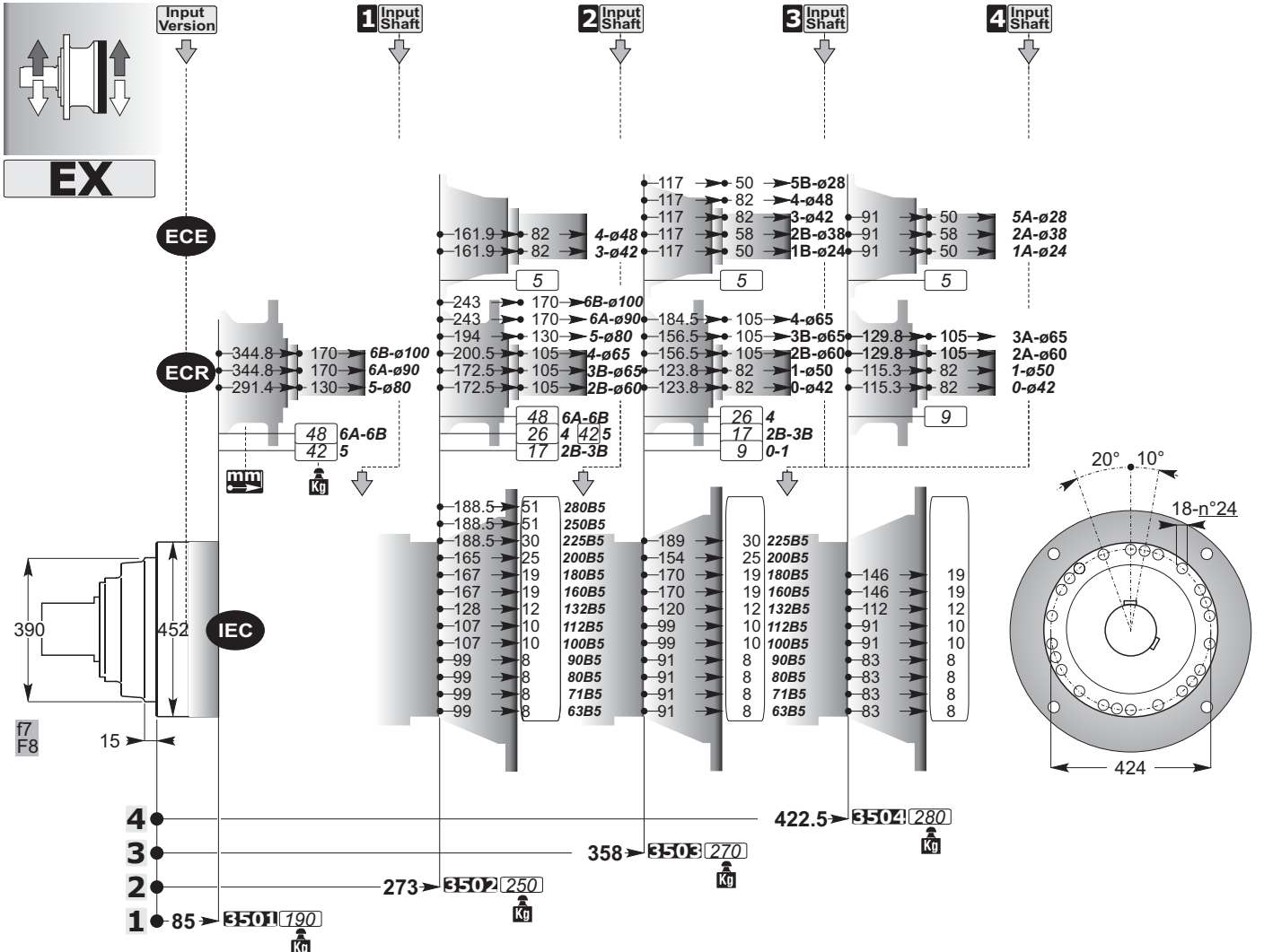




mm
C







ECE

3 Input Shaft

ECE 1 2 3 4 5 B

4 Input Shaft

ECE 1 2 5 A

Input Version

ECR

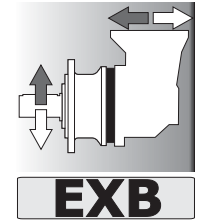
ECR 0 1 2 3 4 B

ECR 0 1 2 3 A

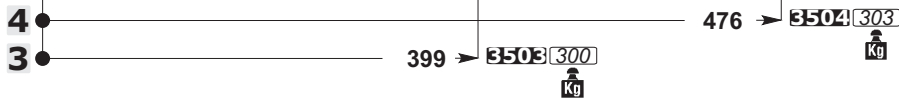
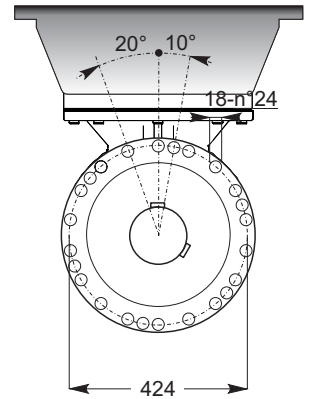
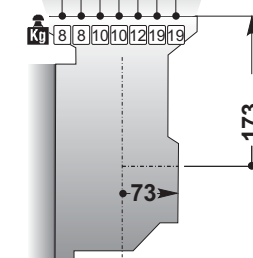
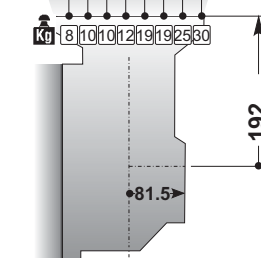
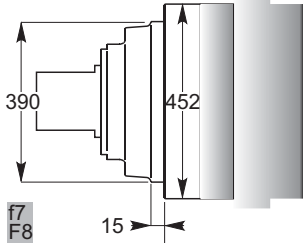
IEC

90B5 100B5 112B5 132B5 160B5 180B5 200B5 225B5

80B5 90B5 100B5 112B5 132B5 160B5 180B5

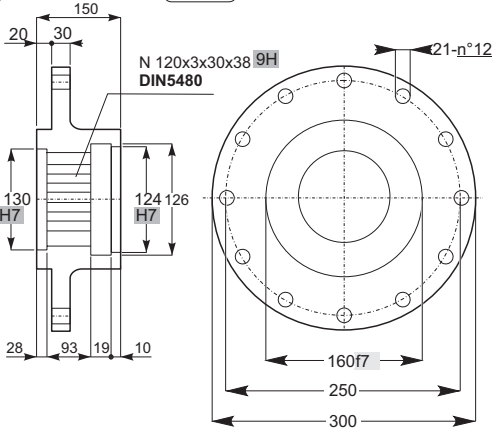


EXB



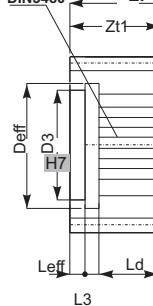
FD

21.2 kg



ID

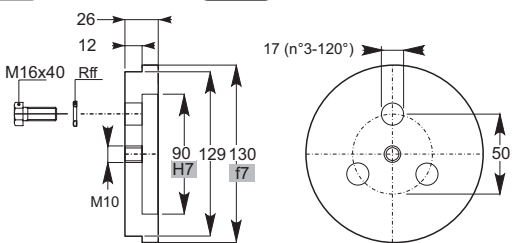
N 120x3x30x38 9H DIN5480



ID	m	Z	X	De
	-	-	-	-
	-	-	-	-
	-	-	-	-
	-	-	-	-
	-	-	-	-
	-	-	-	-
	-	-	-	-
	-	-	-	-
	-	-	-	-
	-	-	-	-
	-	-	-	-
	-	-	-	-
	-	-	-	-
	-	-	-	-
	-	-	-	-
	-	-	-	-
	-	-	-	-
	-	-	-	-
	-	-	-	-
	-	-	-	-
	-	-	-	-
	-	-	-	-

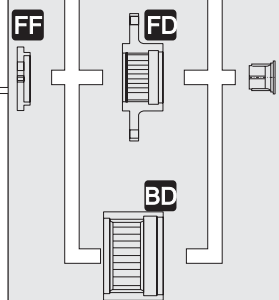
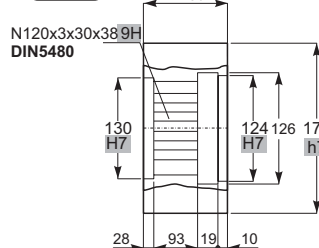
FF

2.2 kg

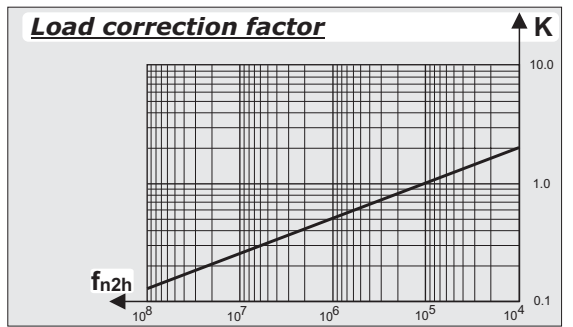
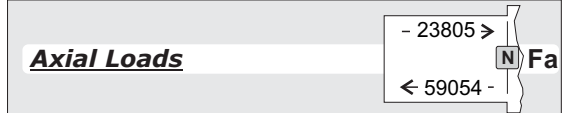
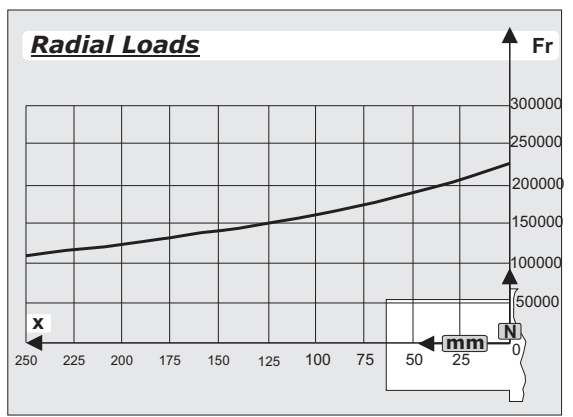
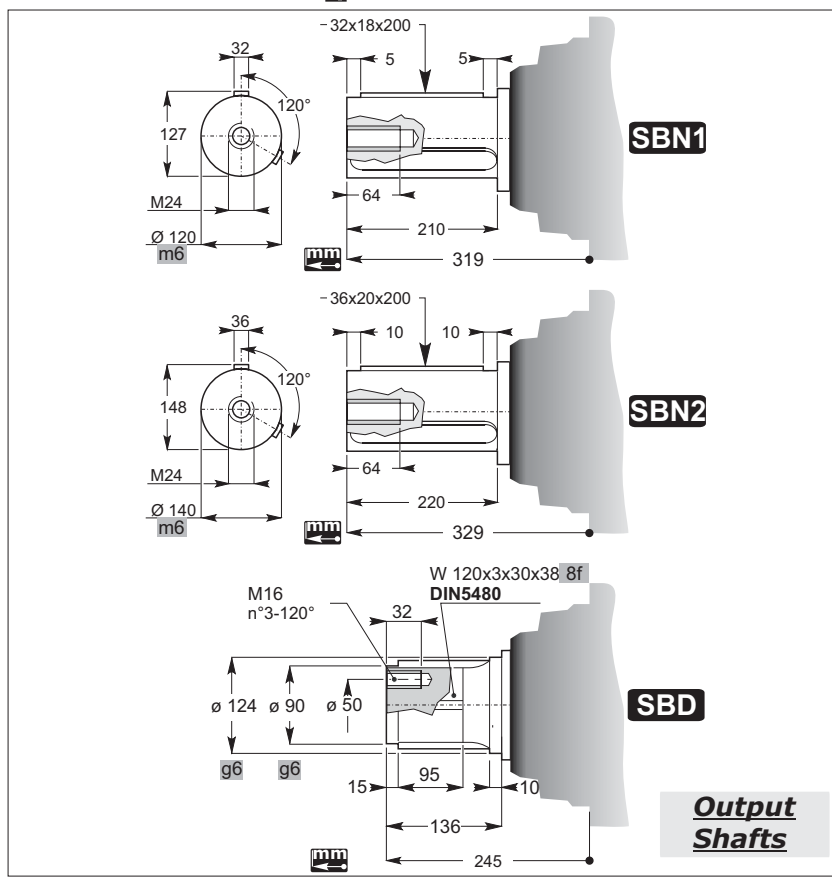
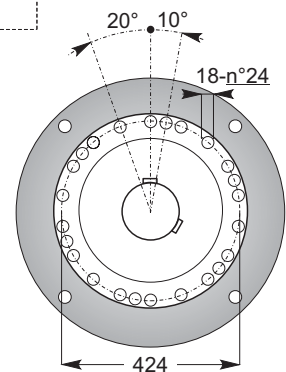
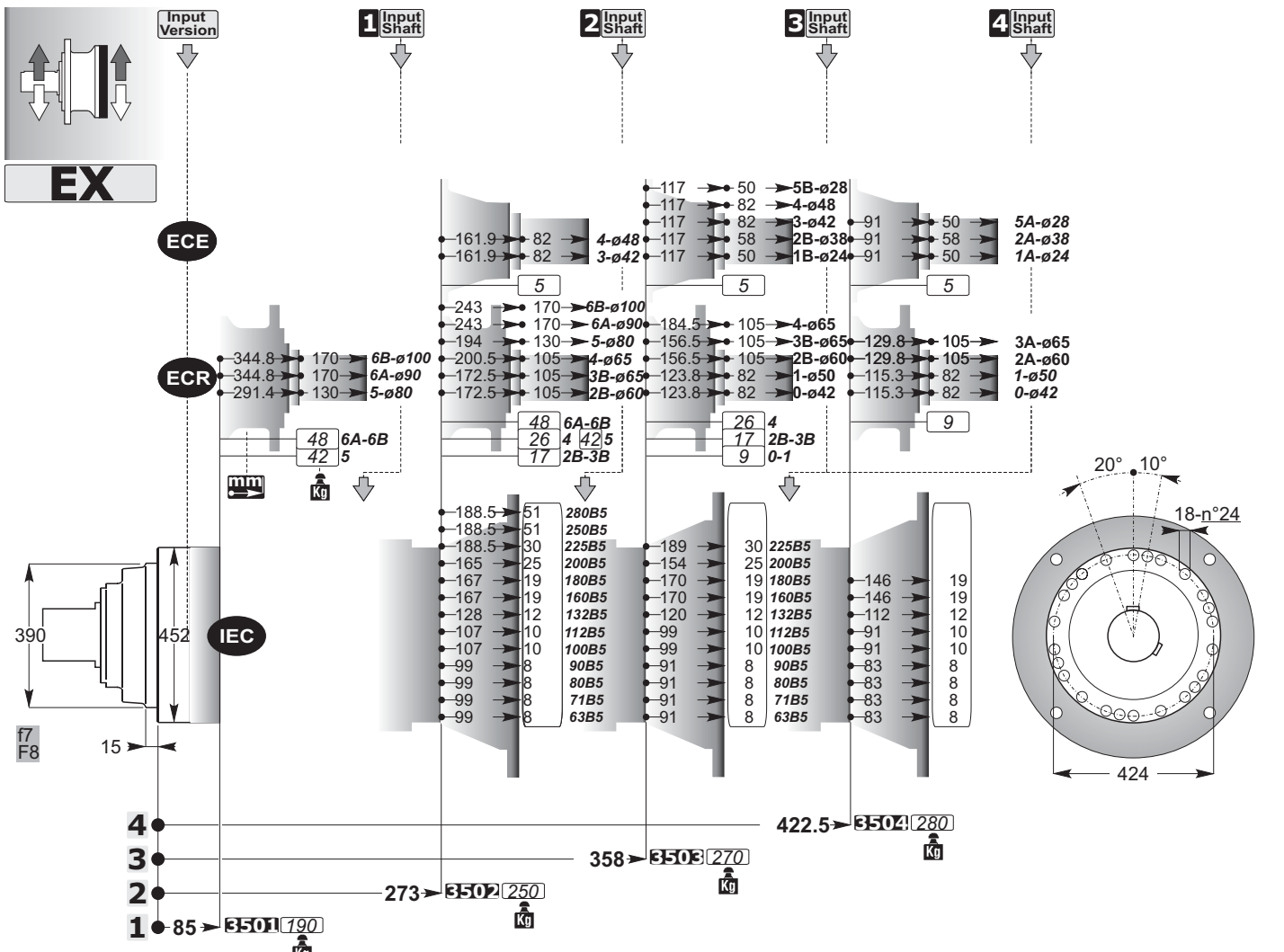


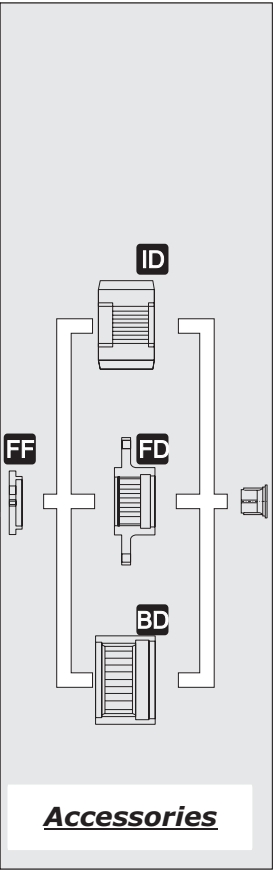
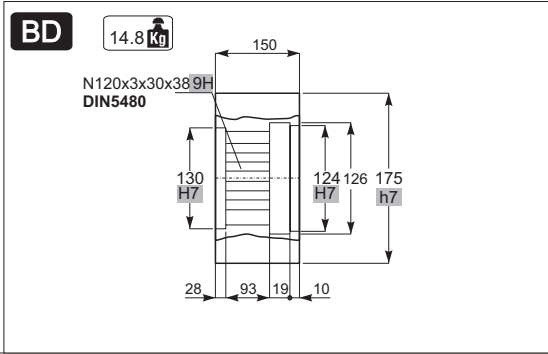
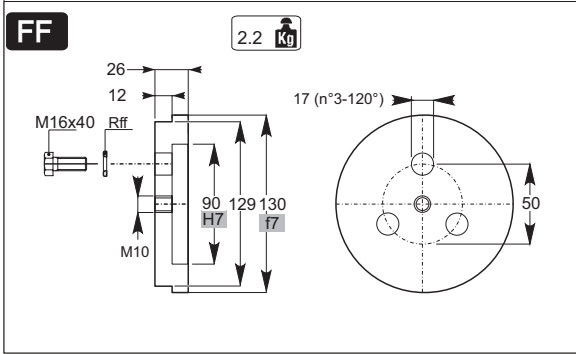
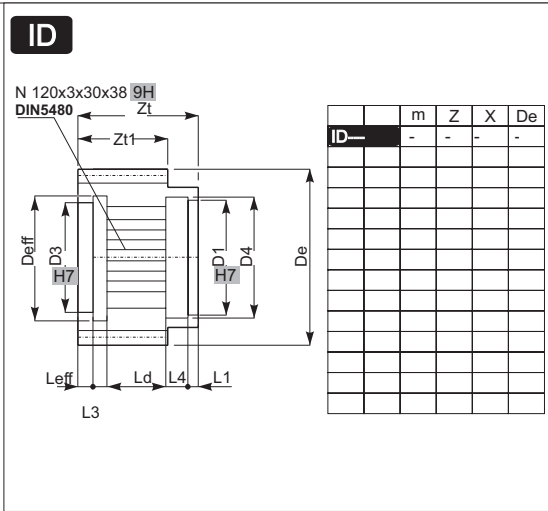
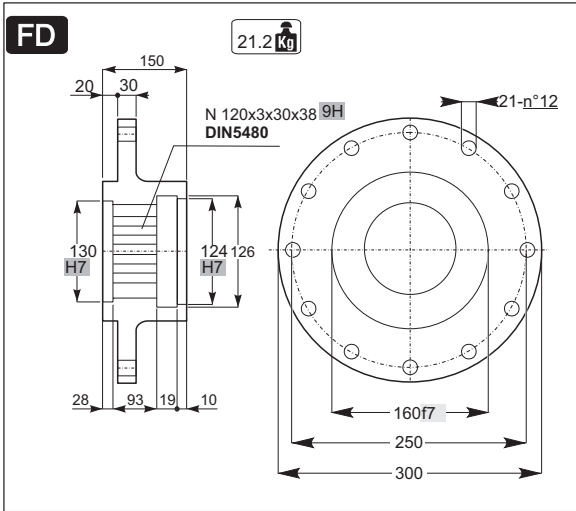
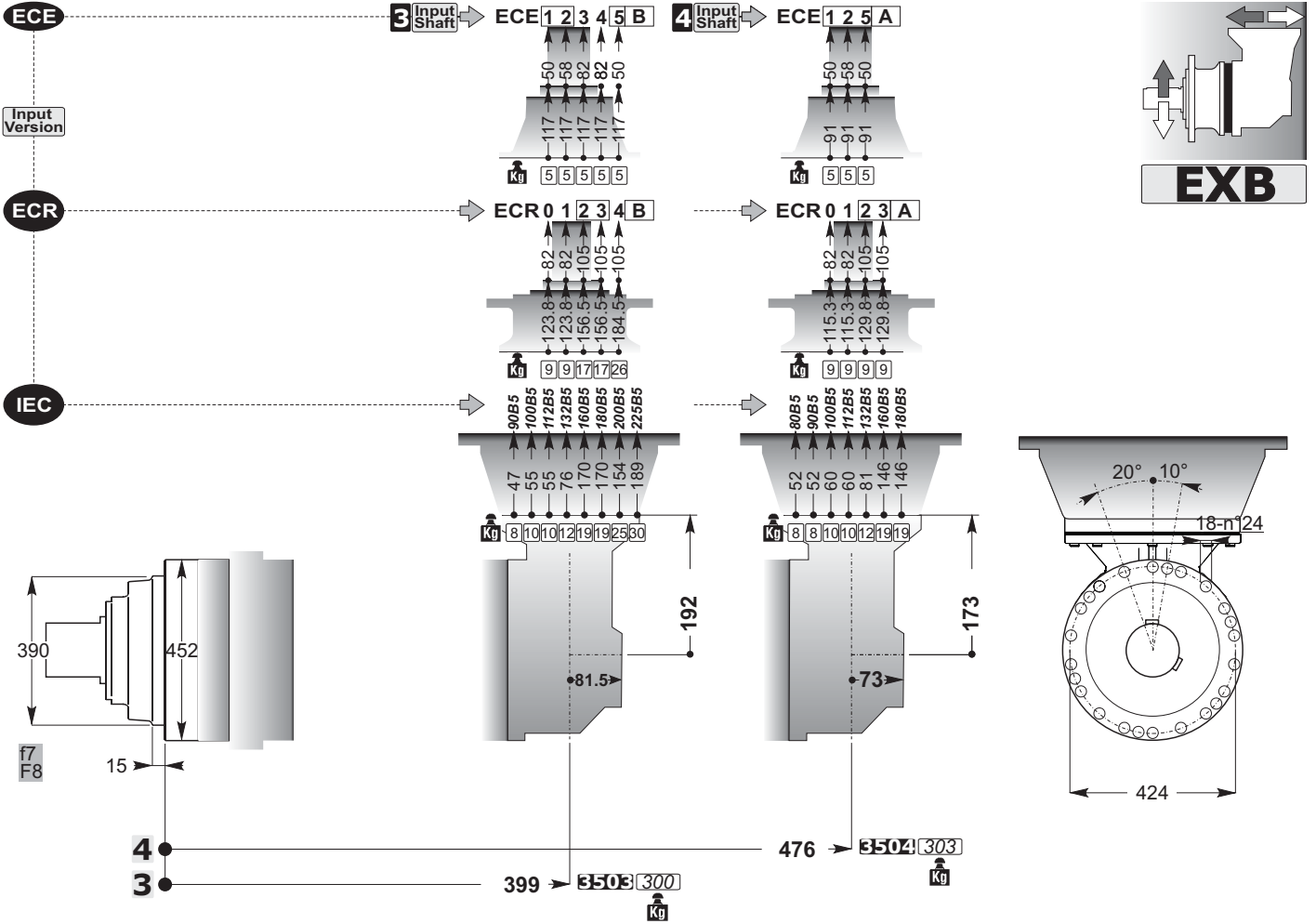
BD

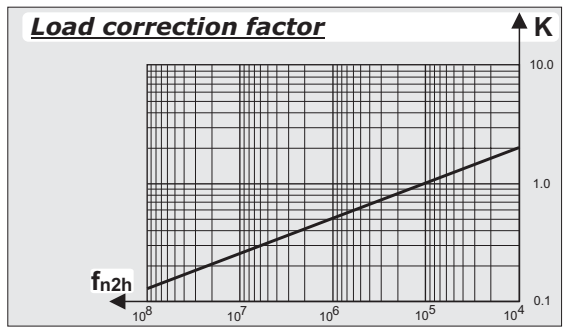
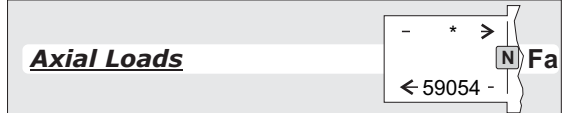
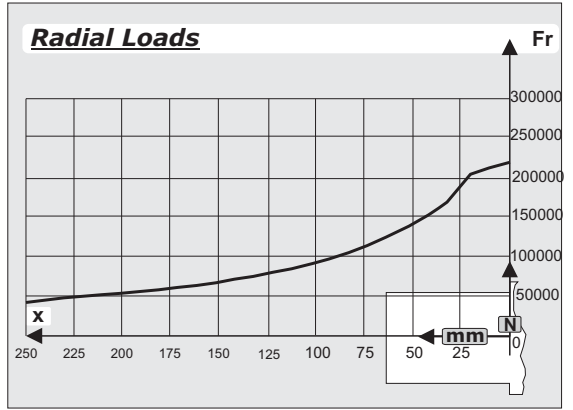
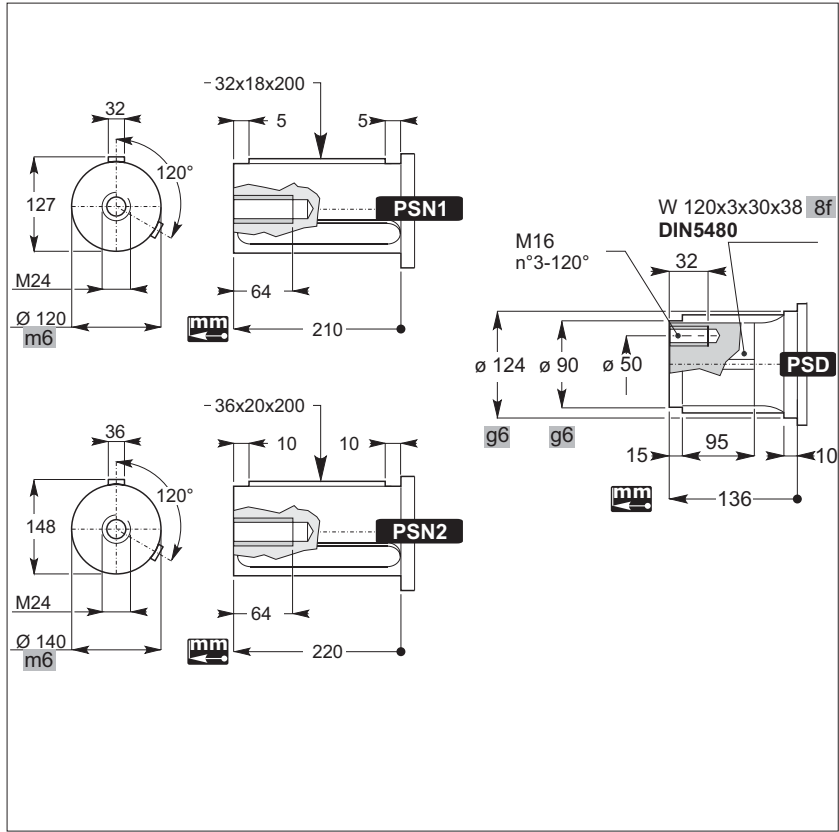
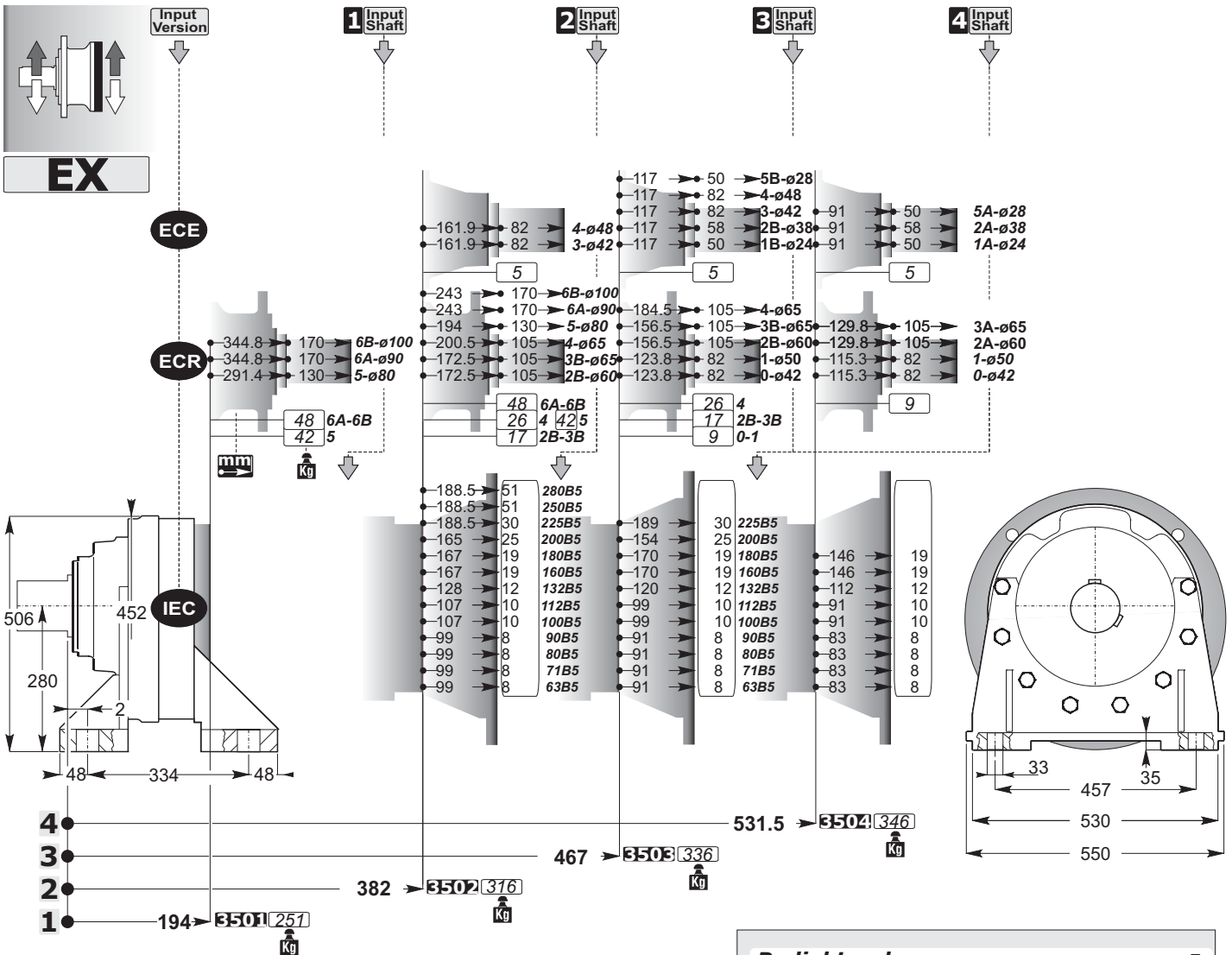
14.8 kg



Accessories







ECE

3 Input Shaft

ECE 1 2 3 4 5 B

4 Input Shaft

ECE 1 2 5 A

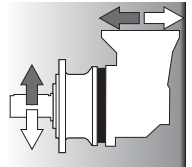
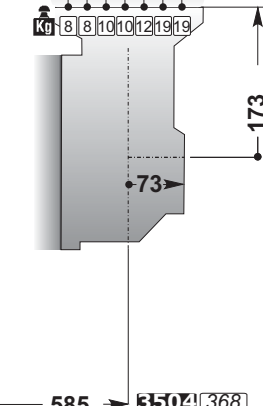
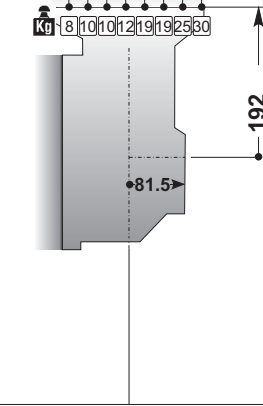
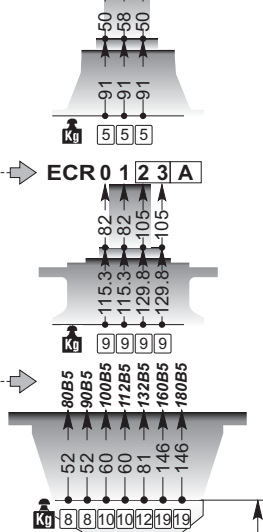
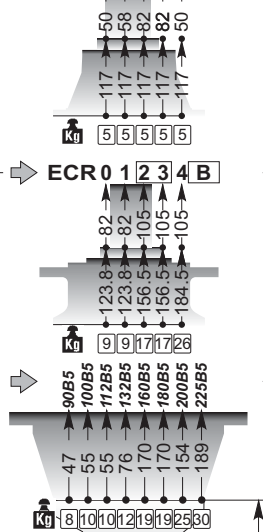
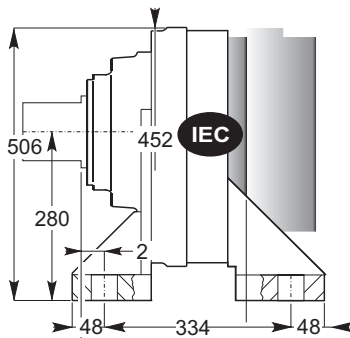
Input Version

ECR

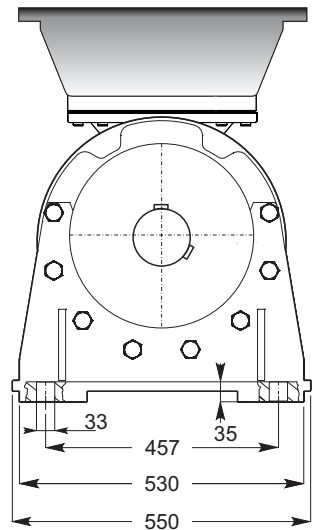
ECR 0 1 2 3 4 B

ECR 0 1 2 3 A

IEC



EXB

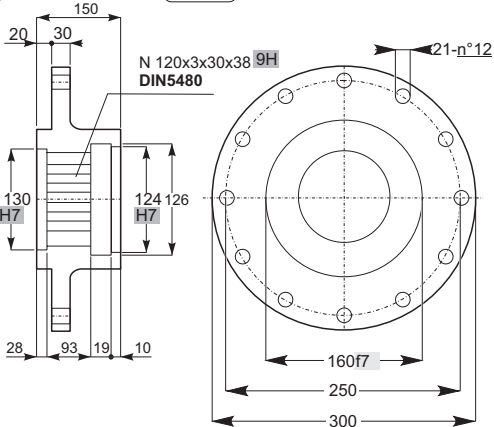


4
3

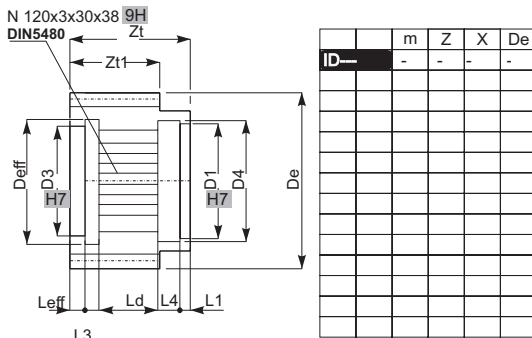
508 → **3503** **363** **585** → **3504** **368** **kg**

FD

21.2 **kg**



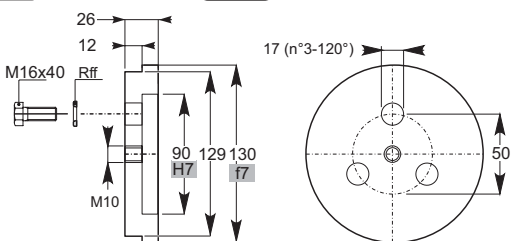
ID



ID	m	Z	X	De
-	-	-	-	-

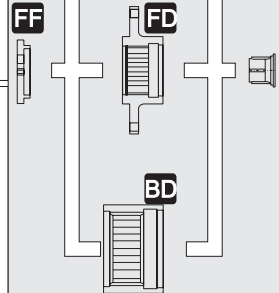
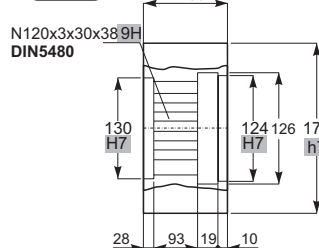
FF

2.2 **kg**



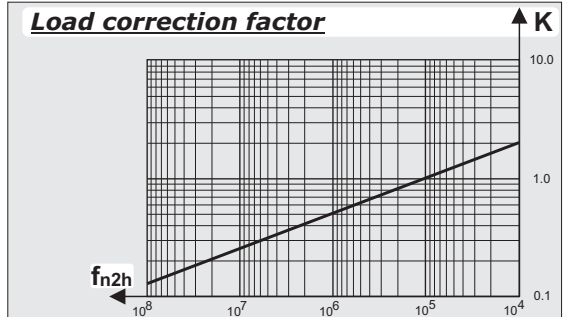
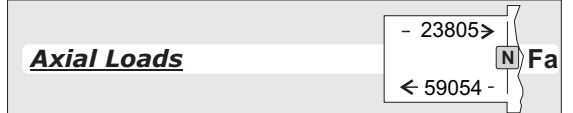
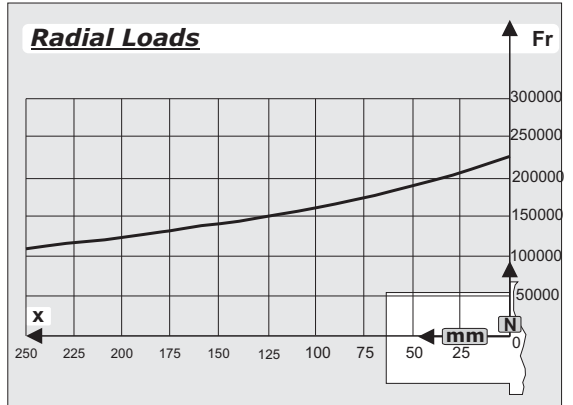
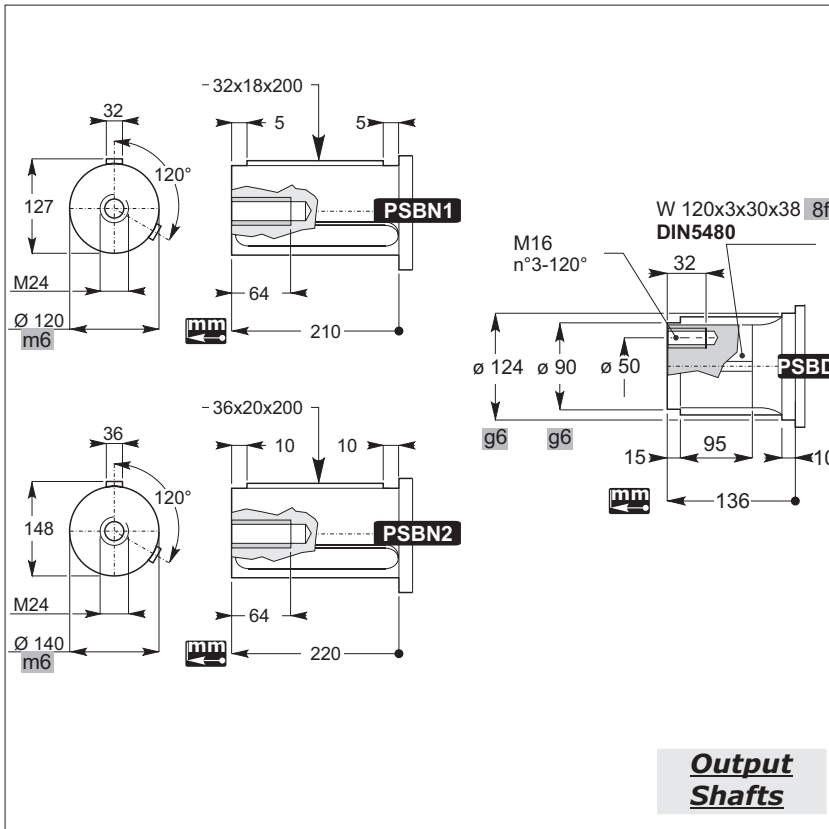
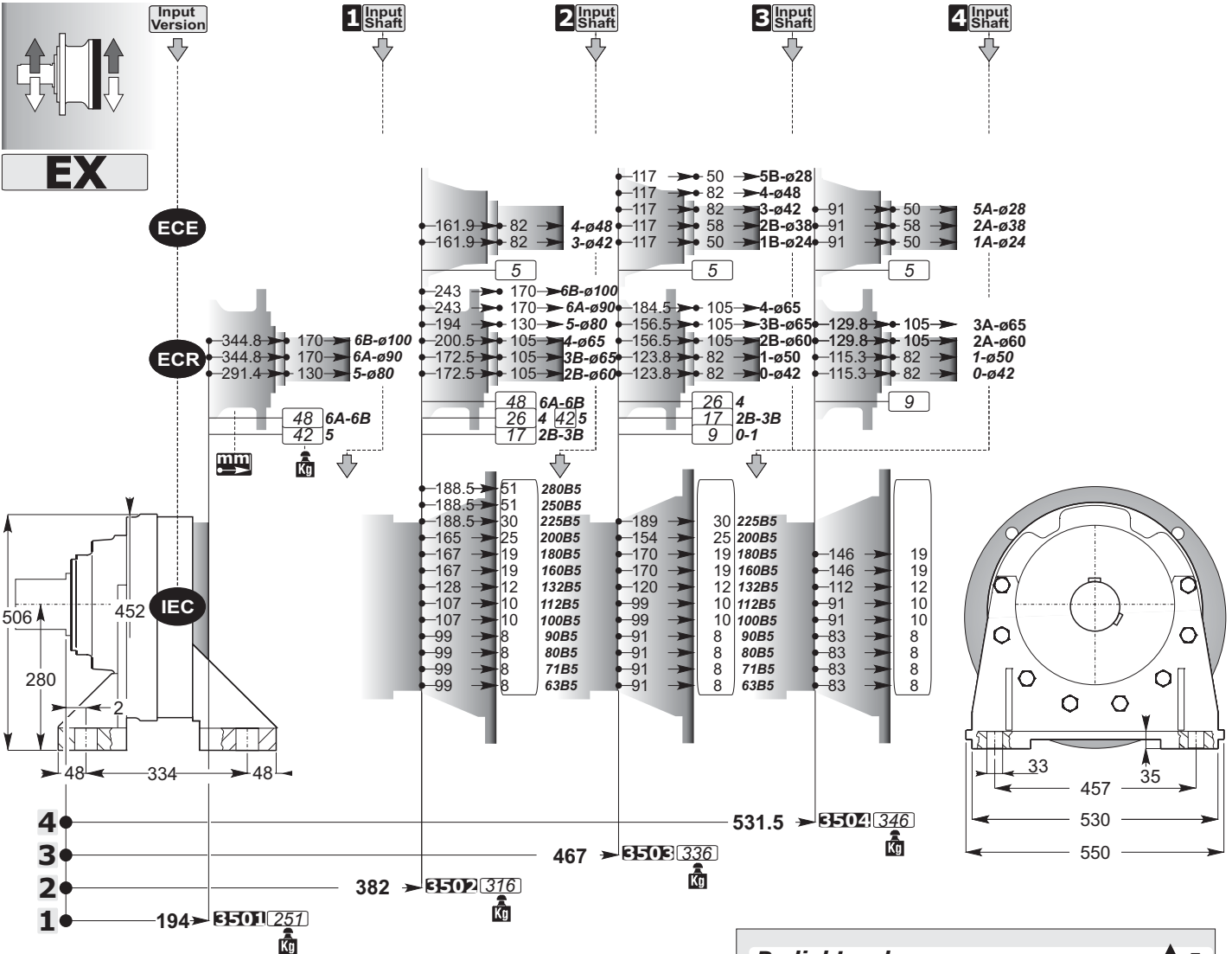
BD

14.8 **kg**



Accessories

mm
C



ECE

3 Input Shaft

ECE 1 2 3 4 5 B

4 Input Shaft

ECE 1 2 5 A

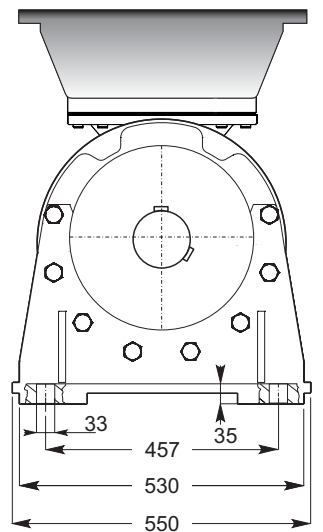
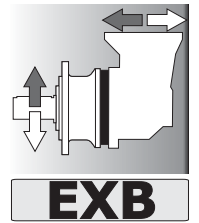
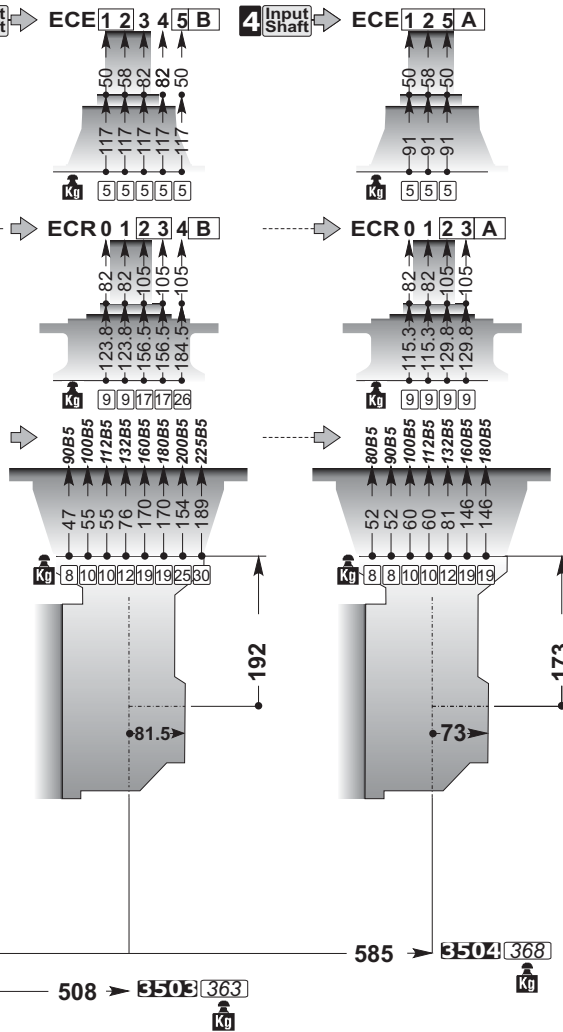
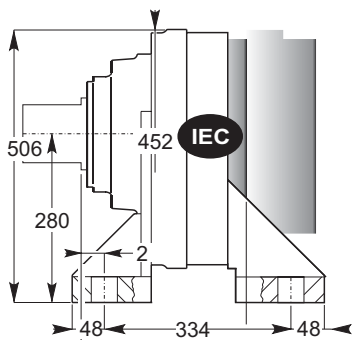
Input Version

ECR

ECR 0 1 2 3 4 B

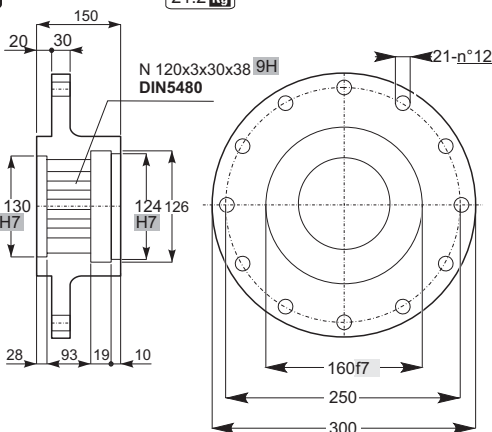
ECR 0 1 2 3 A

IEC



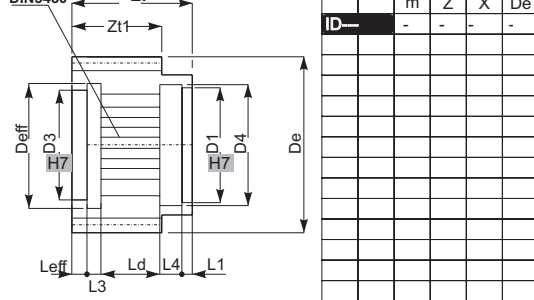
FD

21.2 Kg



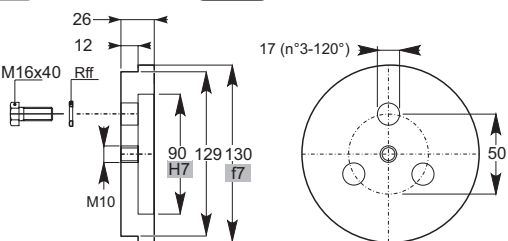
ID

N 120x3x30x38 9H DIN5480



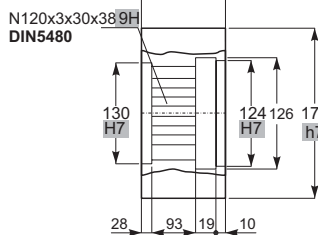
FF

2.2 Kg



BD

14.8 Kg



FF

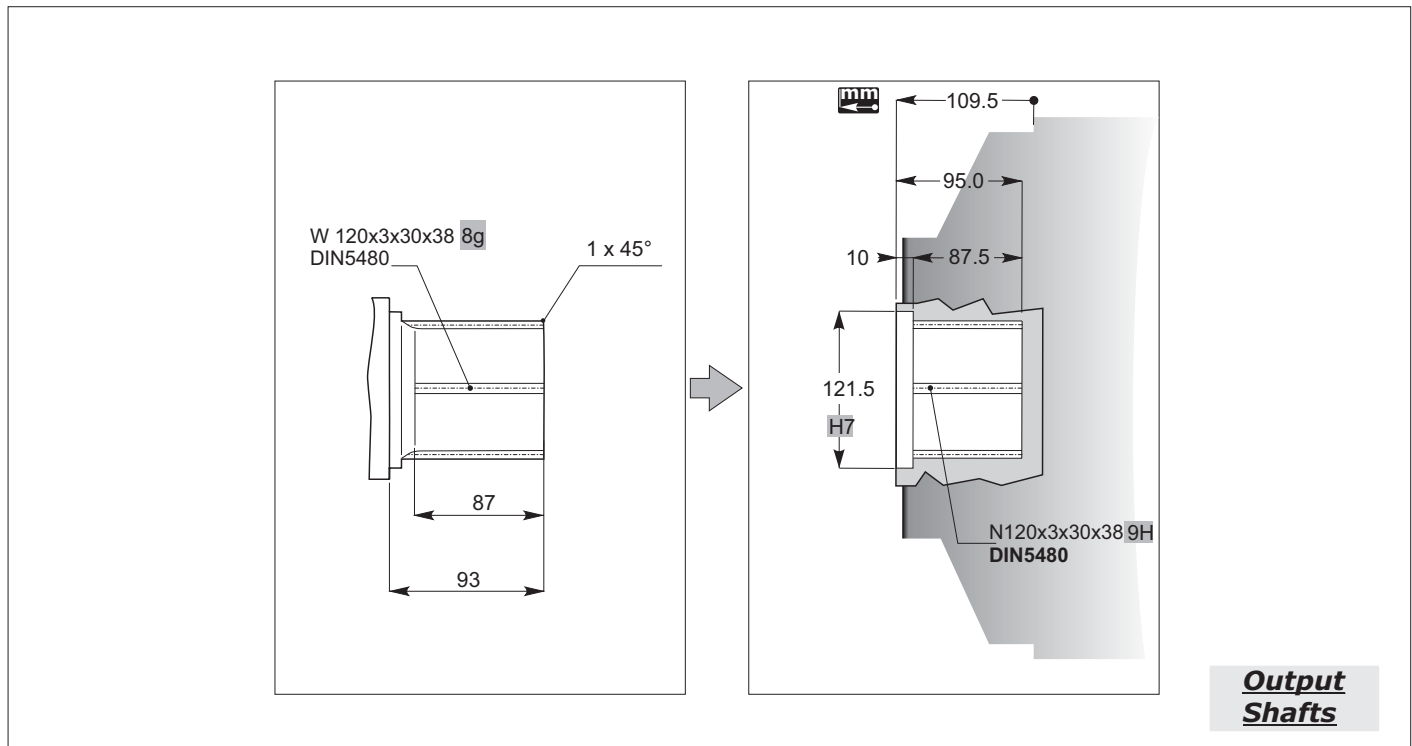
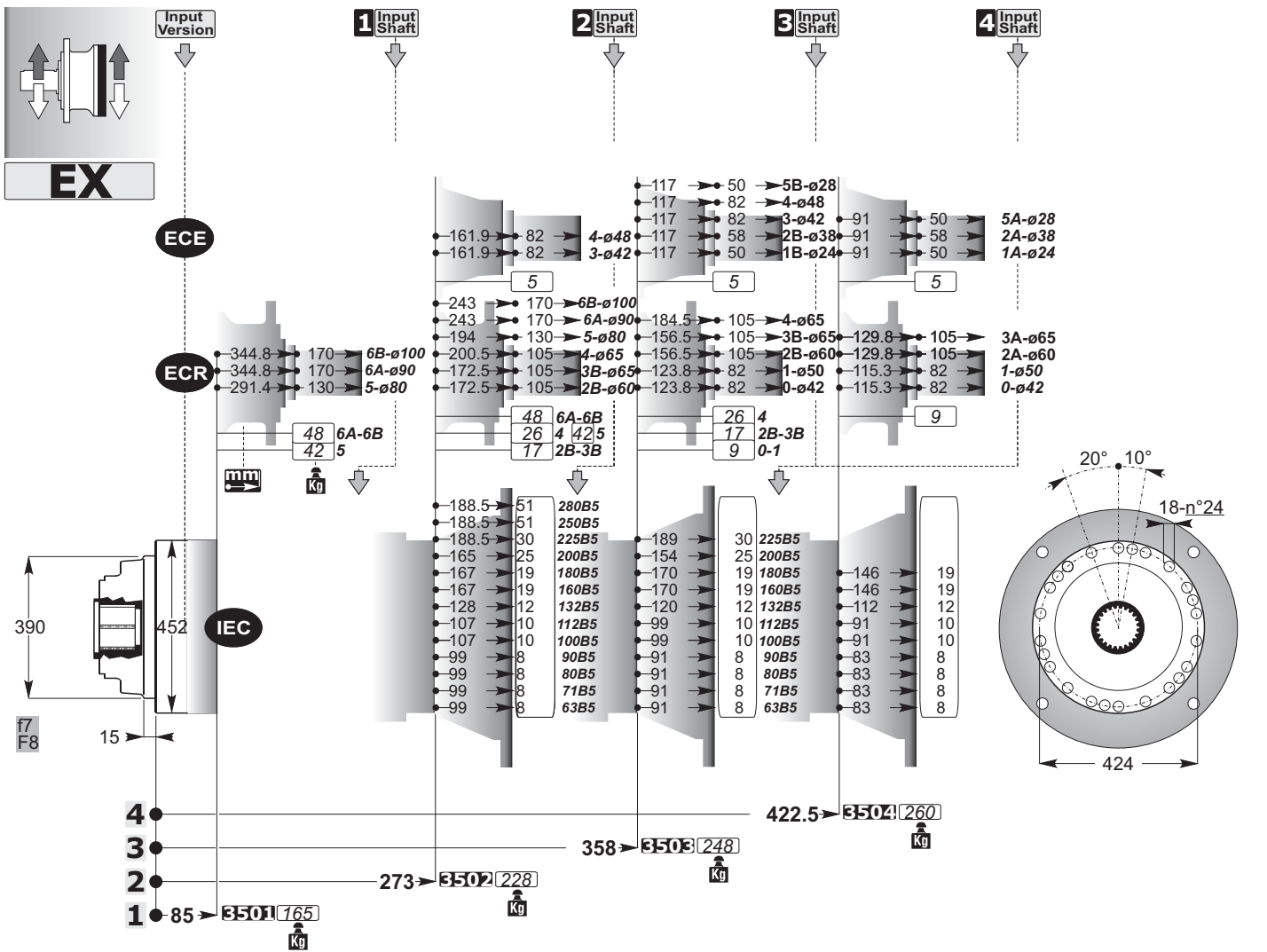
FD

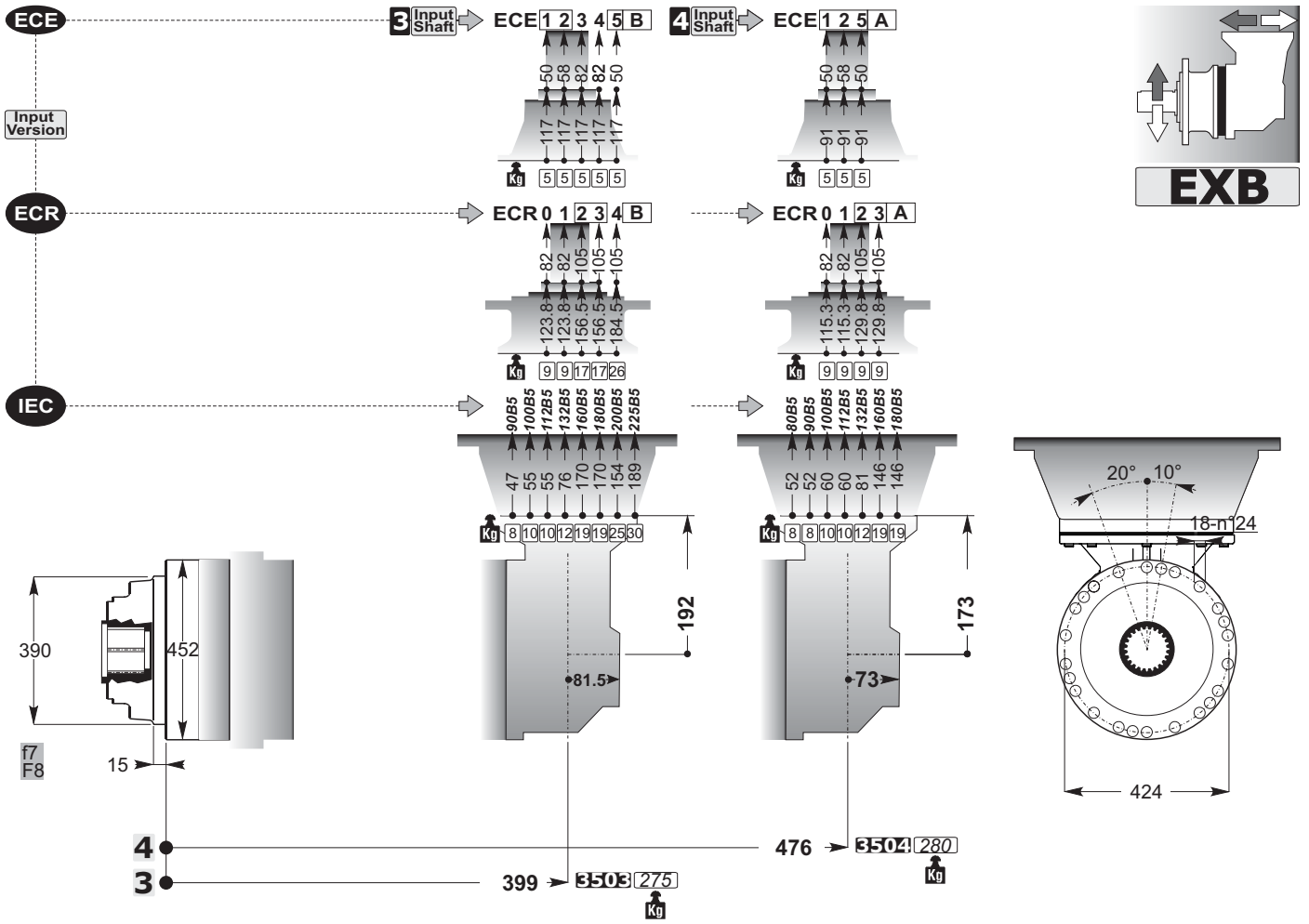
ID

BD

Accessories

mm
C





SD

W 120x3x30x38
DIN5480

300

25.1 Kg

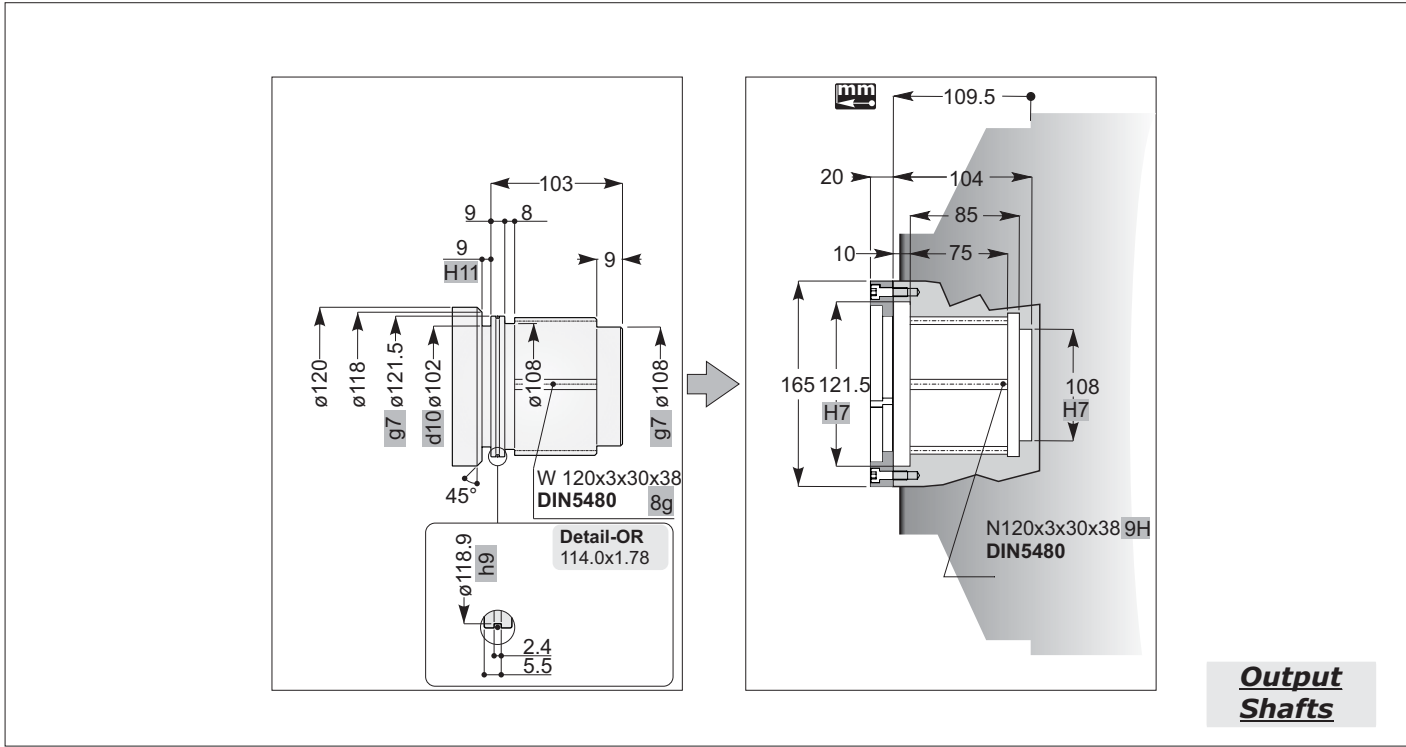
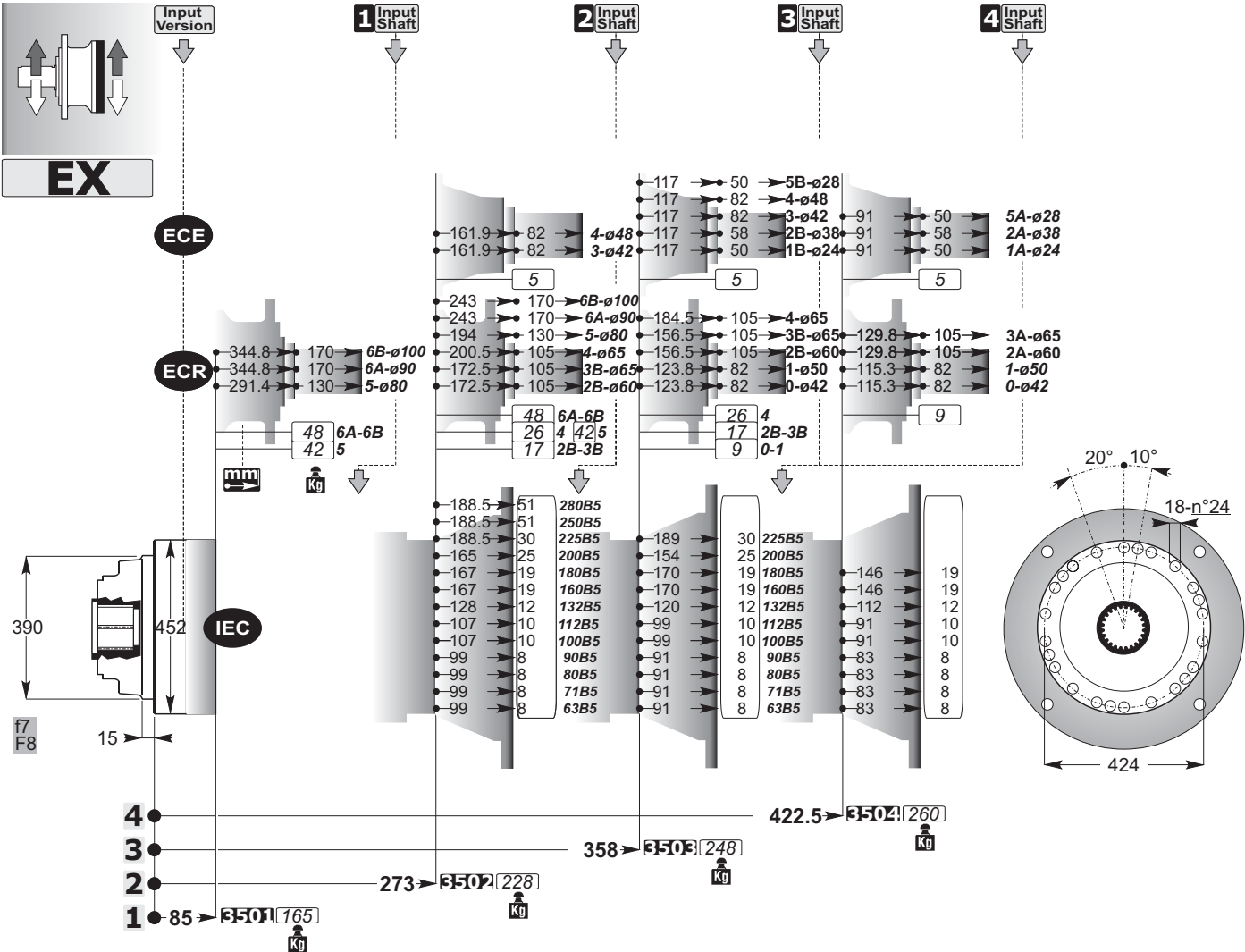
mm

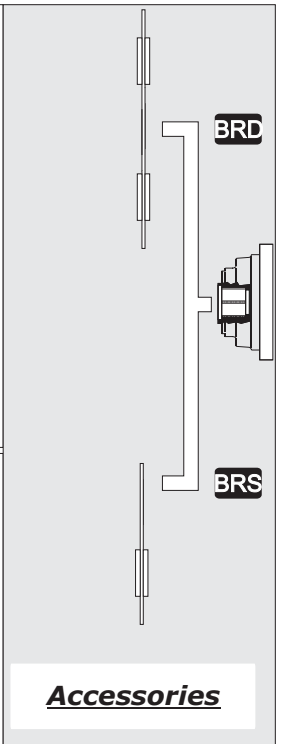
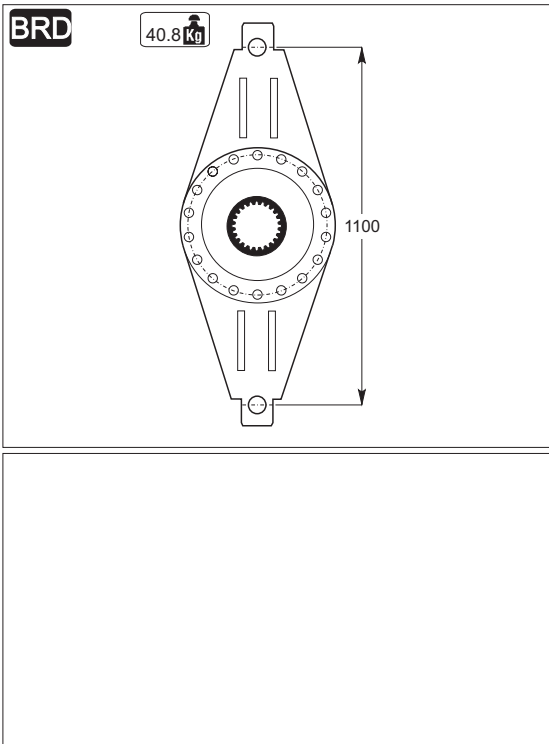
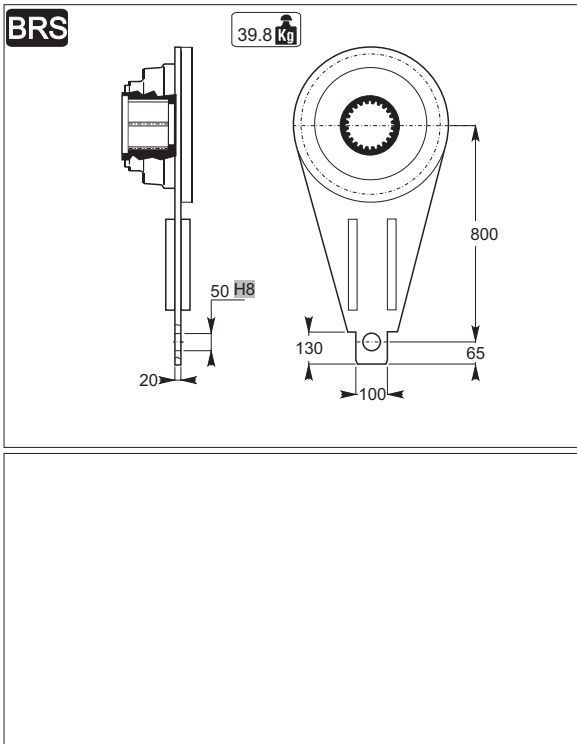
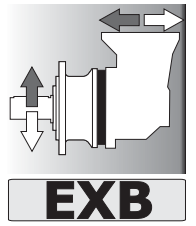
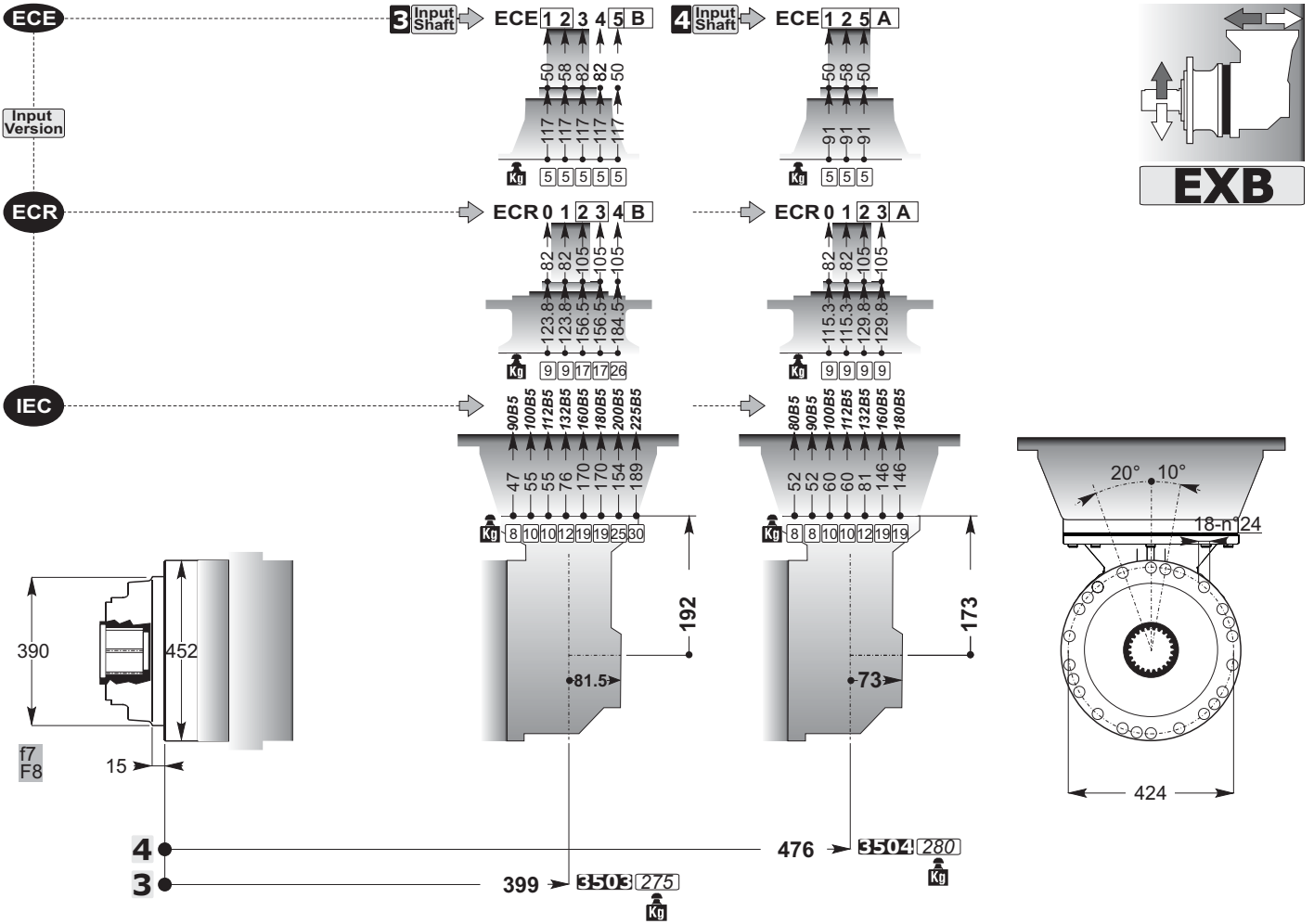
C

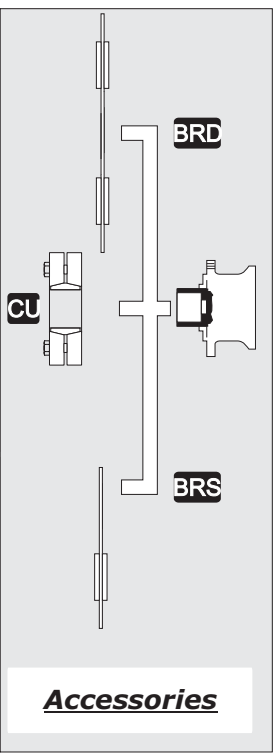
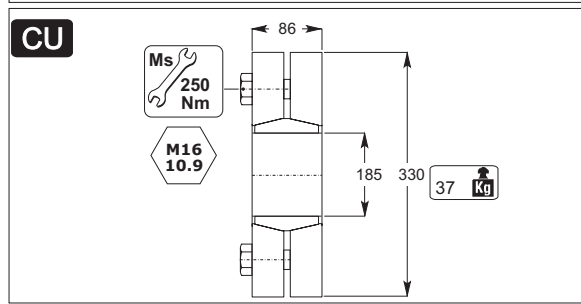
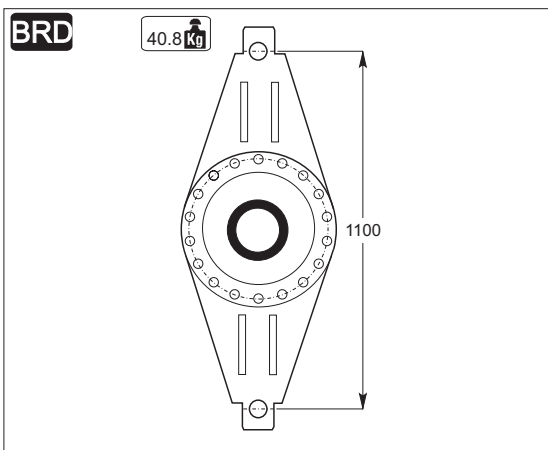
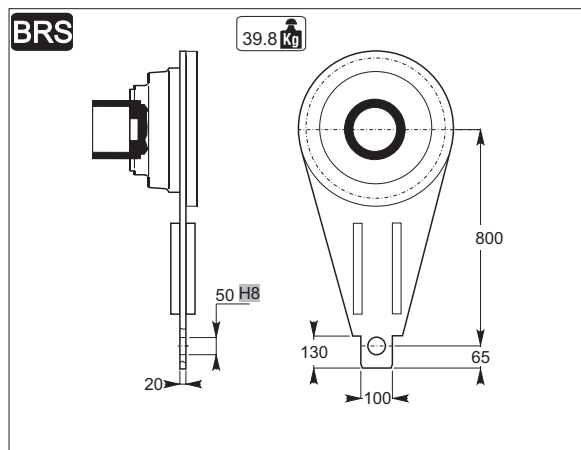
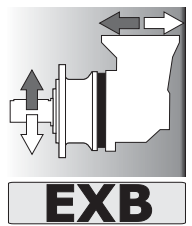
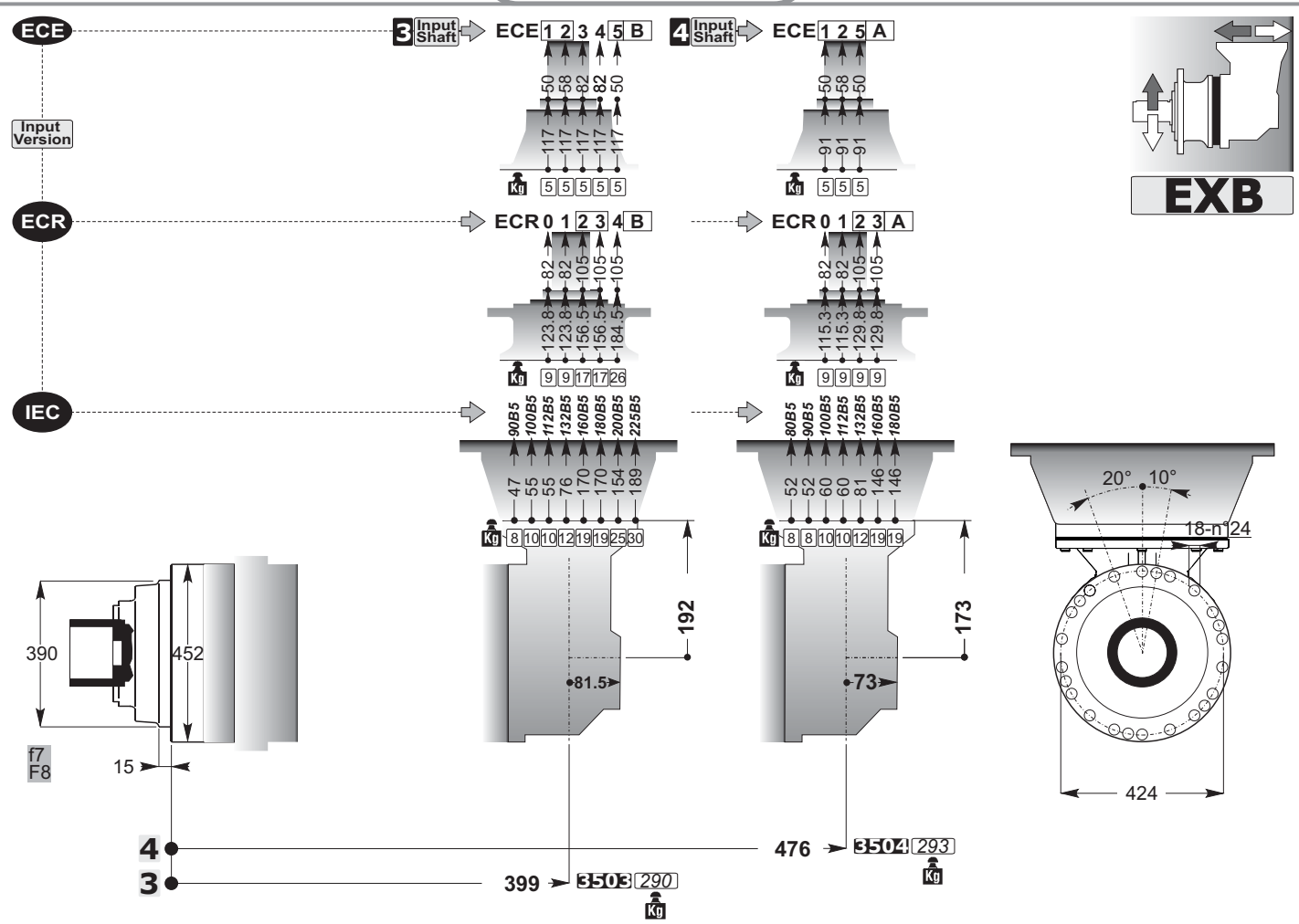
SD

18

Accessories

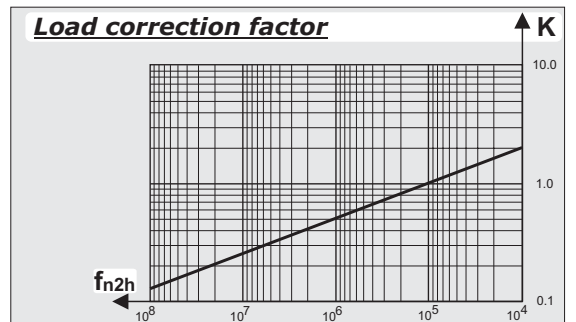
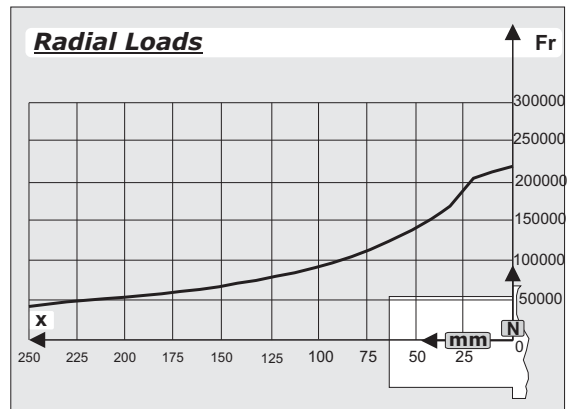
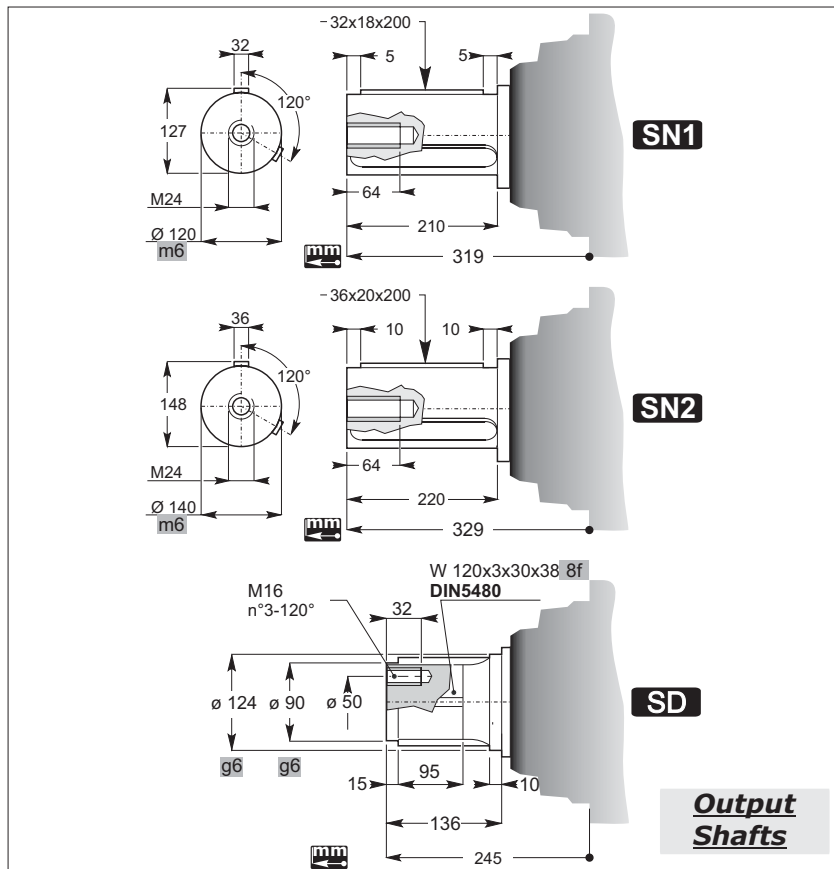
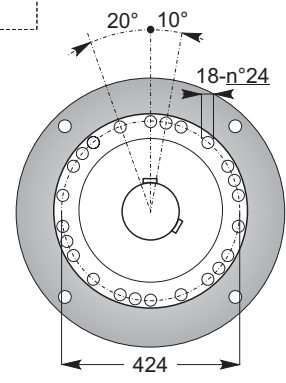
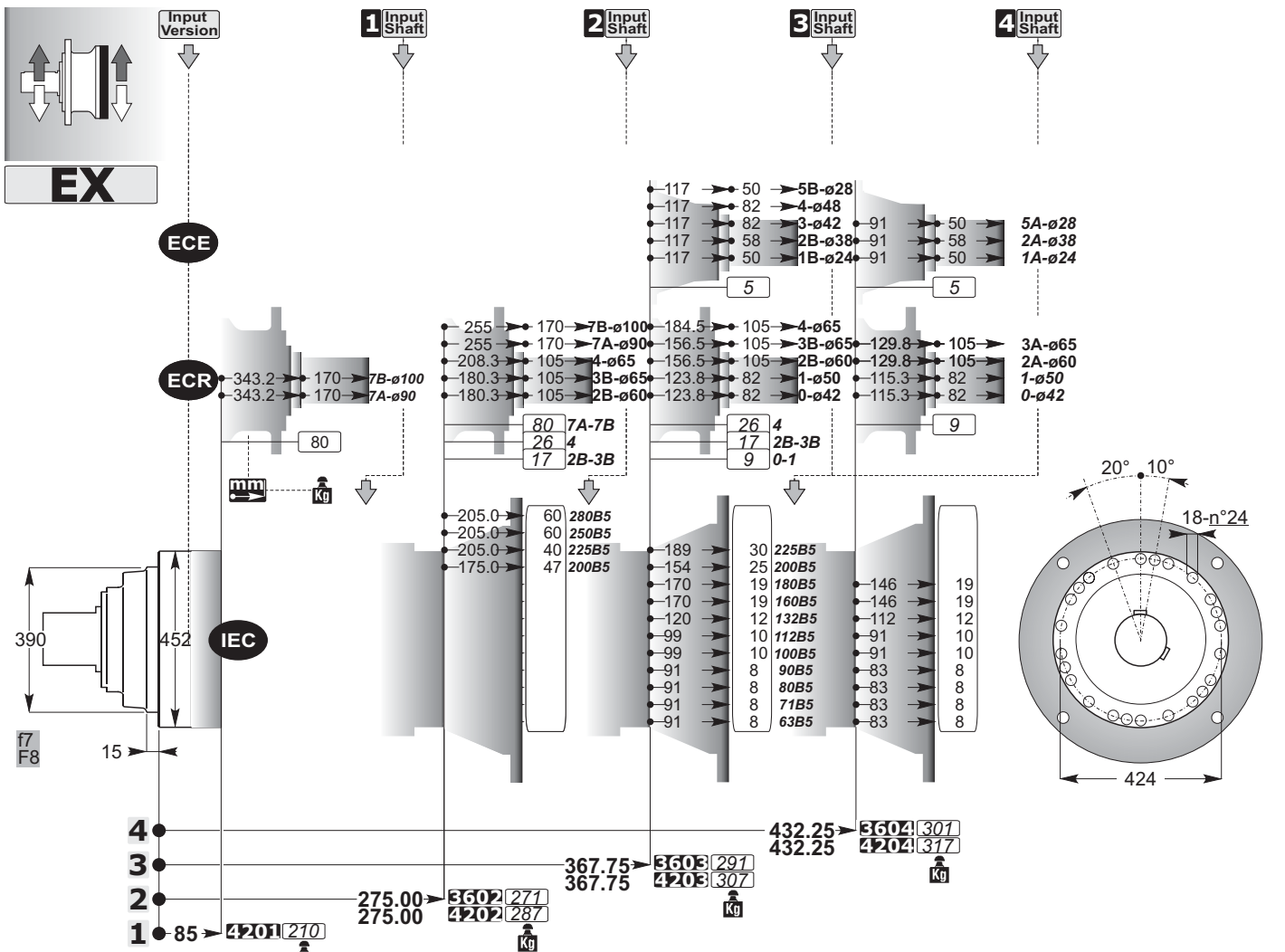


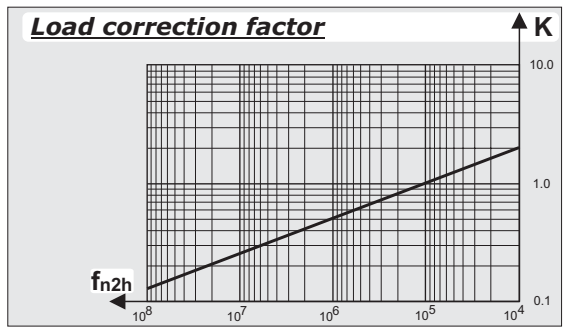
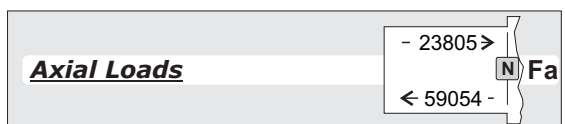
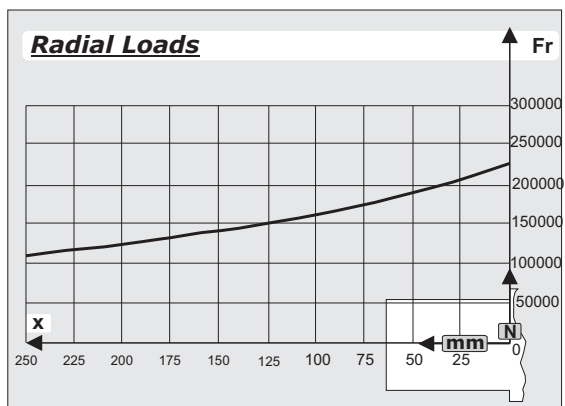
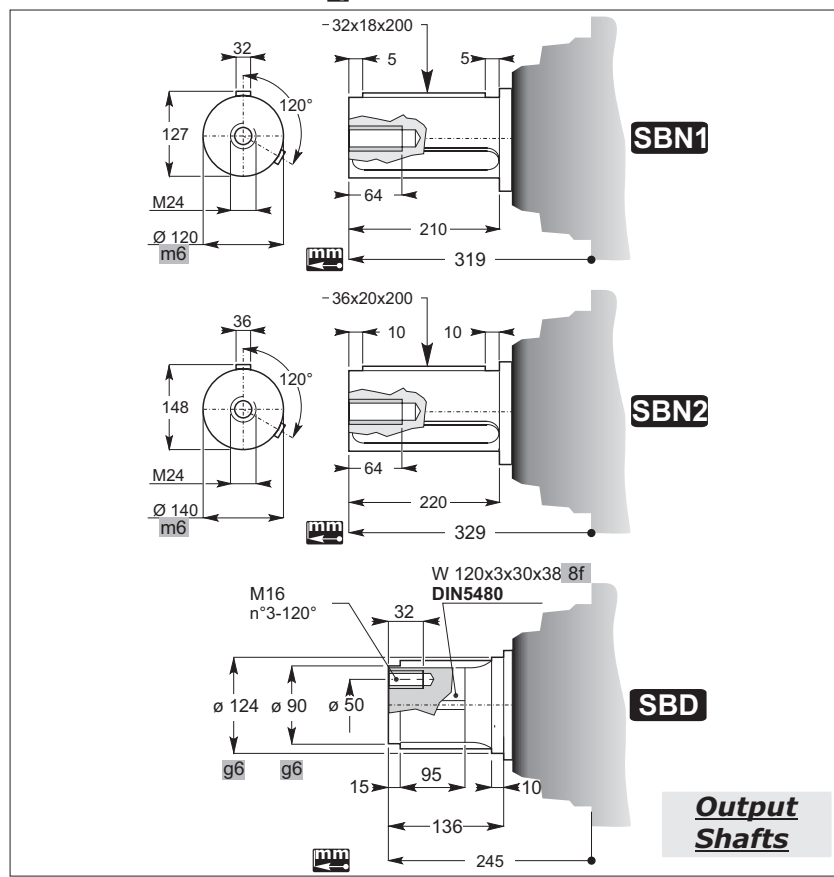
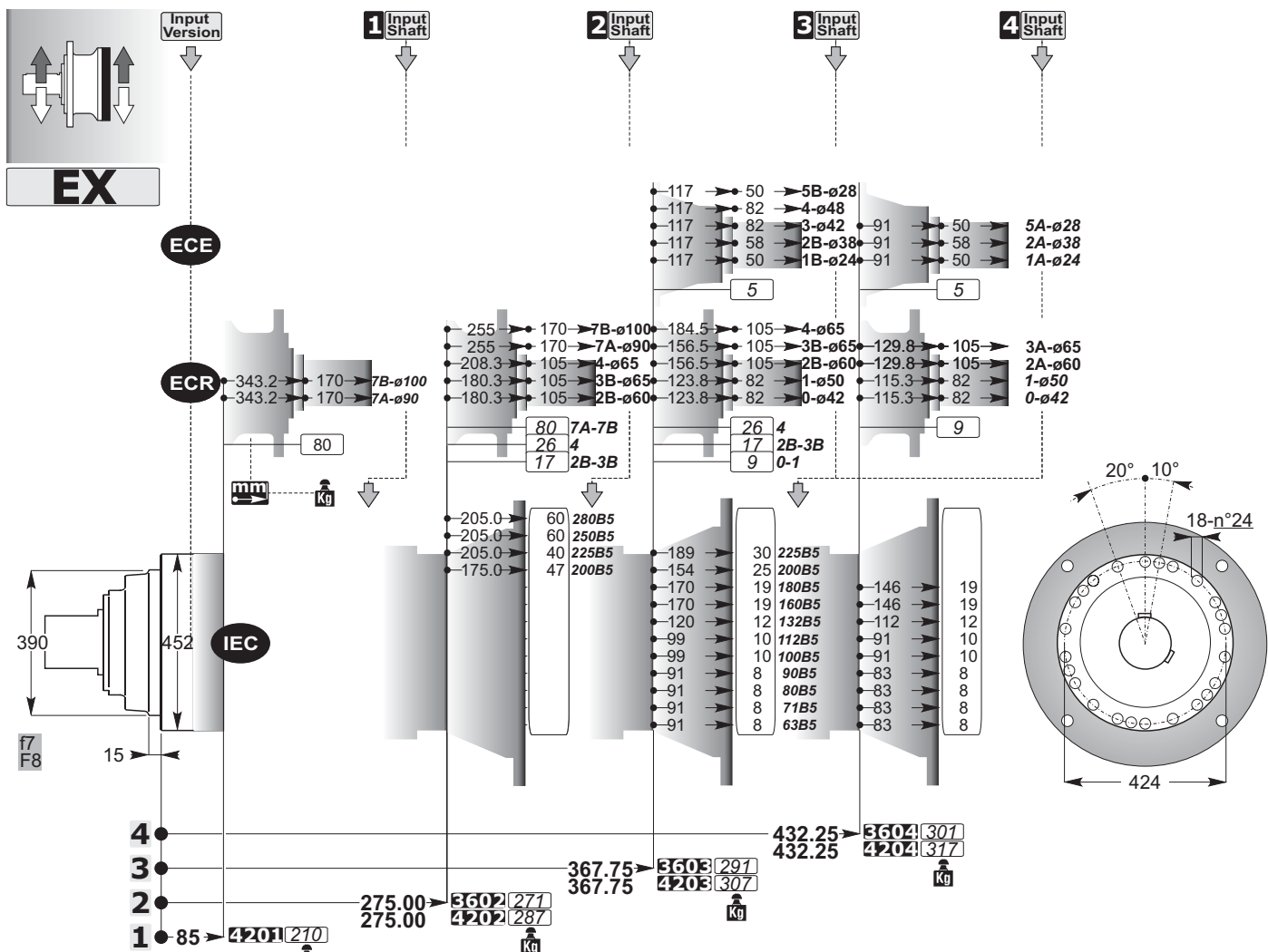


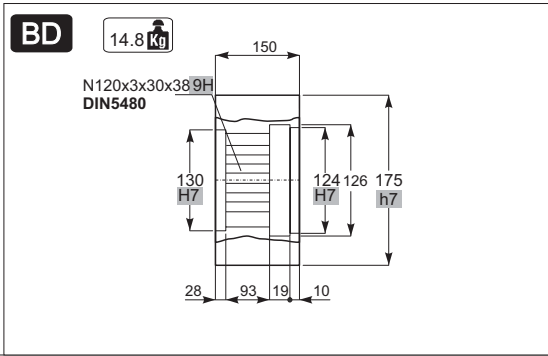
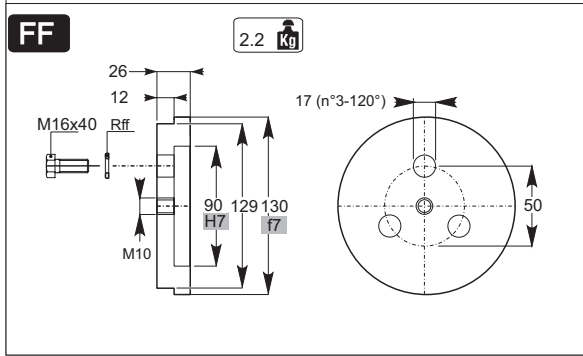
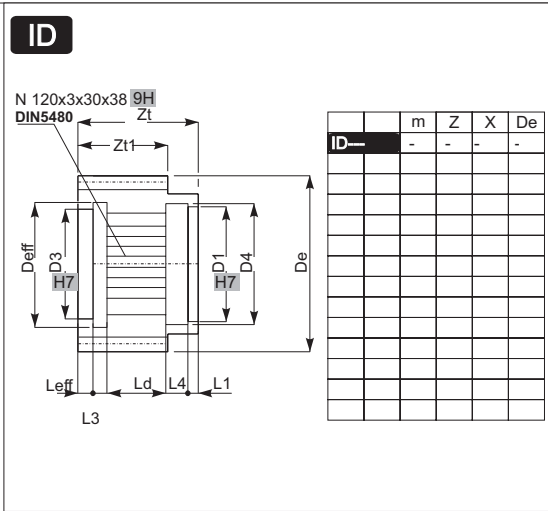
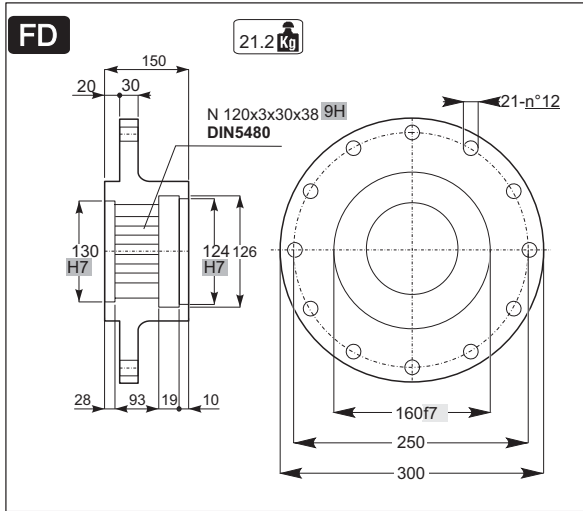
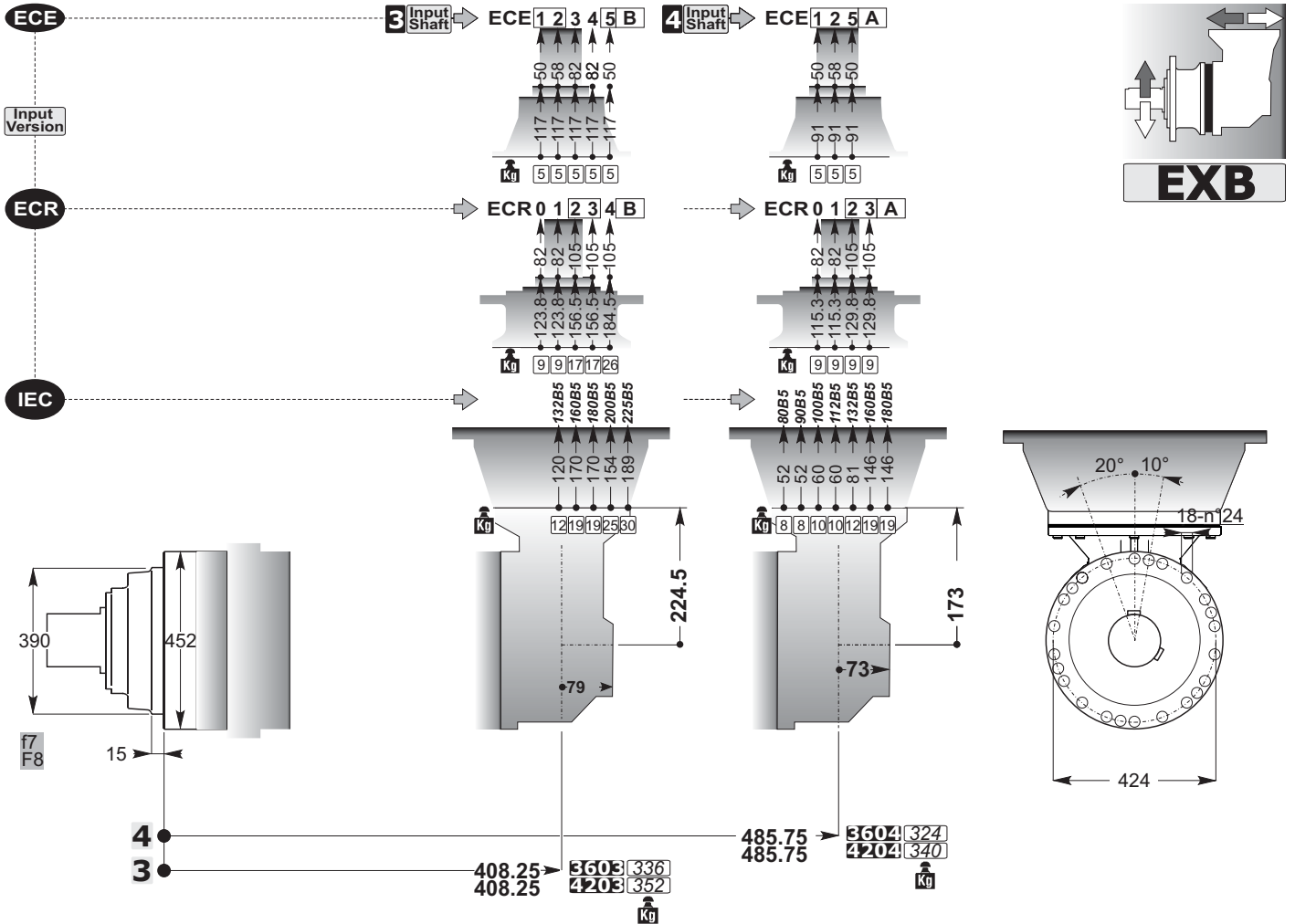


mm

C



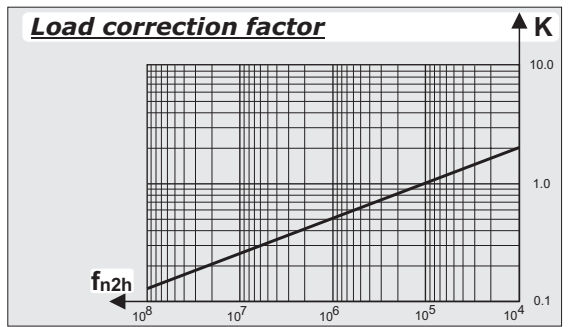
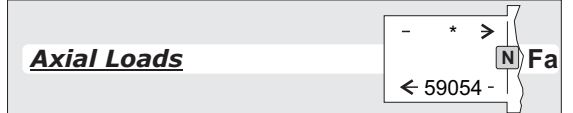
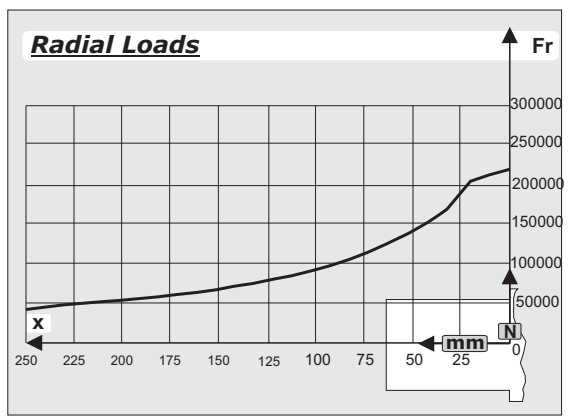
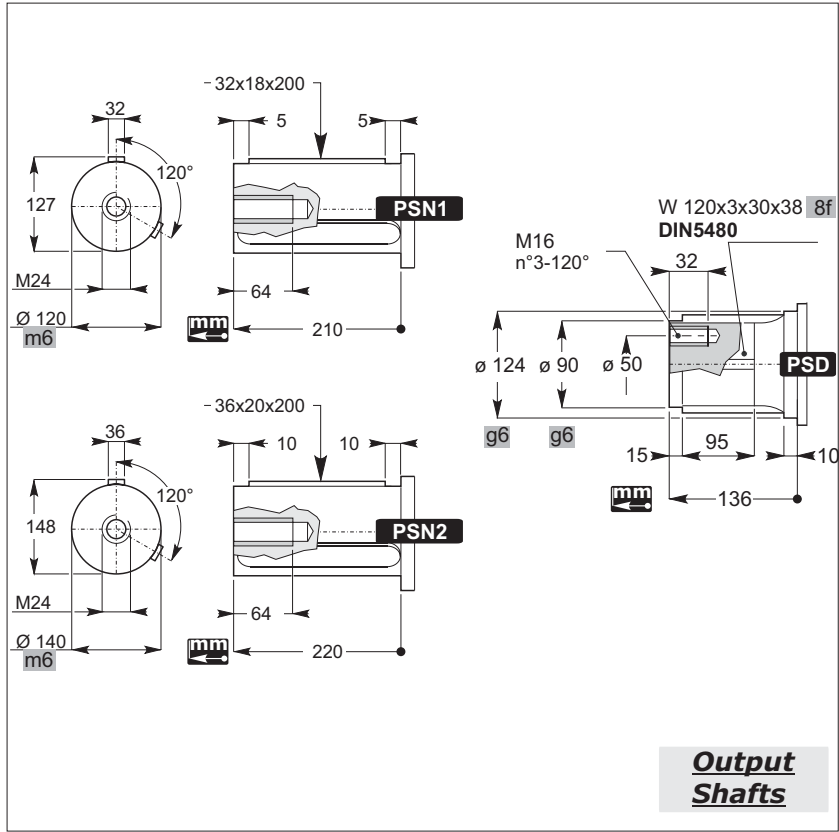
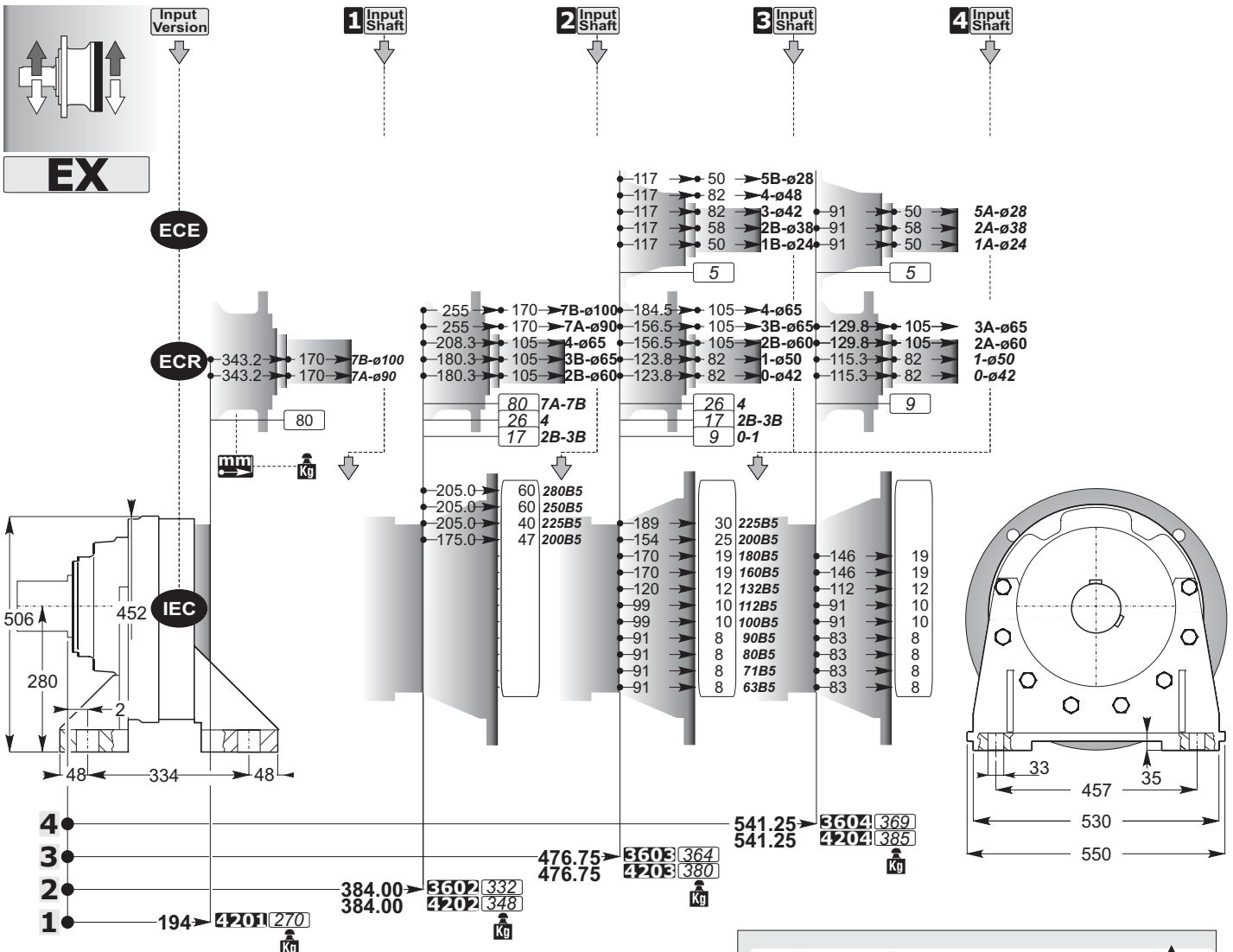


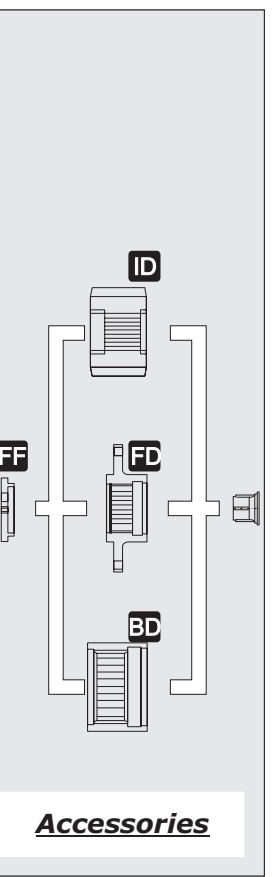
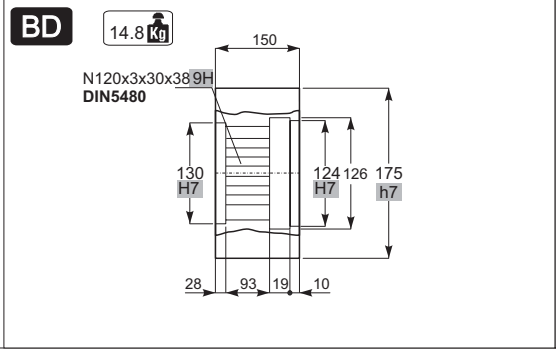
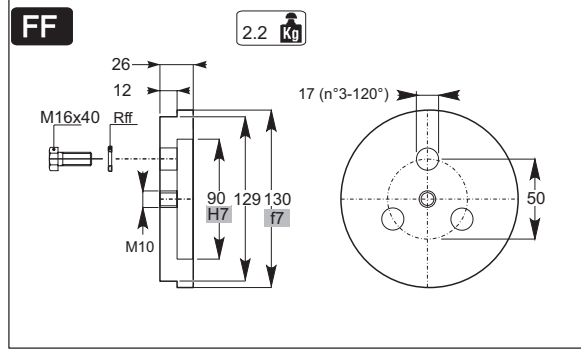
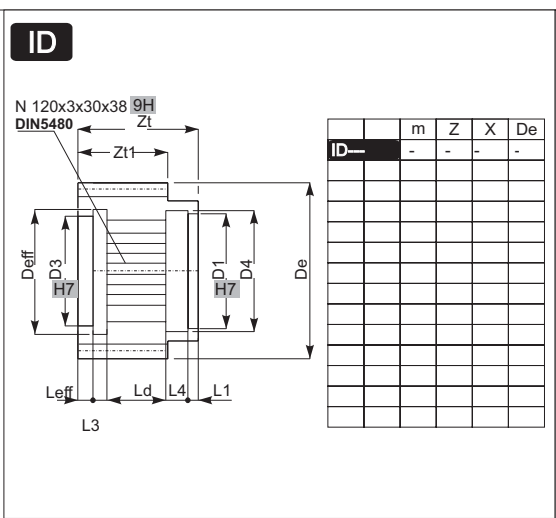
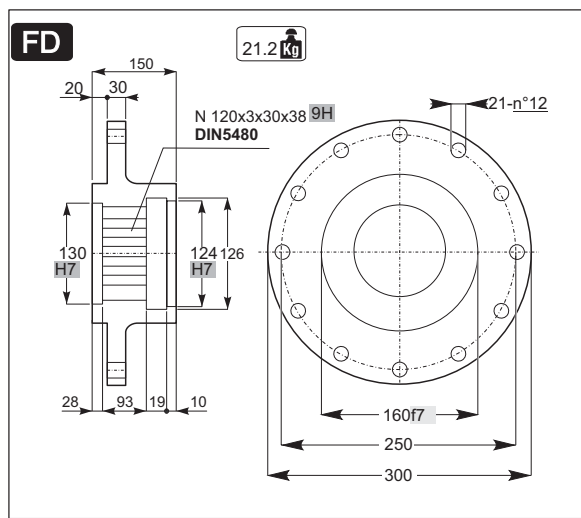
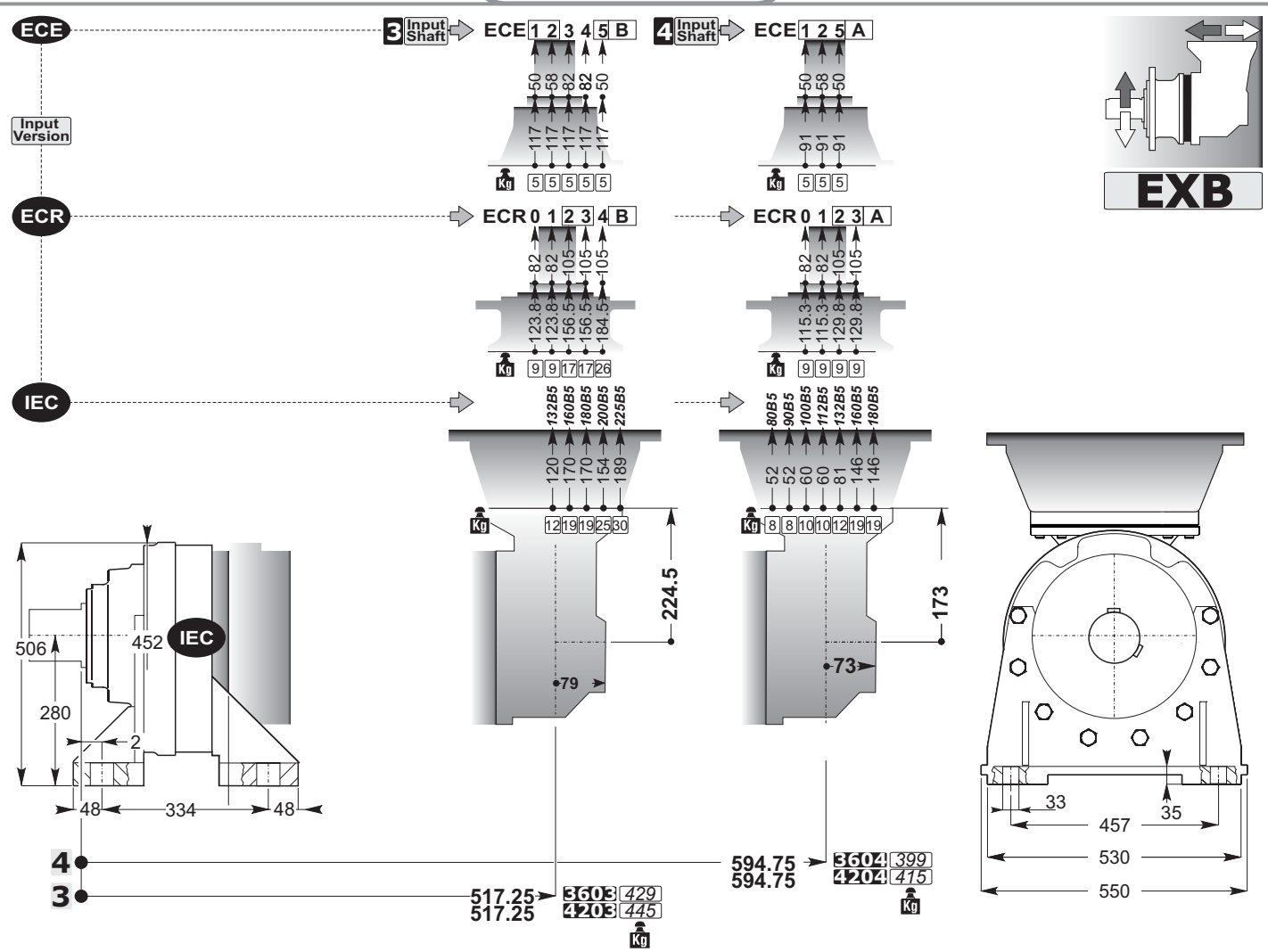


Accessories

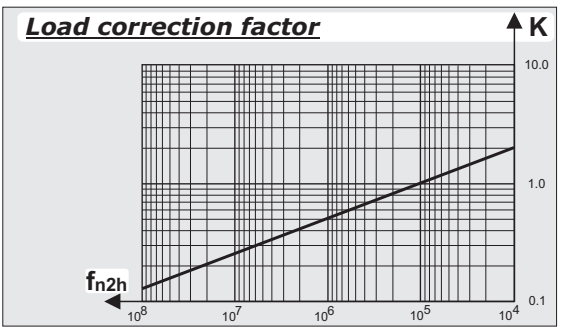
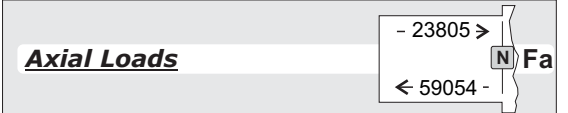
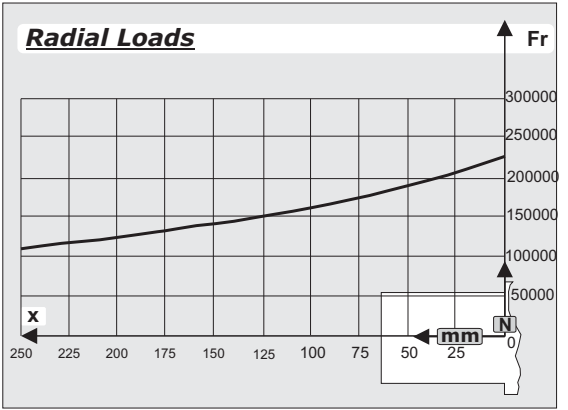
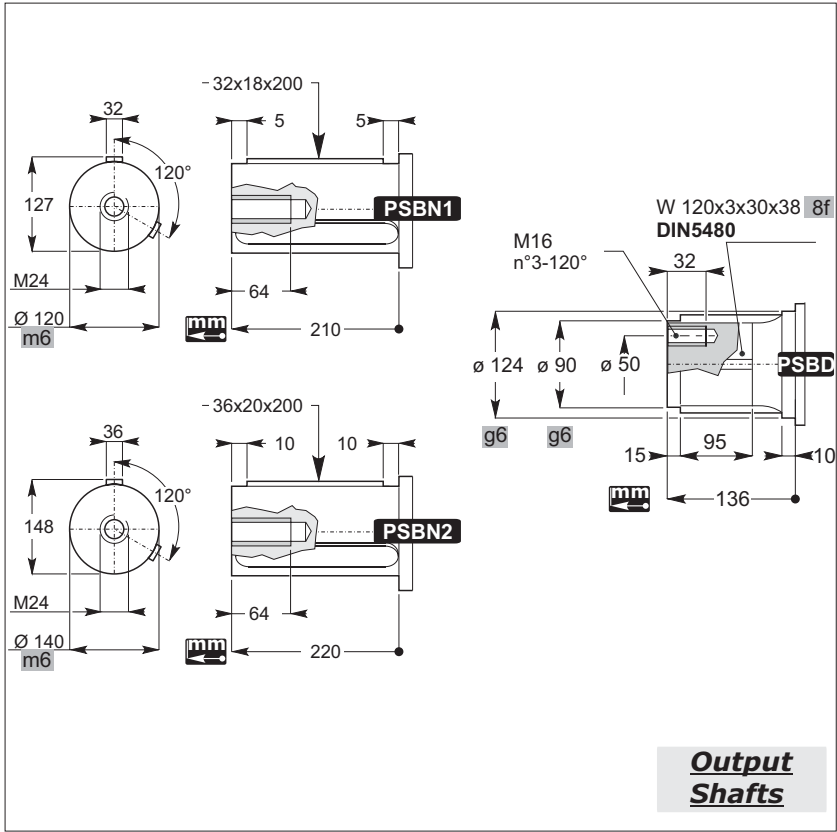
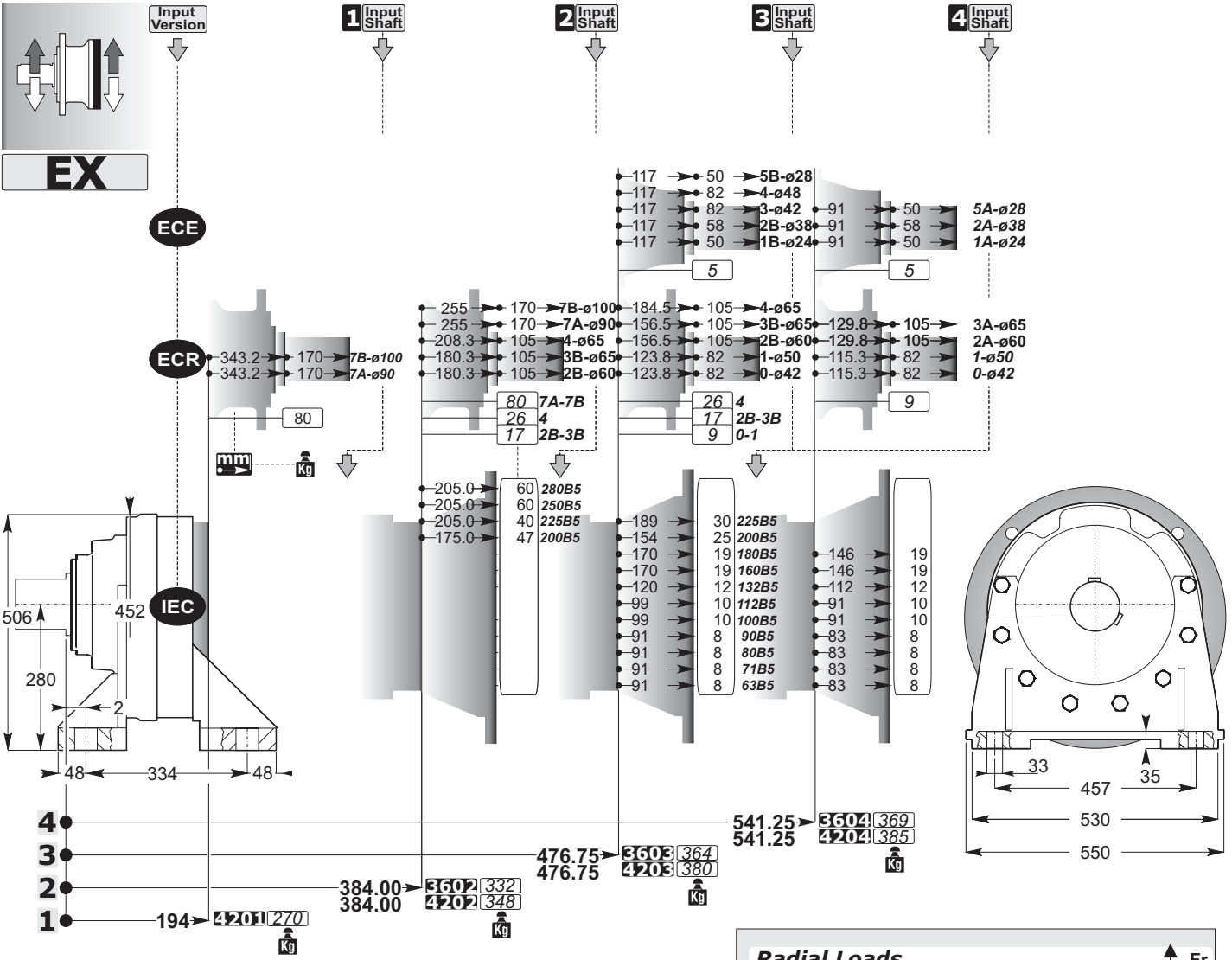
FF, FD, BD

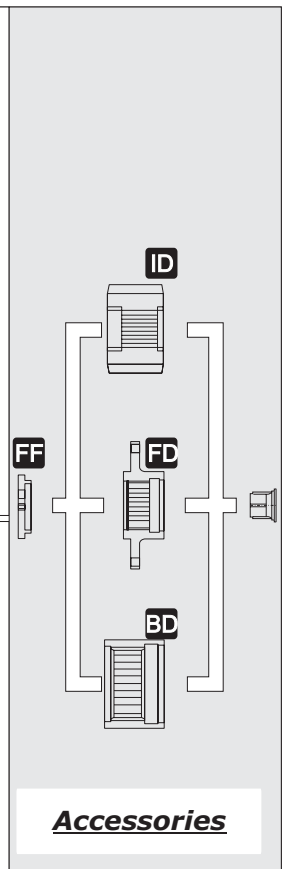
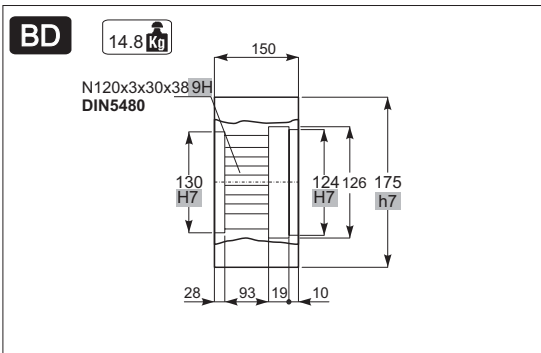
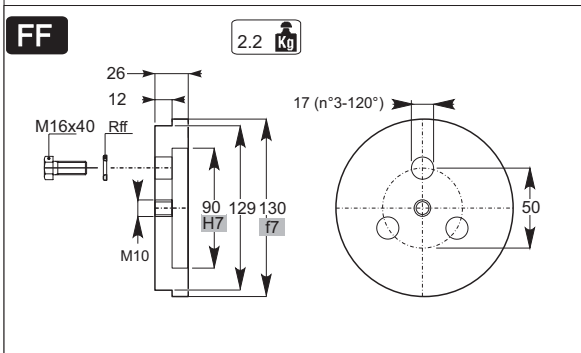
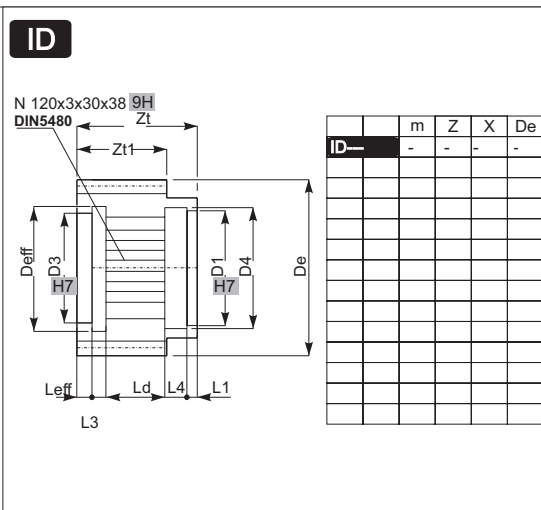
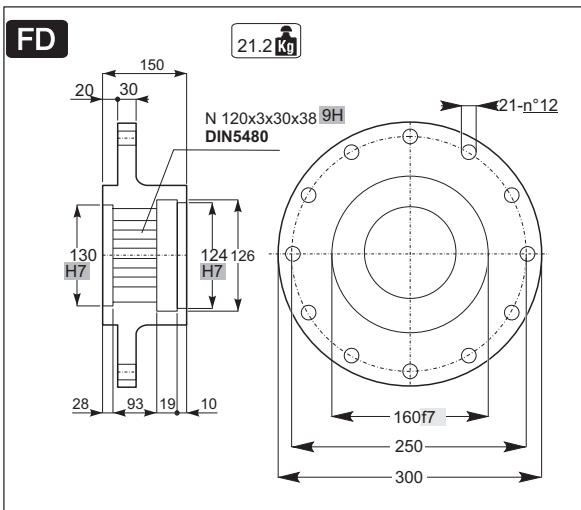
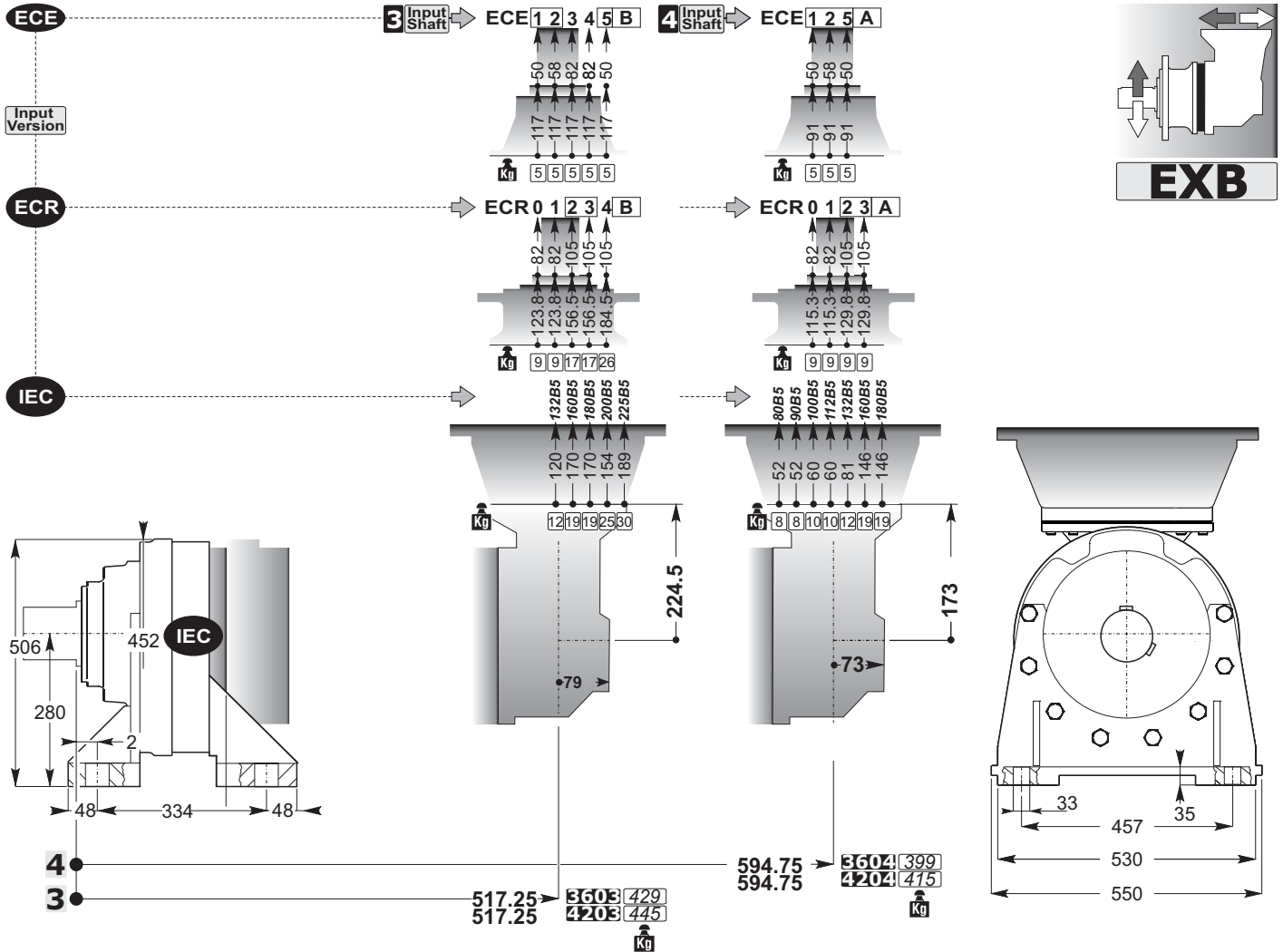
mm
C

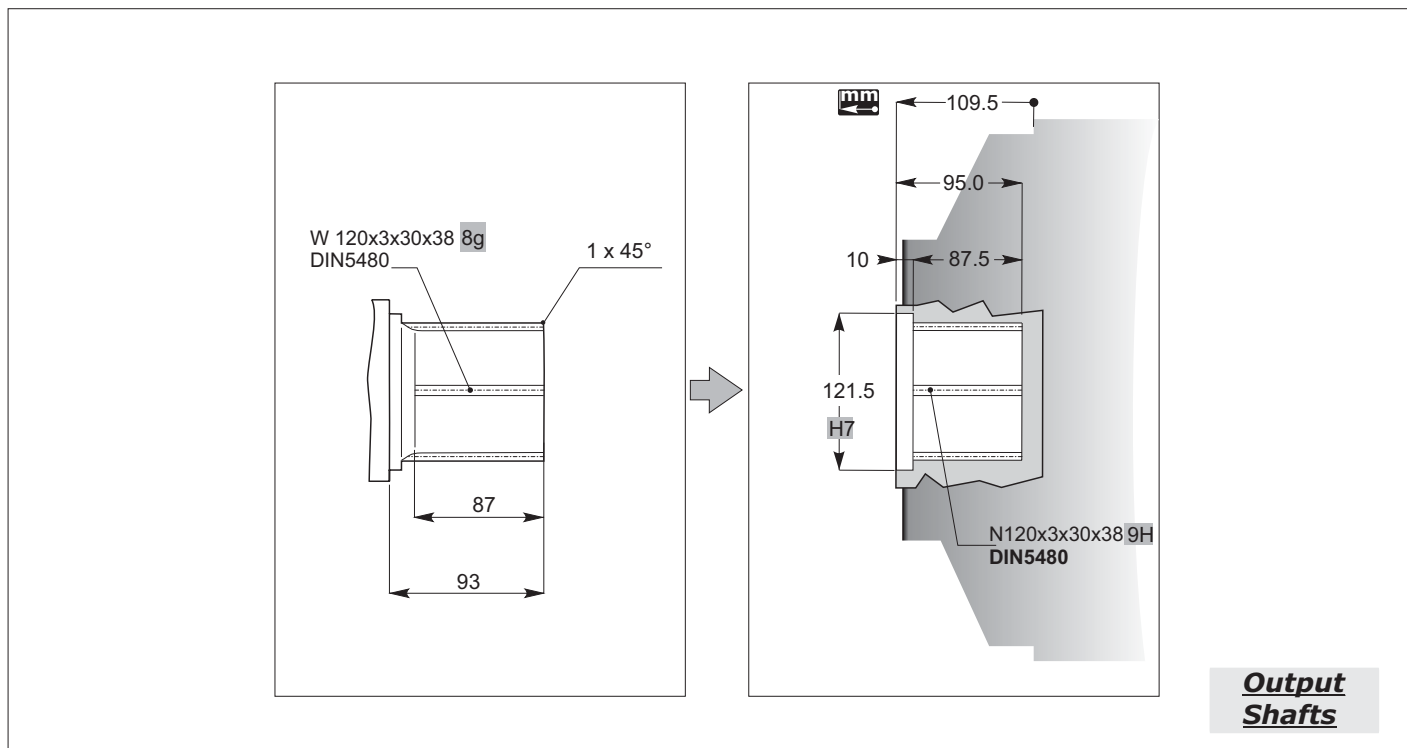
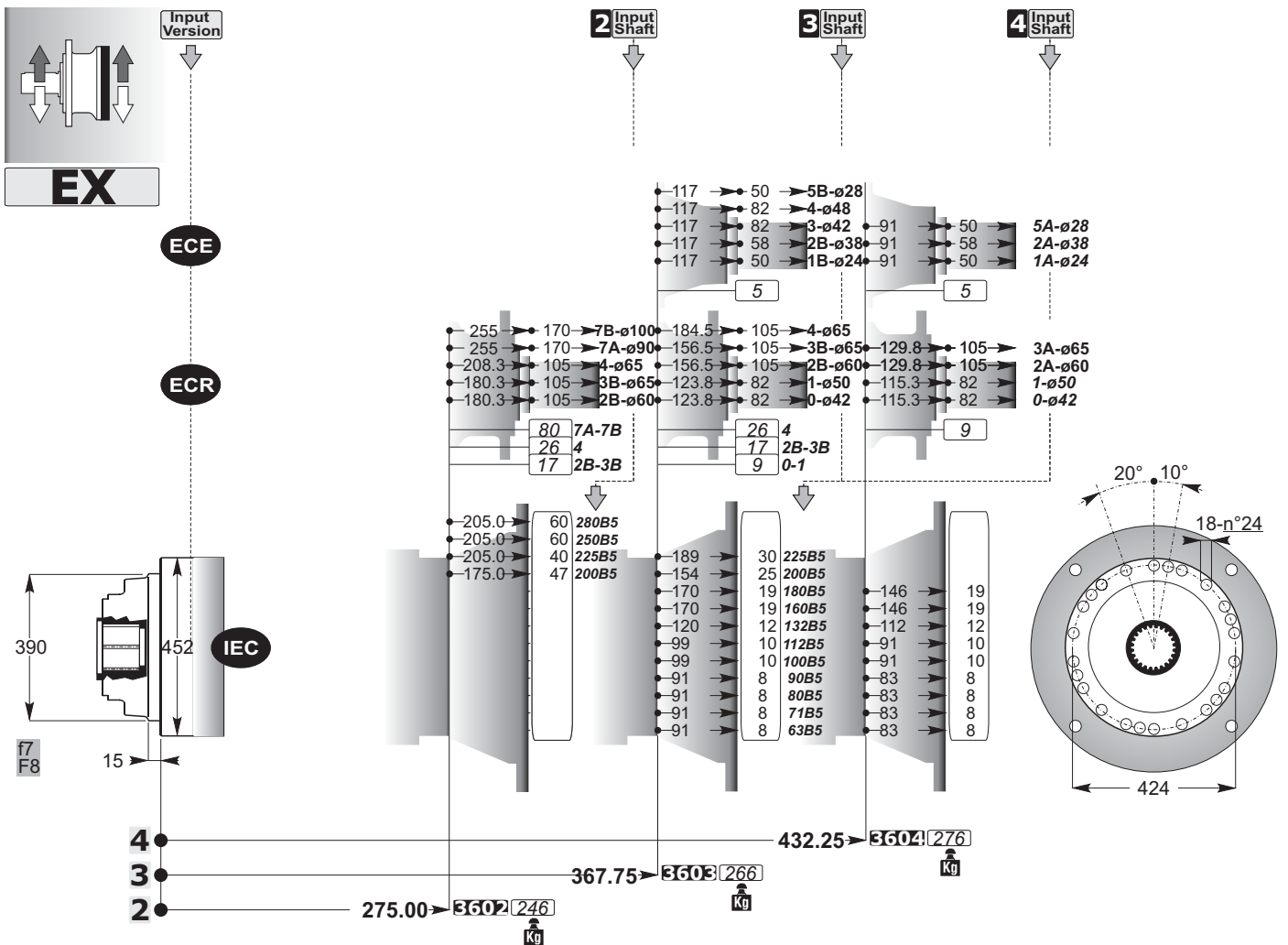


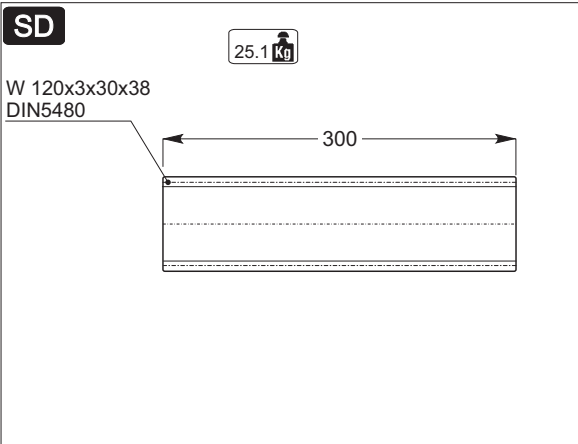
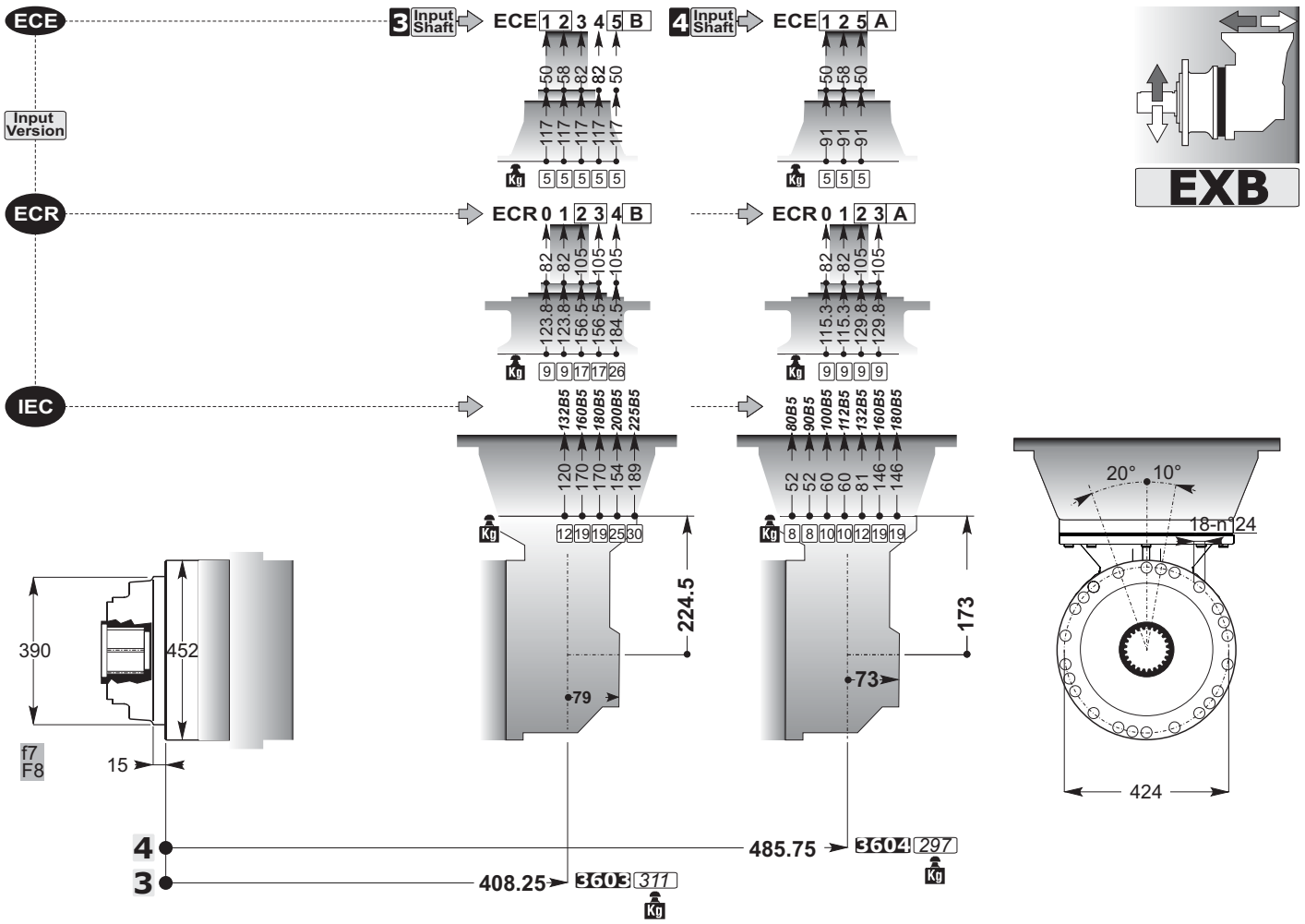


mm
C



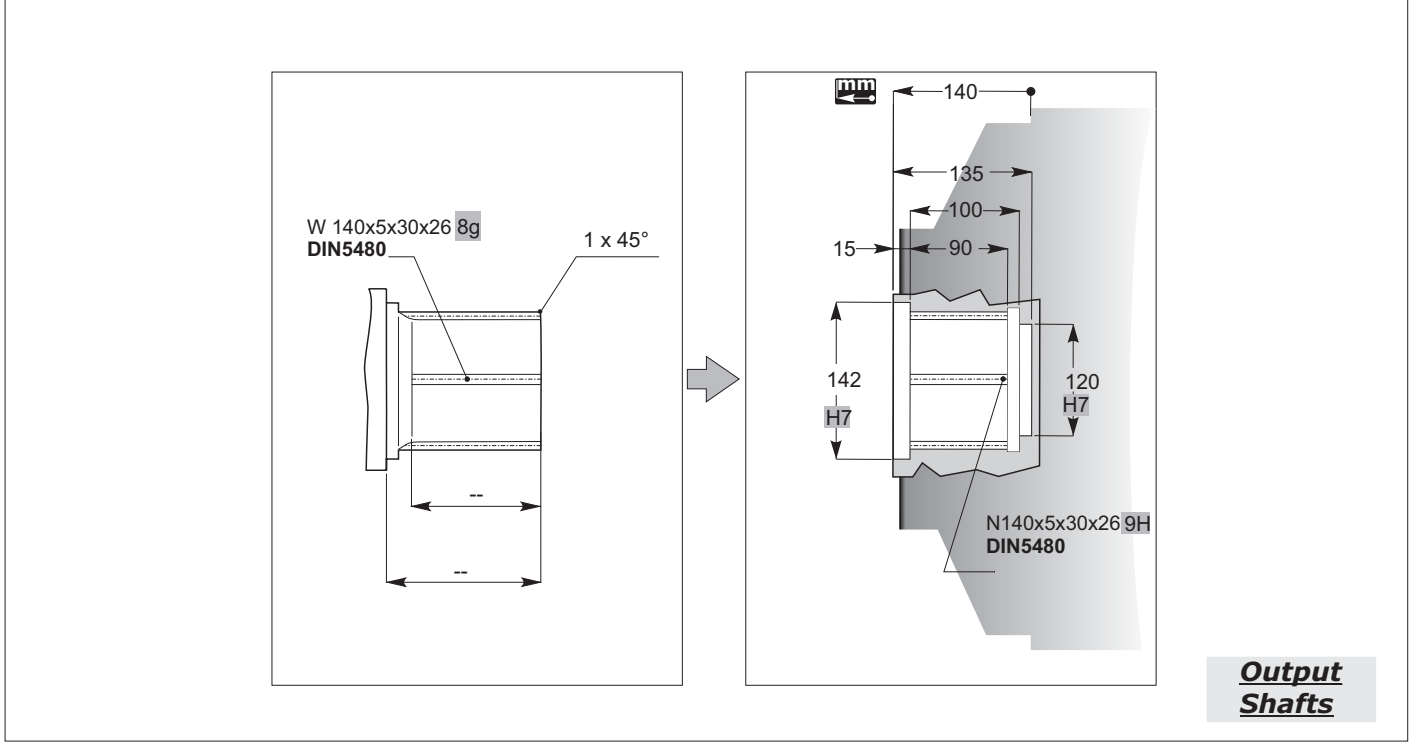
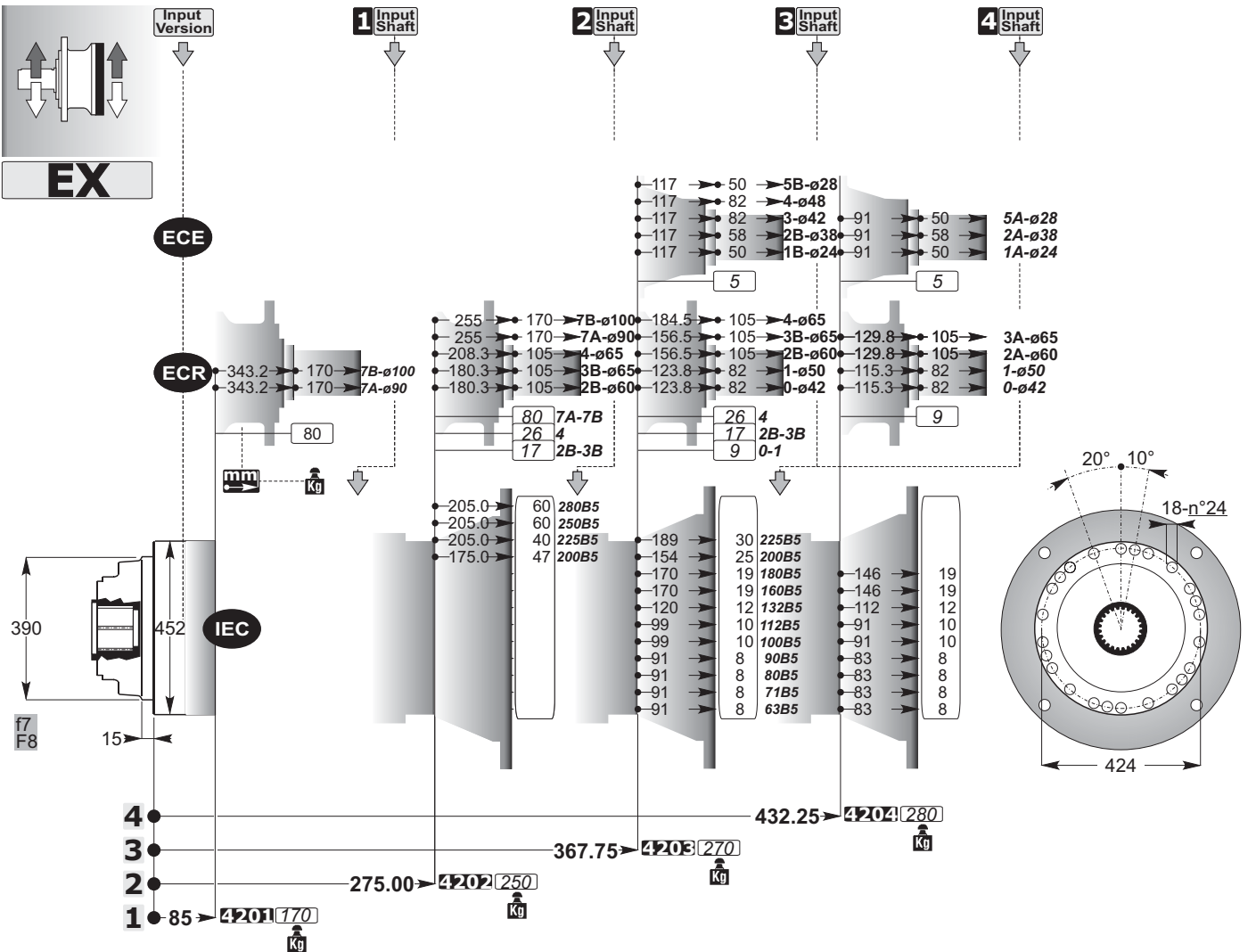


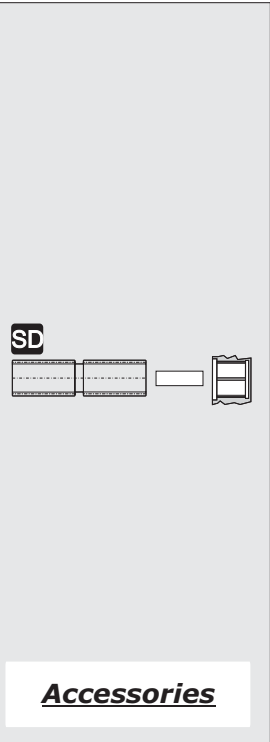
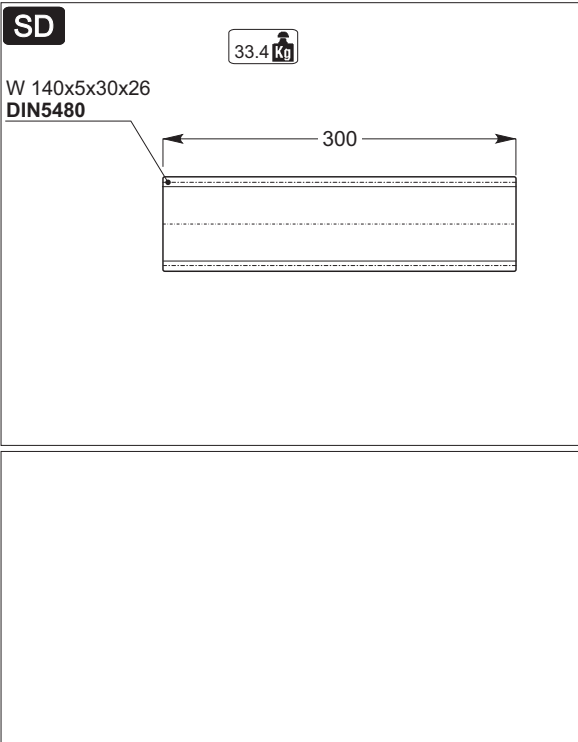
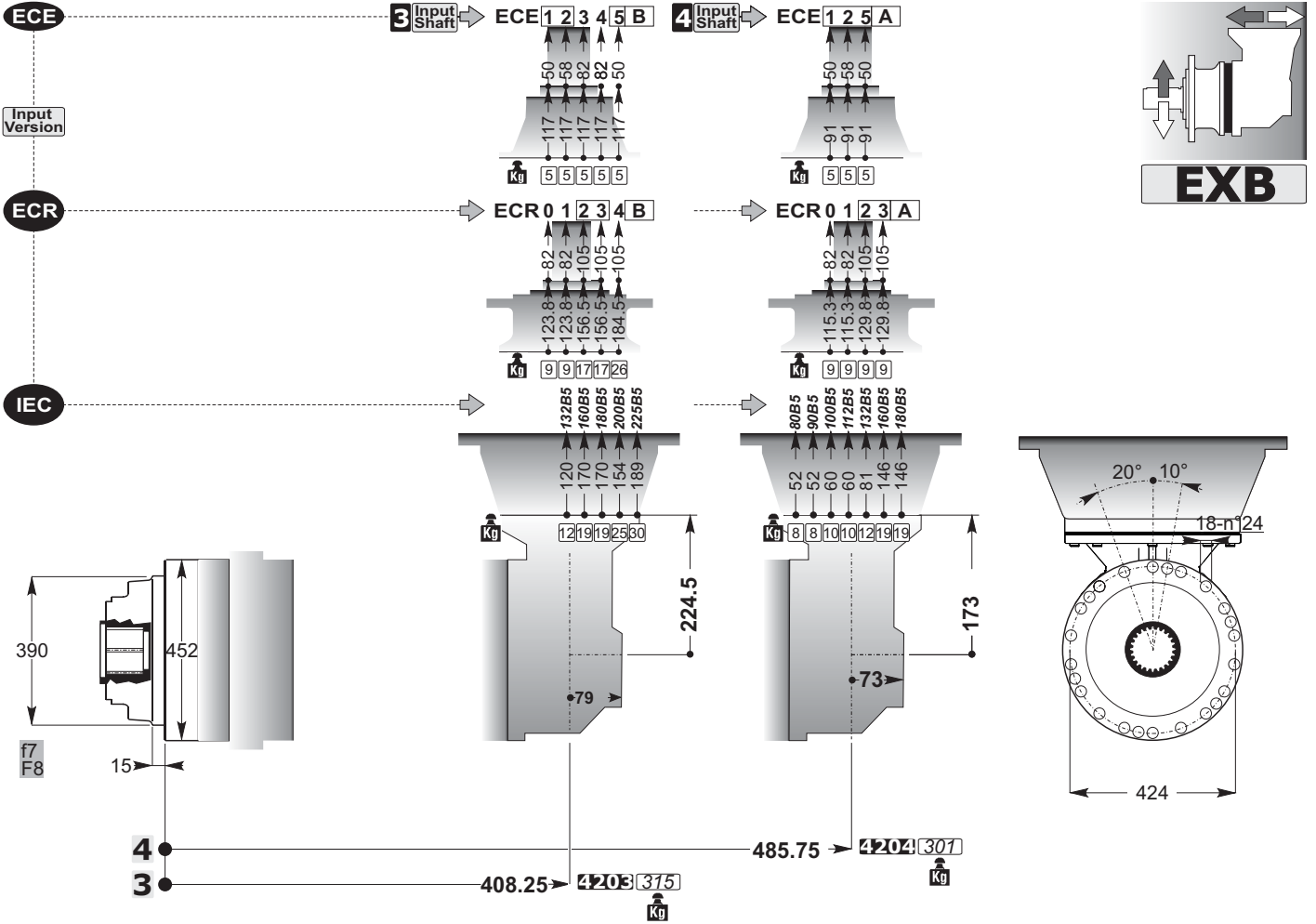


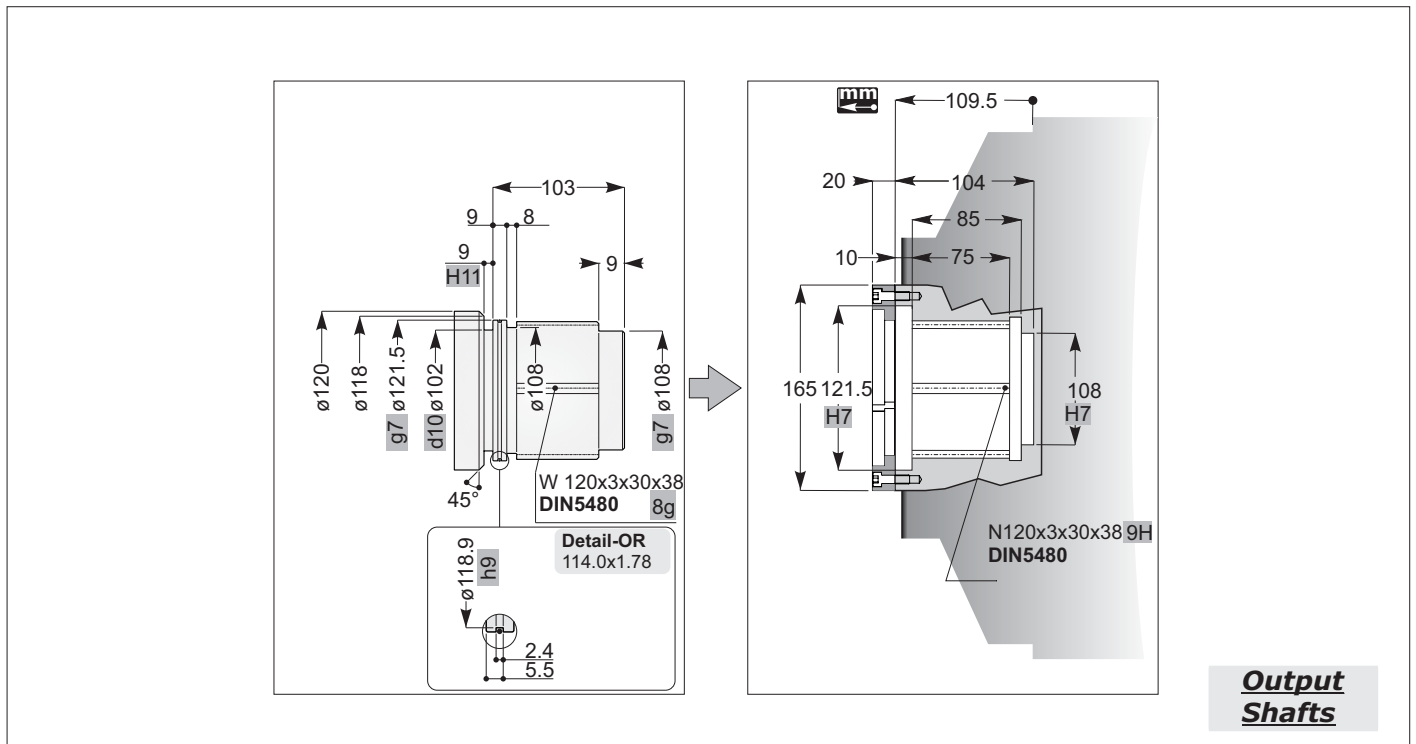
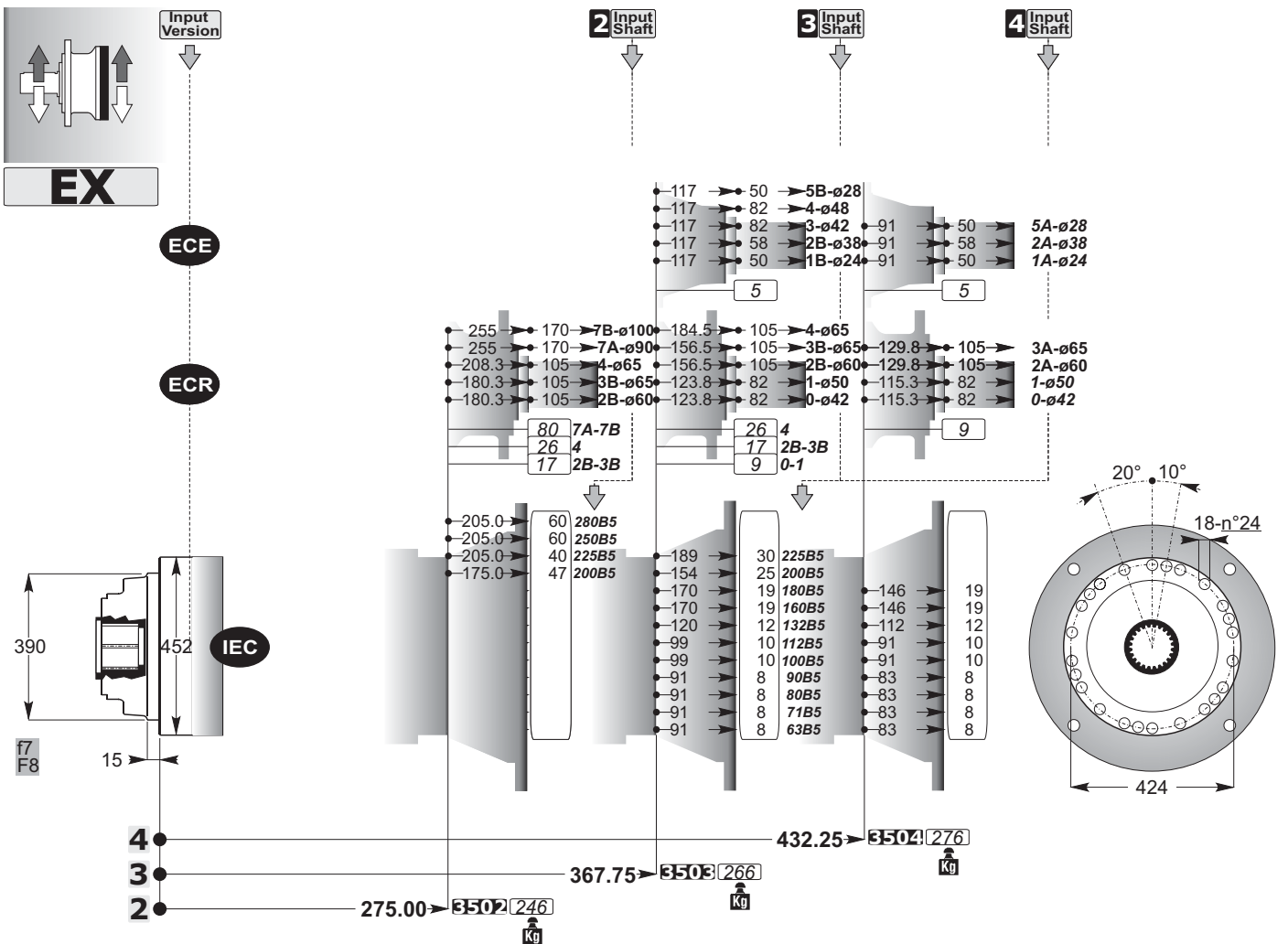


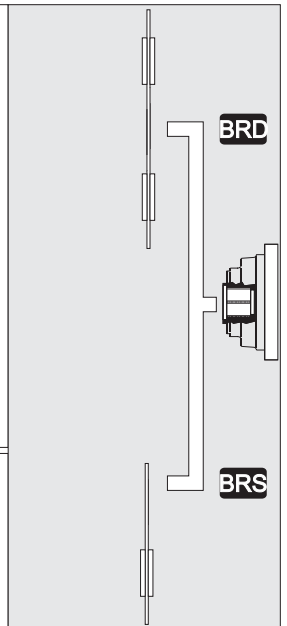
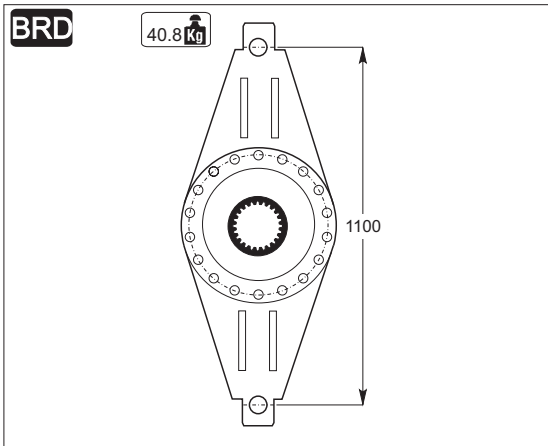
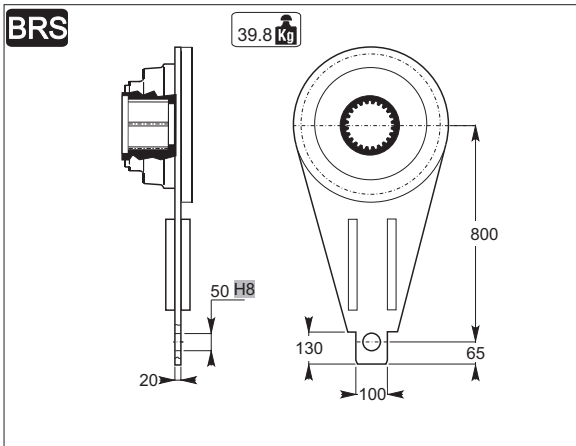
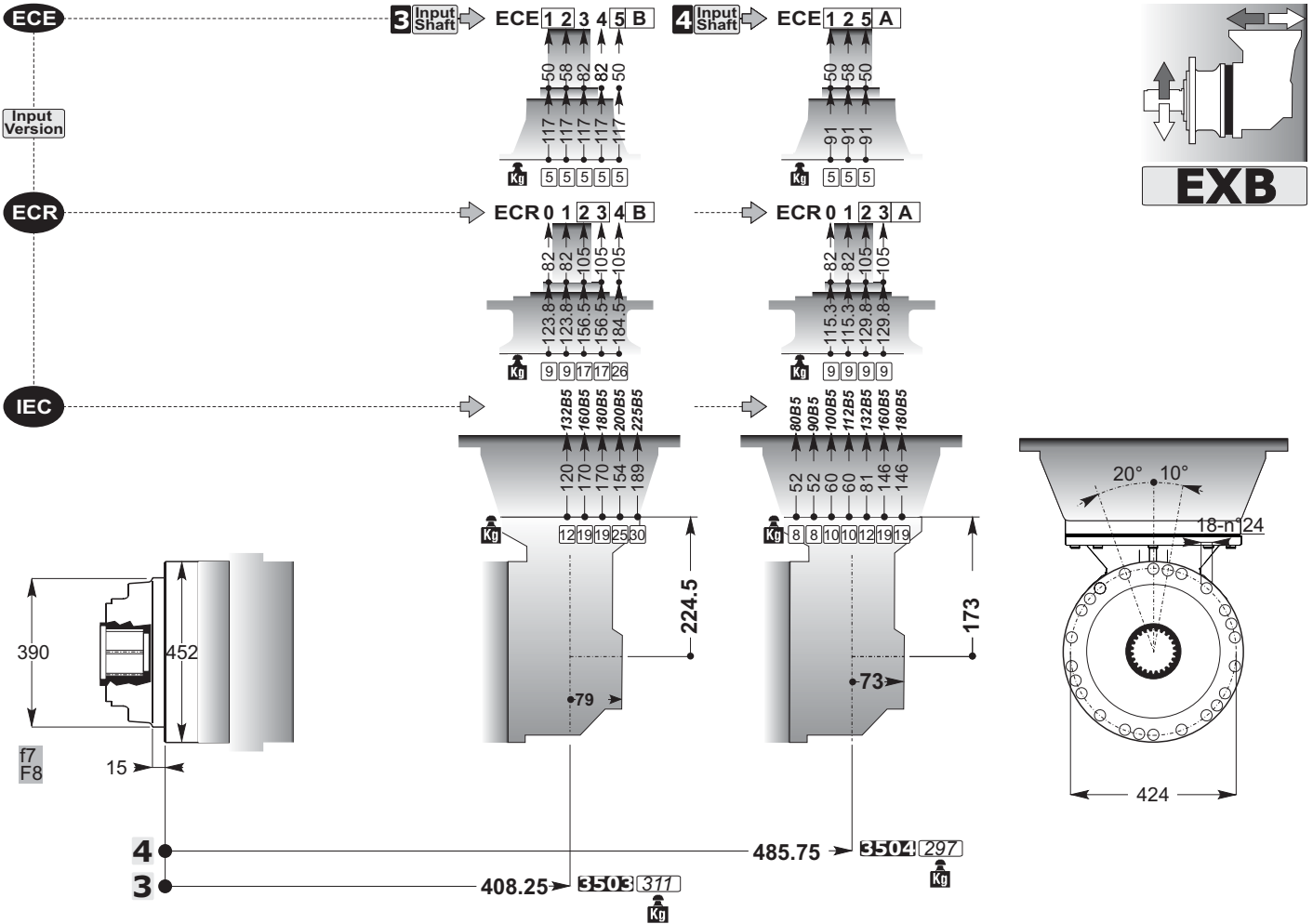
Accessories

mm
C



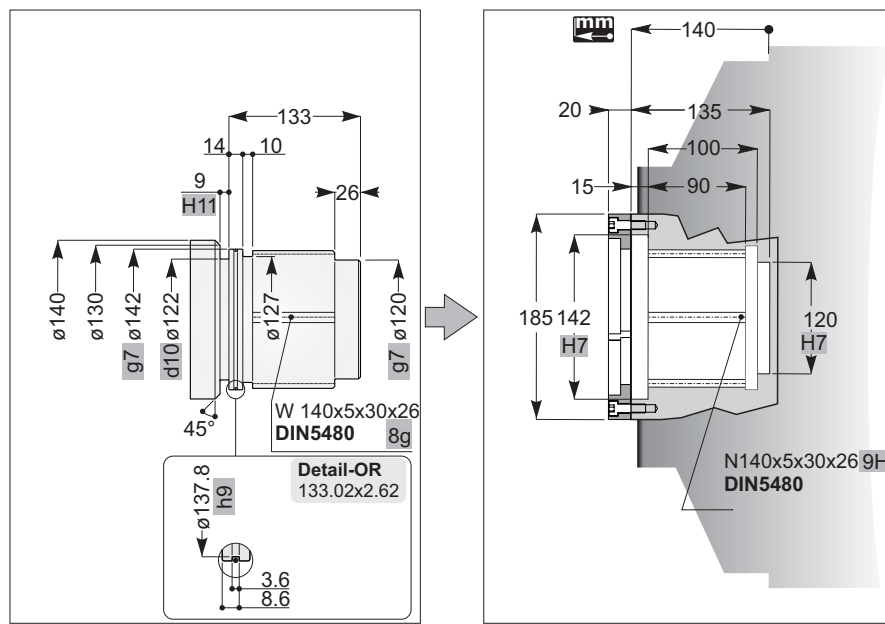
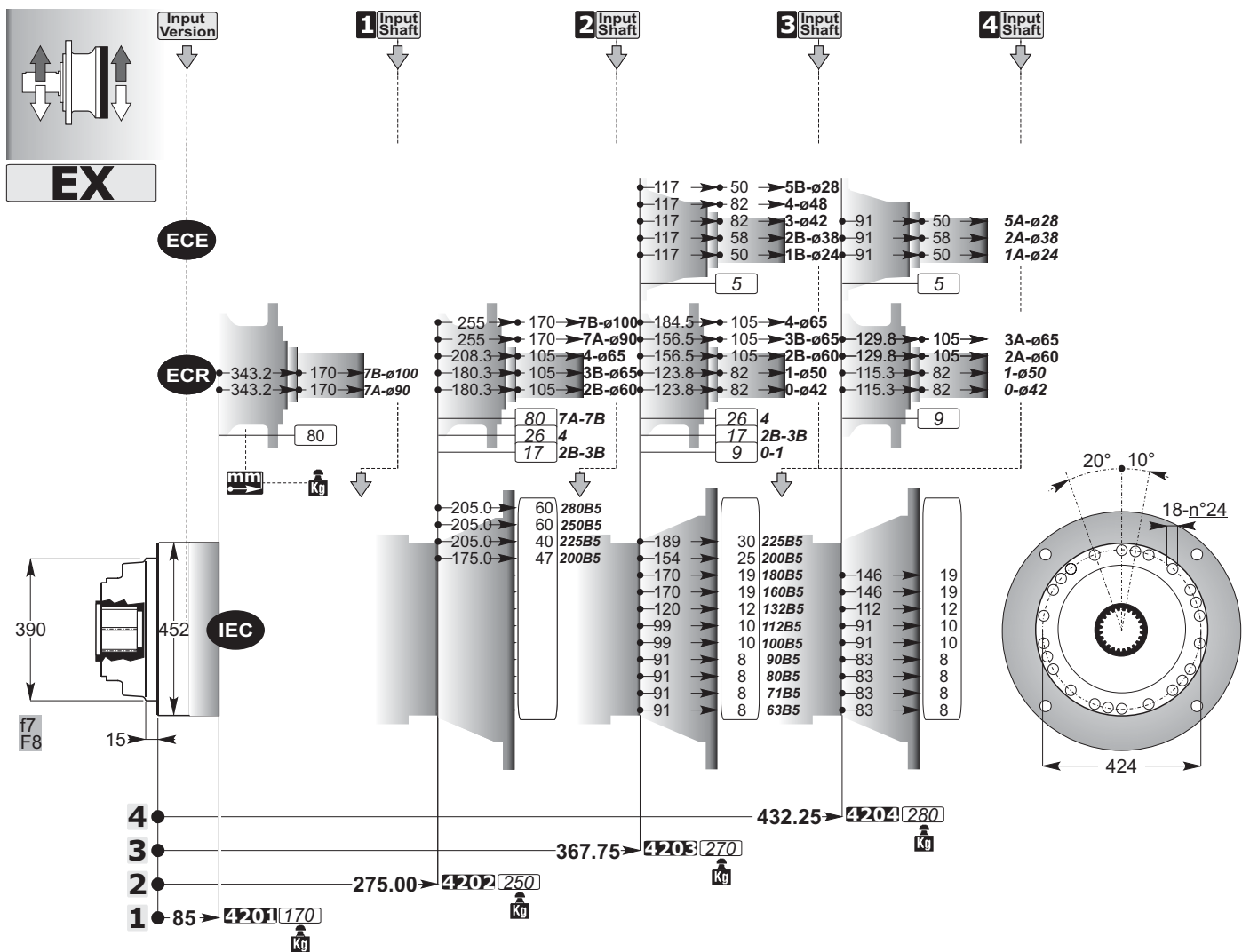


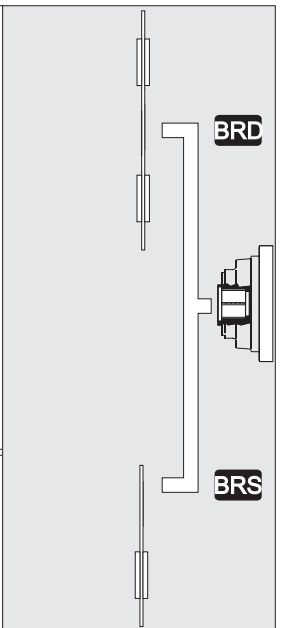
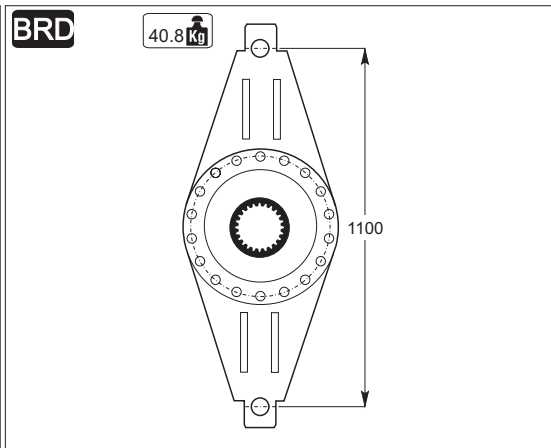
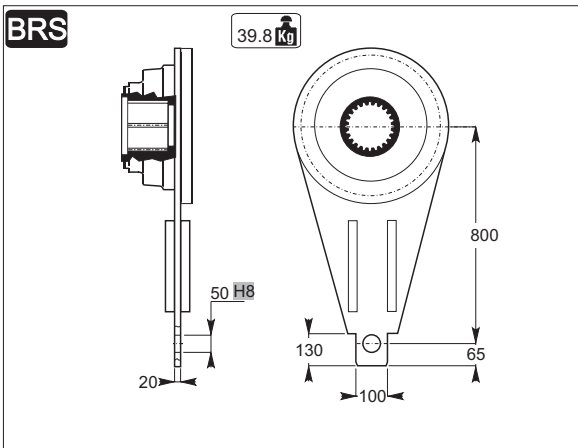
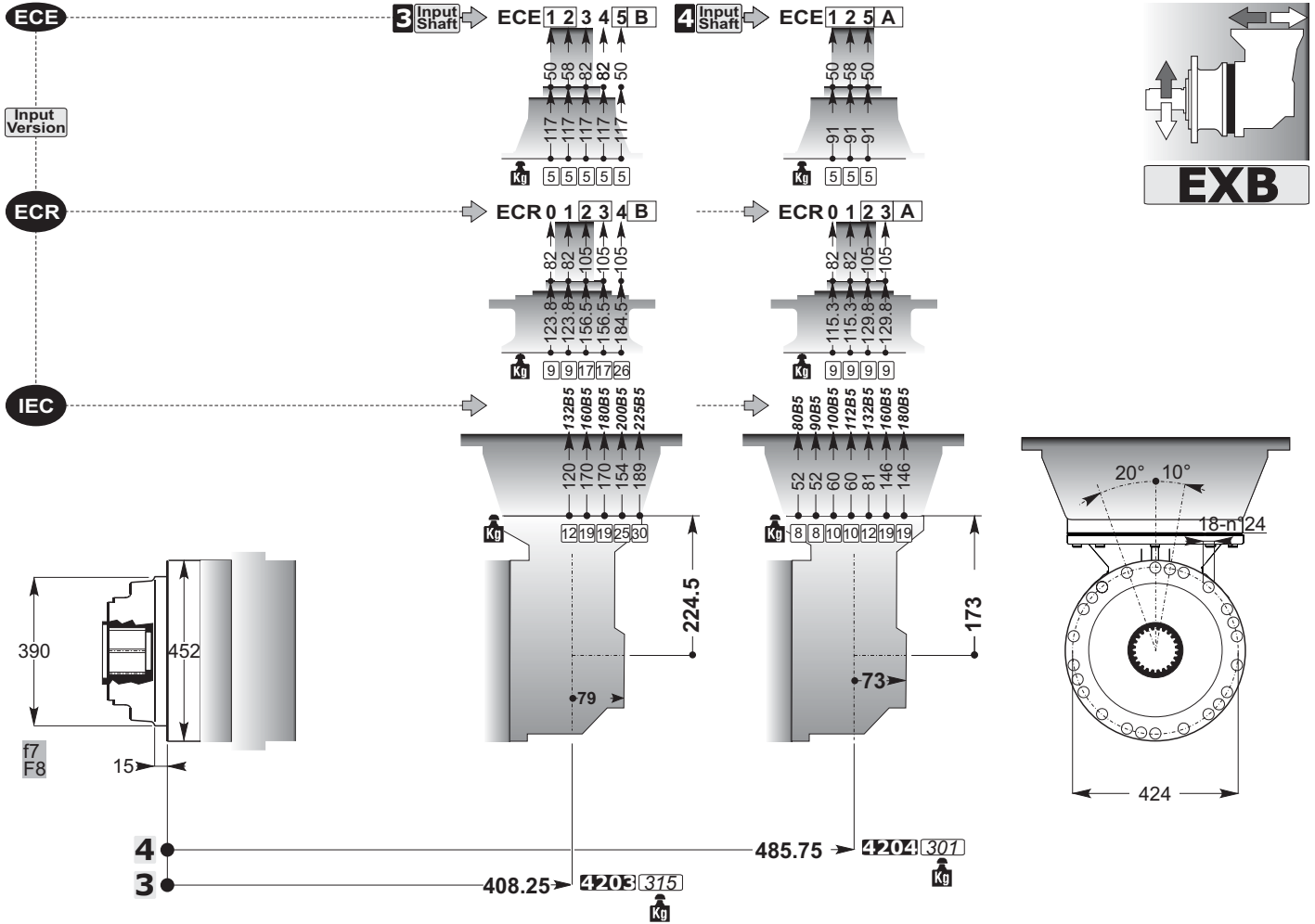




Accessories

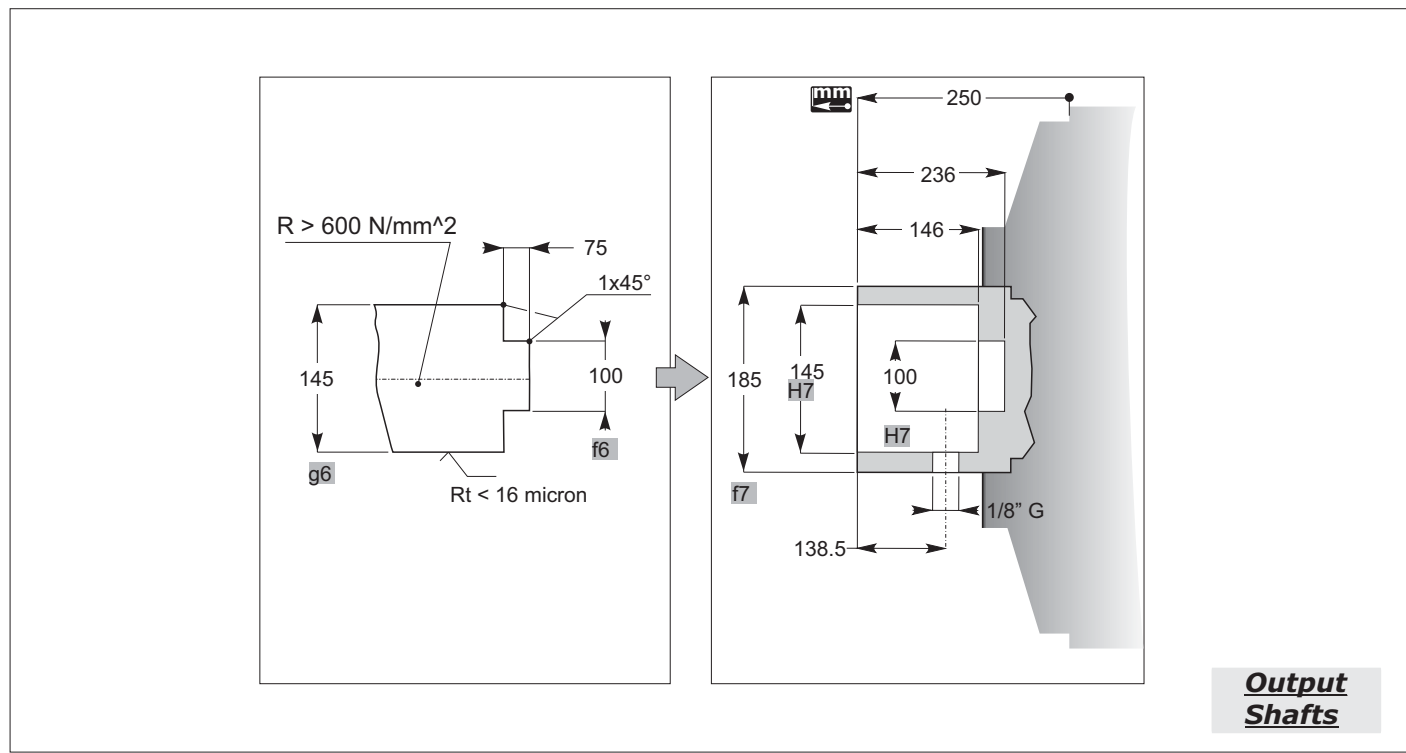
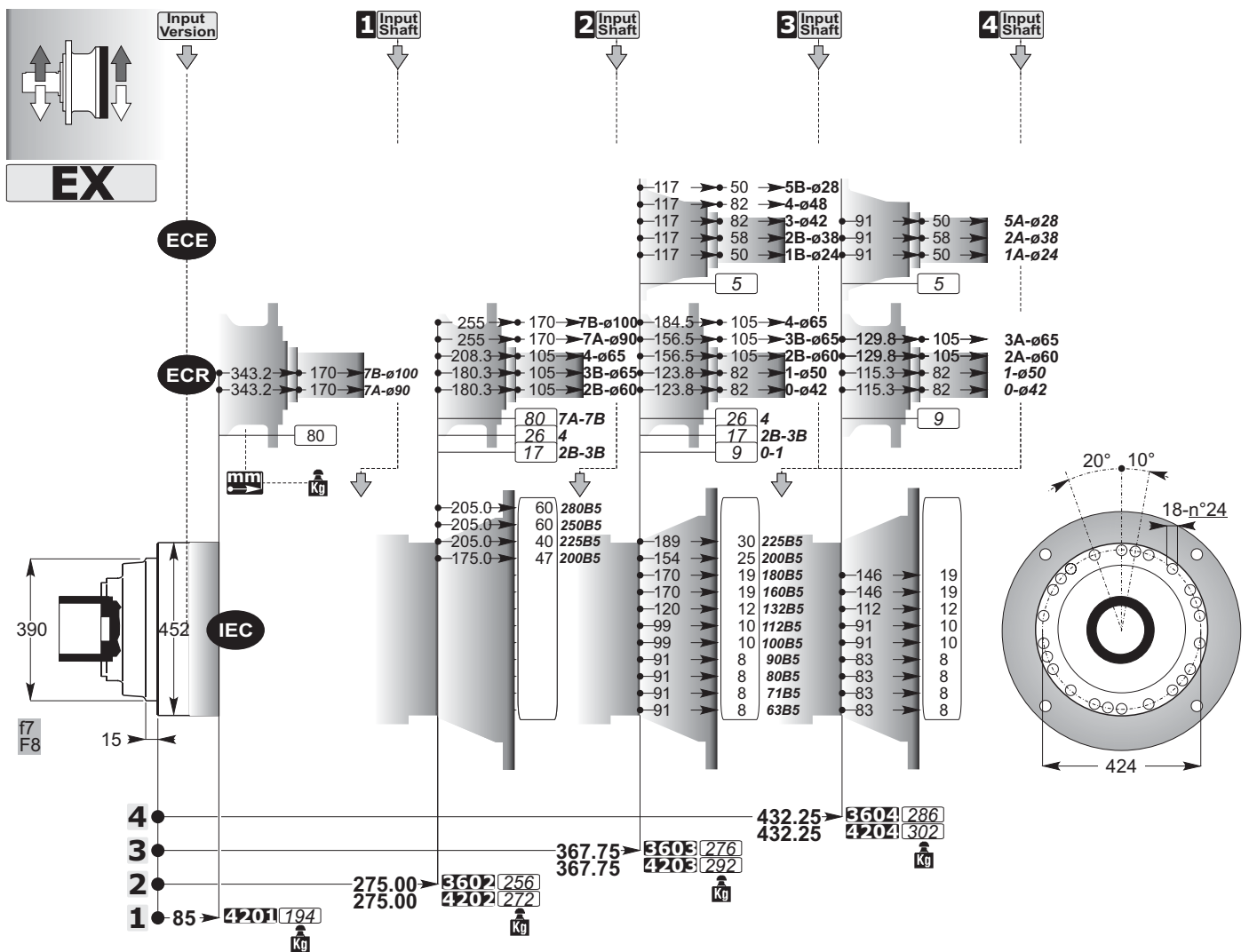
mm
C



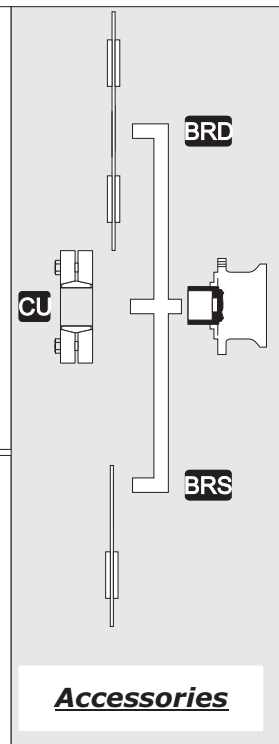
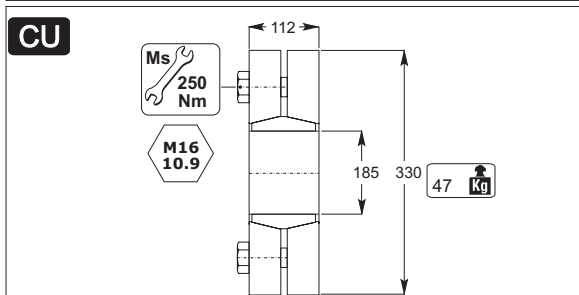
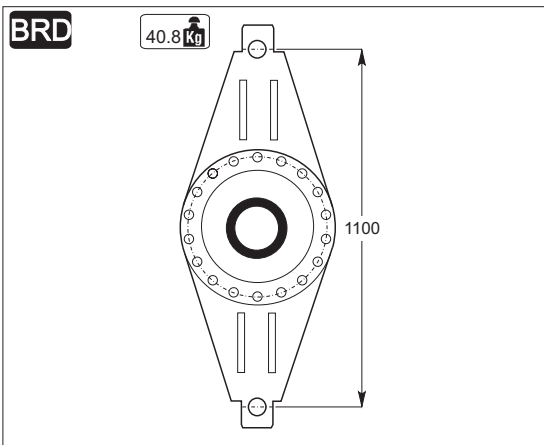
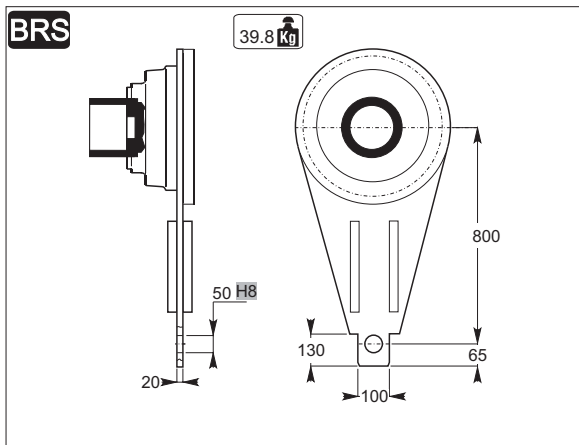
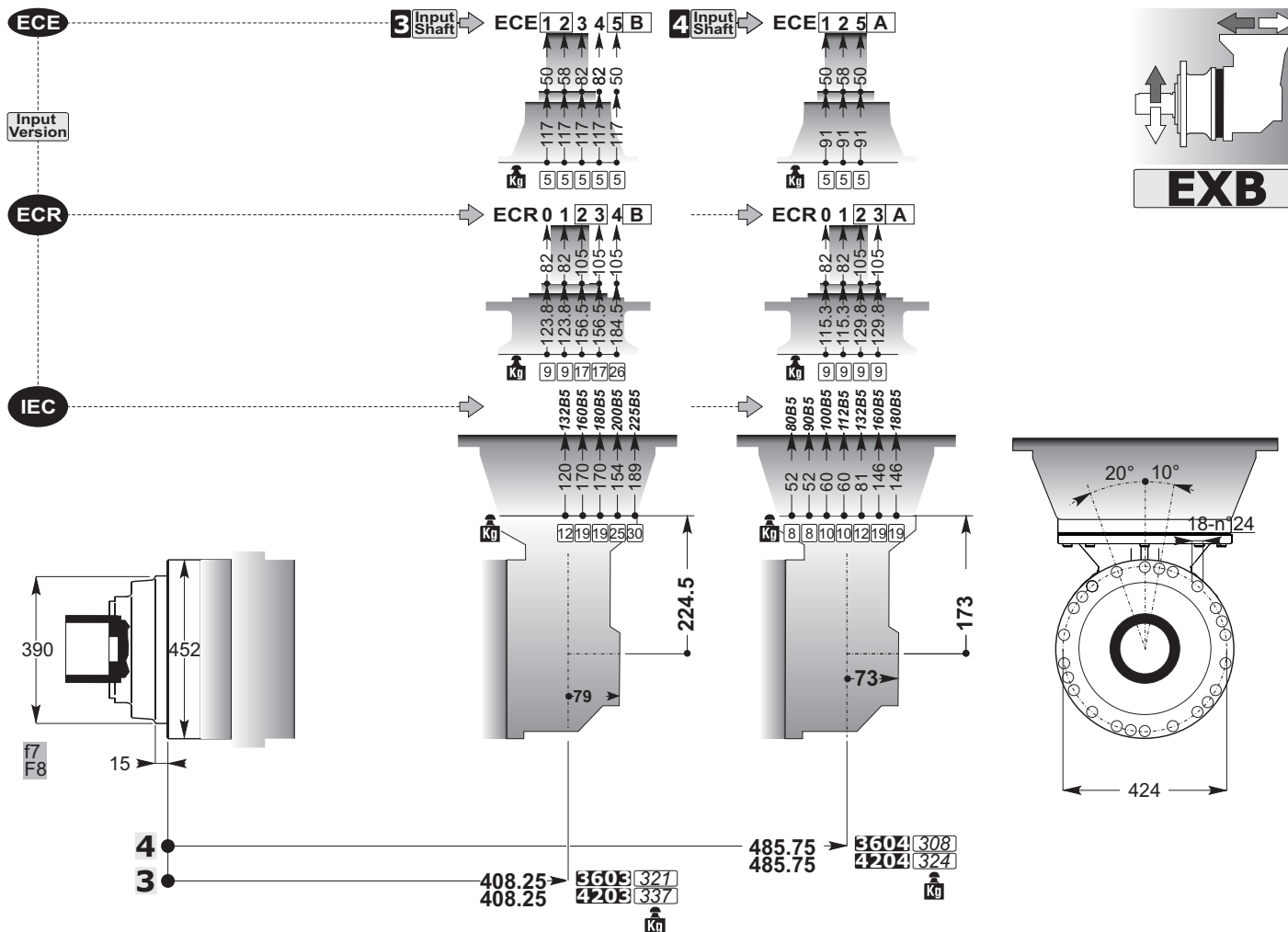


Accessories

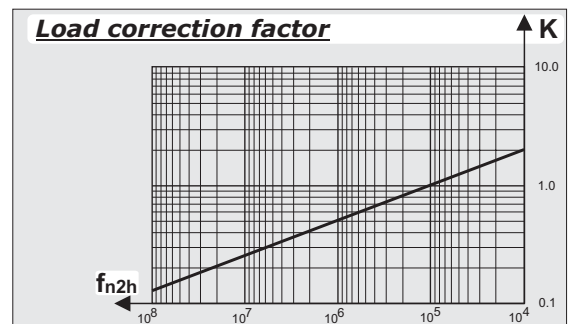
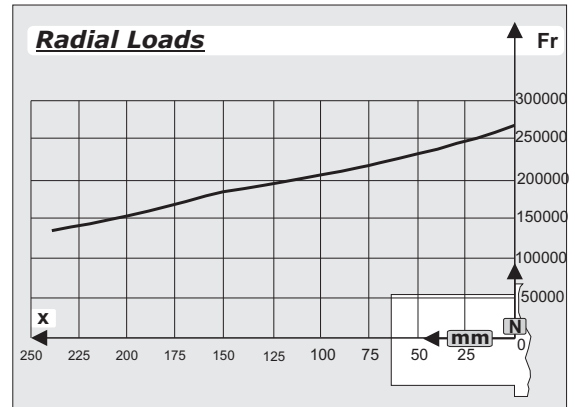
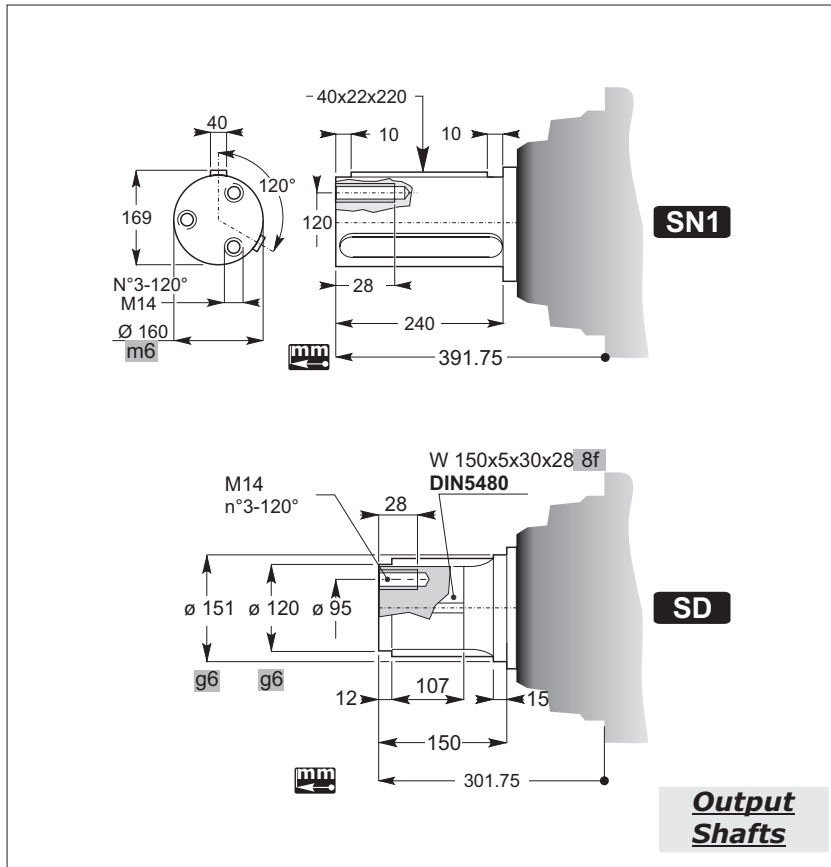
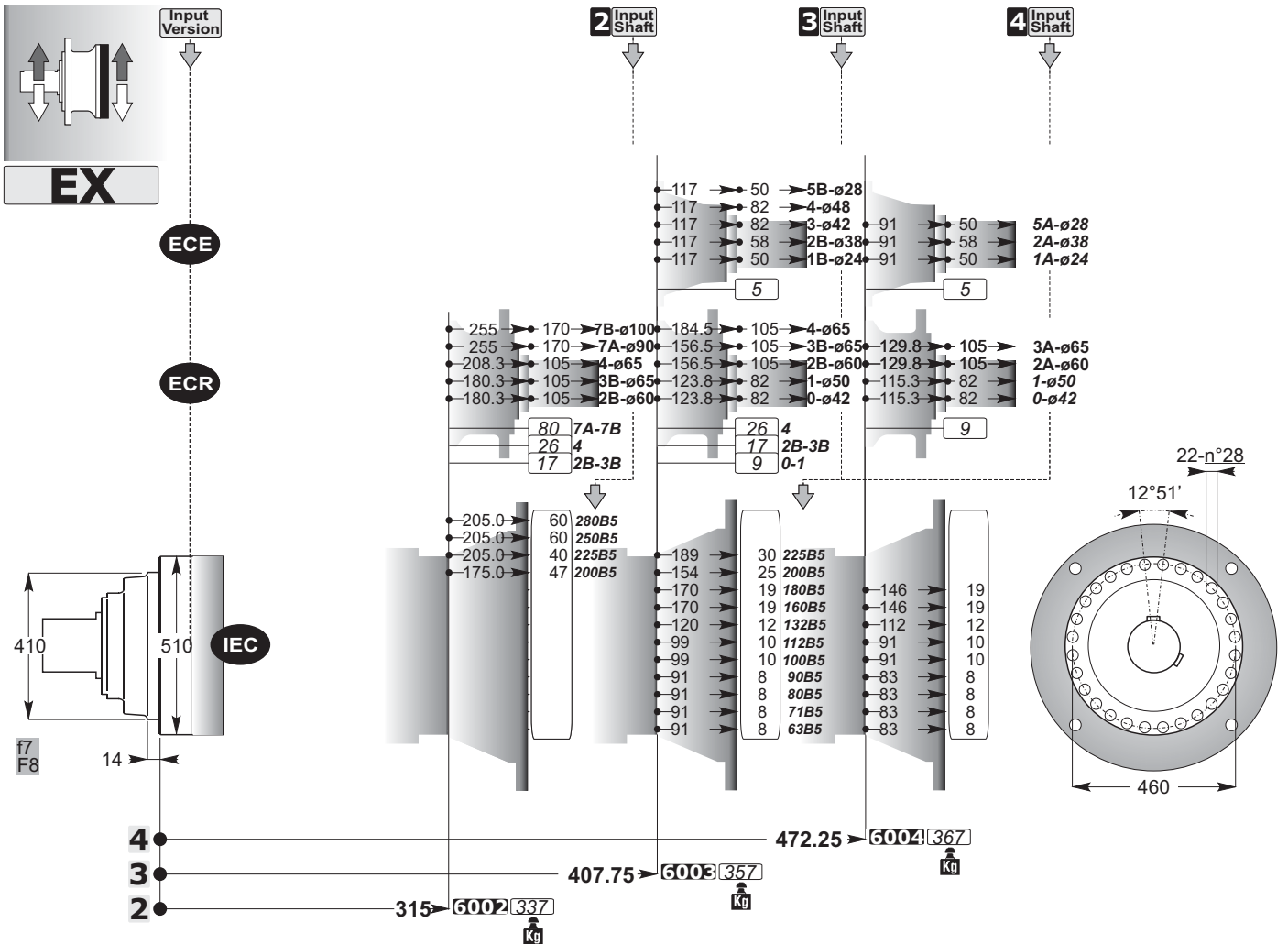
mm
C

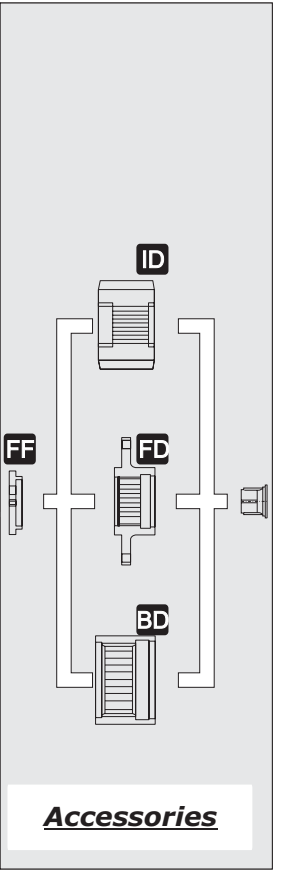
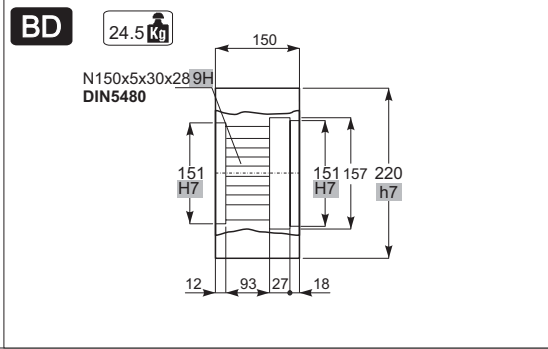
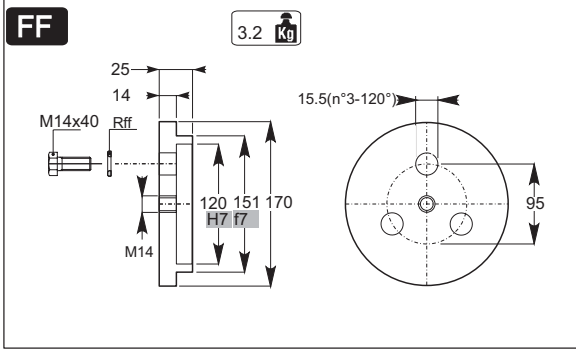
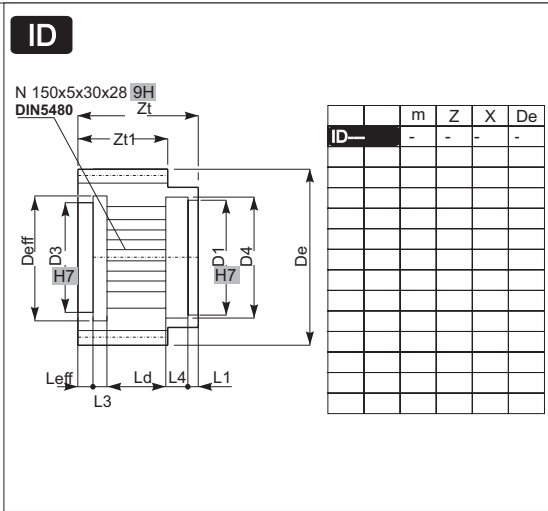
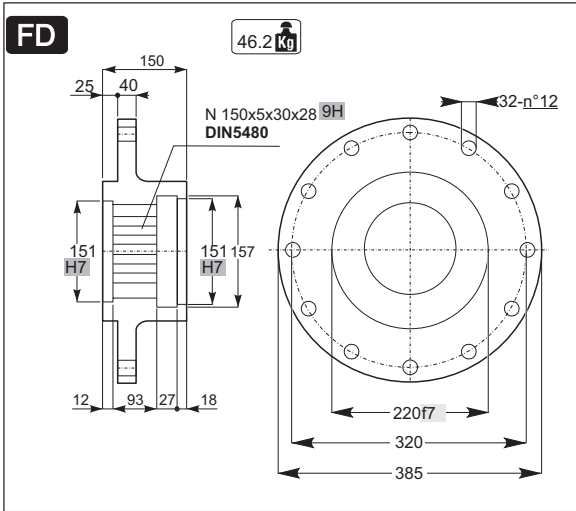
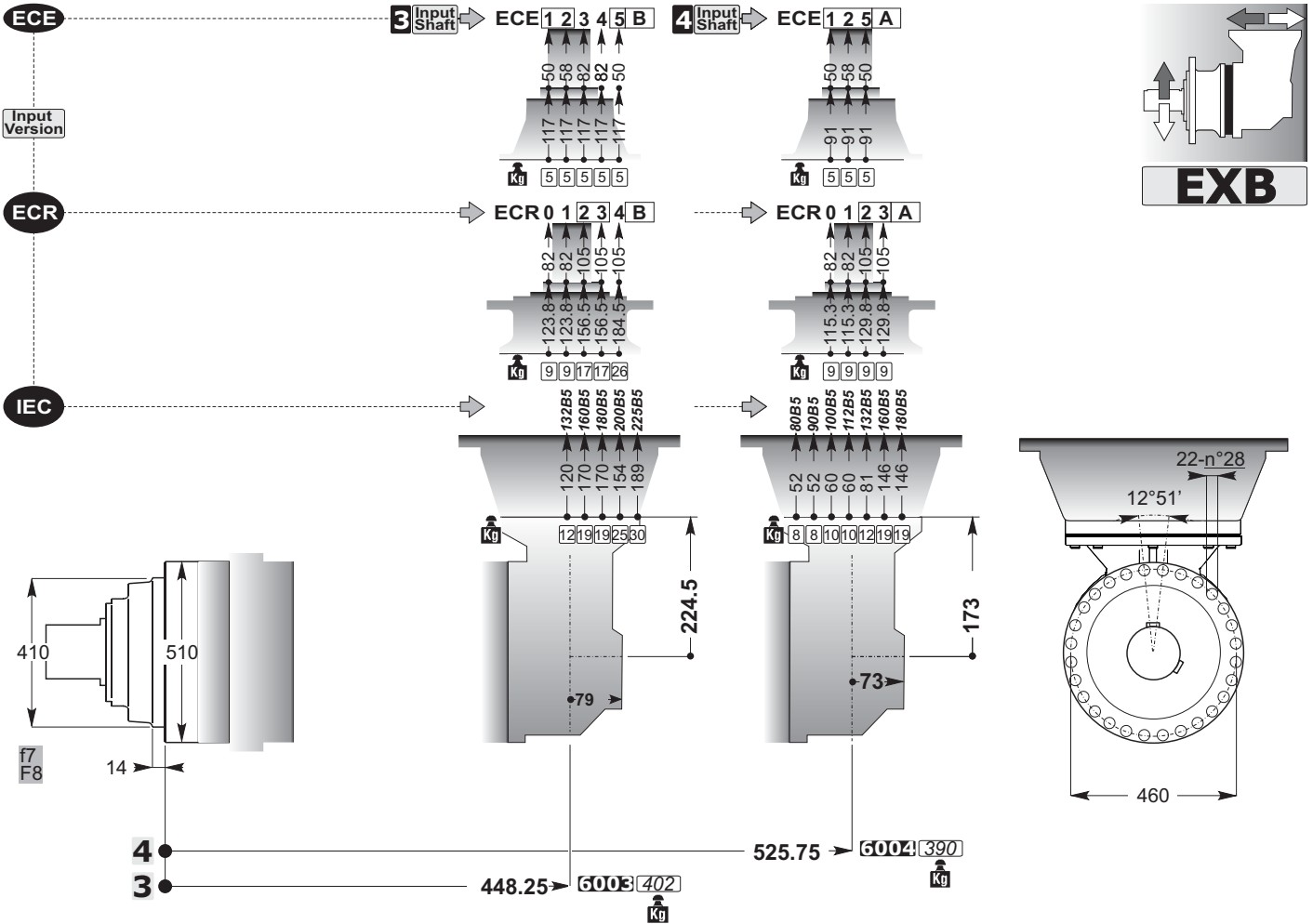


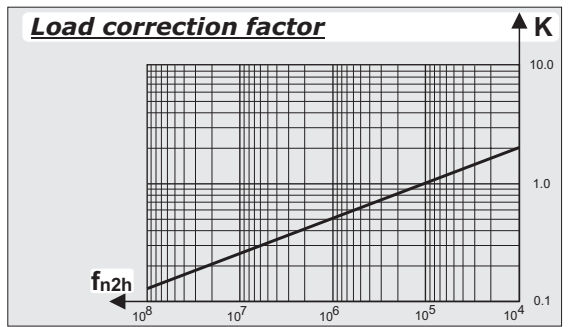
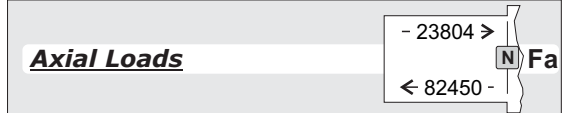
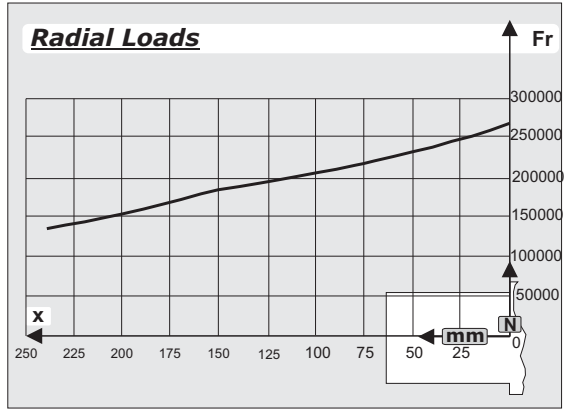
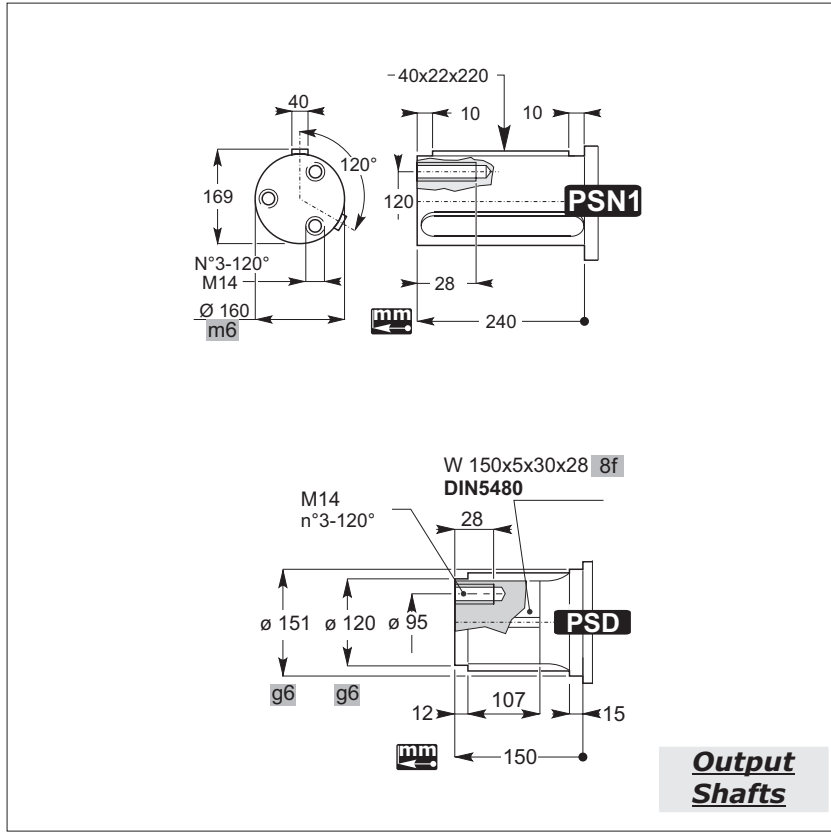
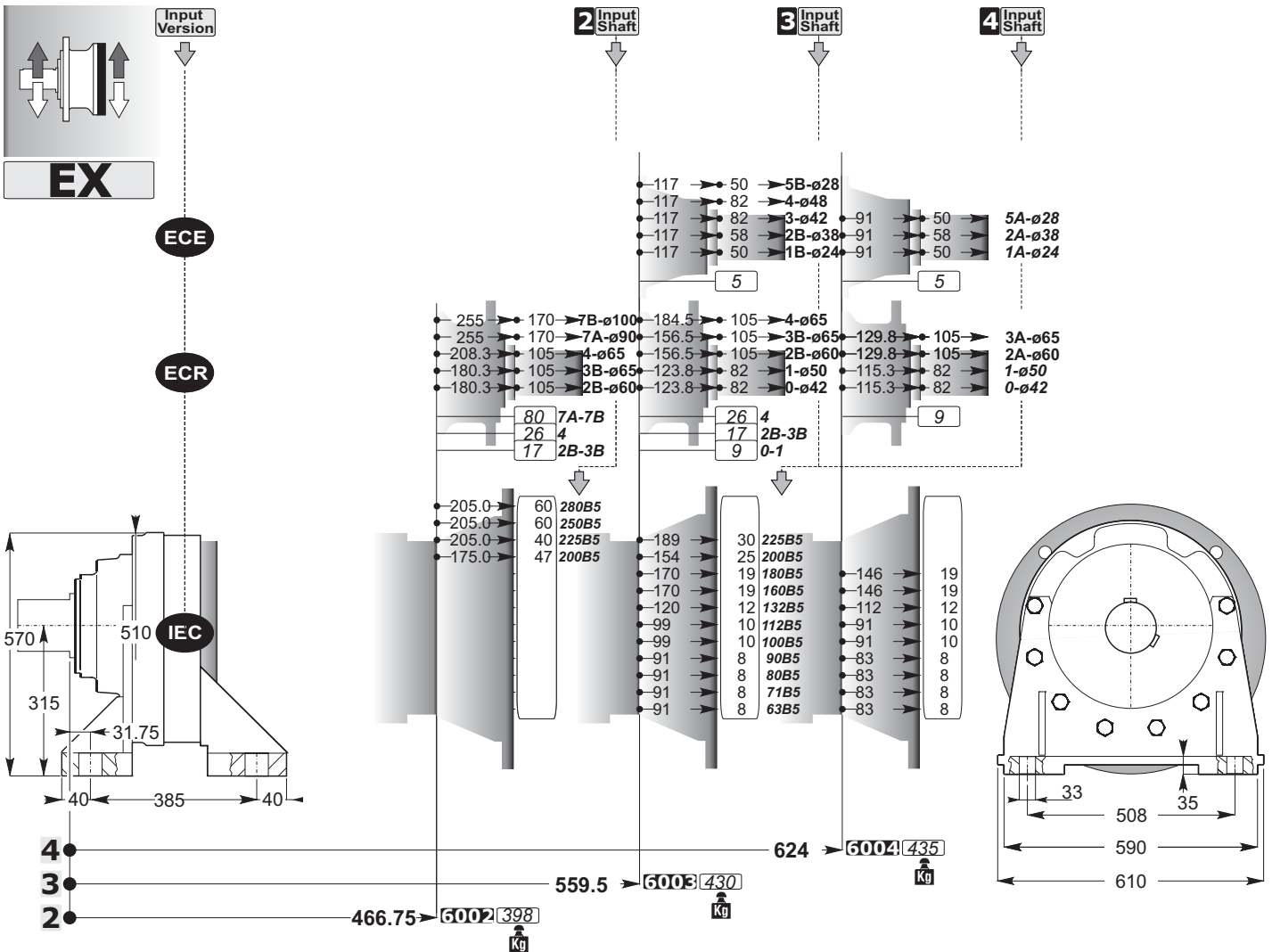
Output Shafts

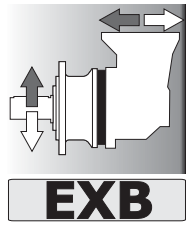
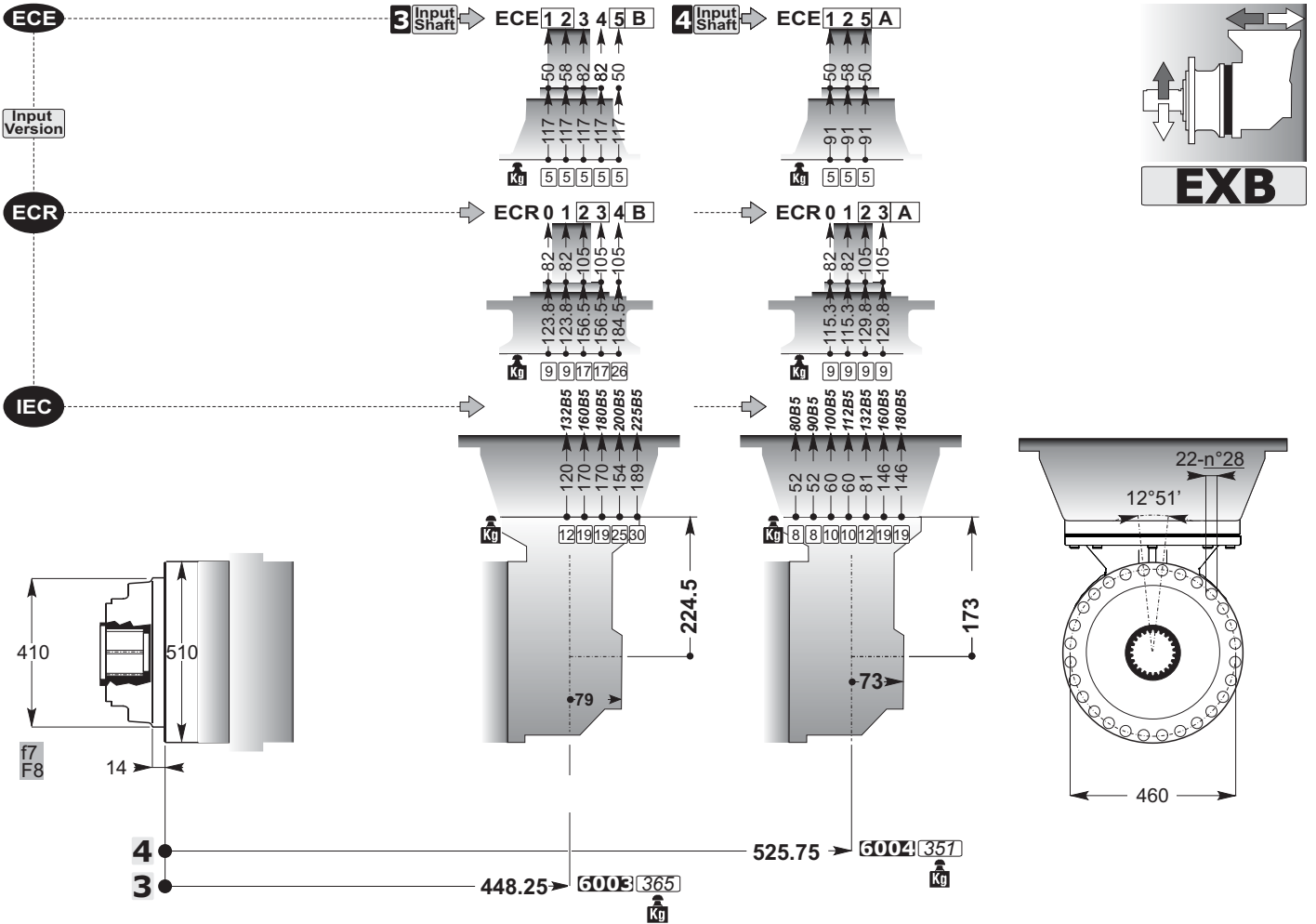


mm
C

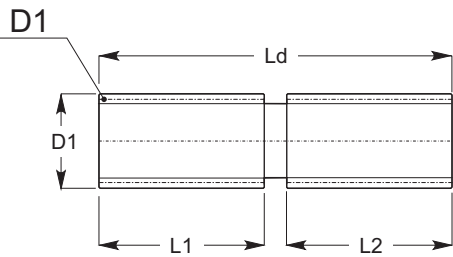








SD

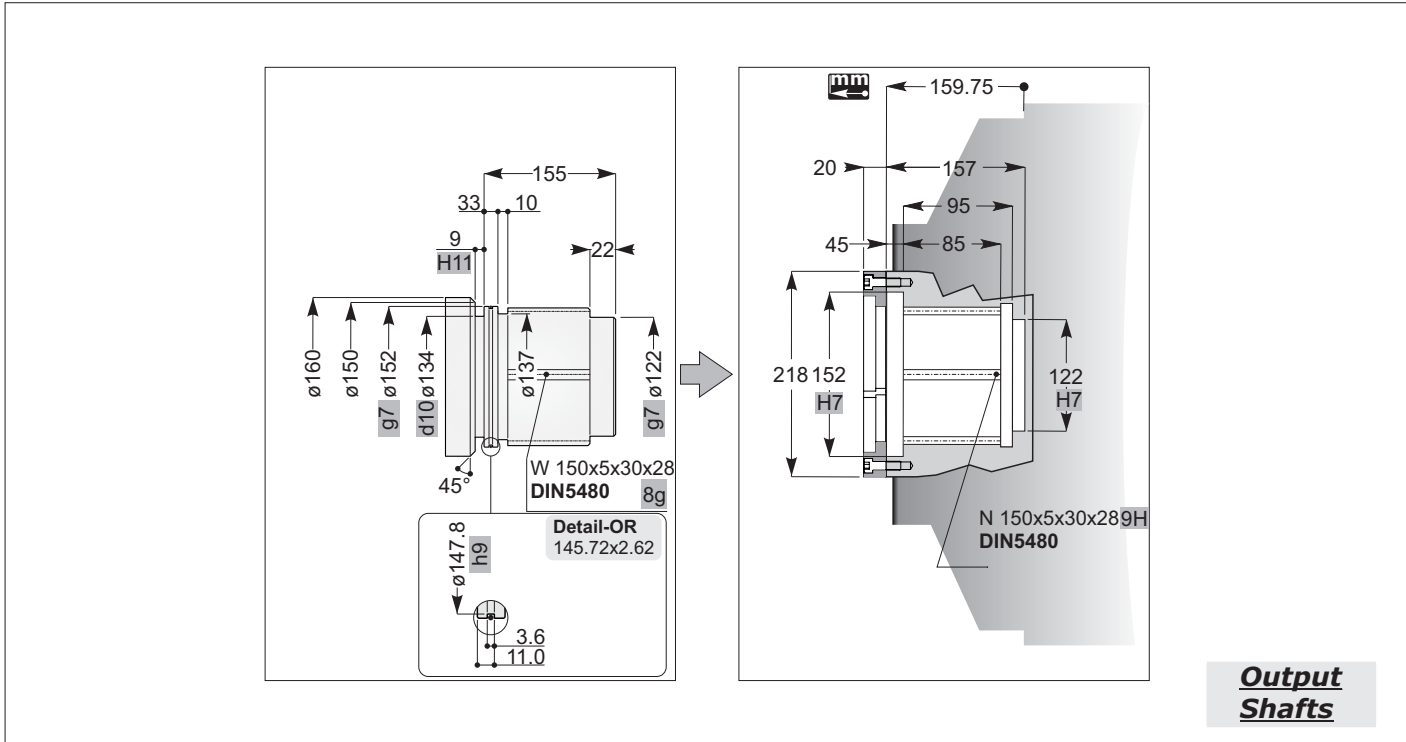
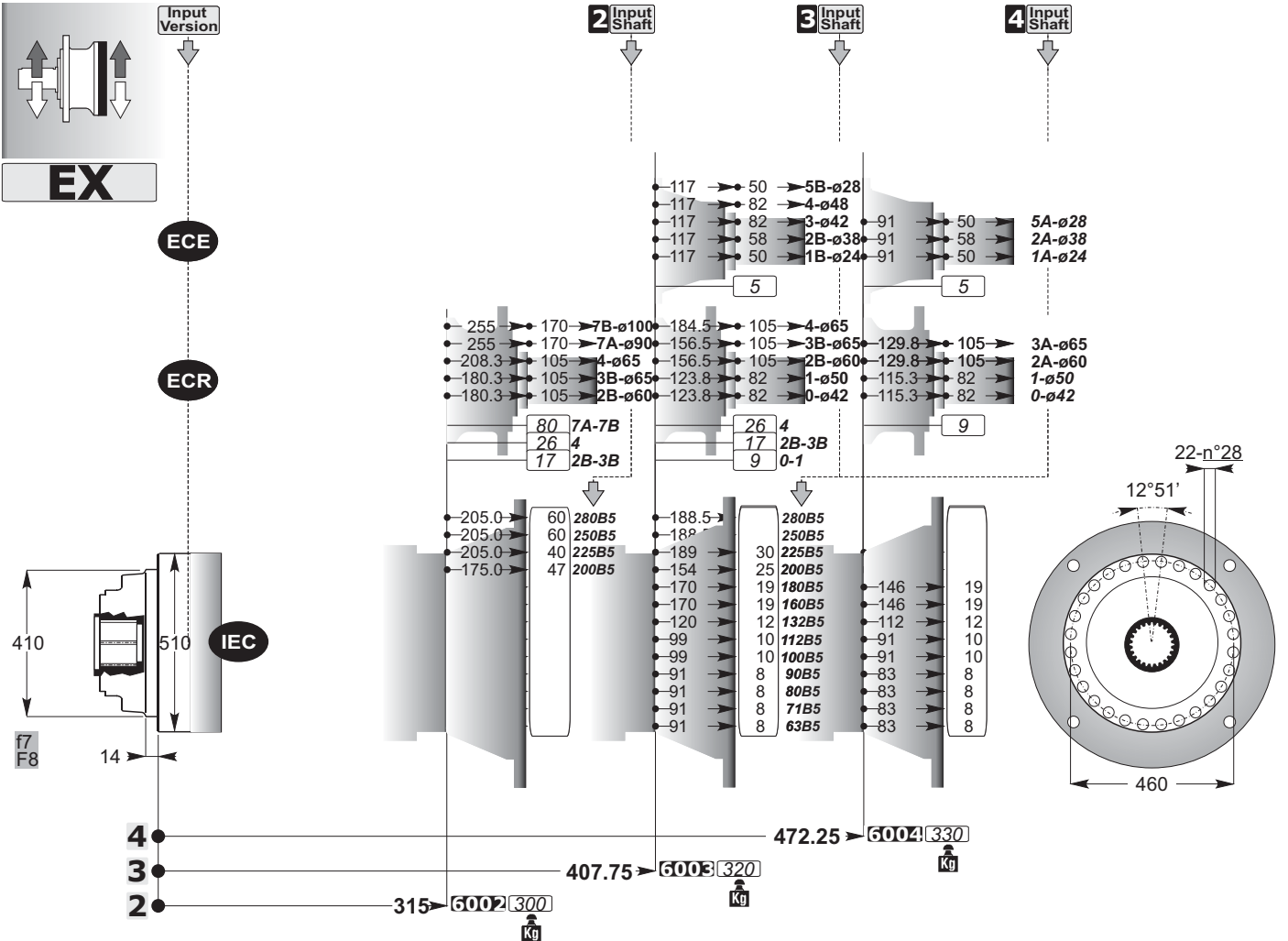


SD

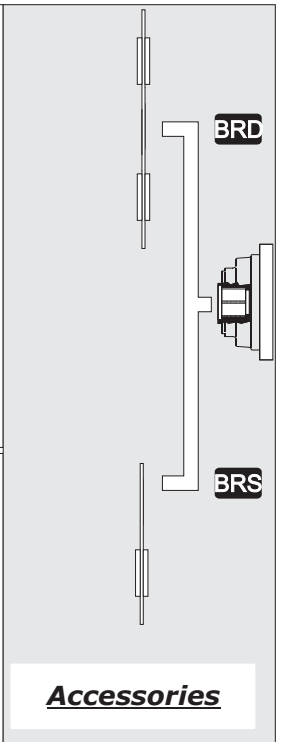
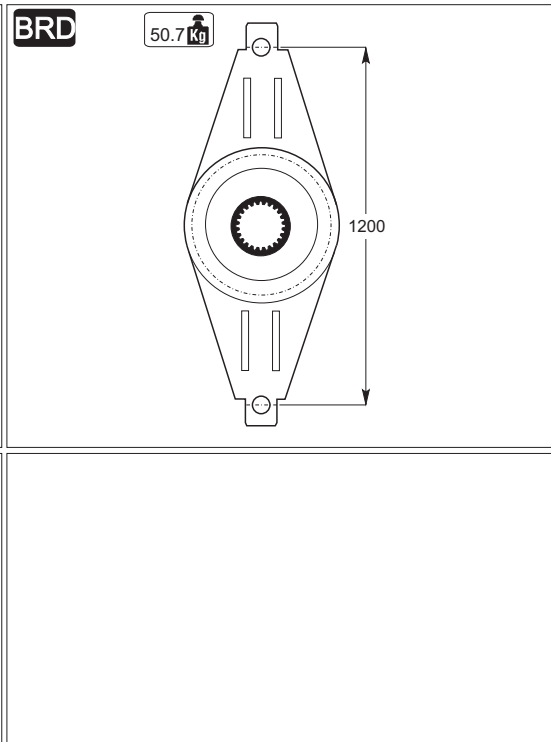
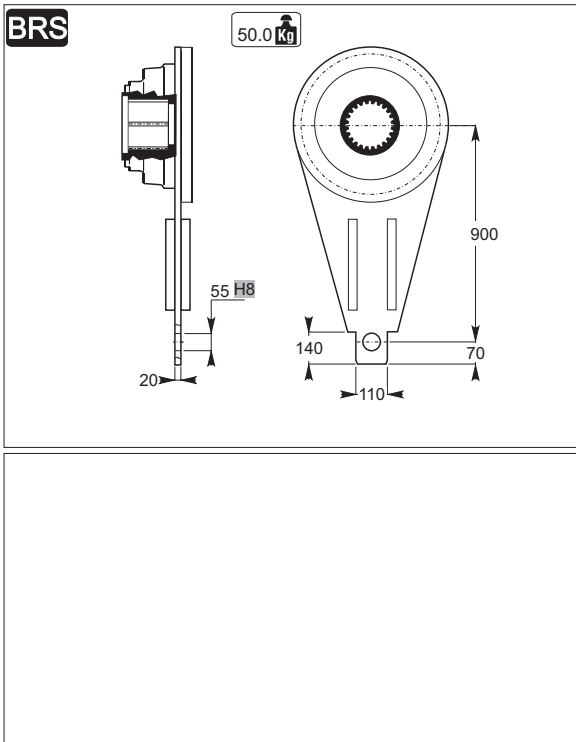
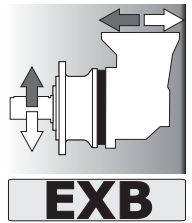
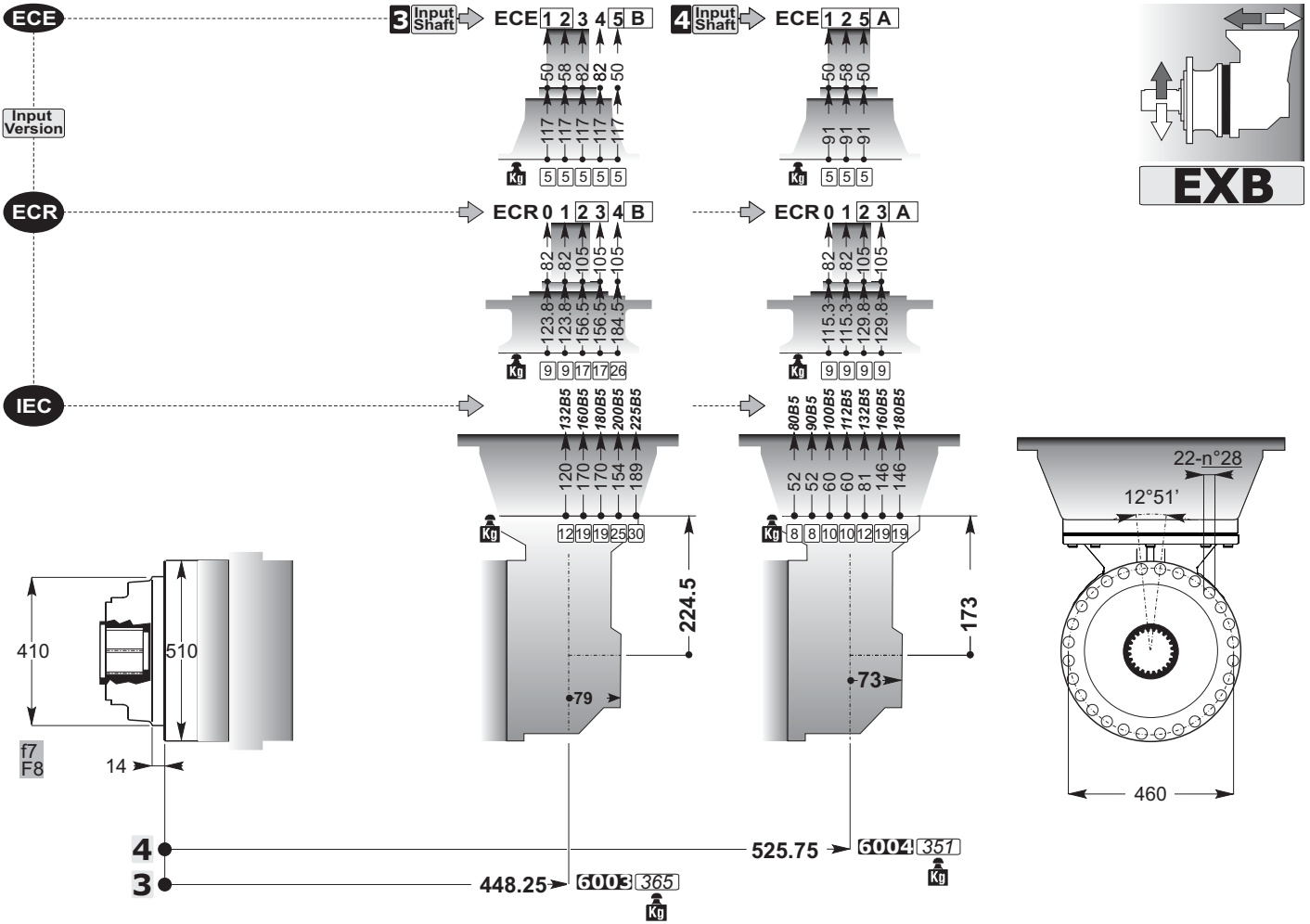


Accessories

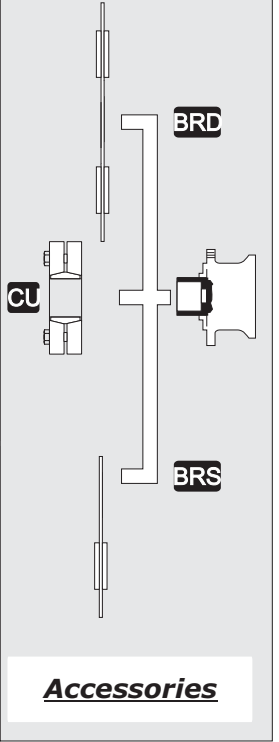
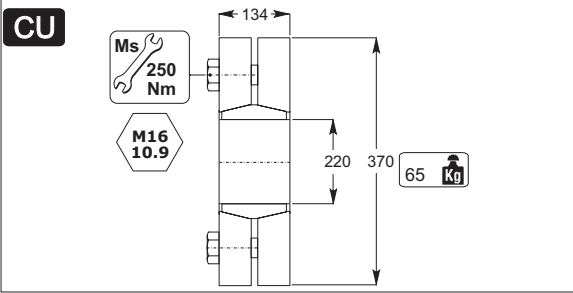
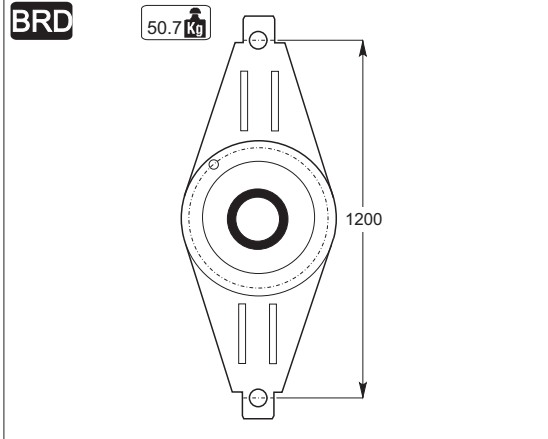
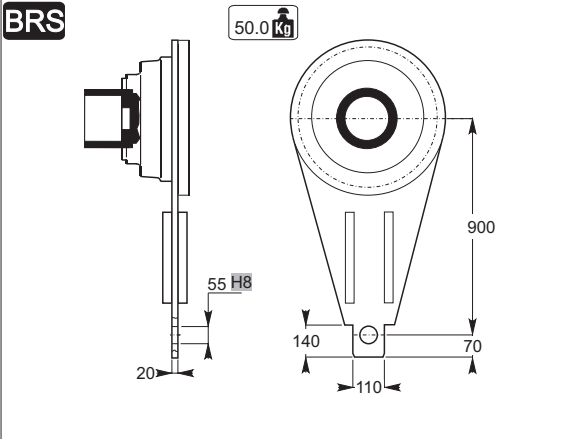
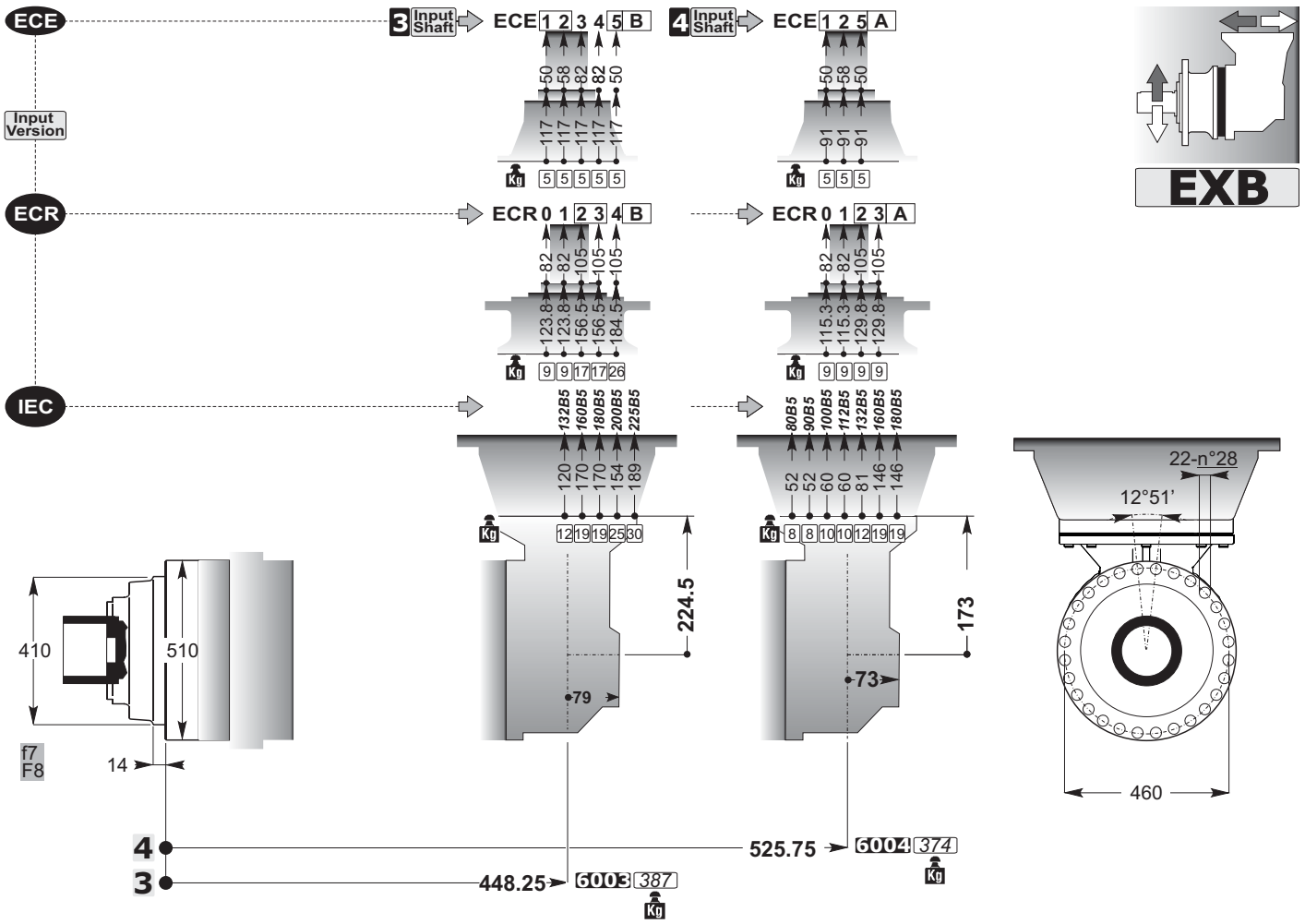
mm
C



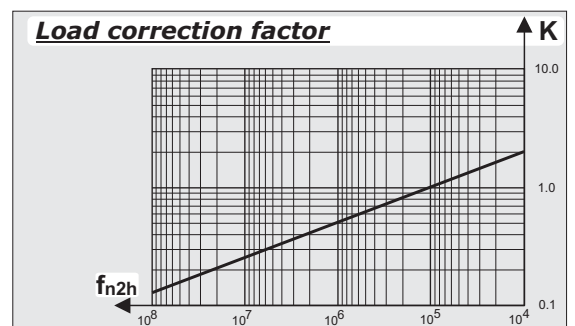
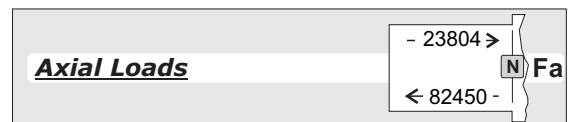
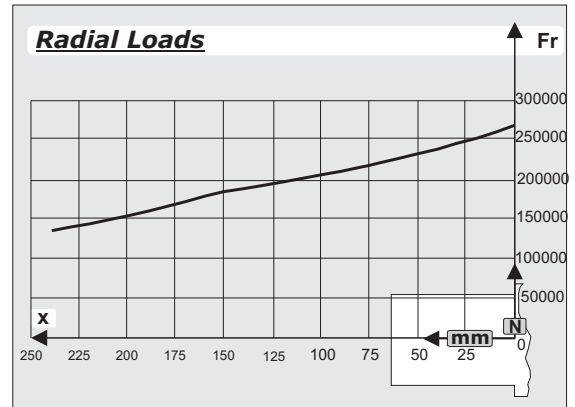
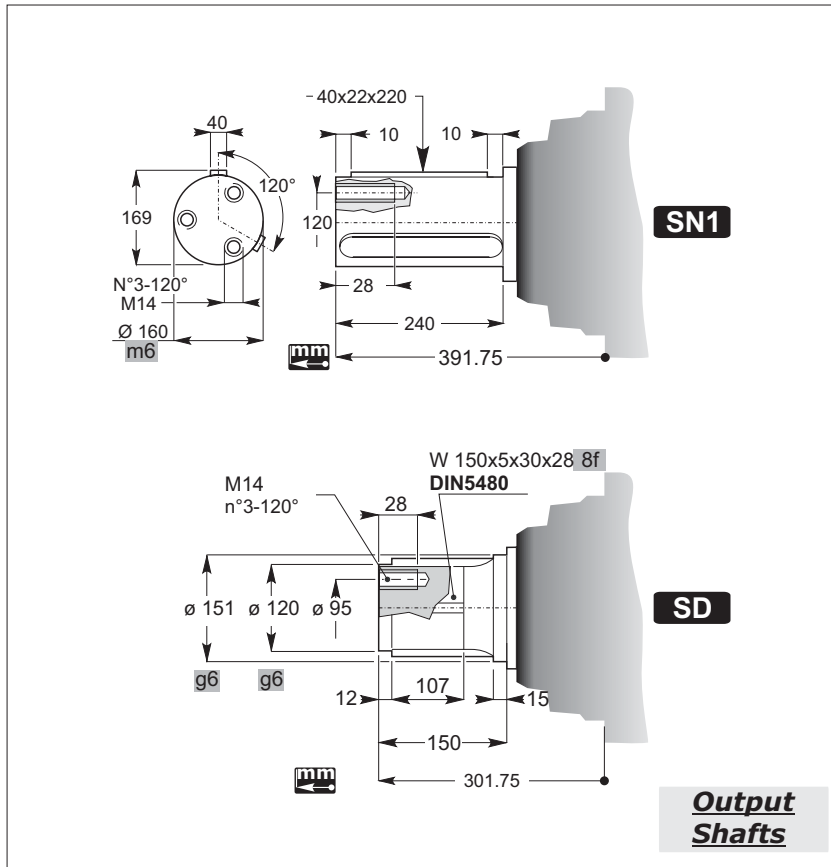
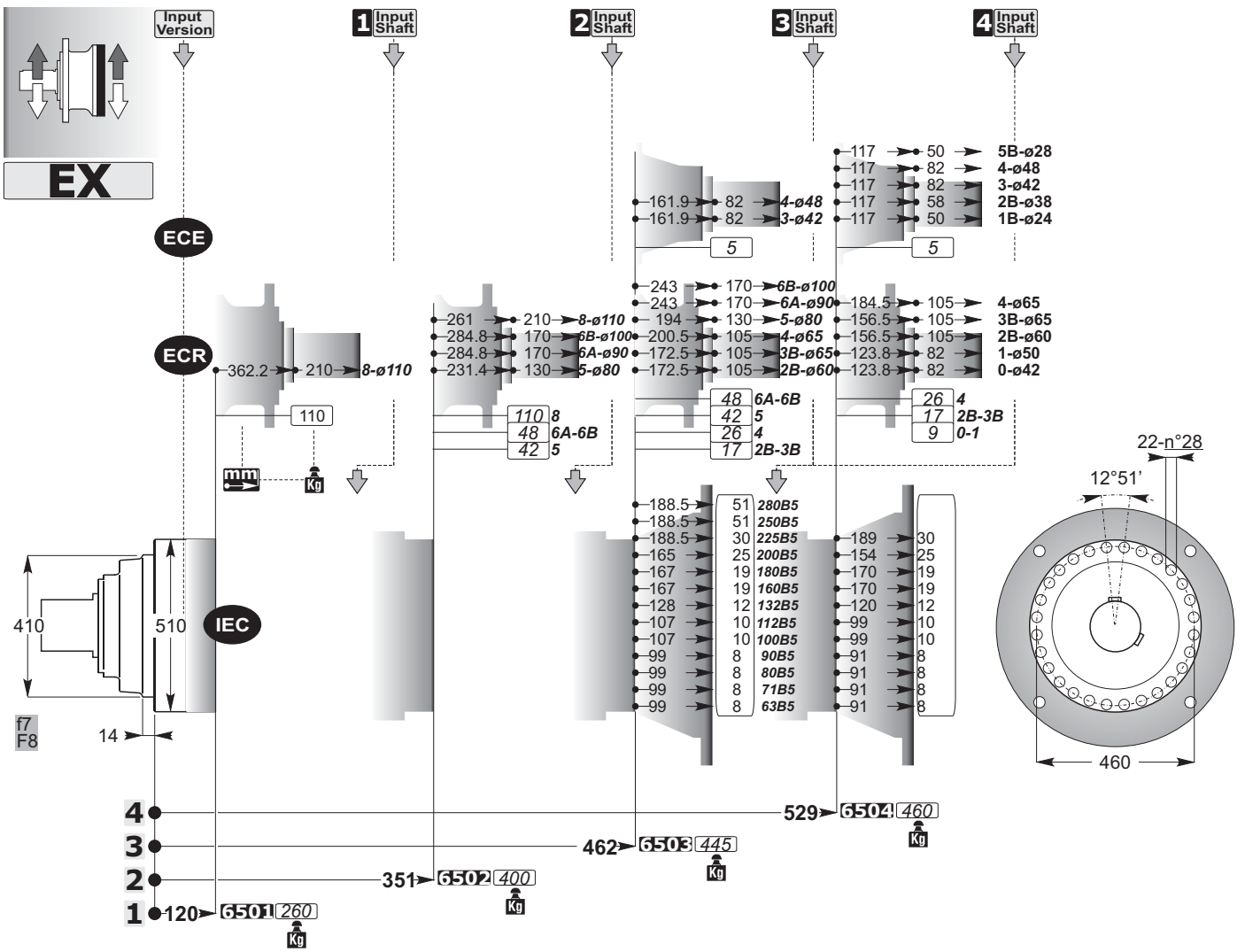
Output Shafts



mm
C



mm
C



ECE

3 Input Shaft

ECE 3 4

4 Input Shaft

ECE 1 2 3 4 5 B

Input Version

ECR

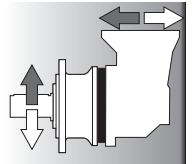
ECR 2 3 4 5 6 B A

ECR 0 1 2 3 4 B

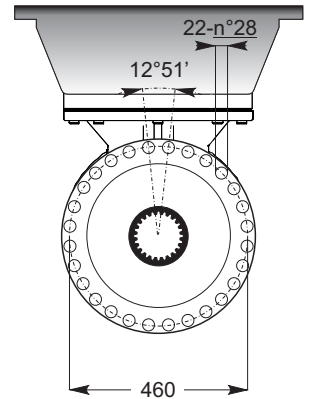
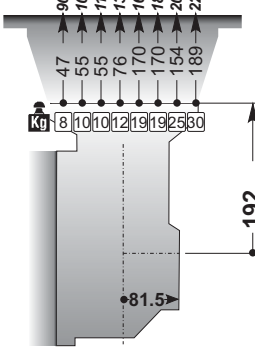
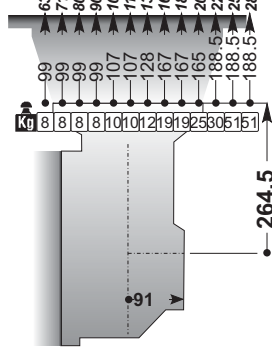
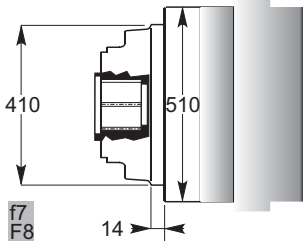
IEC

63B5 71B5 80B5 90B5 100B5 112B5 128B5 143B5 160B5 180B5 200B5 225B5 250B5 280B5

90B5 100B5 112B5 132B5 160B5 180B5 200B5 225B5



EXB

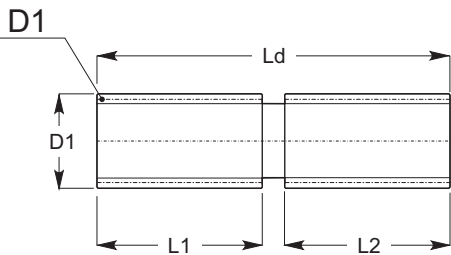


4
3

519.25 6503 490

588 6504 476

SD

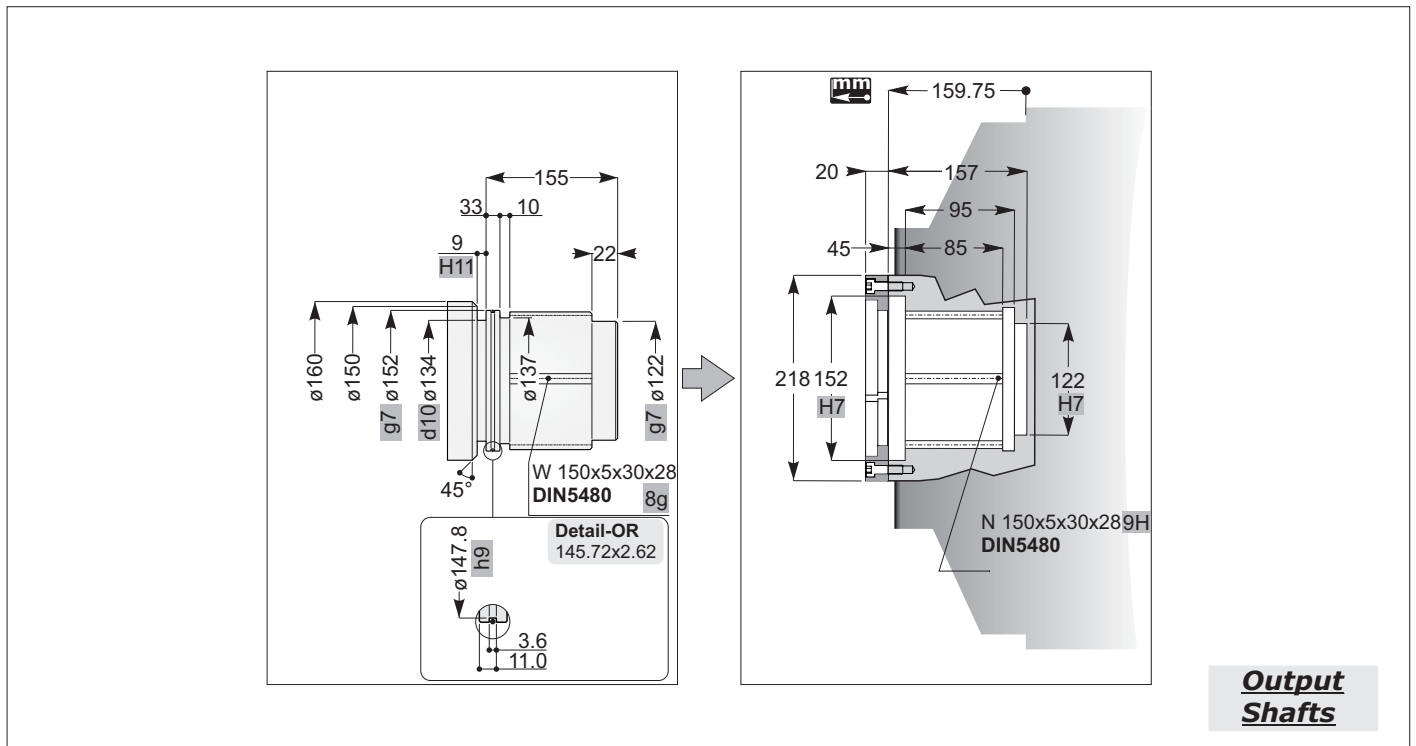
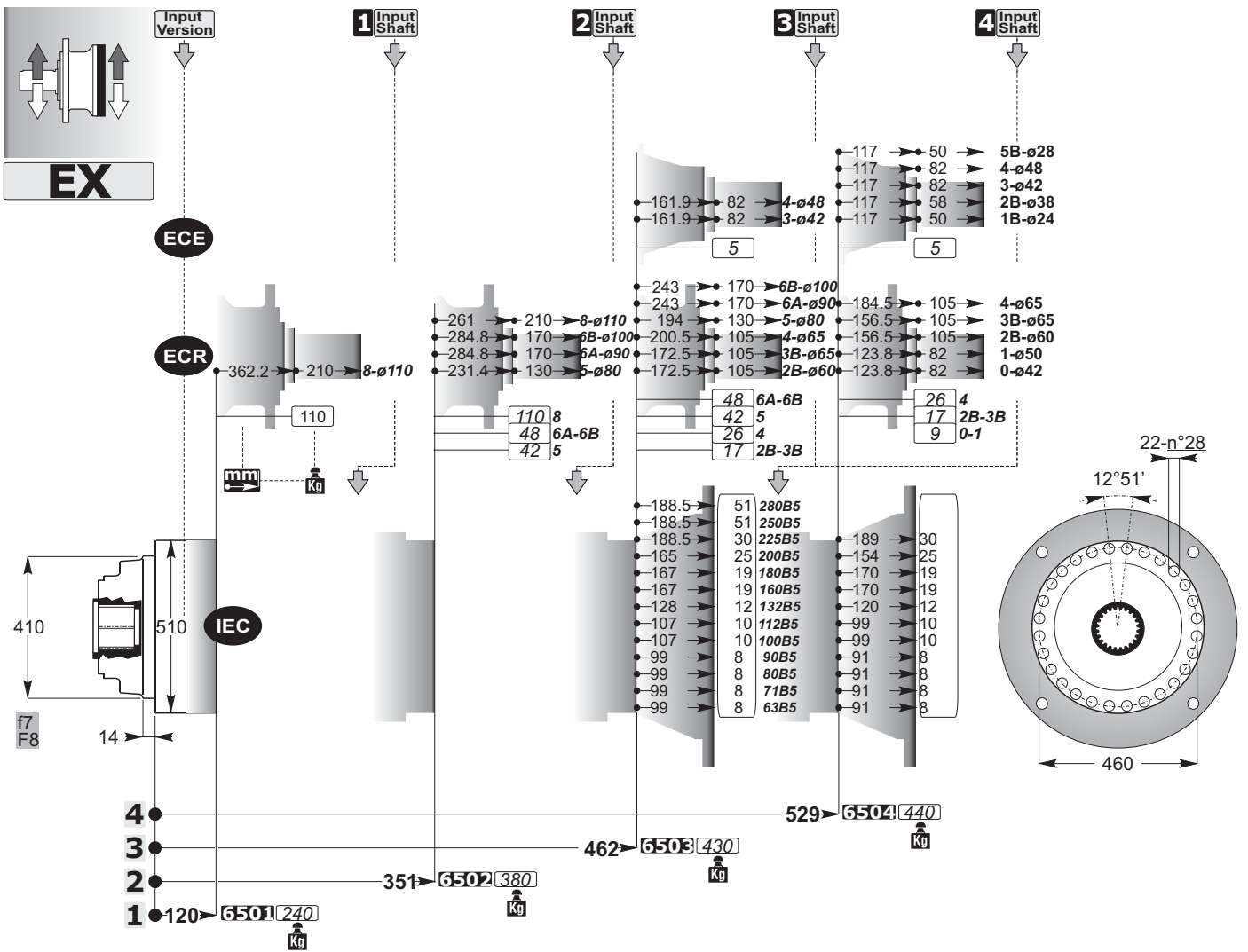


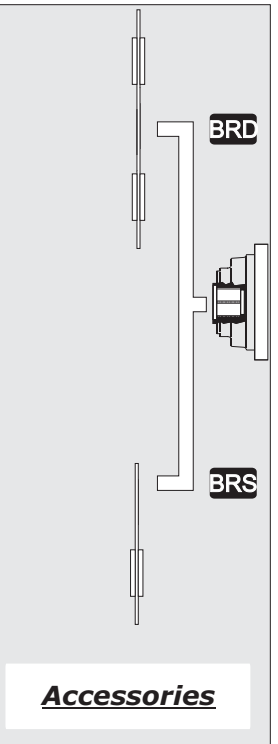
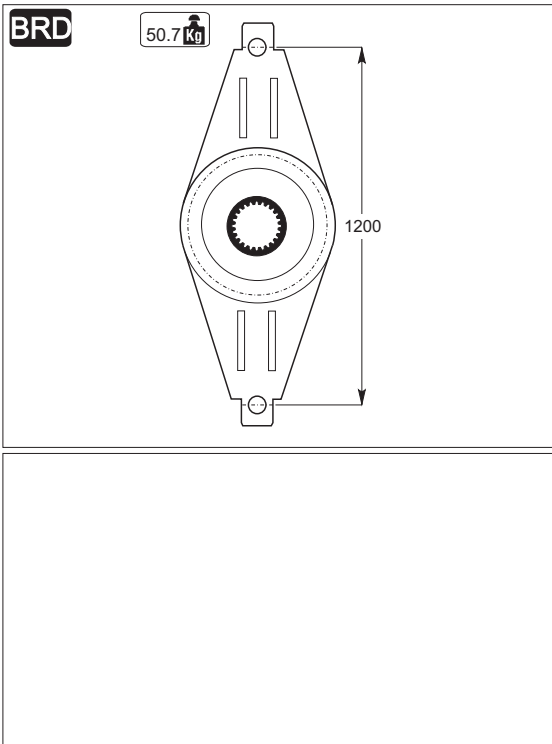
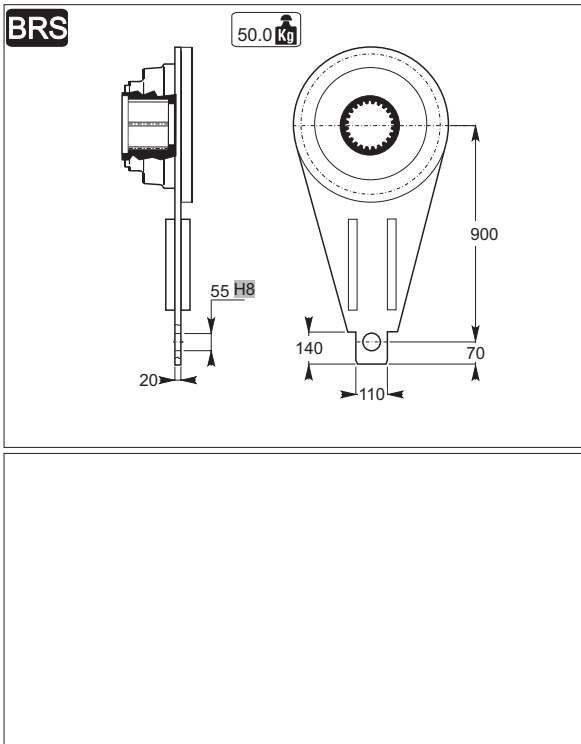
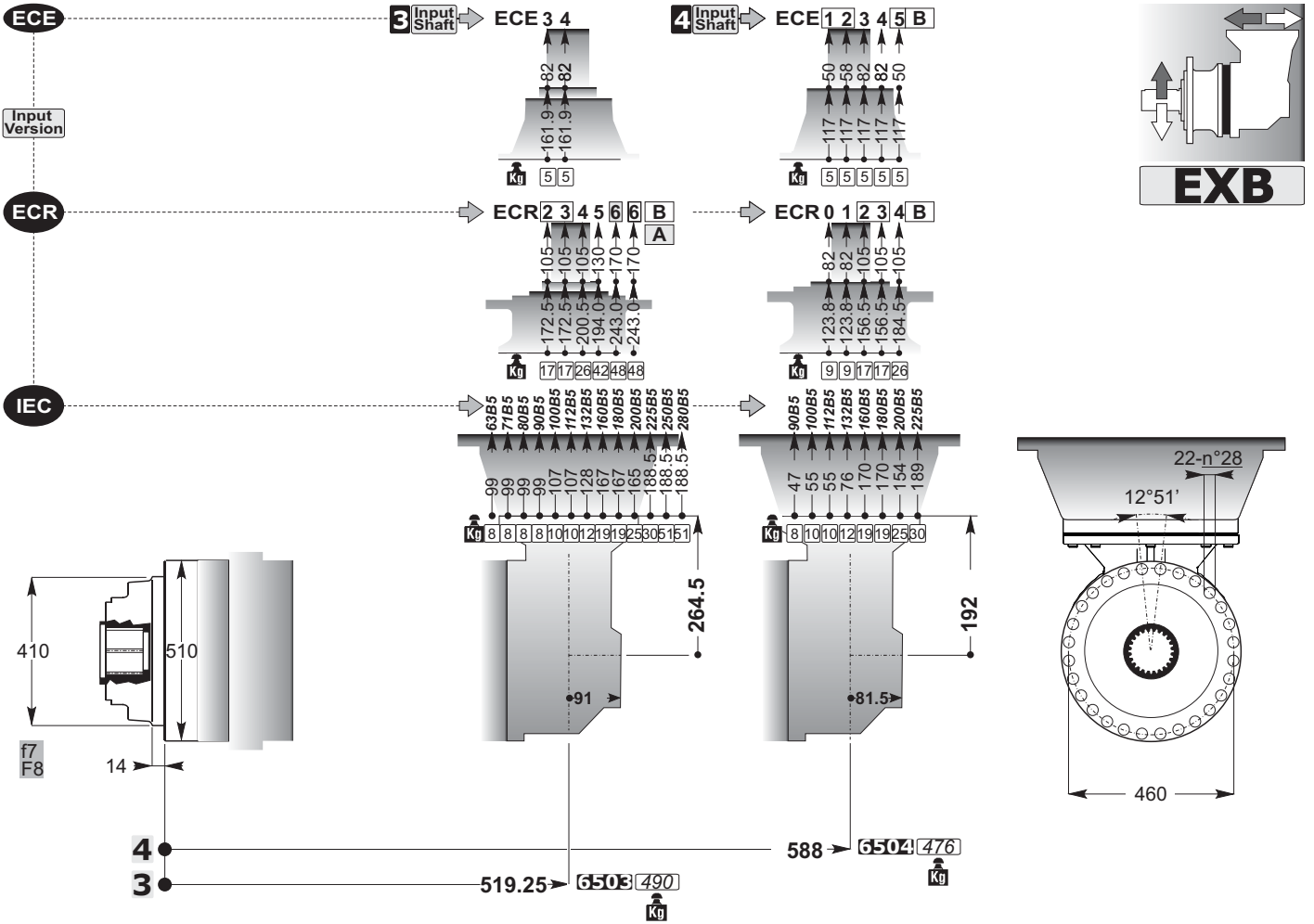
SD



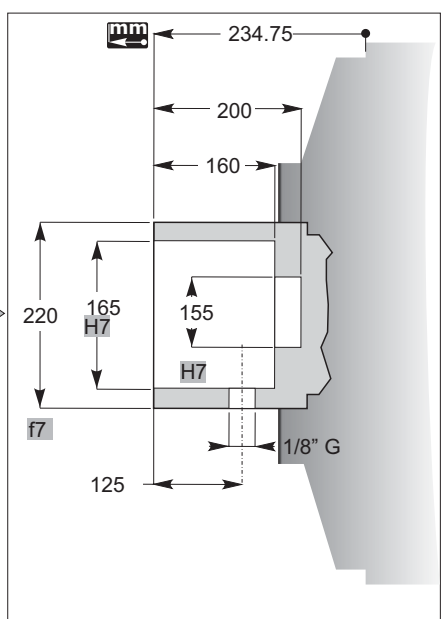
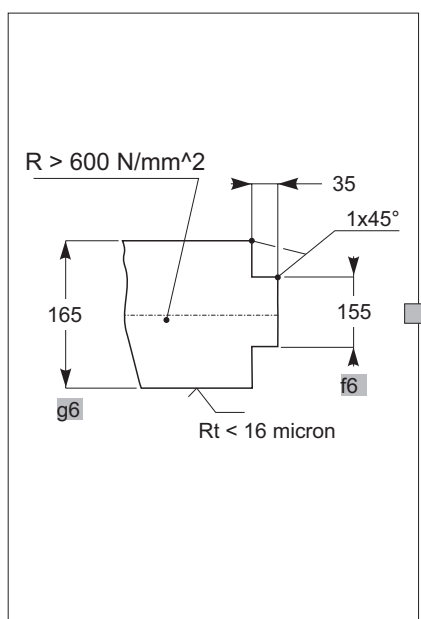
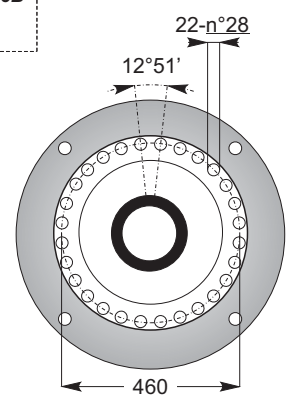
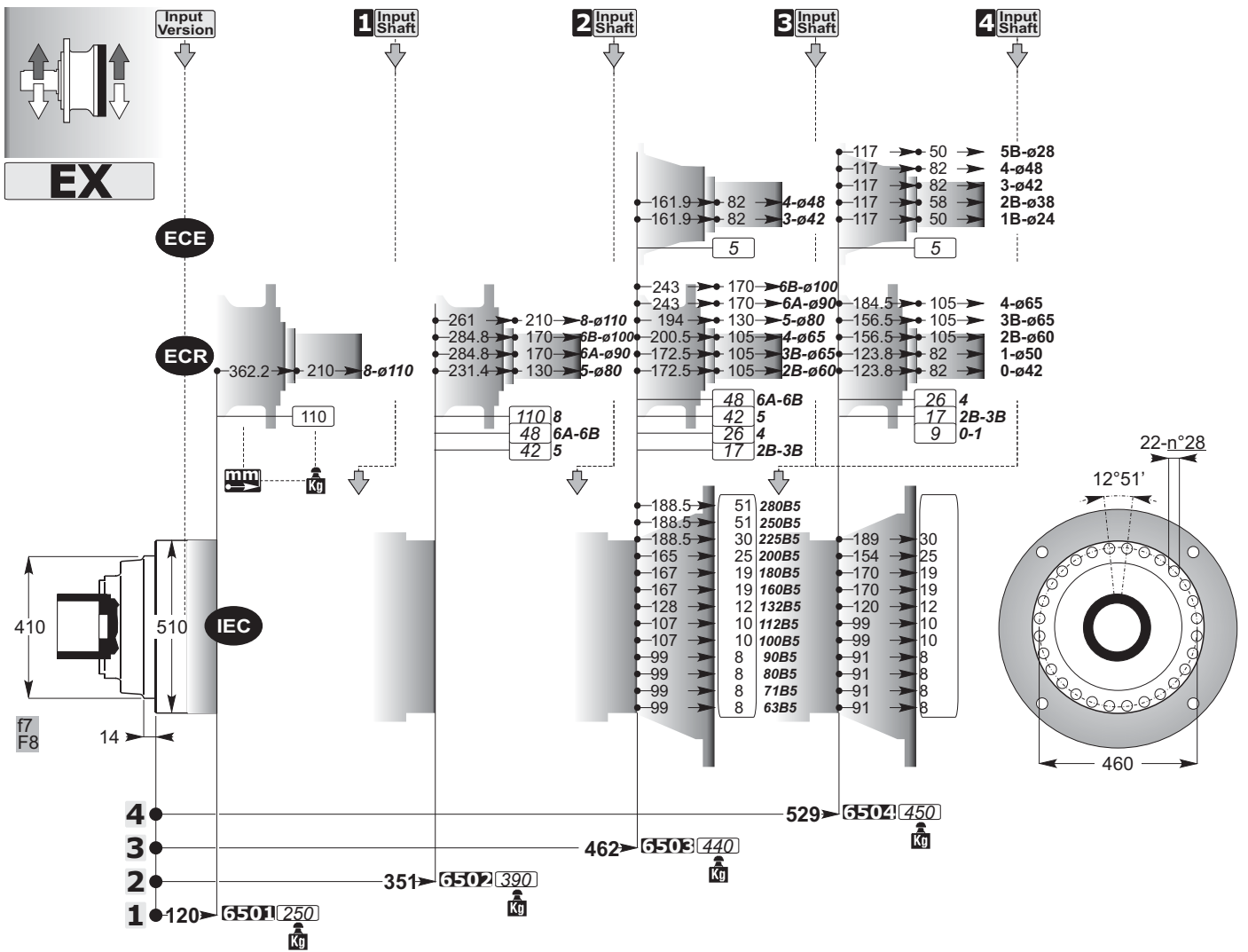
Accessories

mm
C

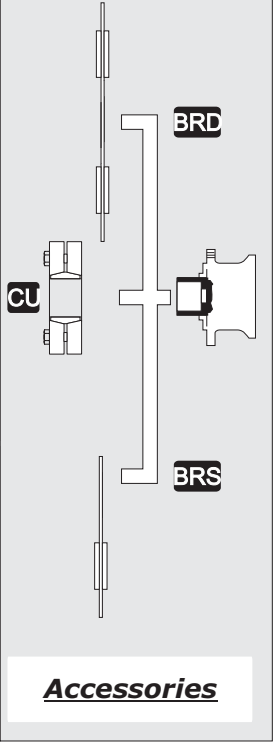
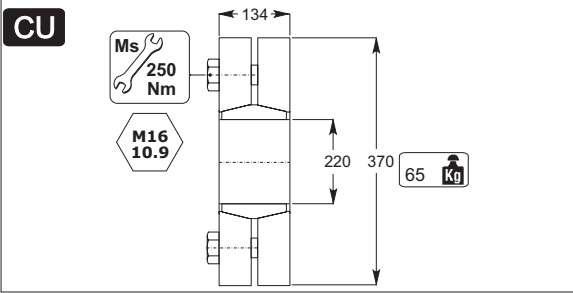
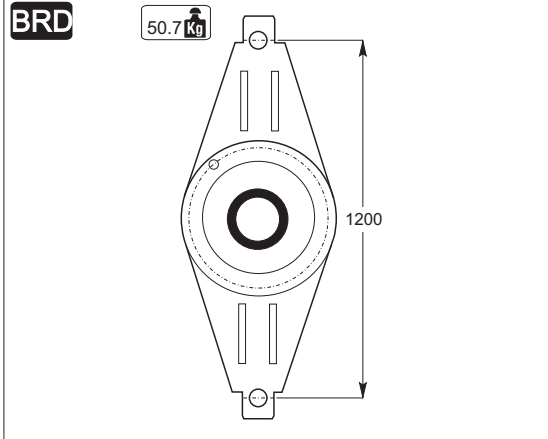
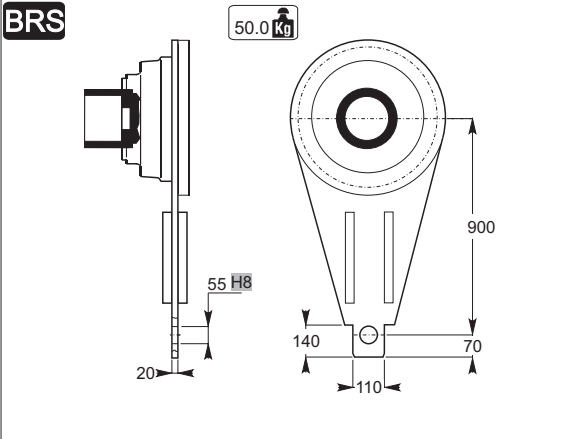
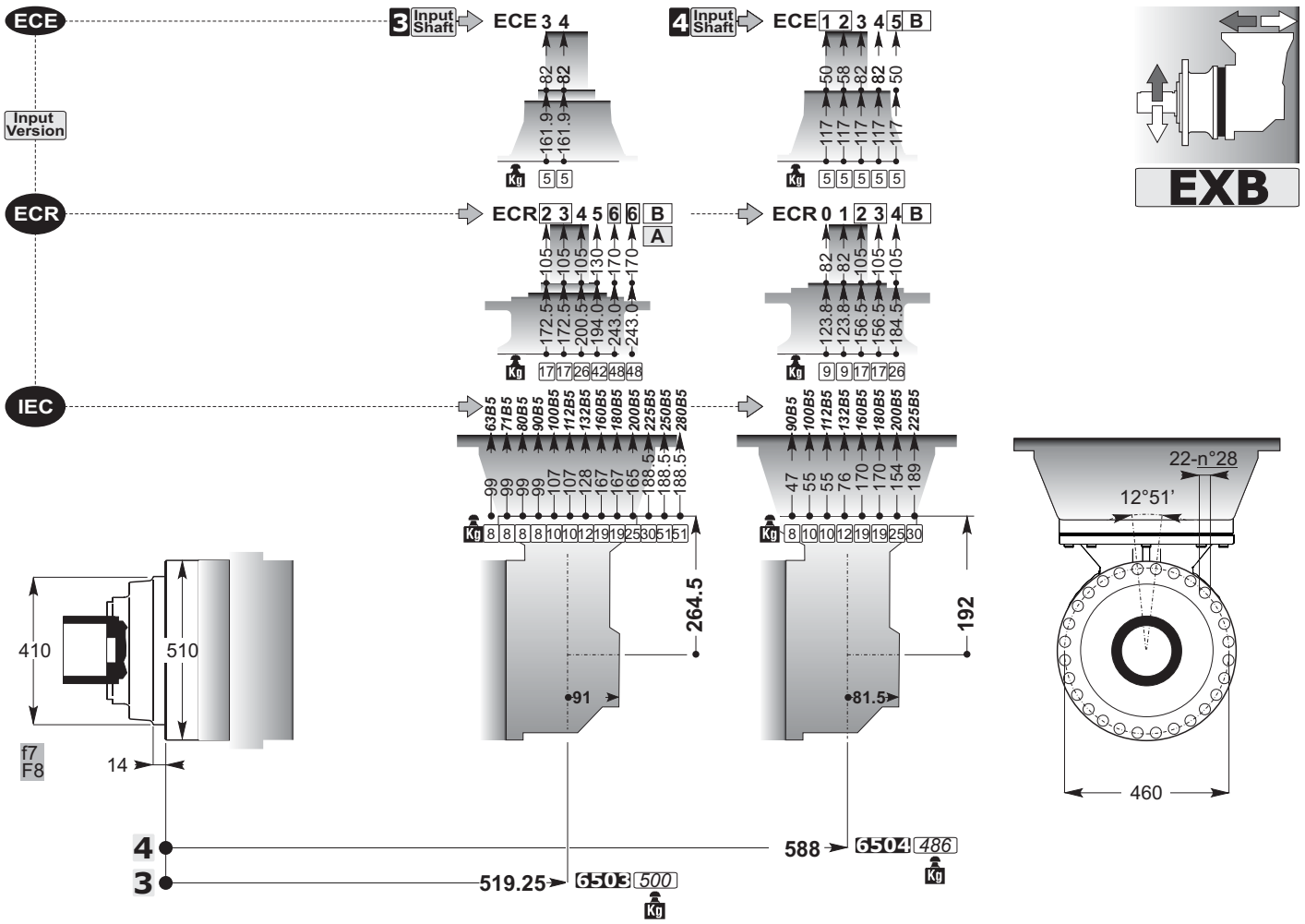




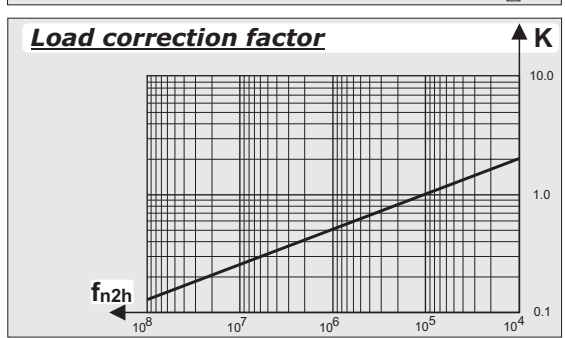
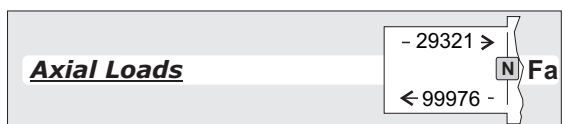
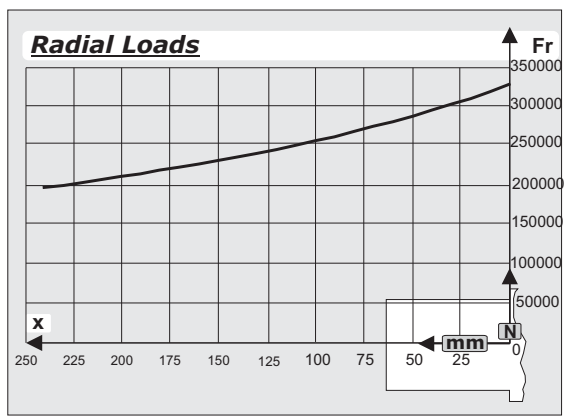
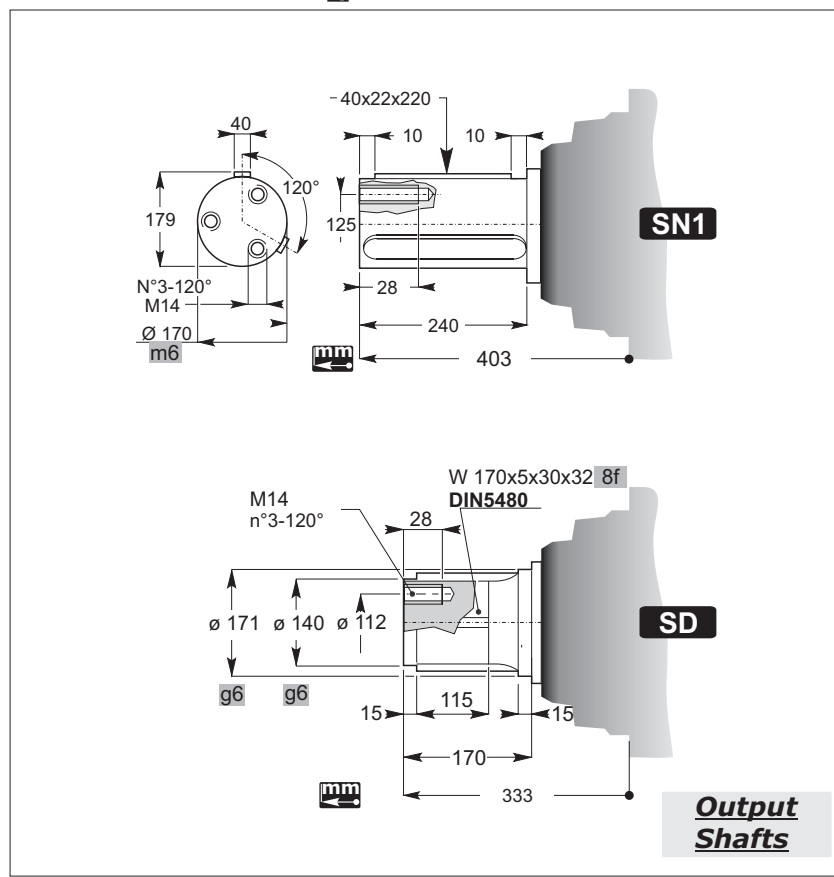
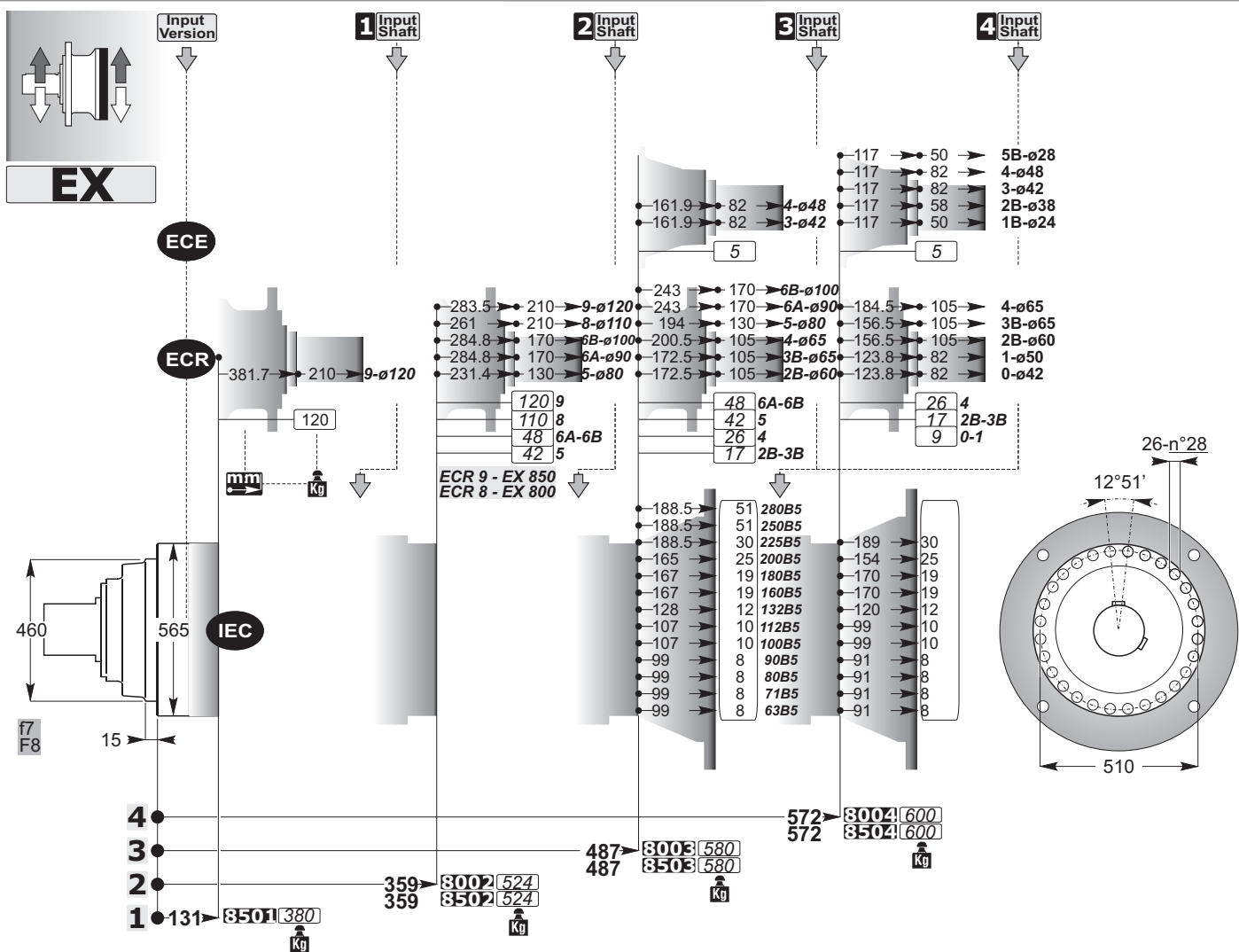
mm
C

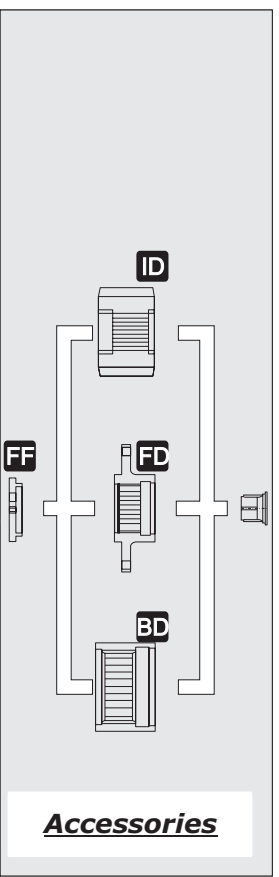
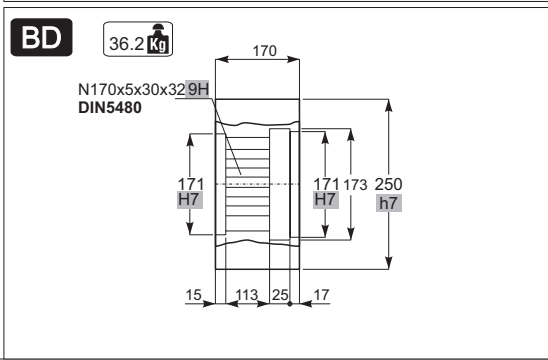
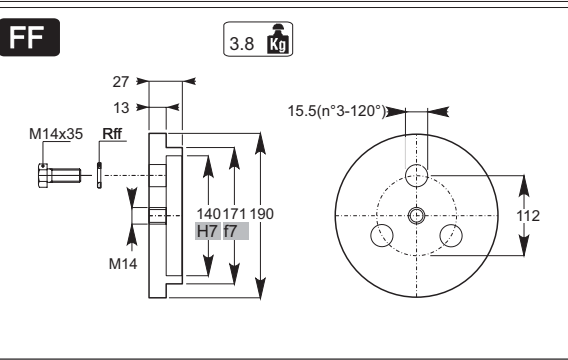
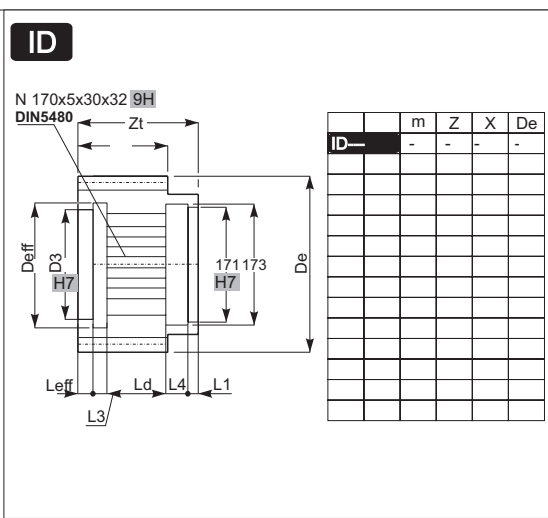
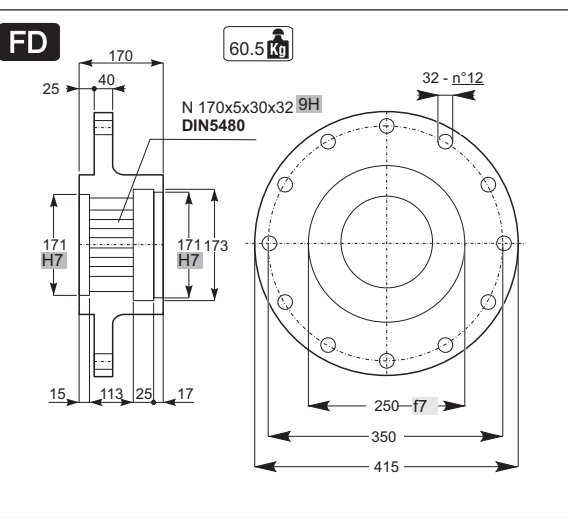
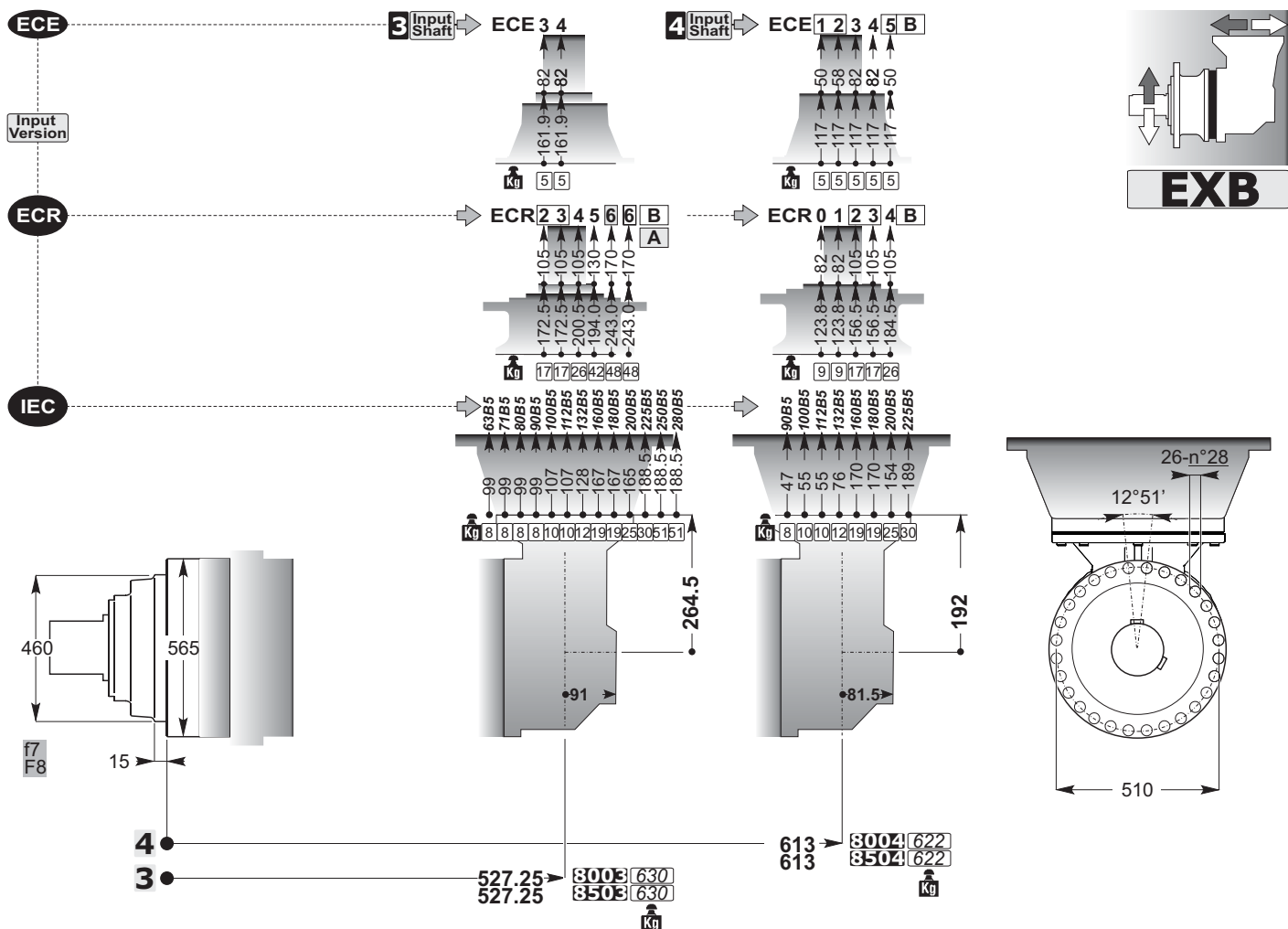


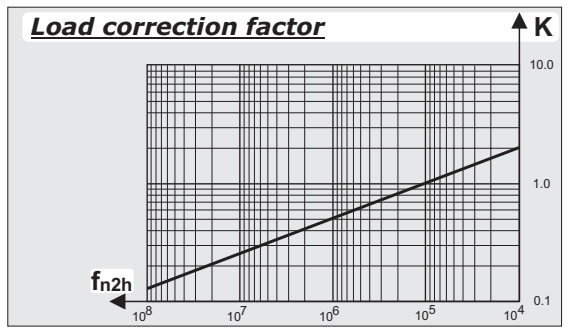
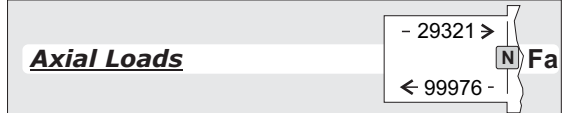
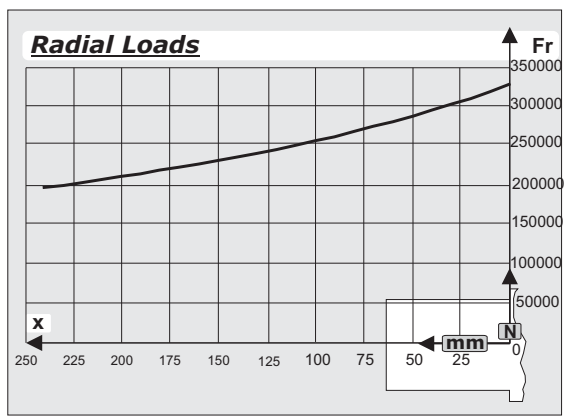
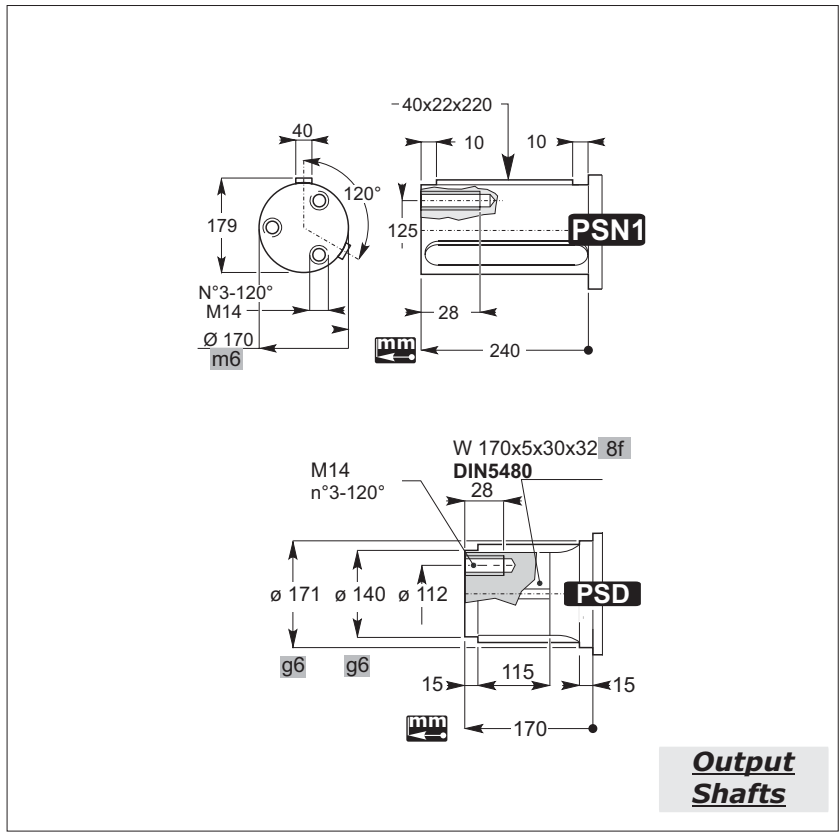
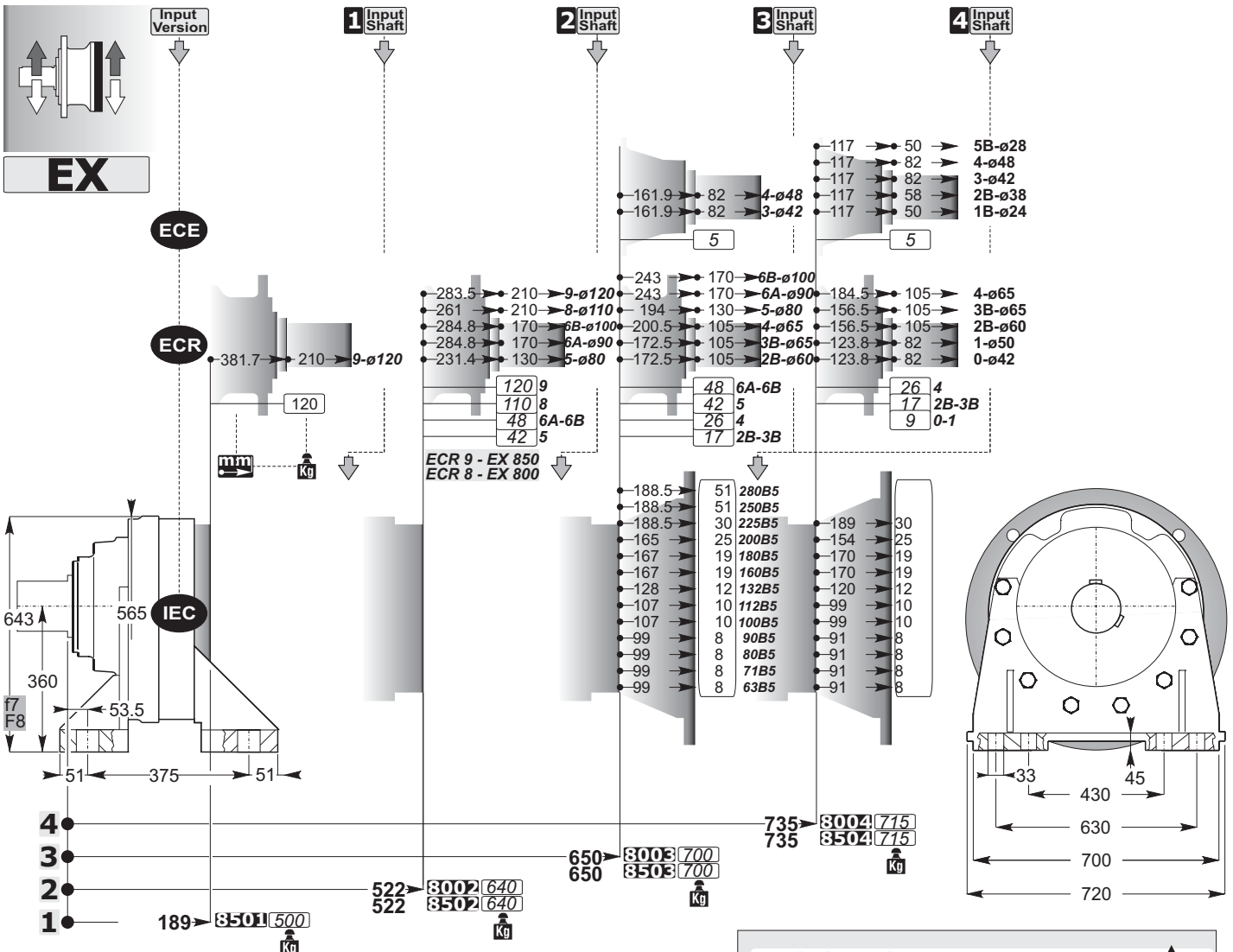
Output Shafts

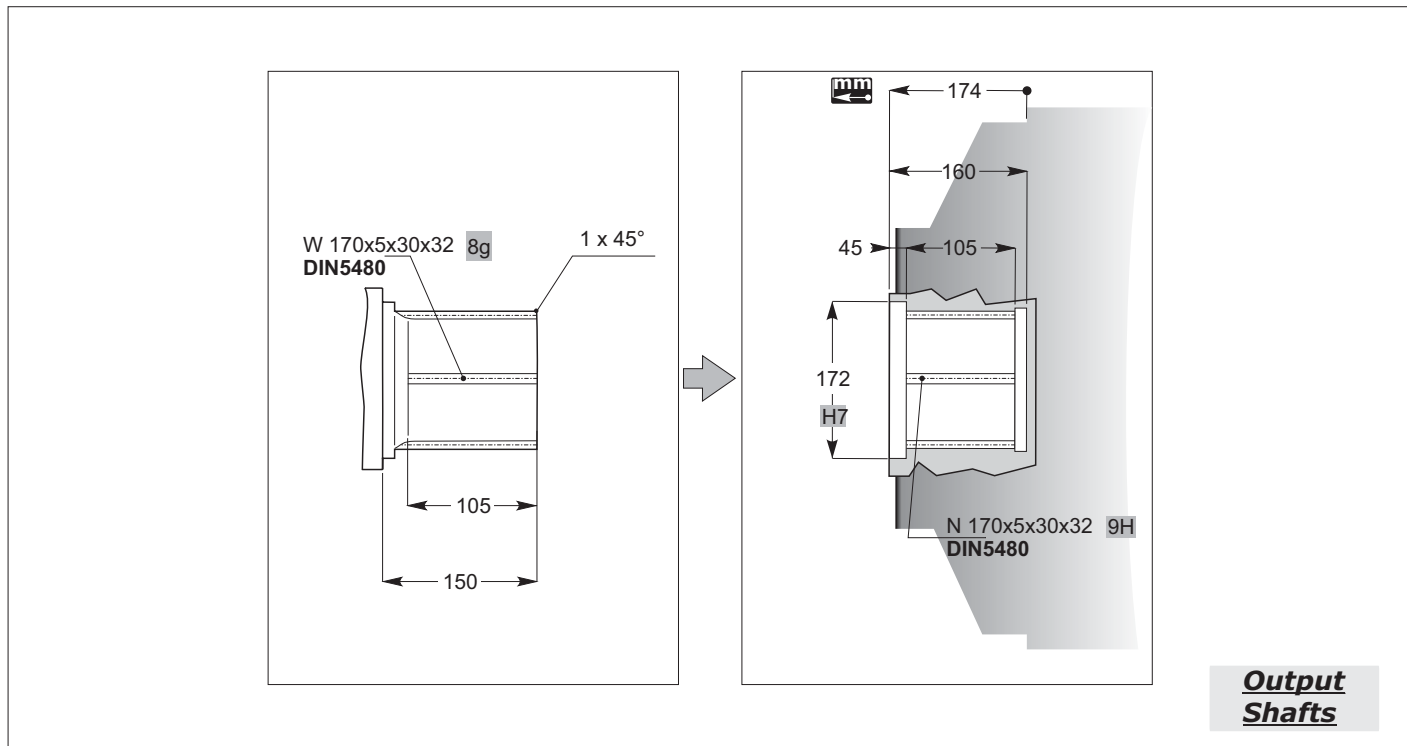
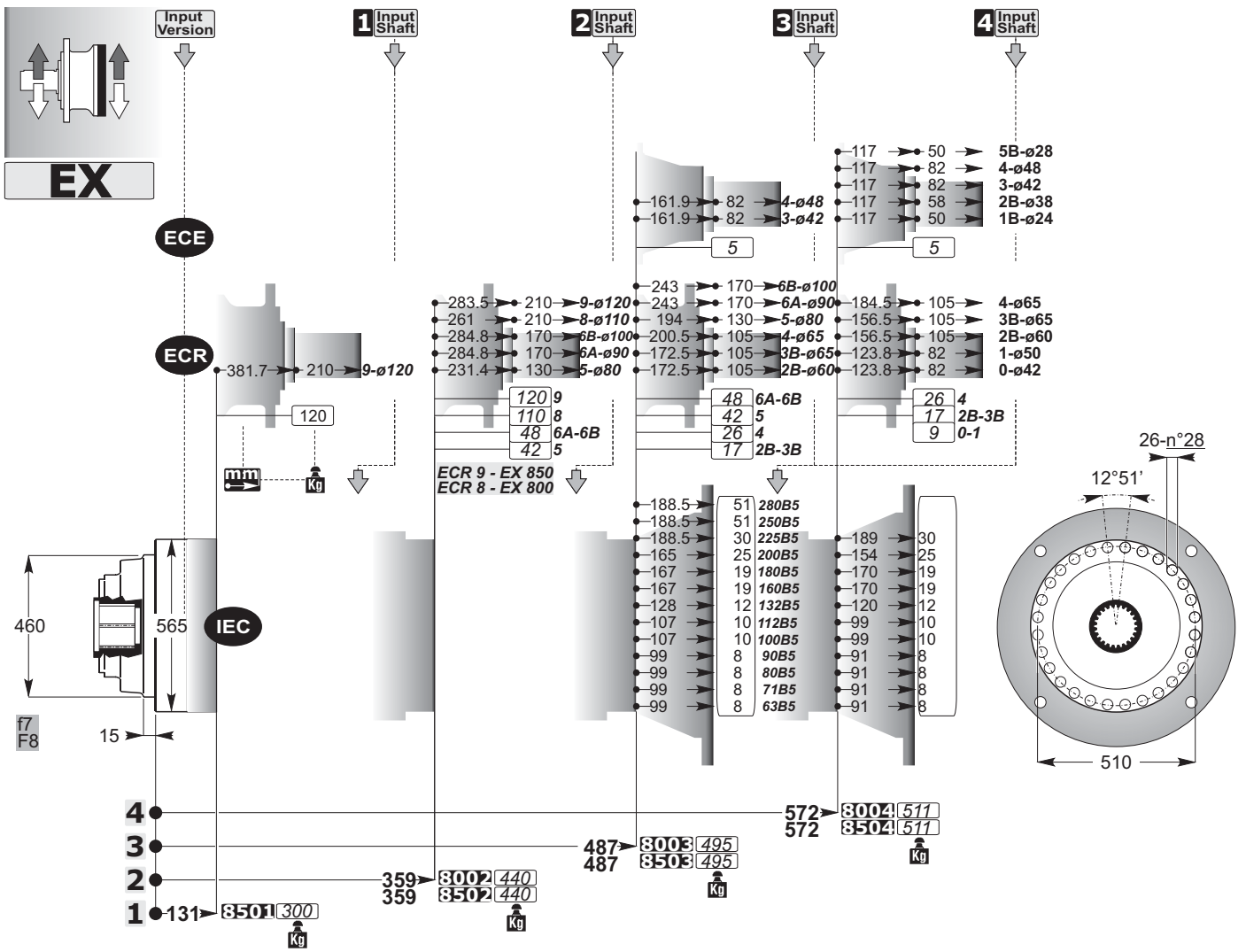


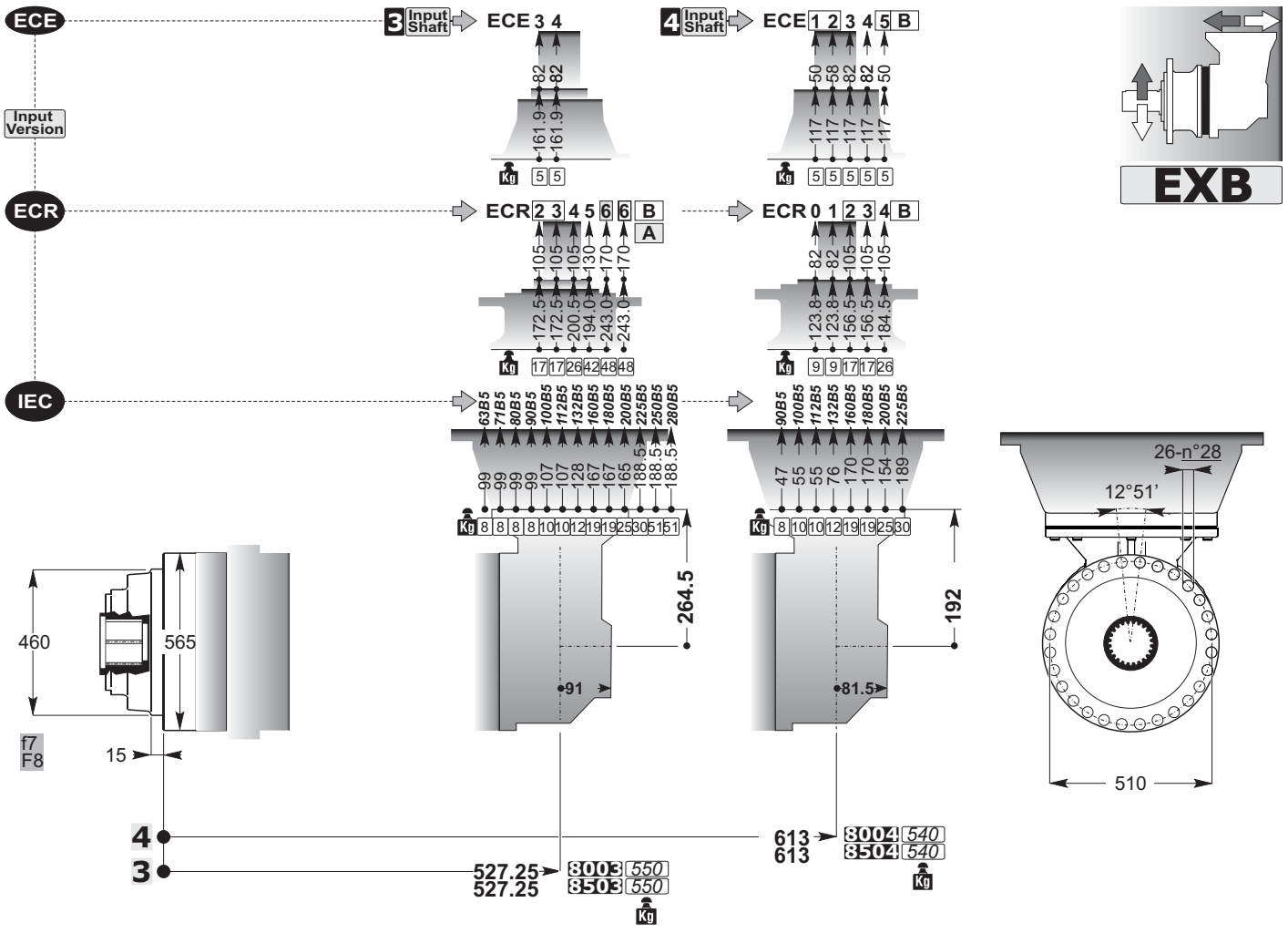
mm
C



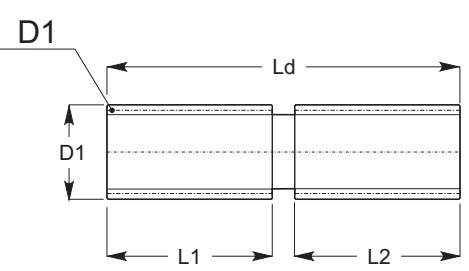






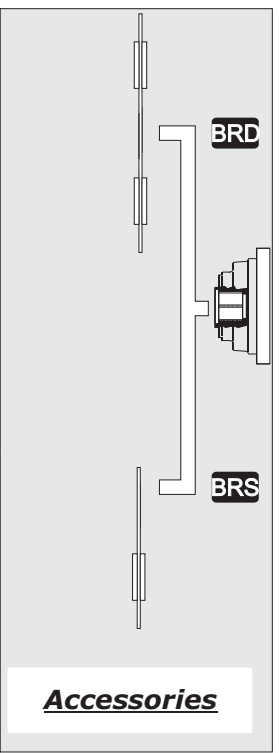
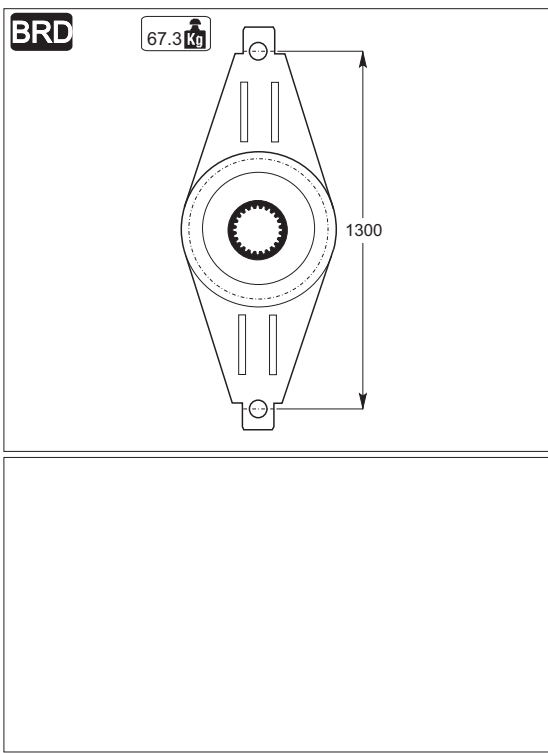
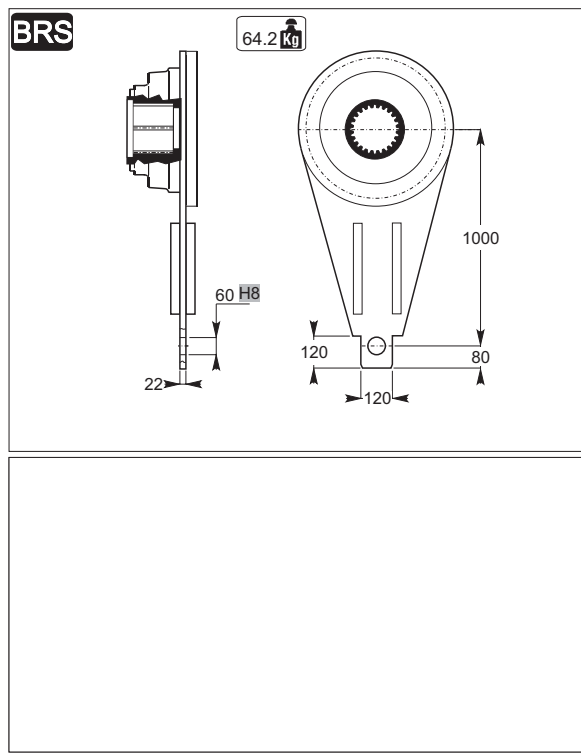
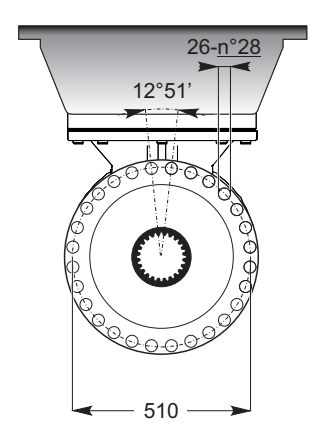
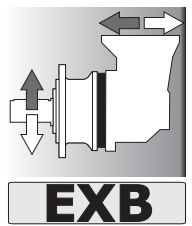
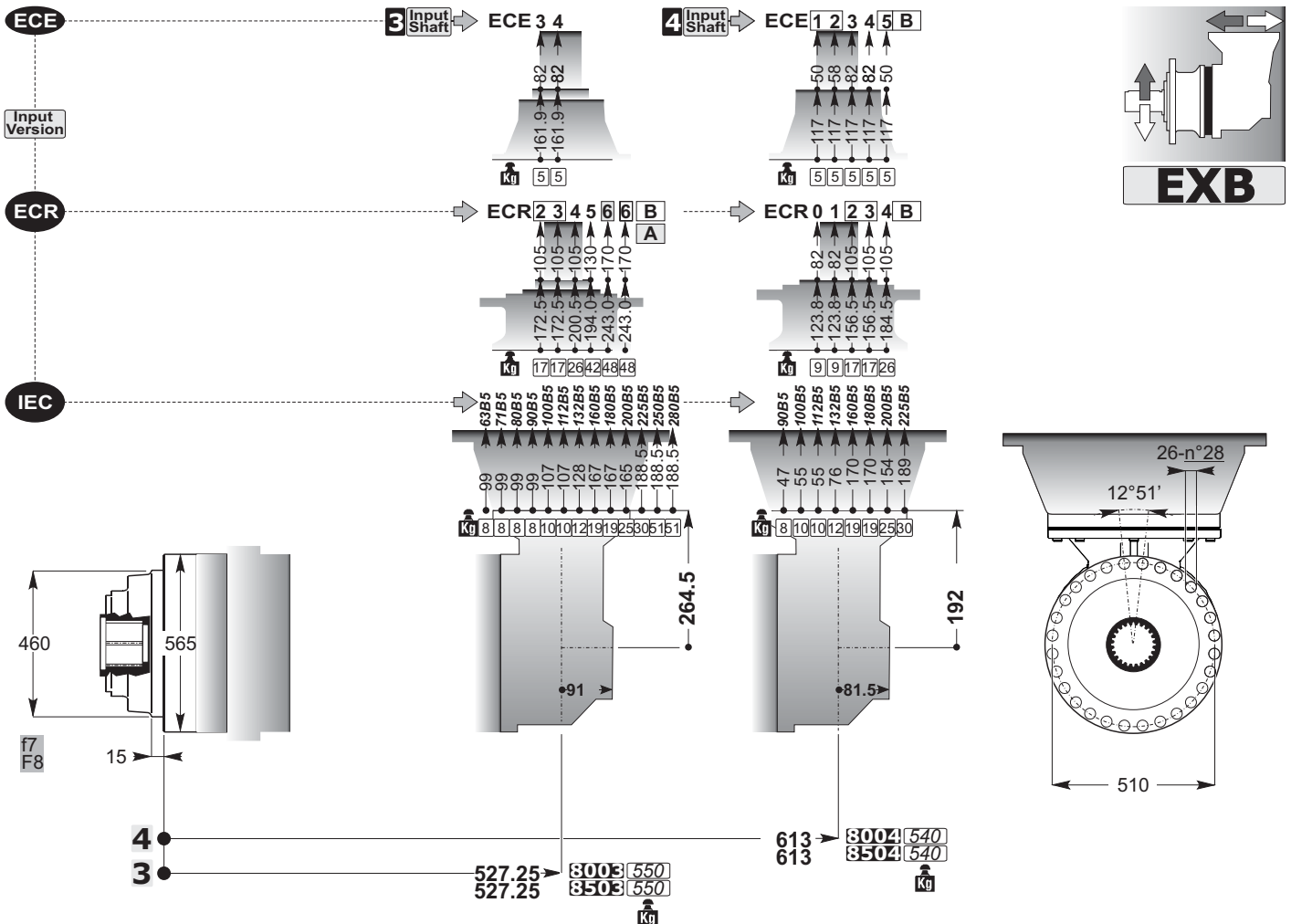


SD

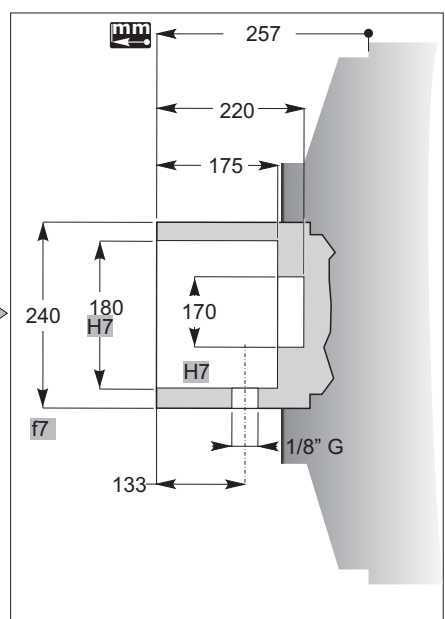
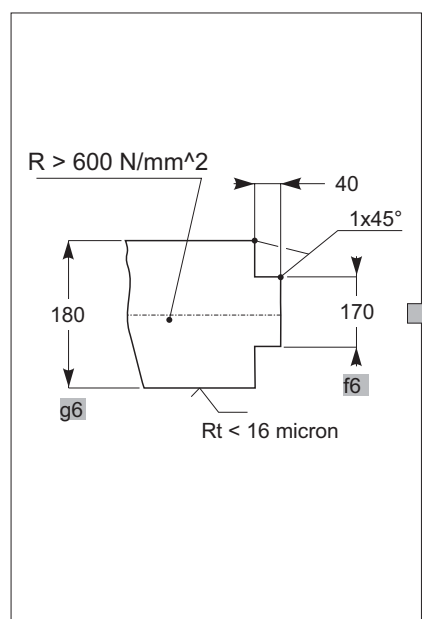
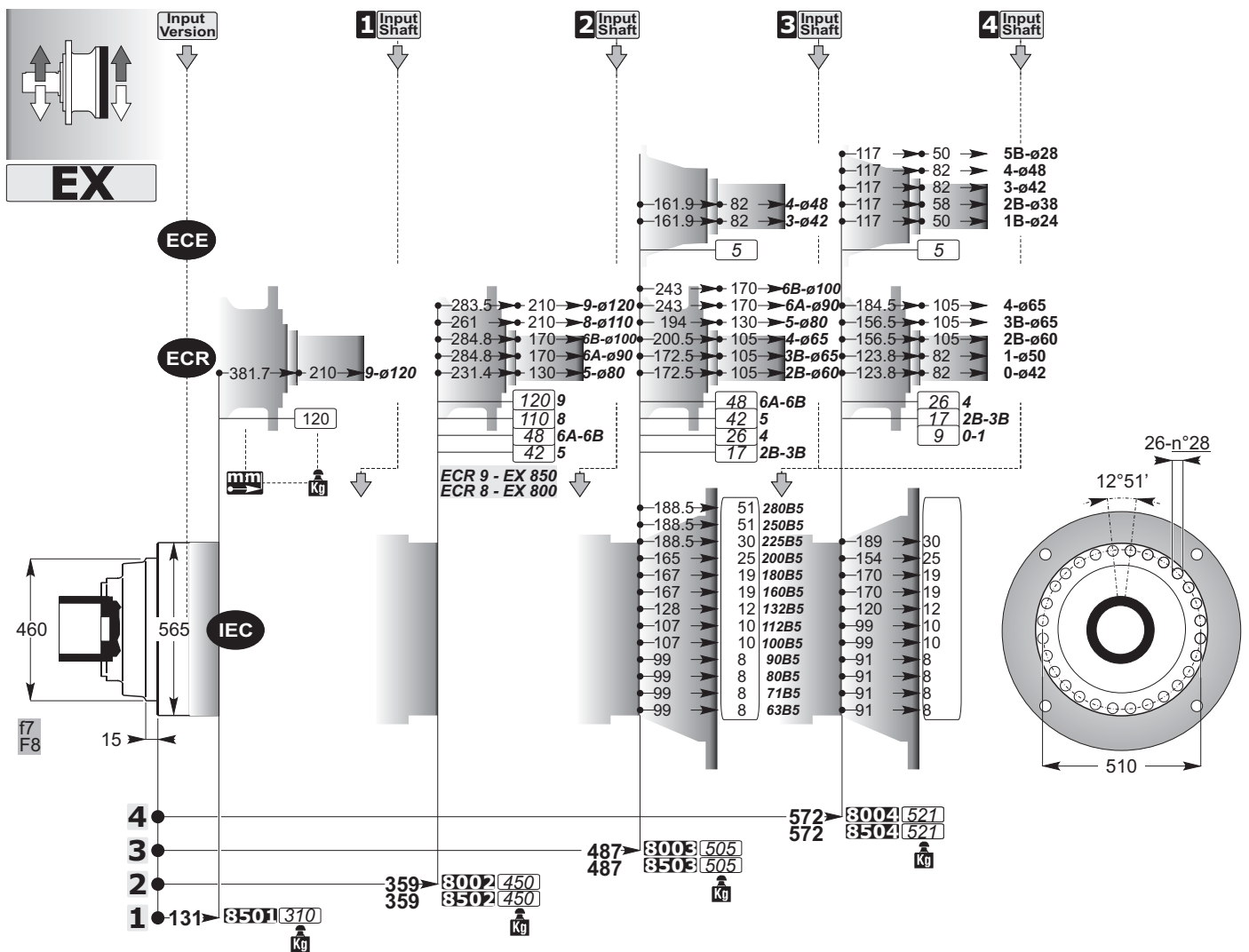


Accessories

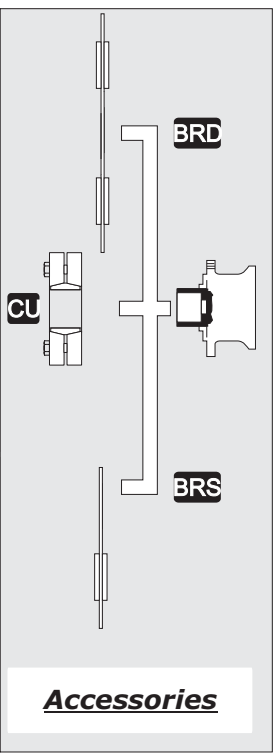
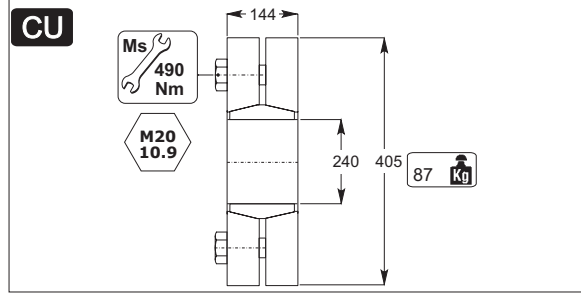
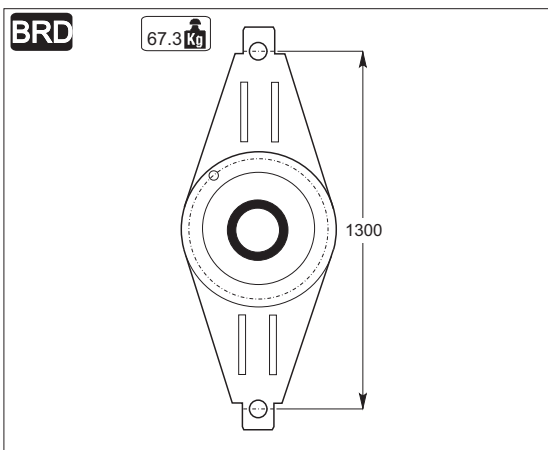
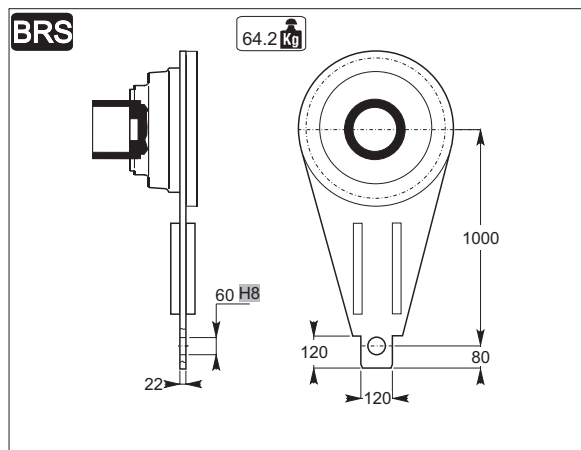
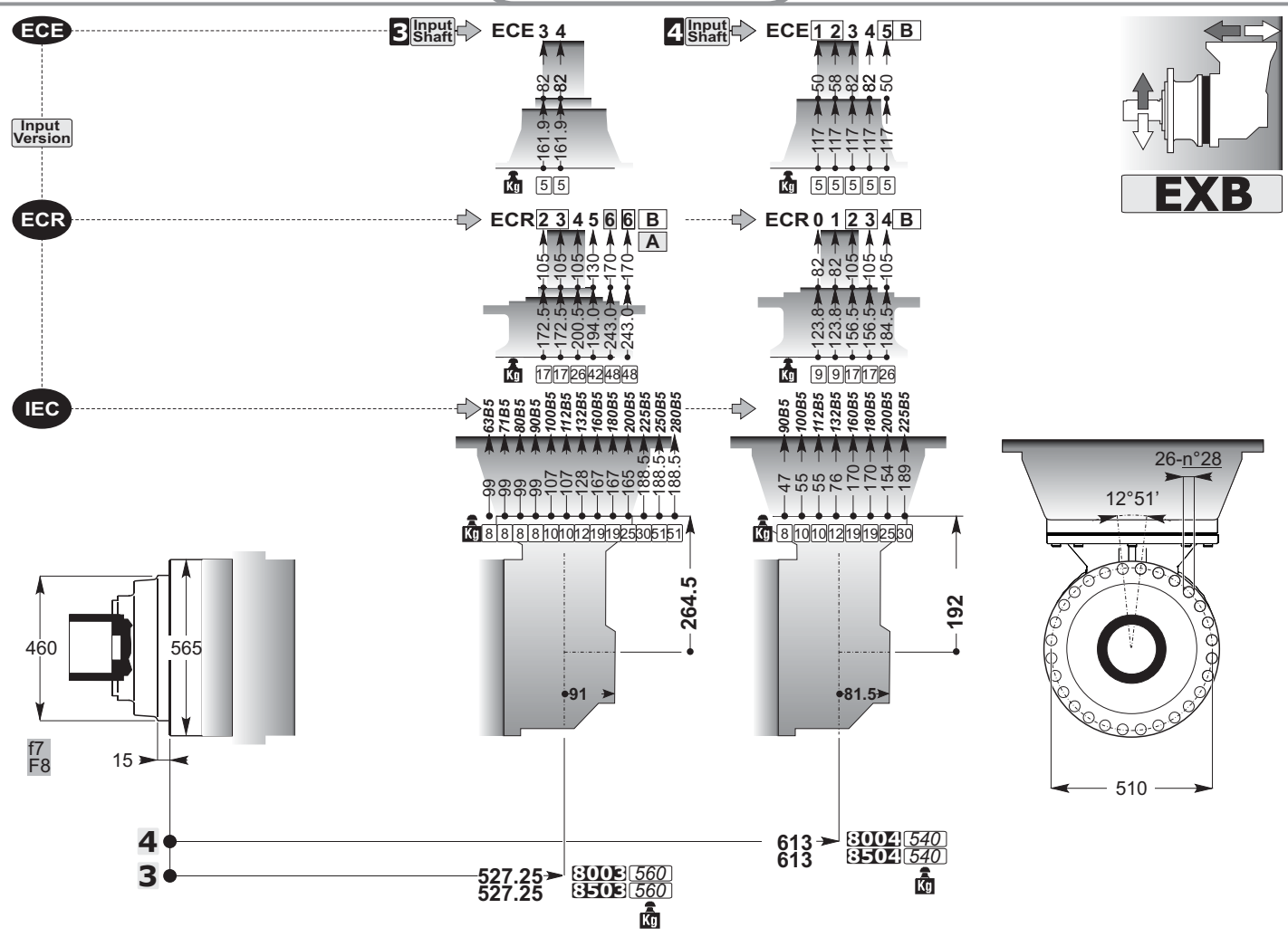
mm
C



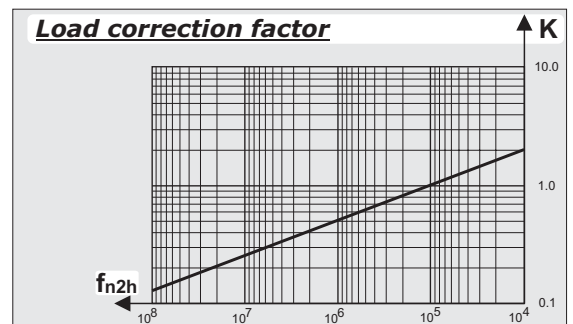
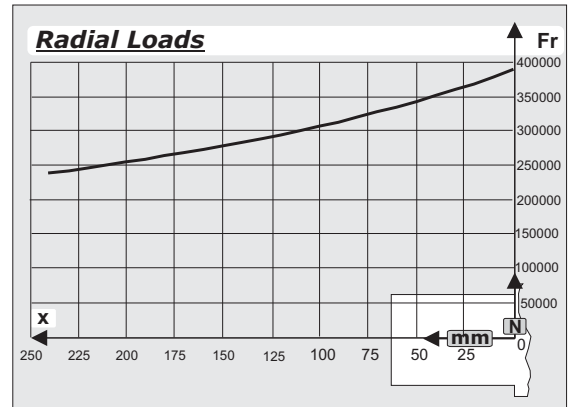
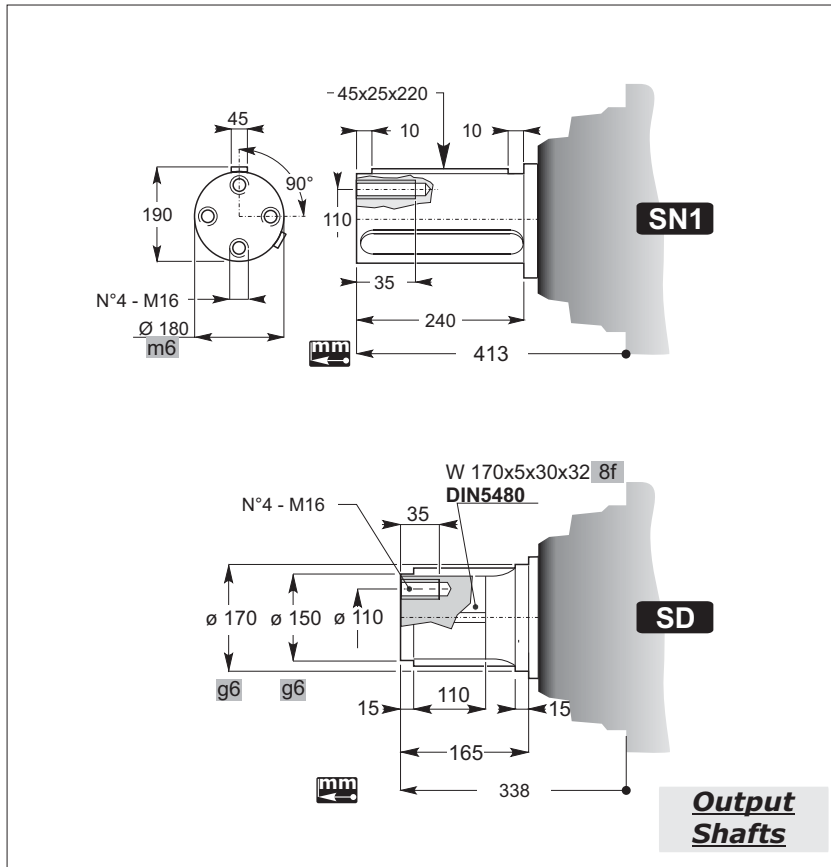
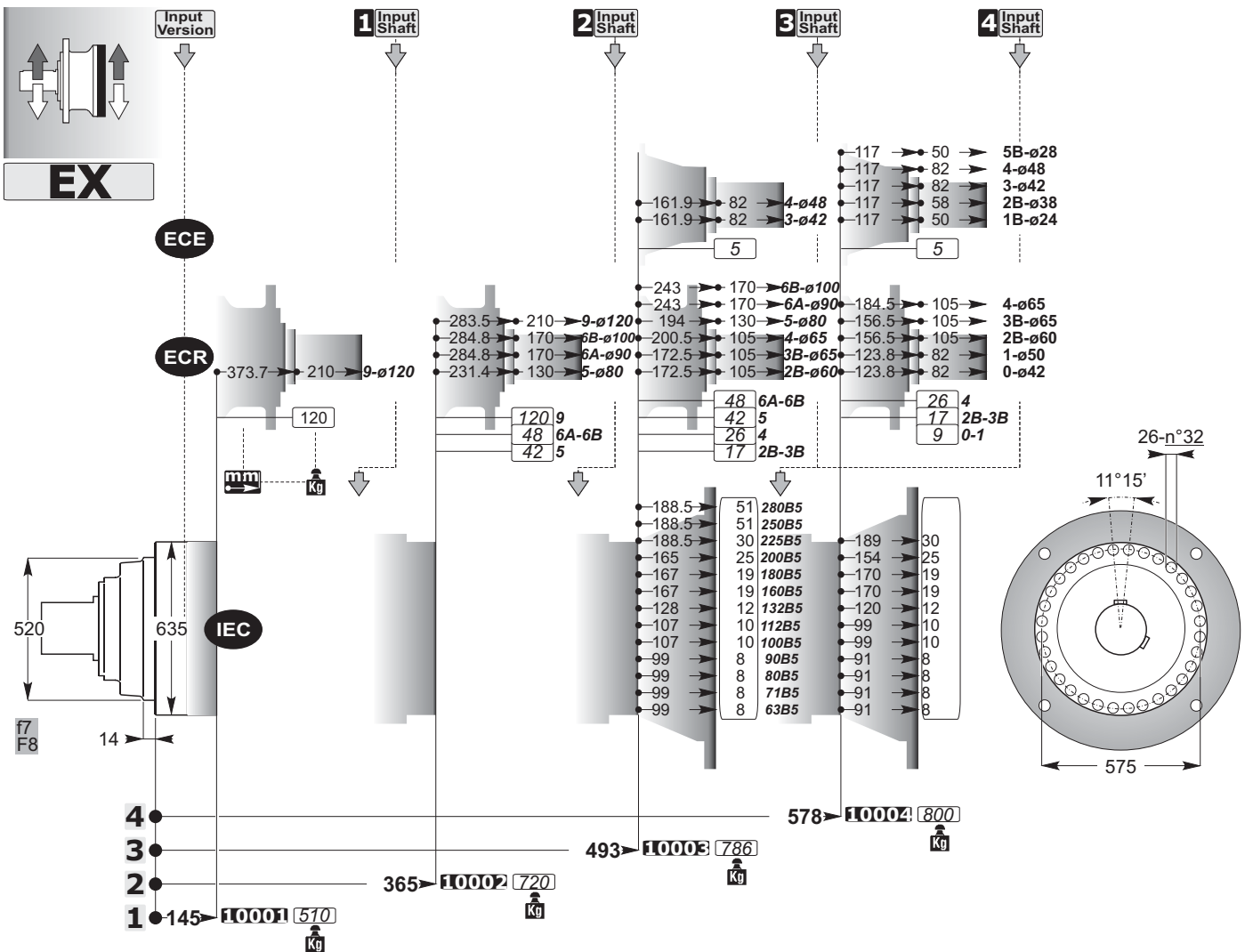
mm
C



Output Shafts



mm
C



ECE

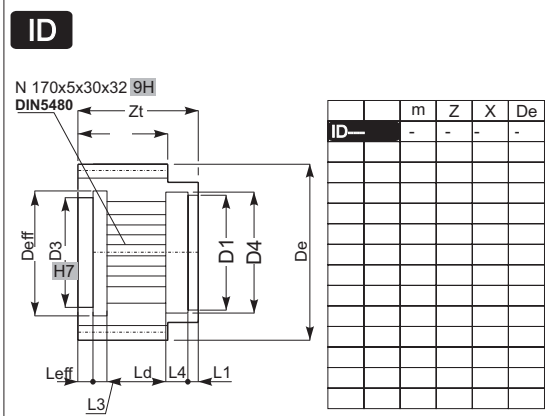
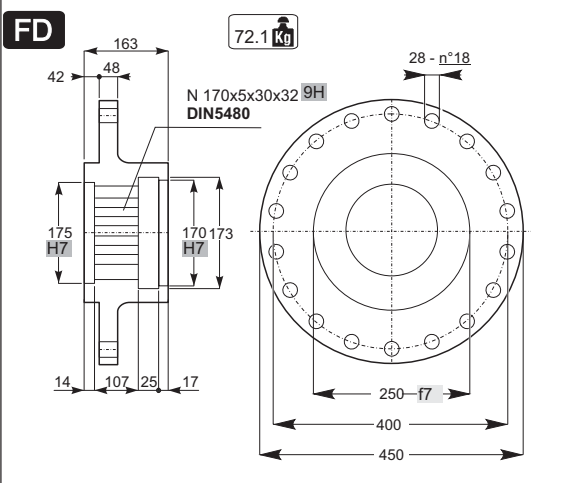
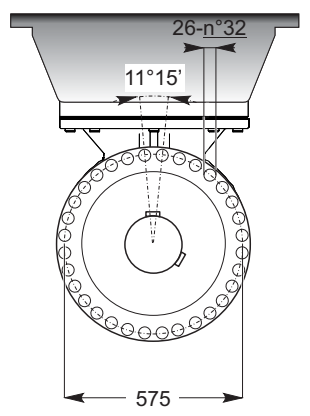
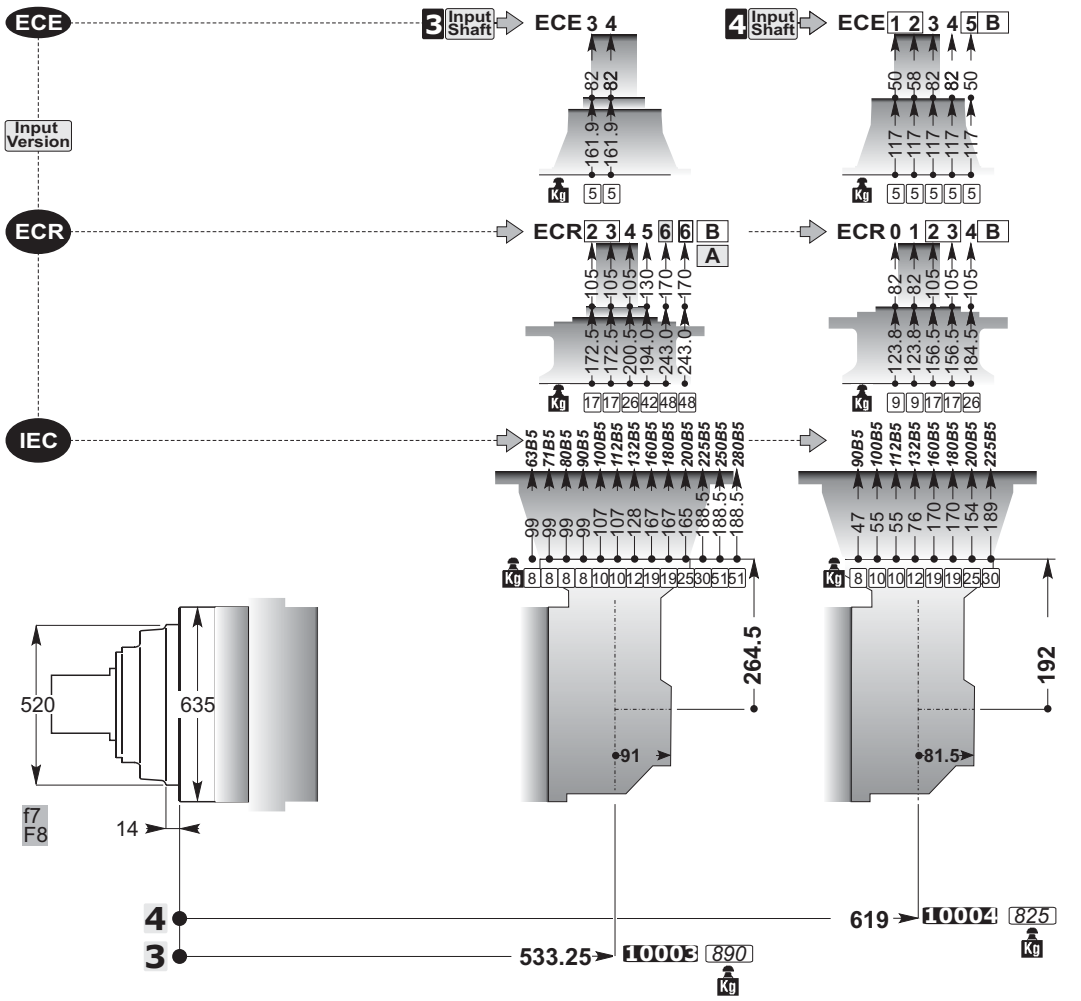
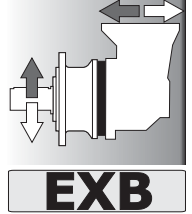
3 Input Shaft

4 Input Shaft

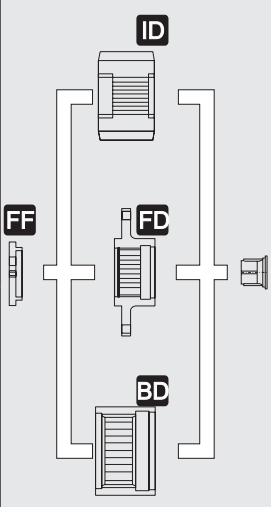
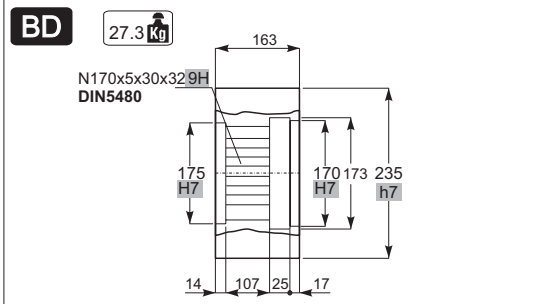
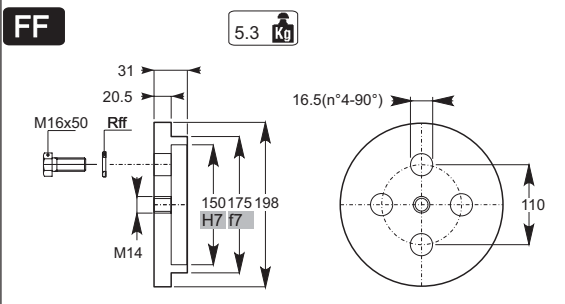
Input Version

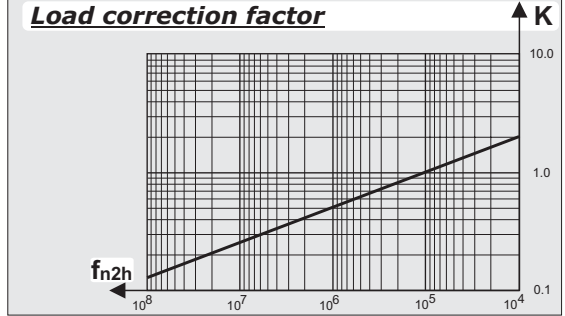
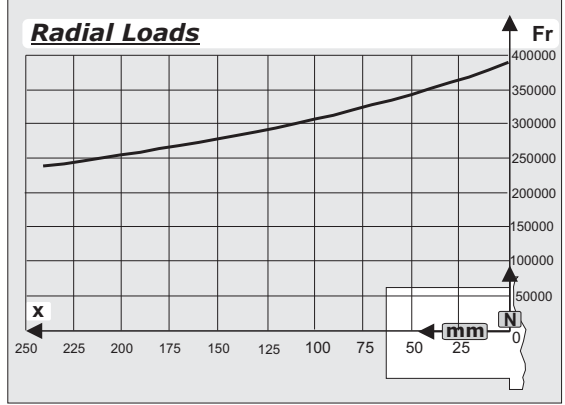
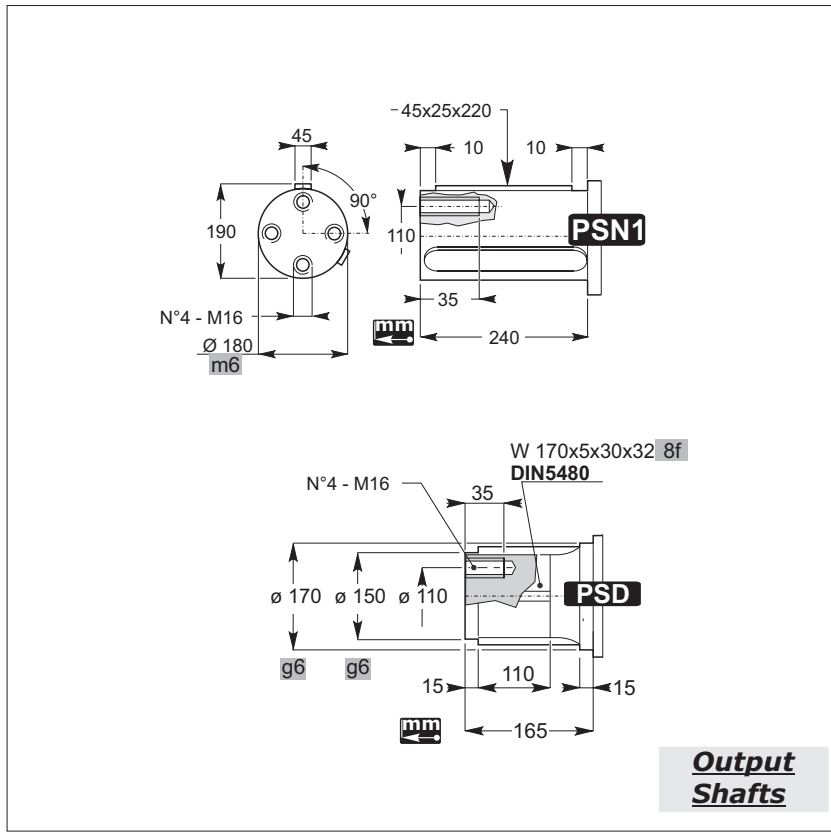
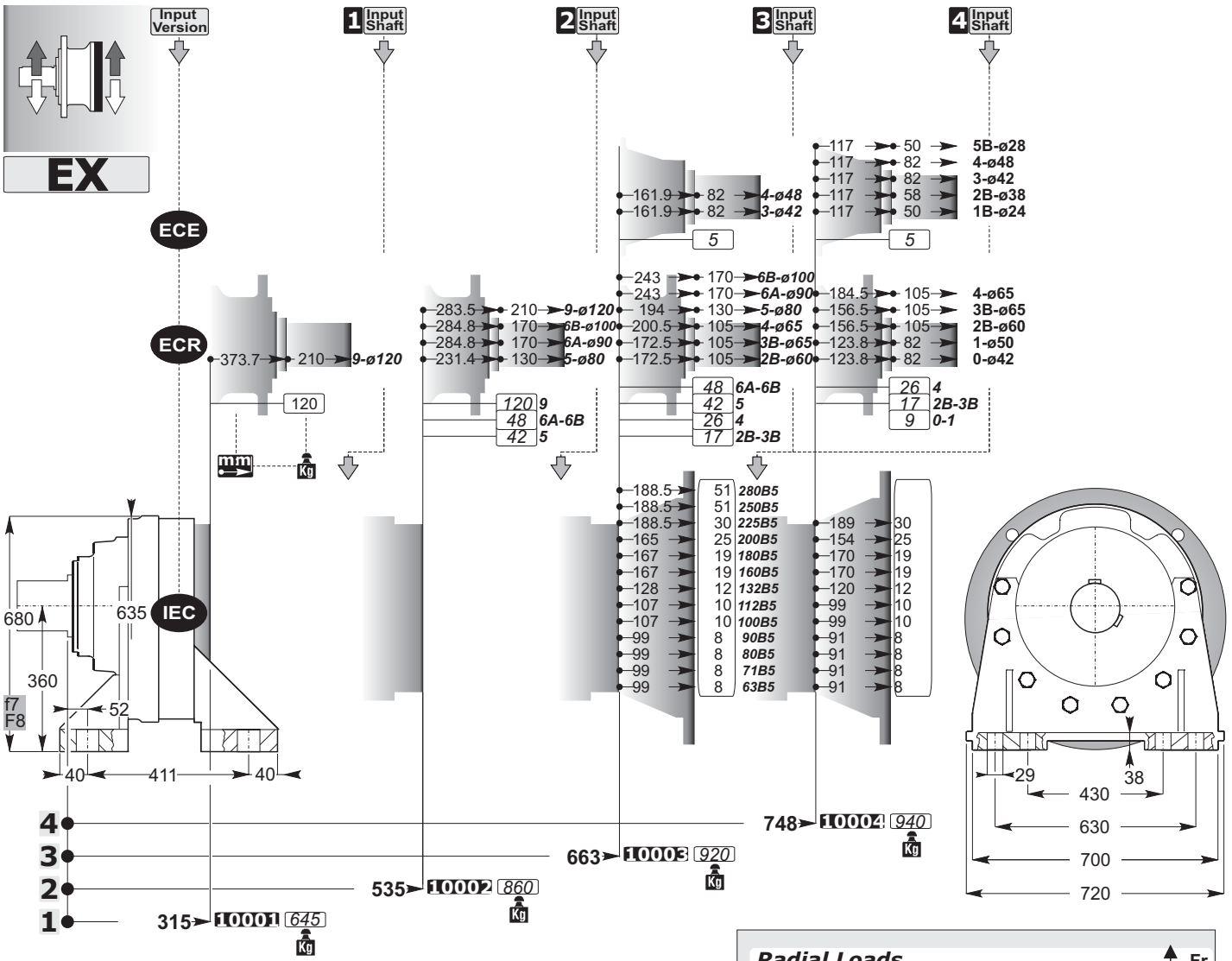
ECR

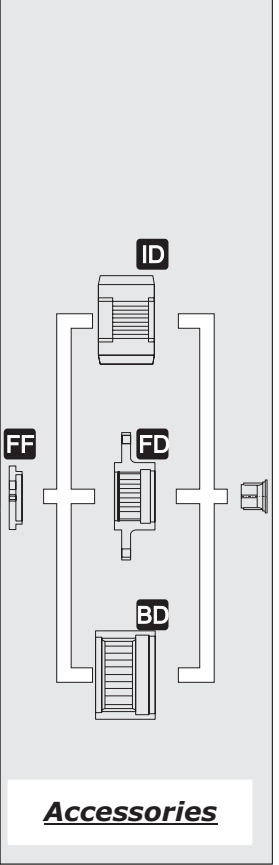
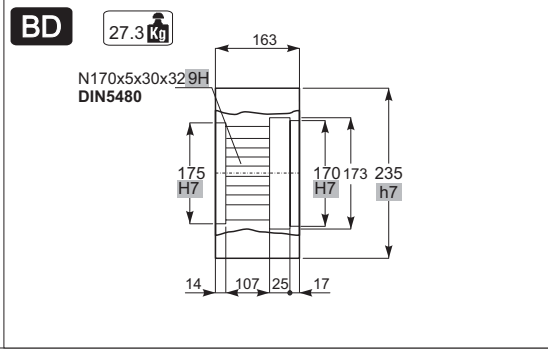
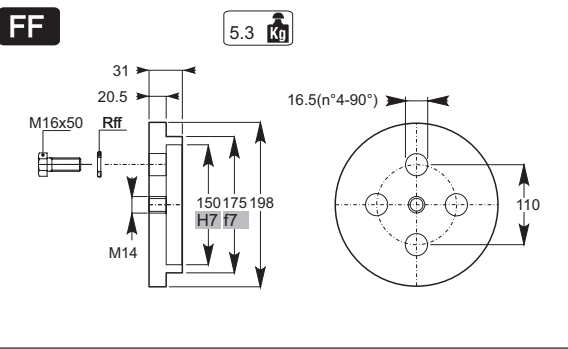
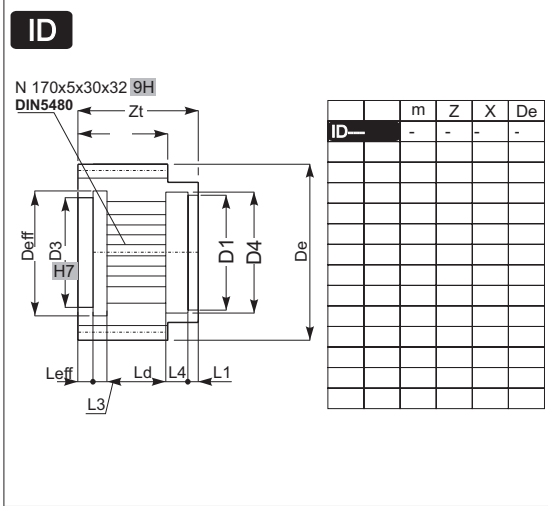
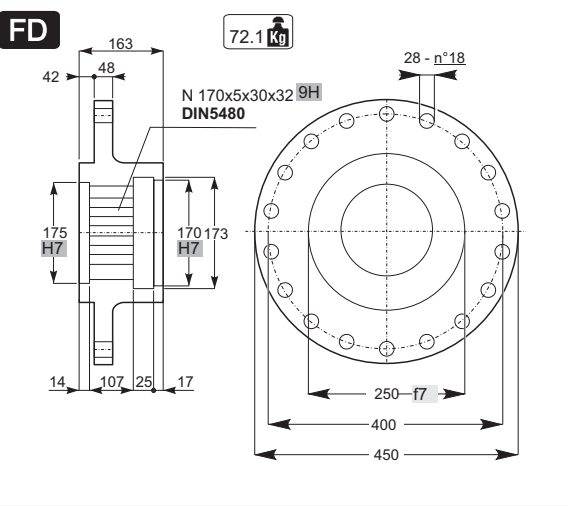
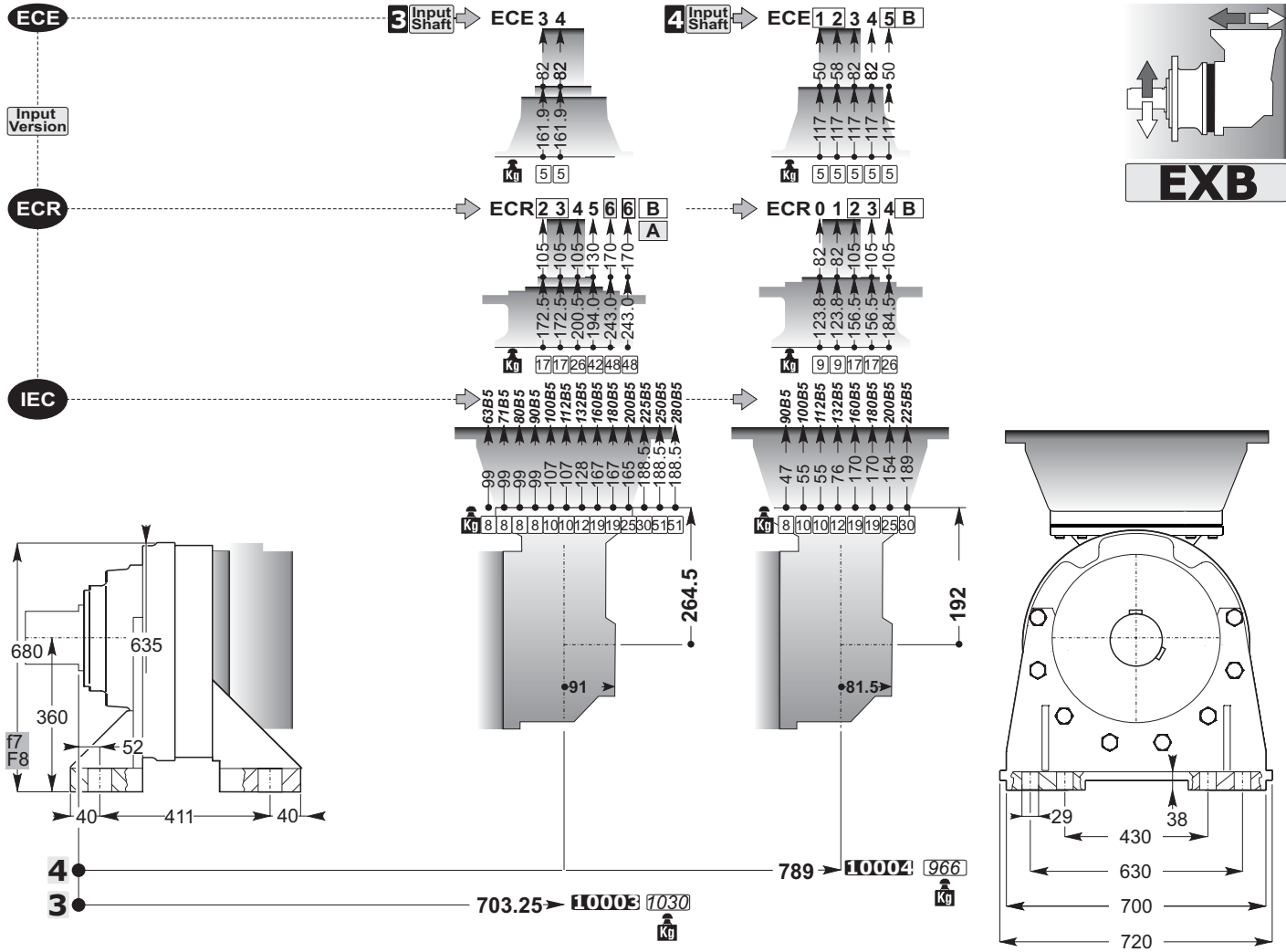
IEC



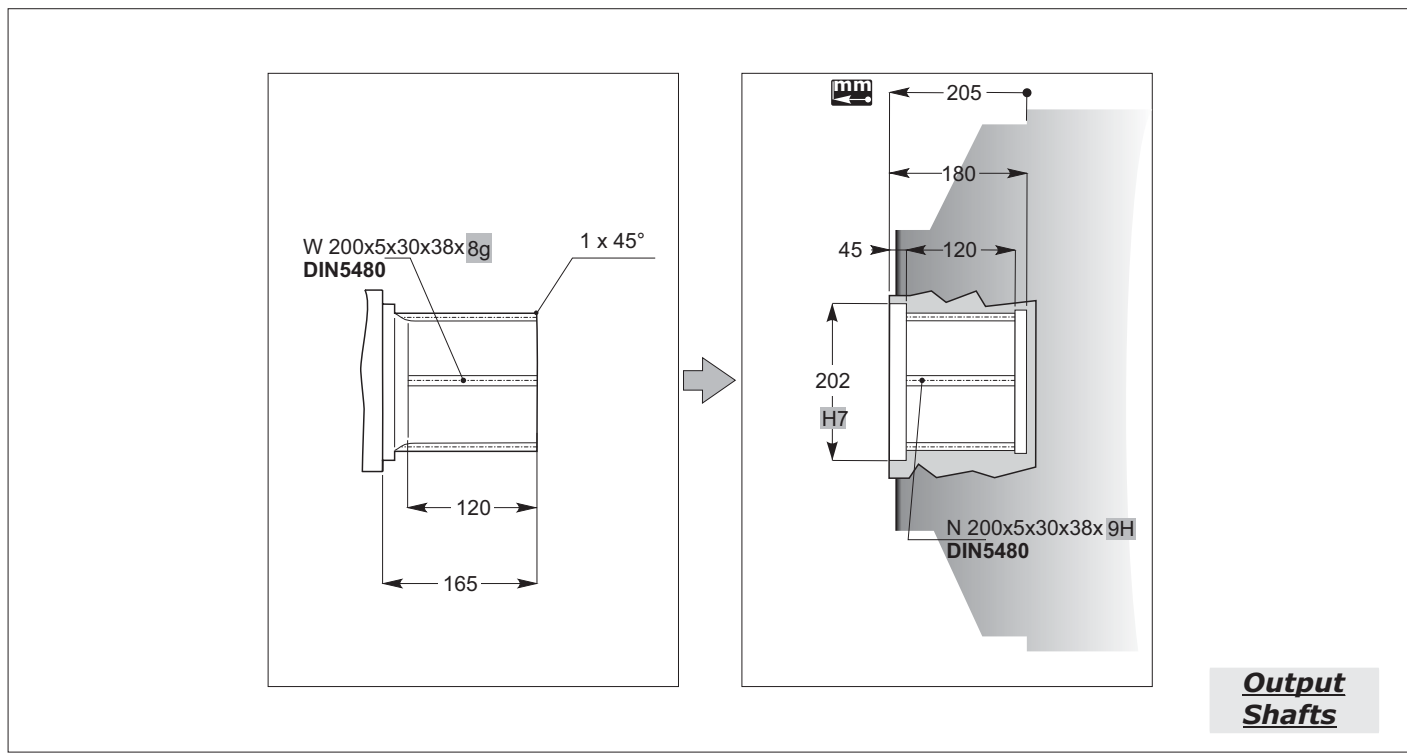
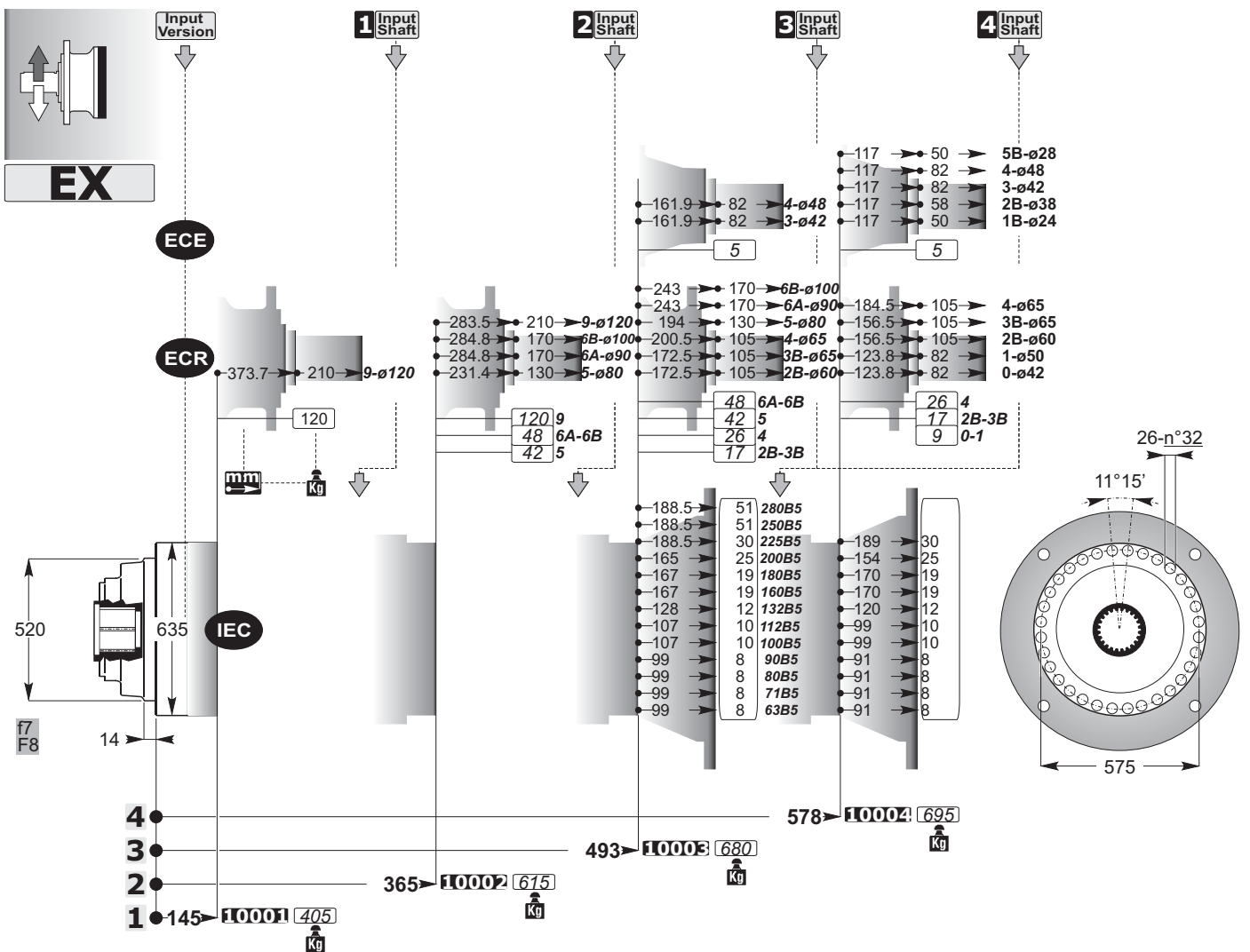
ID	m	Z	X	De







mm
C



ECE

3 Input Shaft

ECE 3 4

4 Input Shaft

ECE 1 2 3 4 5 B

Input Version

ECR

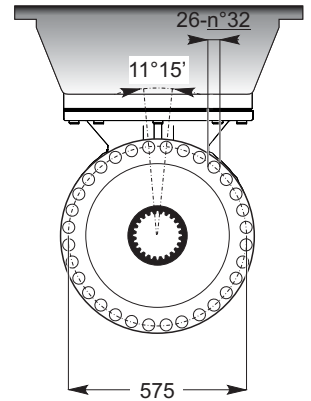
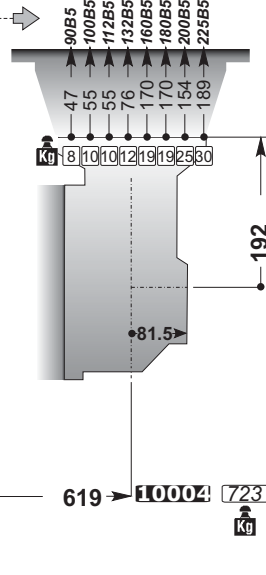
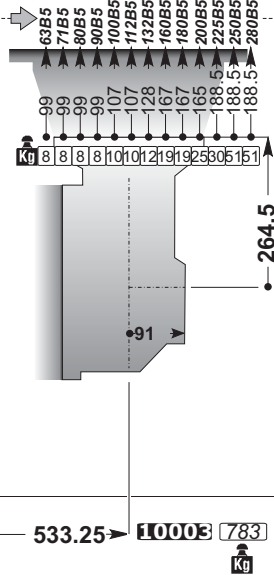
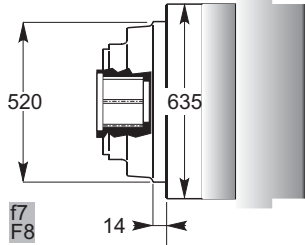
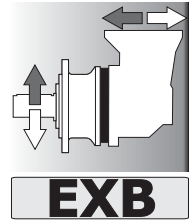
ECR 2 3 4 5 6 B A

ECR 0 1 2 3 4 B

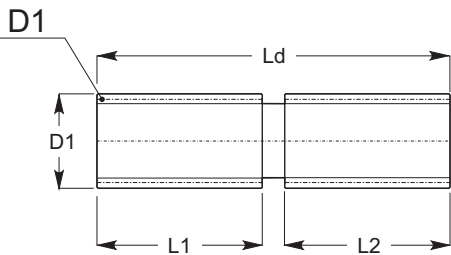
IEC

IEC 63B5 71B5 80B5 90B5 100B5 112B5 128B5 143B5 160B5 180B5 200B5 225B5 250B5 280B5

IEC 90B5 100B5 112B5 132B5 160B5 180B5 200B5 225B5

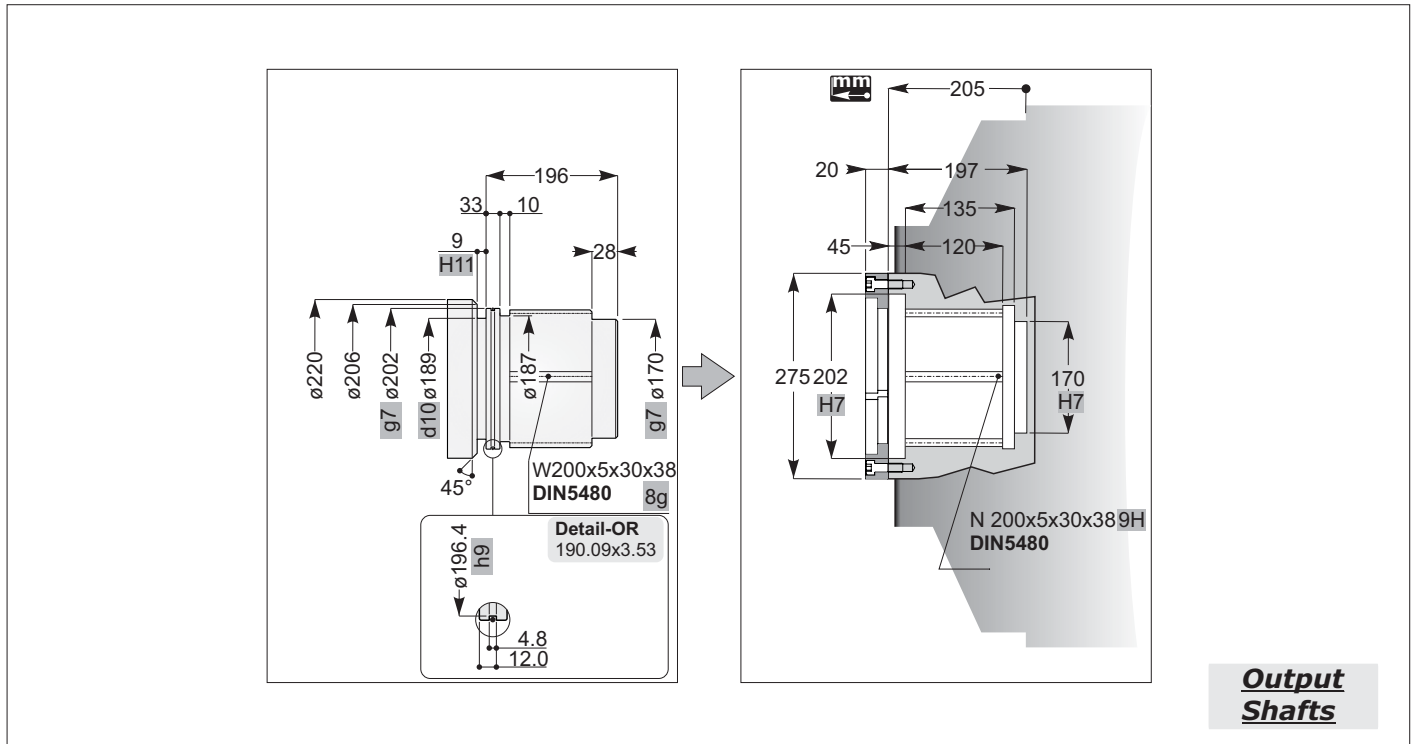
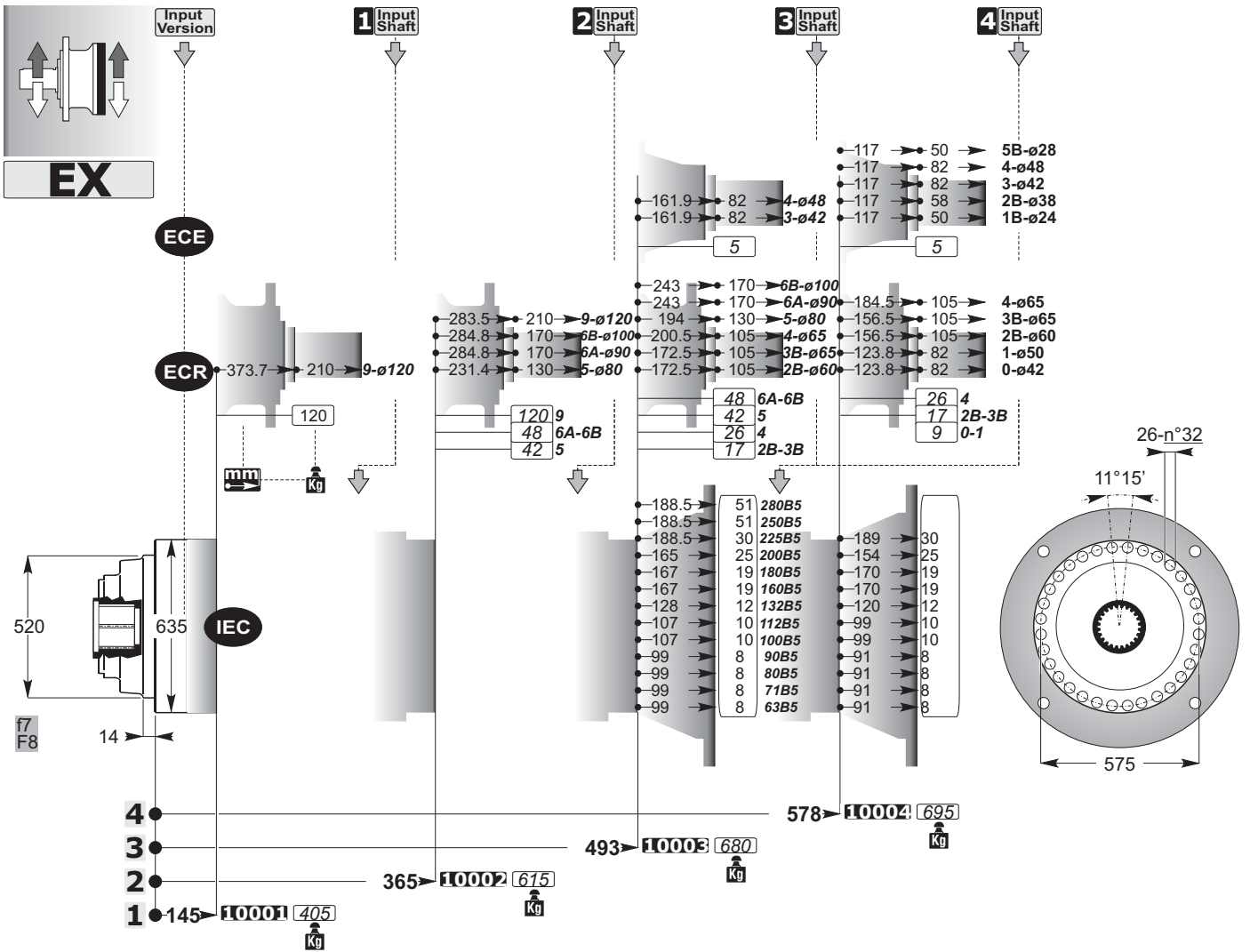


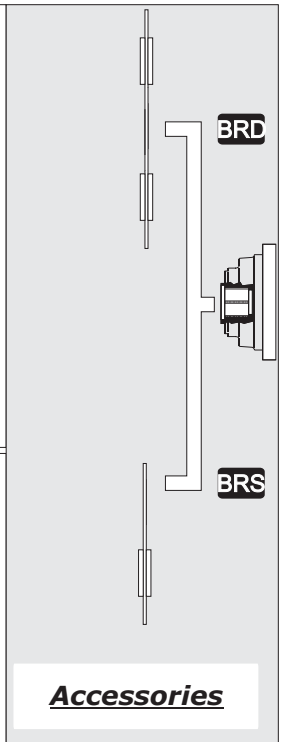
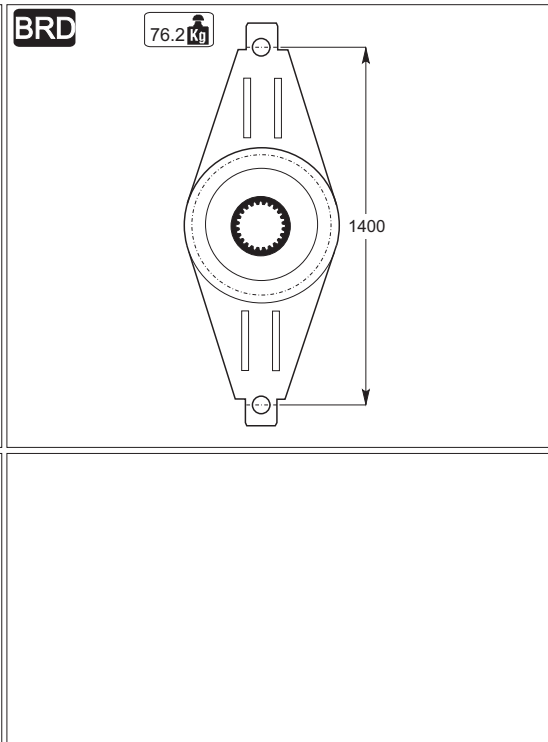
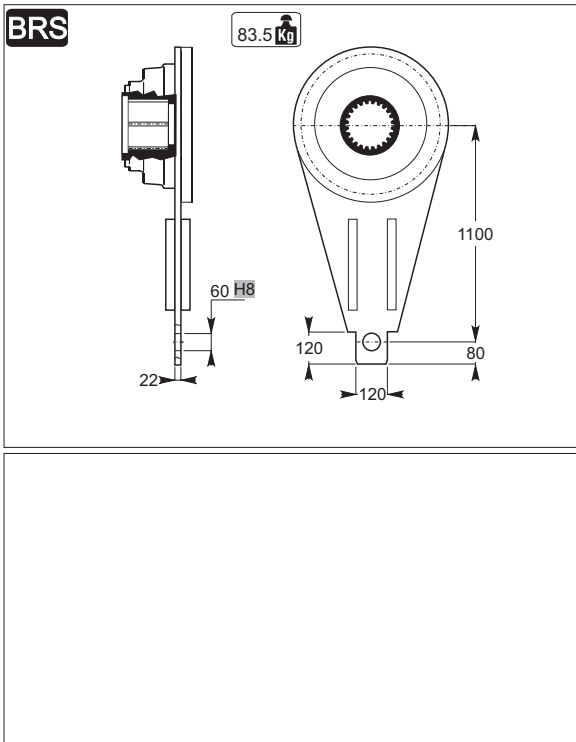
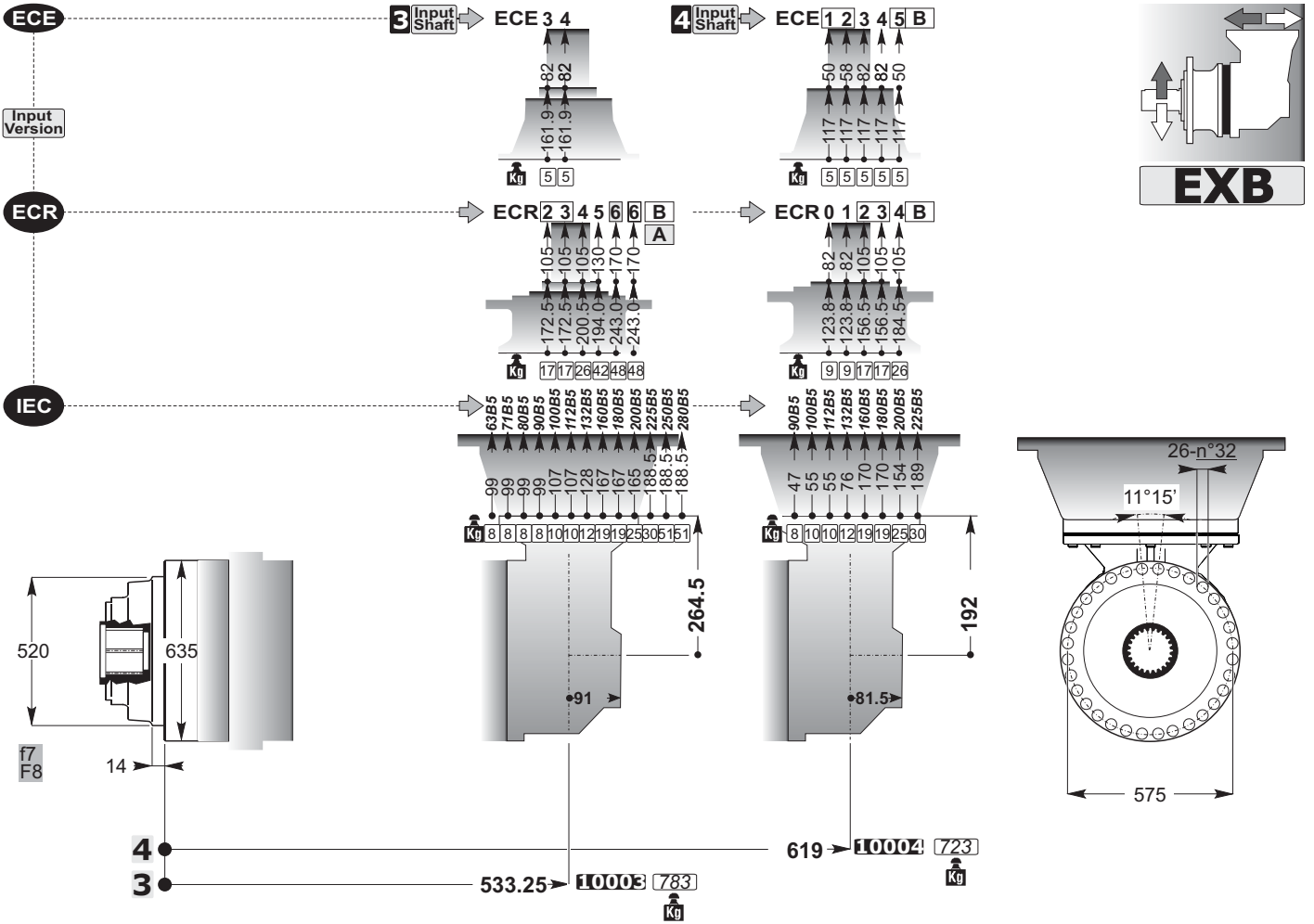
SD



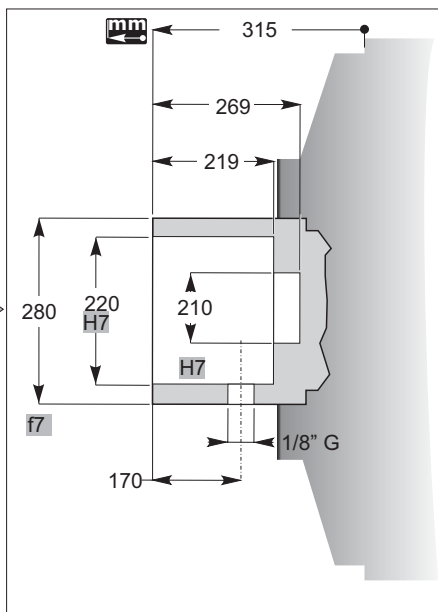
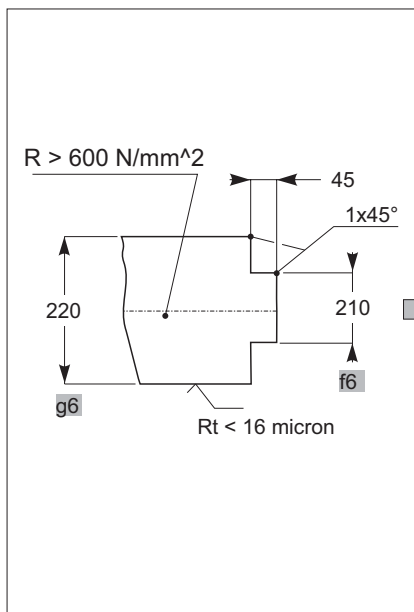
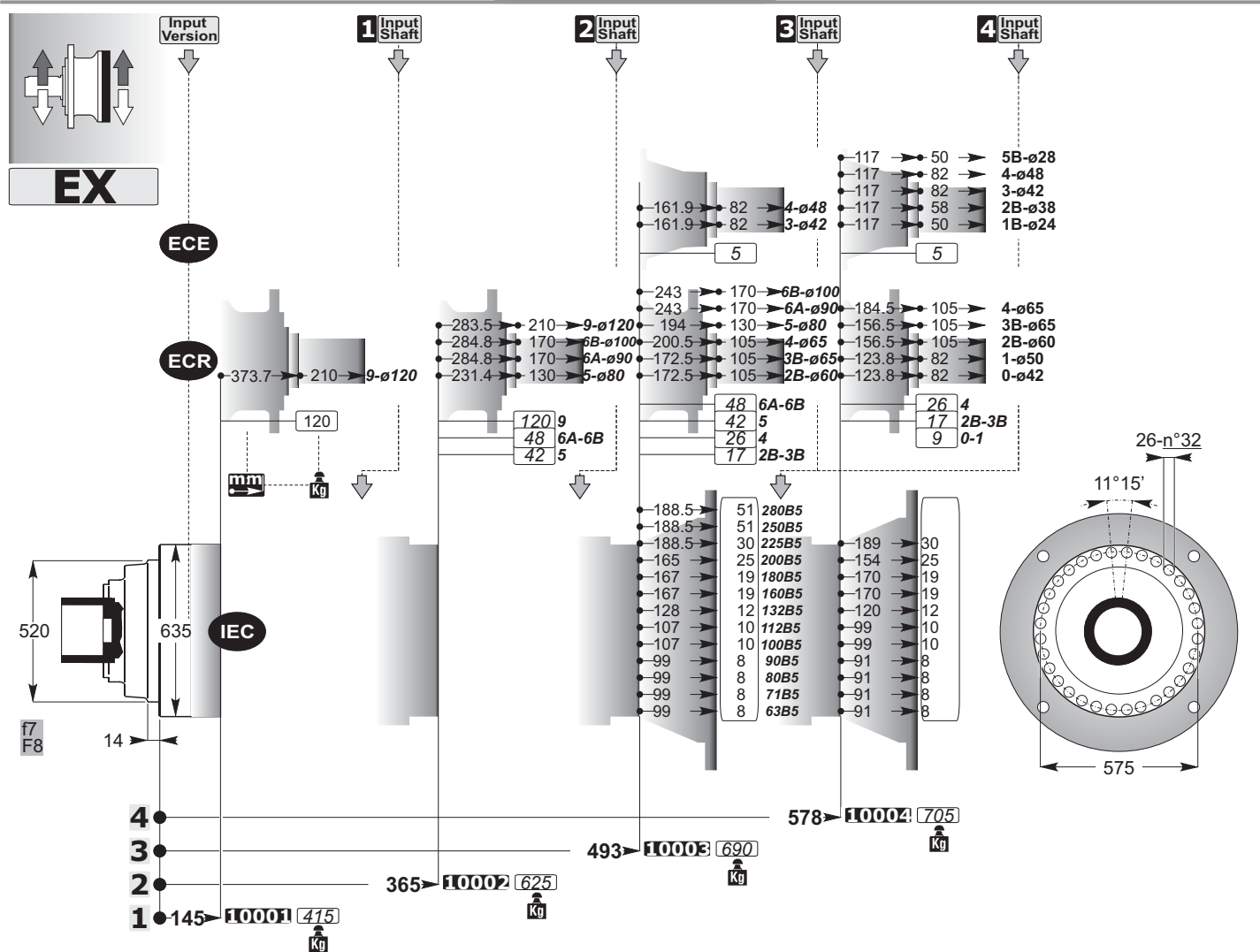
Accessories

mm
C

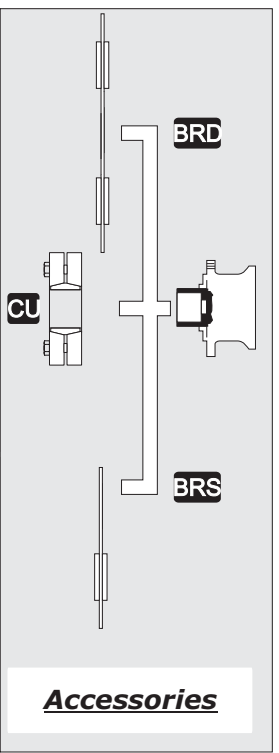
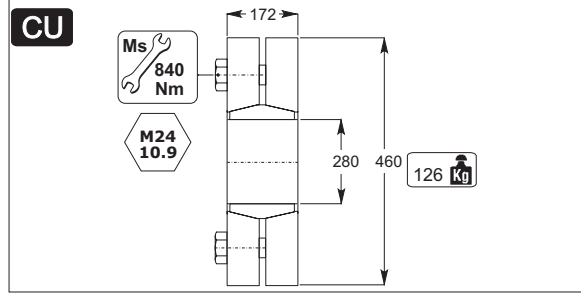
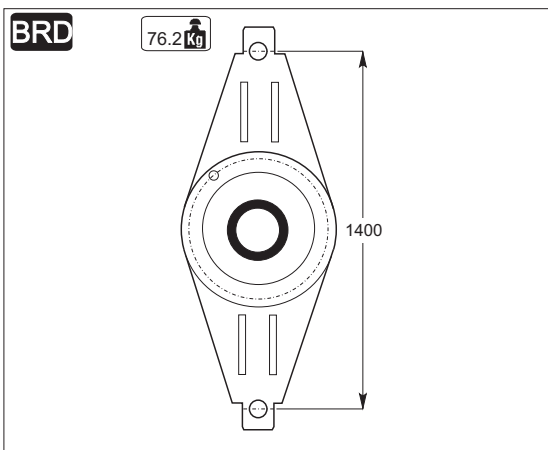
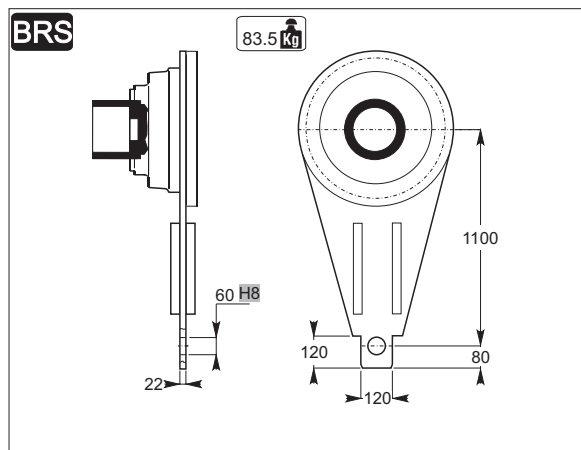
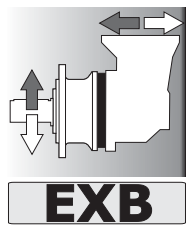
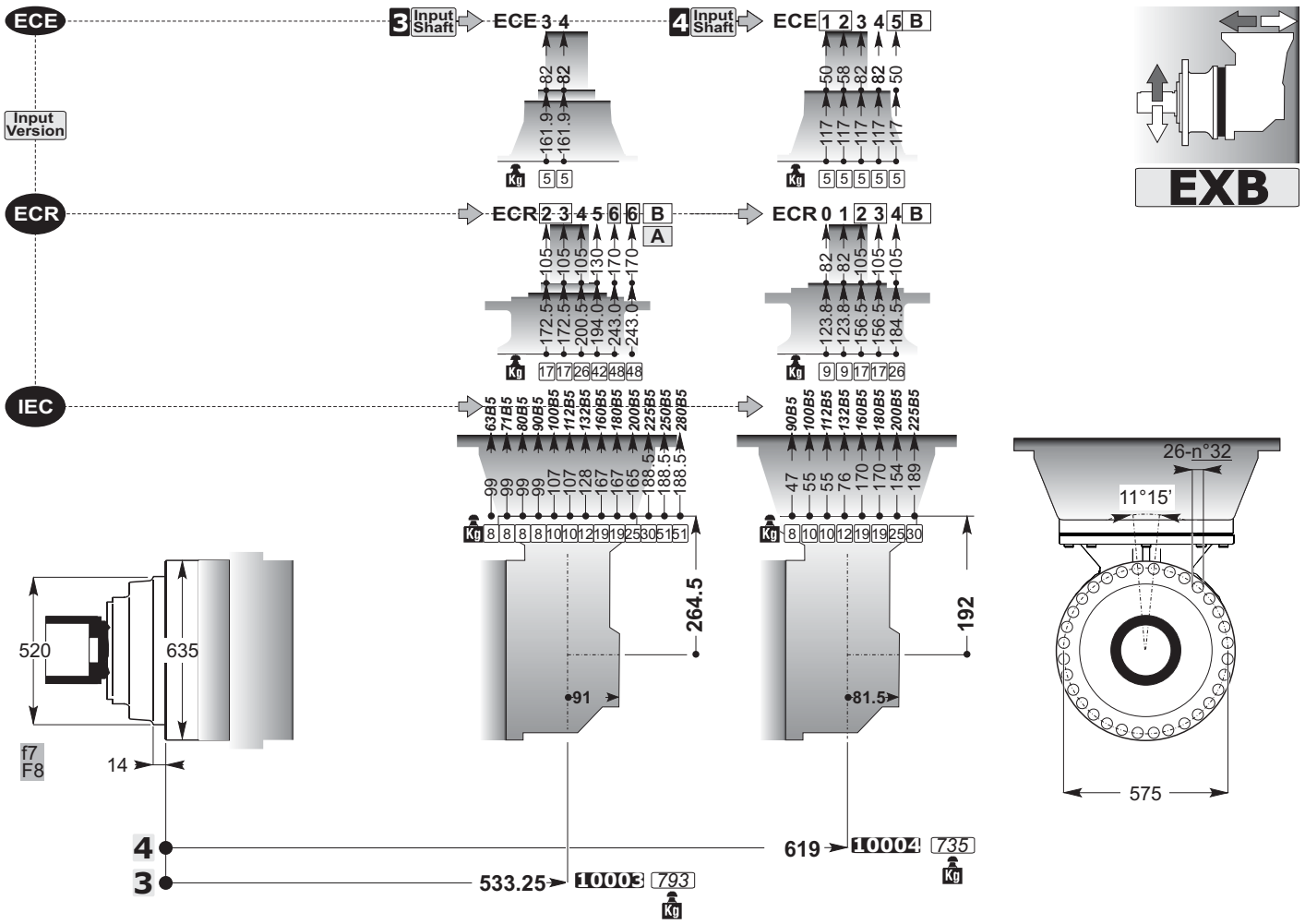




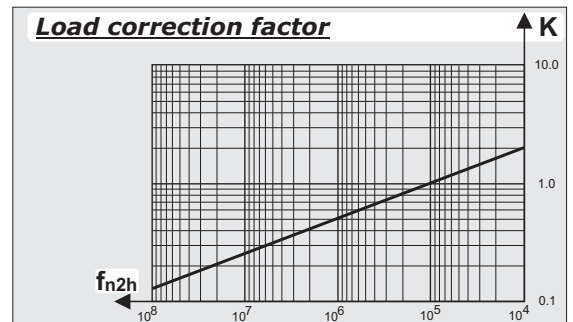
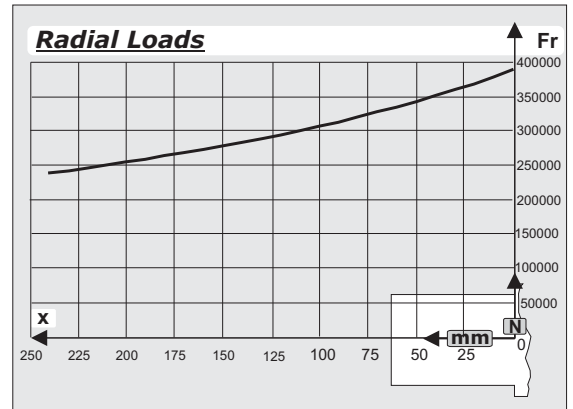
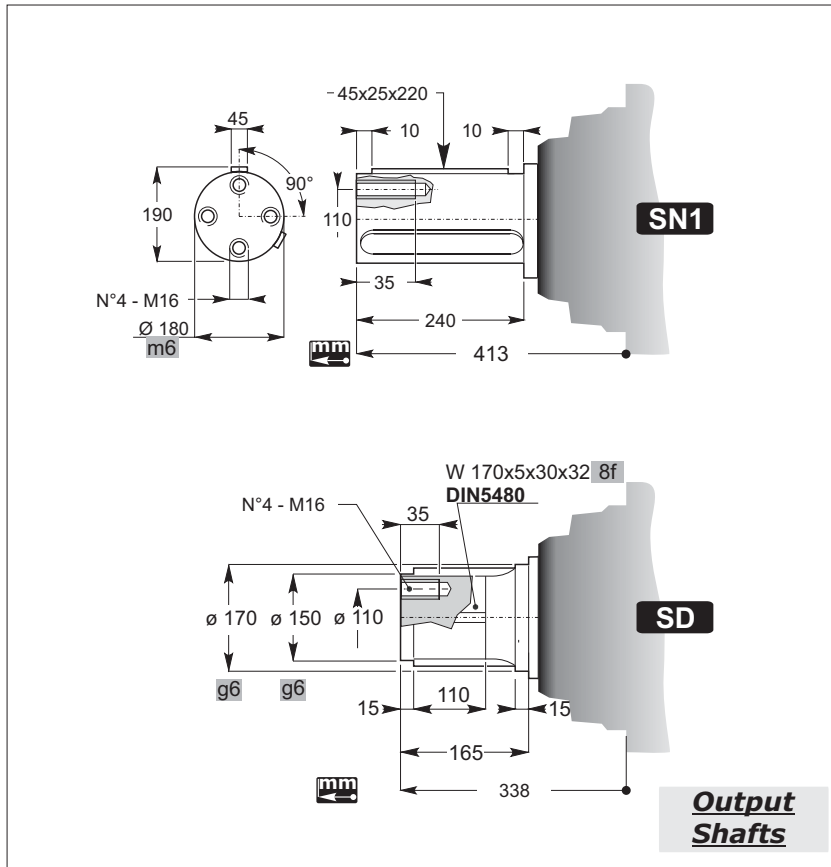
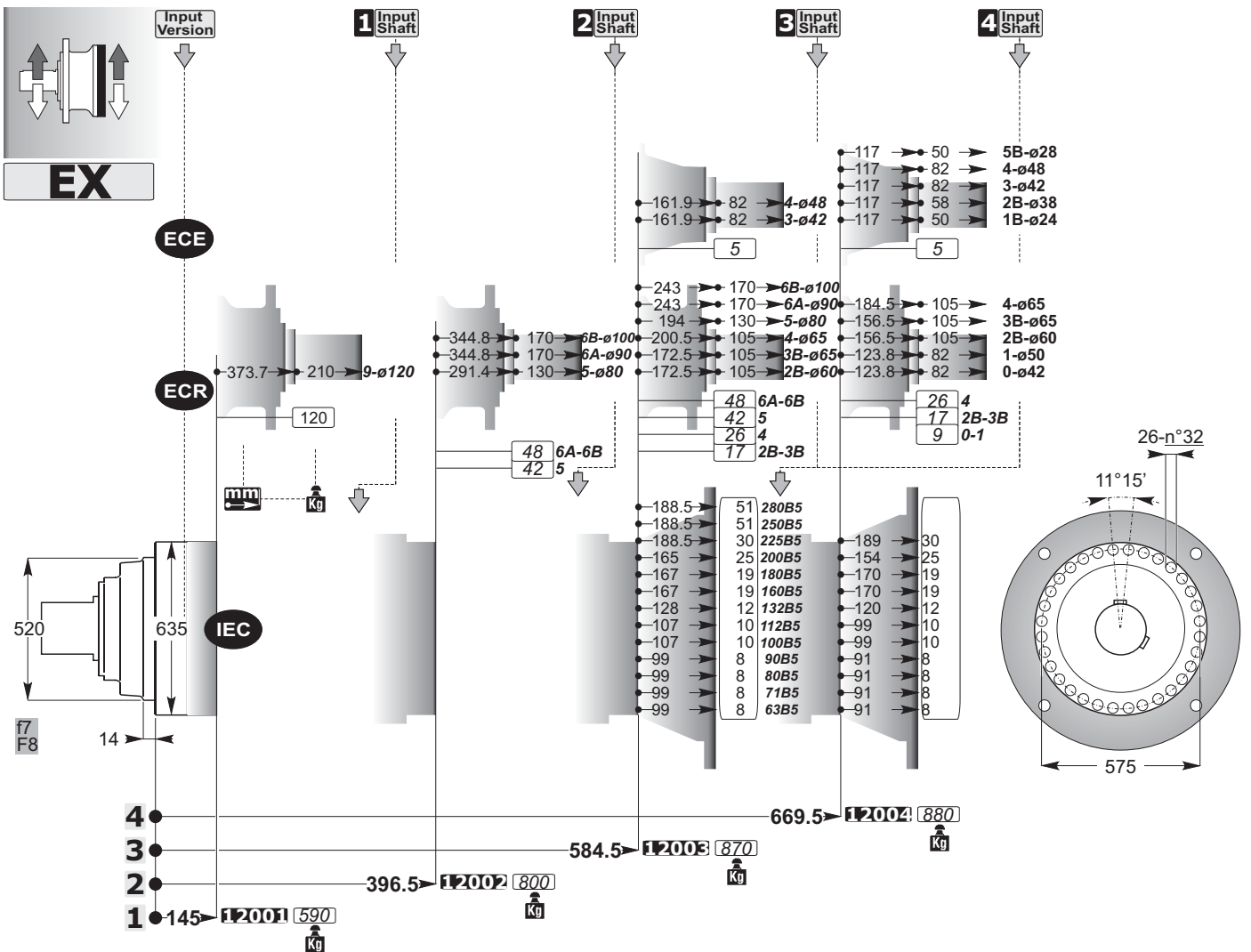
mm
C



Output Shafts



mm
C



ECE

4 Input Shaft → ECE 1 2 3 4 5 B

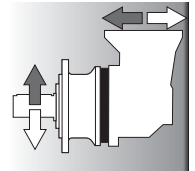
Input Version

ECR

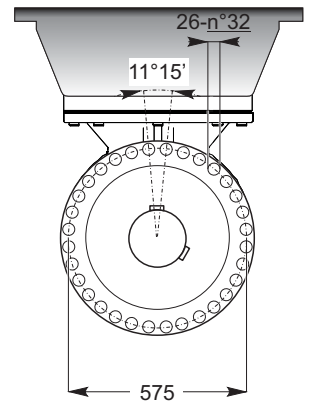
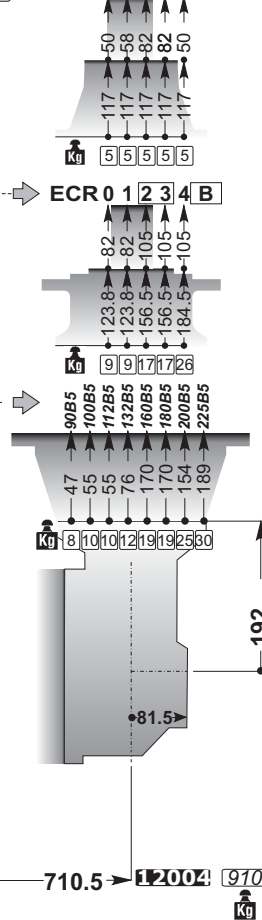
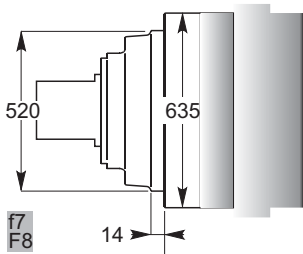
→ ECR 0 1 2 3 4 B

IEC

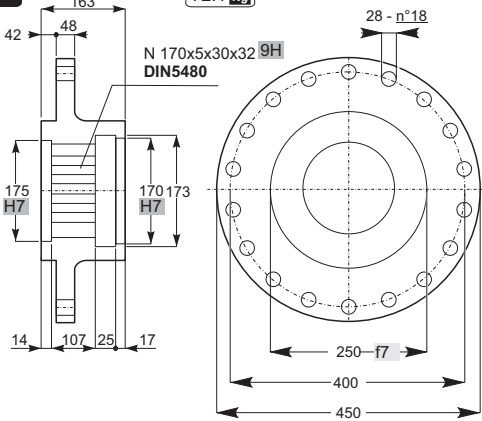
→



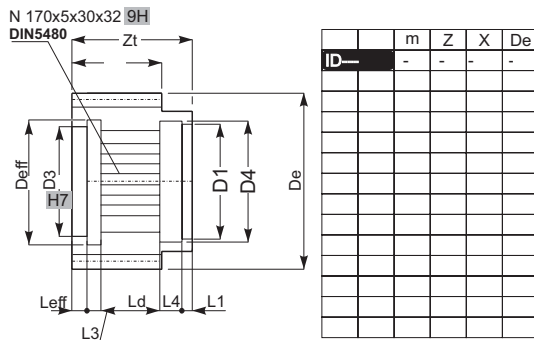
EXB



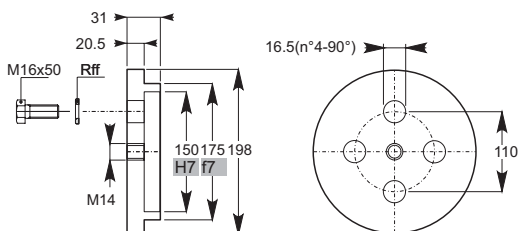
FD



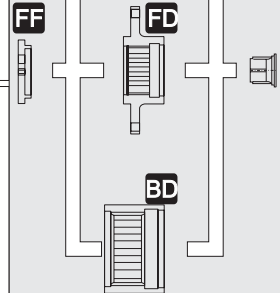
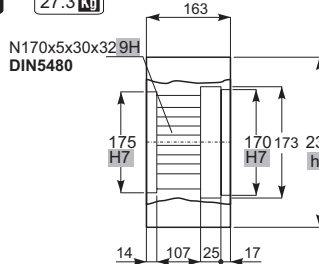
ID



FF

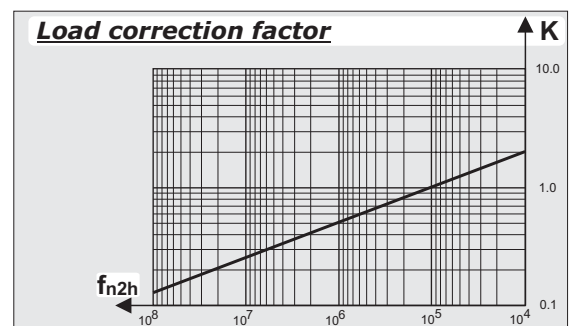
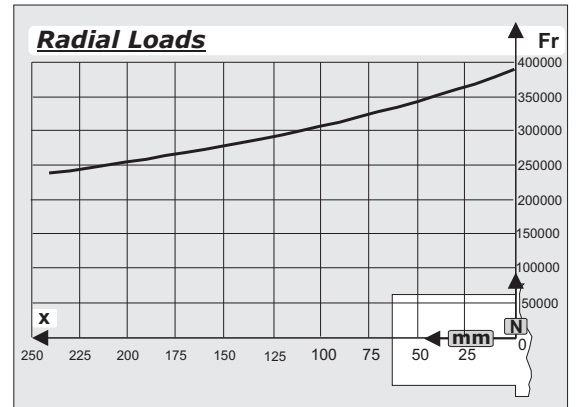
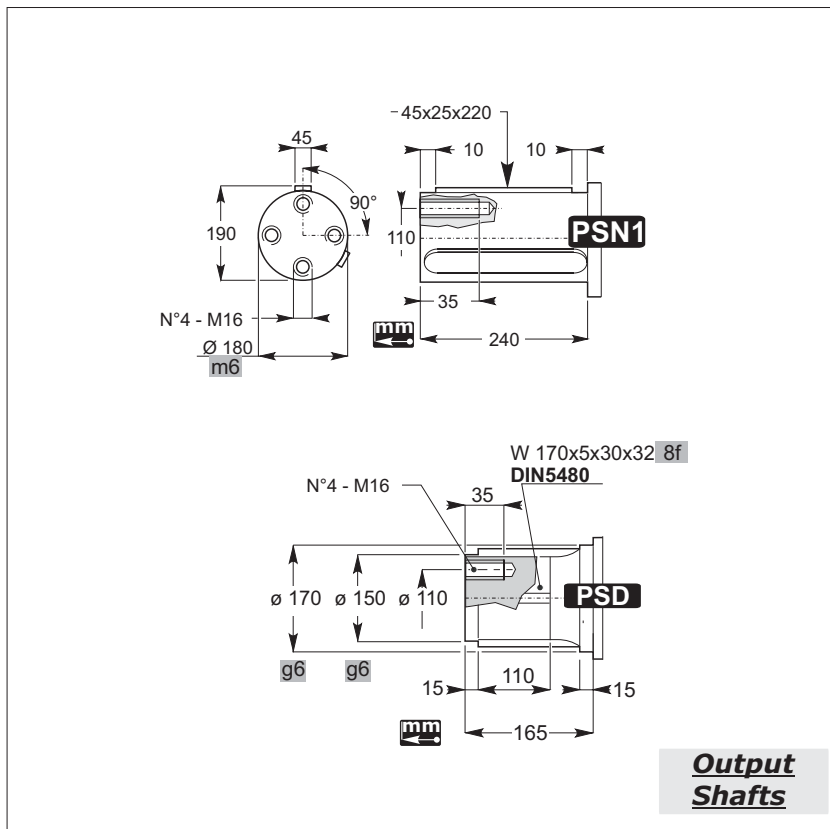
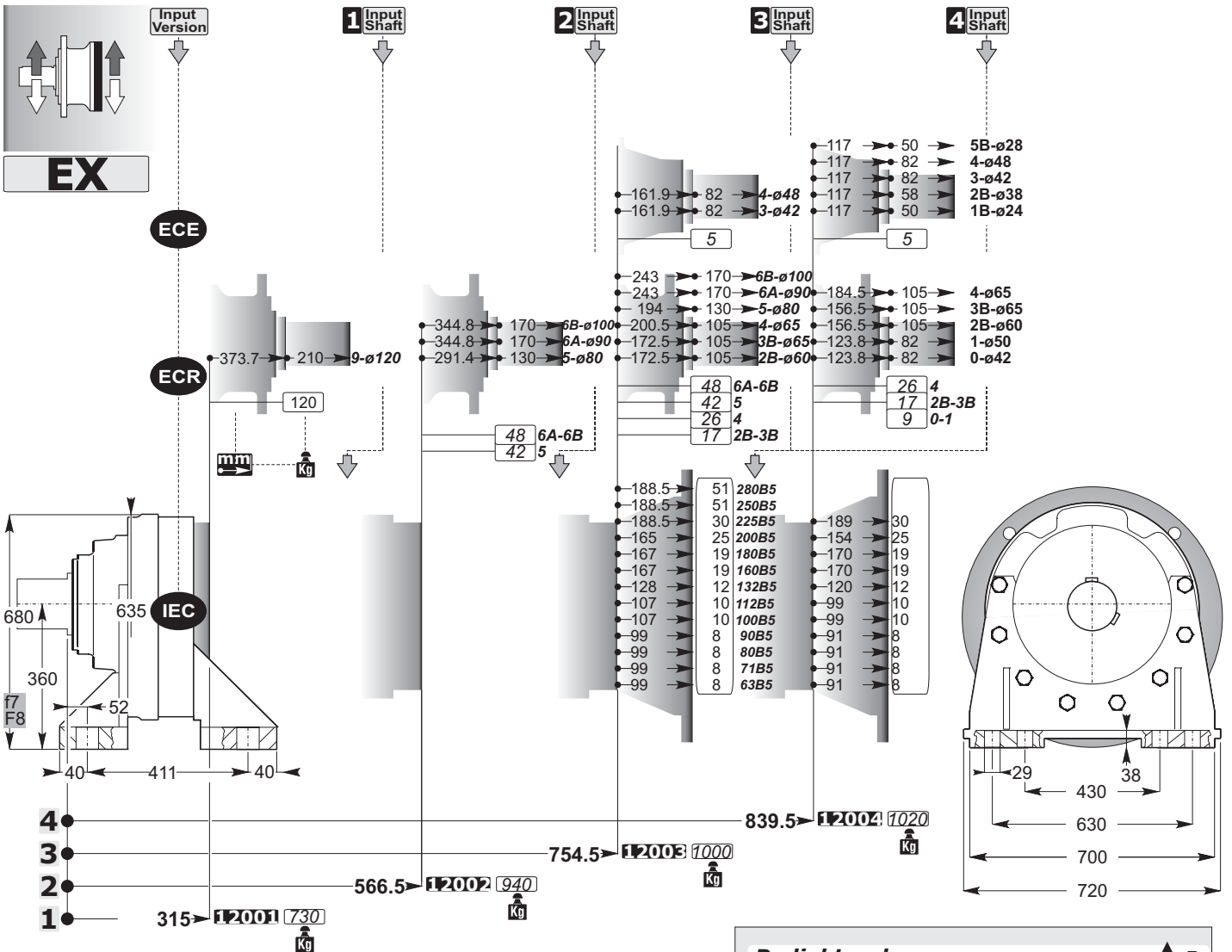


BD



Accessories

mm
C



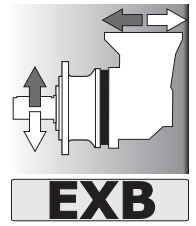
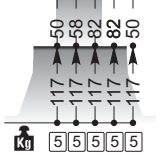
ECE

Input Version

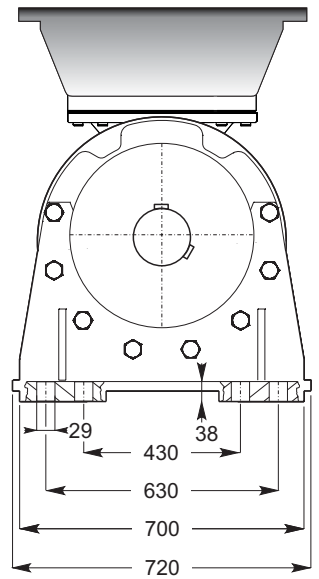
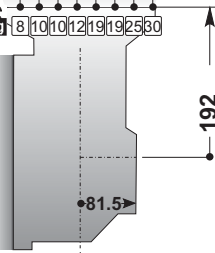
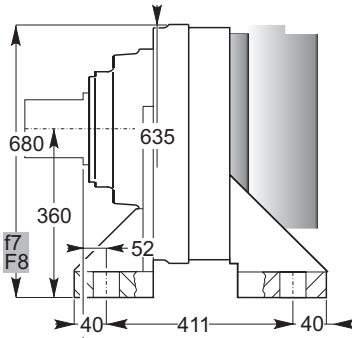
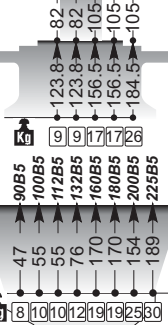
ECR

IEC

4 Input Shaft → ECE 1 2 3 4 5 B

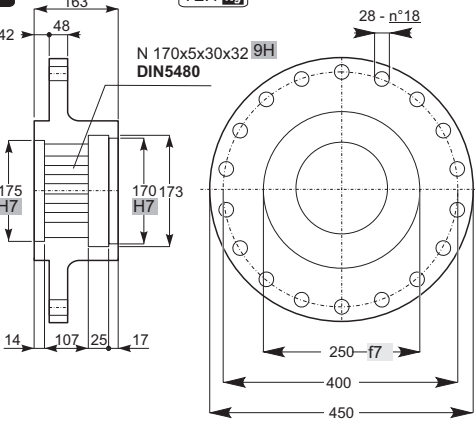


ECR 0 1 2 3 4 B



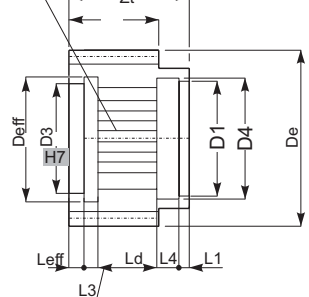
FD

72.1 Kg



ID

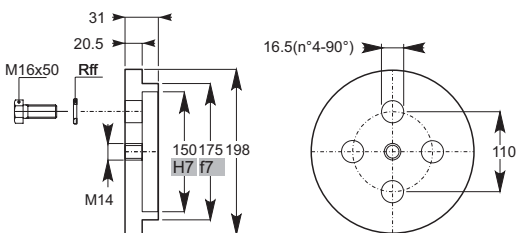
N 170x5x30x32 9H DIN5480



ID	m	Z	X	De

FF

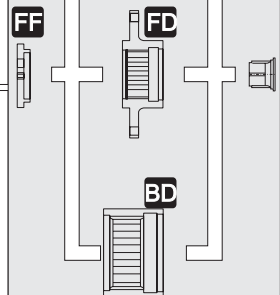
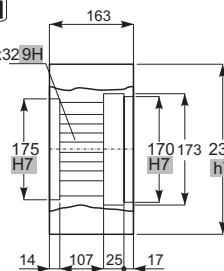
5.3 Kg



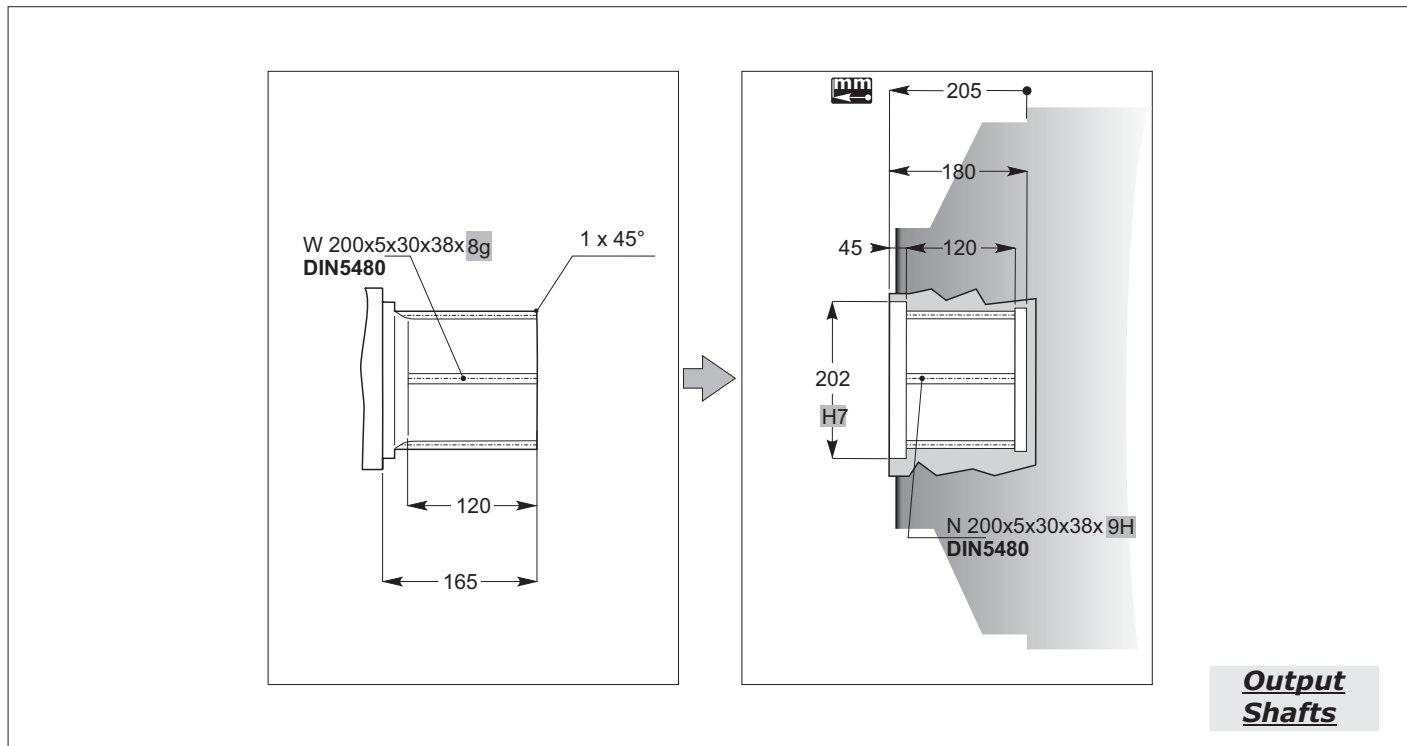
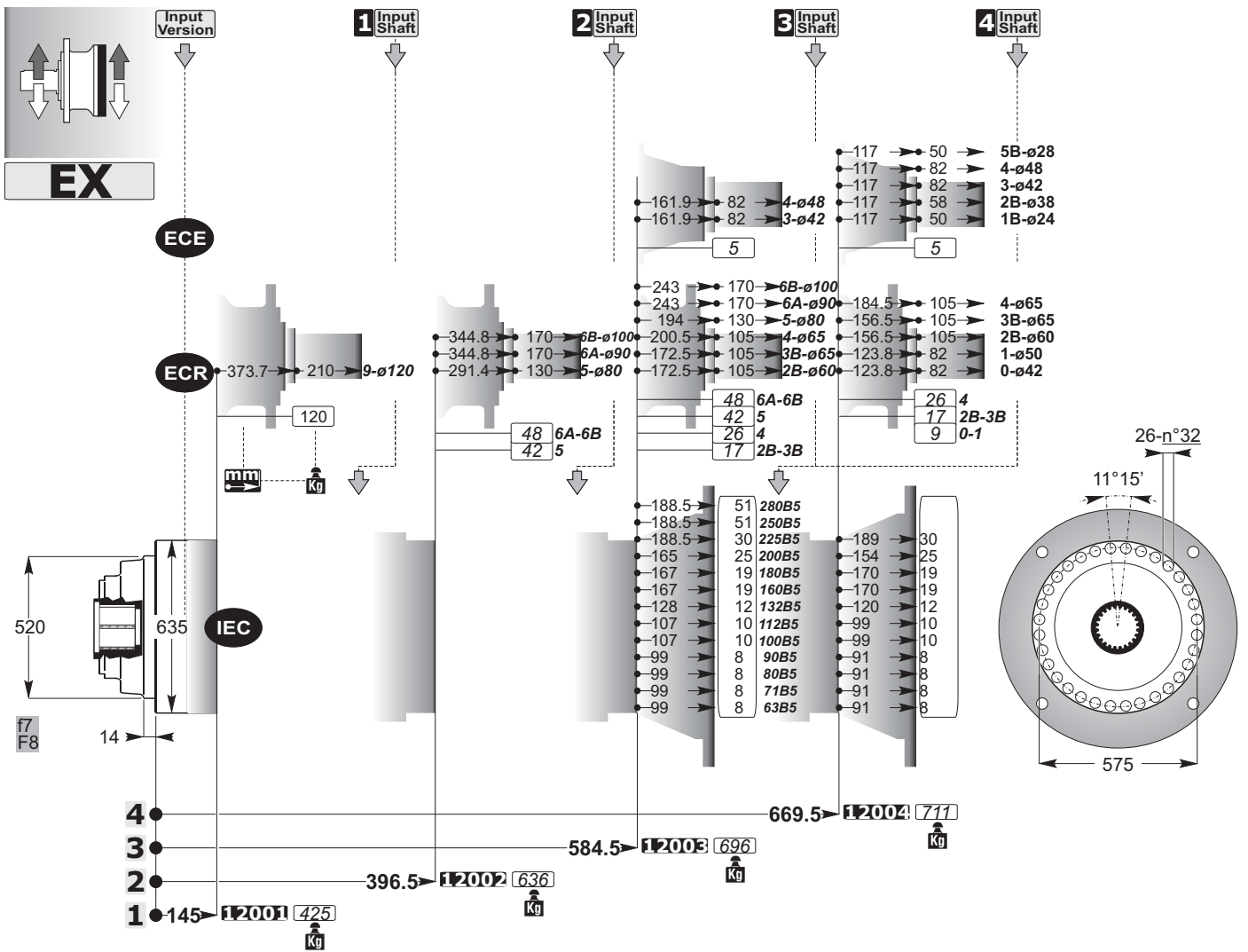
BD

27.3 Kg

N 170x5x30x32 9H DIN5480



Accessories



ECE

4 Input Shaft → ECE 1 2 3 4 5 B

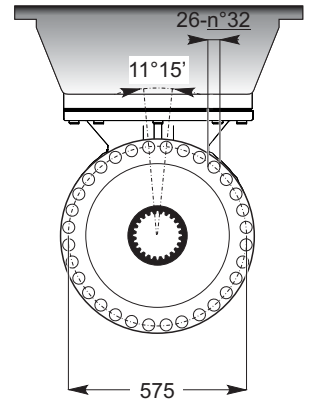
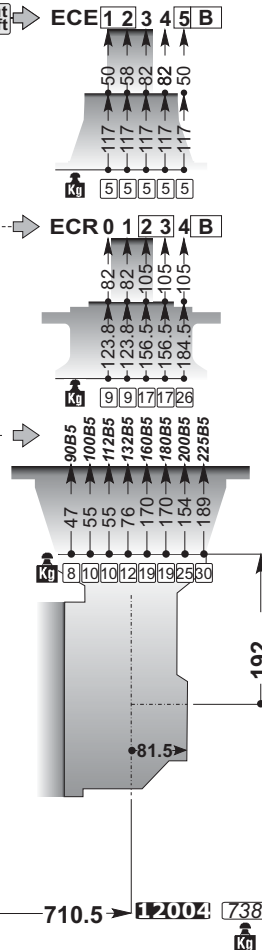
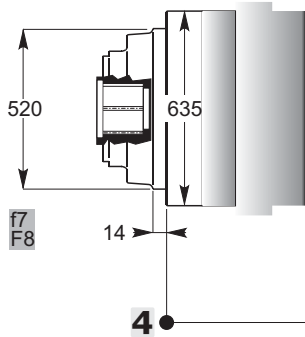
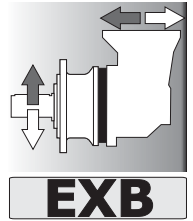
Input Version

ECR

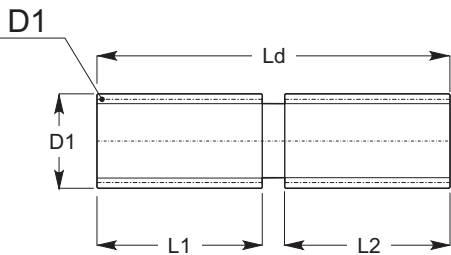
→ ECR 0 1 2 3 4 B

IEC

→



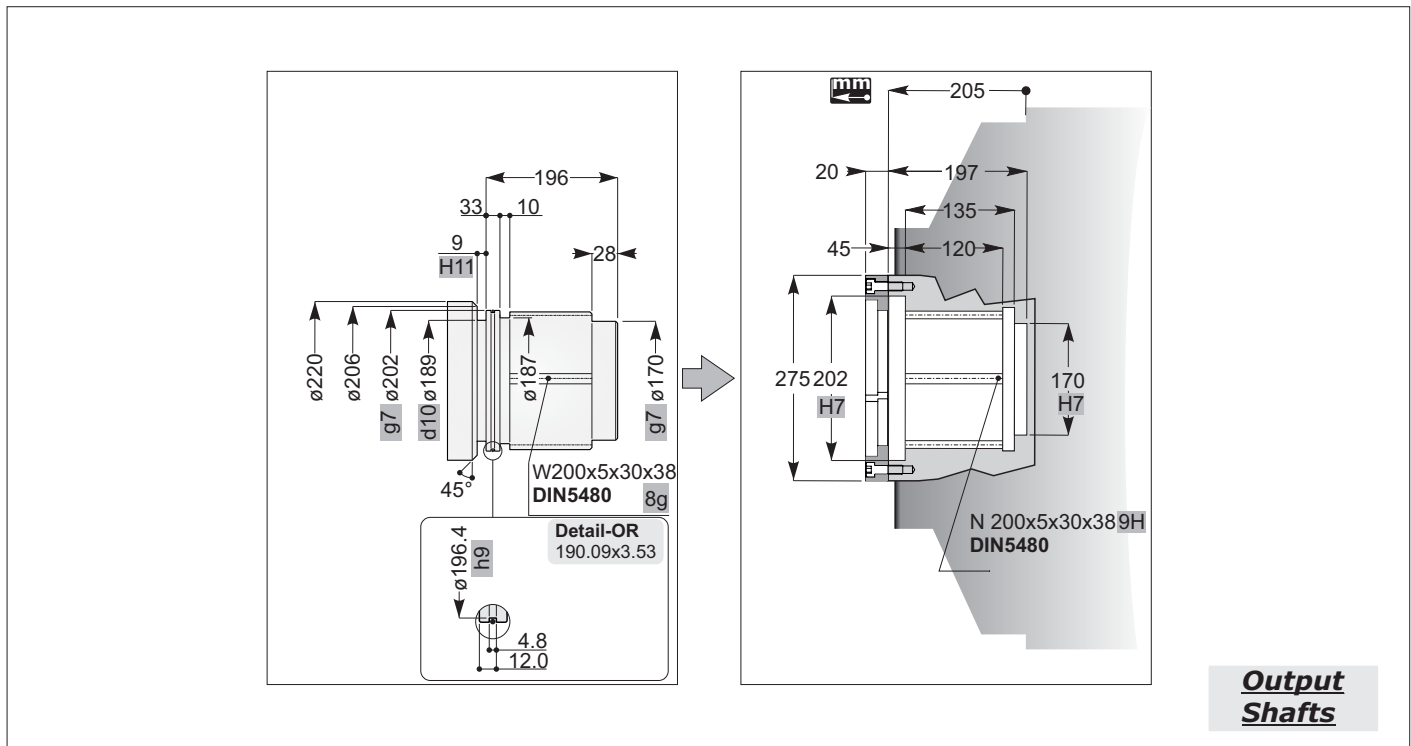
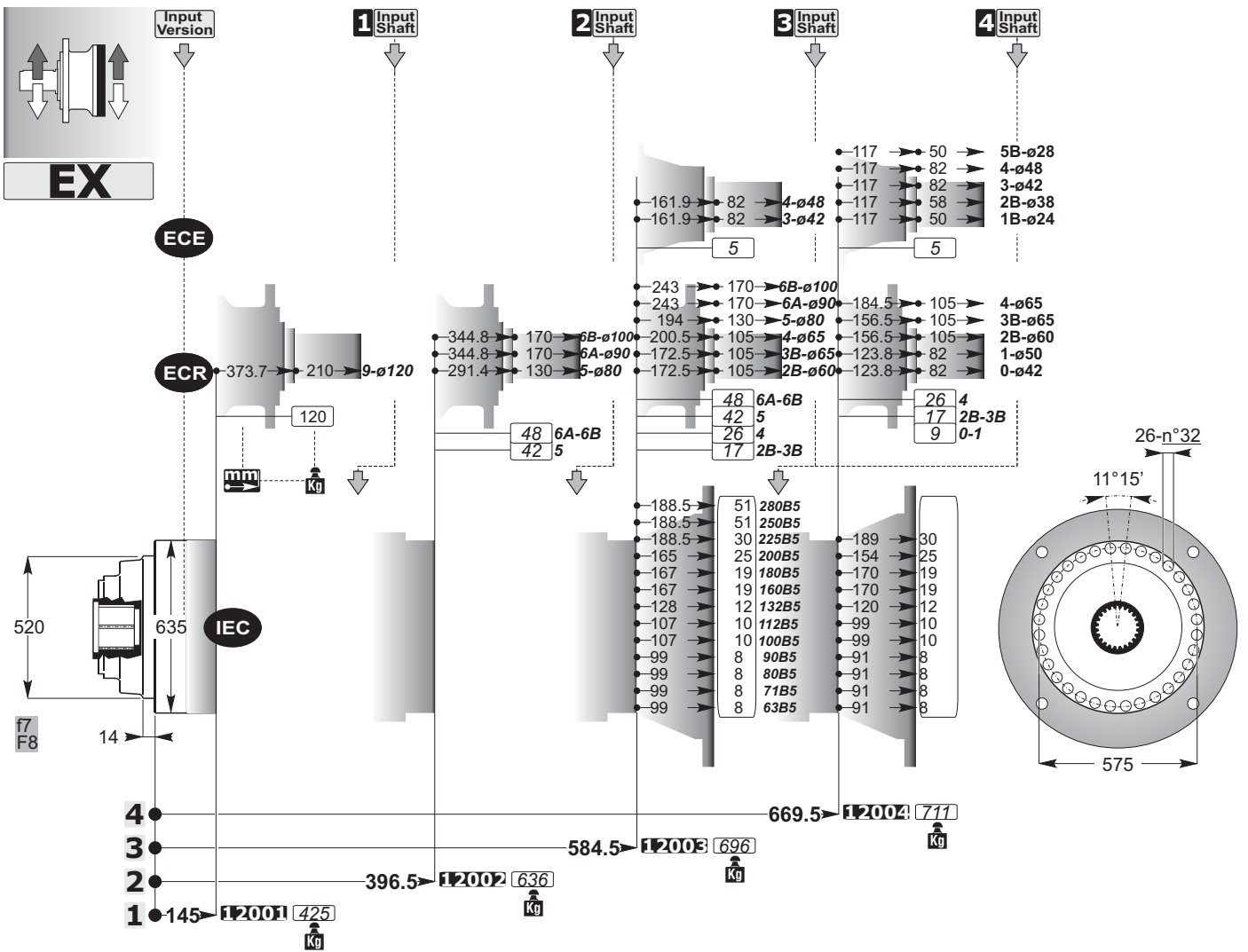
SD



SD

Accessories

mm
C



ECE

4 Input Shaft → ECE 1 2 3 4 5 B

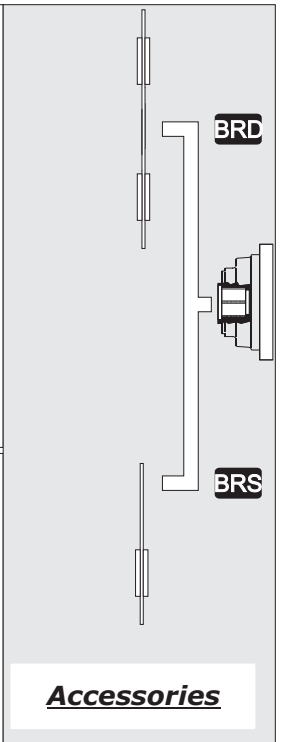
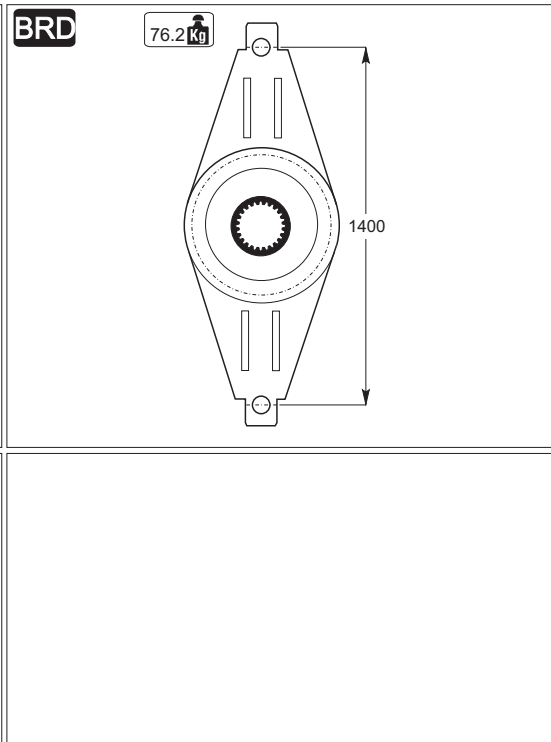
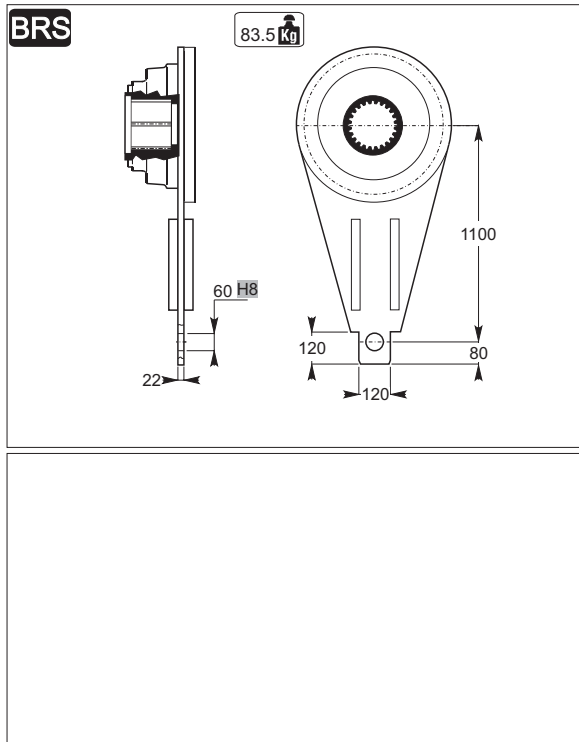
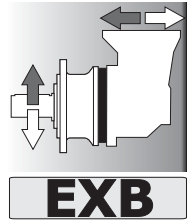
Input Version

ECR

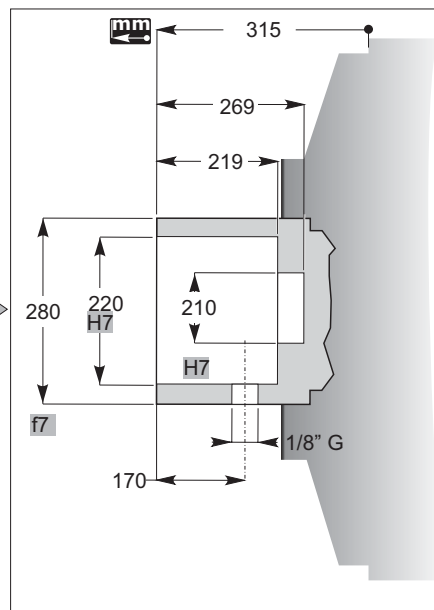
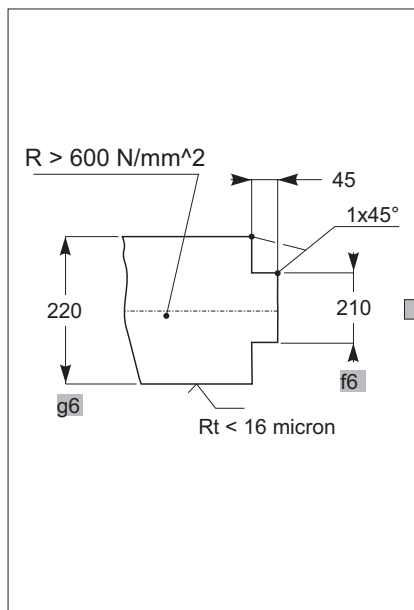
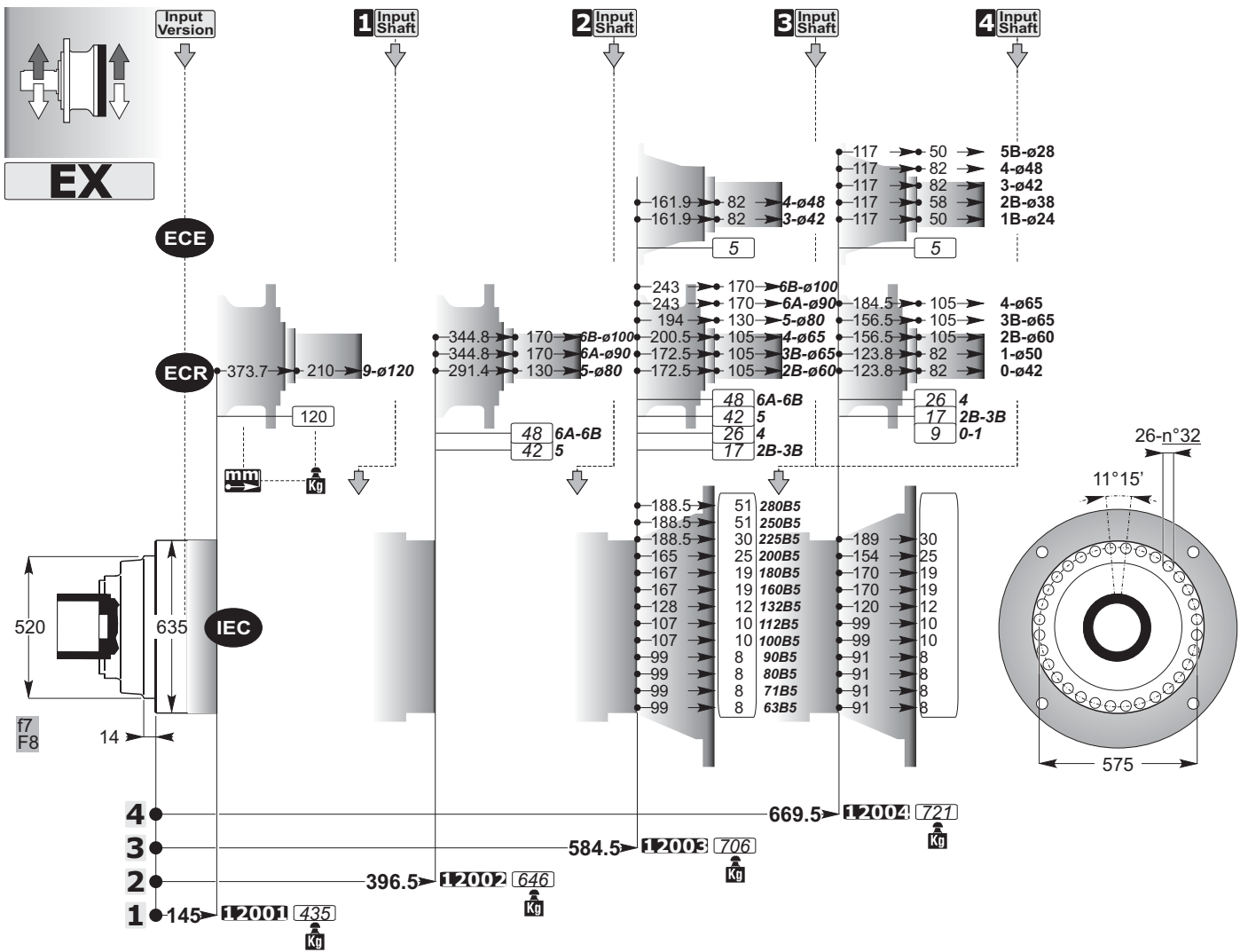
→ ECR 0 1 2 3 4 B

IEC

→



mm
C



Output Shafts

ECE

4 Input Shaft → ECE 1 2 3 4 5 B

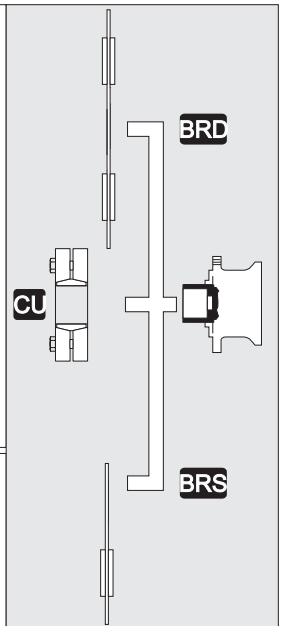
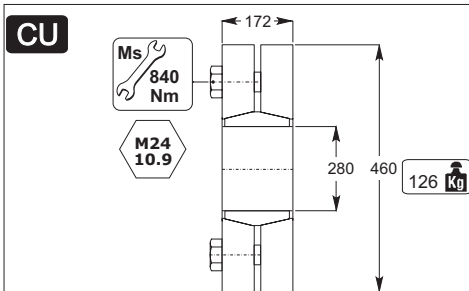
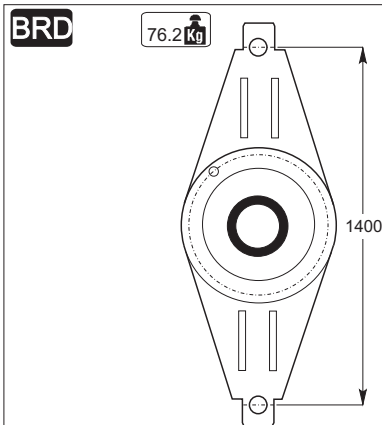
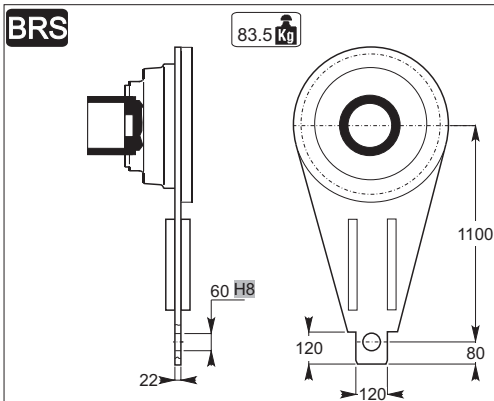
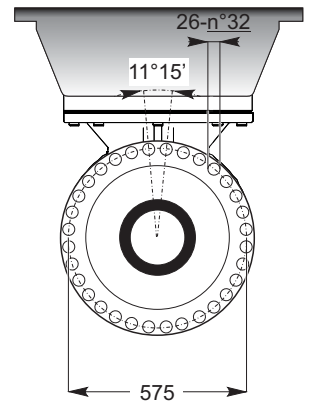
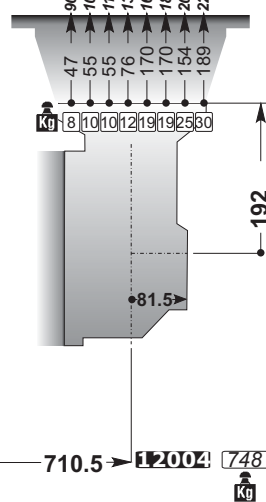
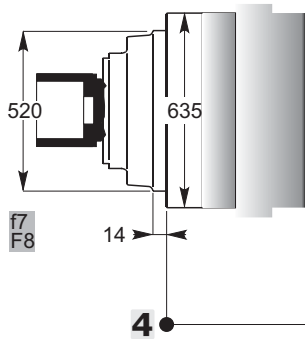
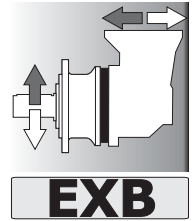
Input Version

ECR

→ ECR 0 1 2 3 4 B

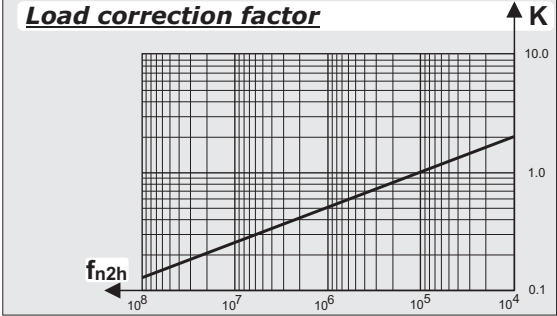
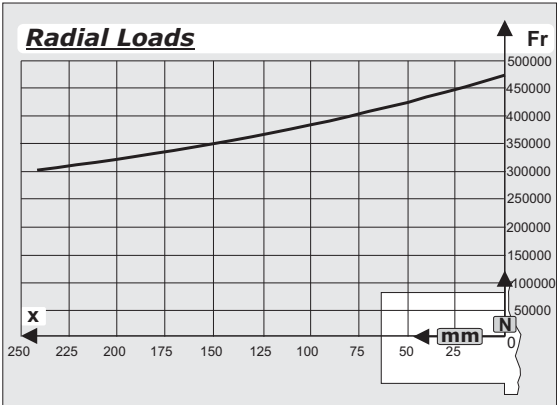
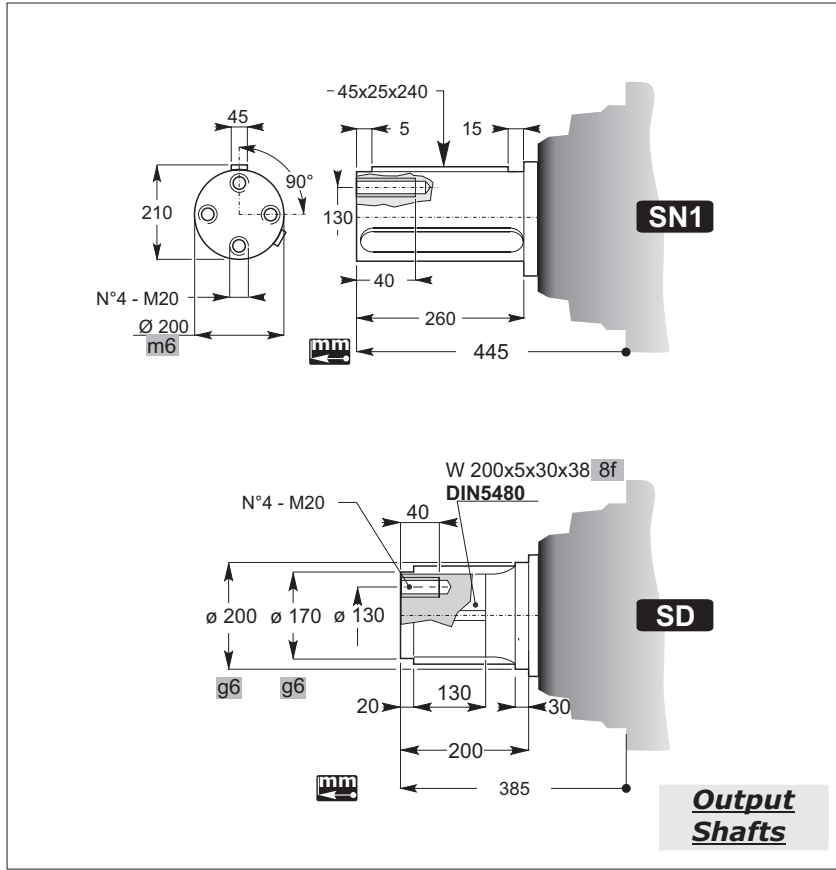
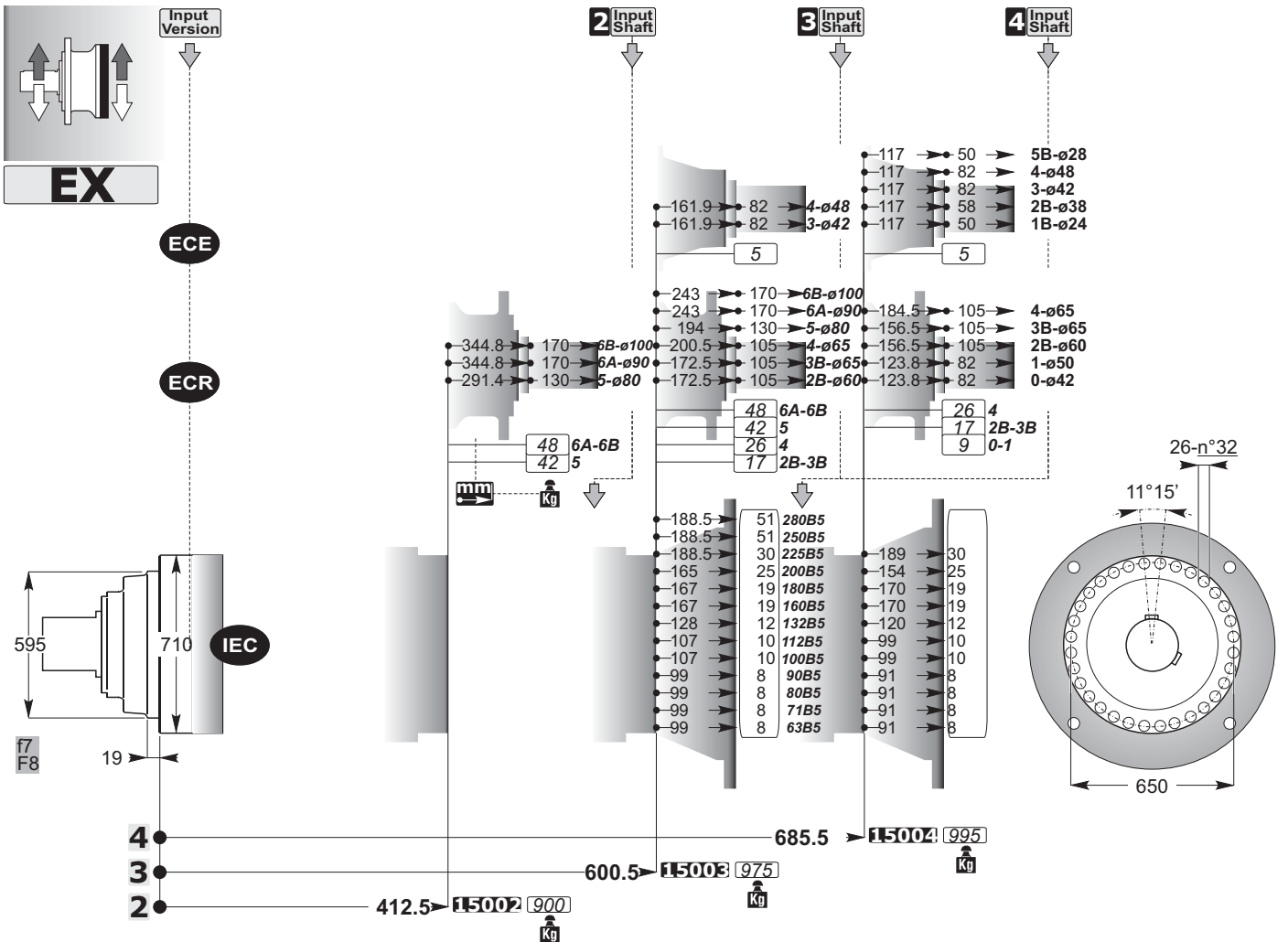
IEC

→



Accessories

mm
C



ECE

4 Input Shaft → ECE 1 2 3 4 5 B

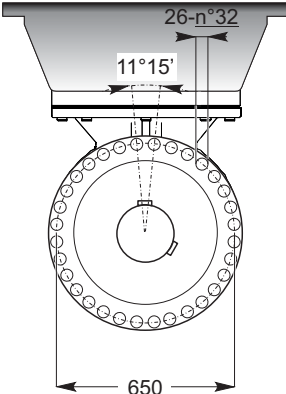
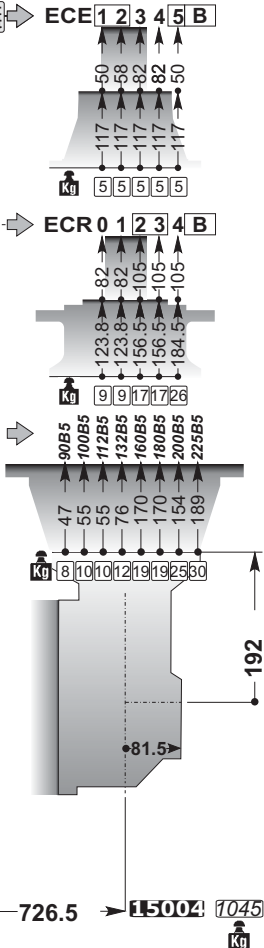
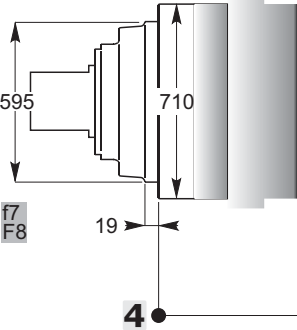
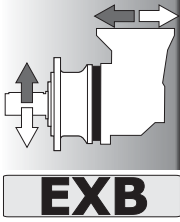
Input Version

ECR

→ ECR 0 1 2 3 4 B

IEC

→



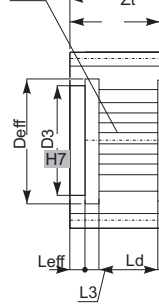
4 ●

→ 15004 1045

kg

ID

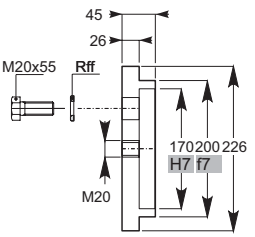
N 200x5x30x38 9H
DIN5480



ID	m	Z	X	De

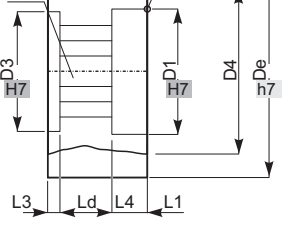
On request

FF



BD

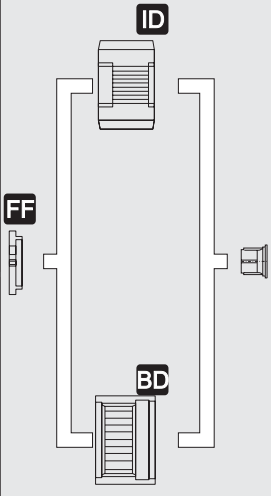
N 200x5x30x38 9H
DIN5480



On request

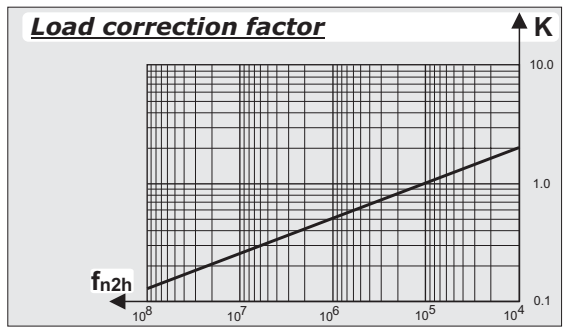
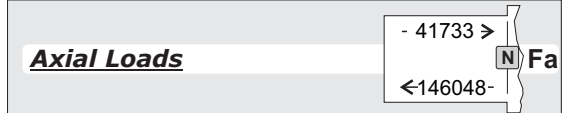
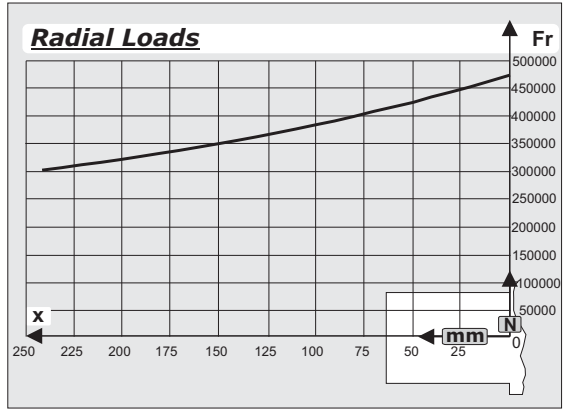
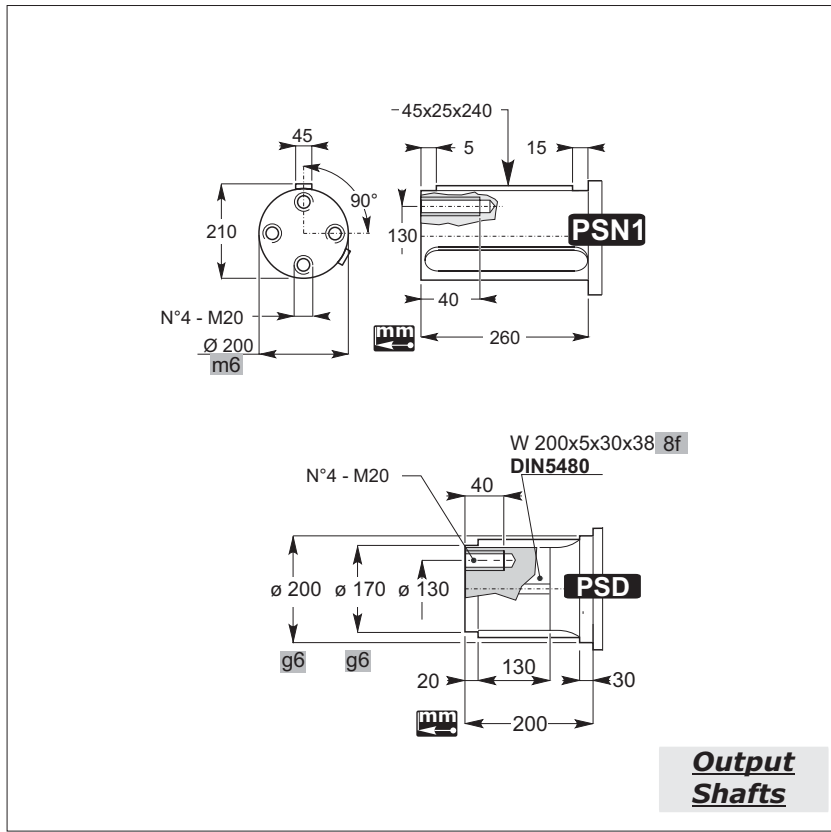
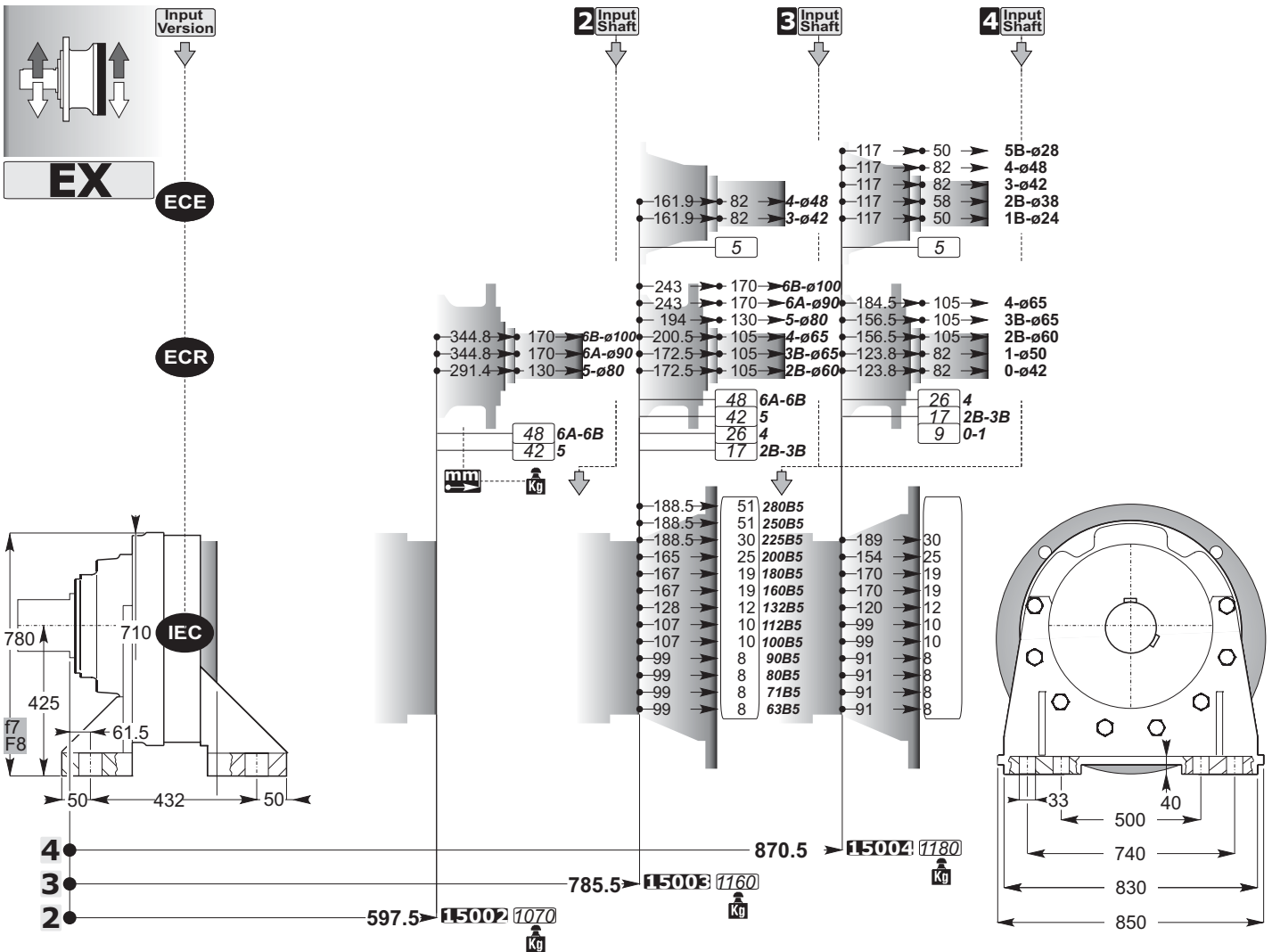
FF

BD



Accessories

mm
C



ECE

4 Input Shaft → **ECE 1 2 3 4 5 B**

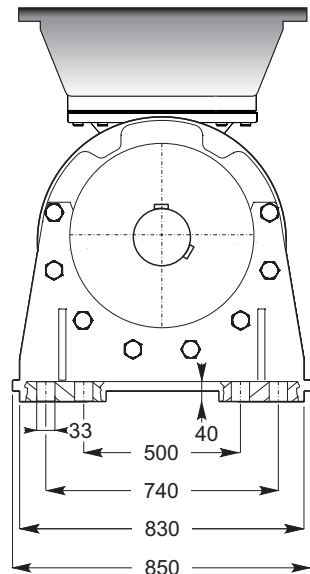
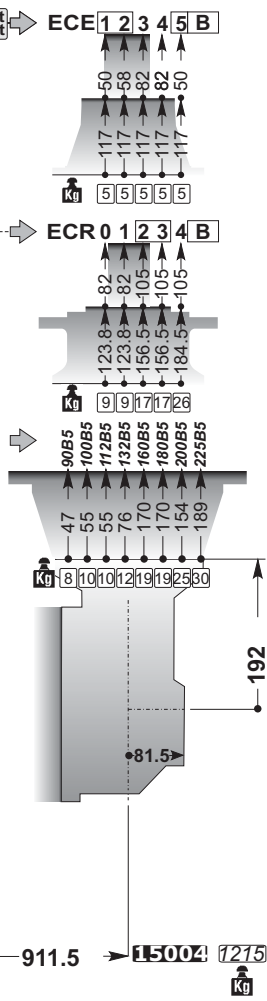
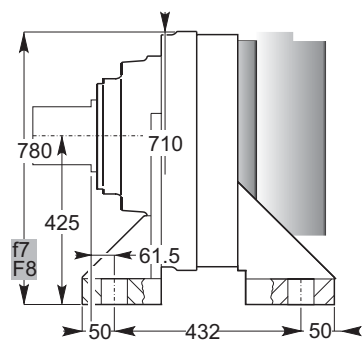
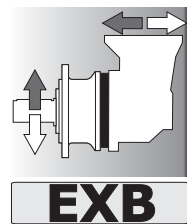
Input Version

ECR

→ **ECR 0 1 2 3 4 B**

IEC

→



4

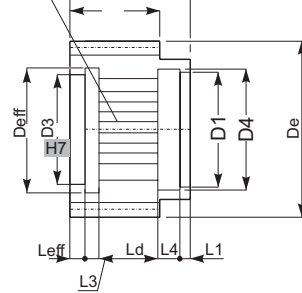
911.5

115002 7275

kg

ID

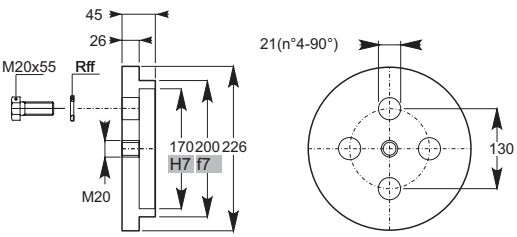
N 200x5x30x38 ^{9H}
DIN5480



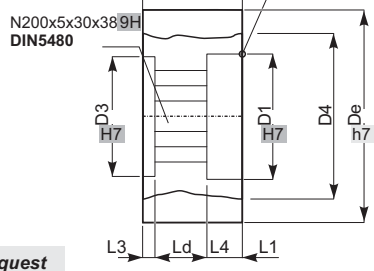
ID	m	Z	X	De

On request

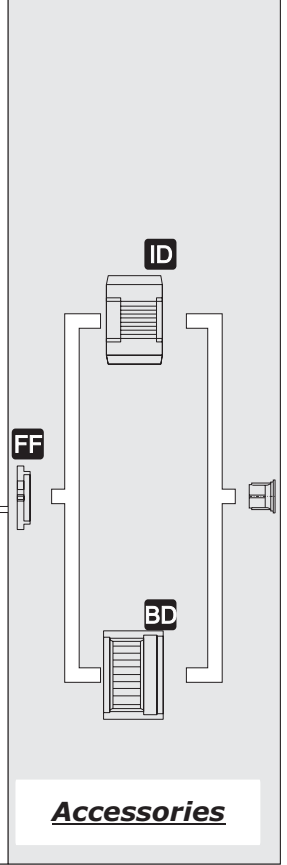
FF



BD

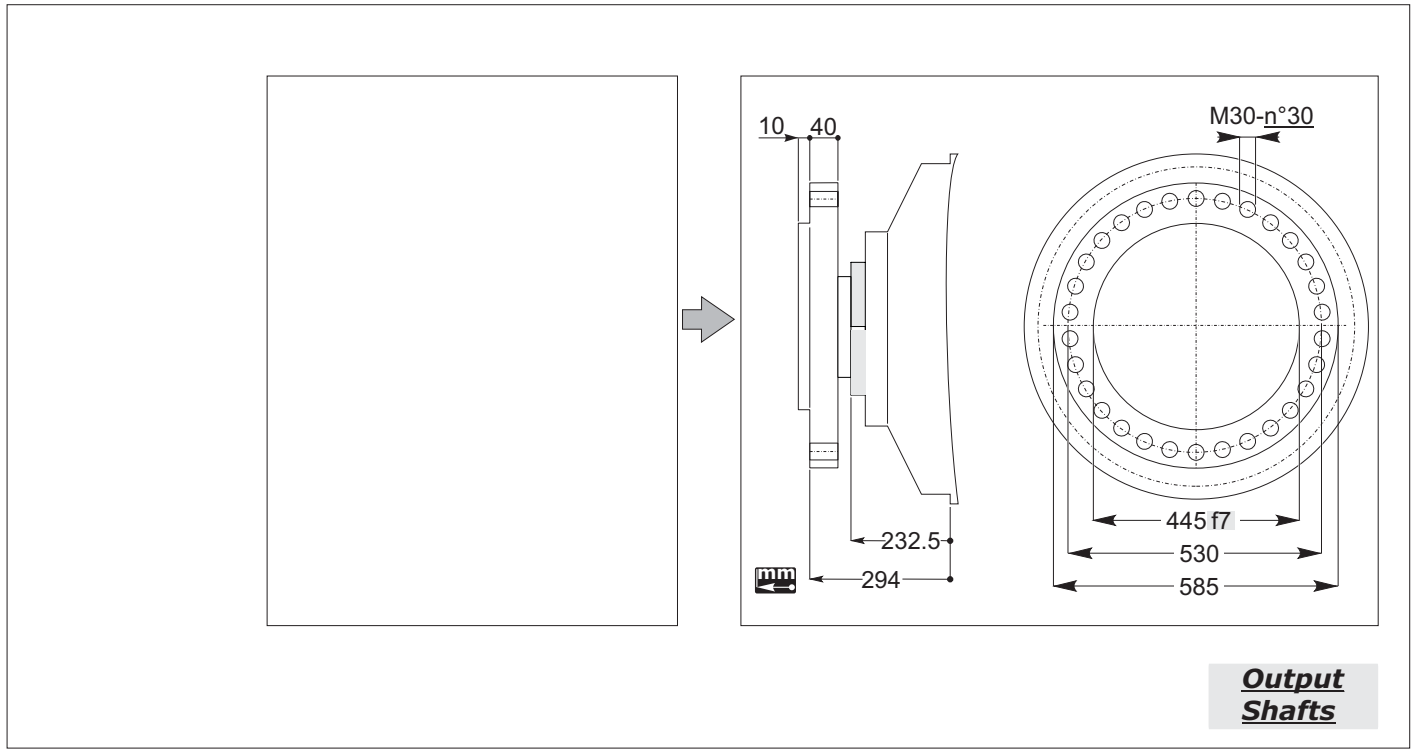
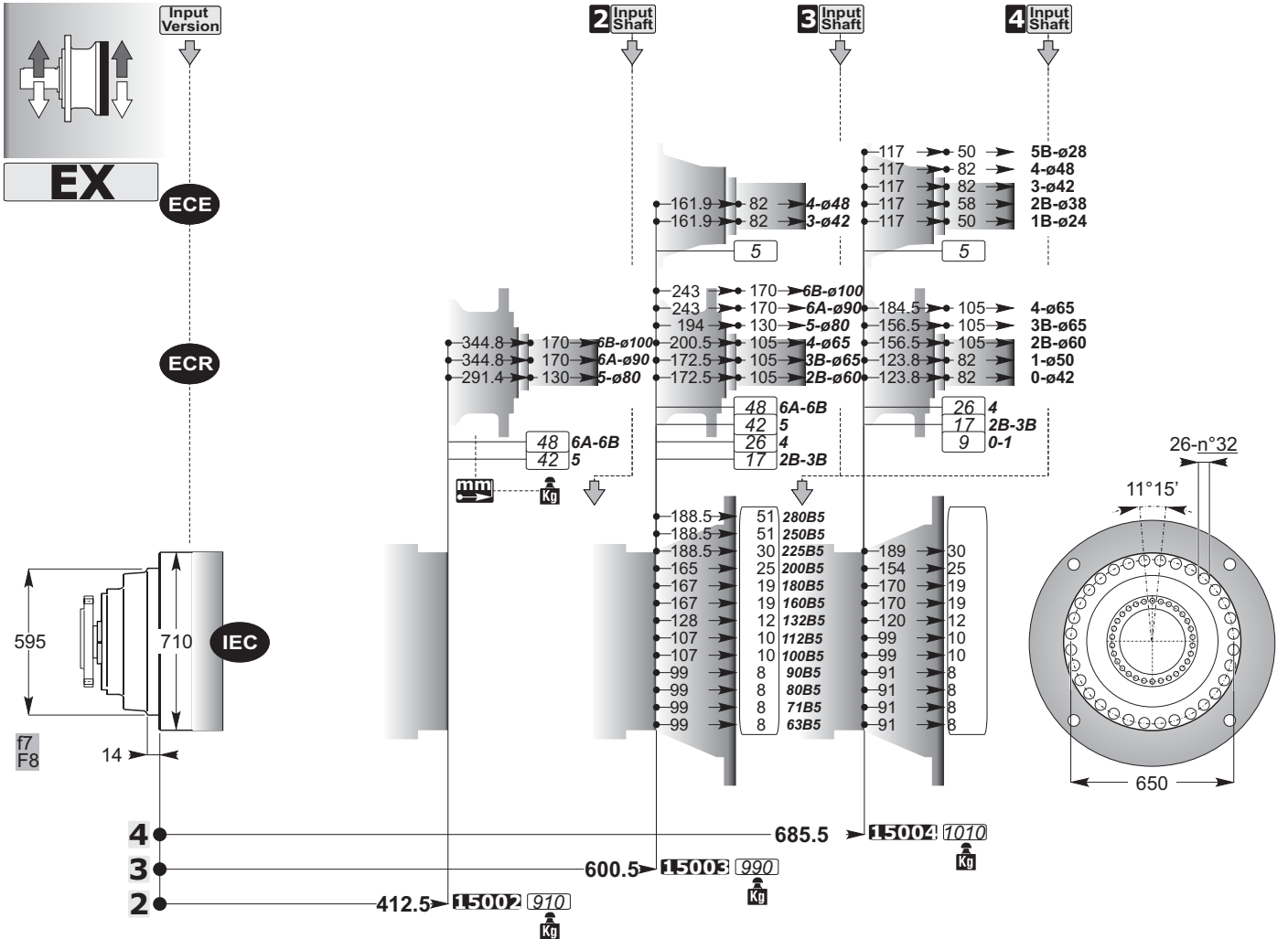


On request



Accessories

mm
C



ECE

4 Input Shaft → ECE 1 2 3 4 5 B

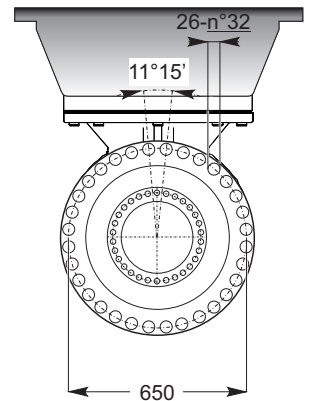
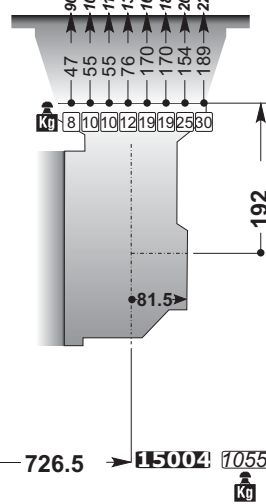
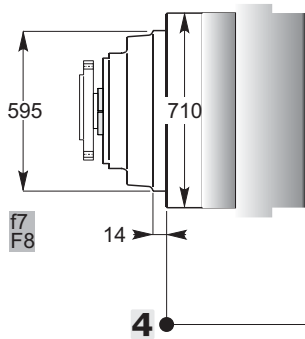
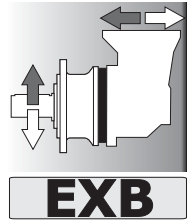
Input Version

ECR

→ ECR 0 1 2 3 4 B

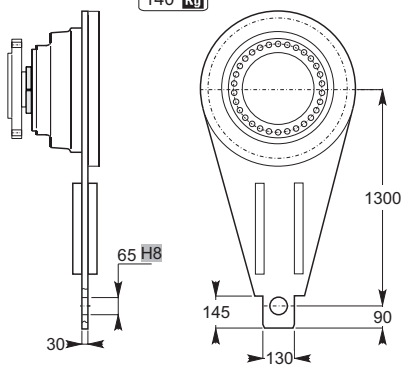
IEC

→



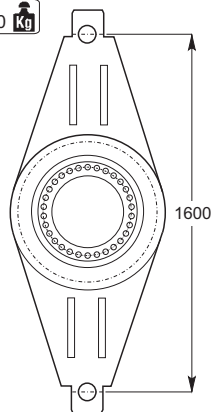
BRS

140 Kg



BRD

120 Kg

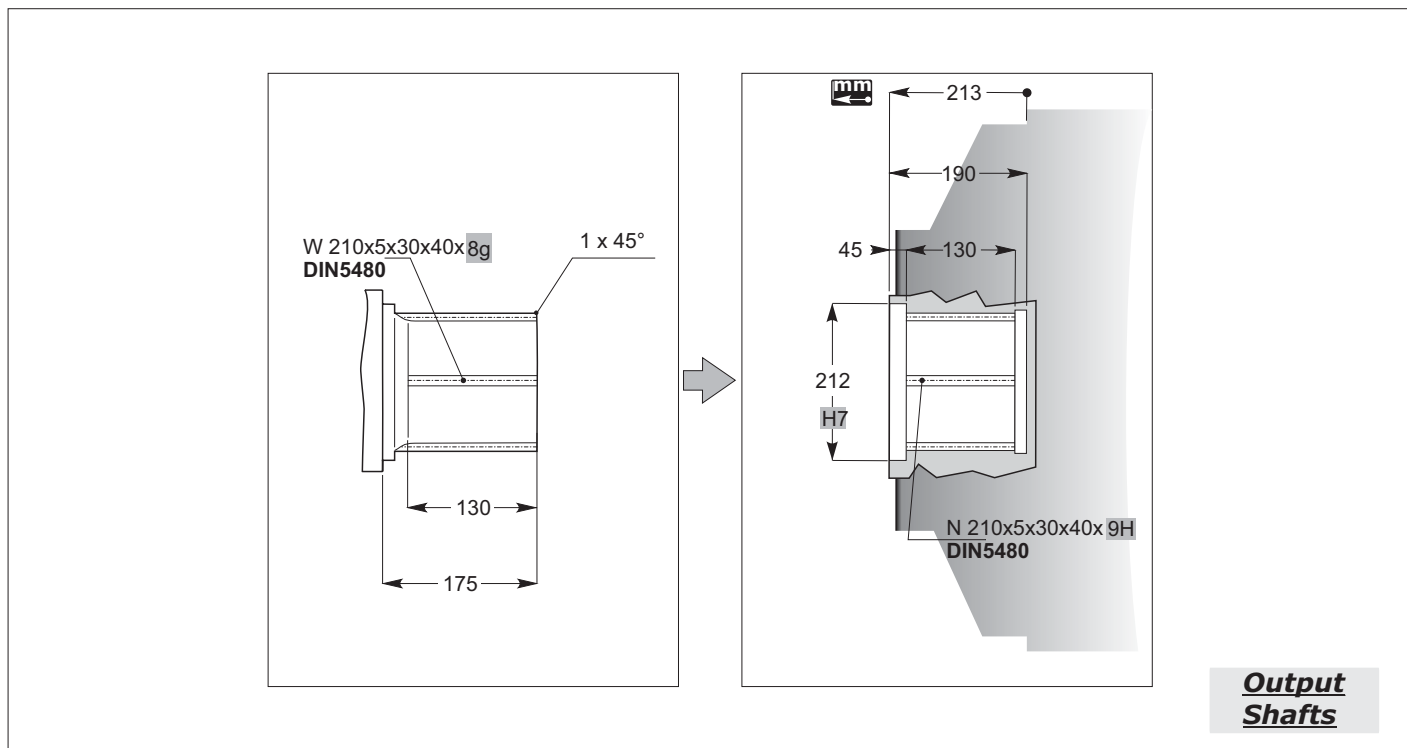
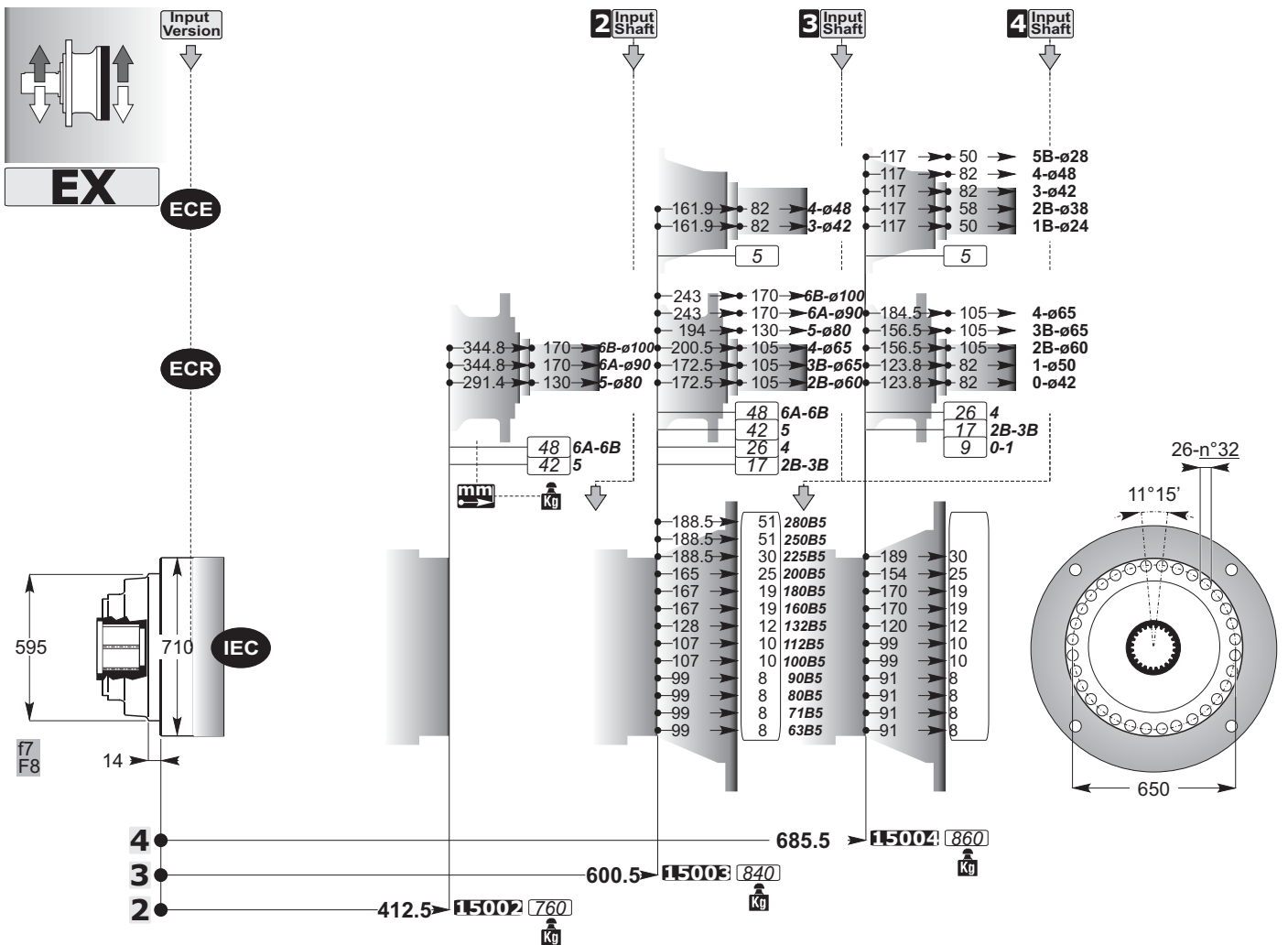


mm
C

BRD

BRS

Accessories



ECE

4 Input Shaft → **ECE 1 2 3 4 5 B**

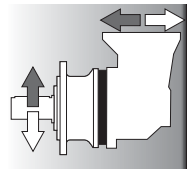
Input Version

ECR

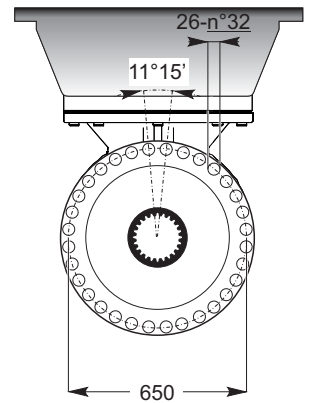
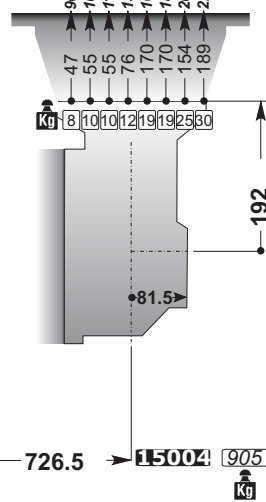
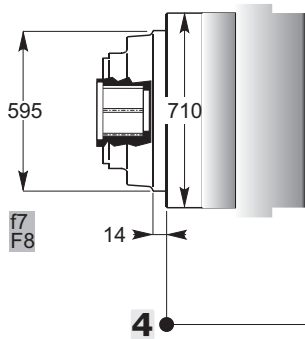
→ **ECR 0 1 2 3 4 B**

IEC

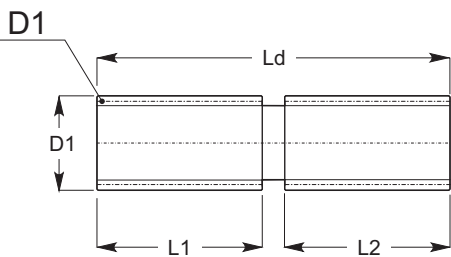
→



EXB



SD



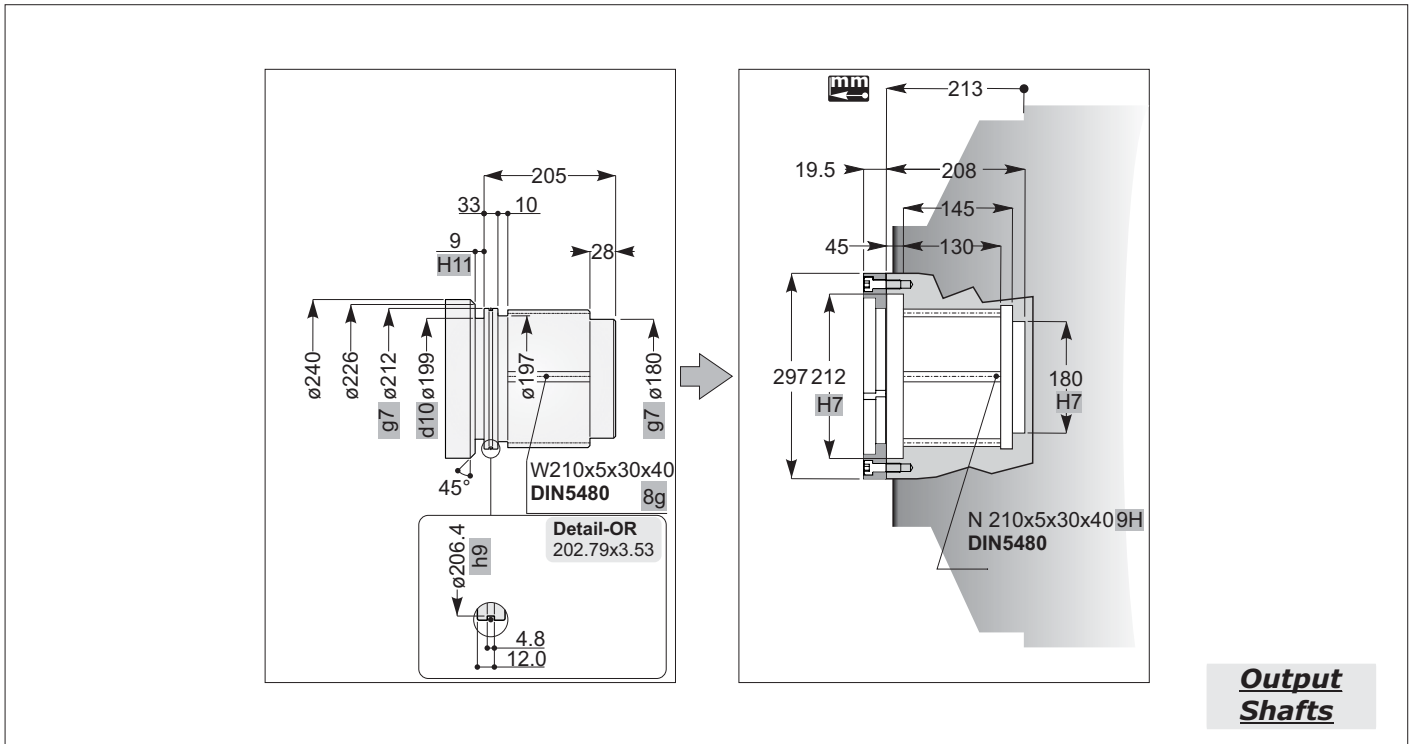
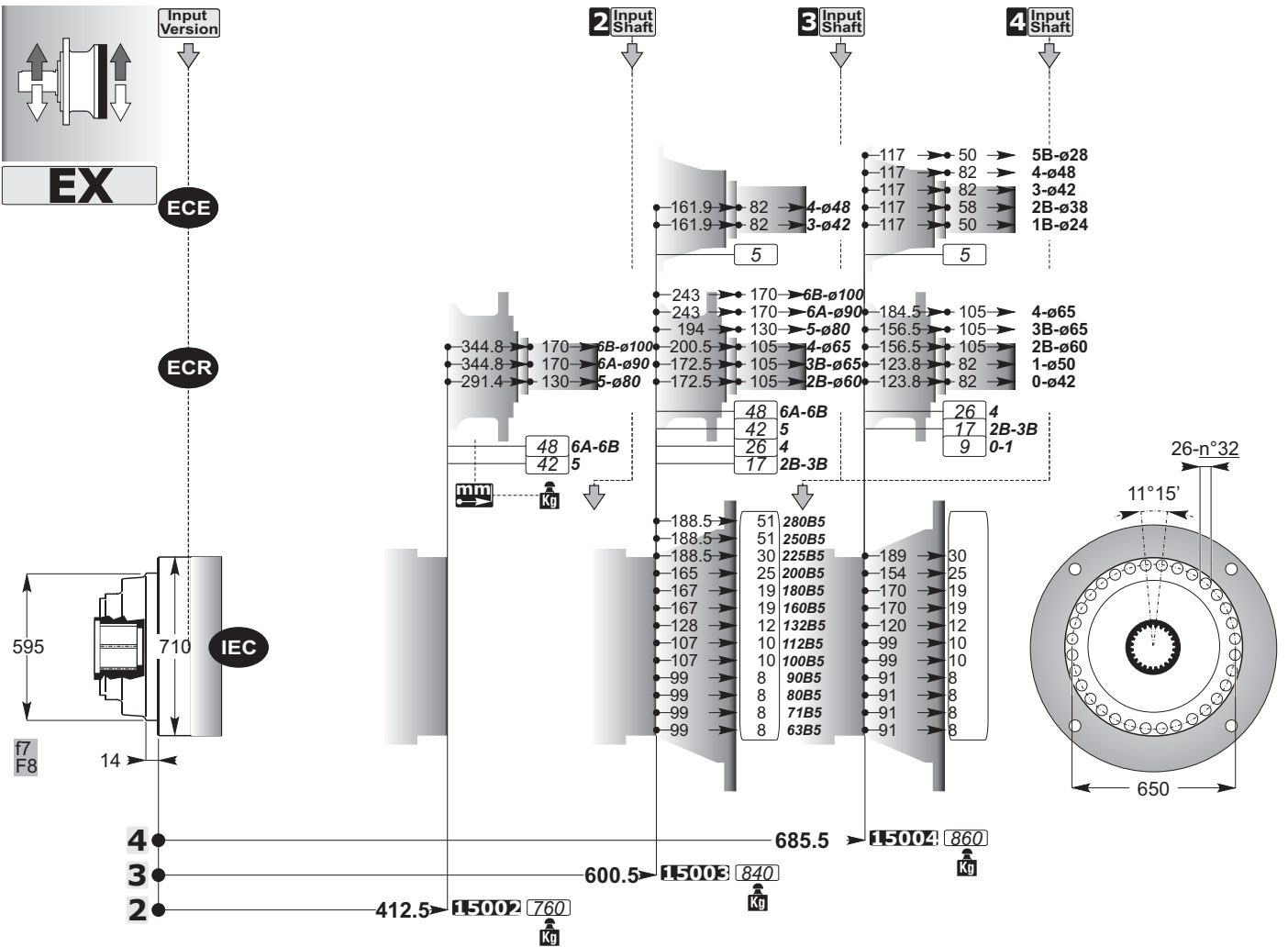
On request

SD



Accessories

mm
C



ECE

4 Input Shaft → **ECE 1 2 3 4 5 B**

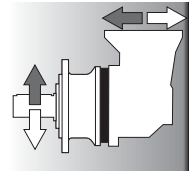
Input Version

ECR

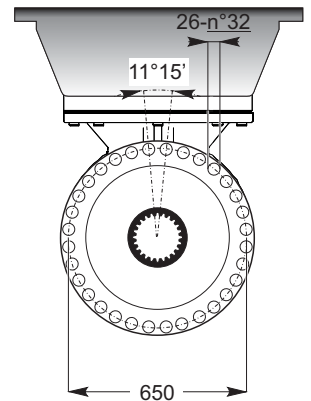
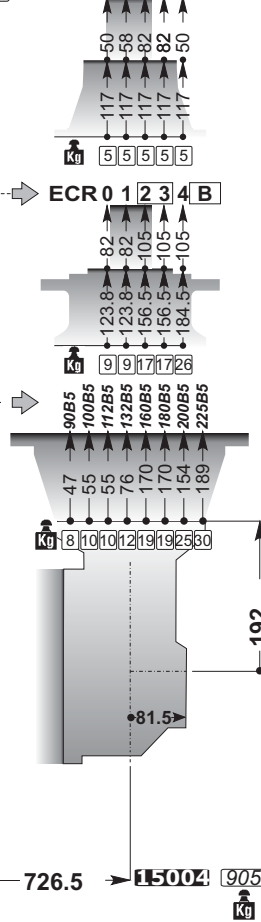
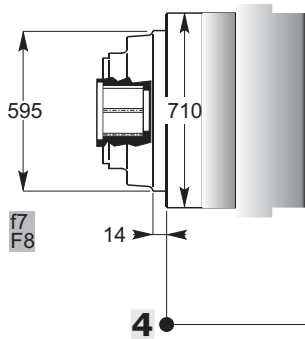
→ **ECR 0 1 2 3 4 B**

IEC

→

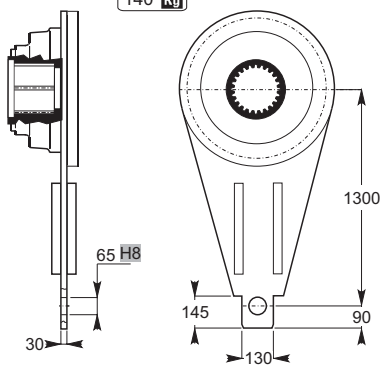


EXB



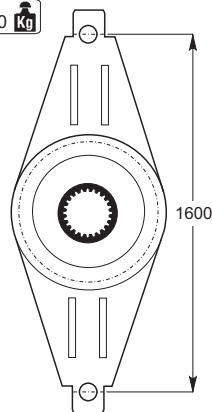
BRS

140 Kg



BRD

120 Kg



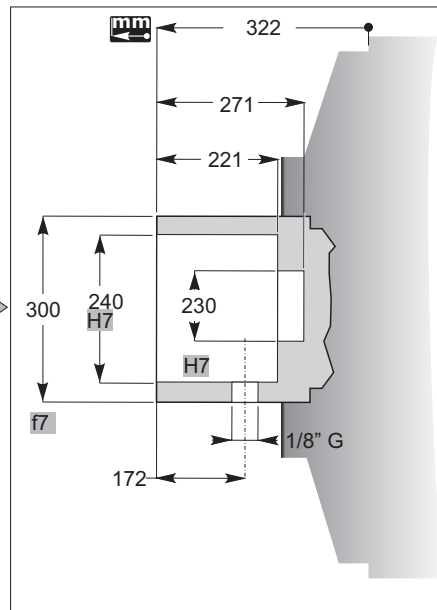
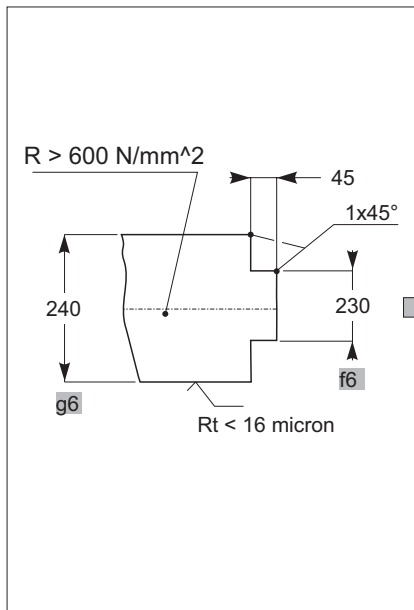
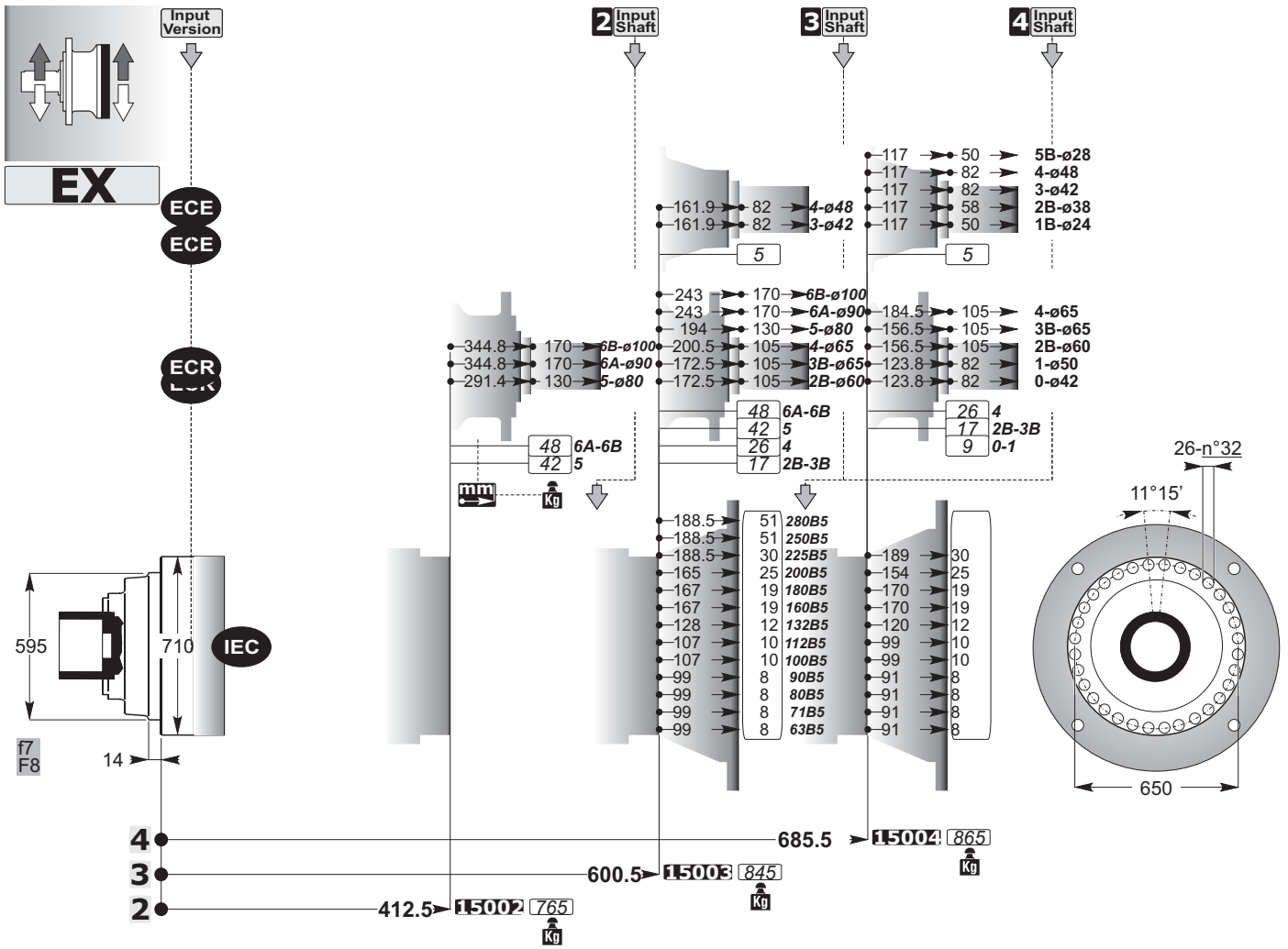
mm

C

BRD

BRS

Accessories



Output Shafts

ECE

4 Input Shaft → ECE 1 2 3 4 5 B

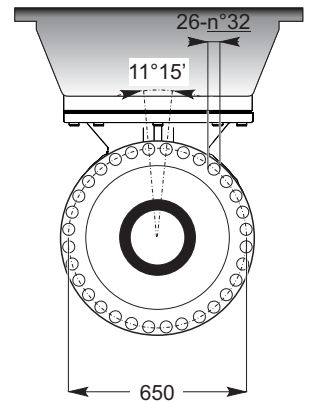
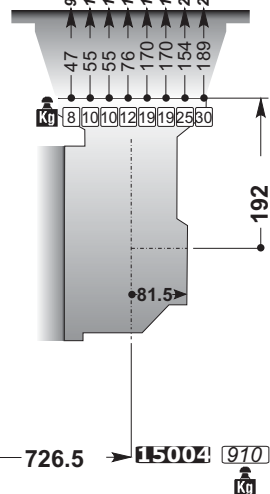
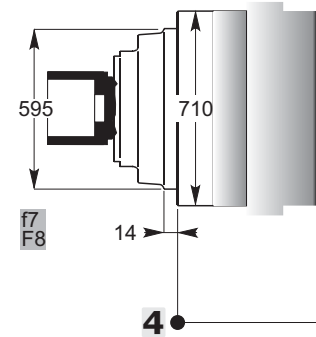
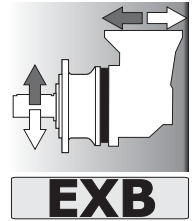
Input Version

ECR

→ ECR 0 1 2 3 4 B

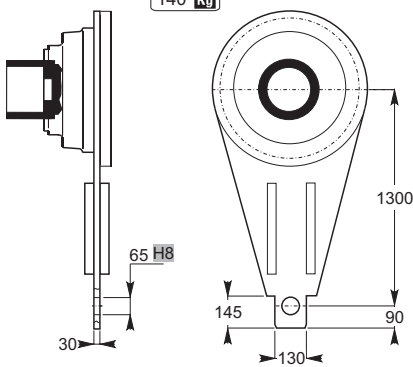
IEC

→



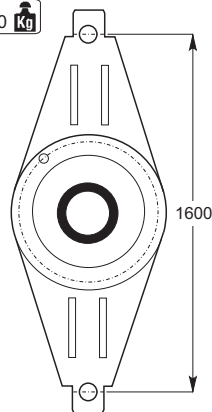
BRS

140 Kg



BRD

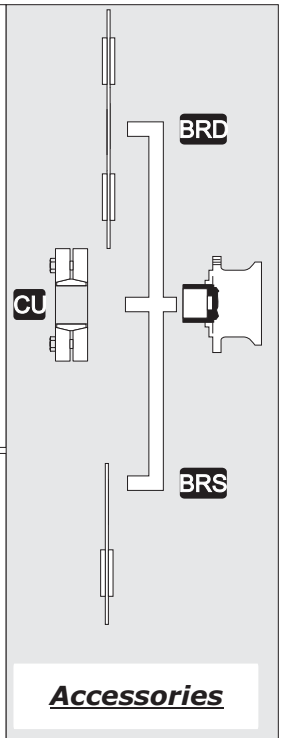
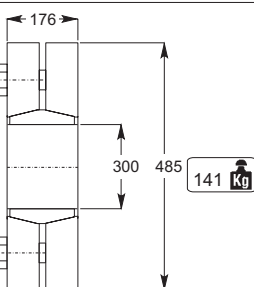
120 Kg



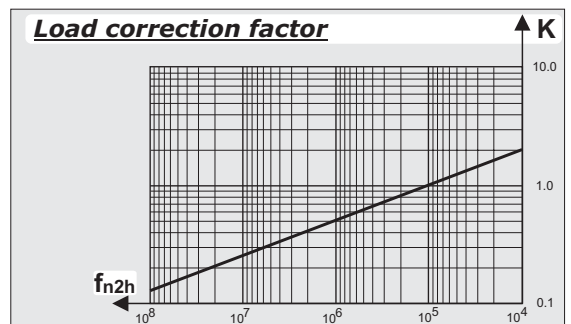
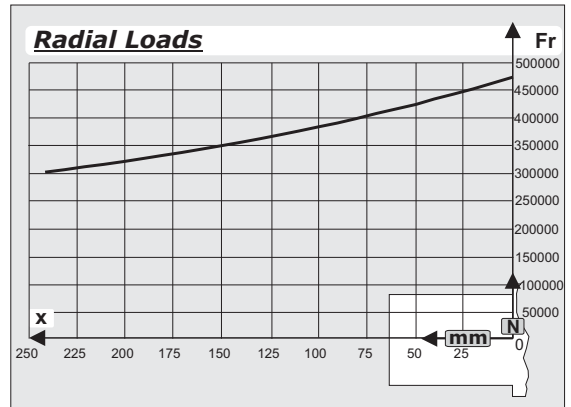
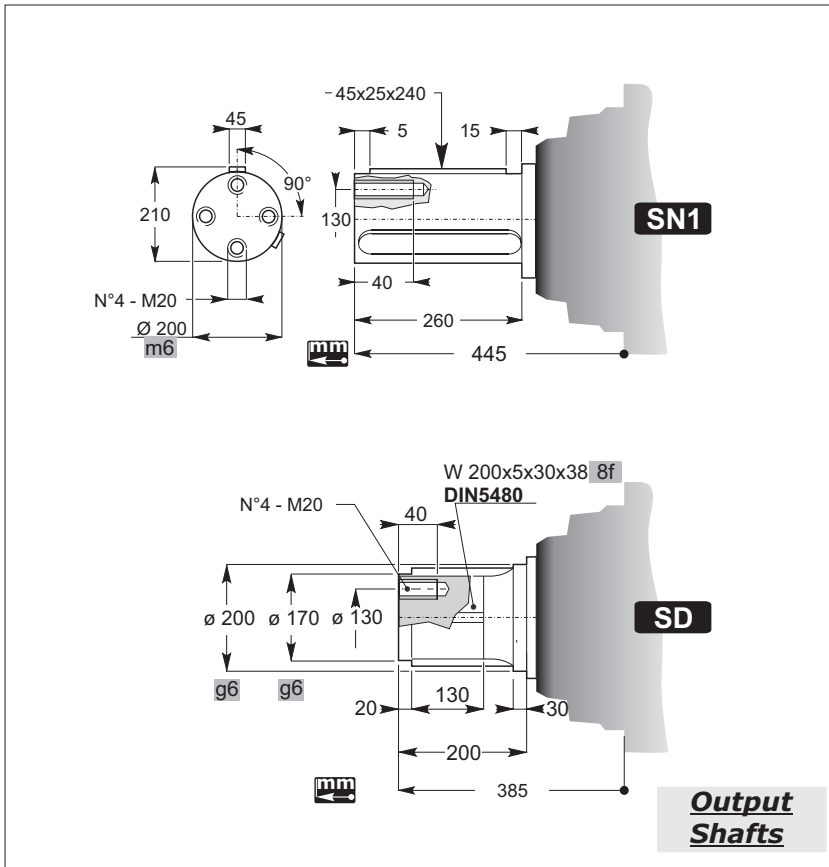
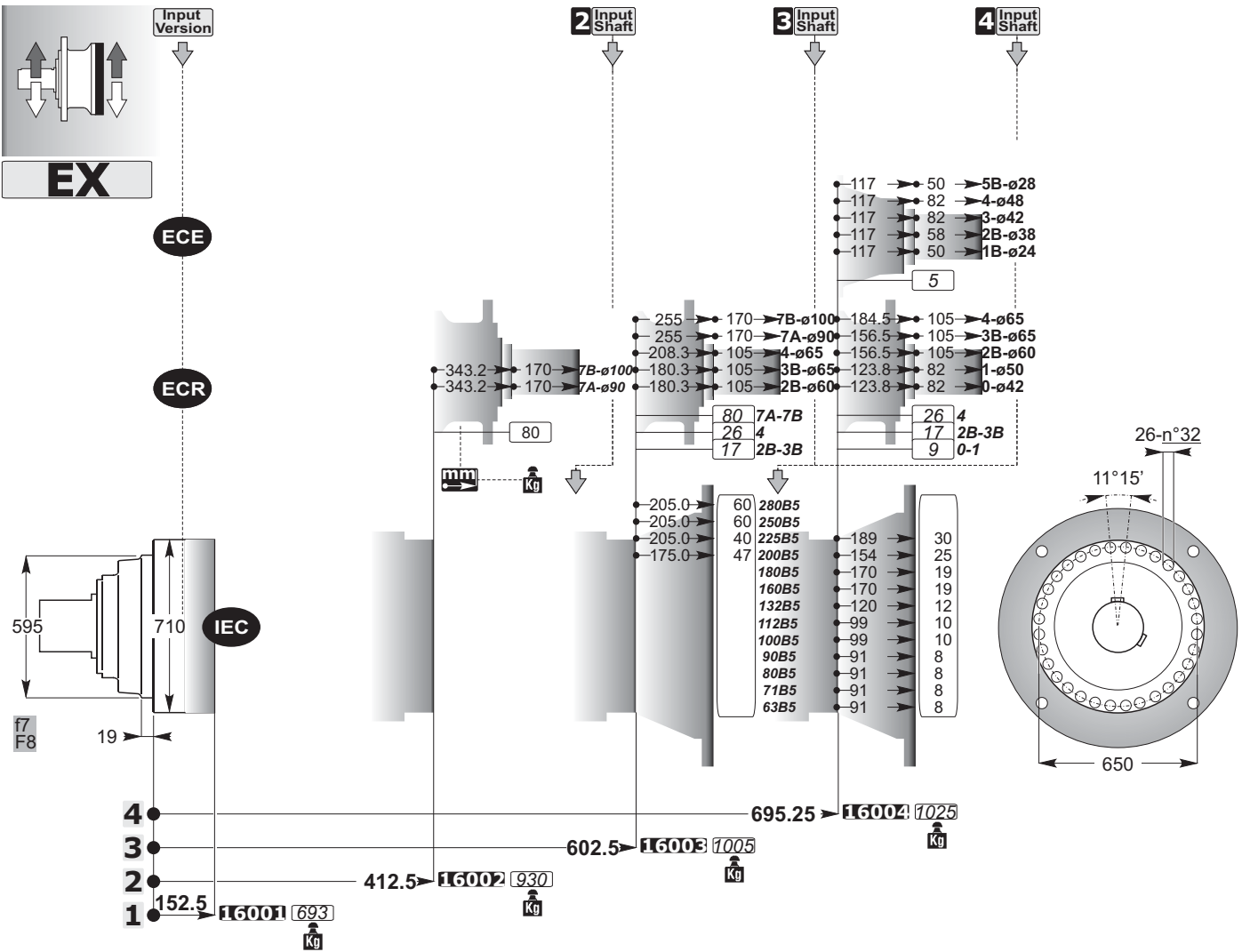
CU

Ms 840 Nm

M24 10.9

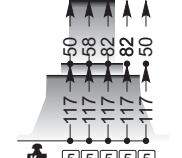


mm
C



ECE

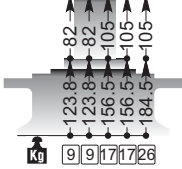
4 Input Shaft → ECE 1 2 3 4 5 B



Input Version

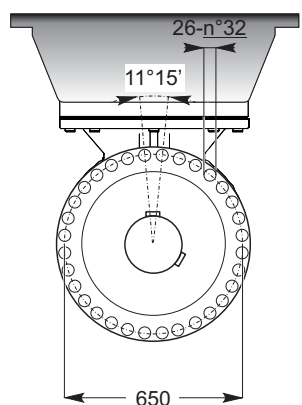
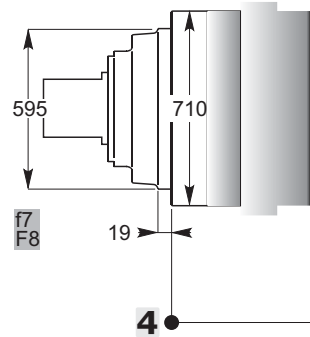
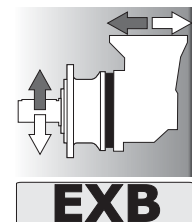
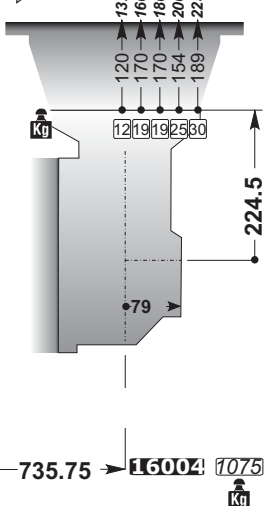
ECR

→ ECR 0 1 2 3 4 B



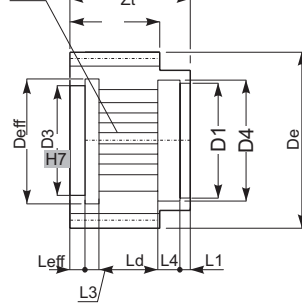
IEC

→



ID

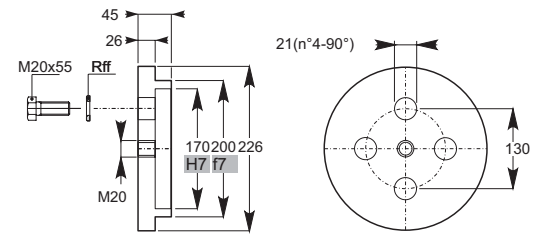
N 200x5x30x38 9H
DIN5480



ID	m	Z	X	De

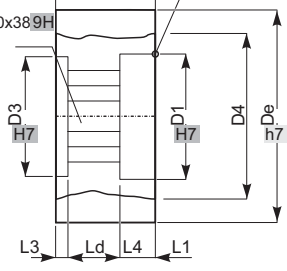
On request

FF

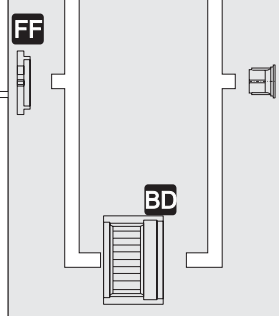


BD

N200x5x30x38 9H
DIN5480

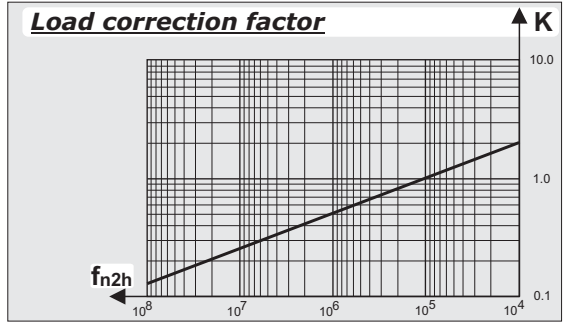
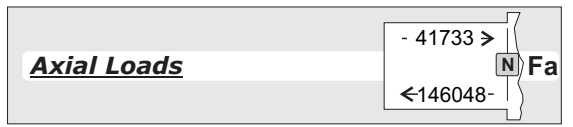
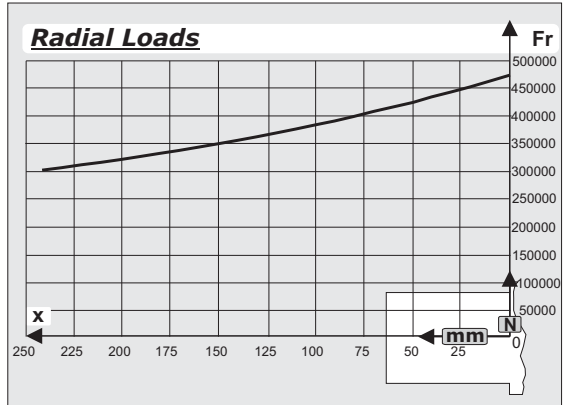
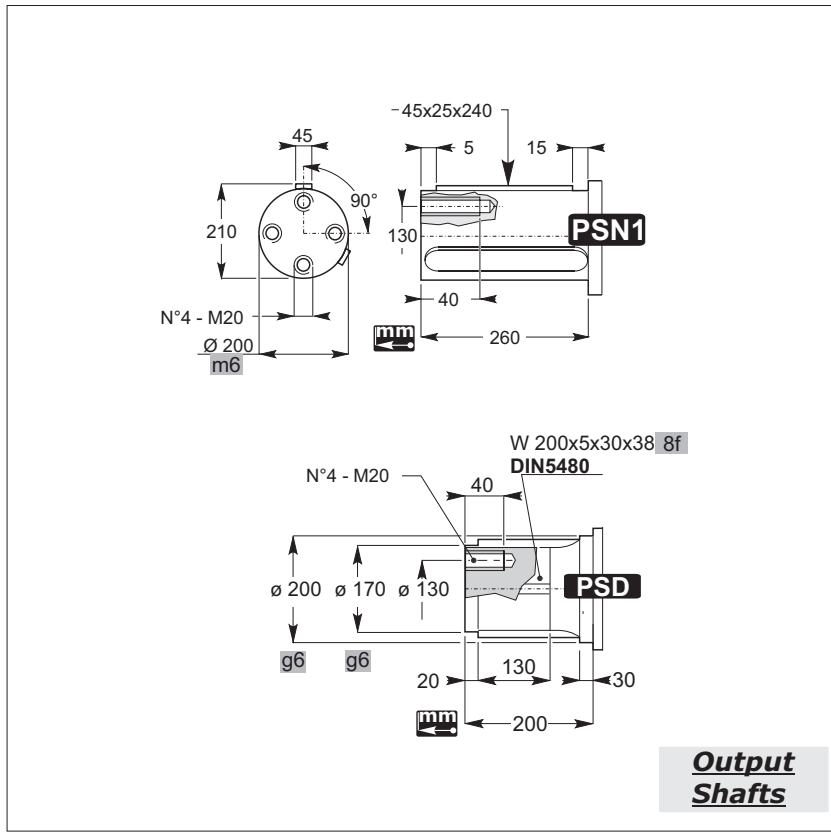
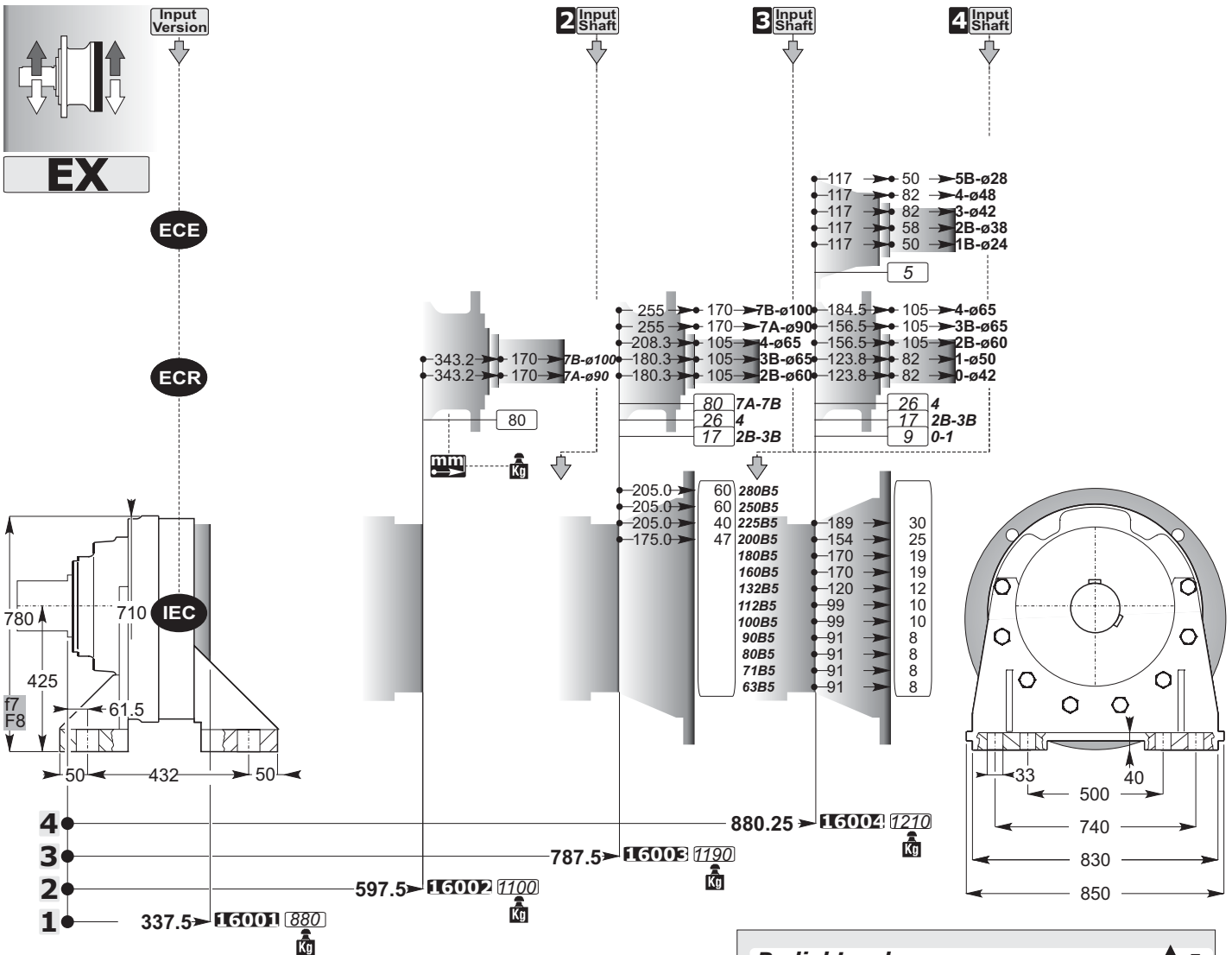


On request



Accessories





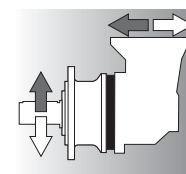
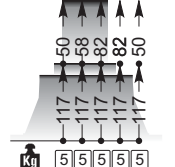
ECE

Input Version

ECR

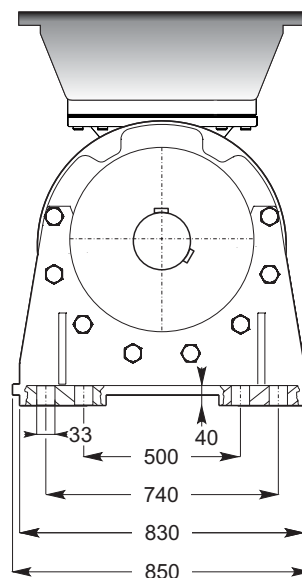
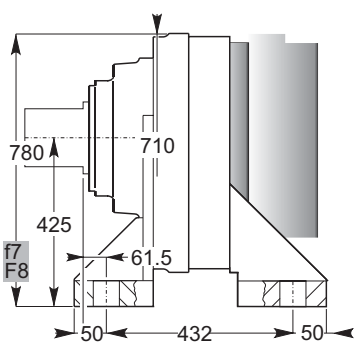
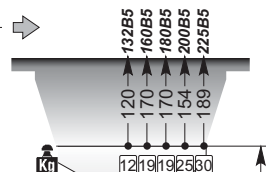
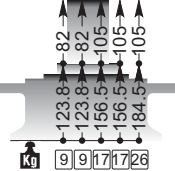
IEC

4 Input Shaft → ECE 1 2 3 4 5 B



EXB

ECR 0 1 2 3 4 B

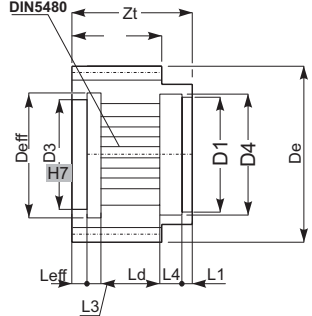


920.75 → 116002 1245

ID

N 200x5x30x38 9H

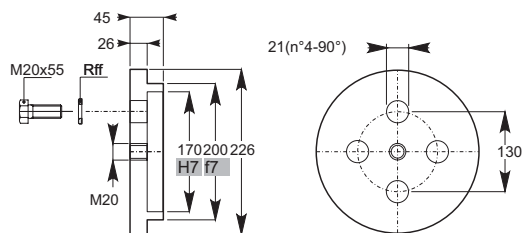
DIN5480



ID	m	Z	X	De

On request

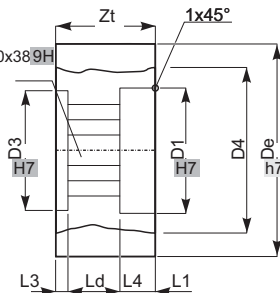
FF



BD

N200x5x30x38 9H

DIN5480



On request

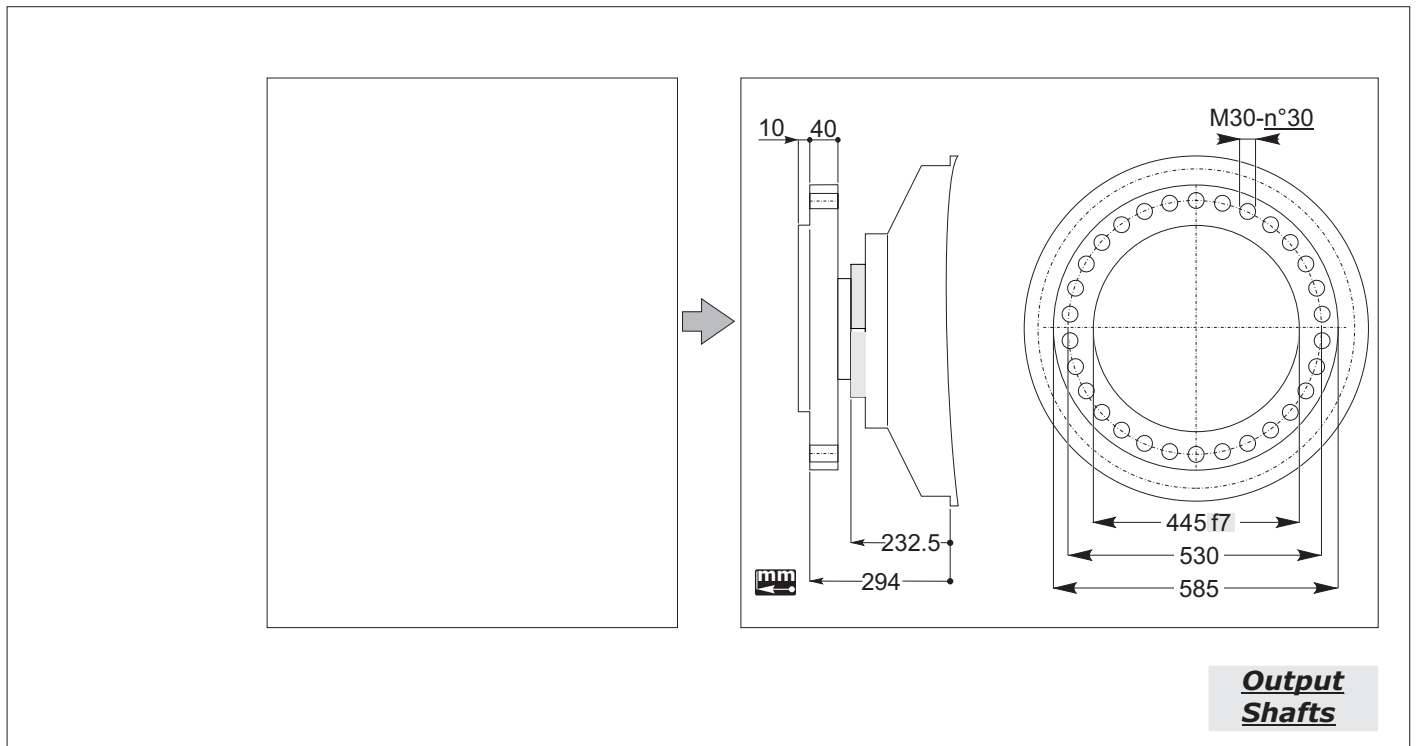
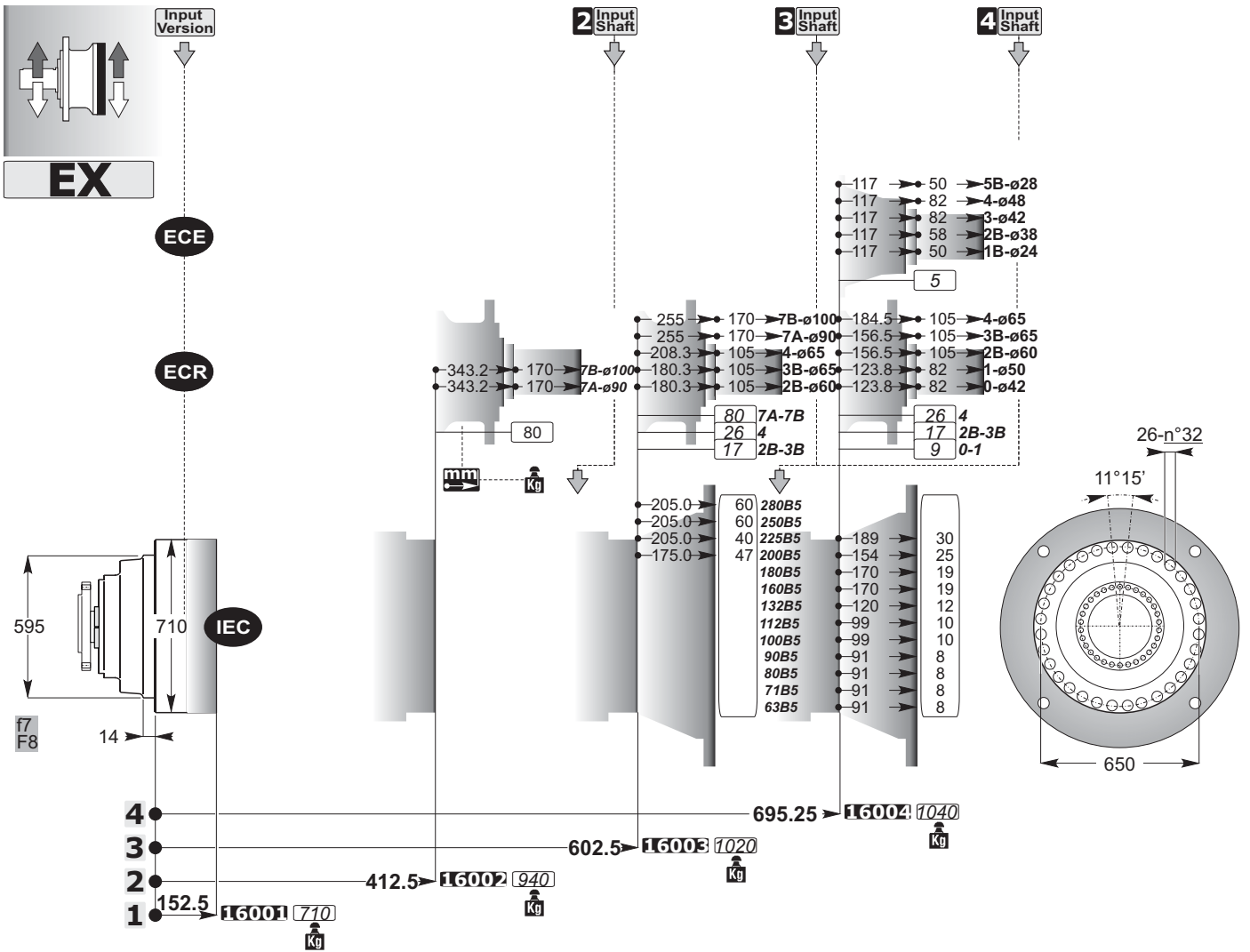
FF

ID

BD

Accessories





ECE

4 Input Shaft → ECE 1 2 3 4 5 B

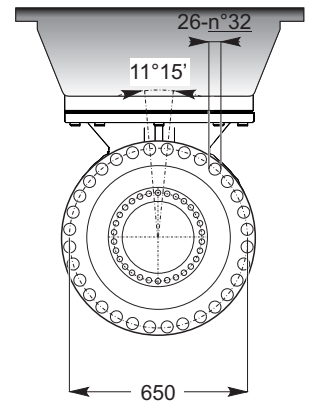
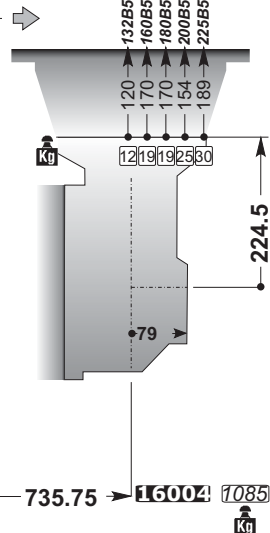
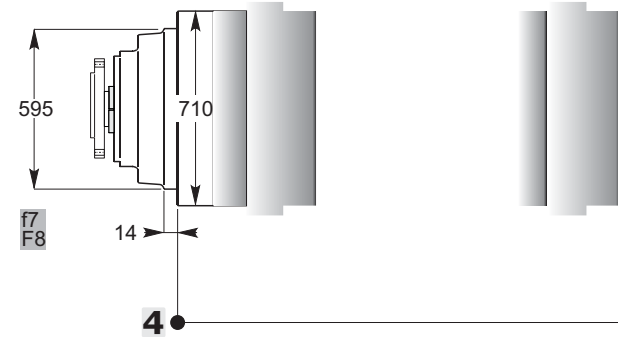
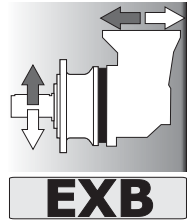
Input Version

ECR

→ ECR 0 1 2 3 4 B

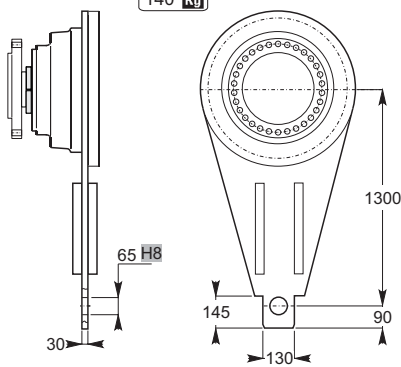
IEC

→



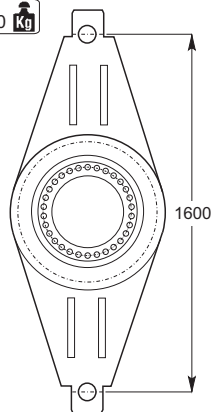
BRS

140 Kg

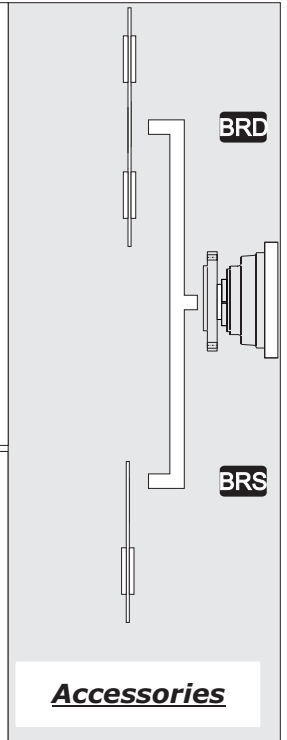


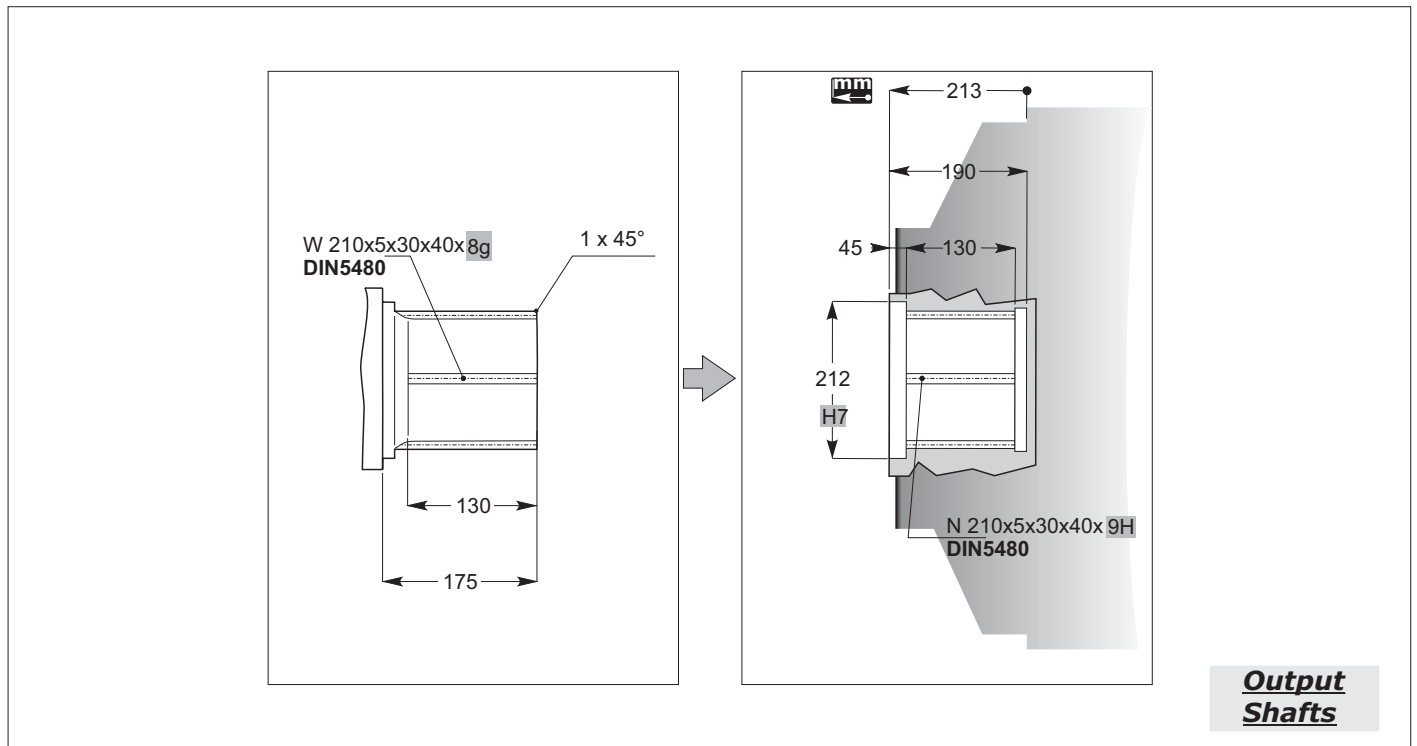
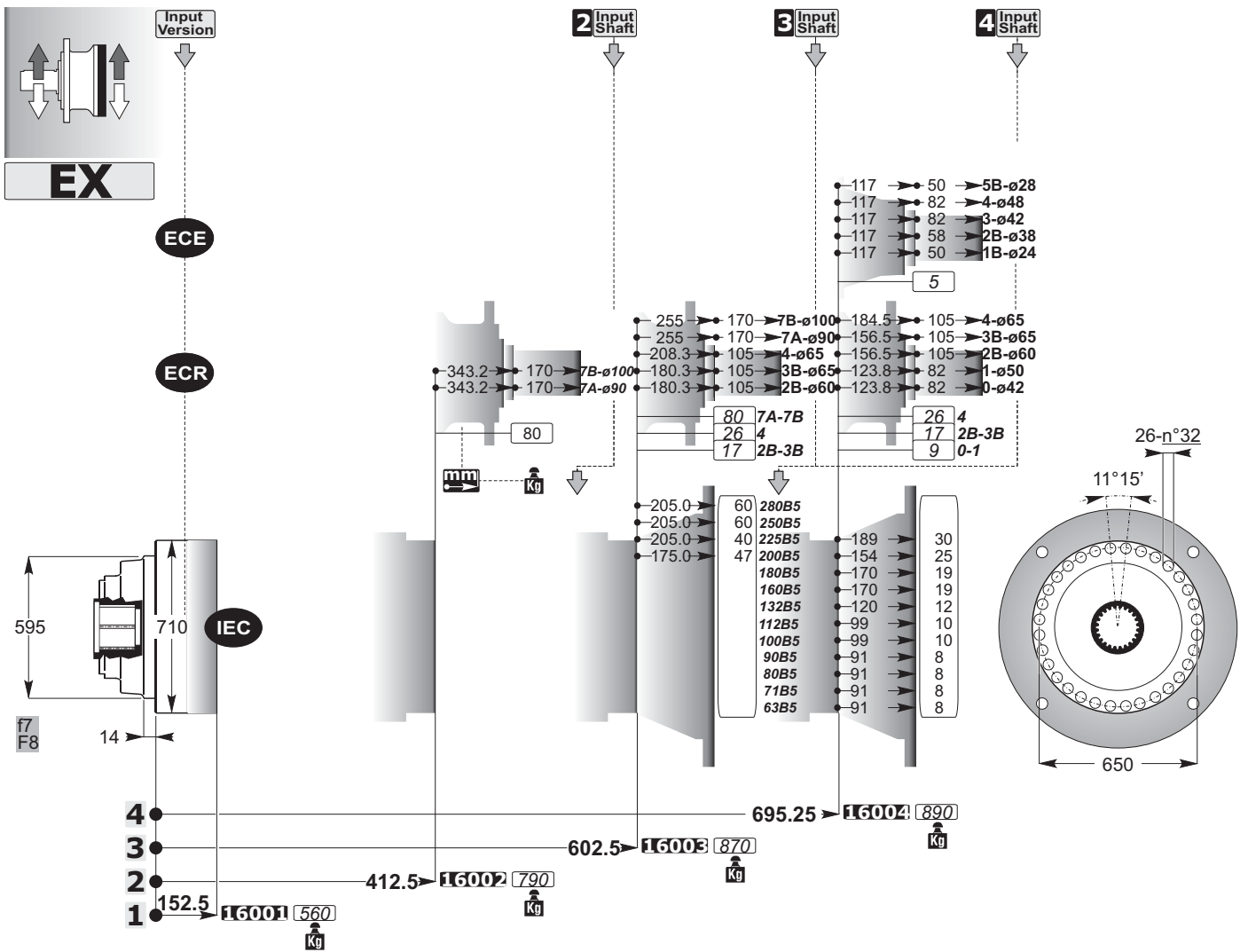
BRD

120 Kg



mm
C





ECE

4 Input Shaft → ECE 1 2 3 4 5 B

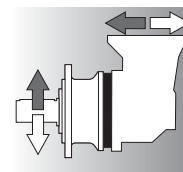
Input Version

ECR

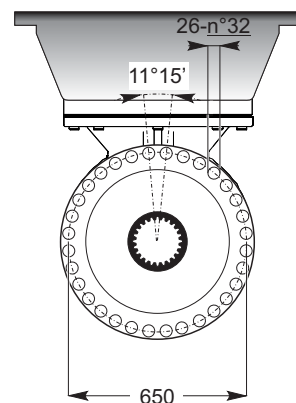
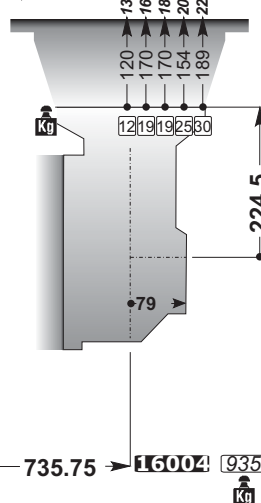
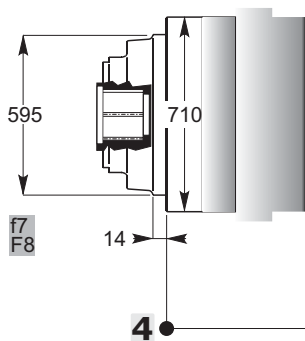
→ ECR 0 1 2 3 4 B

IEC

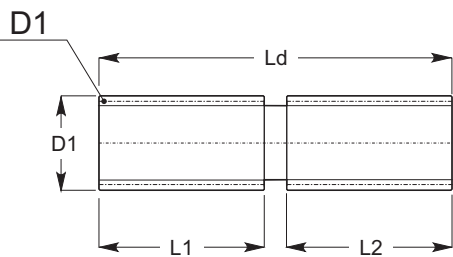
→



EXB



SD



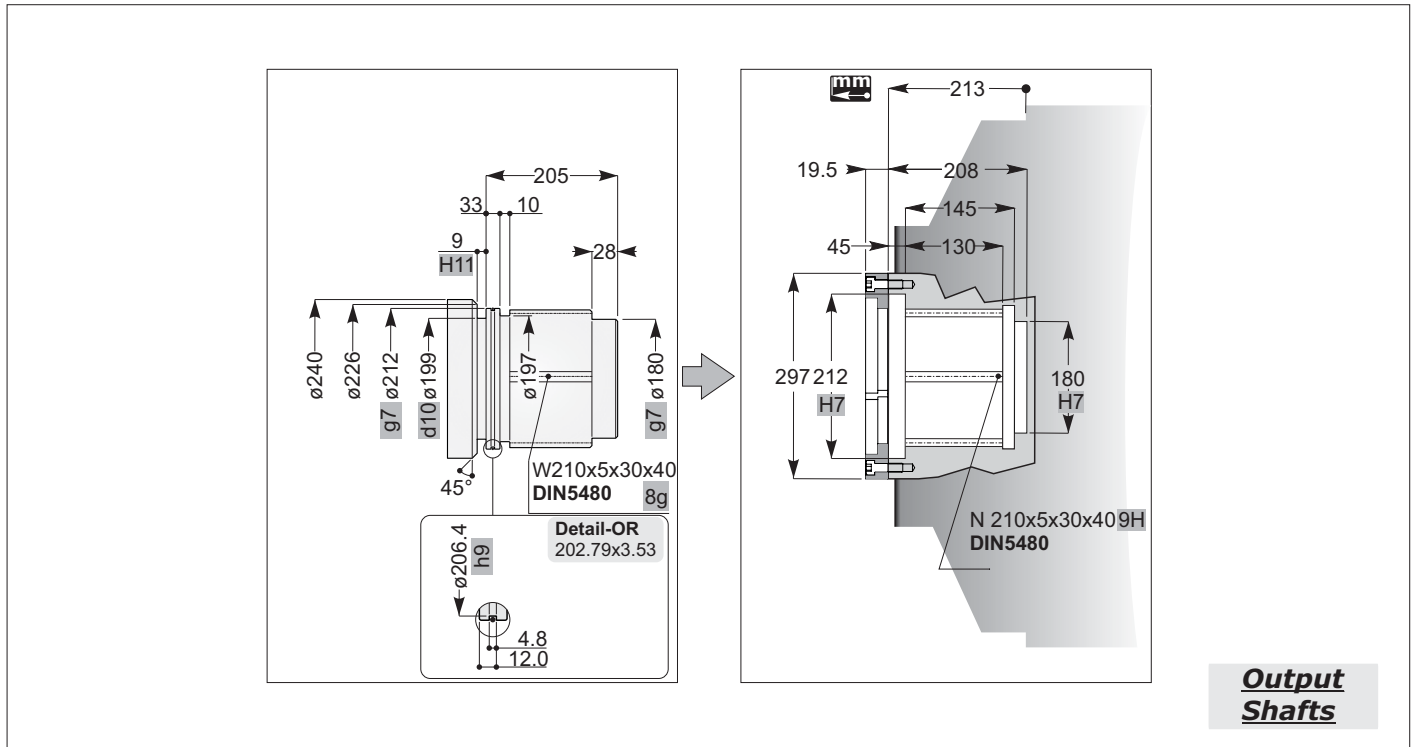
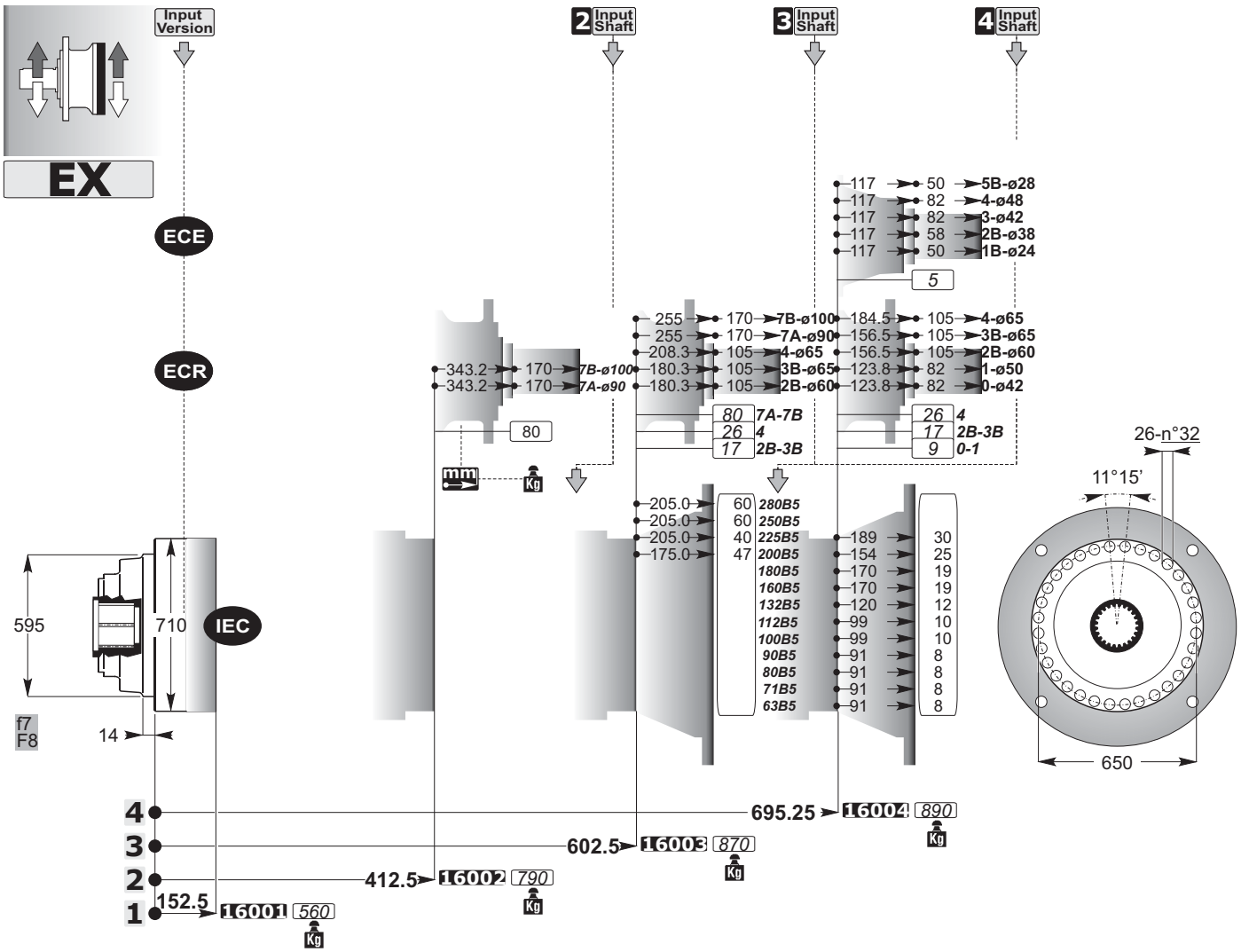
On request

SD



Accessories

mm
C



ECE

4 Input Shaft → ECE 1 2 3 4 5 B

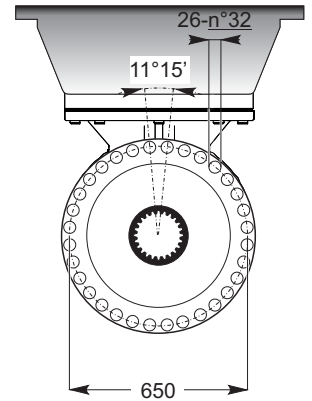
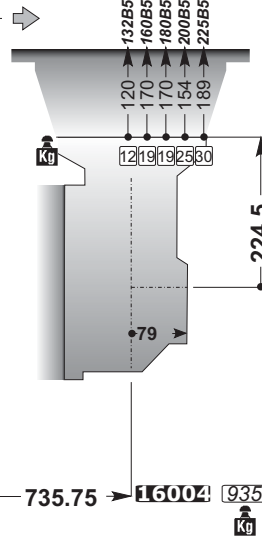
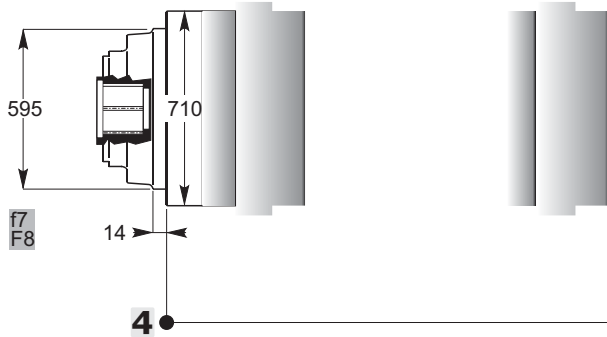
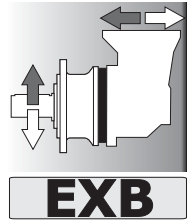
Input Version

ECR

→ ECR 0 1 2 3 4 B

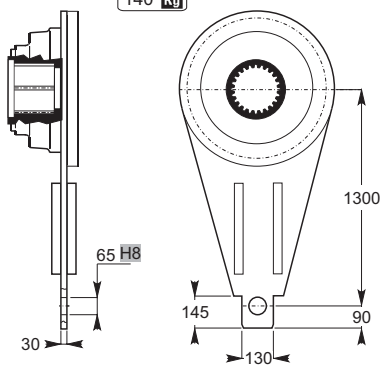
IEC

→



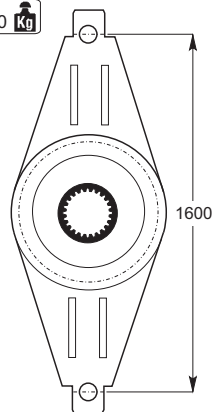
BRS

140 Kg



BRD

120 Kg



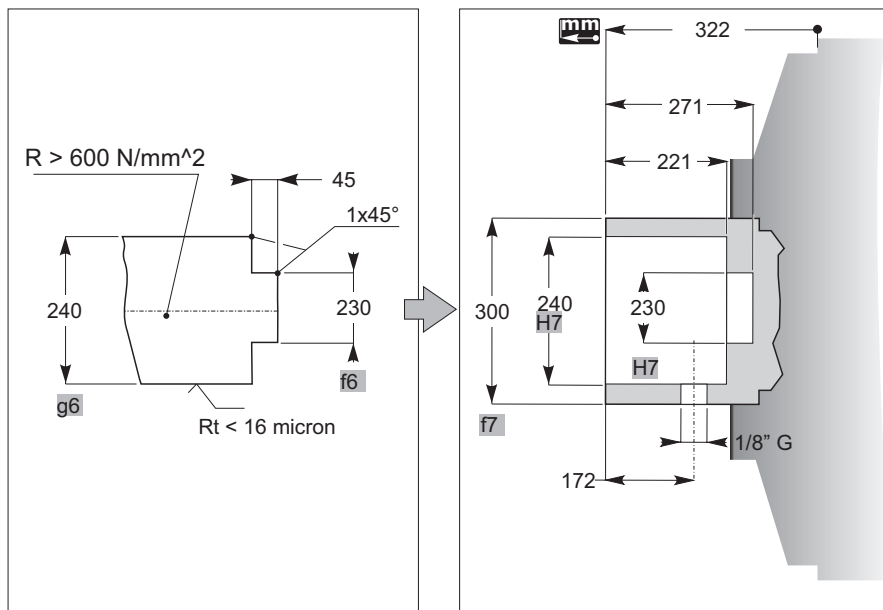
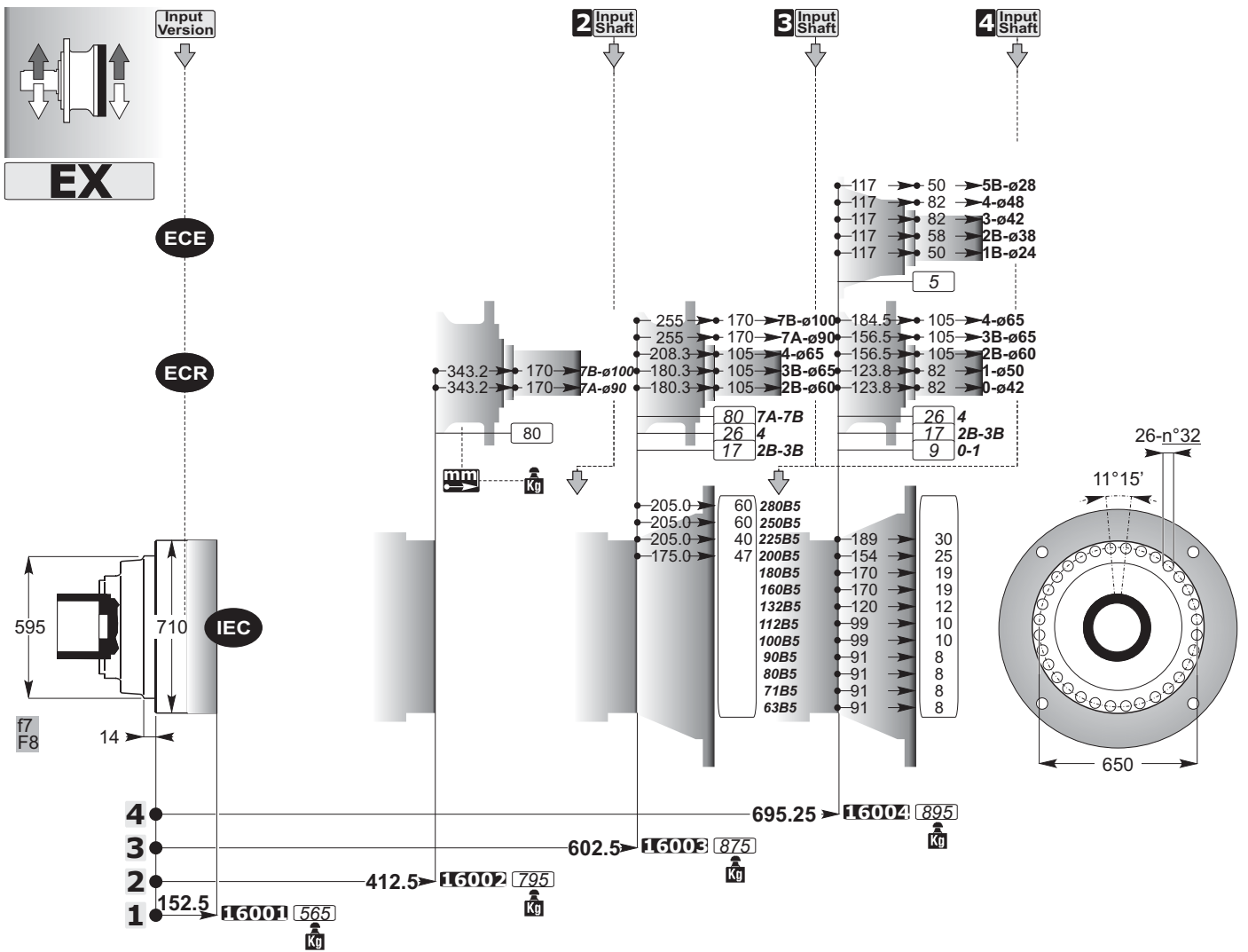
mm

C

BRD

BRS

Accessories



Output Shafts

ECE

4 Input Shaft → ECE 1 2 3 4 5 B

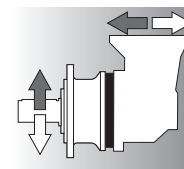
Input Version

ECR

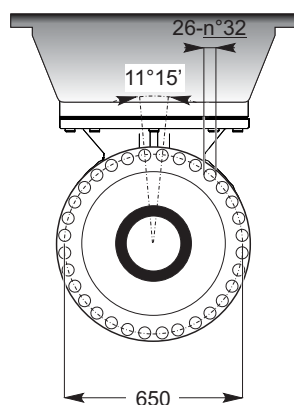
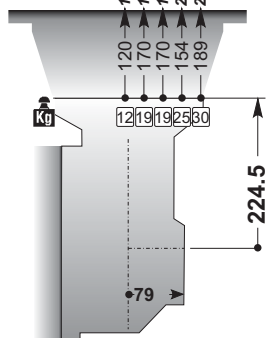
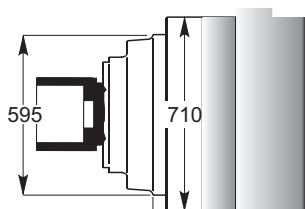
→ ECR 0 1 2 3 4 B

IEC

→



EXB

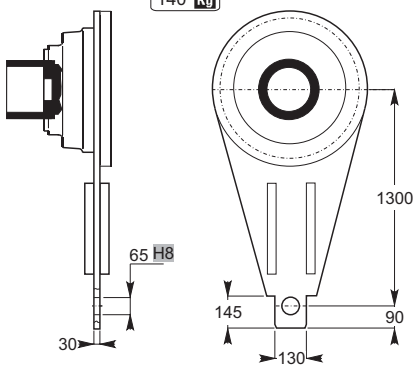


4 • 735.75 → **16004** 940

kg

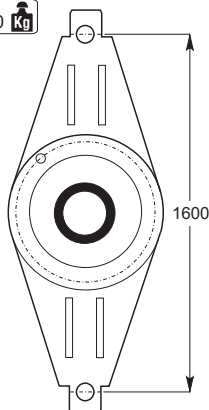
BRS

140 kg



BRD

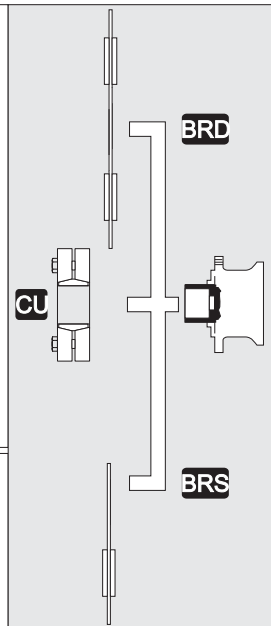
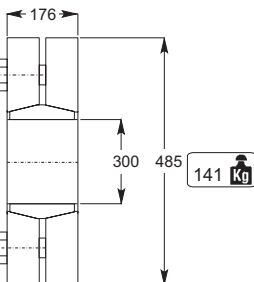
120 kg



CU

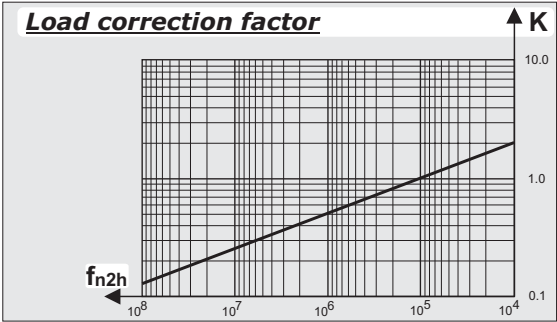
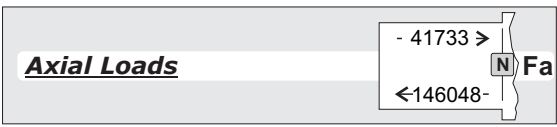
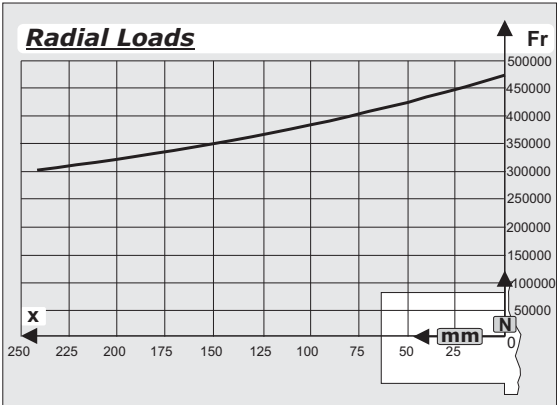
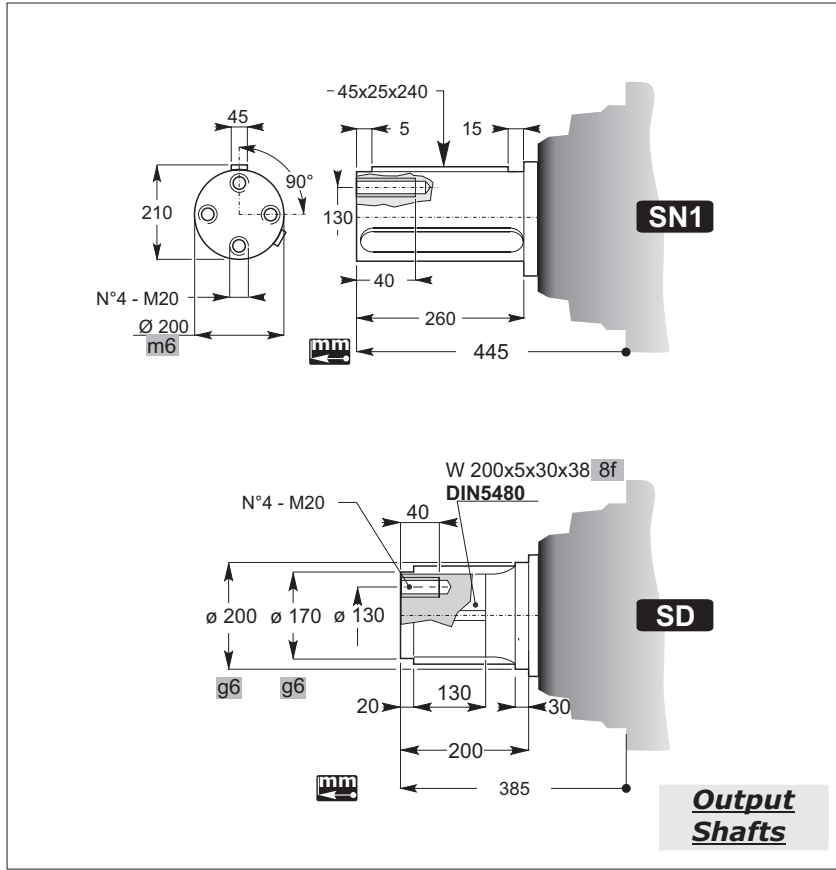
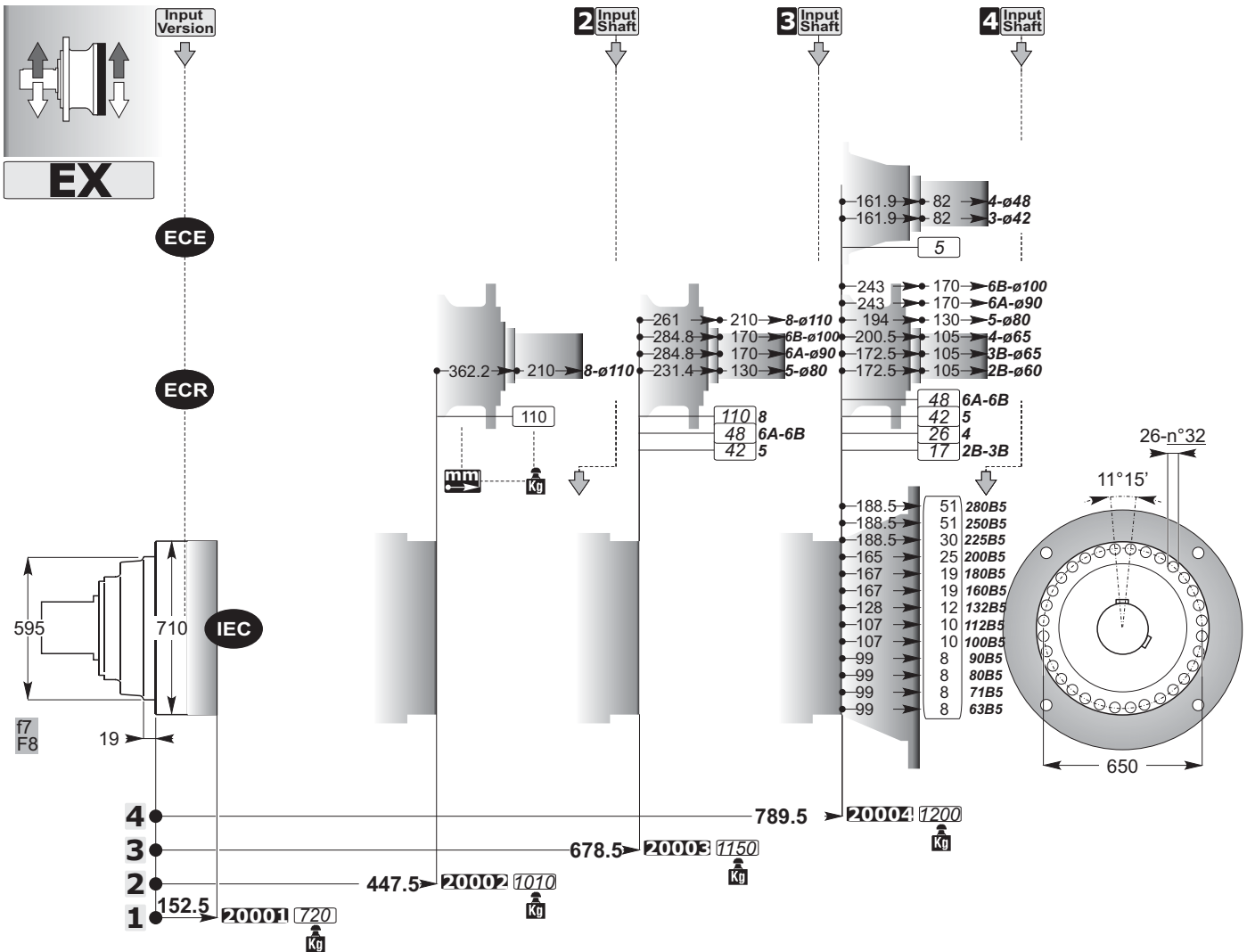
Ms 840 Nm

M24 10.9



Accessories

mm
C



ECE

4 Input Shaft → ECE 3 4

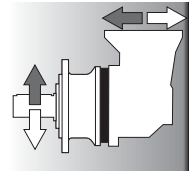
Input Version

ECR

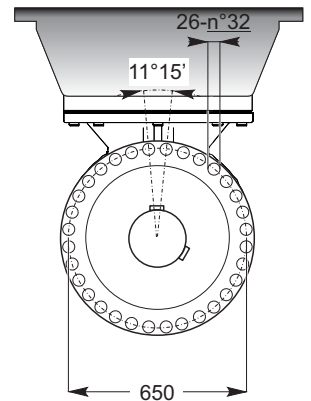
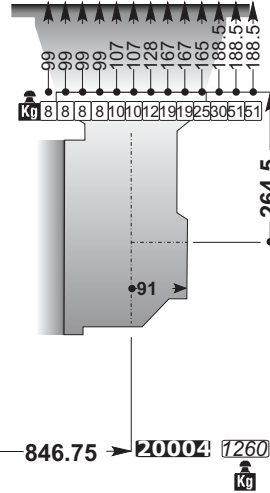
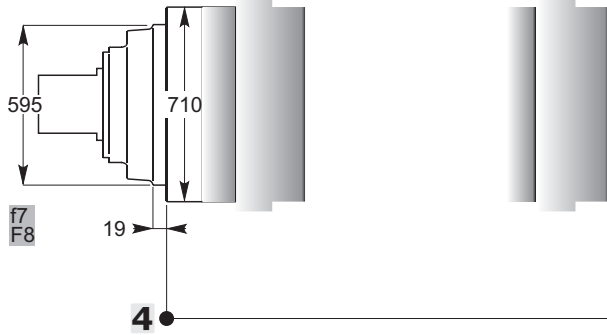
→ ECR 2 3 4 5 6 6 B A

IEC

→

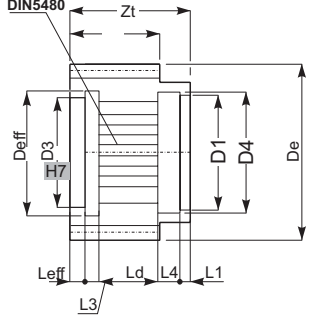


EXB



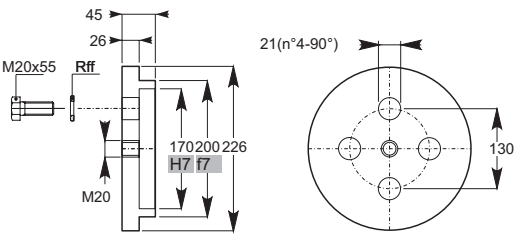
ID

N 200x5x30x38 9H
DIN5480

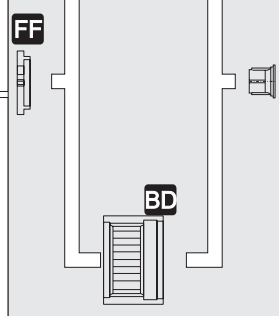
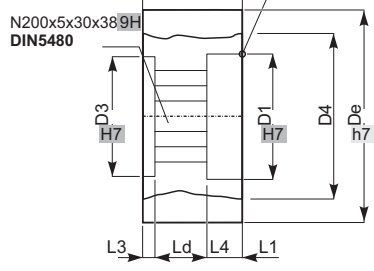


ID	m	Z	X	De

FF

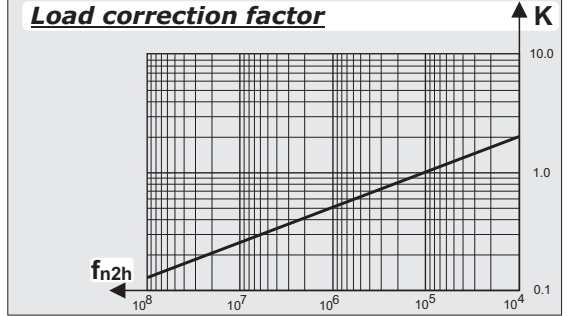
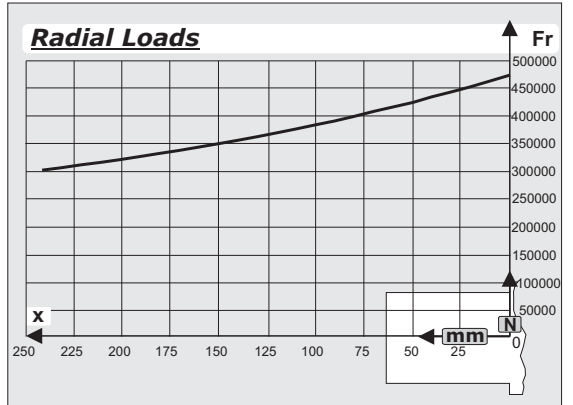
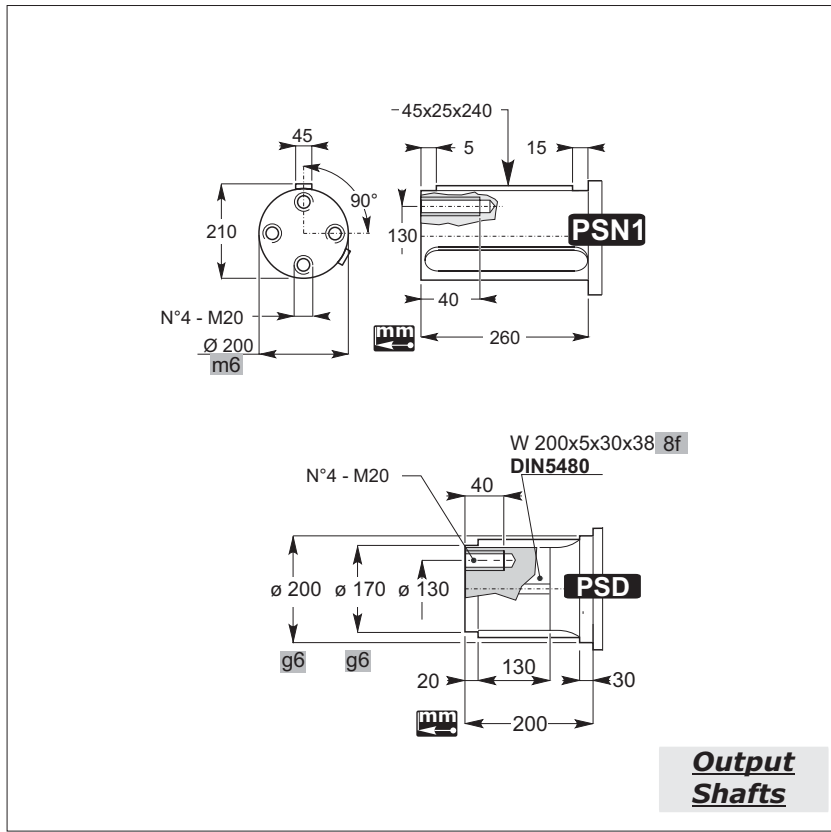
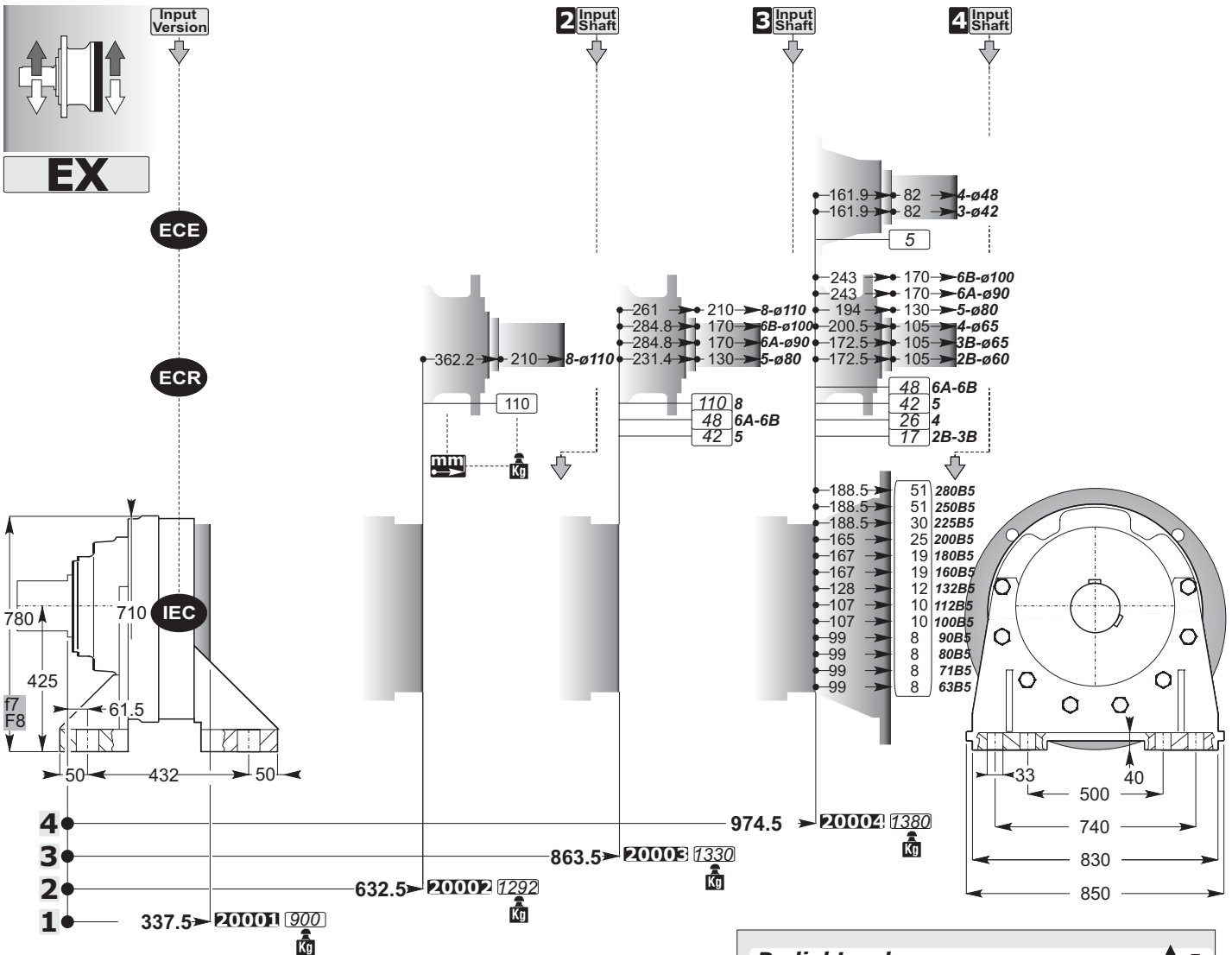


BD



Accessories

mm
C



ECE

4 Input Shaft → ECE 3 4

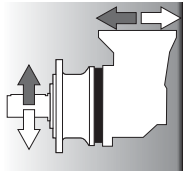
Input Version

ECR

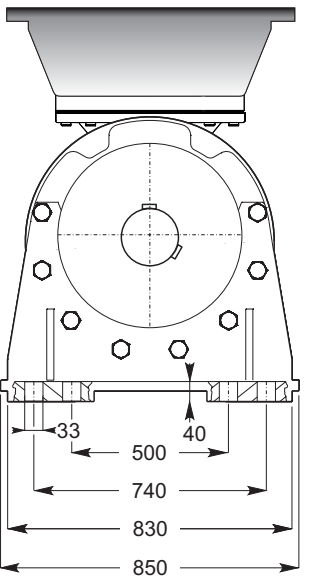
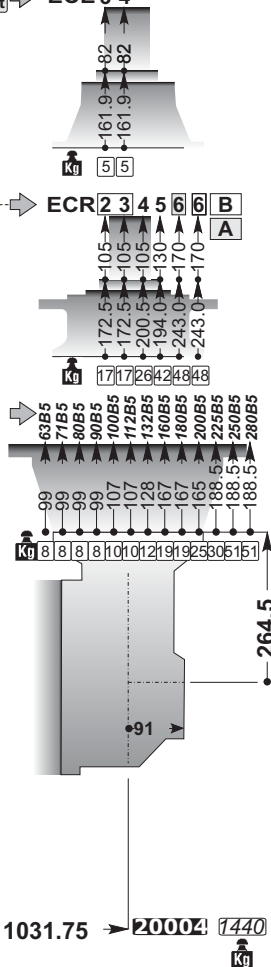
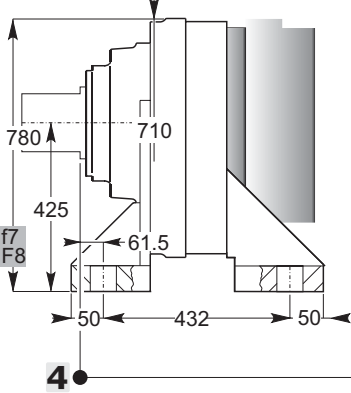
→ ECR 2 3 4 5 6 6 B A

IEC

→

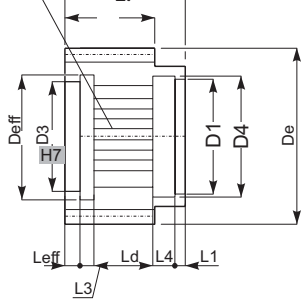


EXB



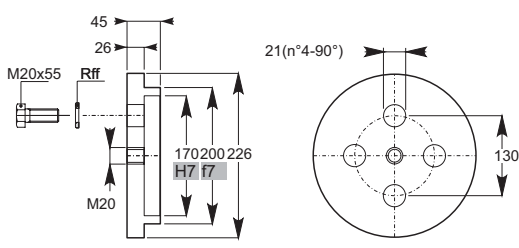
ID

N 200x5x30x38 9H
DIN5480



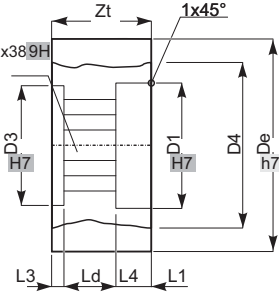
ID	m	Z	X	De

FF



BD

N 200x5x30x38 9H
DIN5480



FF

ID

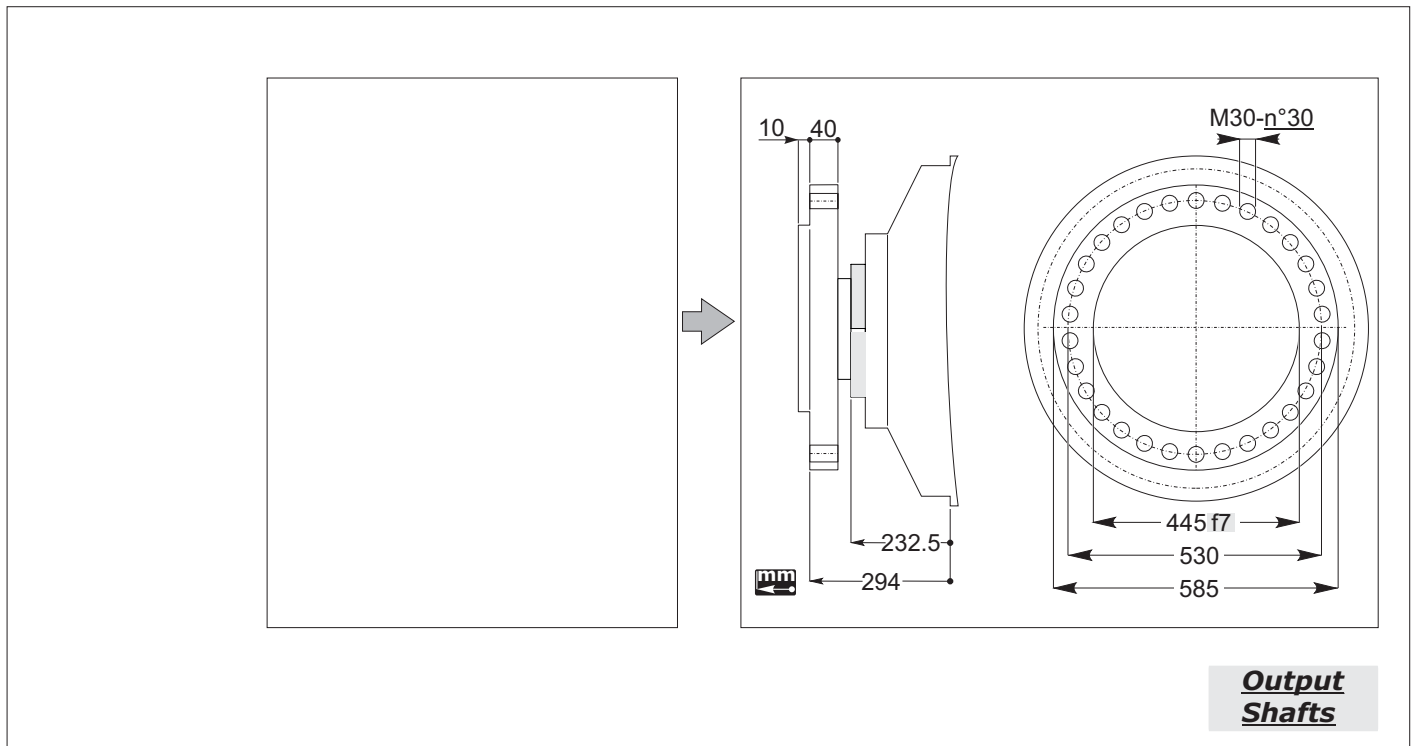
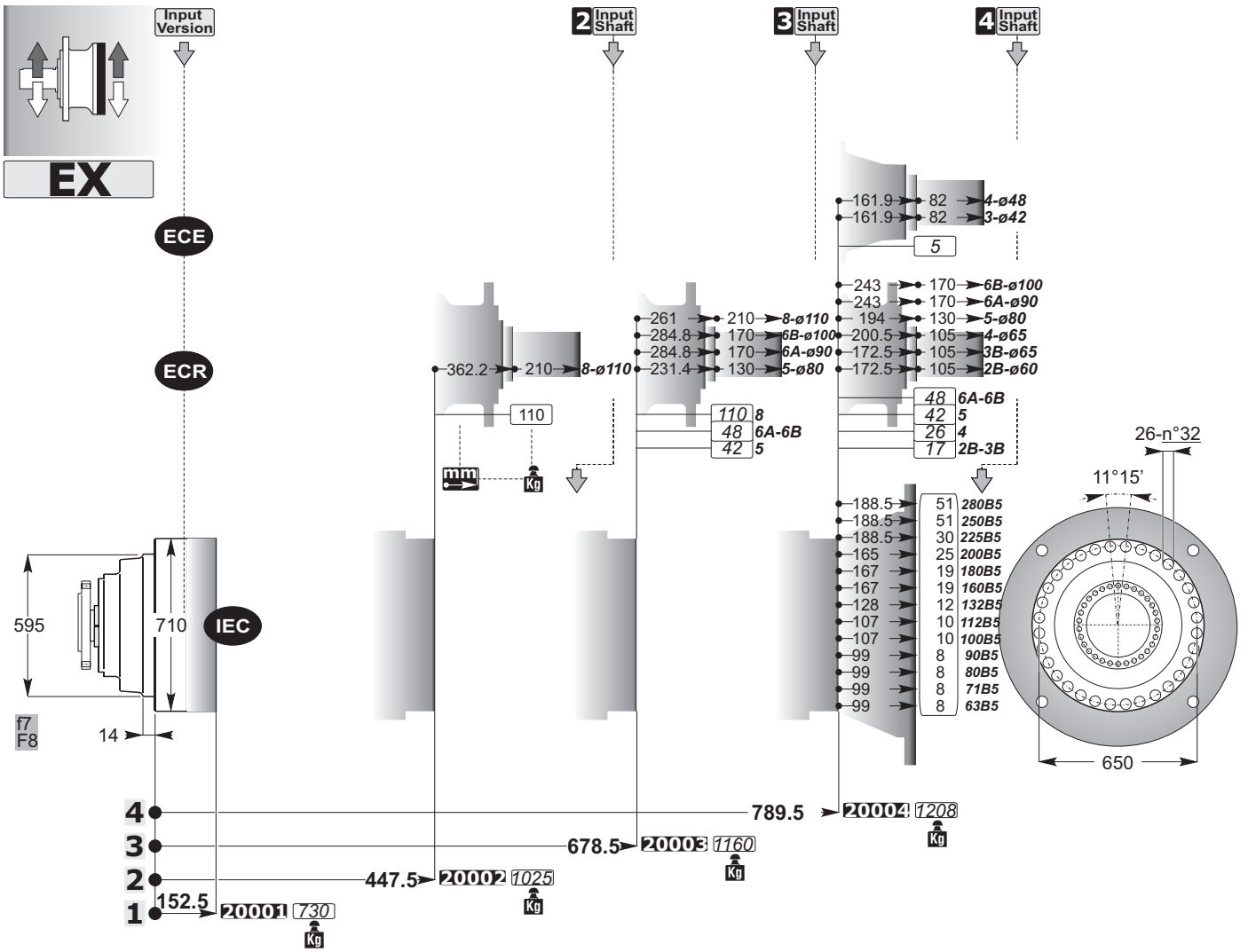


BD



Accessories

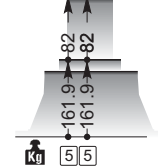
mm
C



ECE

4 Input Shaft →

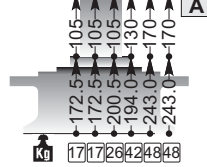
ECE 3 4



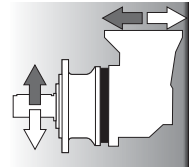
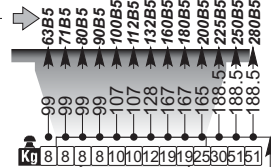
Input Version

ECR

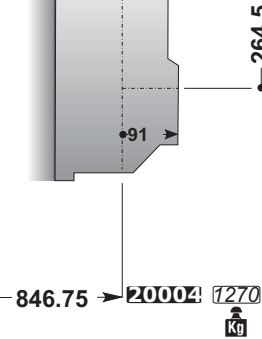
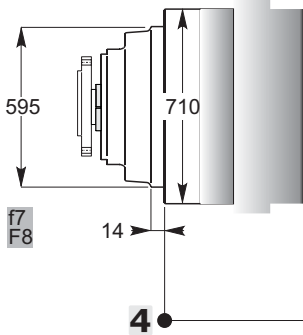
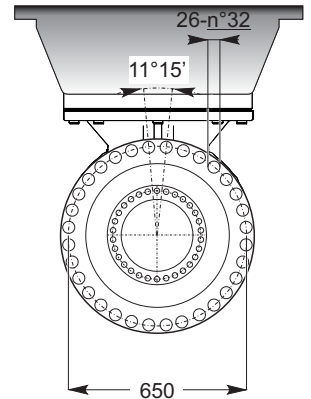
→ **ECR 2 3 4 5 6 6 B A**



IEC

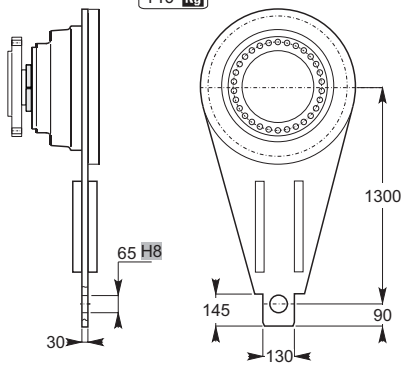


EXB



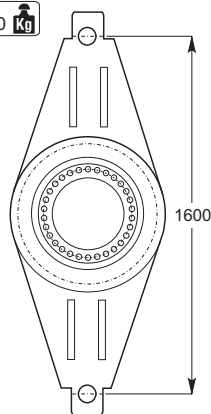
BRS

140 Kg



BRD

120 Kg



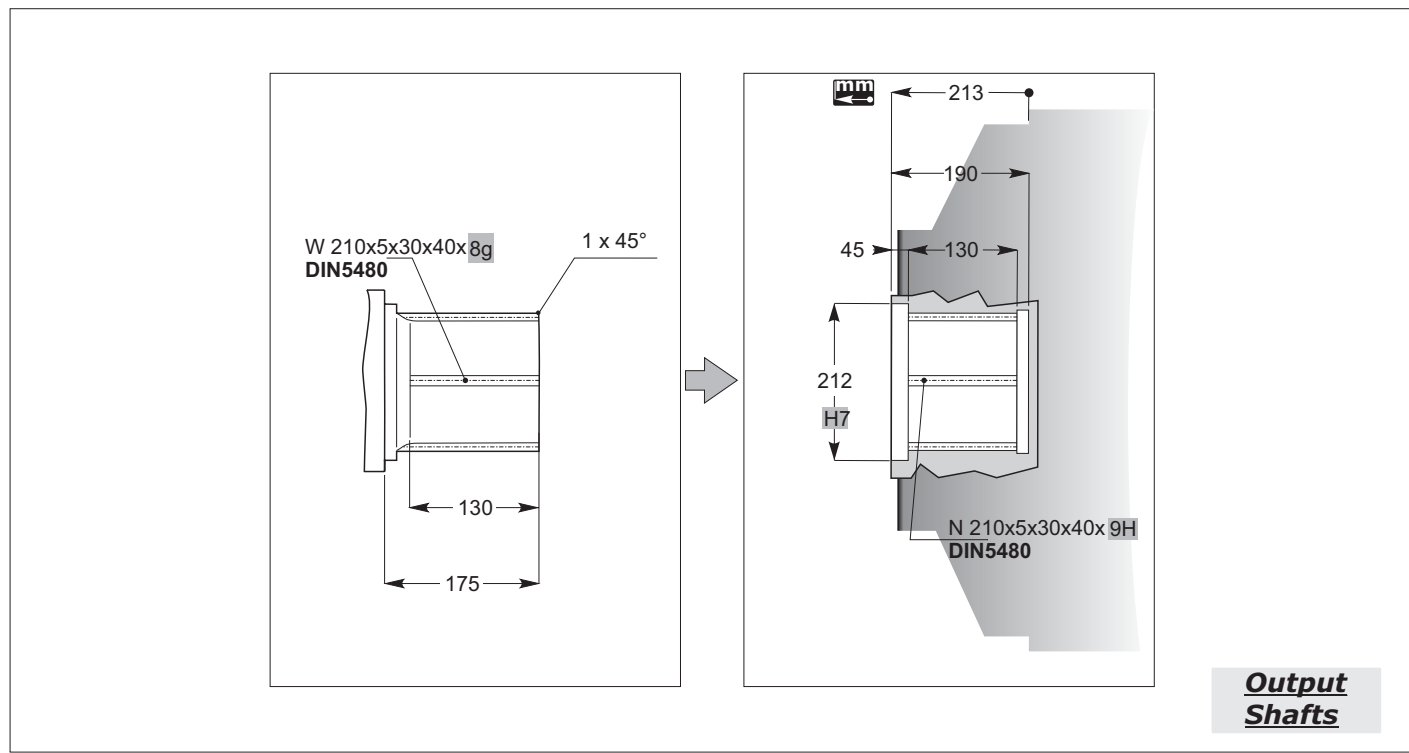
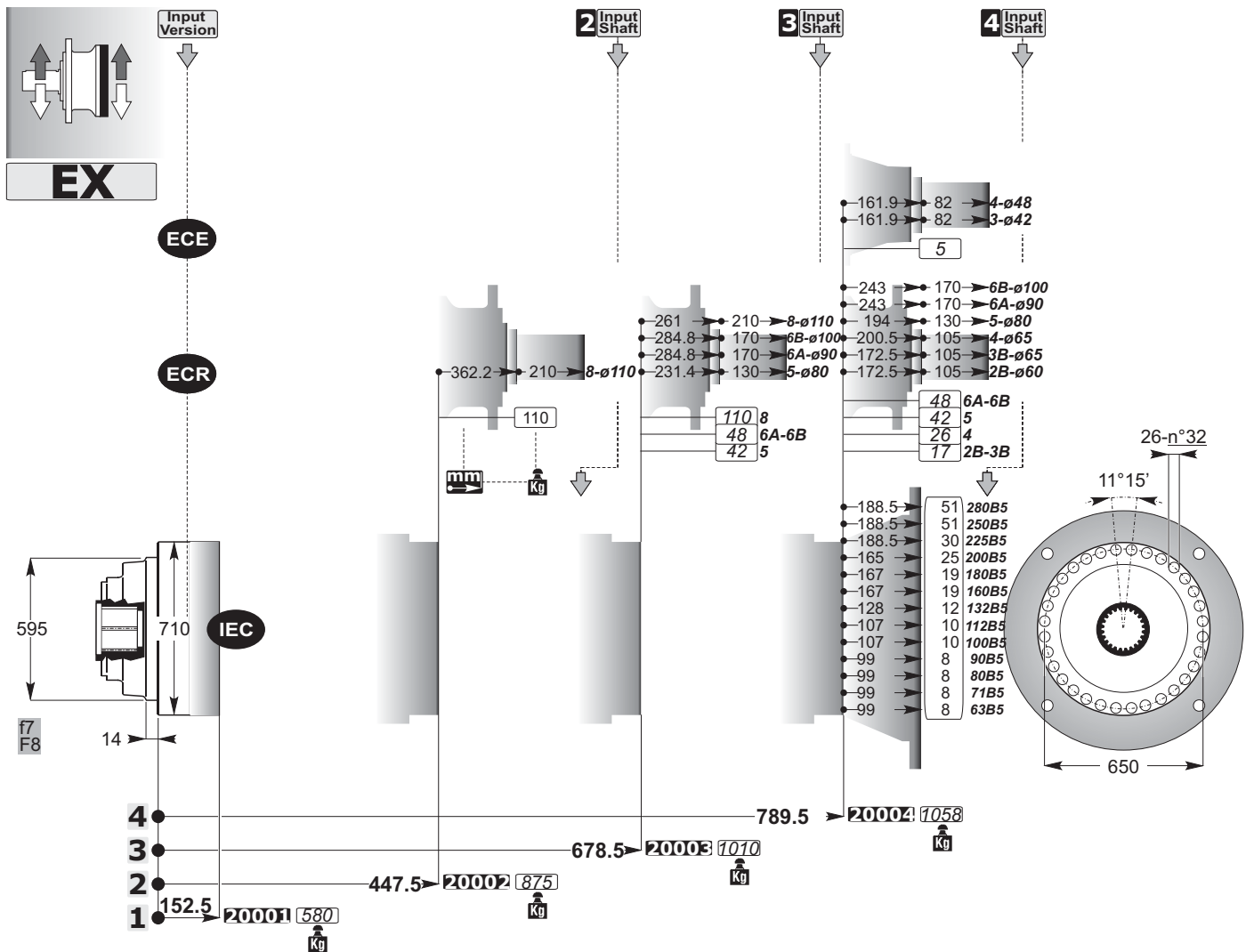
mm

C

BRD

BRS

Accessories



ECE

4 Input Shaft

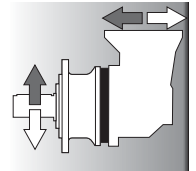
ECE 3 4

Input Version

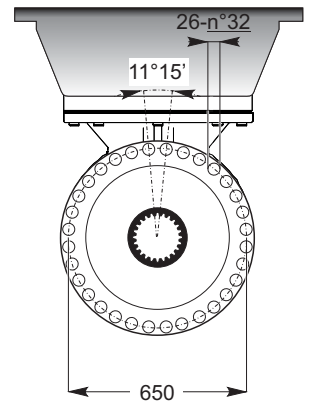
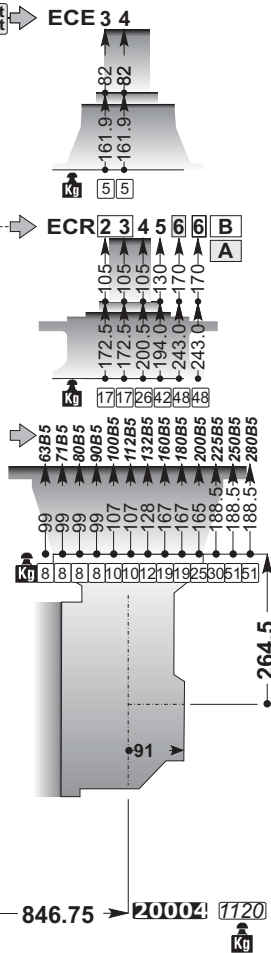
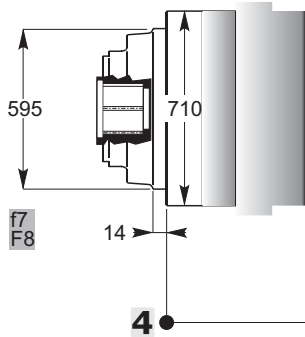
ECR

ECR 2 3 4 5 6 6 B A

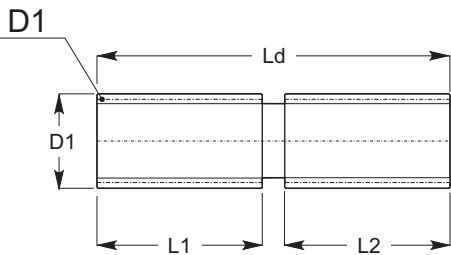
IEC



EXB



SD



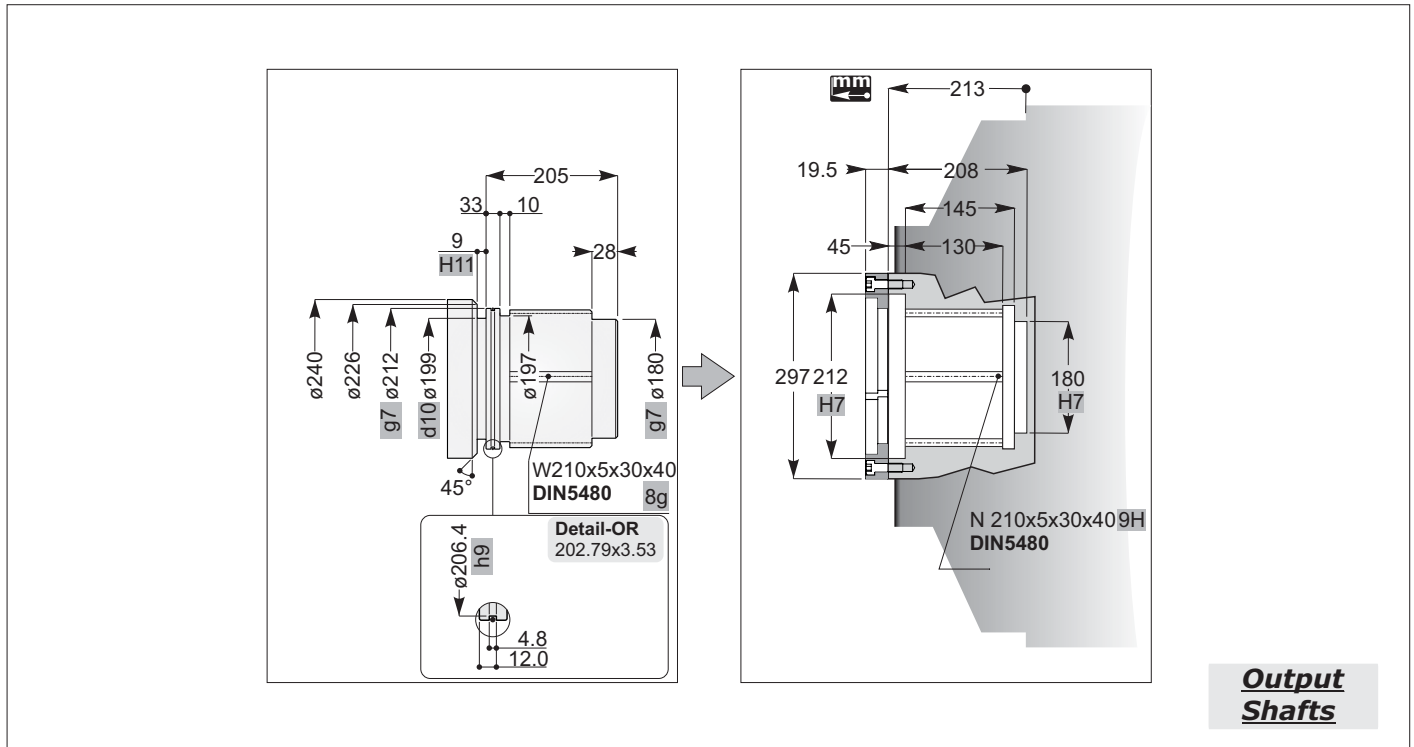
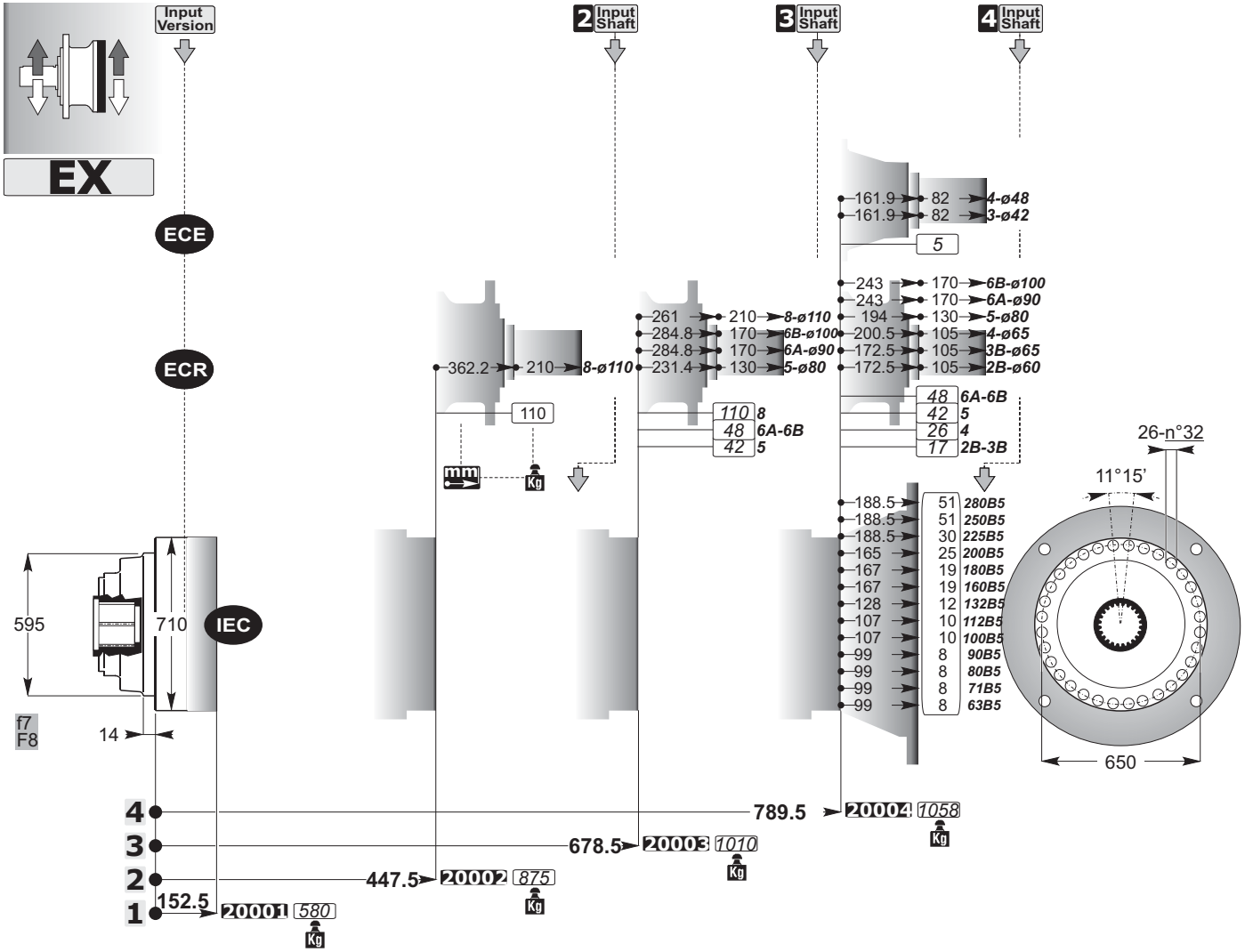
On request

SD



Accessories

mm
C



ECE

4 Input Shaft

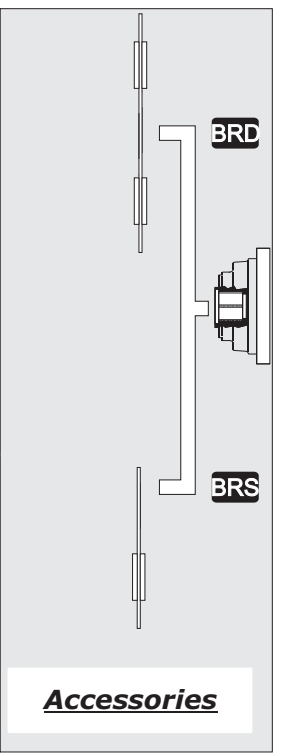
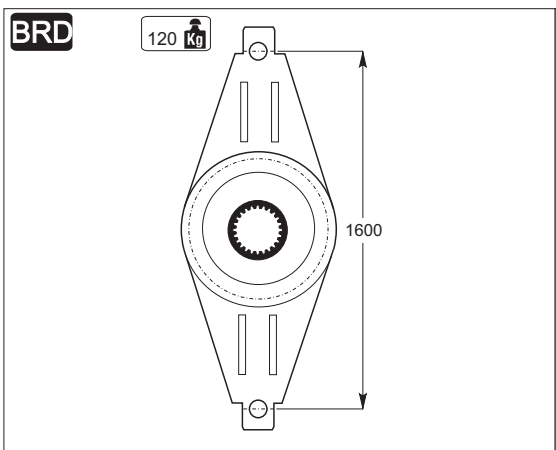
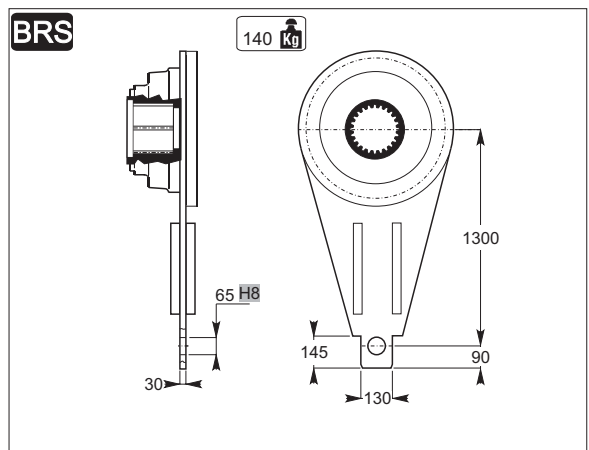
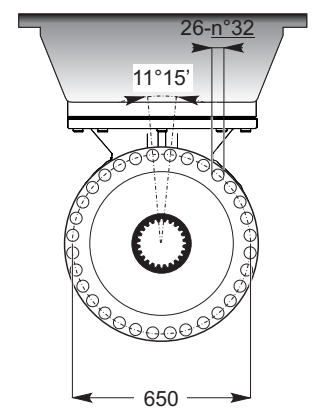
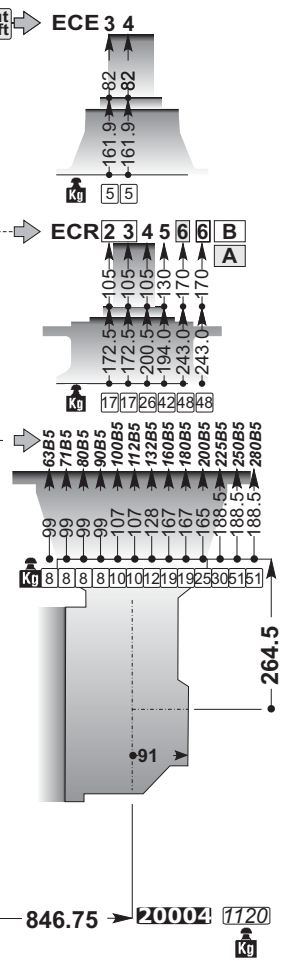
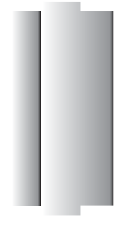
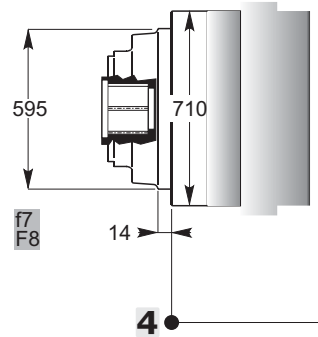
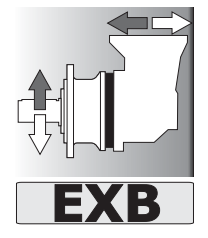
ECE 3 4

Input Version

ECR

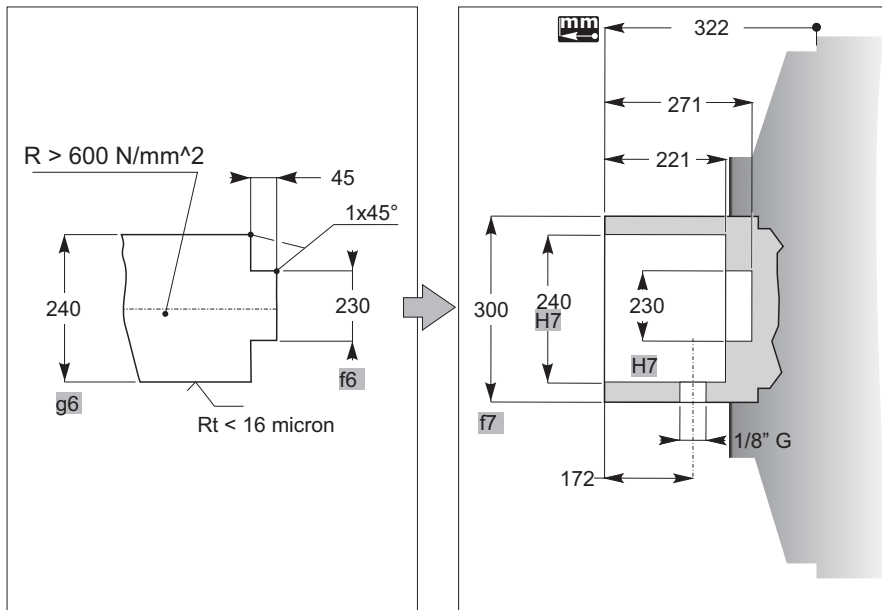
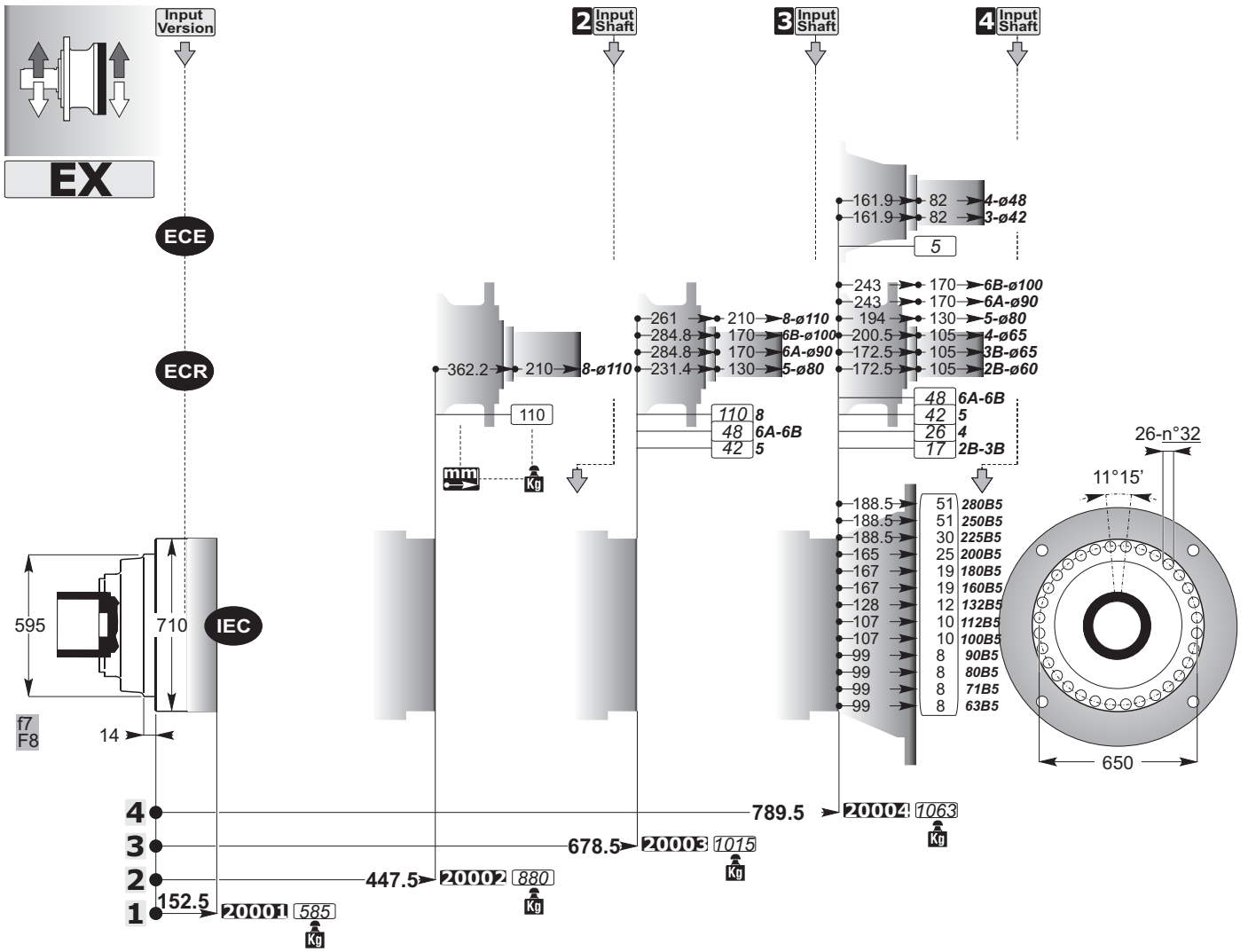
ECR 2 3 4 5 6 6 B A

IEC



mm
C

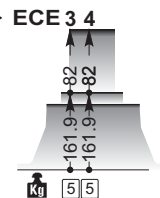
Accessories



Output Shafts

ECE

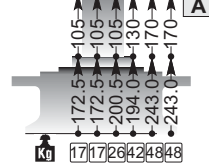
4 Input Shaft → ECE 3 4



Input Version

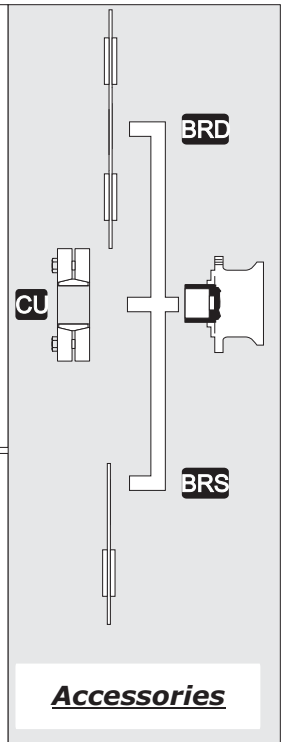
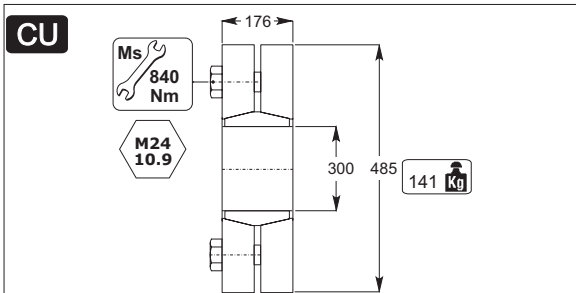
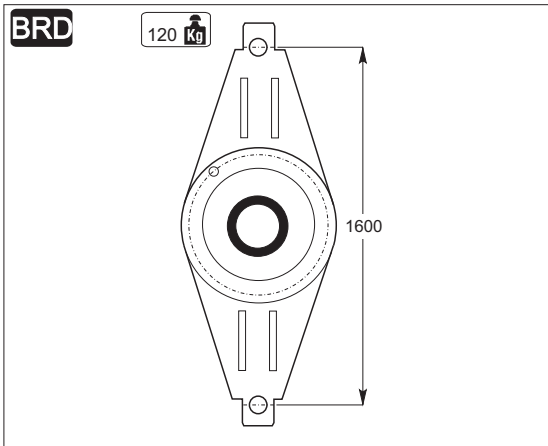
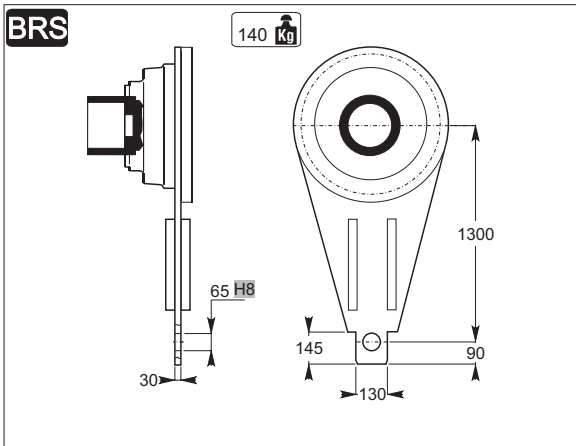
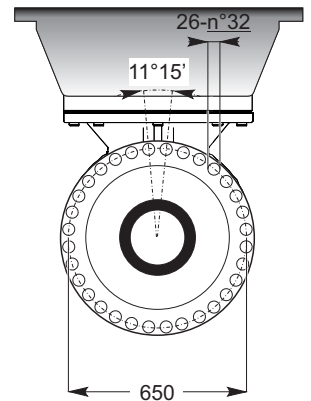
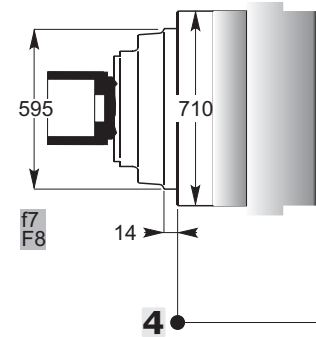
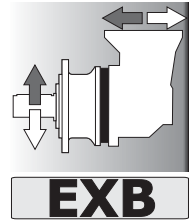
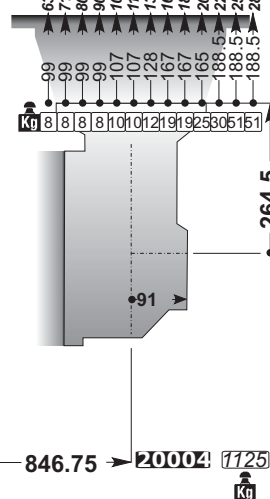
ECR

→ ECR 2 3 4 5 6 6 B A

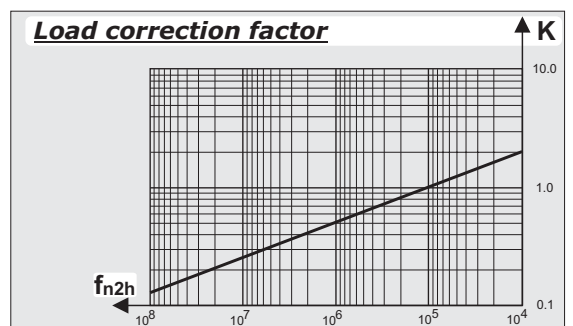
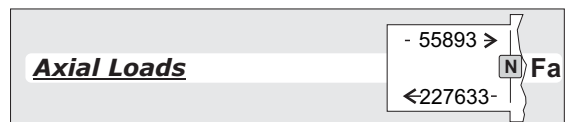
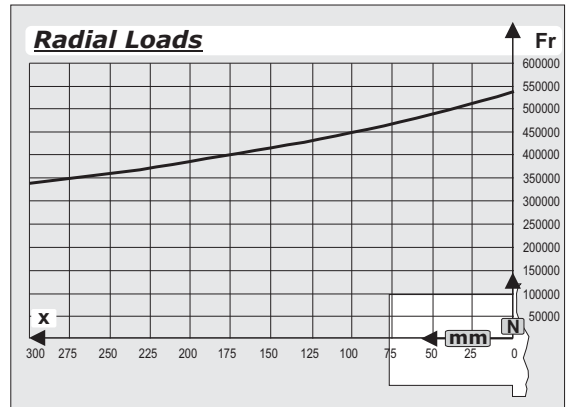
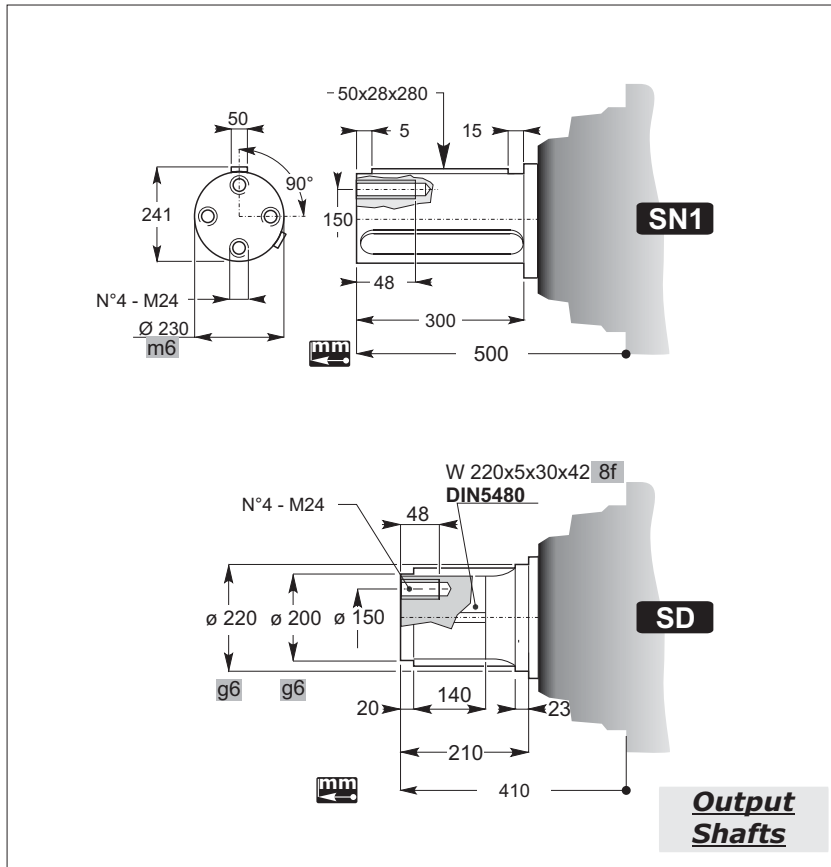
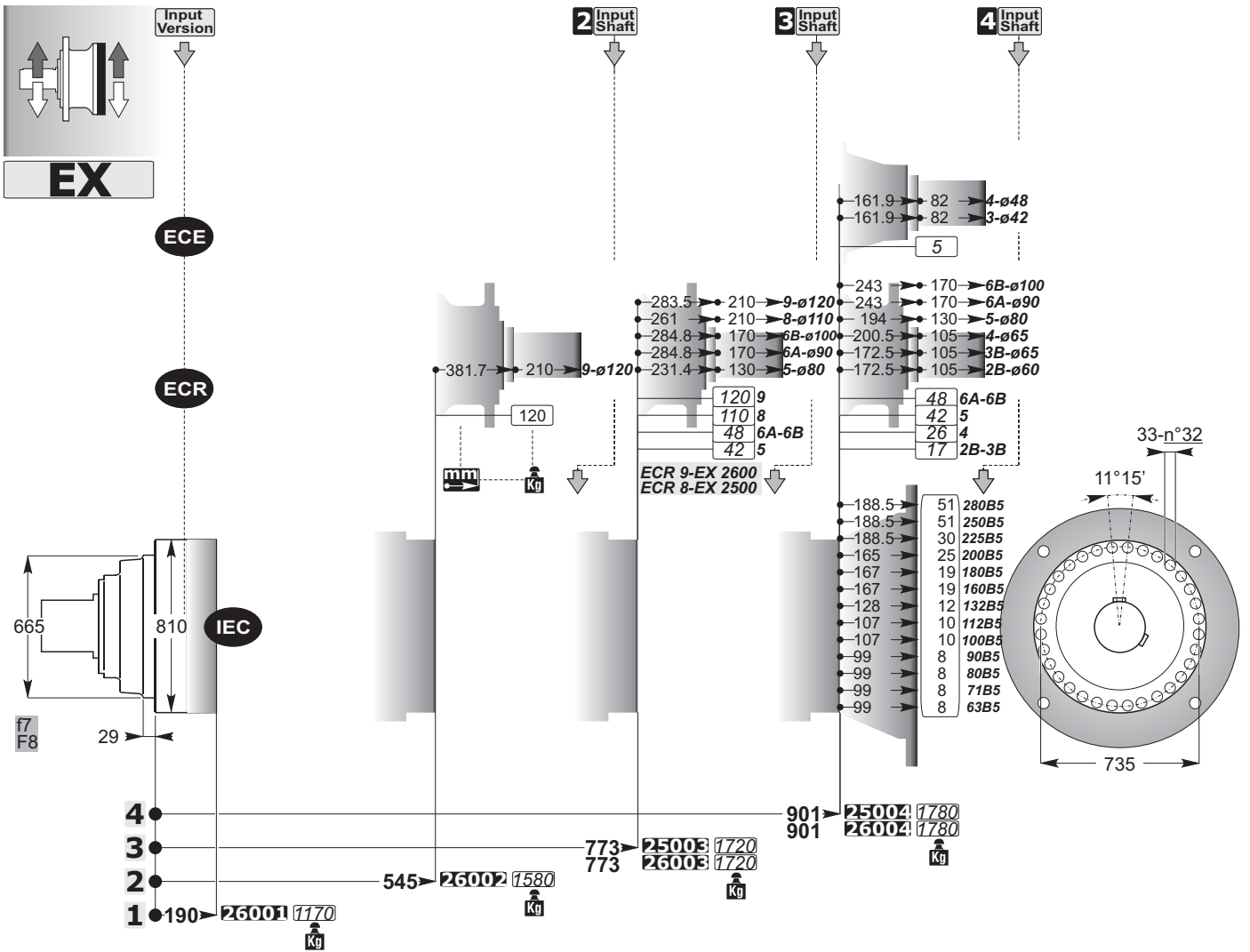


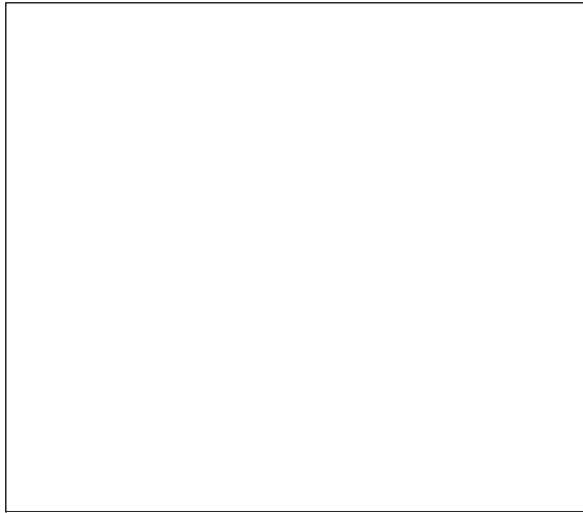
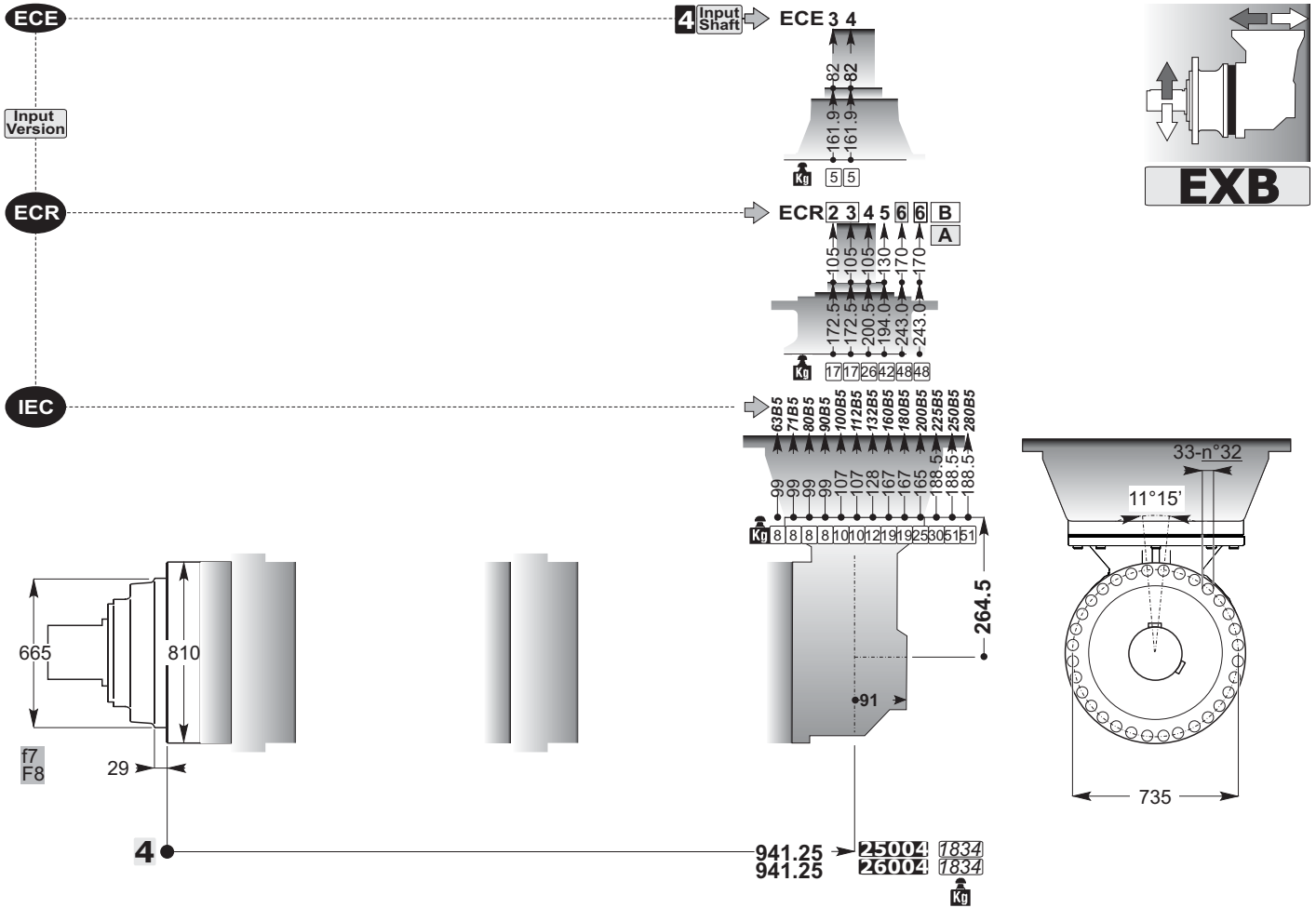
IEC

→ IEC 63B5 71B5 80B5 100B5 112B5 132B5 160B5 167 188.5 200B5 225B5 250B5 280B5



mm
C



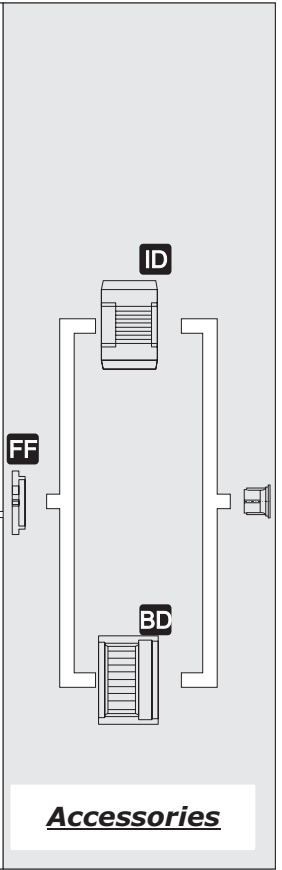
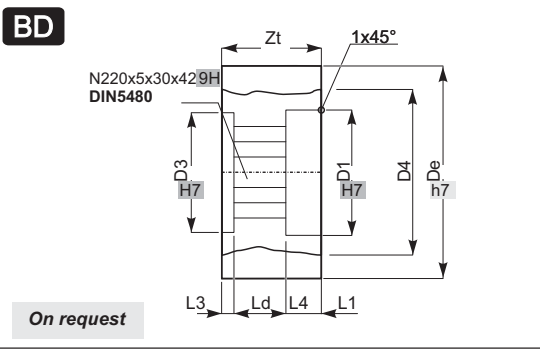
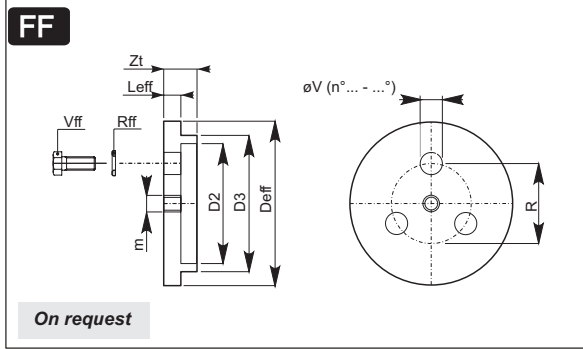


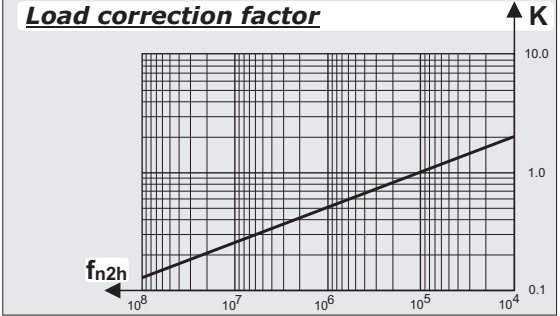
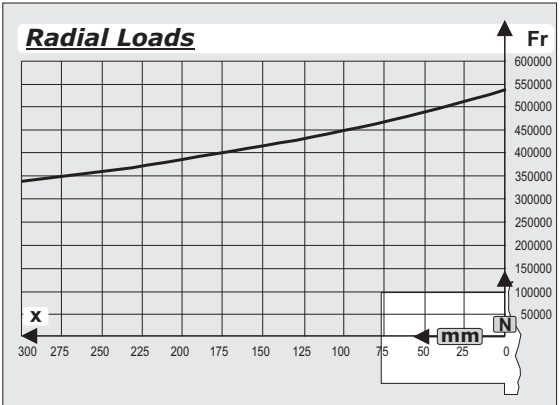
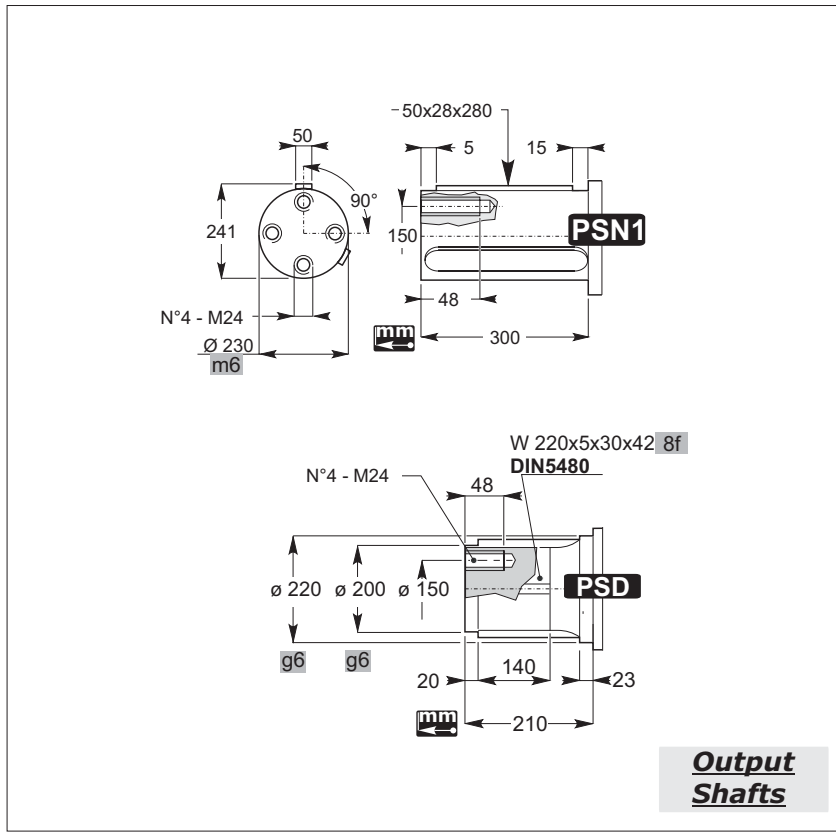
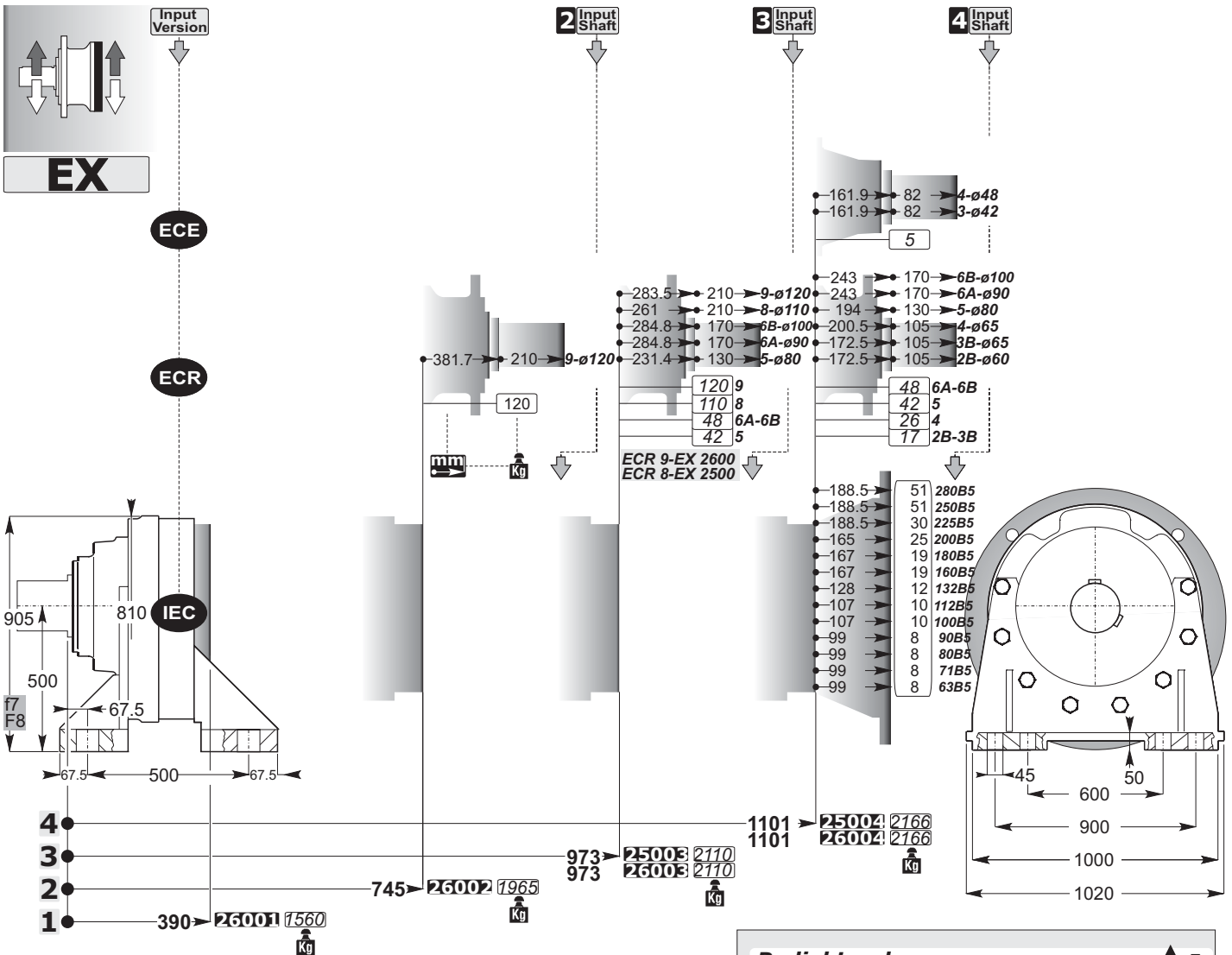
ID

N 220x5x30x42 9H
DIN5480

ID	m	Z	X	De

On request

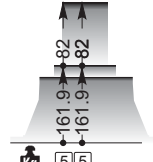




ECE

4 Input Shaft

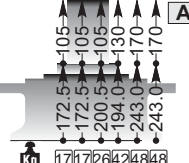
ECE 3 4



Input Version

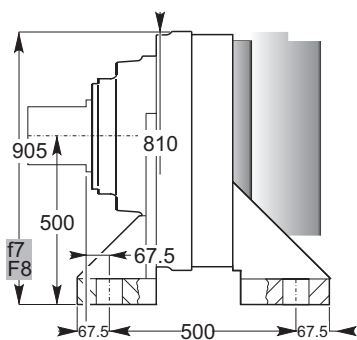
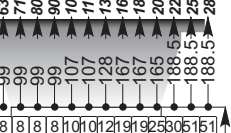
ECR

ECR 2 3 4 5 6 6 A B



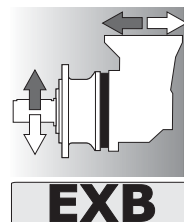
IEC

63B5 71B5 80B5 90B5 100B5 112B5 132B5 160B5 167 165 200B5 225B5 250B5 280B5

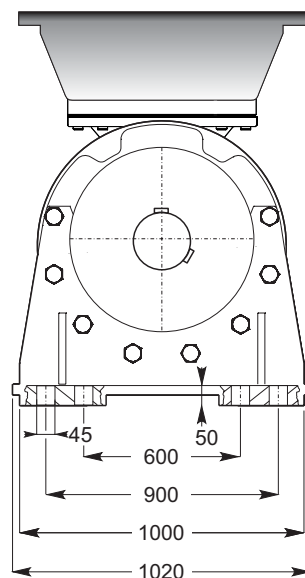


4

1141.25
1141.25
25004
26004
2220
2220
Kg

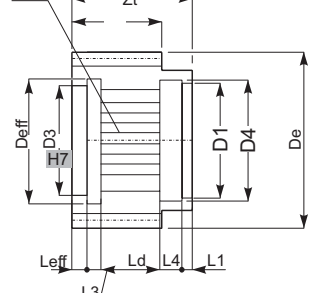


EXB



ID

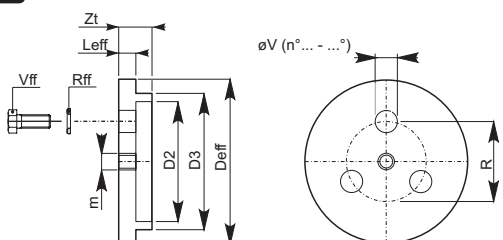
N 220x5x30x42 9H
DIN5480



	m	Z	X	De
ID	-	-	-	-

On request

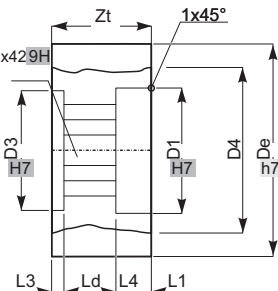
FF



On request

BD

N220x5x30x42 9H
DIN5480



On request

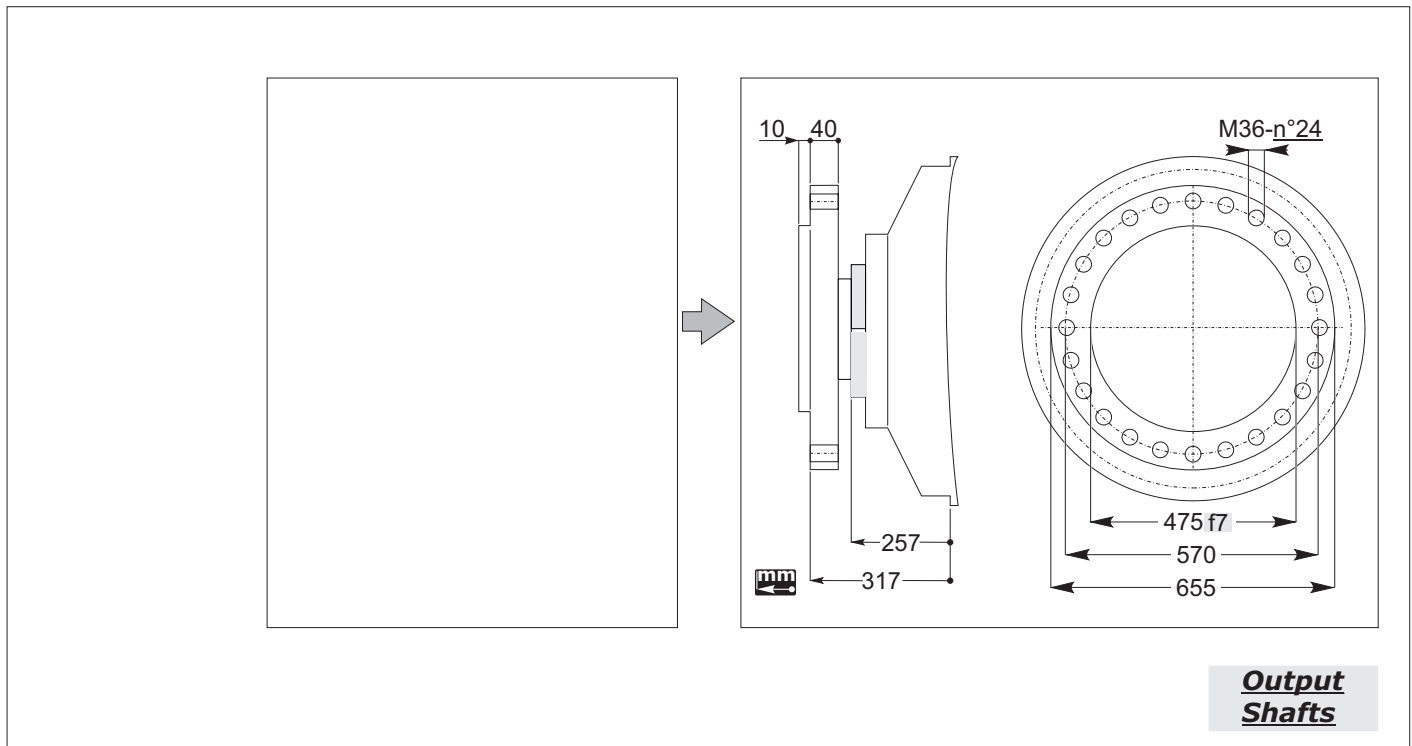
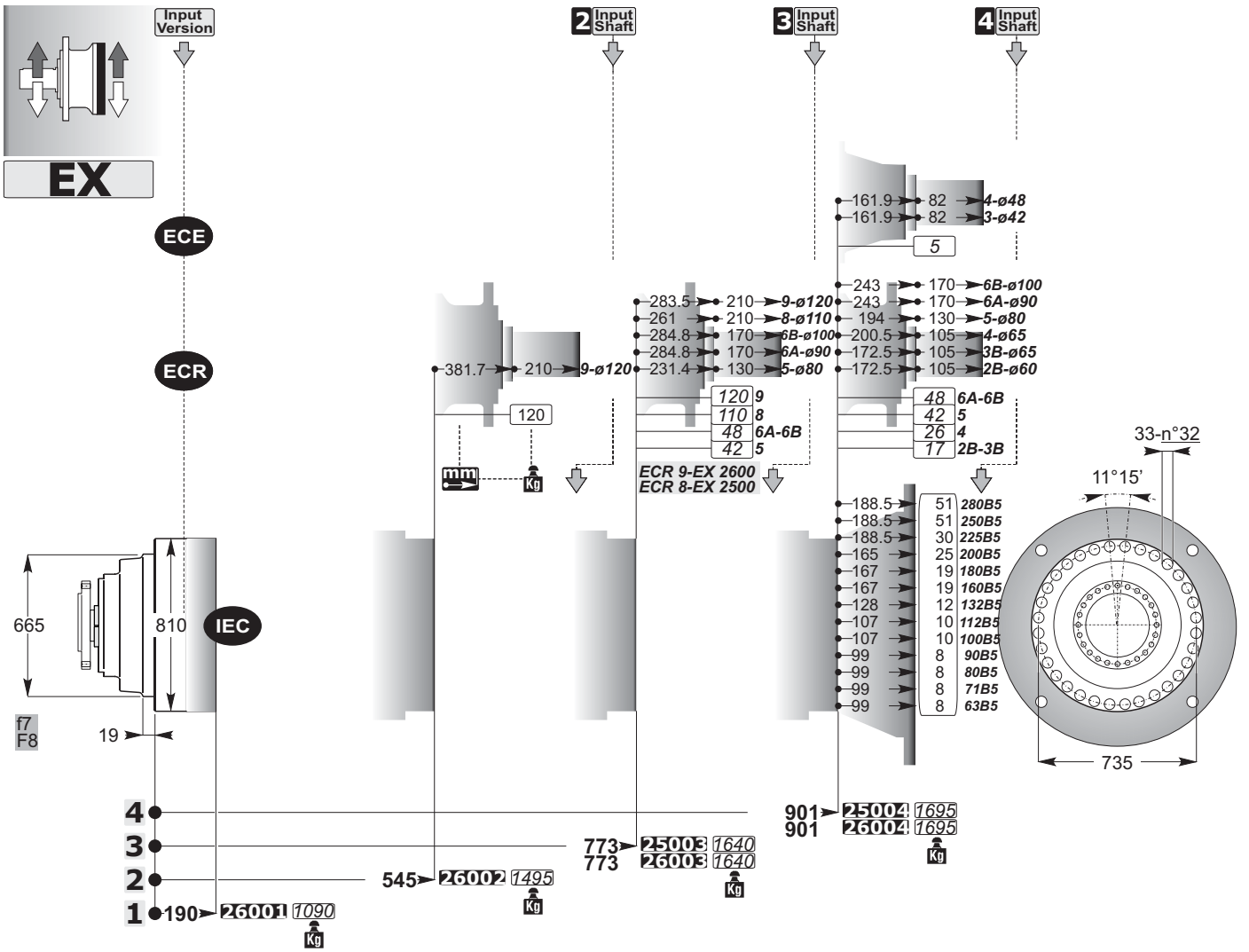
FF

ID

BD

Accessories

mm
C



ECE

4 Input Shaft →

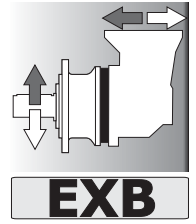
ECE 3 4

Input Version

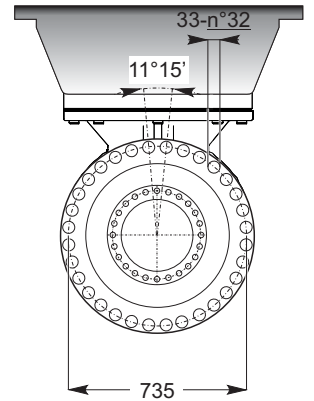
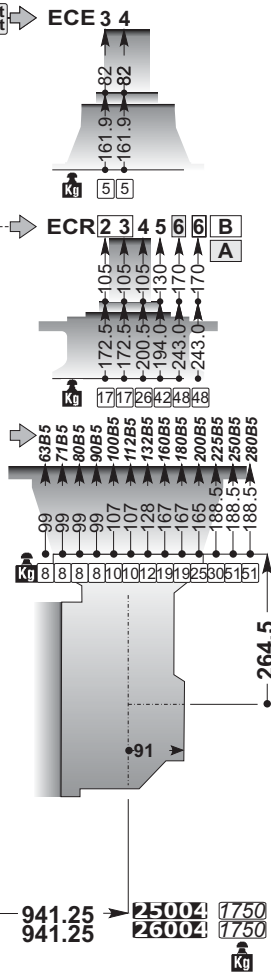
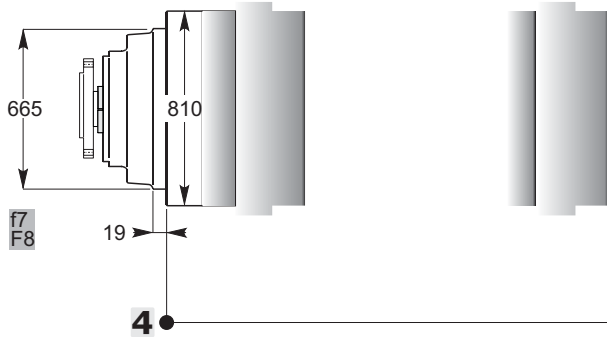
ECR

→ ECR 2 3 4 5 6 6 B A

IEC

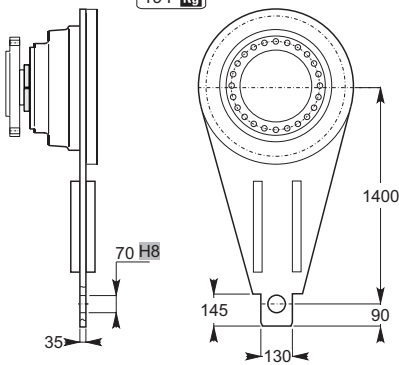


EXB



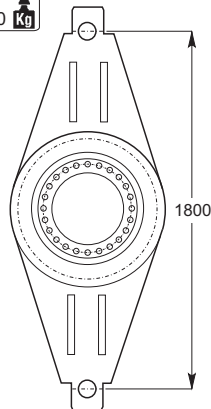
BRS

194 Kg



BRD

160 Kg



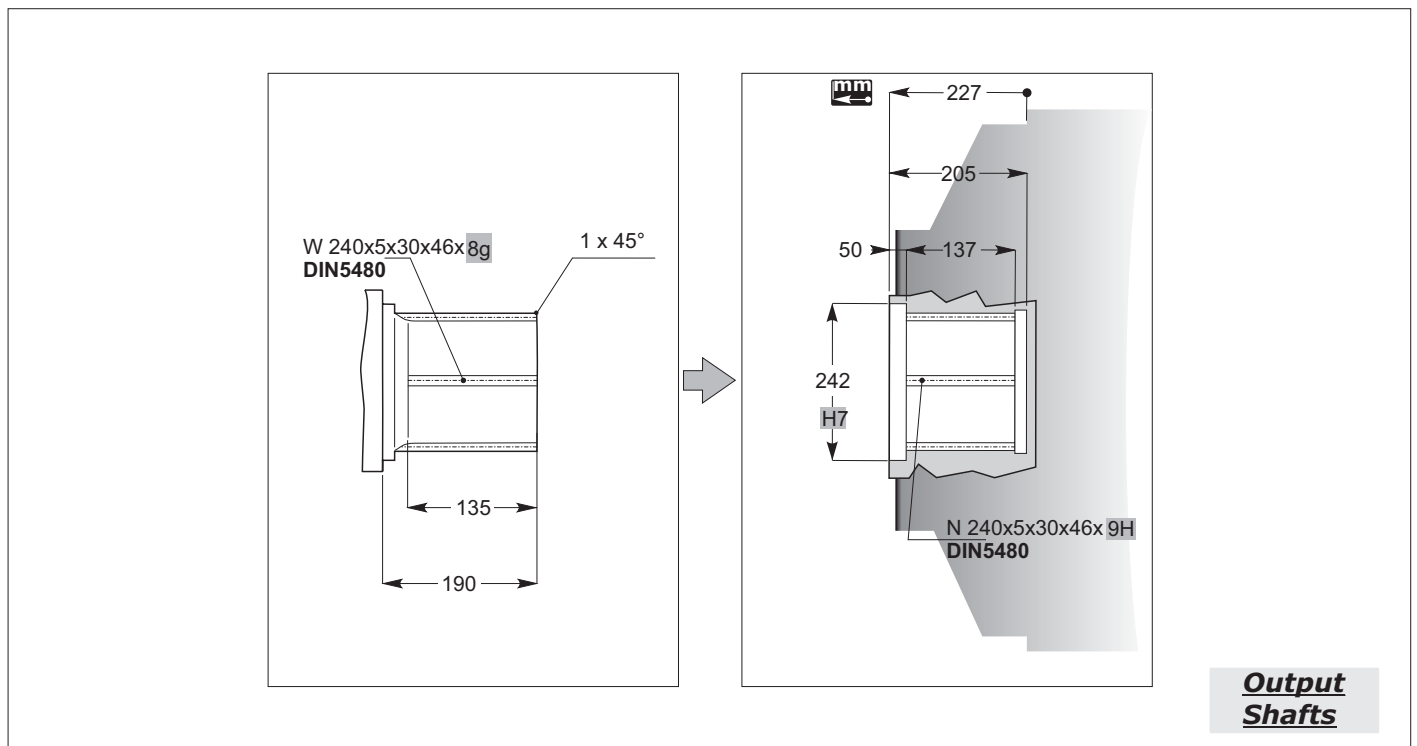
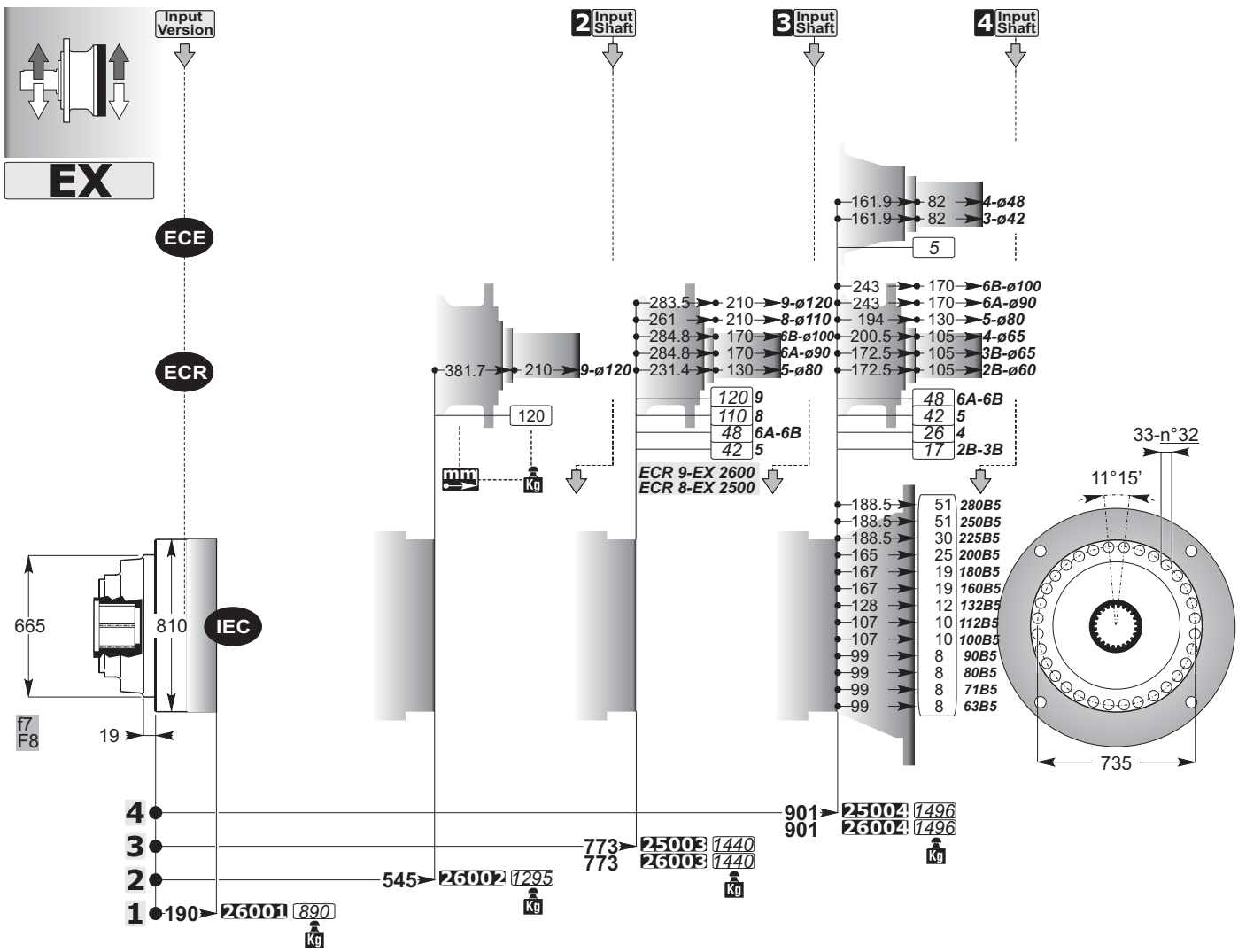
mm

C

BRD

BRS

Accessories



ECE

4 Input Shaft

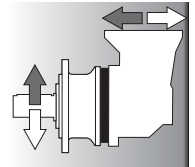
ECE 3 4

Input Version

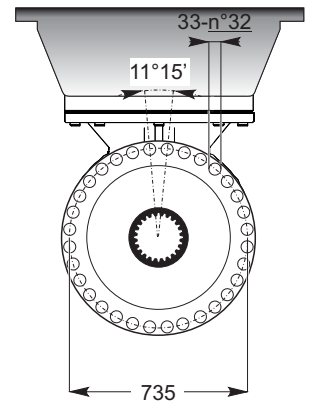
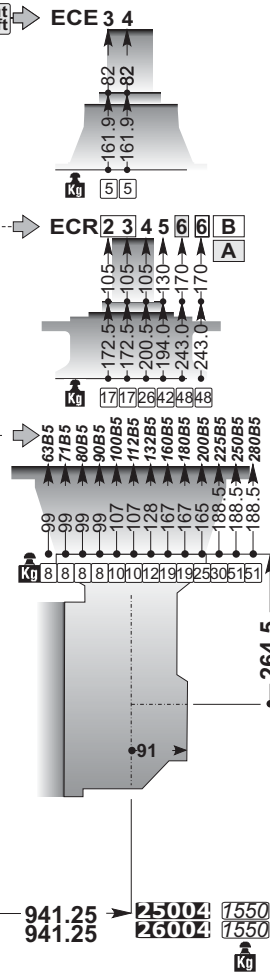
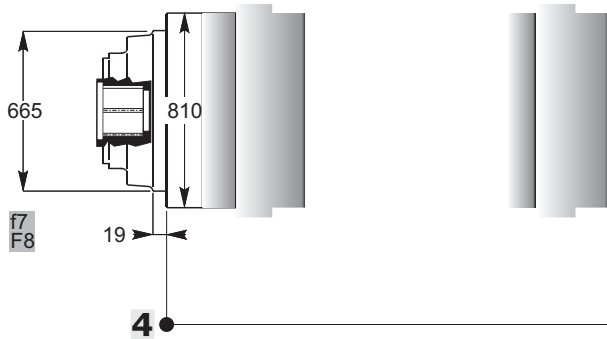
ECR

ECR 2 3 4 5 6 6 B A

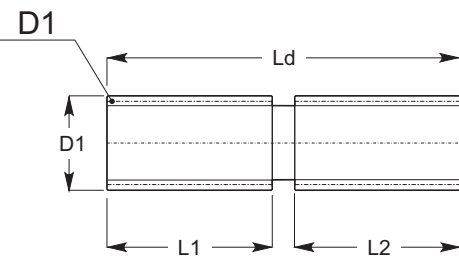
IEC



EXB



SD



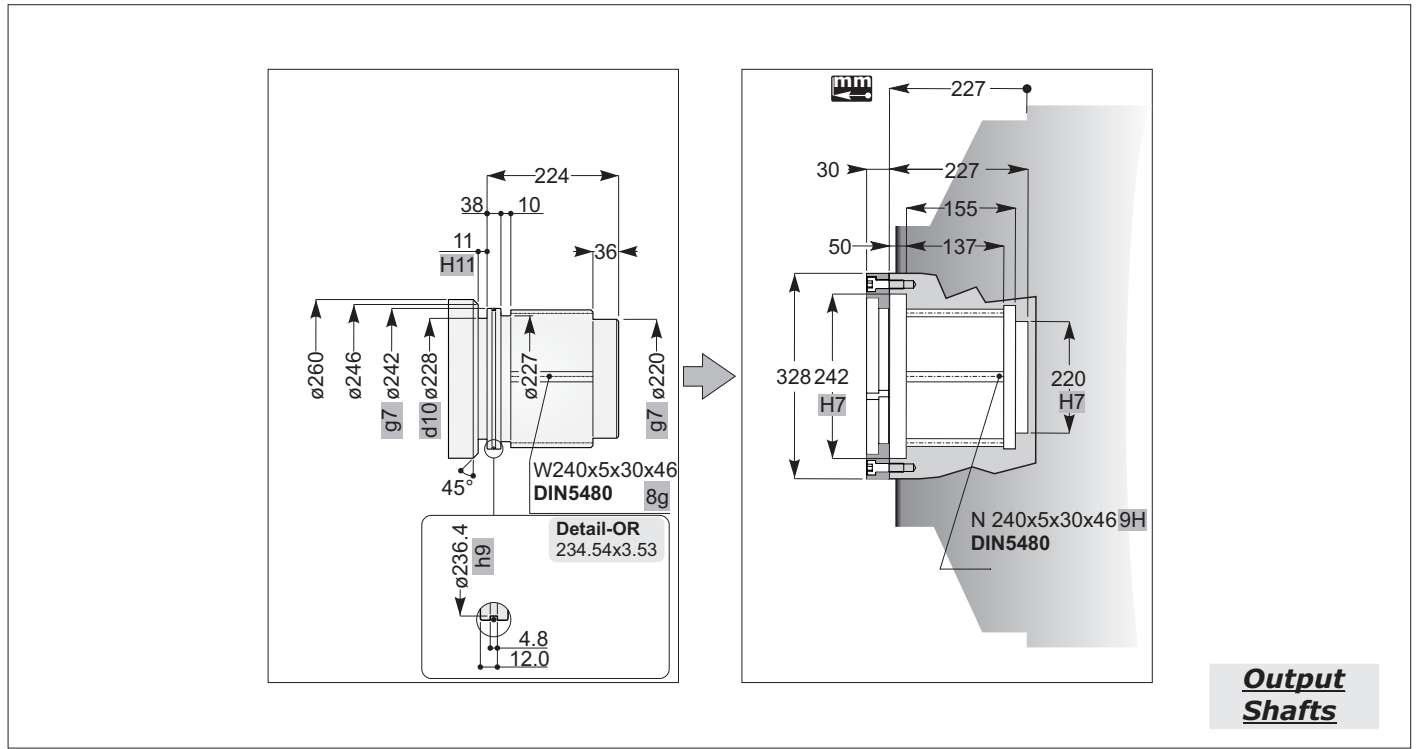
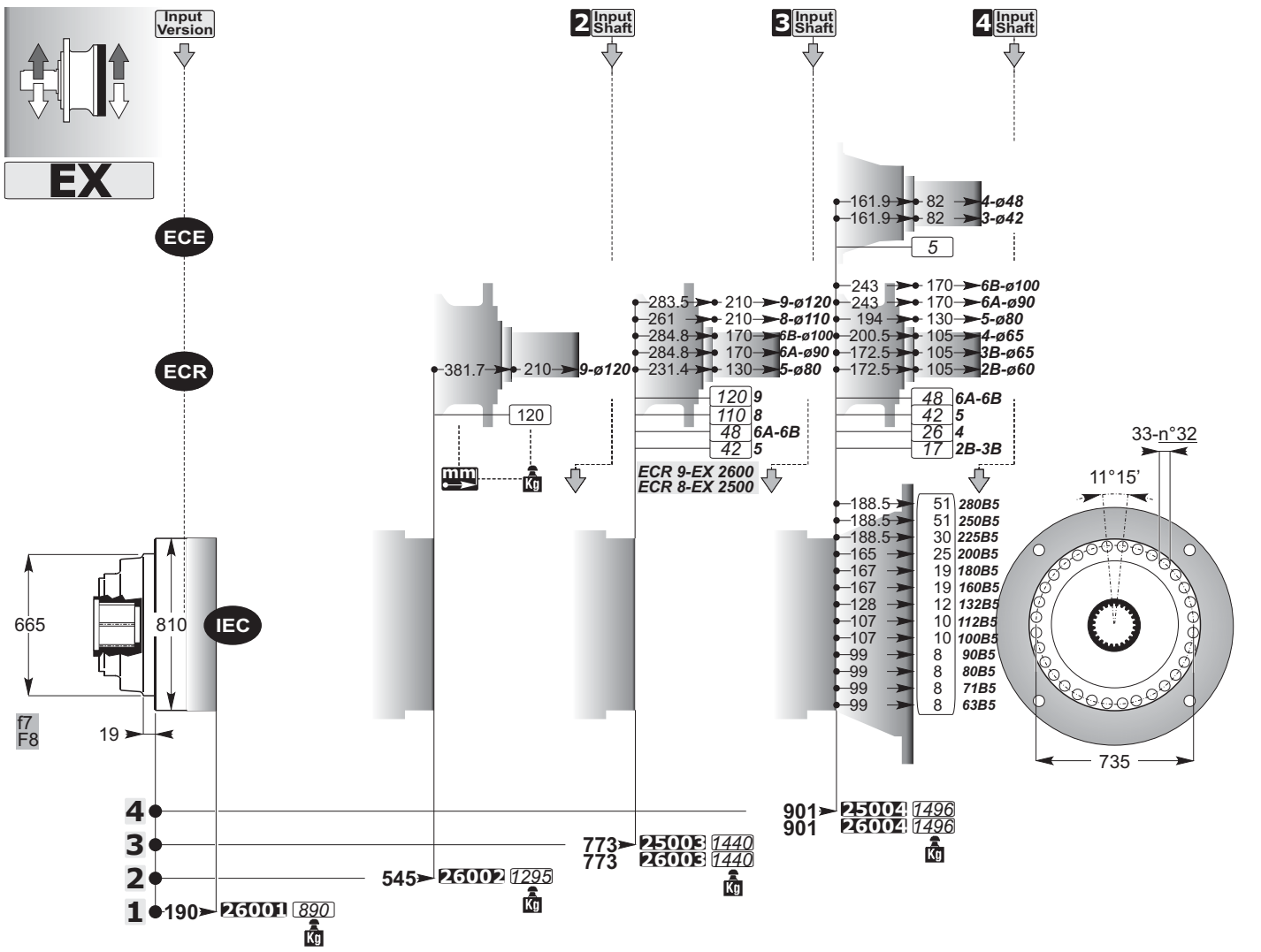
On request

SD



Accessories

mm
C

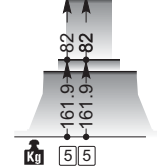


Output Shafts

ECE

4 Input Shaft →

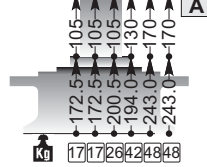
ECE 3 4



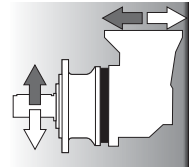
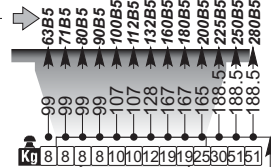
Input Version

ECR

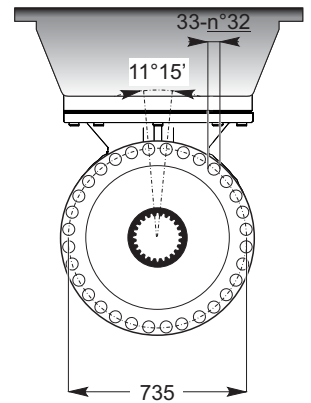
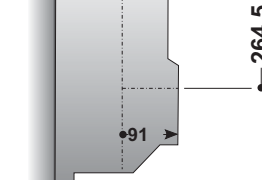
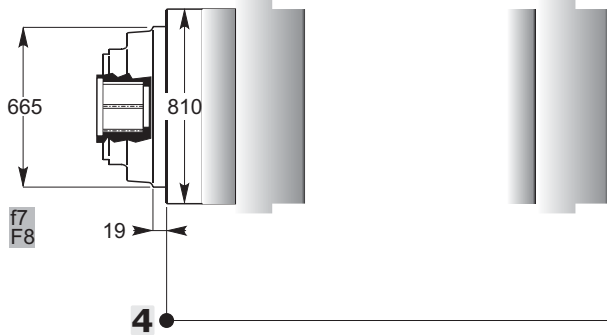
→ **ECR 2 3 4 5 6 6 B A**



IEC



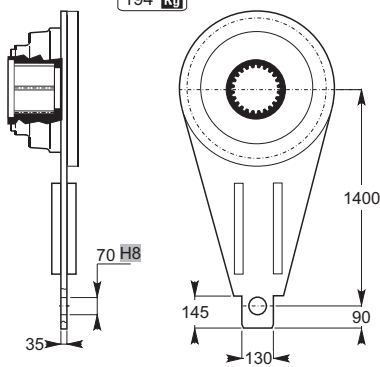
EXB



941.25	→	25004	1550
941.25	→	26004	1550

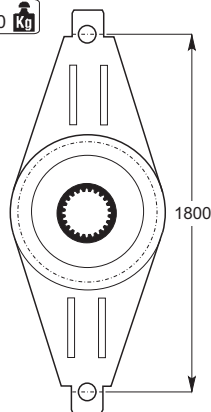
BRS

194 Kg



BRD

160 Kg

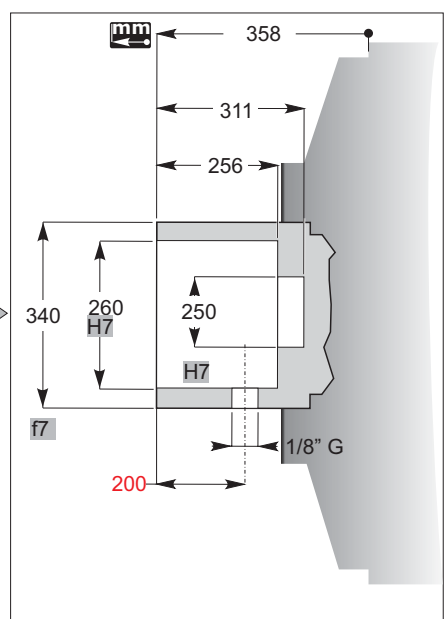
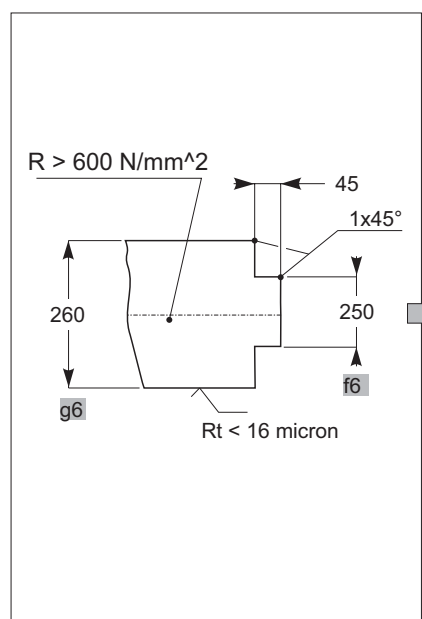
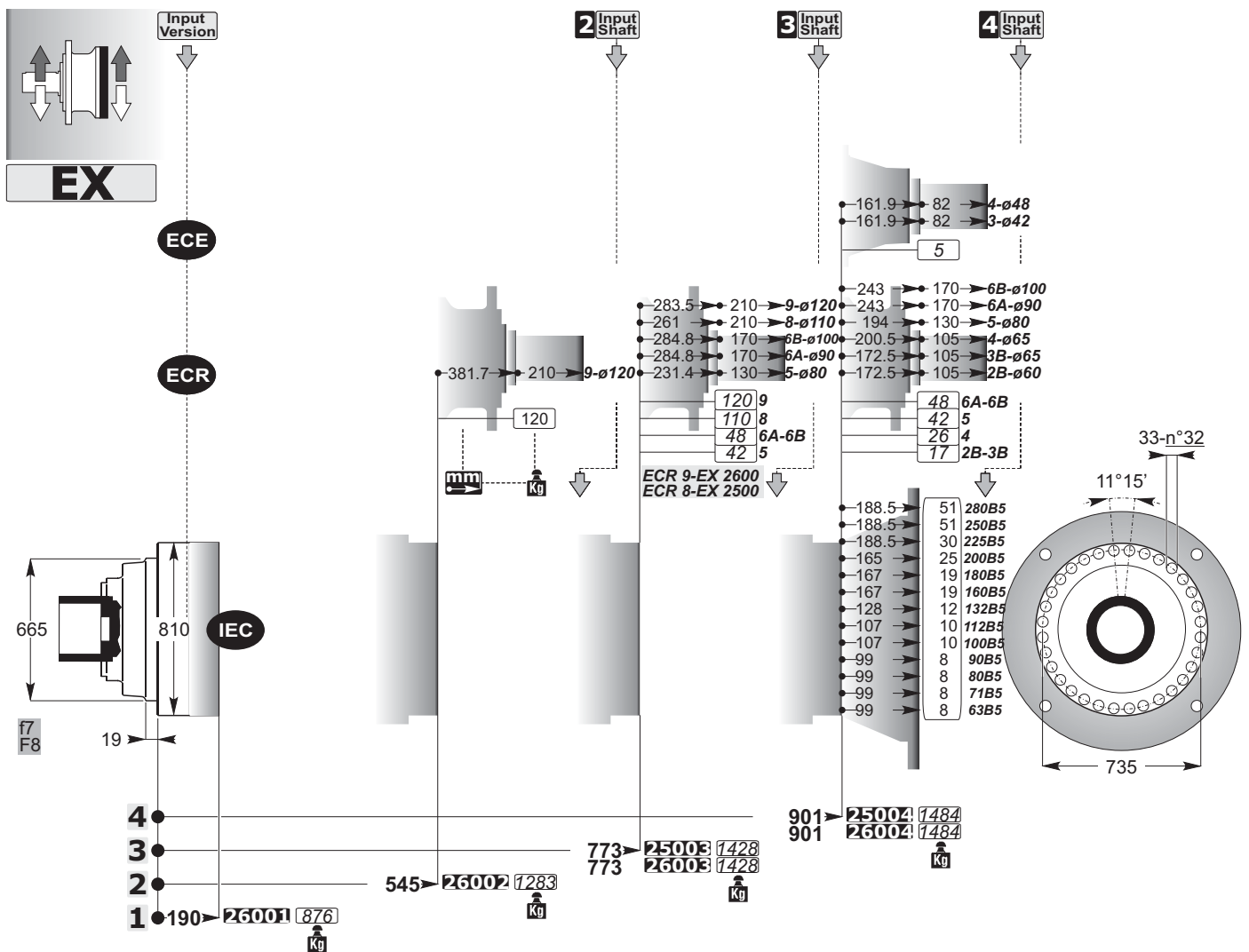


mm
C

BRD

BRS

Accessories



Output Shafts

ECE

4 Input Shaft

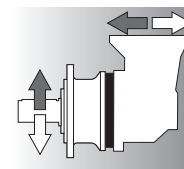
ECE 3 4

Input Version

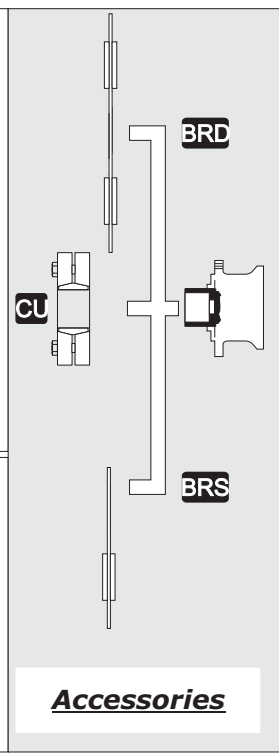
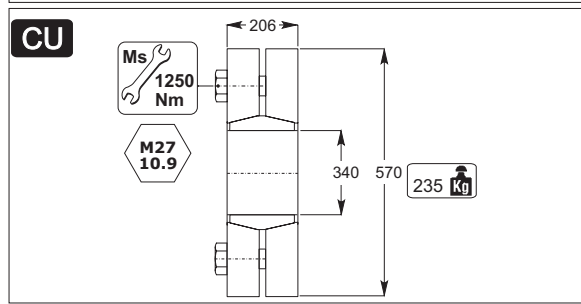
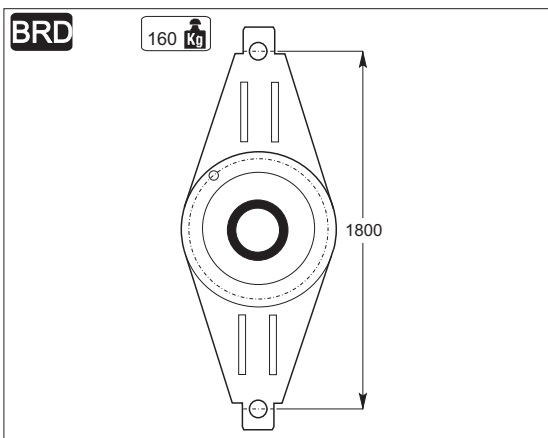
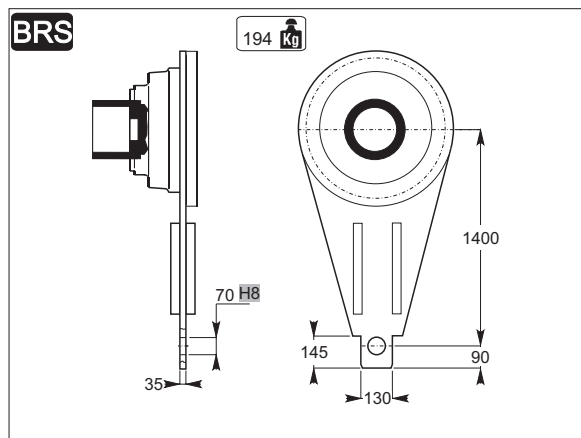
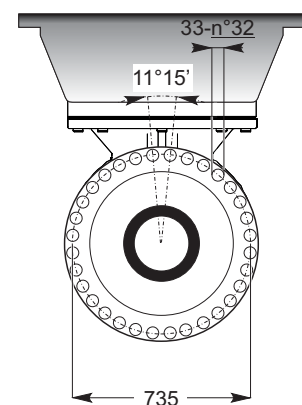
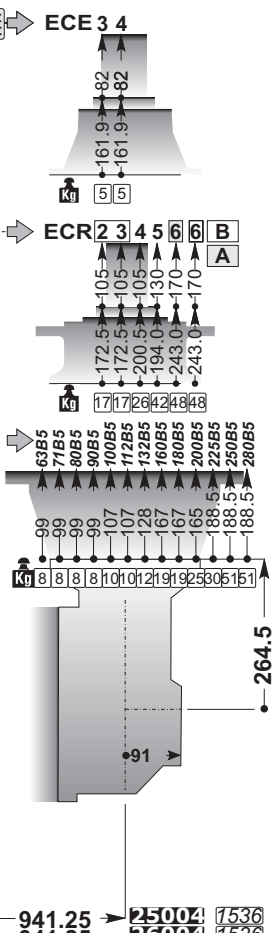
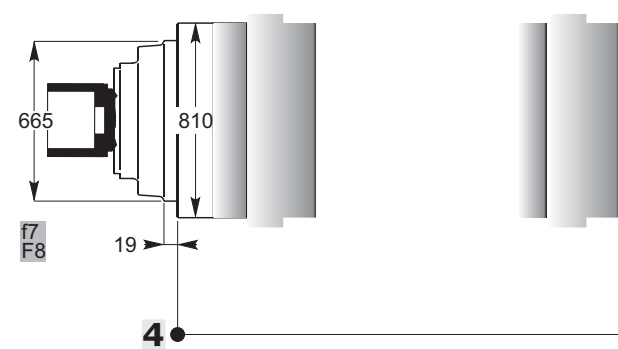
ECR

ECR 2 3 4 5 6 6 B A

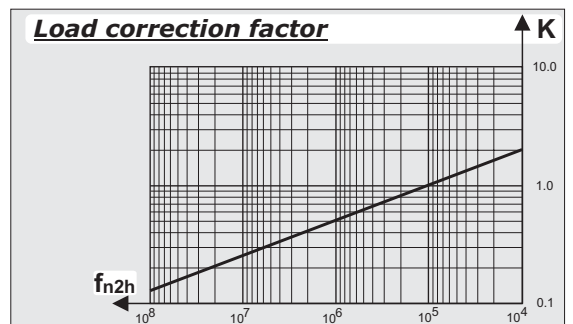
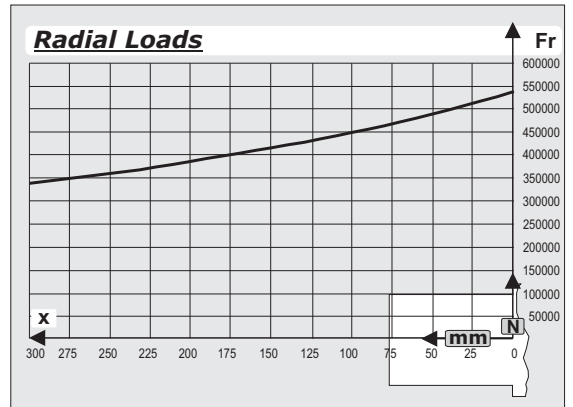
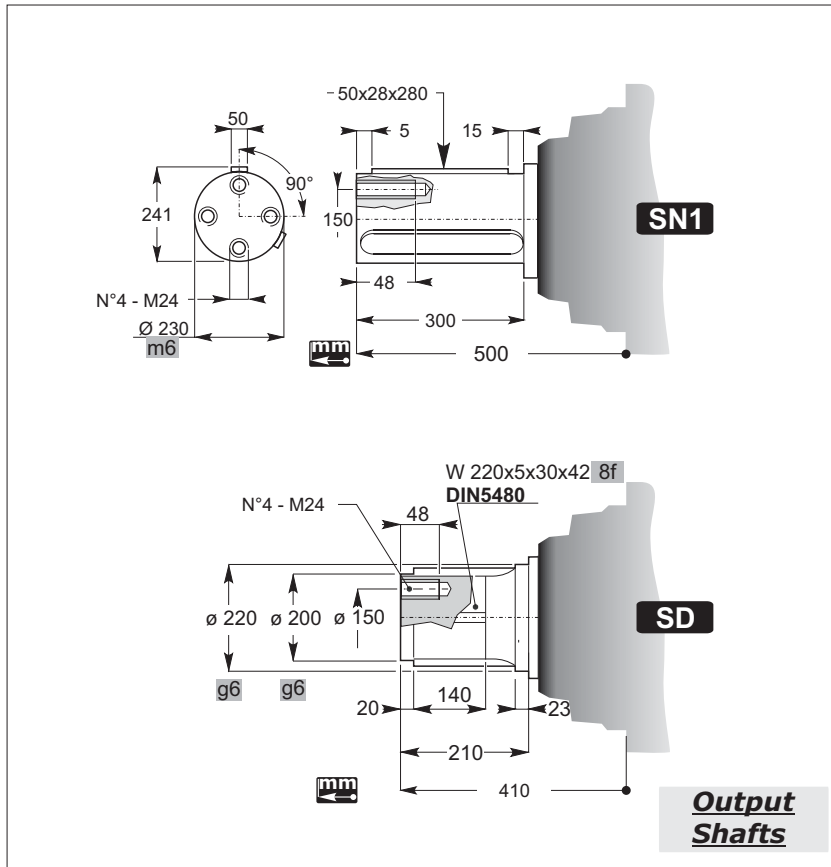
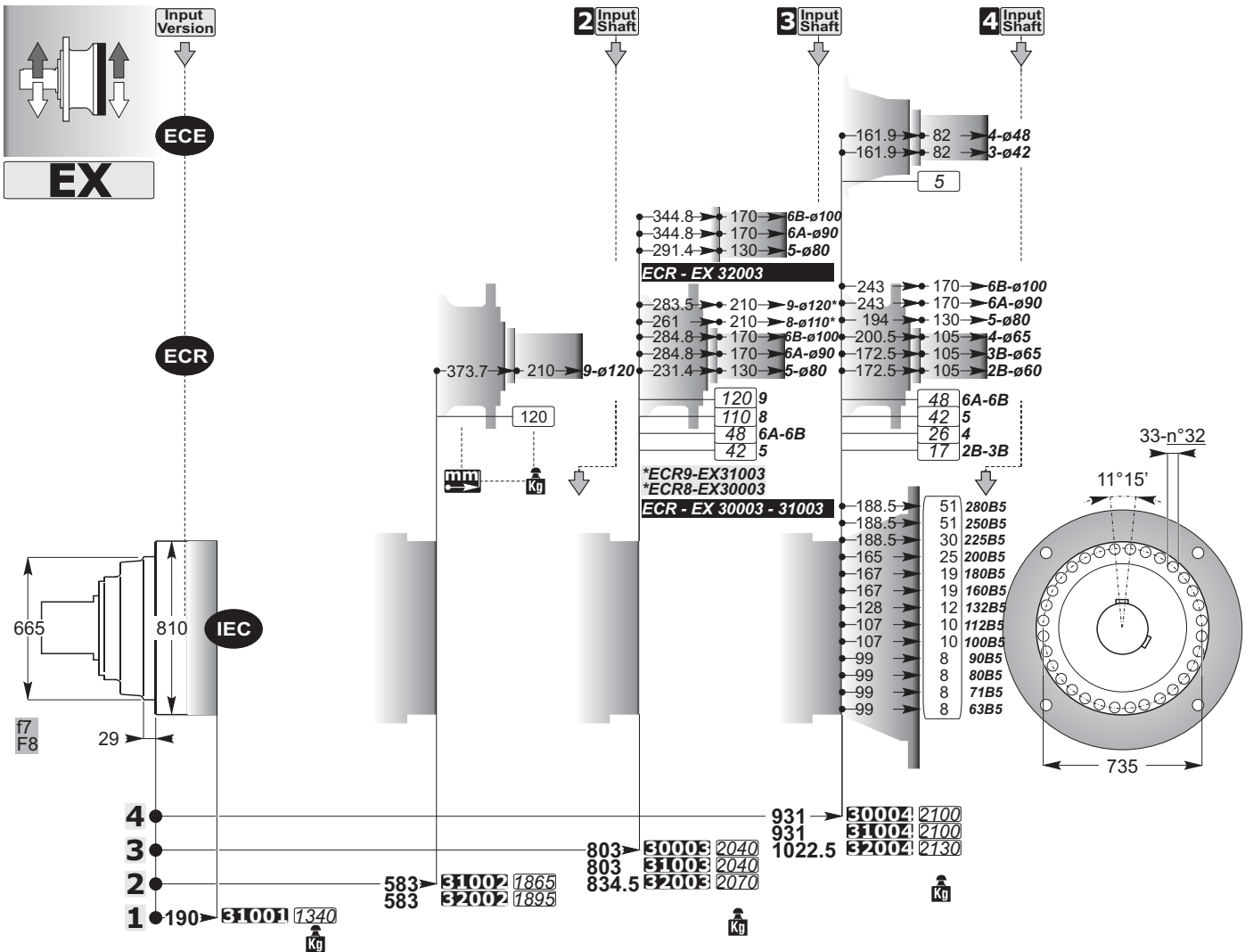
IEC



EXB



mm
C



ECE

4 Input Shaft → ECE 3 4

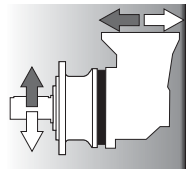
Input Version

ECR

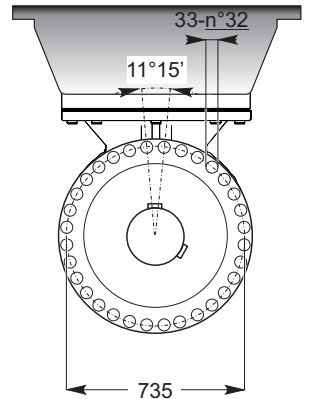
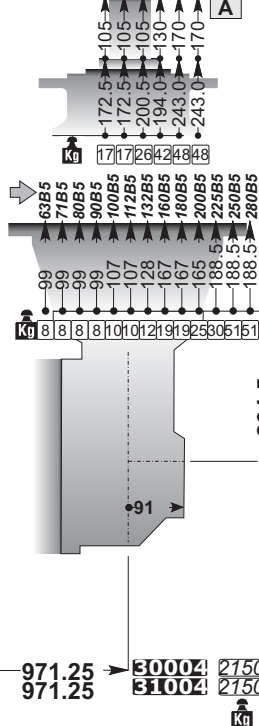
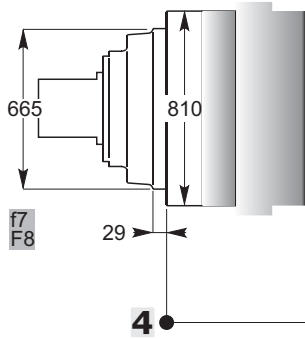
ECR 2 3 4 5 6 6 B

IEC

IEC 63B5 71B5 80B5 90B5 100B5 112B5 128B5 160B5 172B5 188B5 200B5 225B5 250B5 280B5



EXB

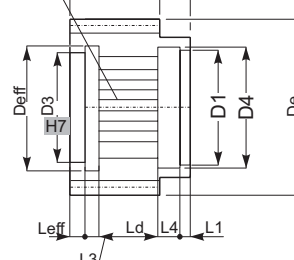


971.25	30004	2150
971.25	31004	2150

ID

N 220x5x30x42 9H

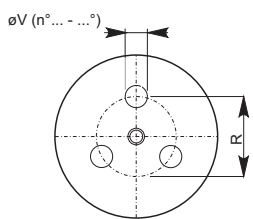
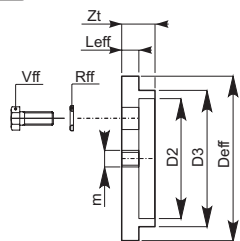
DIN5480



ID	m	Z	X	De

On request

FF

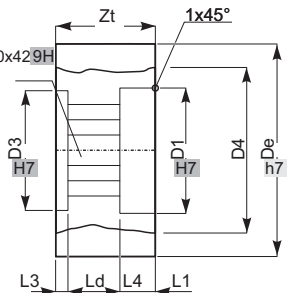


On request

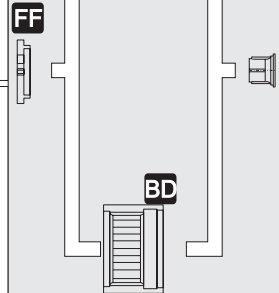
BD

N220x5x30x42 9H

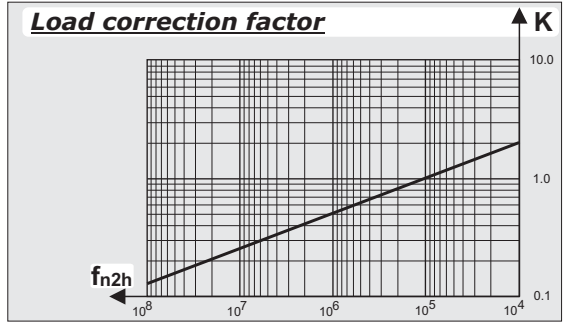
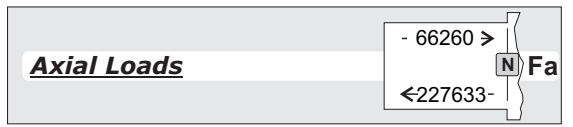
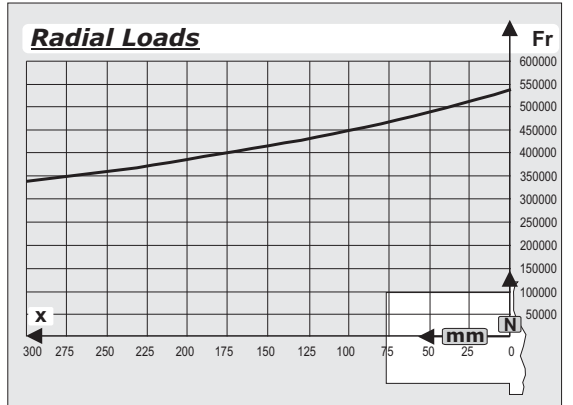
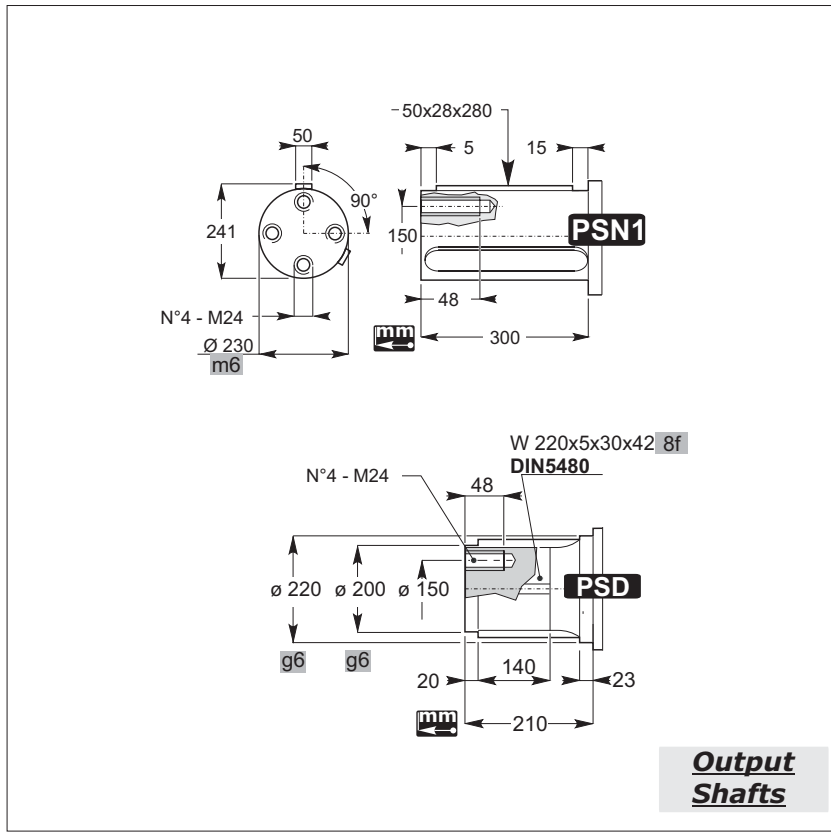
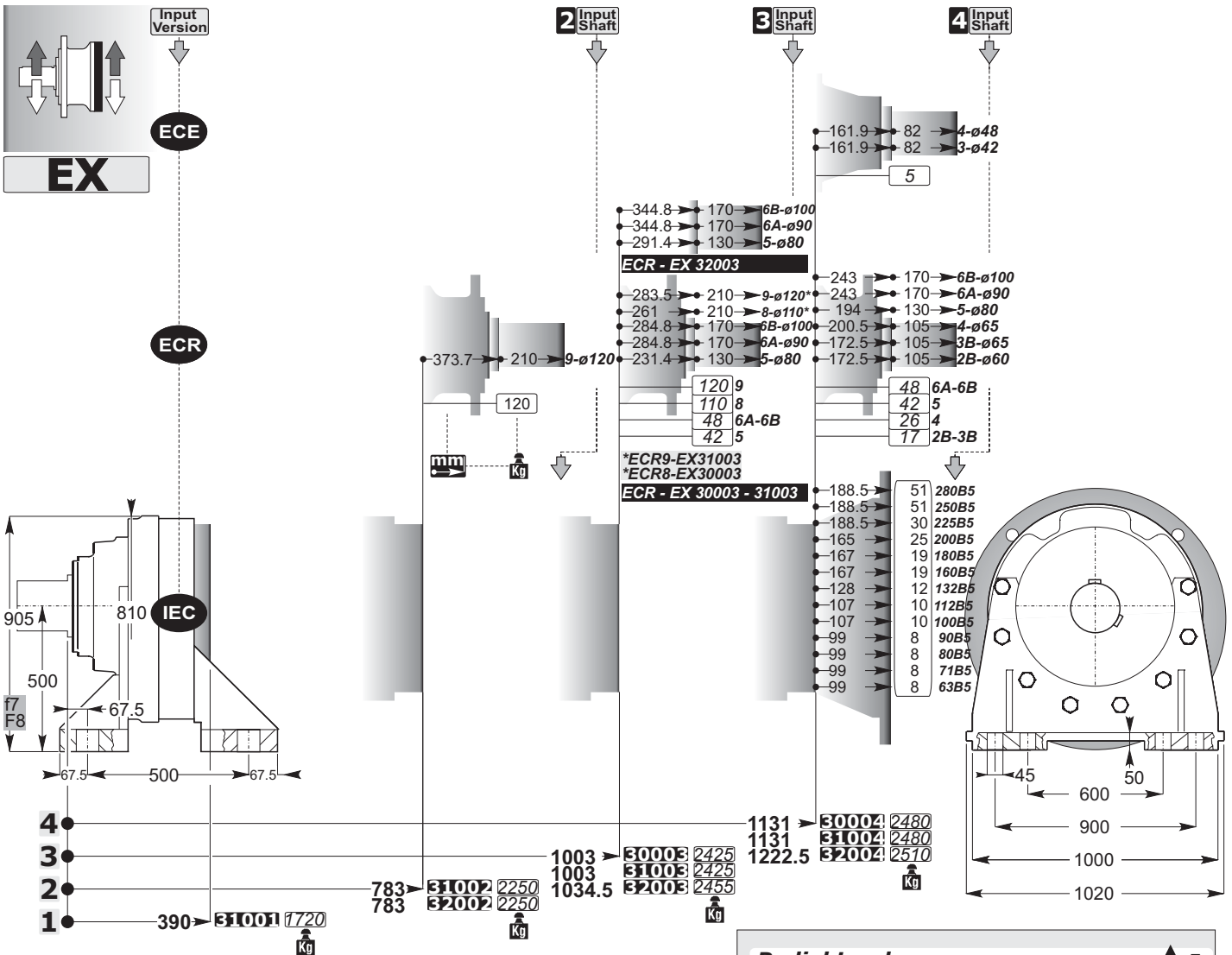
DIN5480



On request



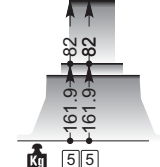
Accessories



ECE

4 Input Shaft

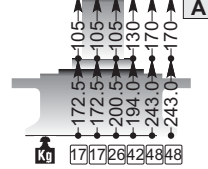
ECE 3 4



Input Version

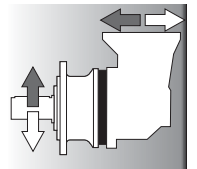
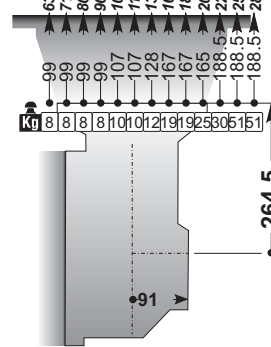
ECR

ECR 2 3 4 5 6 6 B

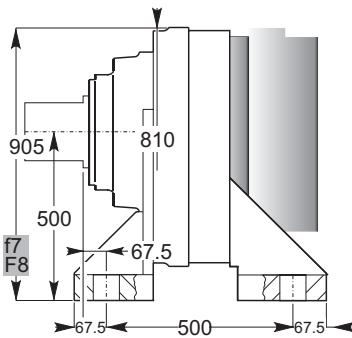


IEC

IEC 63B5 71B5 90B5 90B5 100B5 112B5 132B5 160B5 167 167 165 200B5 225B5 250B5 280B5

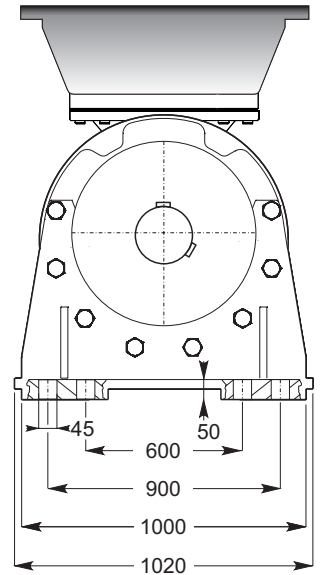


EXB



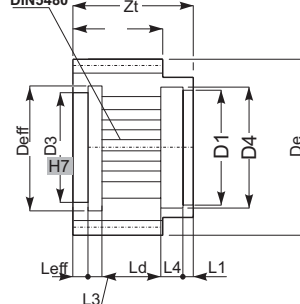
4

1171.25
1171.25
30004
31004
2534
2564
Kg



ID

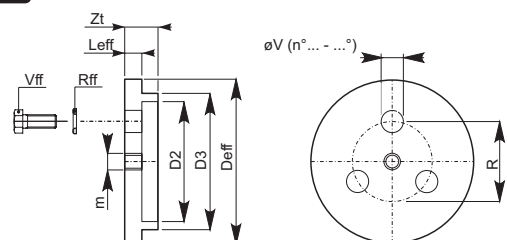
N 220x5x30x42 9H
DIN5480



	m	Z	X	De
ID	-	-	-	-

On request

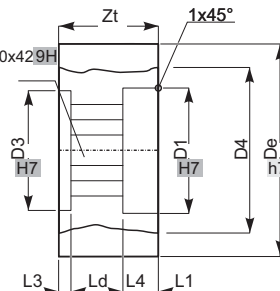
FF



On request

BD

N220x5x30x42 9H
DIN5480



On request

FF

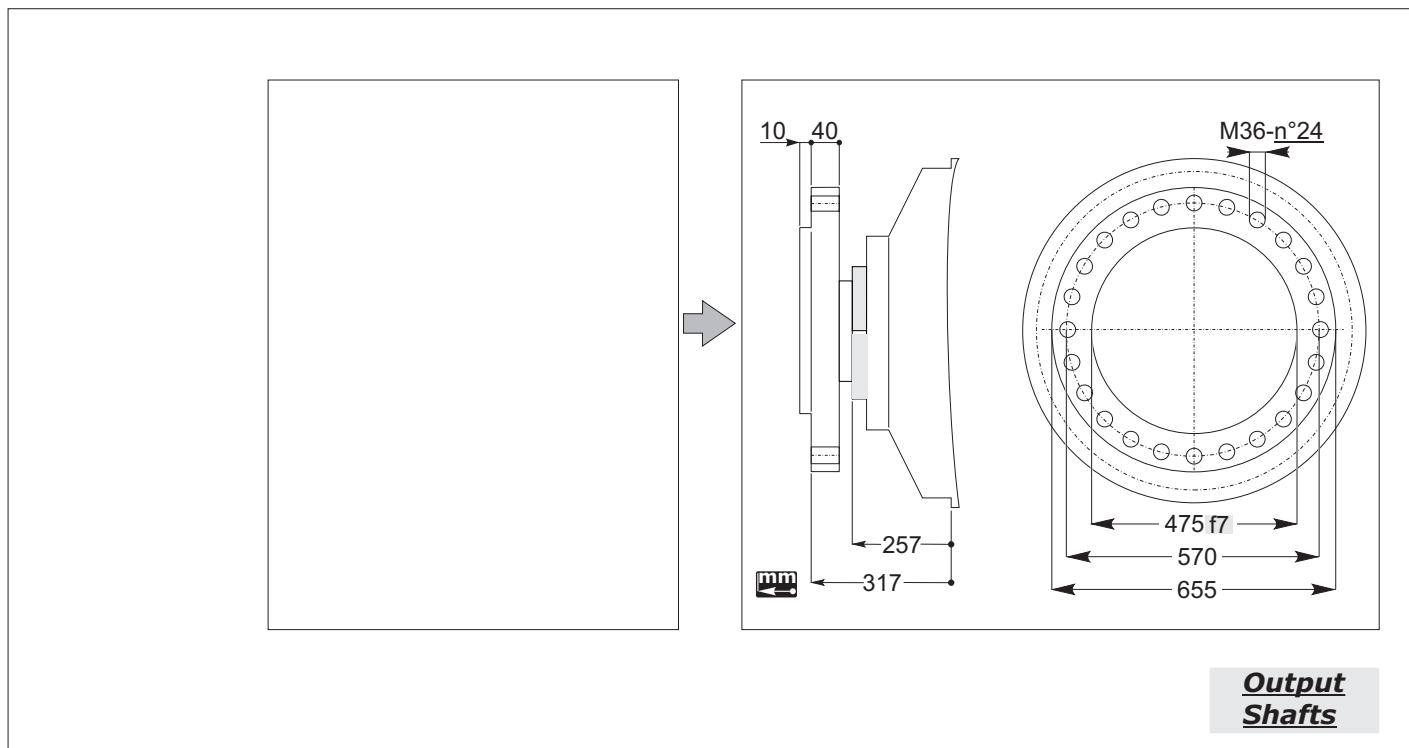
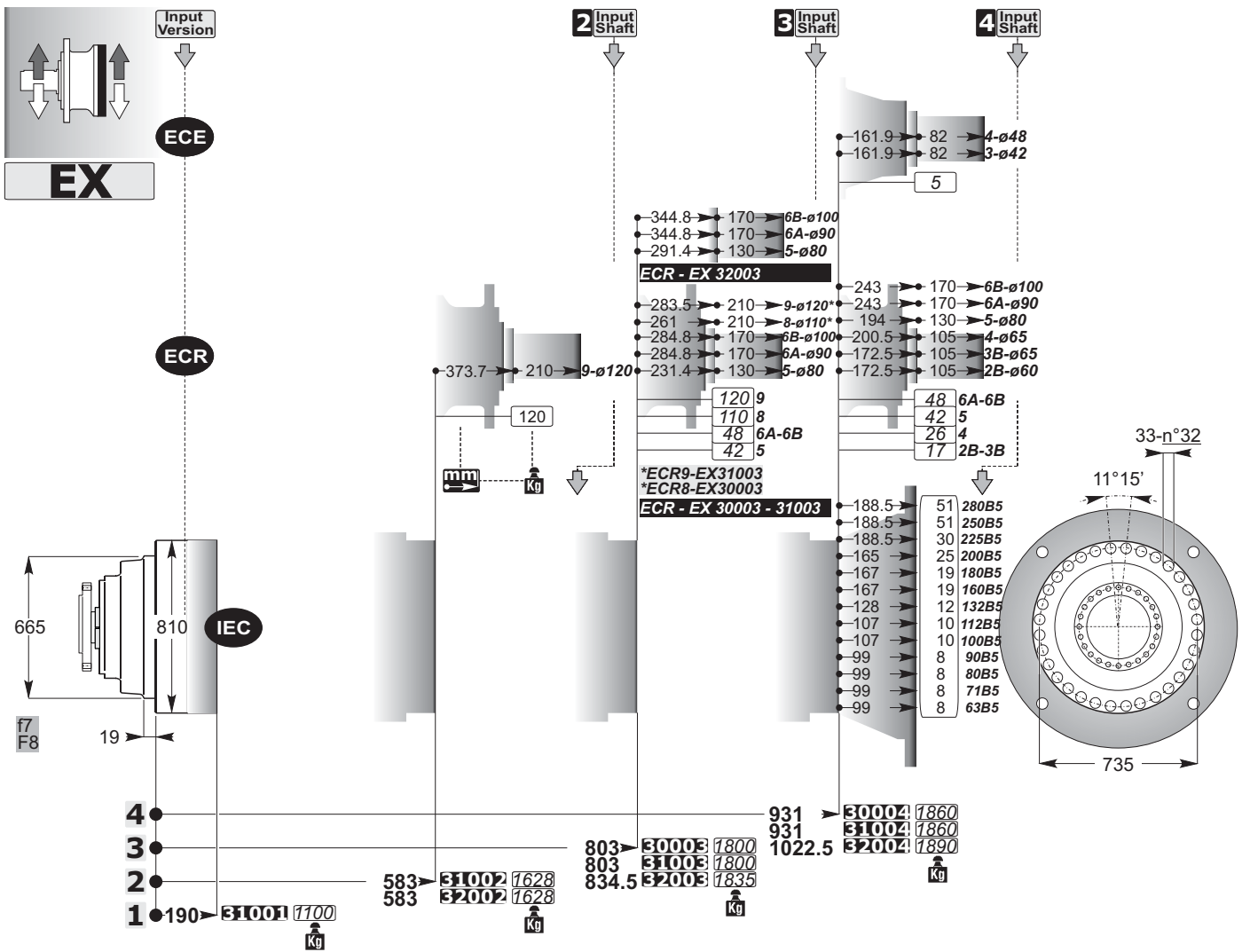
ID

BD

Accessories

mm

C



ECE

4 Input Shaft →

ECE 3 4

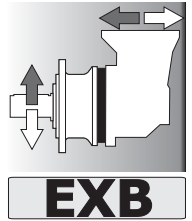
Input Version

ECR

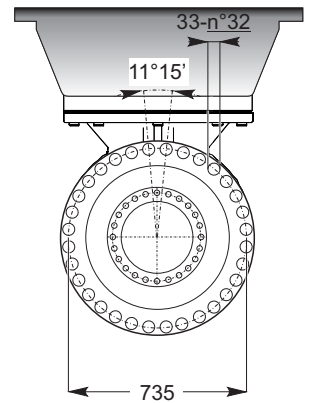
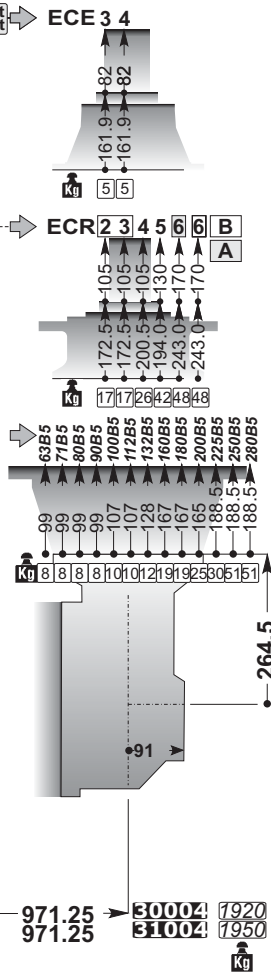
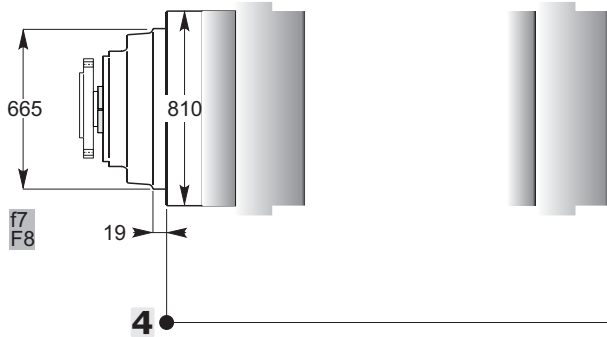
→ **ECR 2 3 4 5 6 6 B**

IEC

→



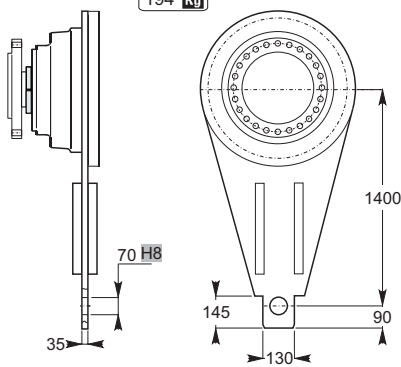
EXB



971.25	30004	1920
971.25	31004	1950

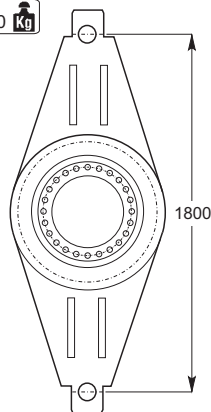
BRS

194 Kg



BRD

160 Kg



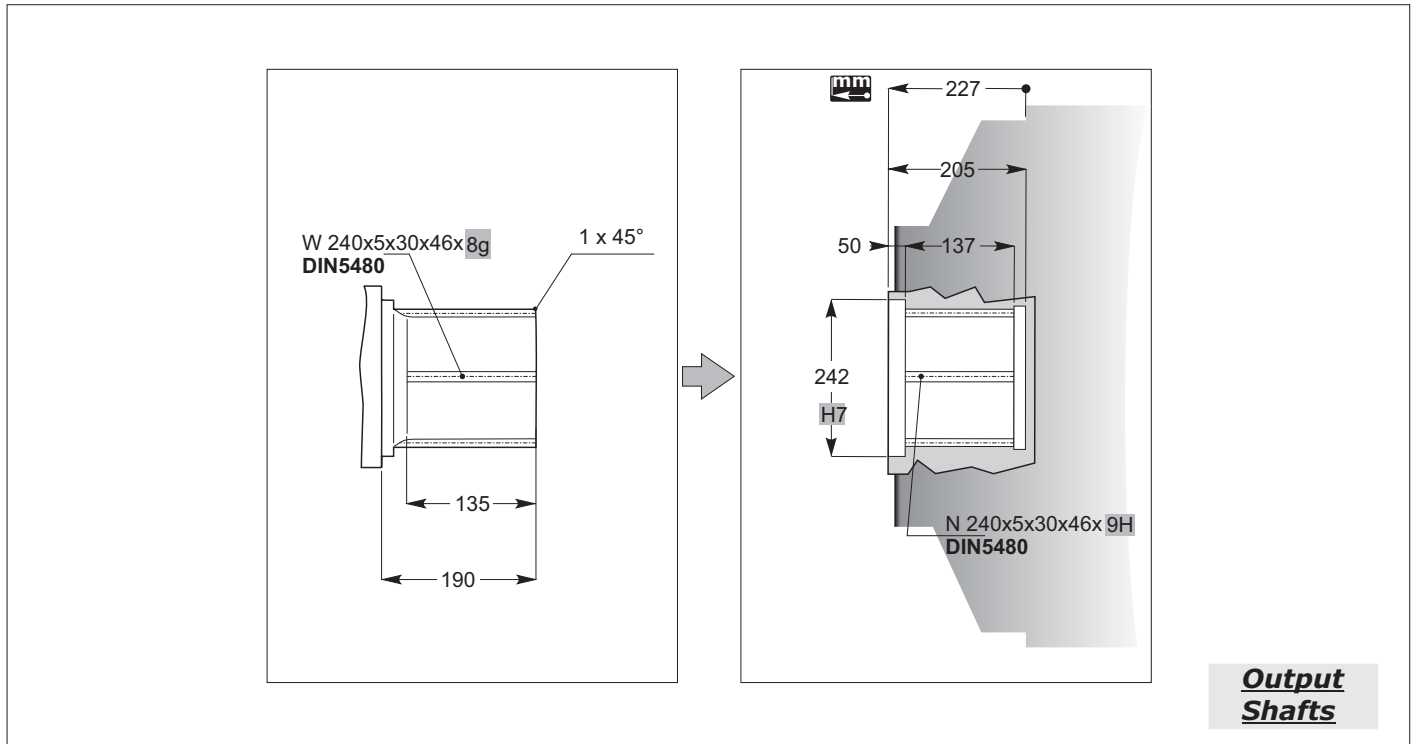
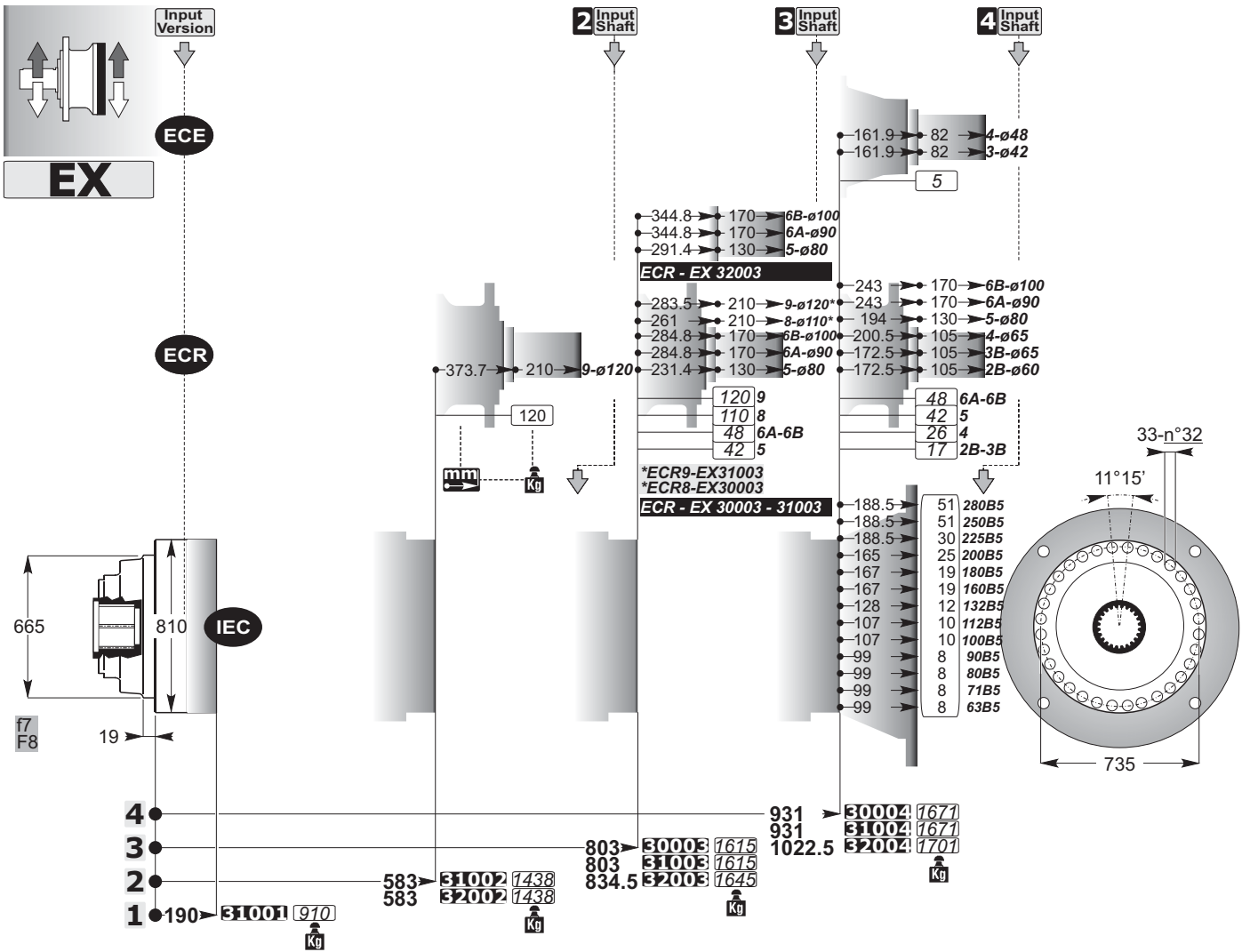
mm

C

BRD

BRS

Accessories



ECE

4 Input Shaft

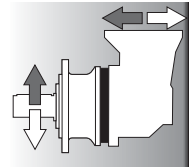
ECE 3 4

Input Version

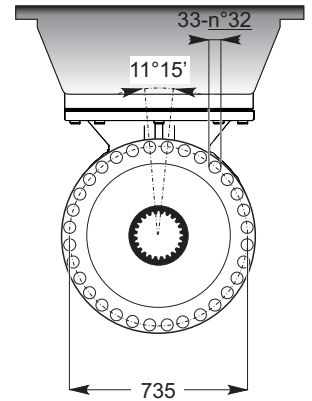
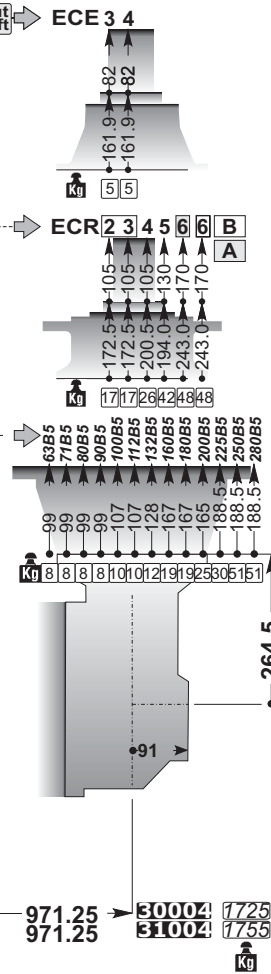
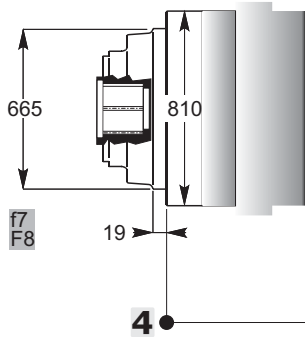
ECR

ECR 2 3 4 5 6 6 B A

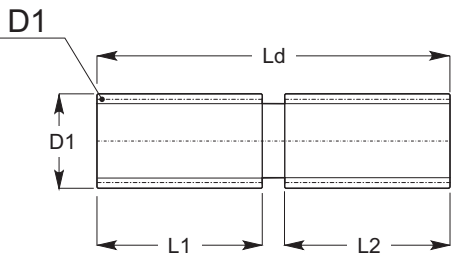
IEC



EXB



SD



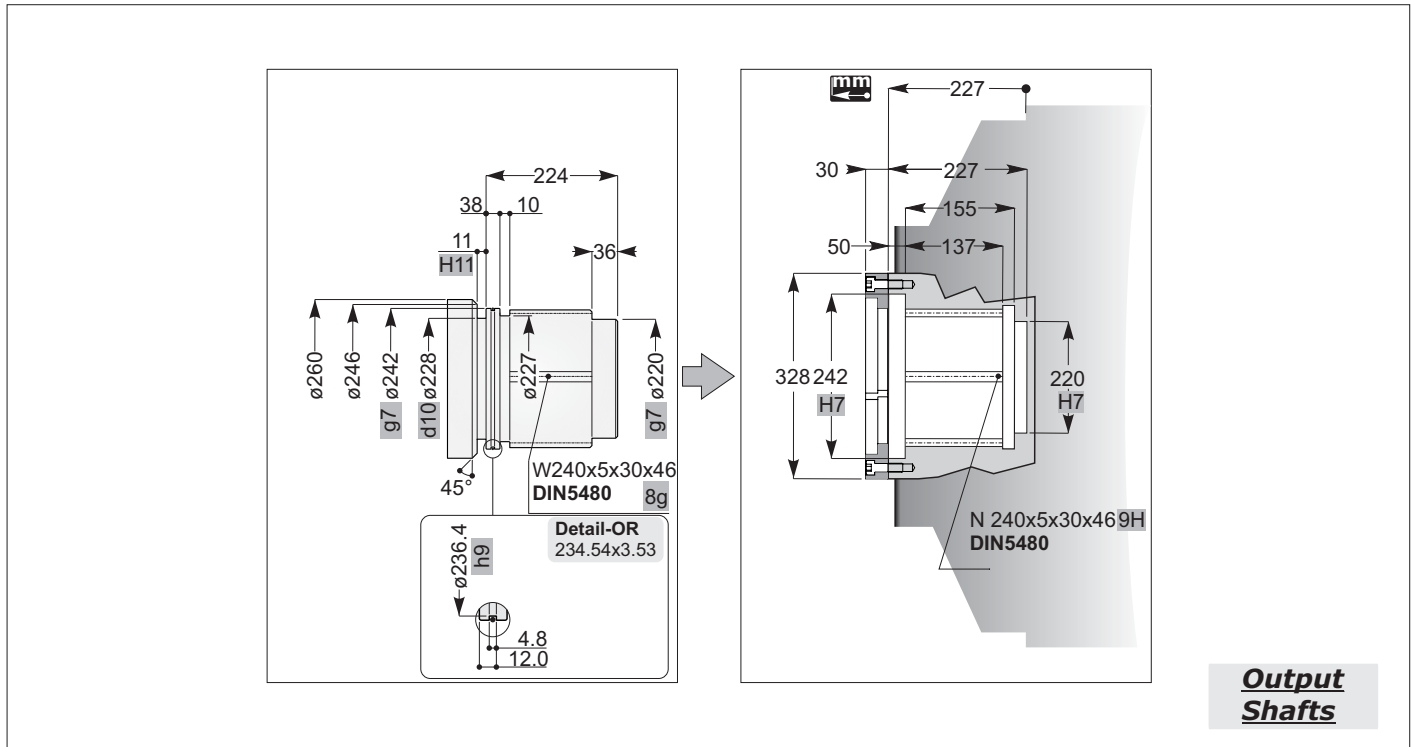
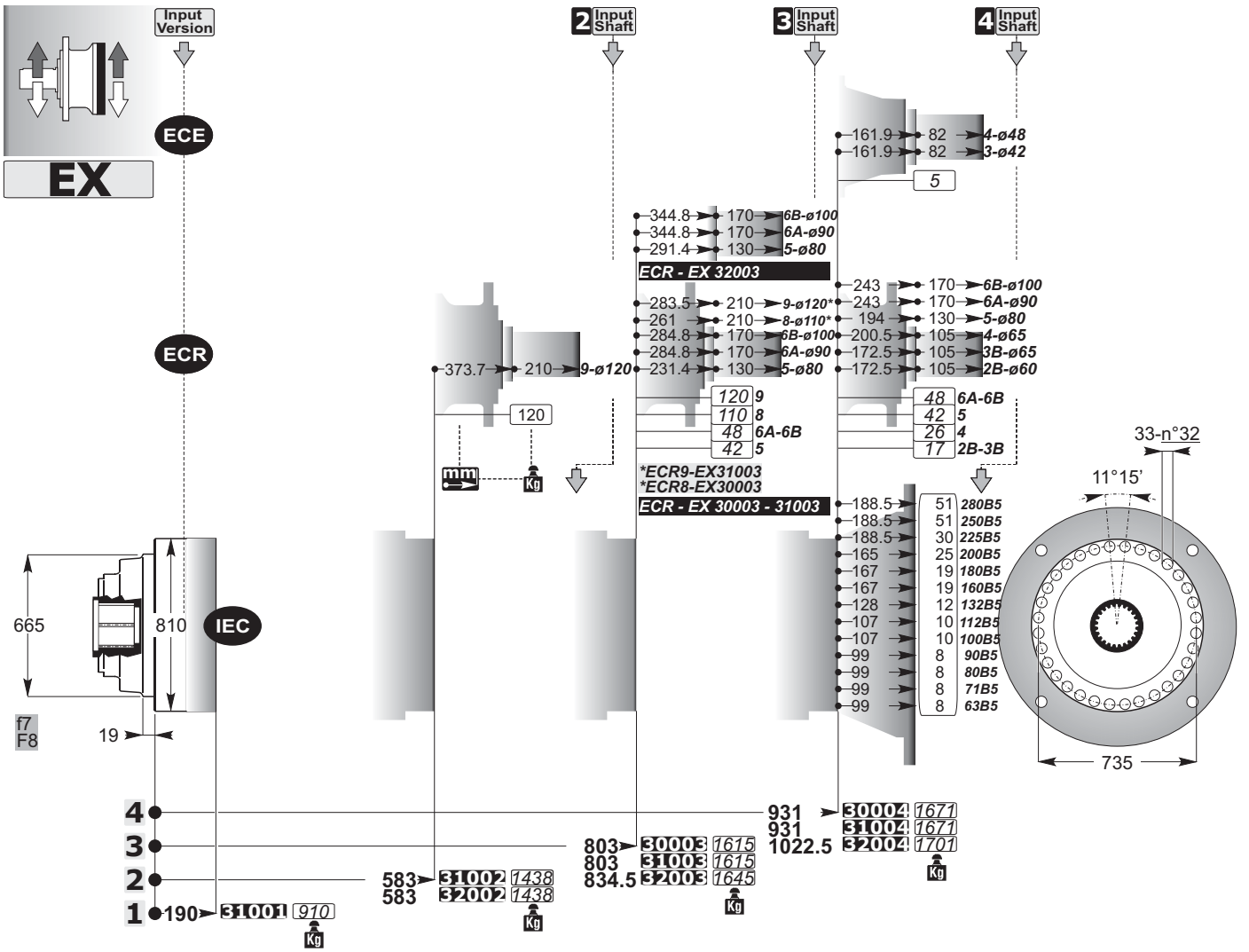
On request

SD



Accessories

mm
C



ECE

4 Input Shaft

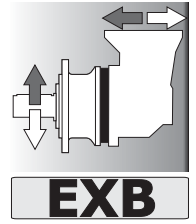
ECE 3 4

Input Version

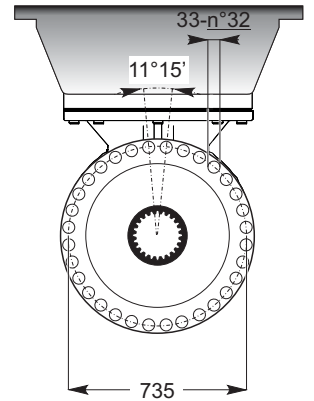
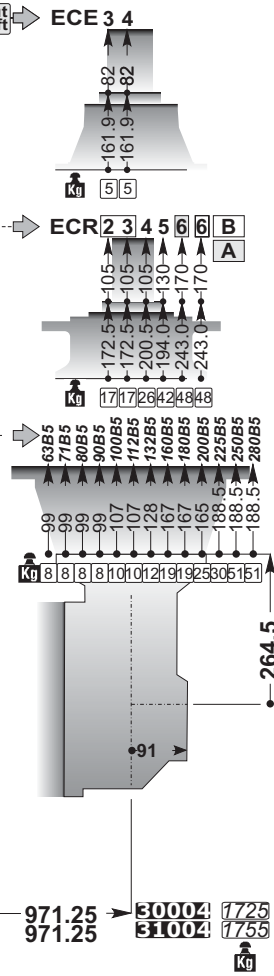
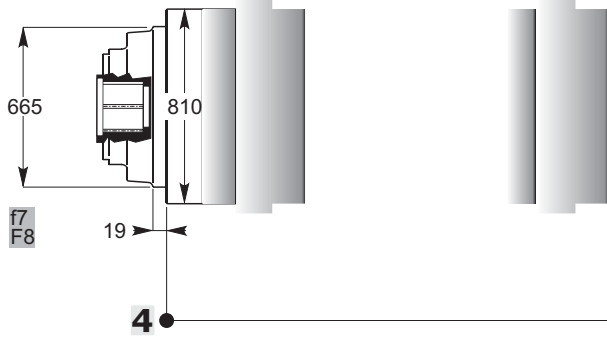
ECR

ECR 2 3 4 5 6 6 B A

IEC

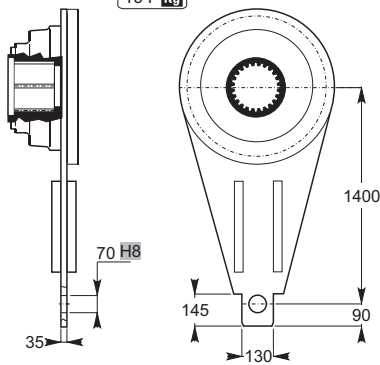


EXB



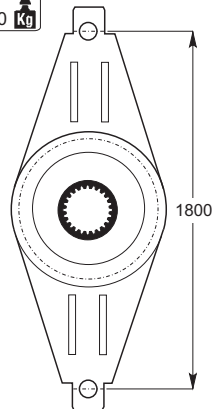
BRS

194 Kg



BRD

160 Kg



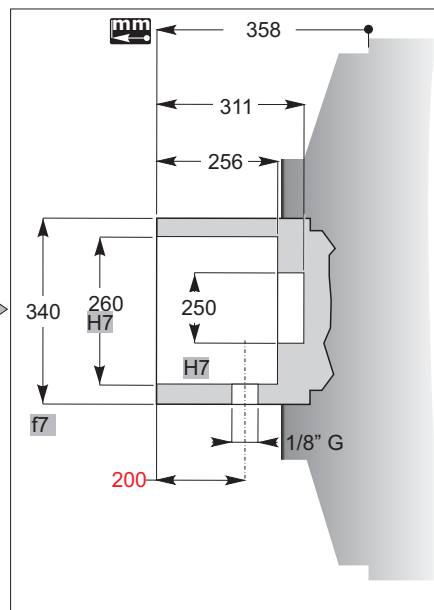
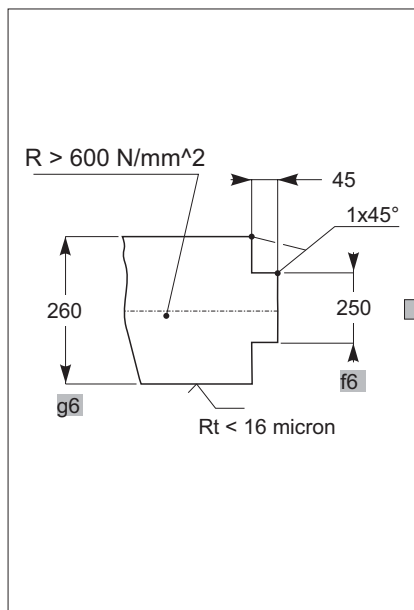
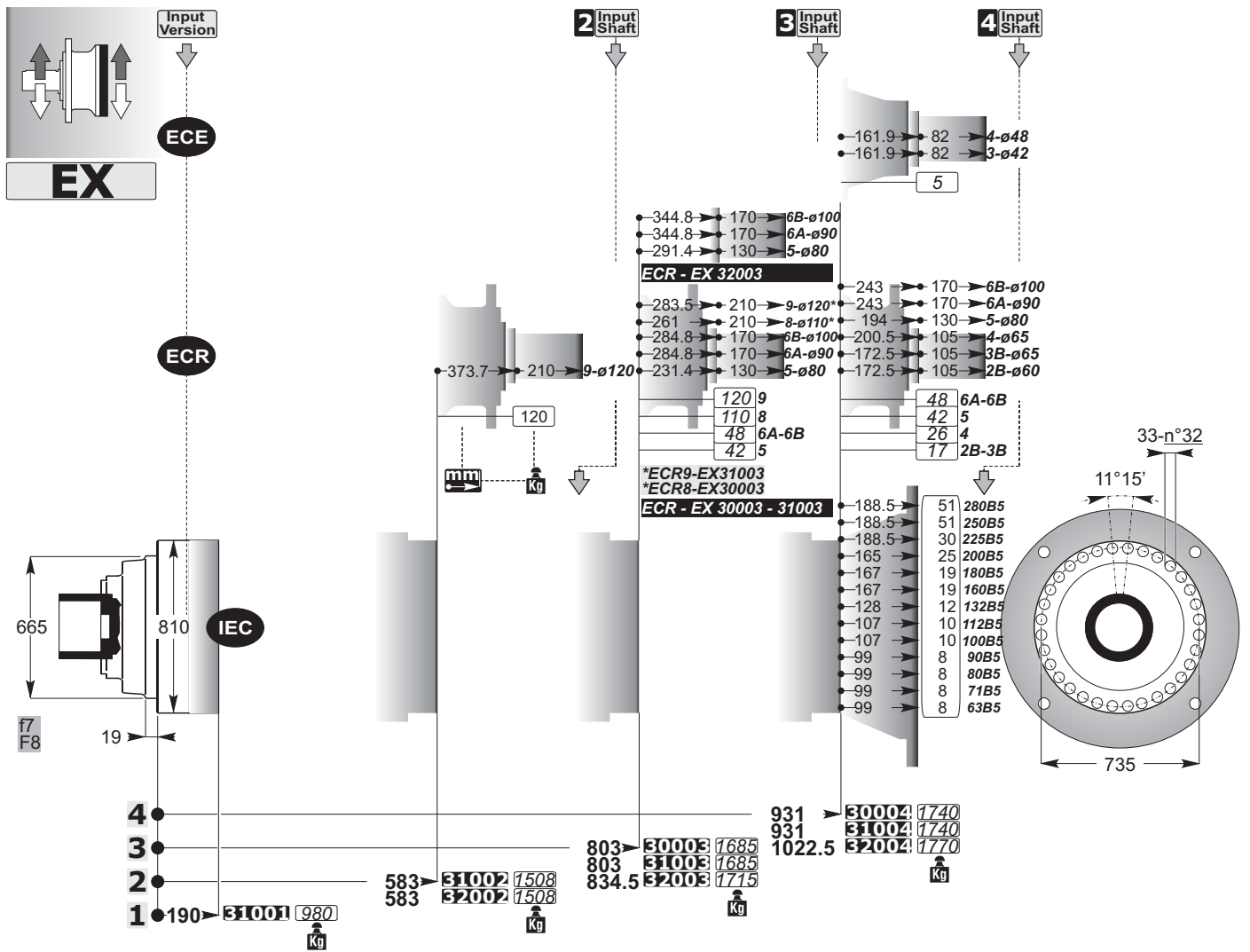
mm

C

BRD

BRS

Accessories

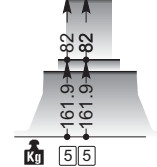


Output Shafts

ECE

4 Input Shaft →

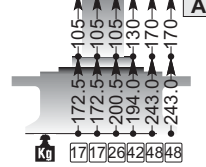
ECE 3 4



Input Version

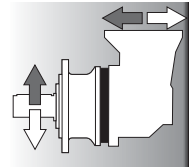
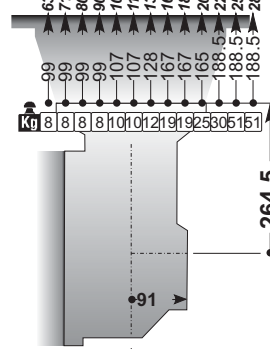
ECR

→ ECR 2 3 4 5 6 6 B A

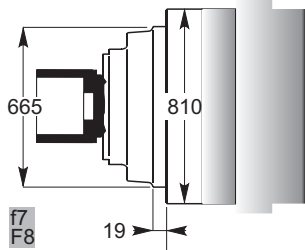


IEC

→ IEC 63B5 71B5 80B5 100B5 112B5 132B5 160B5 188B5 225B5 250B5 280B5

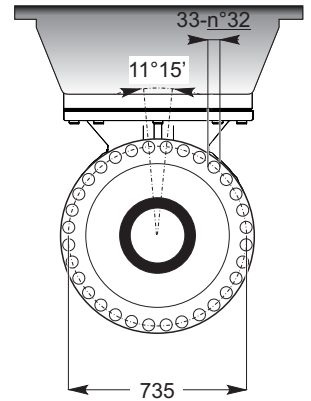


EXB



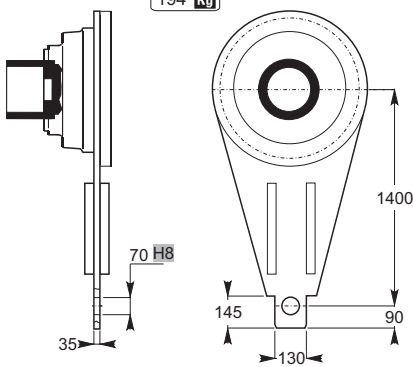
4 ●

971.25 → **30004** 1795
971.25 → **31004** 1825
Kg



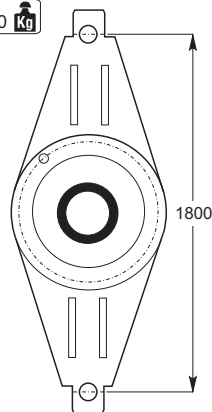
BRS

194 Kg



BRD

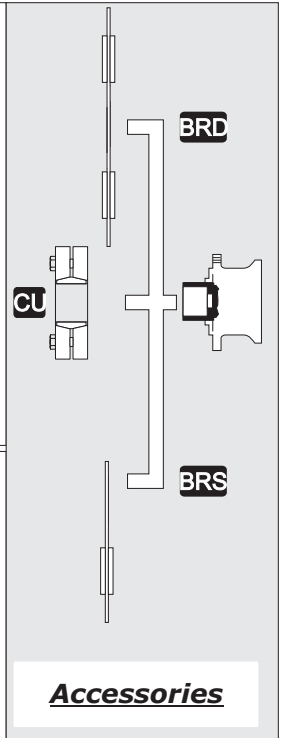
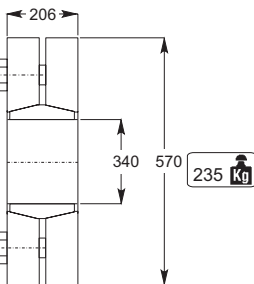
160 Kg



CU

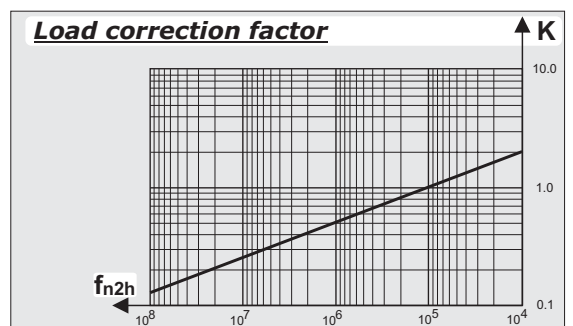
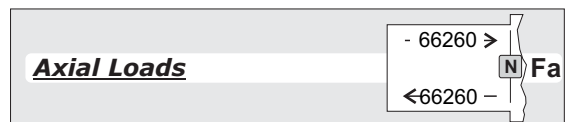
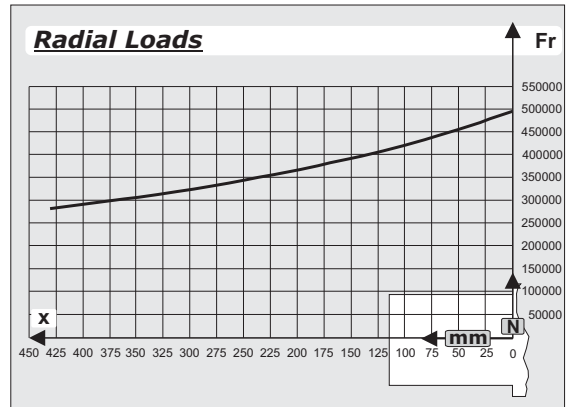
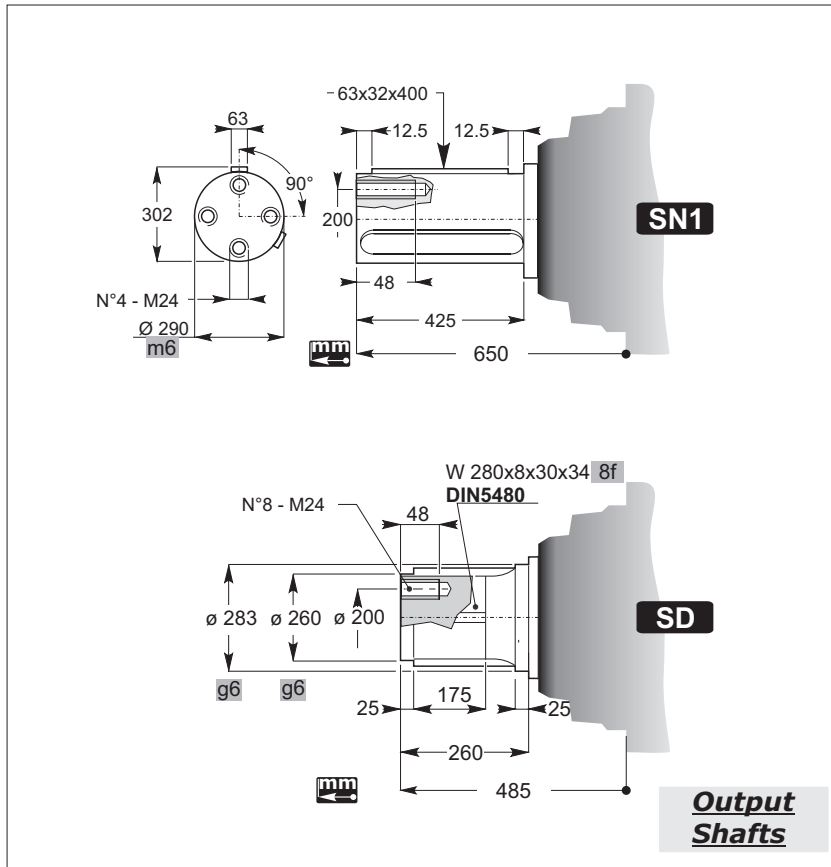
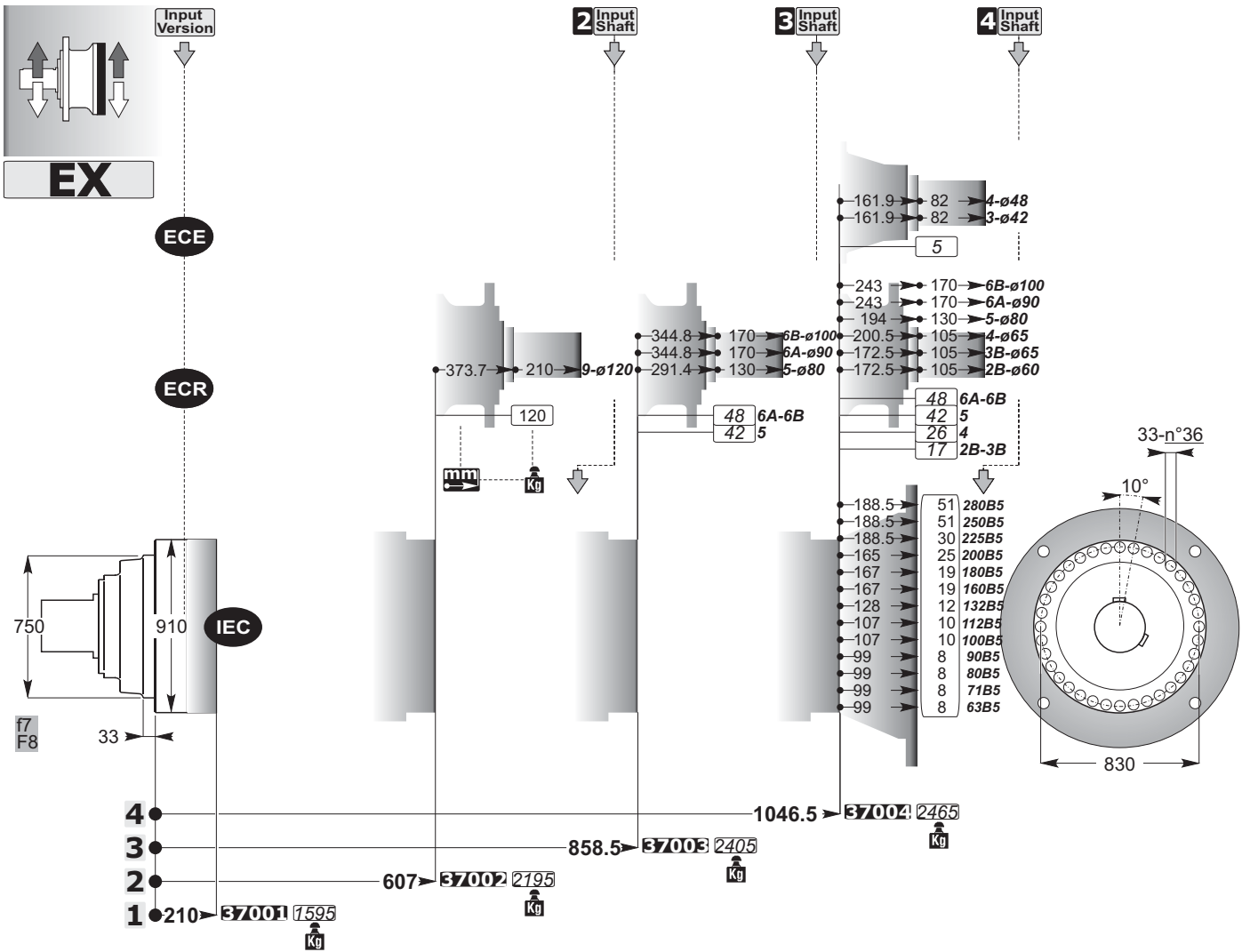
Ms 1250 Nm

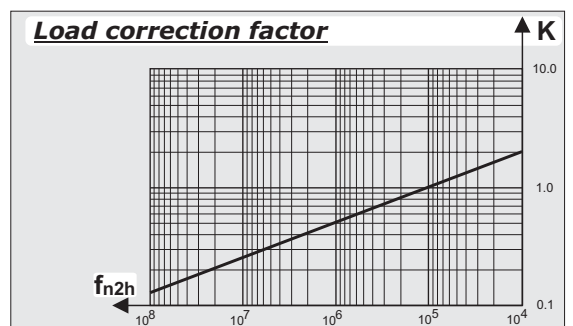
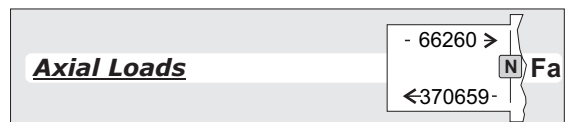
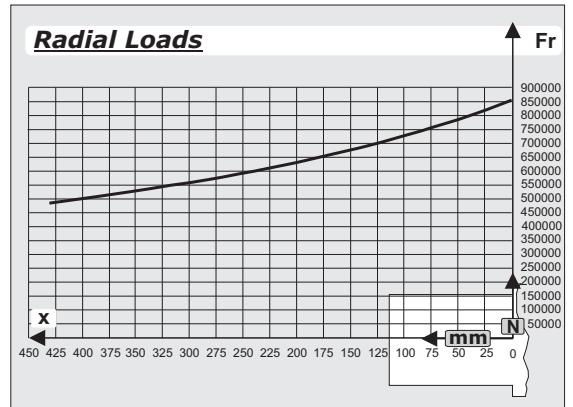
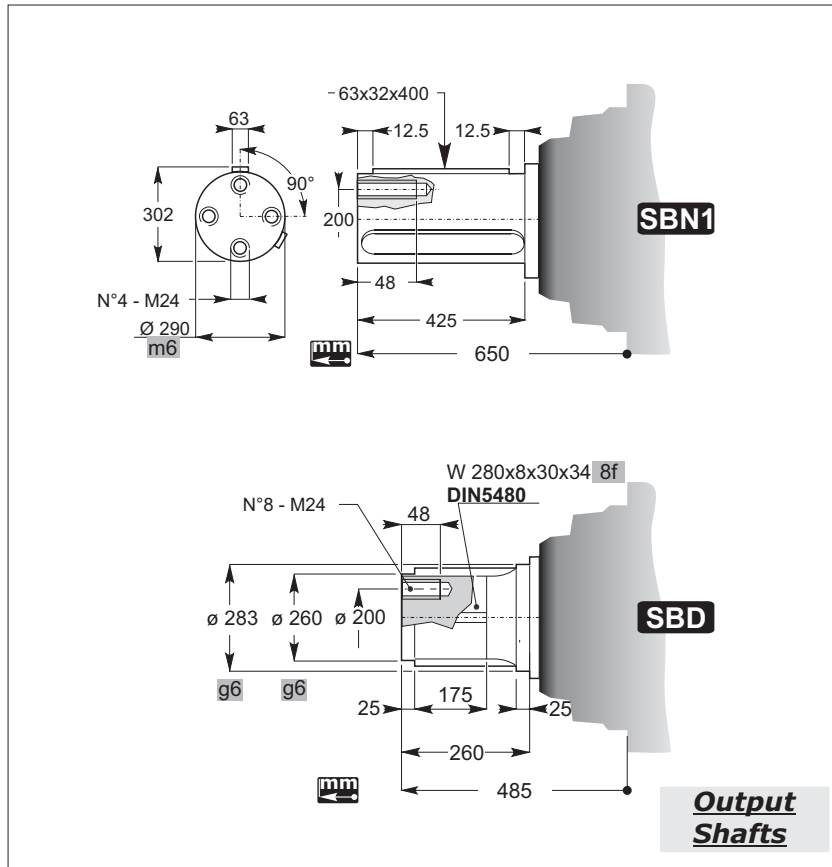
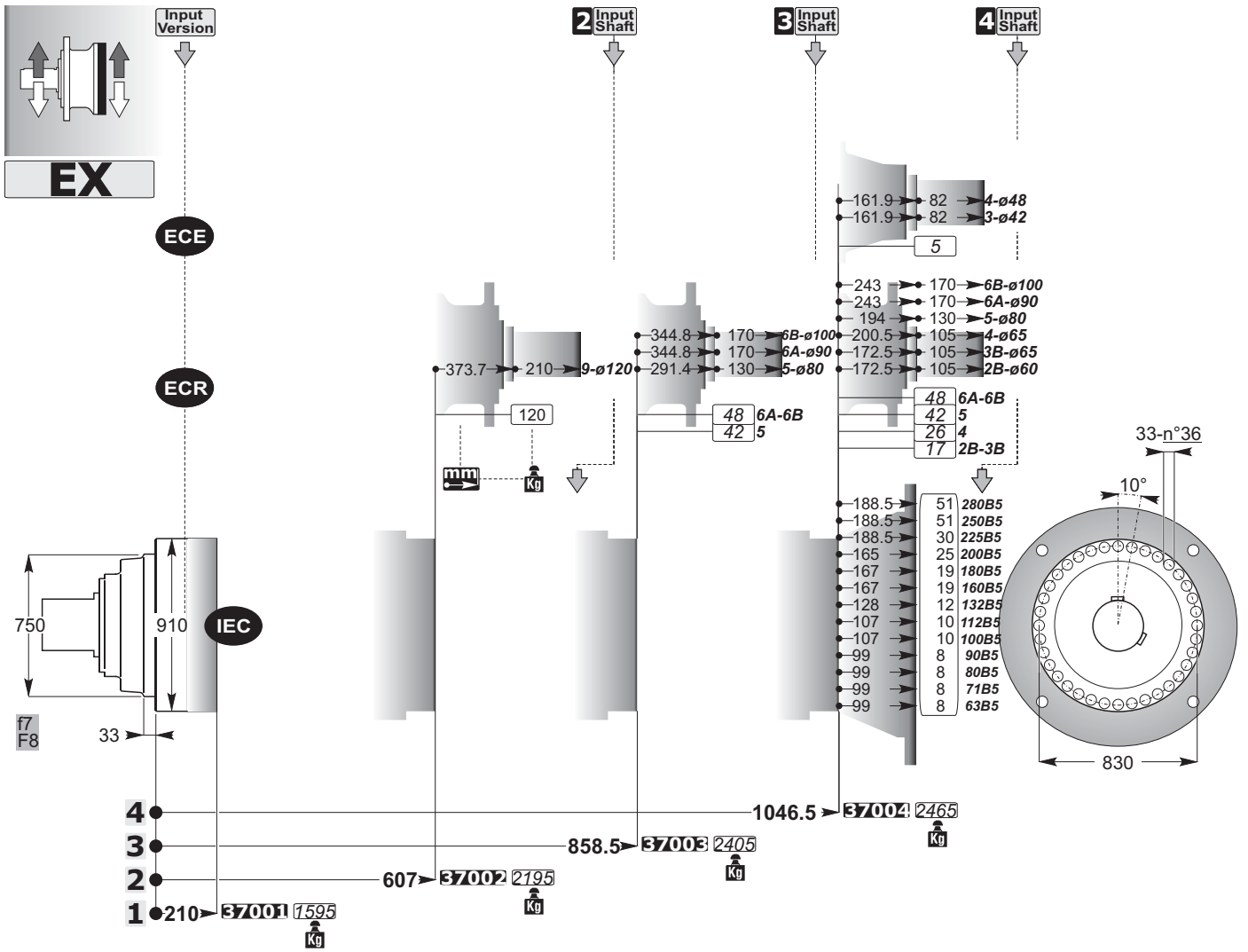
M27 10.9

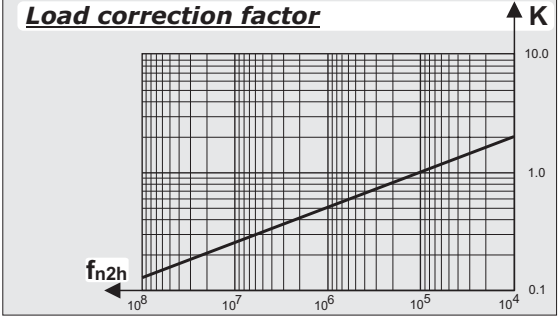
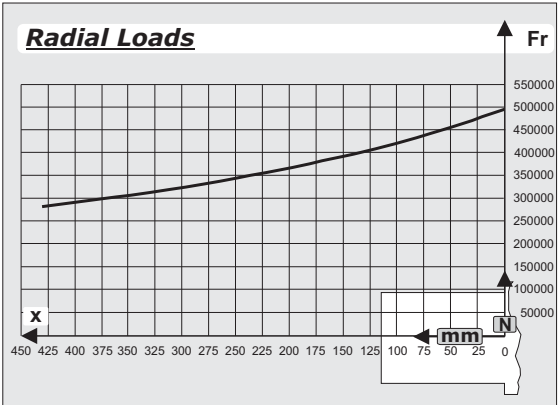
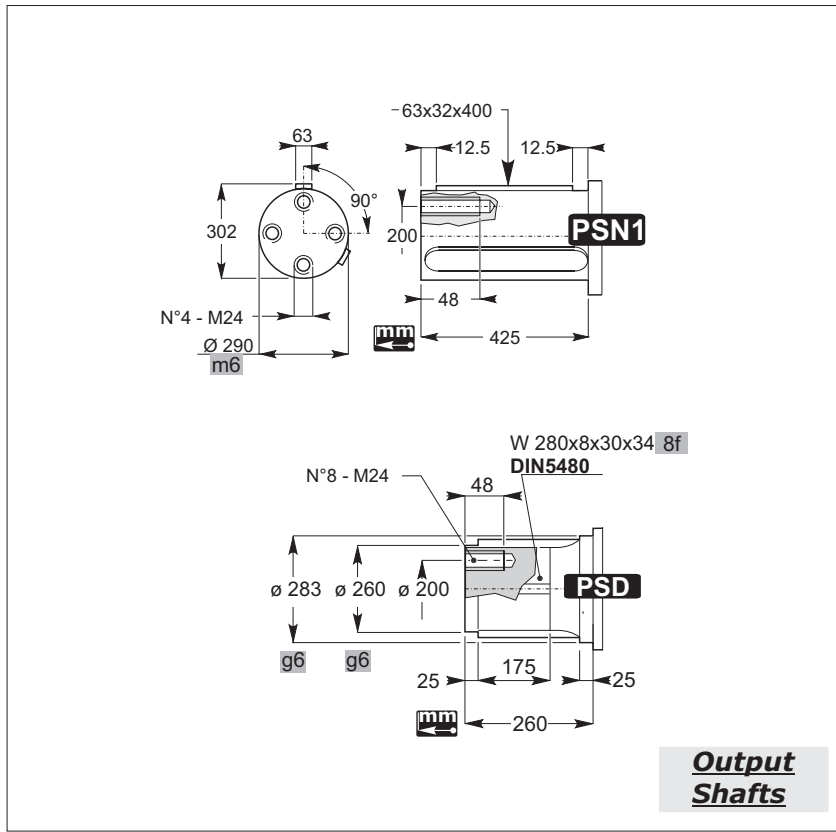
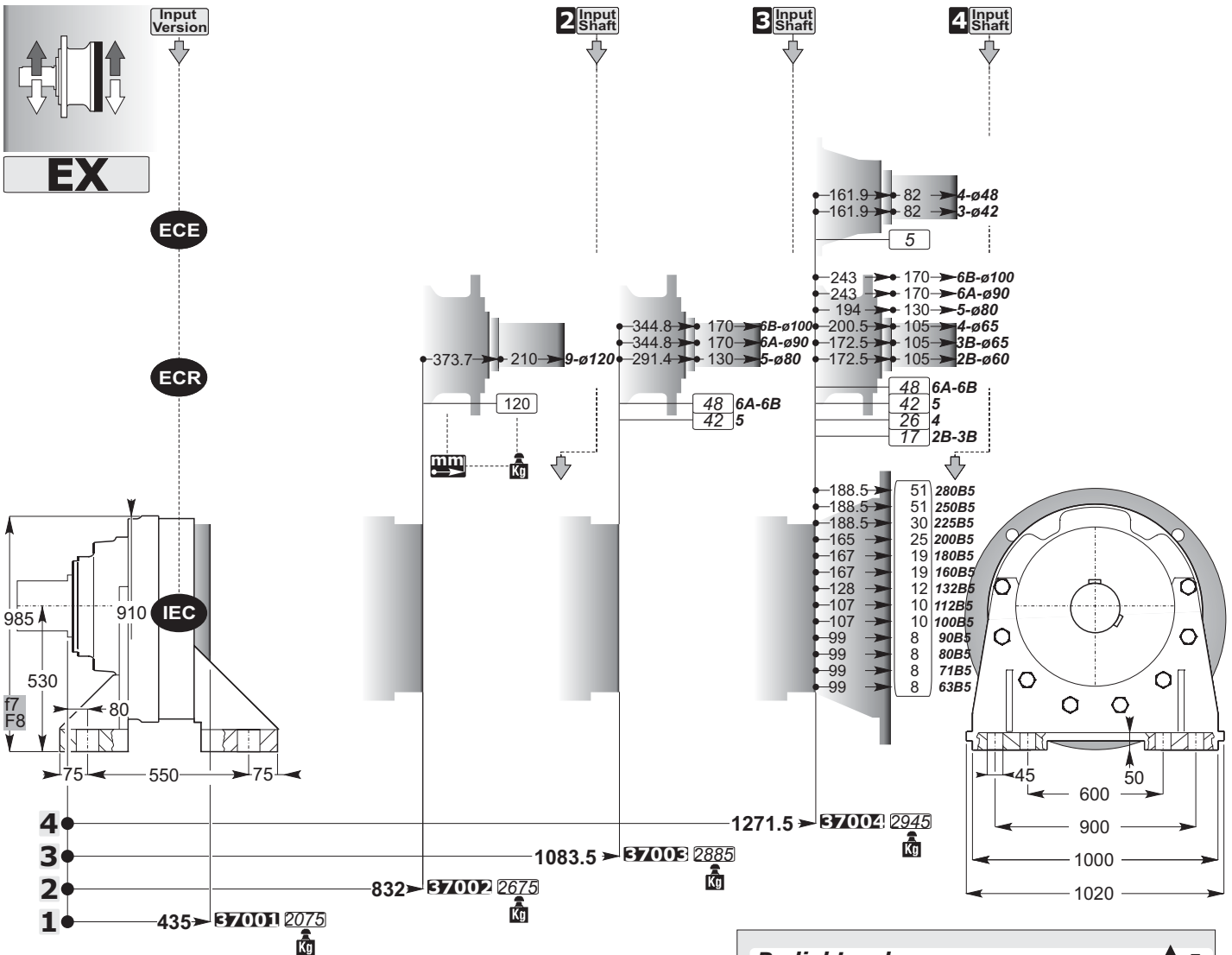


Accessories

mm
C





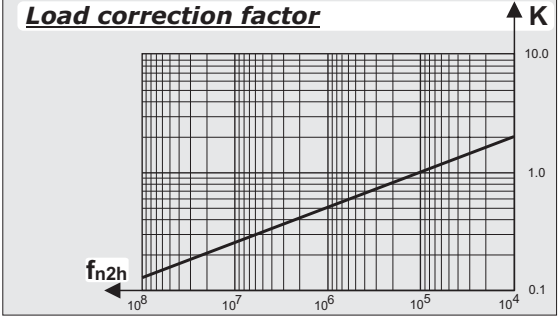
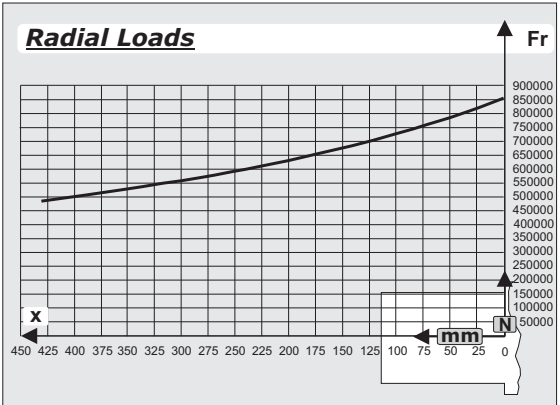
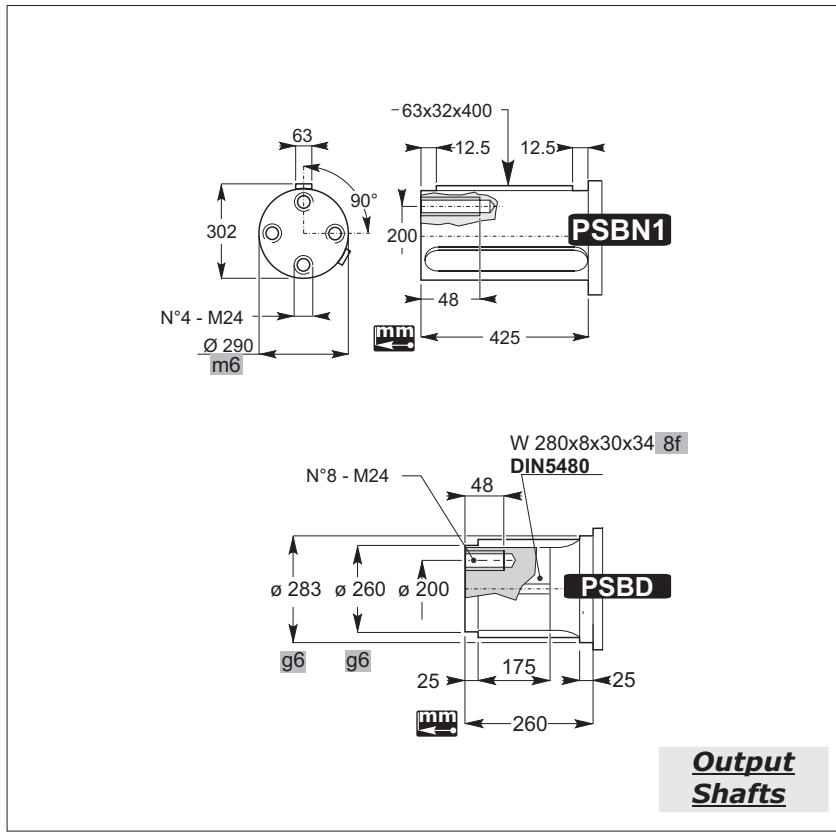
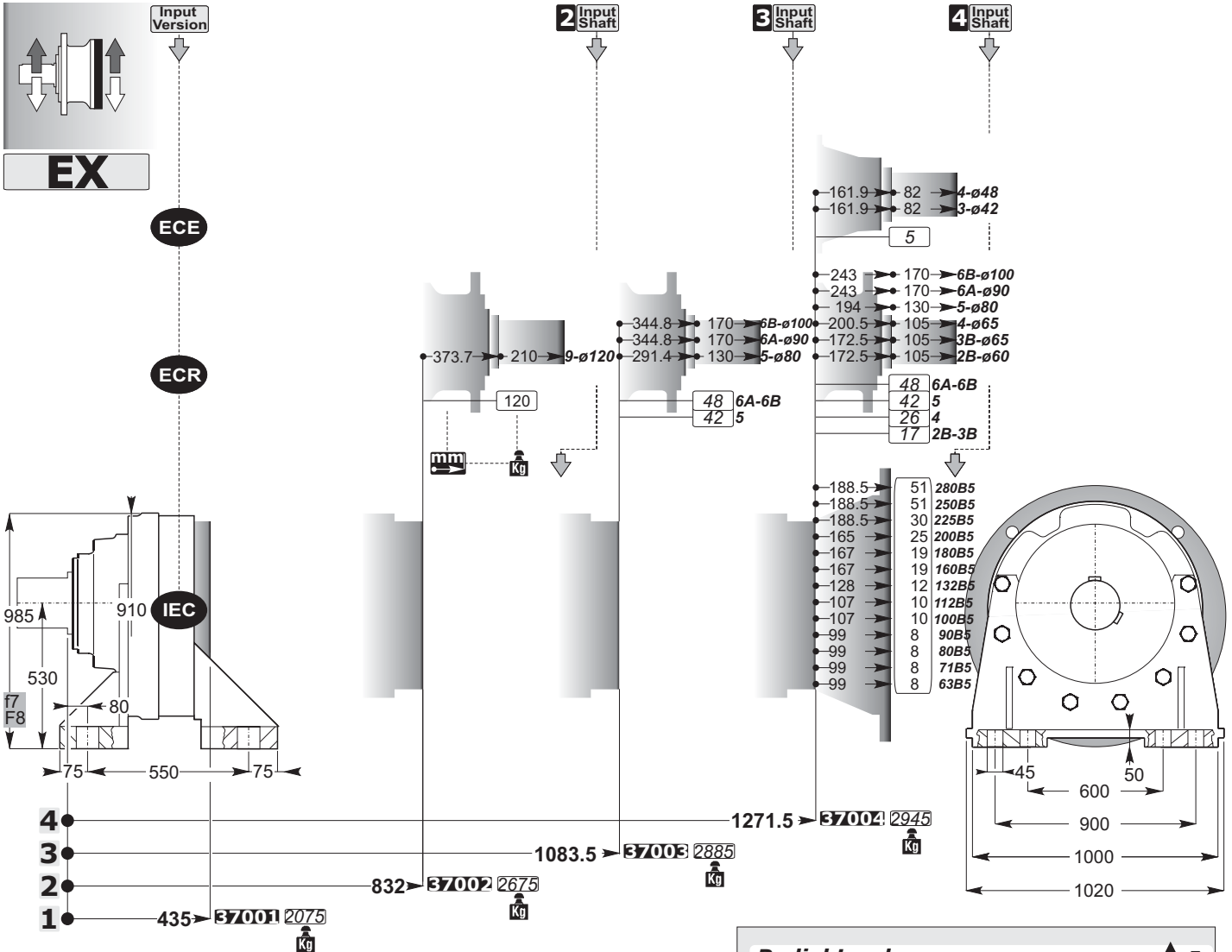


EXB

non disponibile
not available
nicht verfügbar

	<p>ID</p> <p>N 280x8x30x34 9H DIN5480</p> <table border="1" data-bbox="995 1330 1214 1637"> <thead> <tr> <th>ID</th> <th>m</th> <th>Z</th> <th>X</th> <th>De</th> </tr> </thead> <tbody> <tr><td>-</td><td>-</td><td>-</td><td>-</td><td>-</td></tr> <tr><td></td><td></td><td></td><td></td><td></td></tr> <tr><td></td><td></td><td></td><td></td><td></td></tr> <tr><td></td><td></td><td></td><td></td><td></td></tr> <tr><td></td><td></td><td></td><td></td><td></td></tr> <tr><td></td><td></td><td></td><td></td><td></td></tr> <tr><td></td><td></td><td></td><td></td><td></td></tr> <tr><td></td><td></td><td></td><td></td><td></td></tr> <tr><td></td><td></td><td></td><td></td><td></td></tr> <tr><td></td><td></td><td></td><td></td><td></td></tr> <tr><td></td><td></td><td></td><td></td><td></td></tr> <tr><td></td><td></td><td></td><td></td><td></td></tr> <tr><td></td><td></td><td></td><td></td><td></td></tr> <tr><td></td><td></td><td></td><td></td><td></td></tr> <tr><td></td><td></td><td></td><td></td><td></td></tr> <tr><td></td><td></td><td></td><td></td><td></td></tr> <tr><td></td><td></td><td></td><td></td><td></td></tr> <tr><td></td><td></td><td></td><td></td><td></td></tr> <tr><td></td><td></td><td></td><td></td><td></td></tr> <tr><td></td><td></td><td></td><td></td><td></td></tr> <tr><td></td><td></td><td></td><td></td><td></td></tr> <tr><td></td><td></td><td></td><td></td><td></td></tr> </tbody> </table> <p>On request</p>	ID	m	Z	X	De	-	-	-	-	-																																																																																																										<p>FF</p> <p>ID</p> <p>BD</p> <p>Accessories</p>
ID	m	Z	X	De																																																																																																																	
-	-	-	-	-																																																																																																																	
<p>FF</p> <p>On request</p>	<p>BD</p> <p>N280x8x30x34 9H DIN5480</p> <p>On request</p>																																																																																																																				



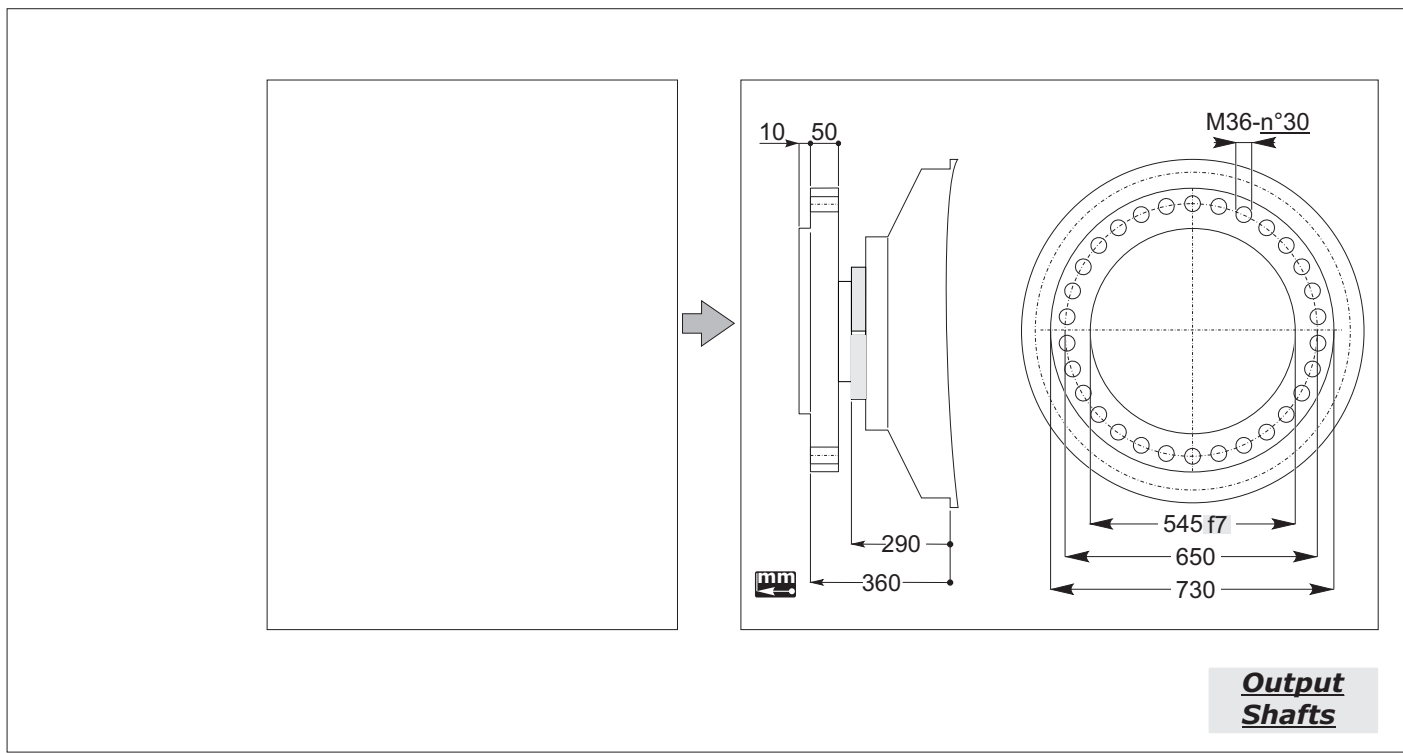
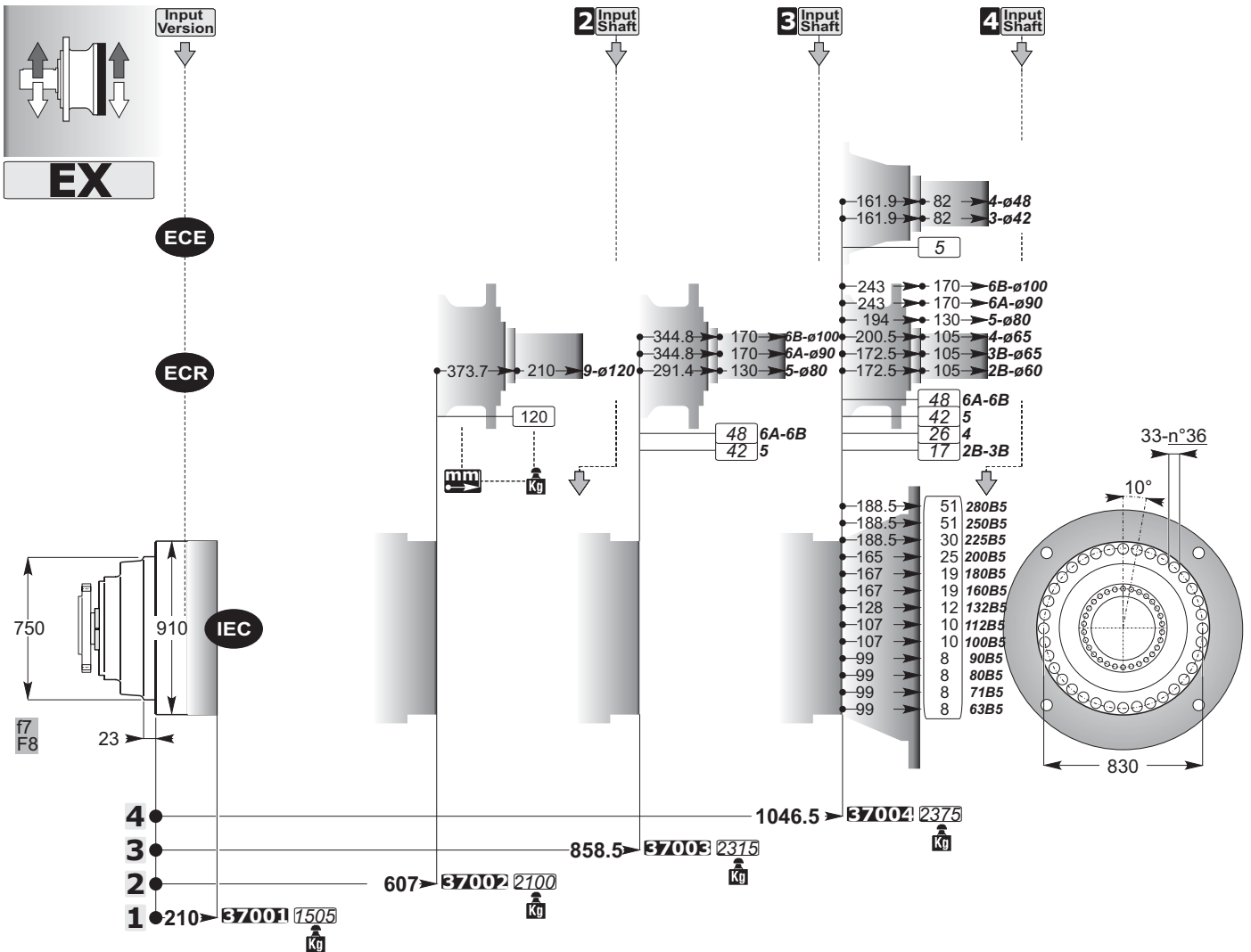


EXB

non disponibile
not available
nicht verfügbar

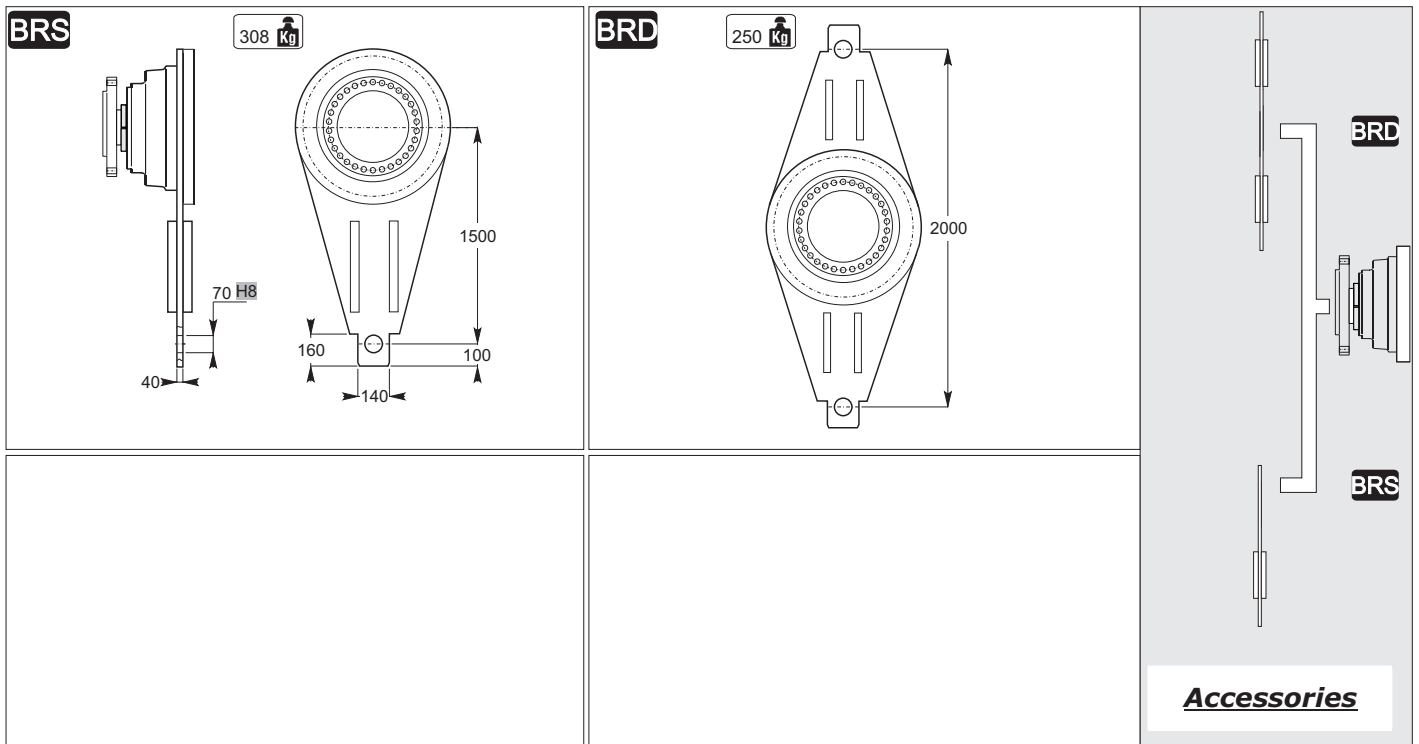
<p>ID</p> <p>N 280x8x30x34 9H DIN5480</p> <table border="1"> <thead> <tr> <th>ID</th> <th>m</th> <th>Z</th> <th>X</th> <th>De</th> </tr> </thead> <tbody> <tr><td> </td><td> </td><td> </td><td> </td><td> </td></tr> <tr><td> </td><td> </td><td> </td><td> </td><td> </td></tr> <tr><td> </td><td> </td><td> </td><td> </td><td> </td></tr> <tr><td> </td><td> </td><td> </td><td> </td><td> </td></tr> <tr><td> </td><td> </td><td> </td><td> </td><td> </td></tr> <tr><td> </td><td> </td><td> </td><td> </td><td> </td></tr> <tr><td> </td><td> </td><td> </td><td> </td><td> </td></tr> <tr><td> </td><td> </td><td> </td><td> </td><td> </td></tr> <tr><td> </td><td> </td><td> </td><td> </td><td> </td></tr> <tr><td> </td><td> </td><td> </td><td> </td><td> </td></tr> <tr><td> </td><td> </td><td> </td><td> </td><td> </td></tr> <tr><td> </td><td> </td><td> </td><td> </td><td> </td></tr> <tr><td> </td><td> </td><td> </td><td> </td><td> </td></tr> <tr><td> </td><td> </td><td> </td><td> </td><td> </td></tr> <tr><td> </td><td> </td><td> </td><td> </td><td> </td></tr> <tr><td> </td><td> </td><td> </td><td> </td><td> </td></tr> <tr><td> </td><td> </td><td> </td><td> </td><td> </td></tr> <tr><td> </td><td> </td><td> </td><td> </td><td> </td></tr> <tr><td> </td><td> </td><td> </td><td> </td><td> </td></tr> <tr><td> </td><td> </td><td> </td><td> </td><td> </td></tr> <tr><td> </td><td> </td><td> </td><td> </td><td> </td></tr> <tr><td> </td><td> </td><td> </td><td> </td><td> </td></tr> <tr><td> </td><td> </td><td> </td><td> </td><td> </td></tr> </tbody> </table> <p>On request</p>	ID	m	Z	X	De																																																																																																																				<p>FF</p> <p>ϕV (n°... - ...°)</p> <p>On request</p>	<p>BD</p> <p>N280x8x30x34 9H DIN5480</p> <p>On request</p>	<p>Accessories</p>
ID	m	Z	X	De																																																																																																																							

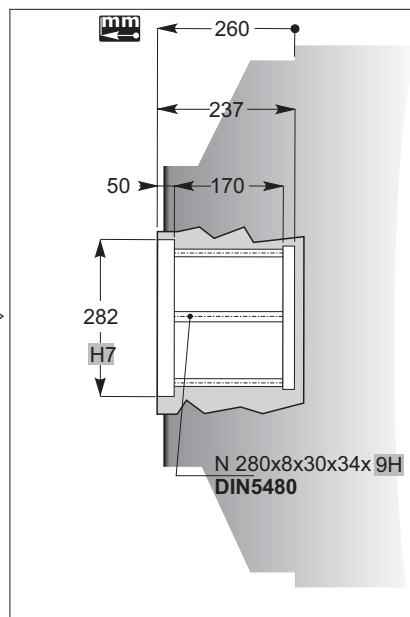
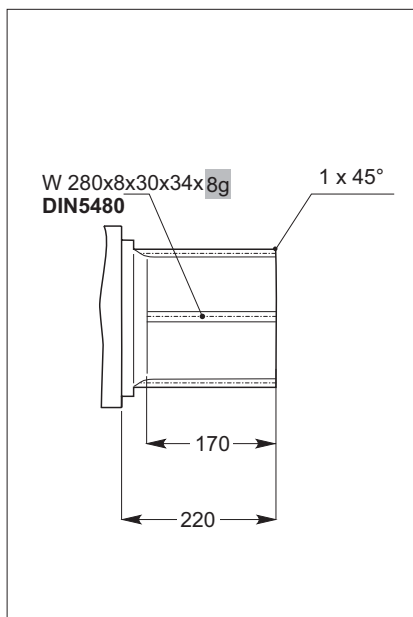
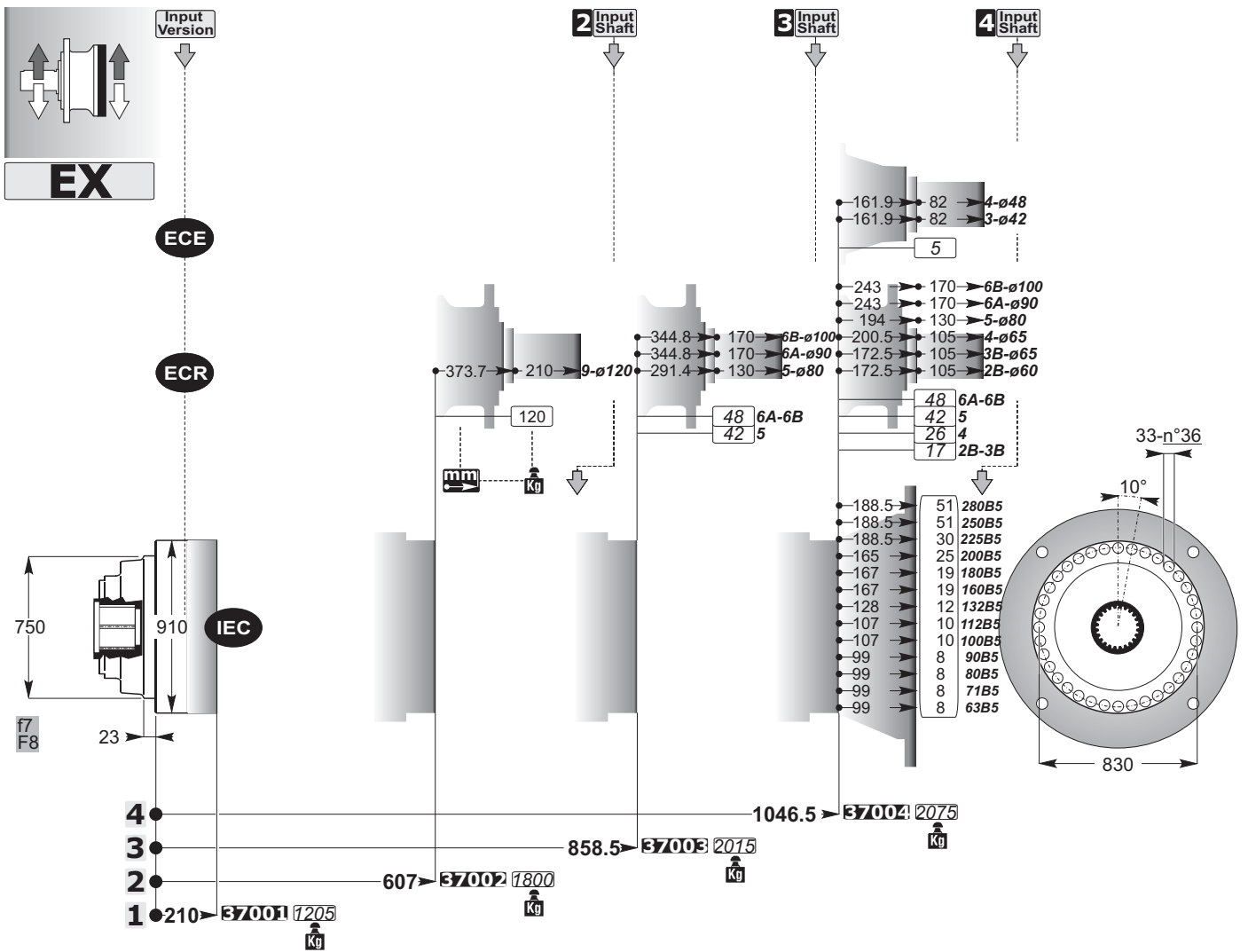
mm
C



EXB

**non disponibile
not available
nicht verfügbar**

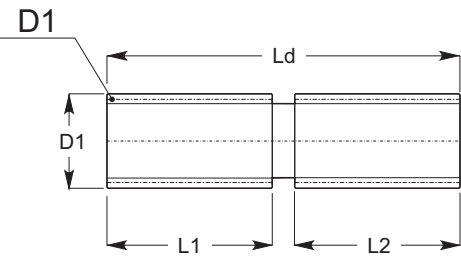





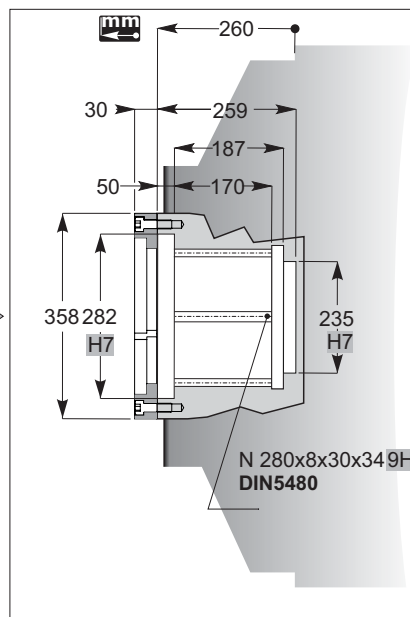
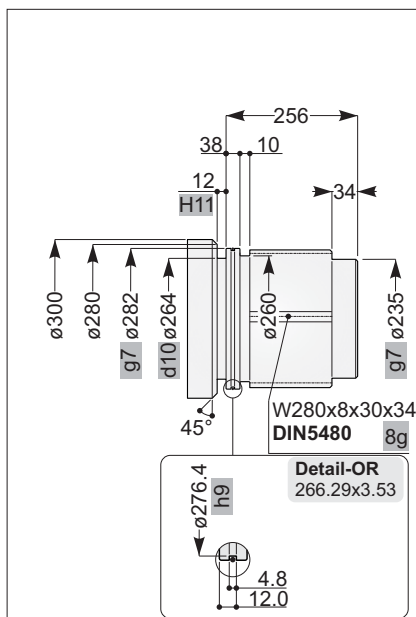
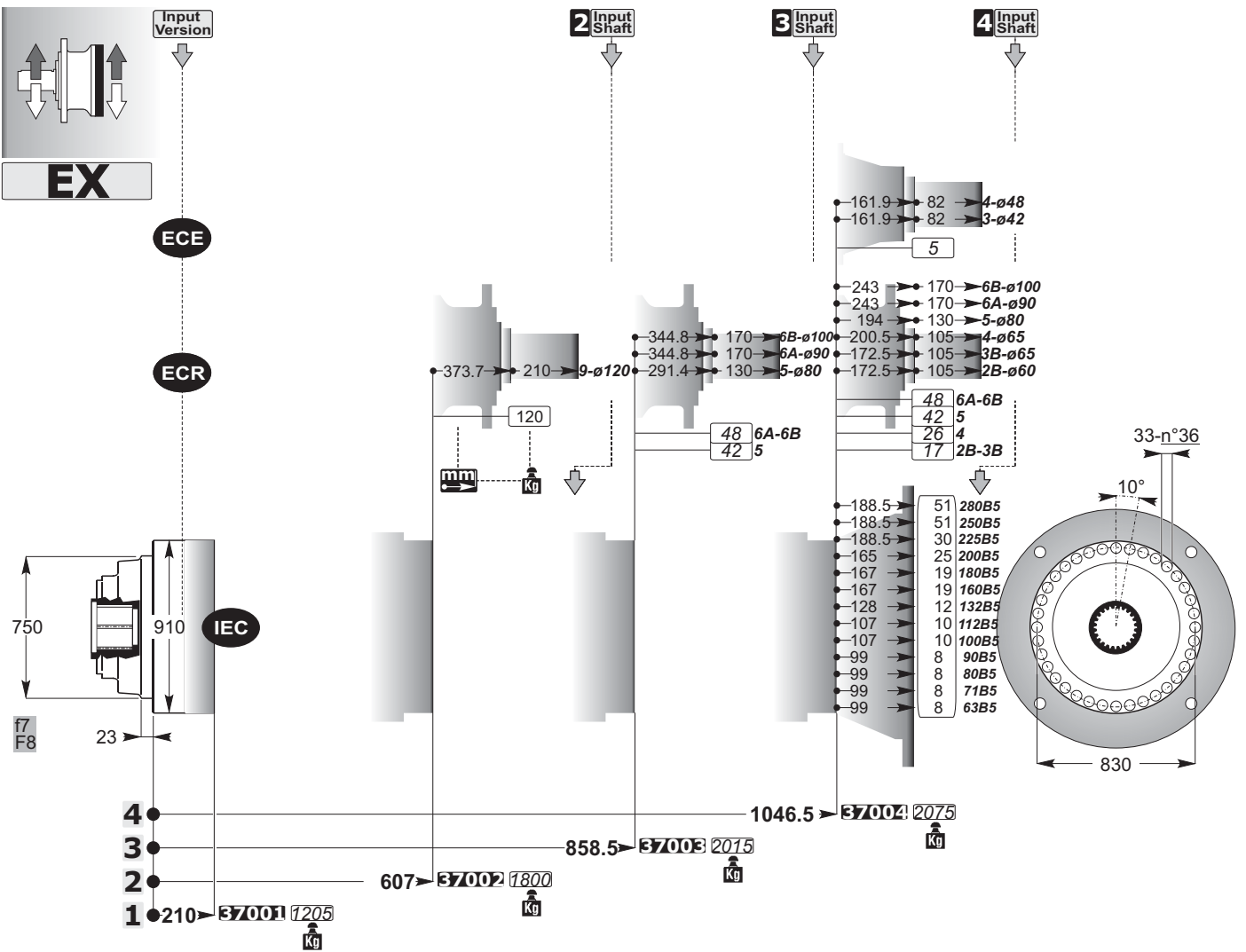
Output Shafts

EXB

non disponibile
not available
nicht verfügbar

<p>SD</p>  <p><i>On request</i></p>		<p>SD</p>  <p>Accessories</p>

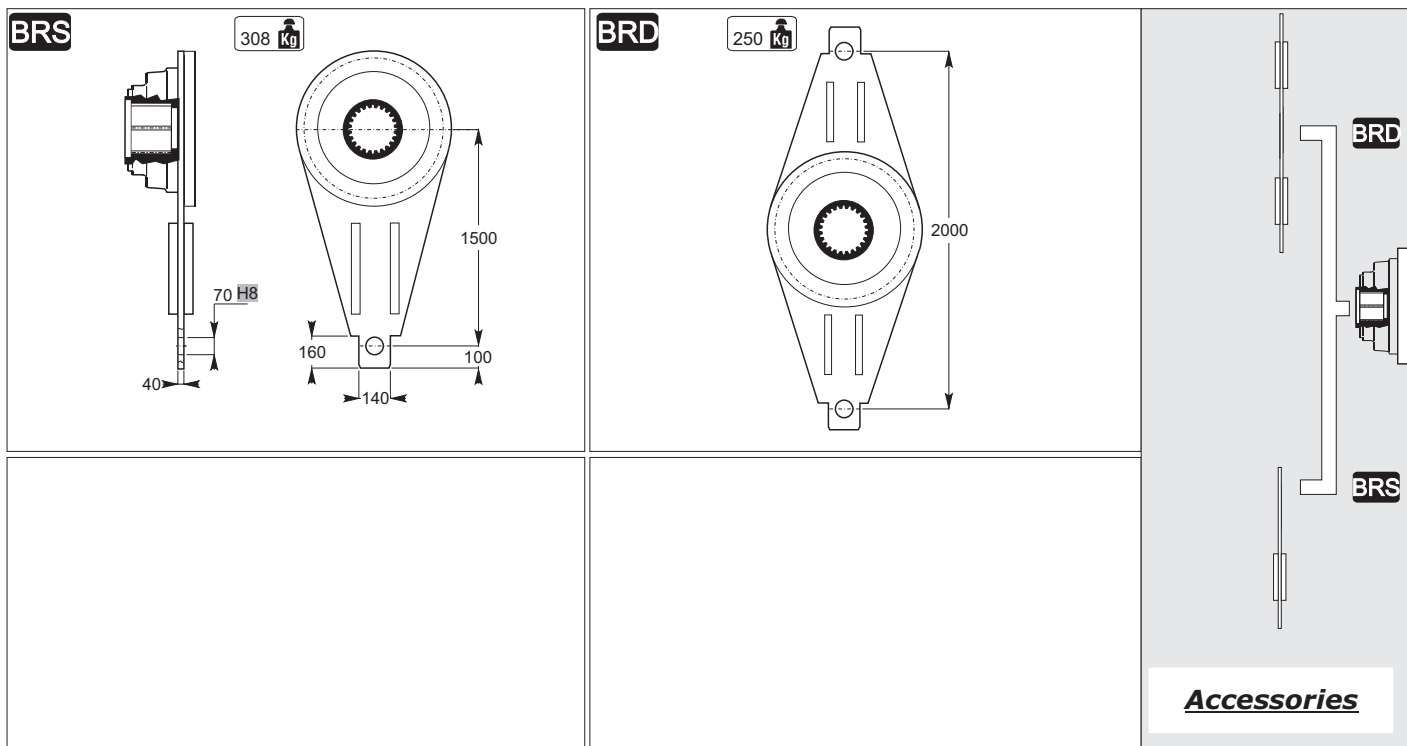
mm
C

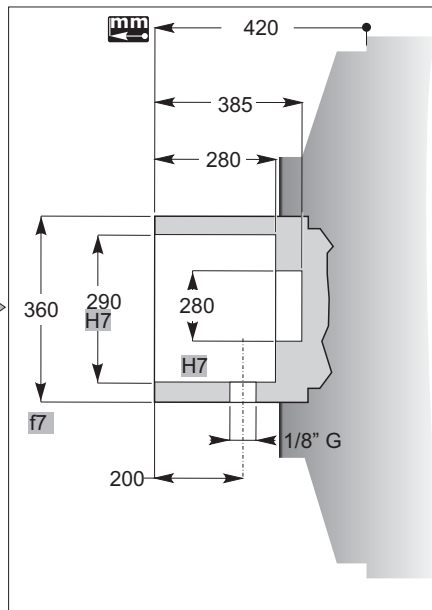
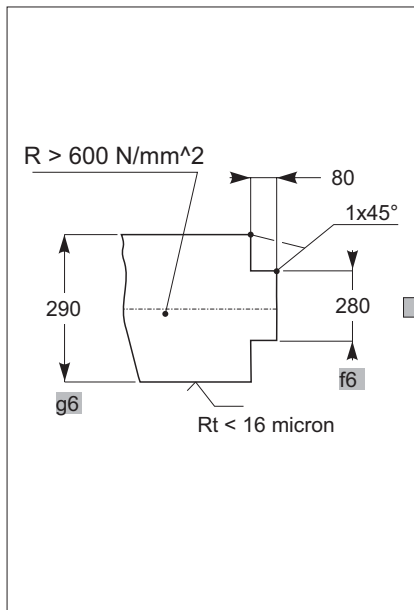
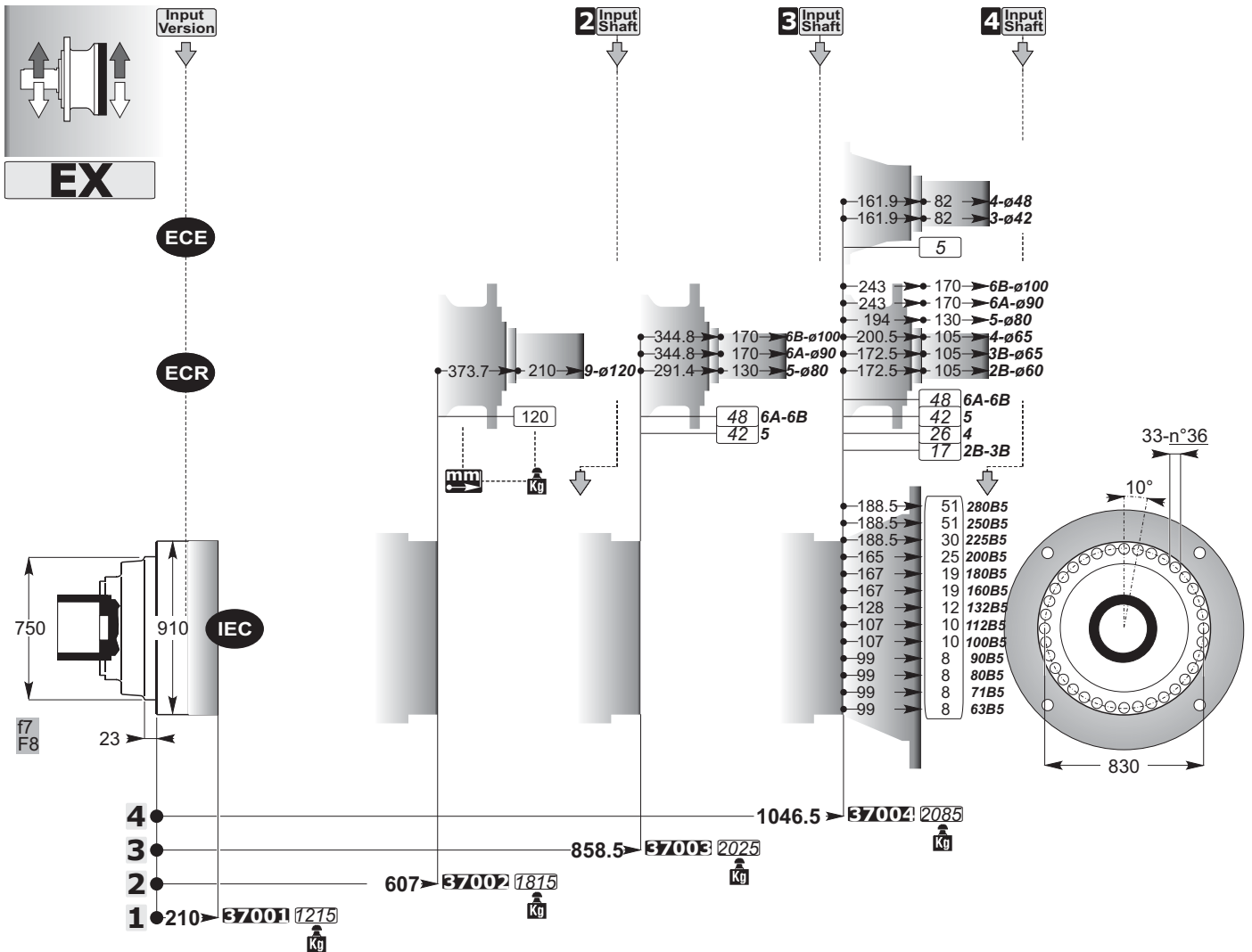


Output Shafts

EXB

**non disponibile
not available
nicht verfügbar**

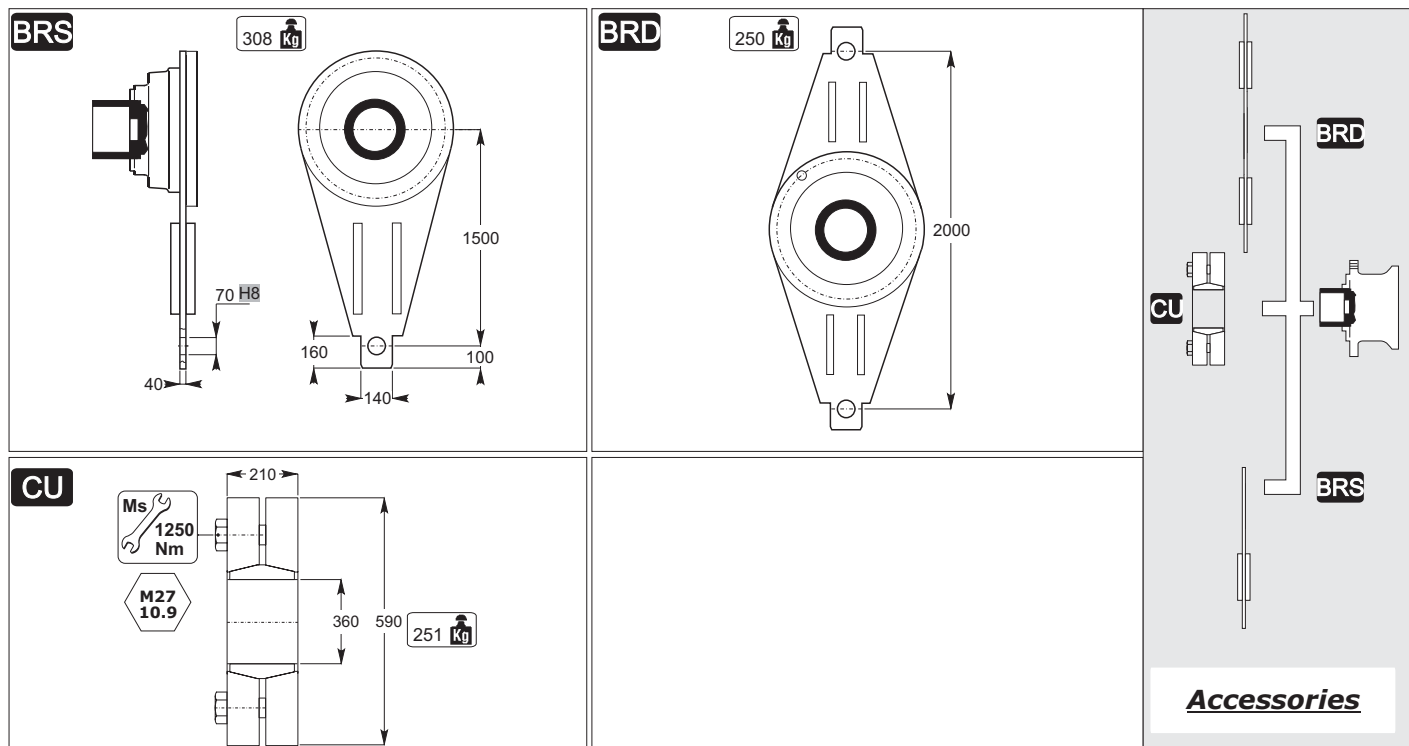


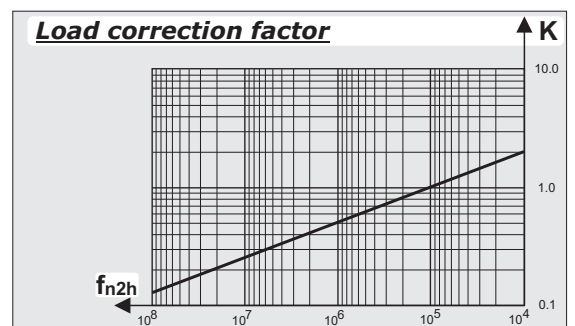
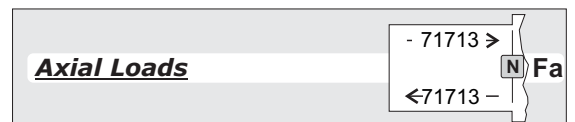
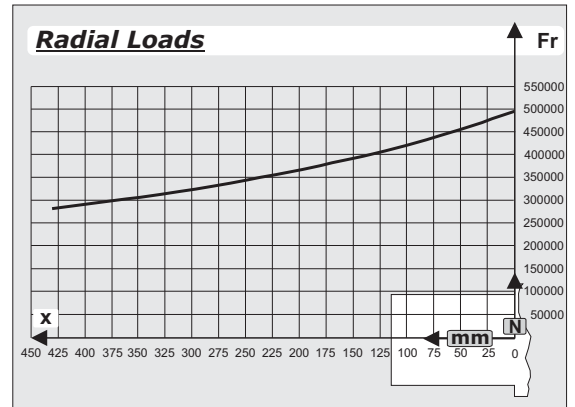
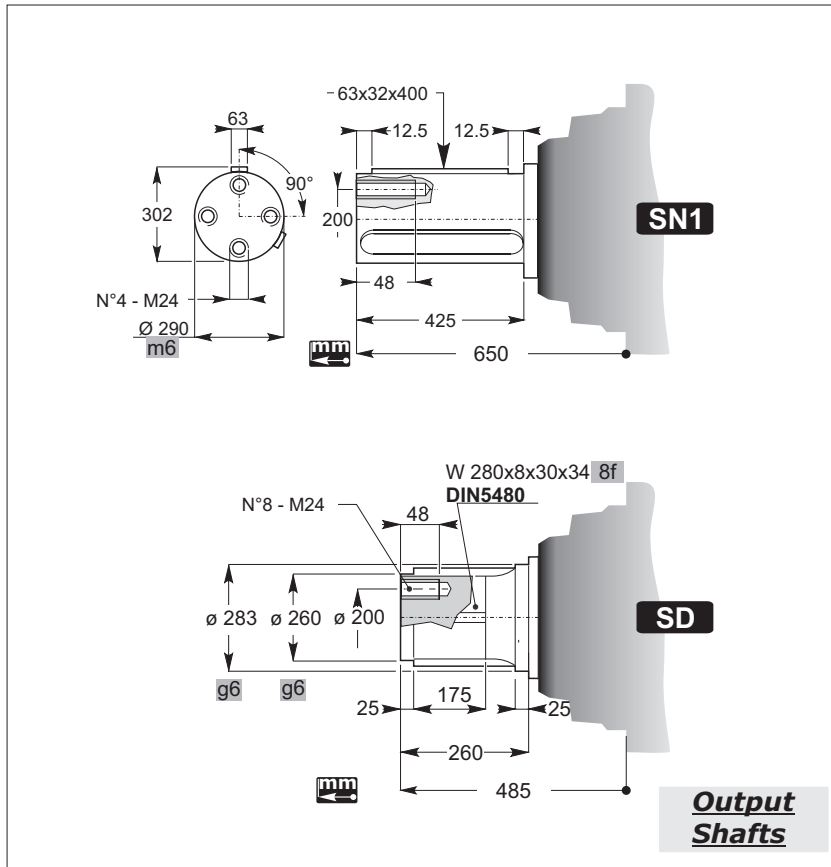
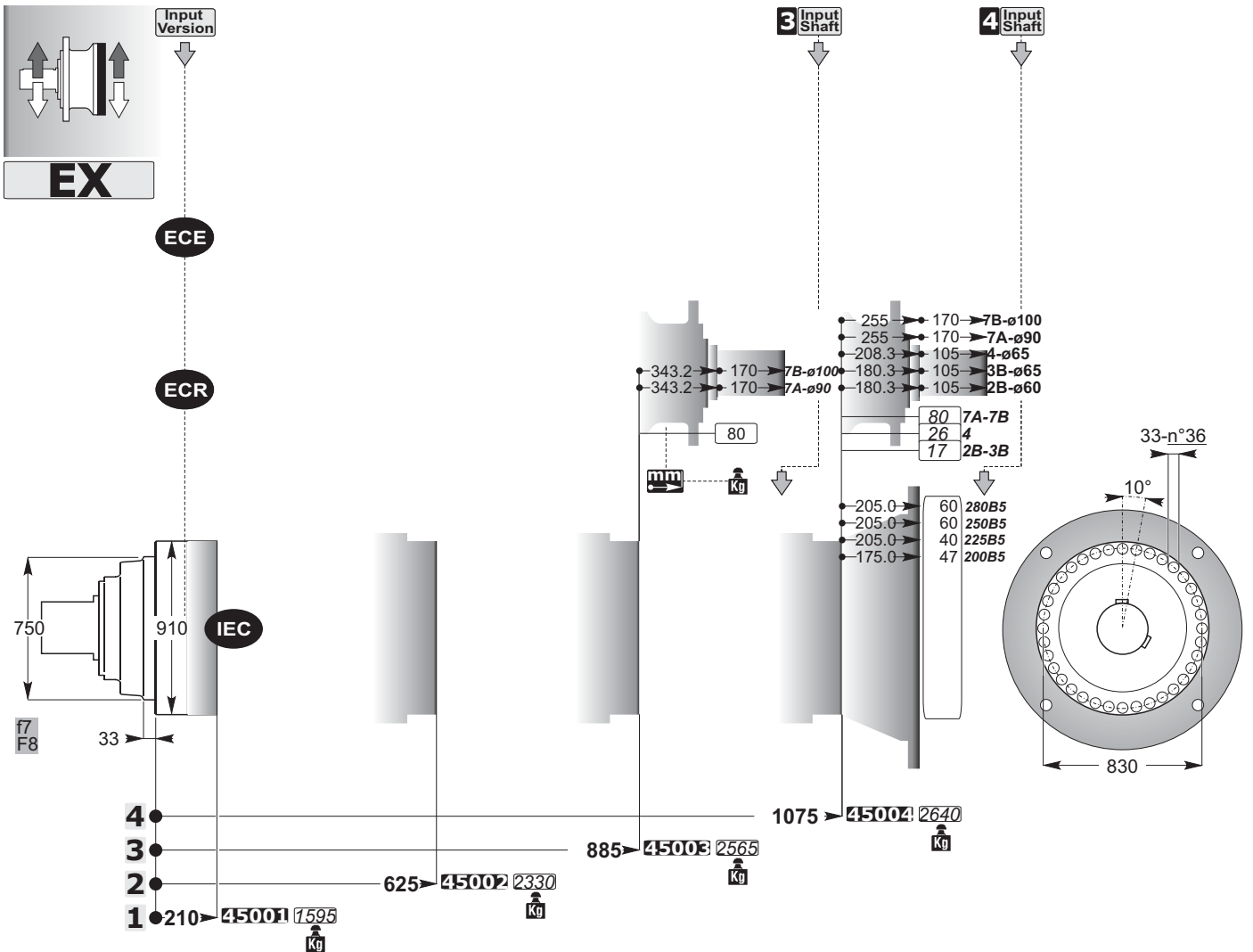


Output Shafts

EXB

non disponibile
not available
nicht verfügbar



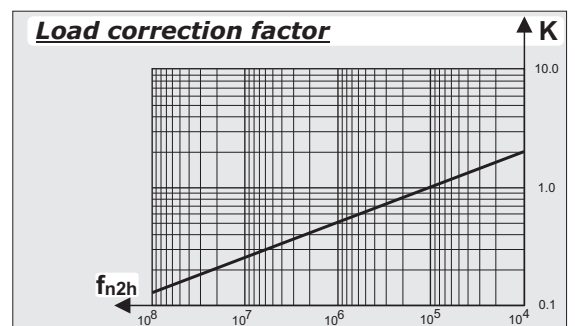
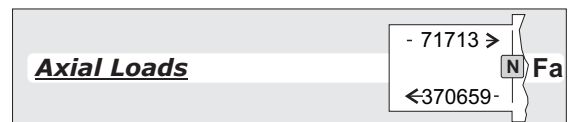
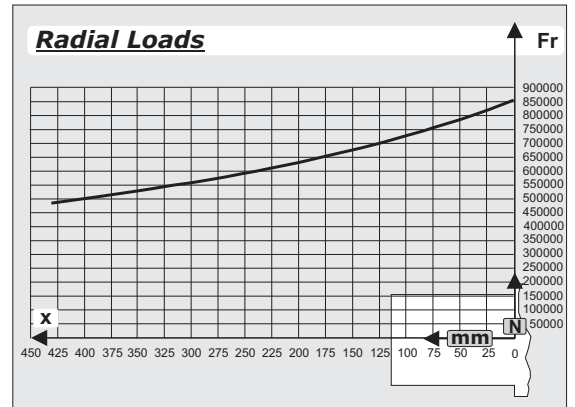
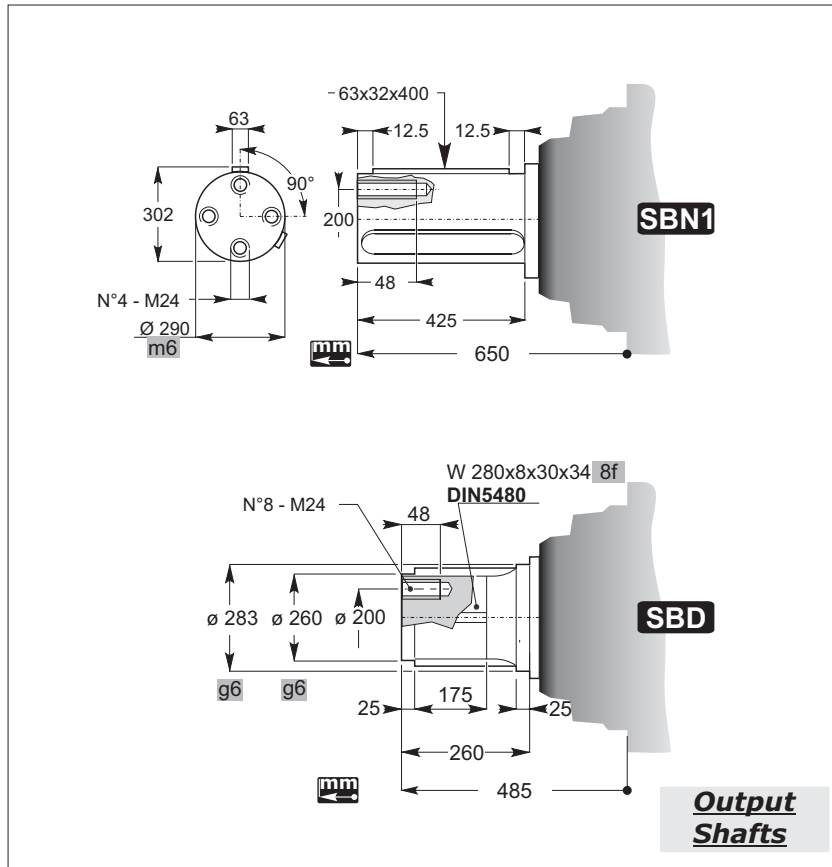
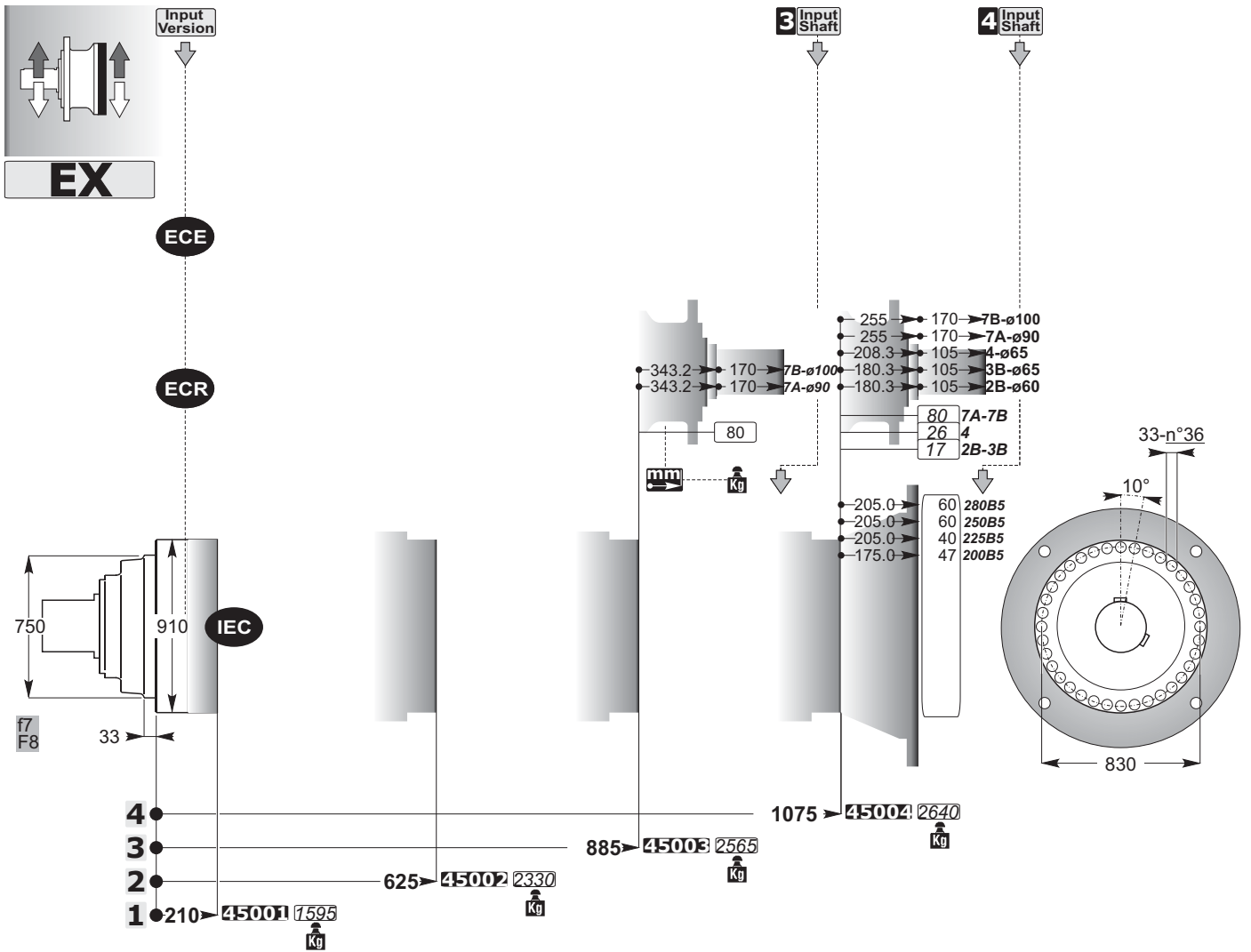


EXB

non disponibile
not available
nicht verfügbar

	<p>ID</p> <p>N 280x8x30x34 9H DIN5480</p> <table border="1"> <thead> <tr> <th>ID</th> <th>m</th> <th>Z</th> <th>X</th> <th>De</th> </tr> </thead> <tbody> <tr><td></td><td></td><td></td><td></td><td></td></tr> <tr><td></td><td></td><td></td><td></td><td></td></tr> <tr><td></td><td></td><td></td><td></td><td></td></tr> <tr><td></td><td></td><td></td><td></td><td></td></tr> <tr><td></td><td></td><td></td><td></td><td></td></tr> <tr><td></td><td></td><td></td><td></td><td></td></tr> <tr><td></td><td></td><td></td><td></td><td></td></tr> <tr><td></td><td></td><td></td><td></td><td></td></tr> <tr><td></td><td></td><td></td><td></td><td></td></tr> <tr><td></td><td></td><td></td><td></td><td></td></tr> </tbody> </table> <p><i>On request</i></p>	ID	m	Z	X	De																																																			<p>FF</p> <p>ID</p> <p>BD</p> <p>Accessories</p>
ID	m	Z	X	De																																																					
<p>FF</p> <p><i>On request</i></p>	<p>BD</p> <p>N280x8x30x34 9H DIN5480</p> <p><i>On request</i></p>																																																								

mm
C



EXB

non disponibile
not available
nicht verfügbar

ID

N 280x8x30x34 9H
DIN5480

ID	m	Z	X	De

On request

FF

On request

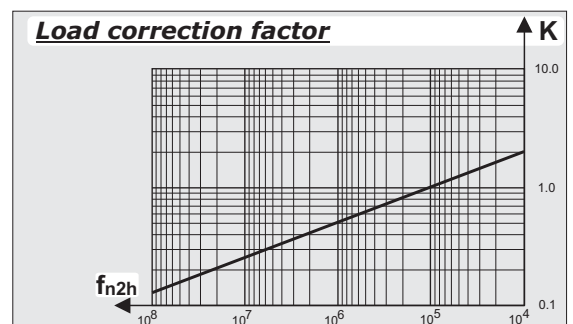
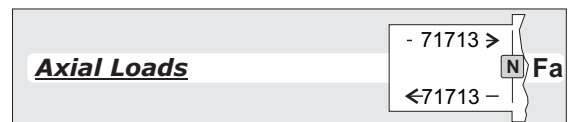
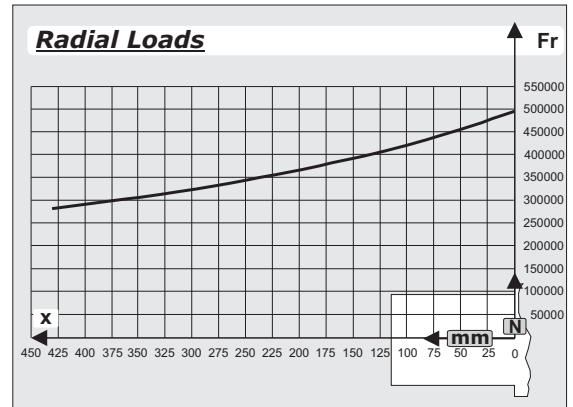
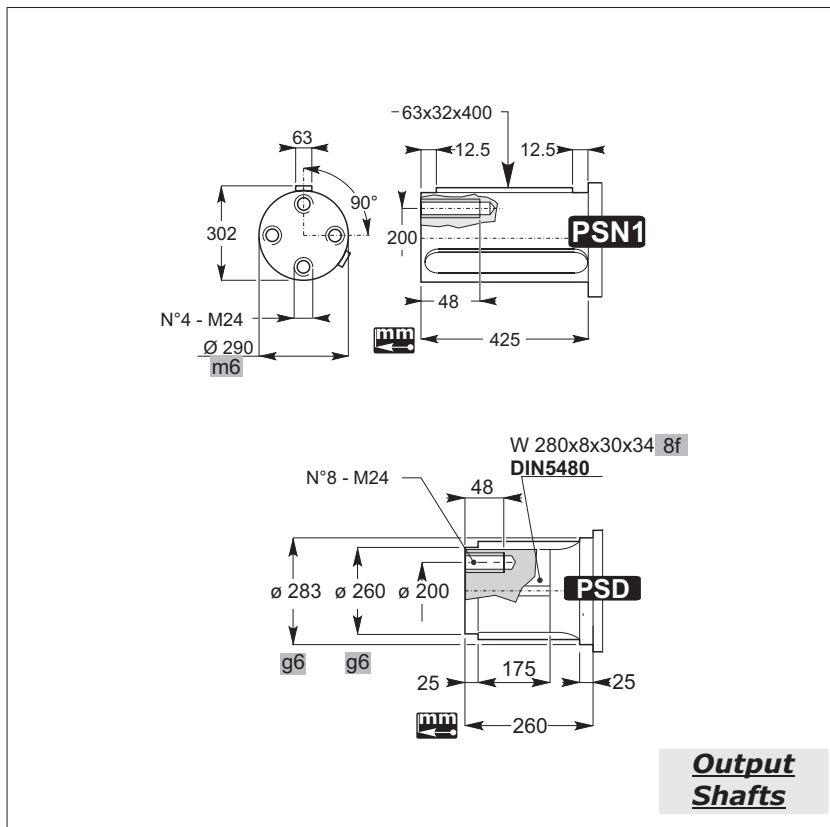
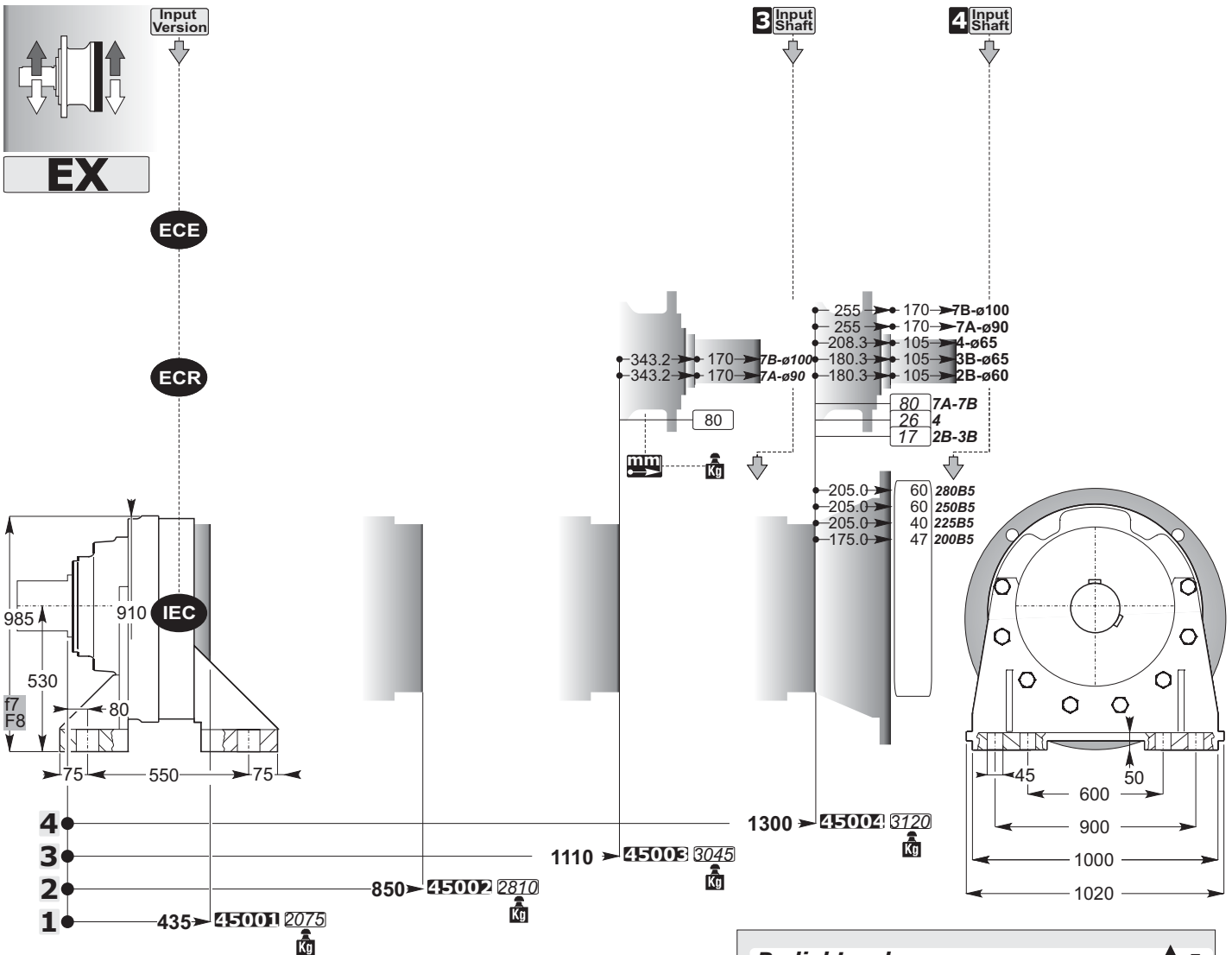
BD

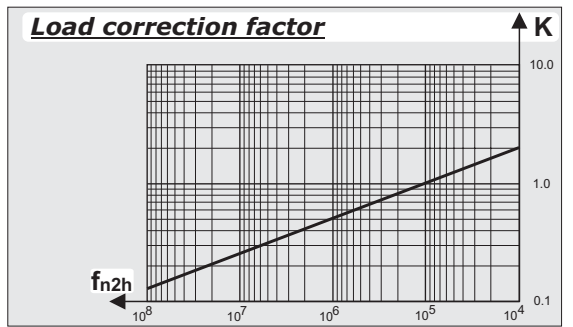
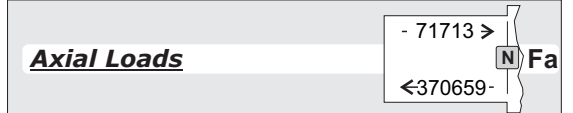
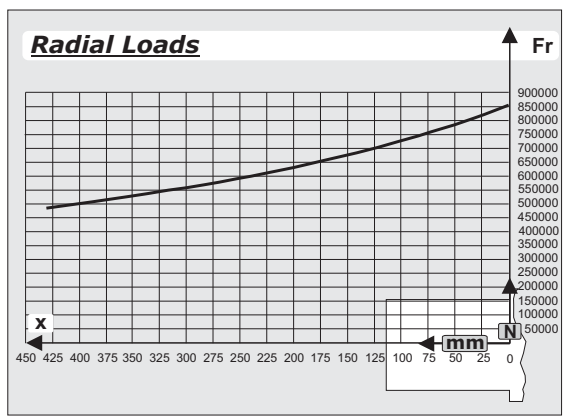
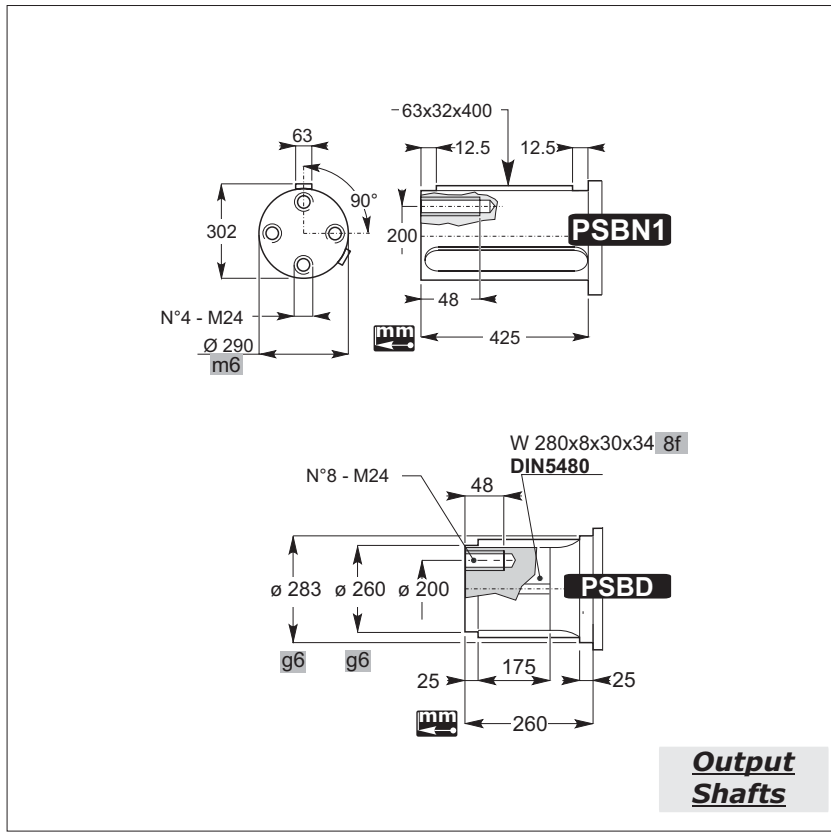
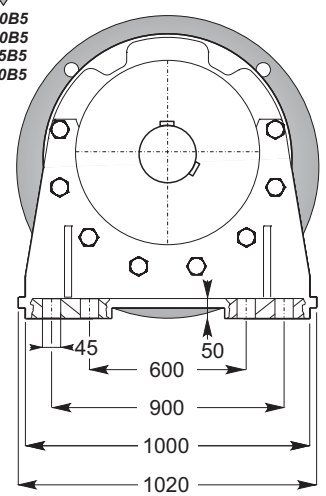
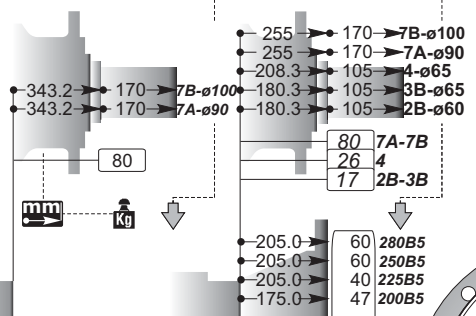
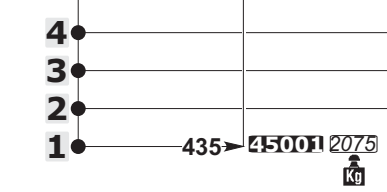
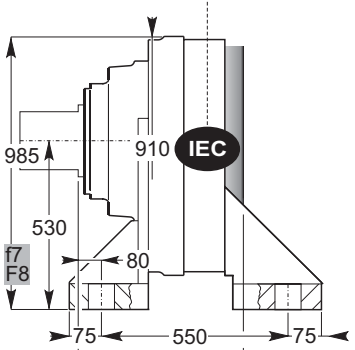
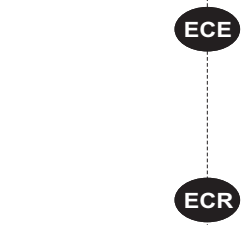
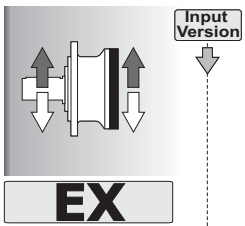
N280x8x30x34 9H
DIN5480

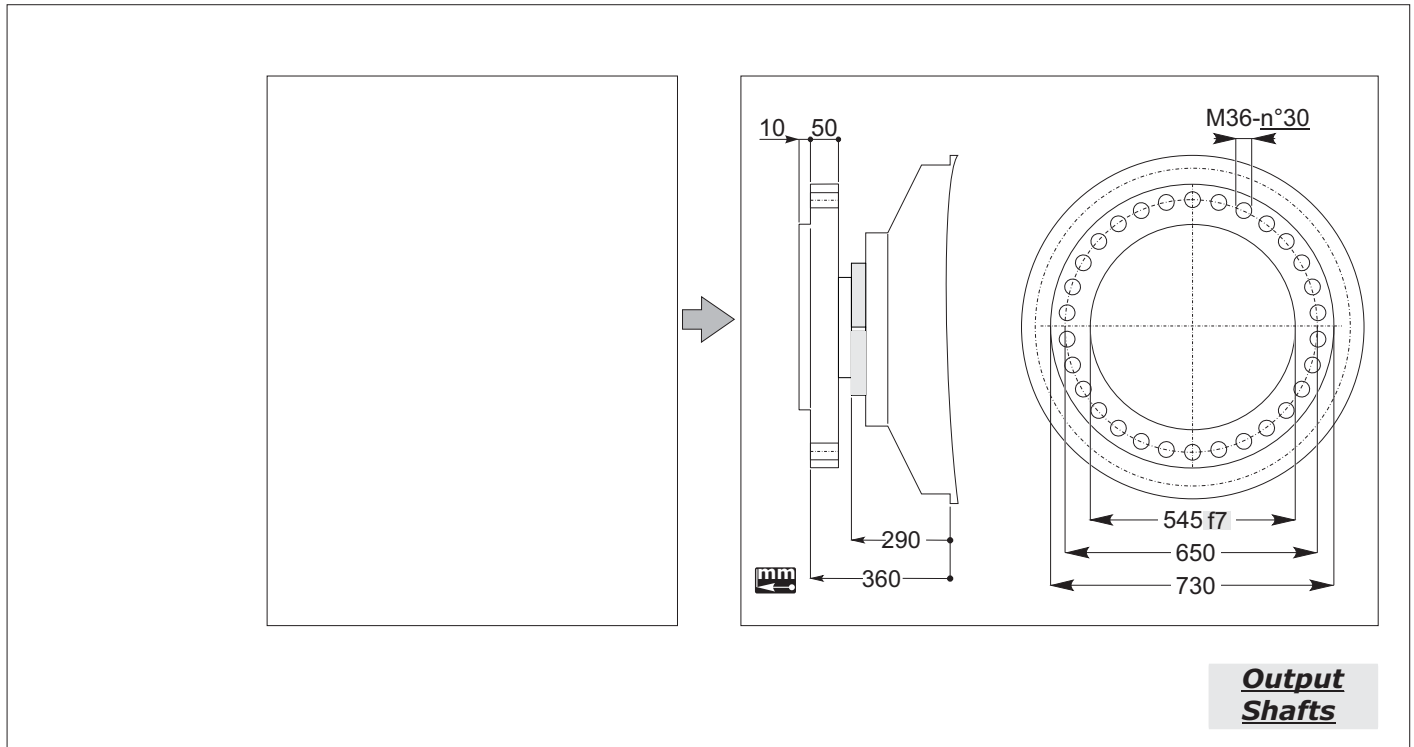
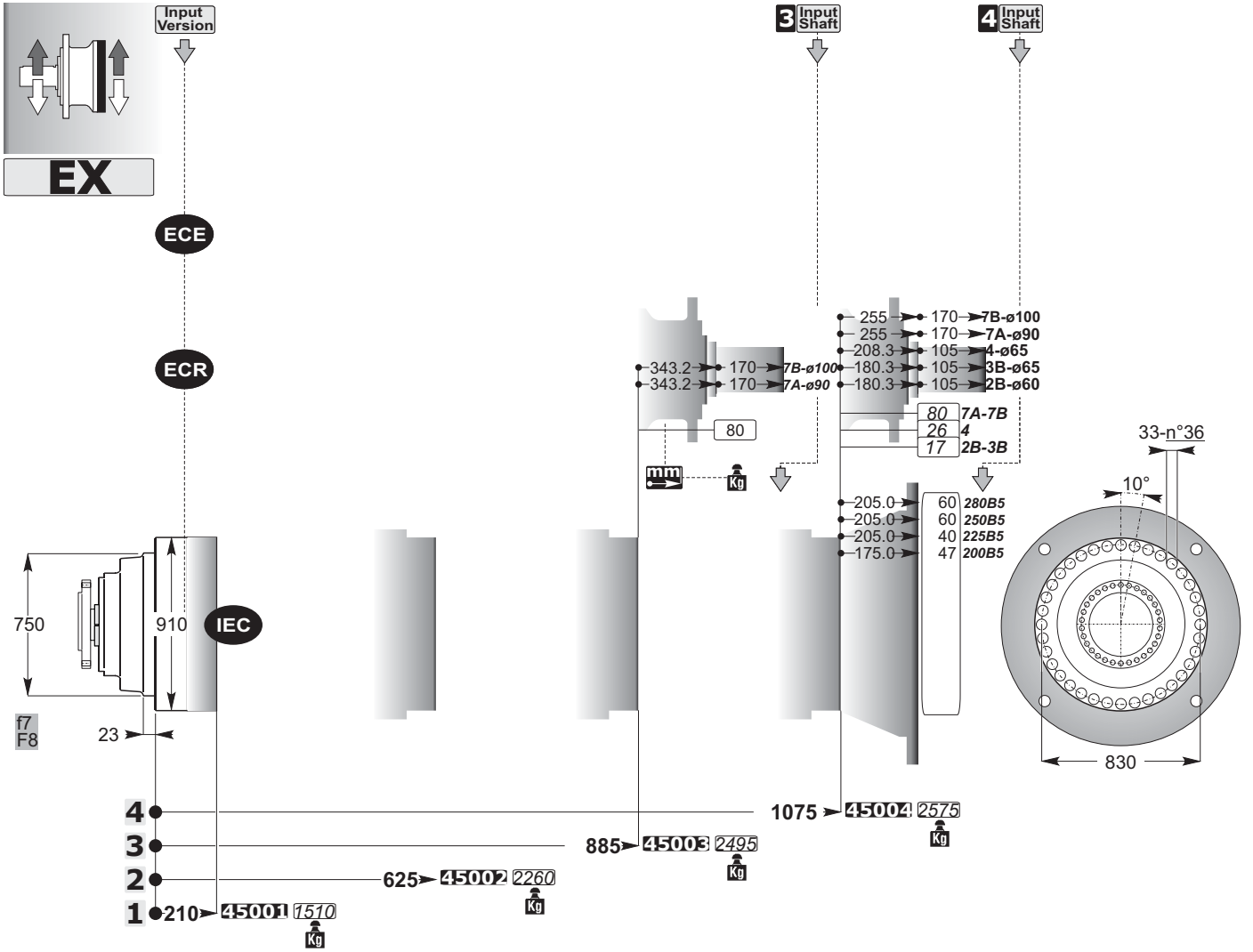
On request

Accessories



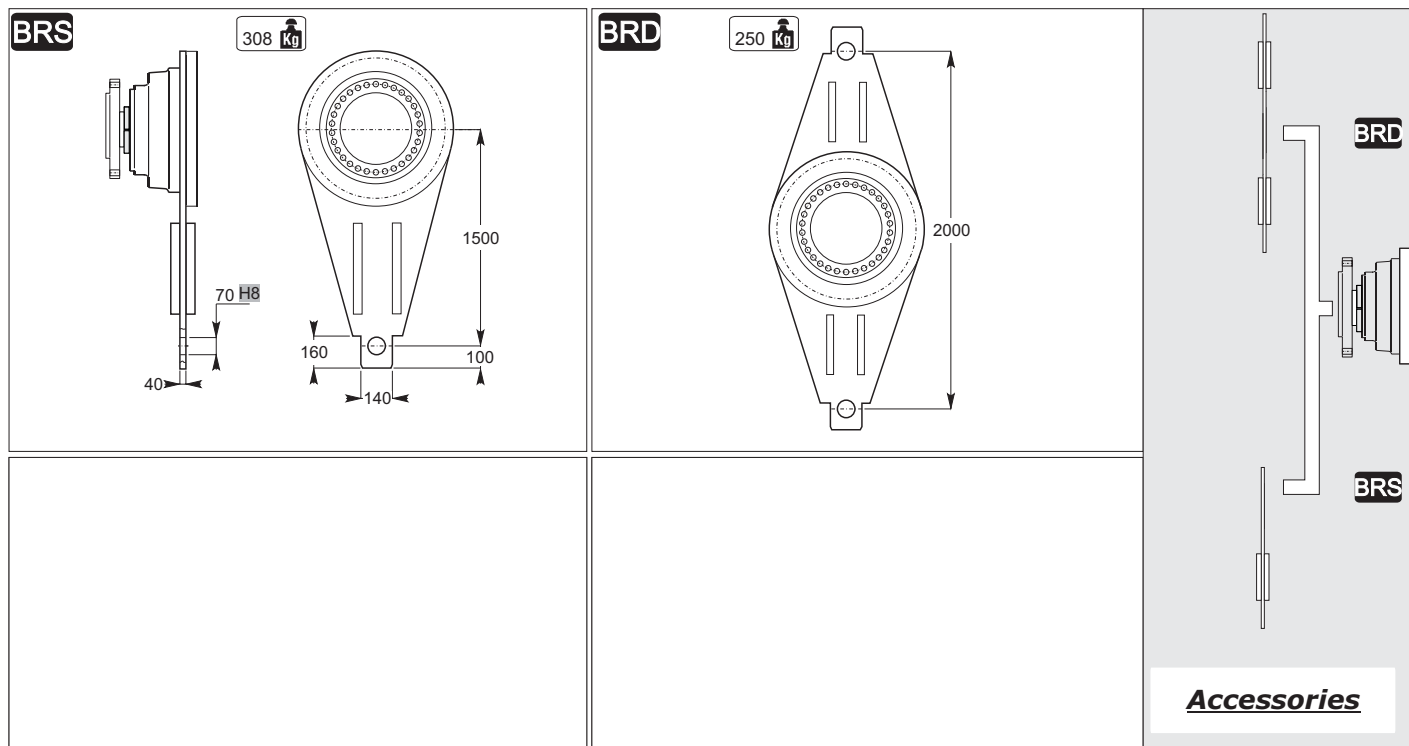


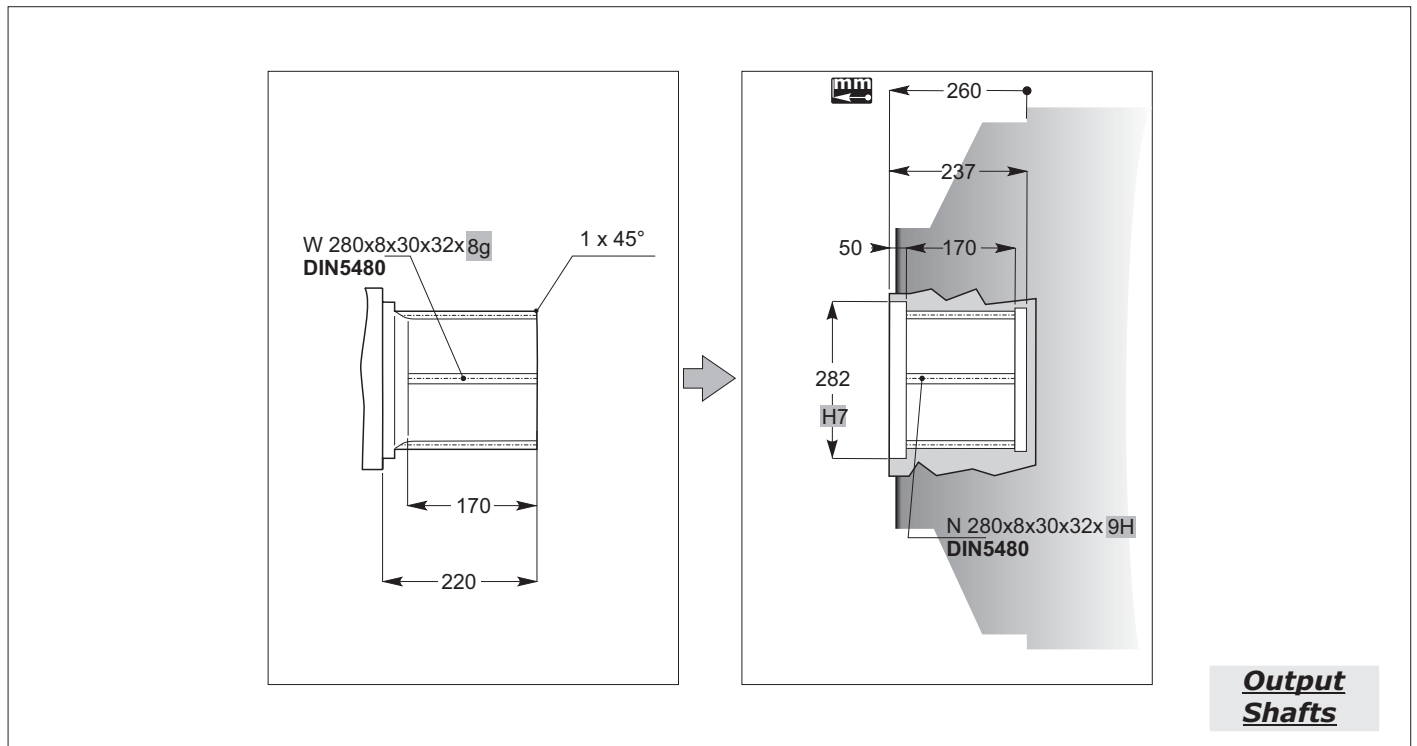
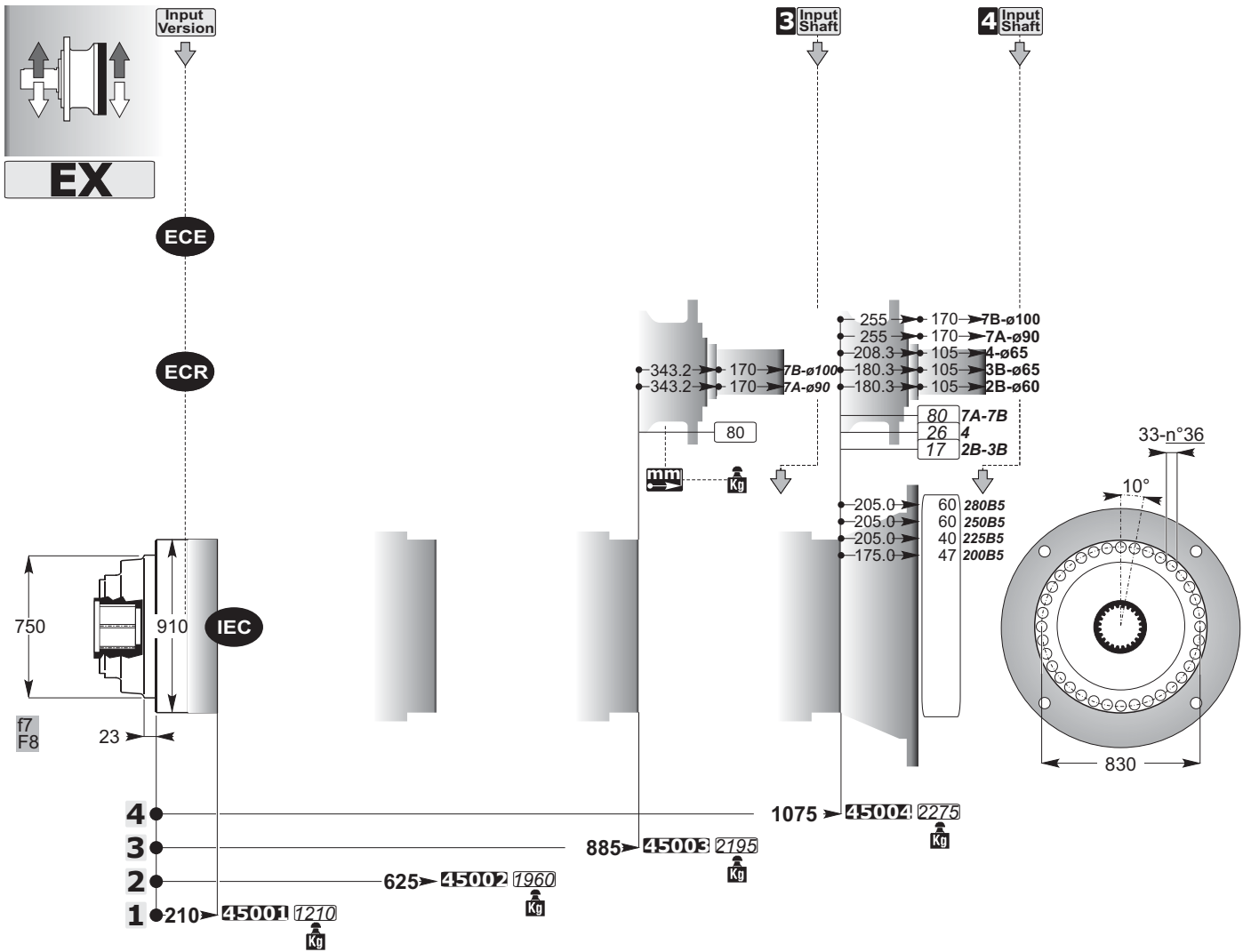




EXB

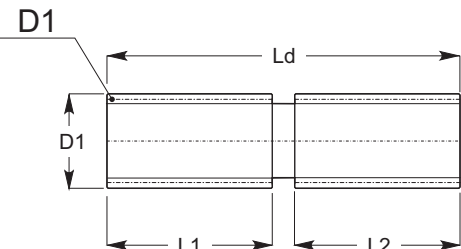

**non disponibile
not available
nicht verfügbar**



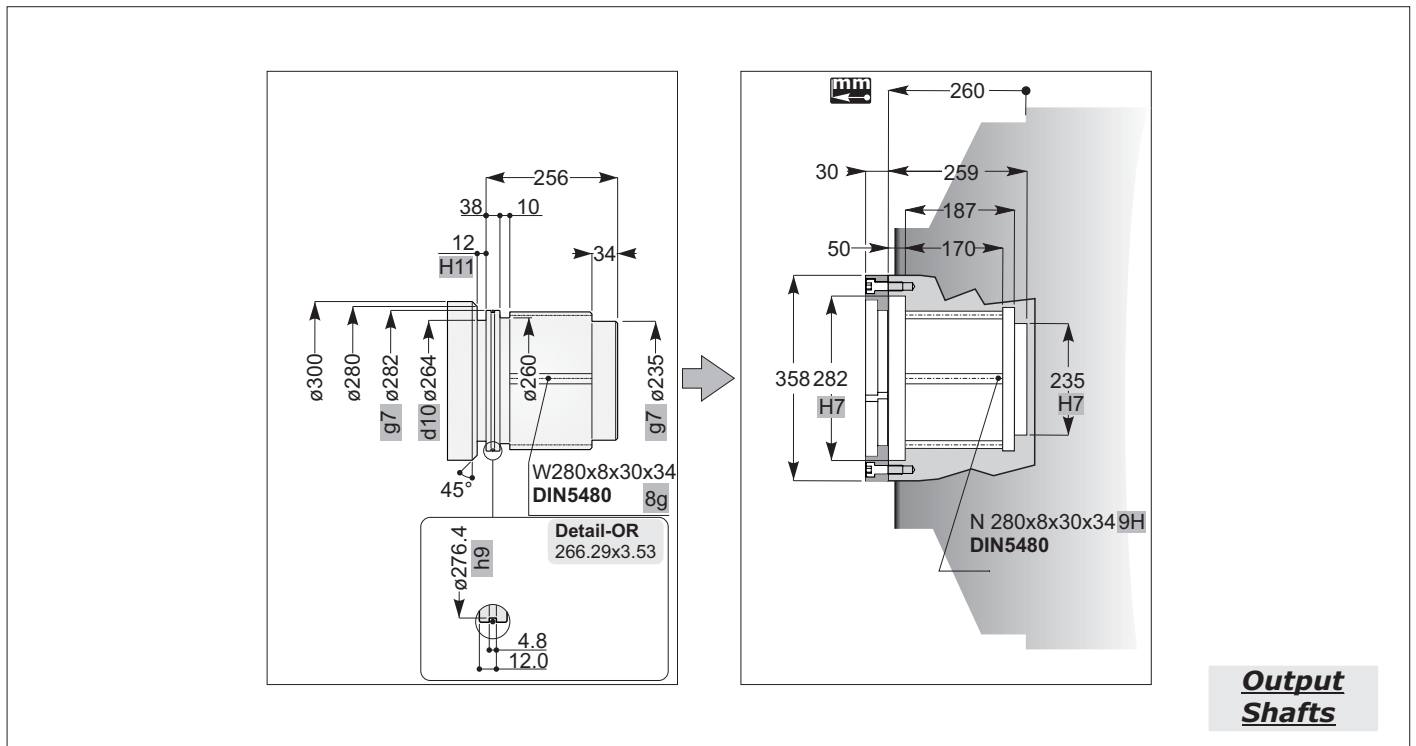
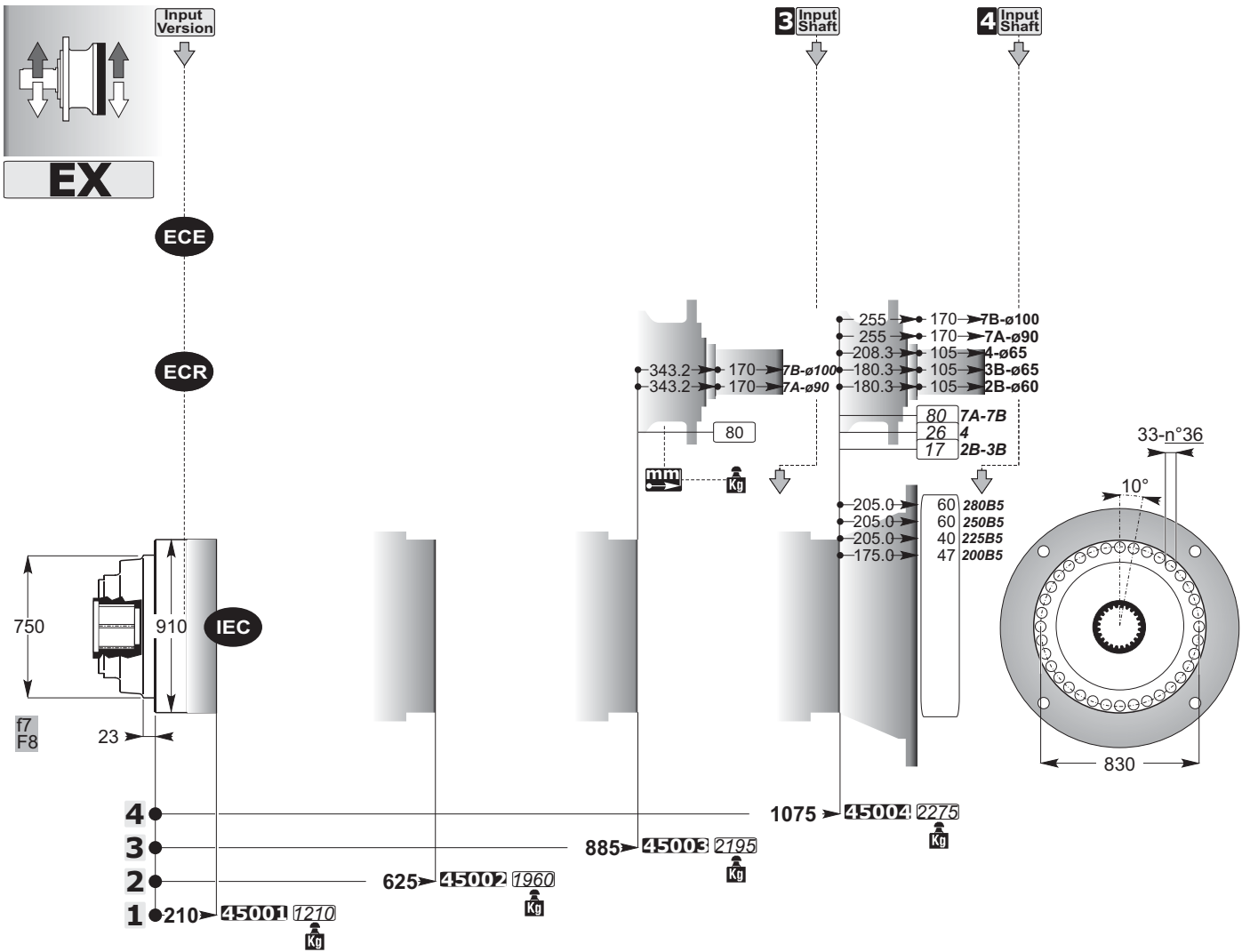


EXB

non disponibile
not available
nicht verfügbar

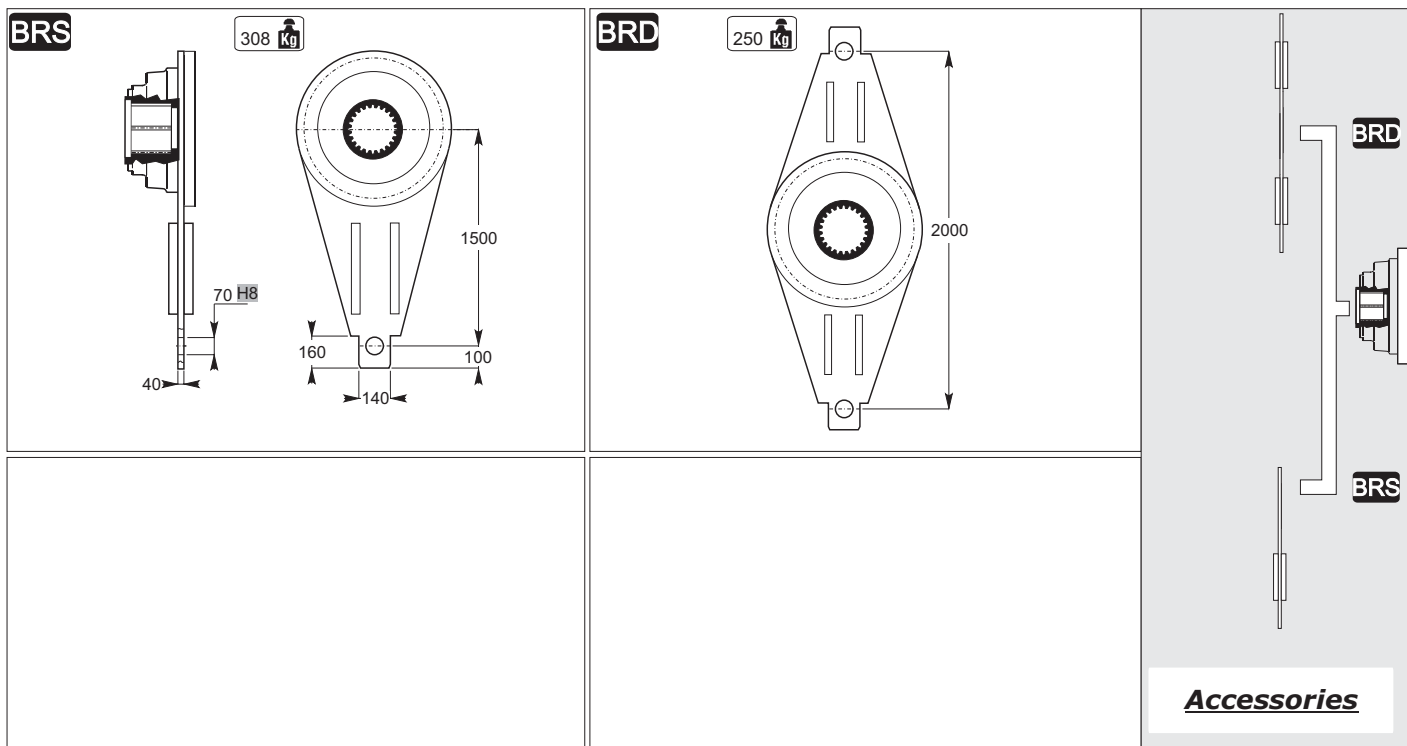
<p>SD</p>  <p>On request</p>		<p>SD</p>  <p>Accessories</p>

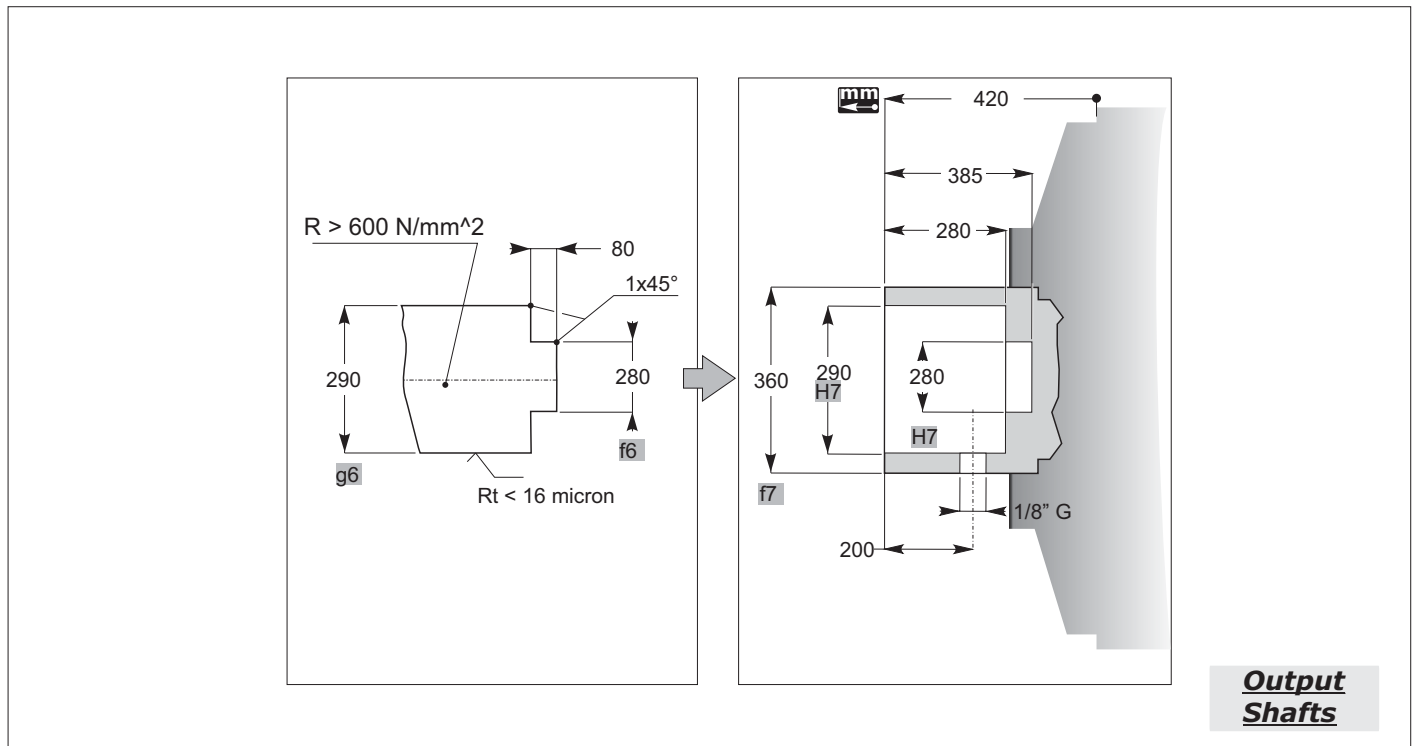
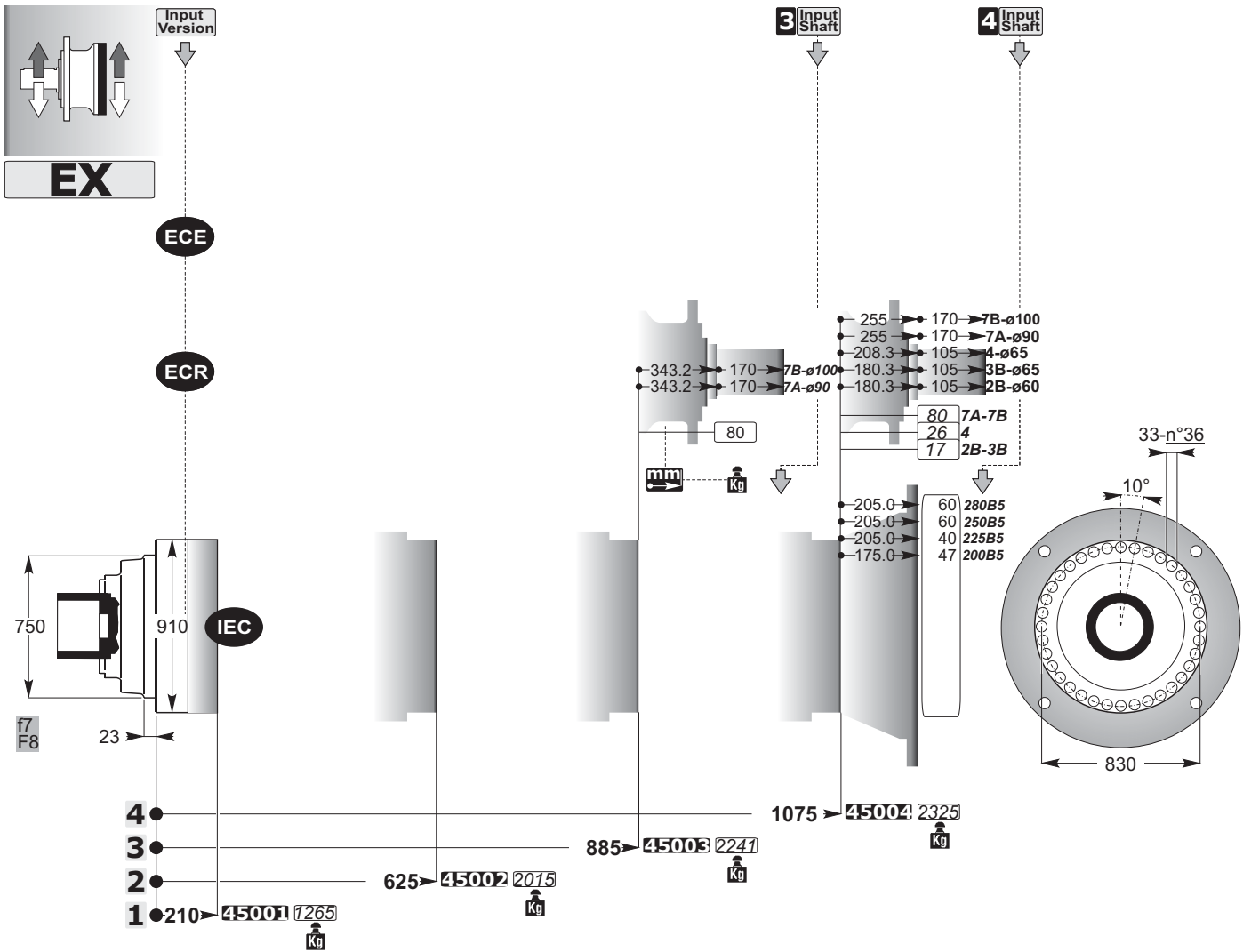
mm
C



EXB

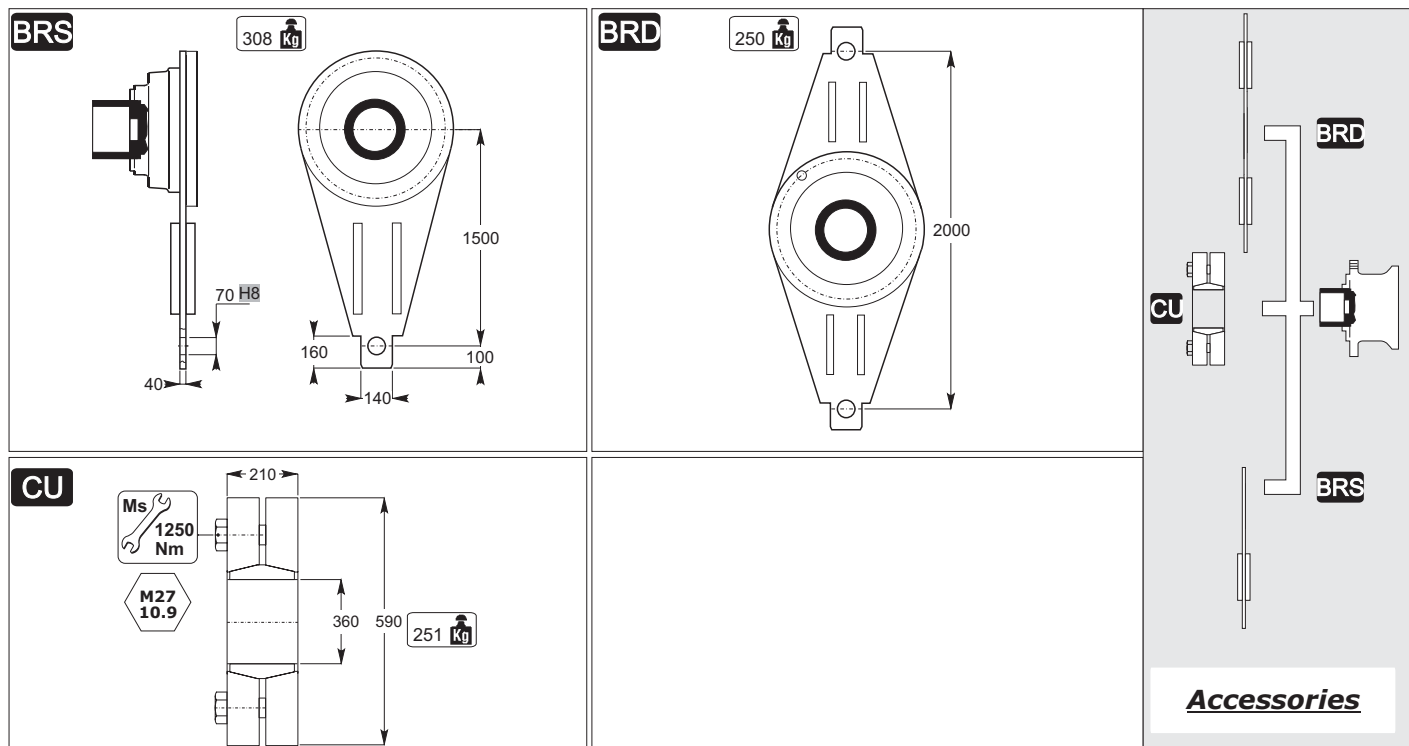
**non disponibile
not available
nicht verfügbar**

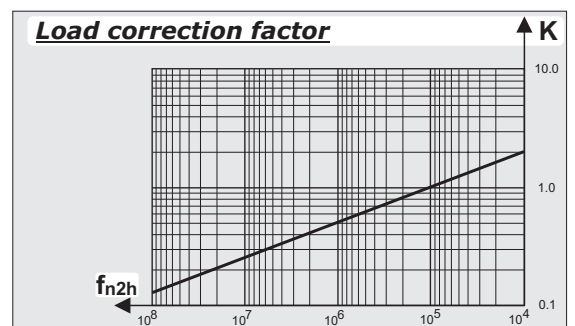
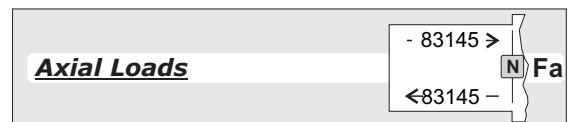
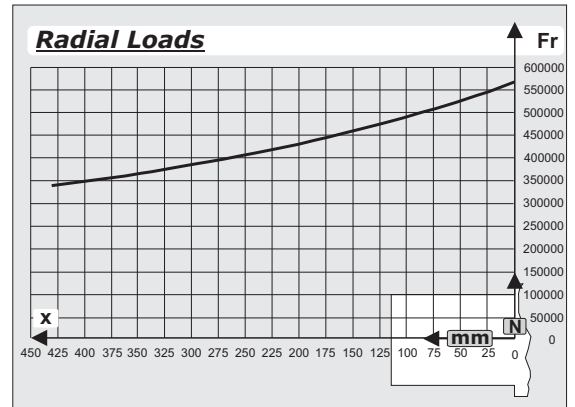
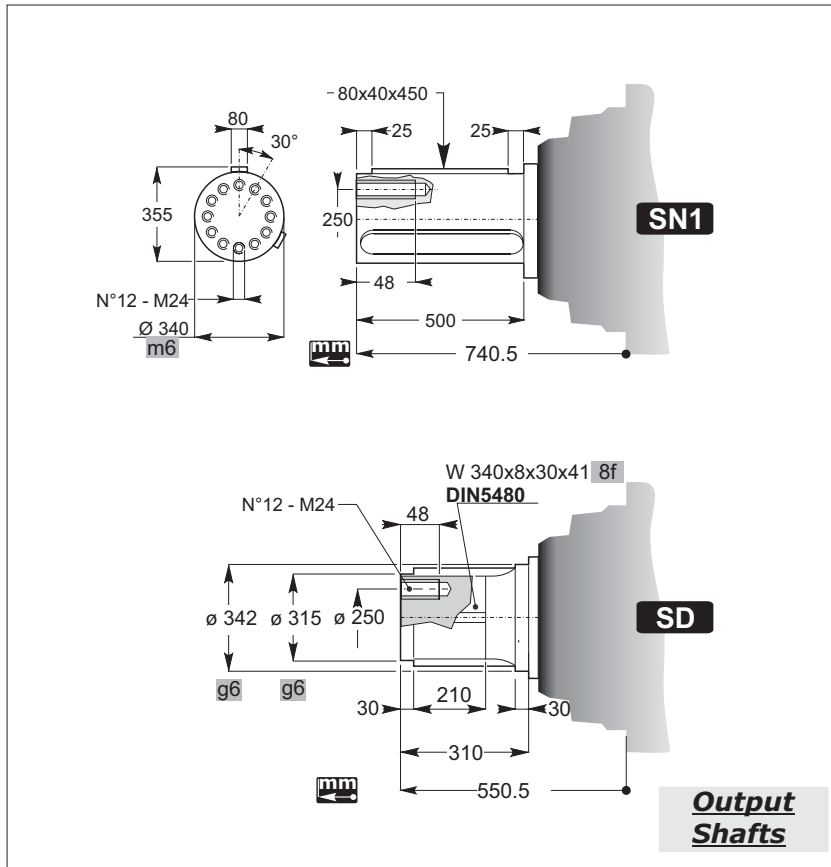
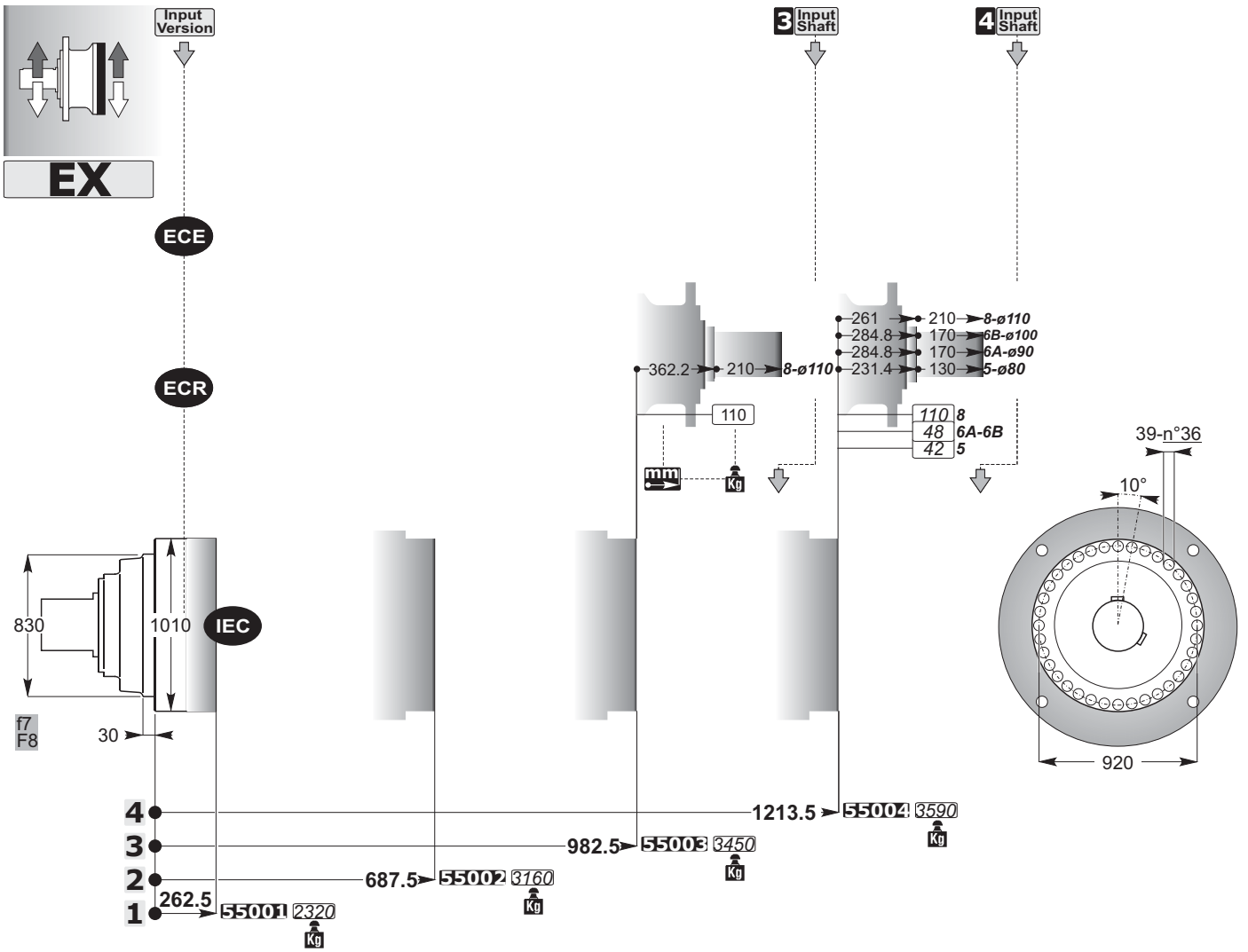




EXB

non disponibile
not available
nicht verfügbar





EXB

non disponibile
not available
nicht verfügbar

ID

N 340x8x30x41 9H
DIN5480

ID	m	Z	X	De
-	-	-	-	-
-	-	-	-	-
-	-	-	-	-
-	-	-	-	-
-	-	-	-	-
-	-	-	-	-
-	-	-	-	-
-	-	-	-	-
-	-	-	-	-
-	-	-	-	-
-	-	-	-	-
-	-	-	-	-
-	-	-	-	-
-	-	-	-	-
-	-	-	-	-

On request

FF

On request

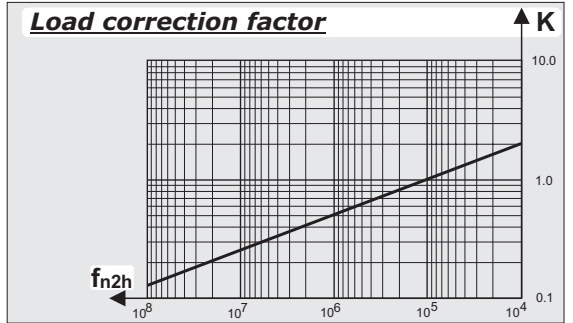
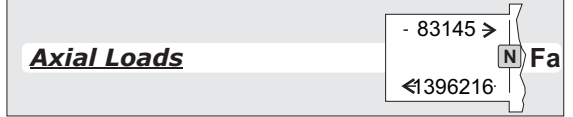
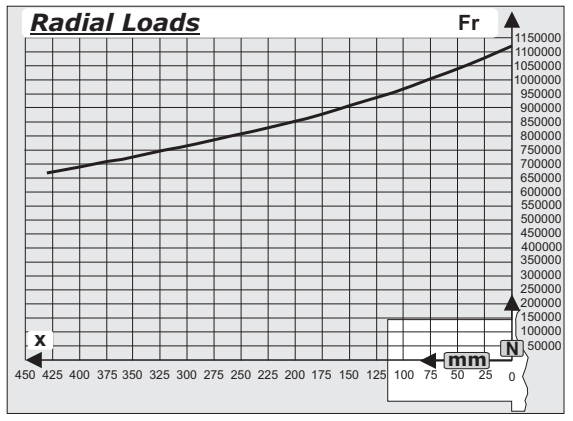
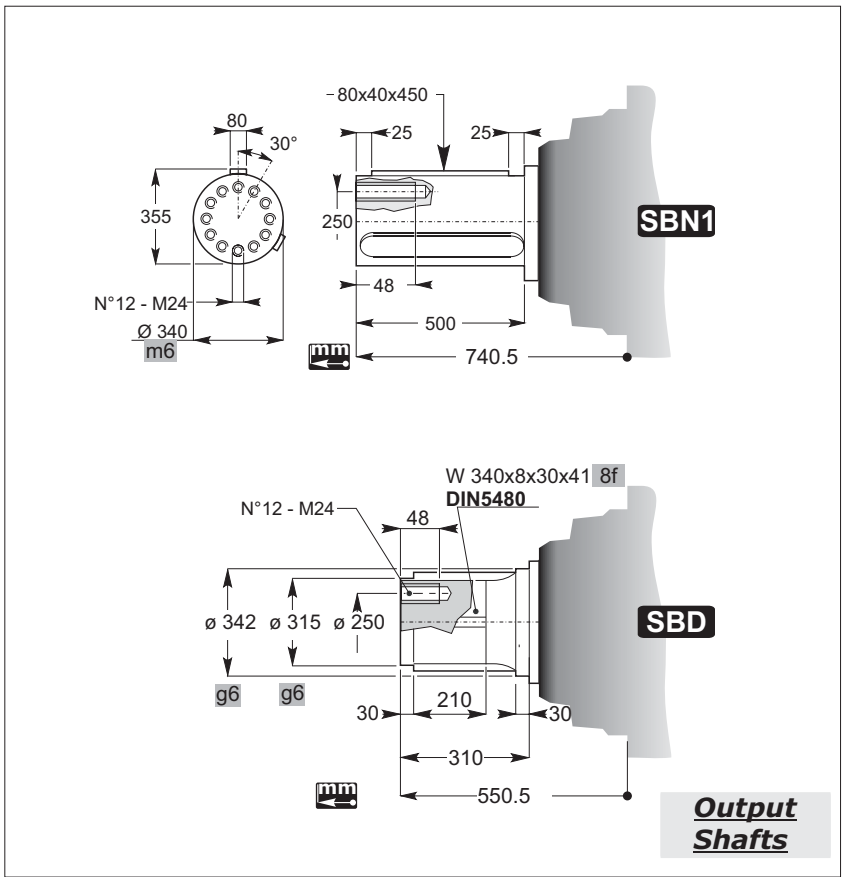
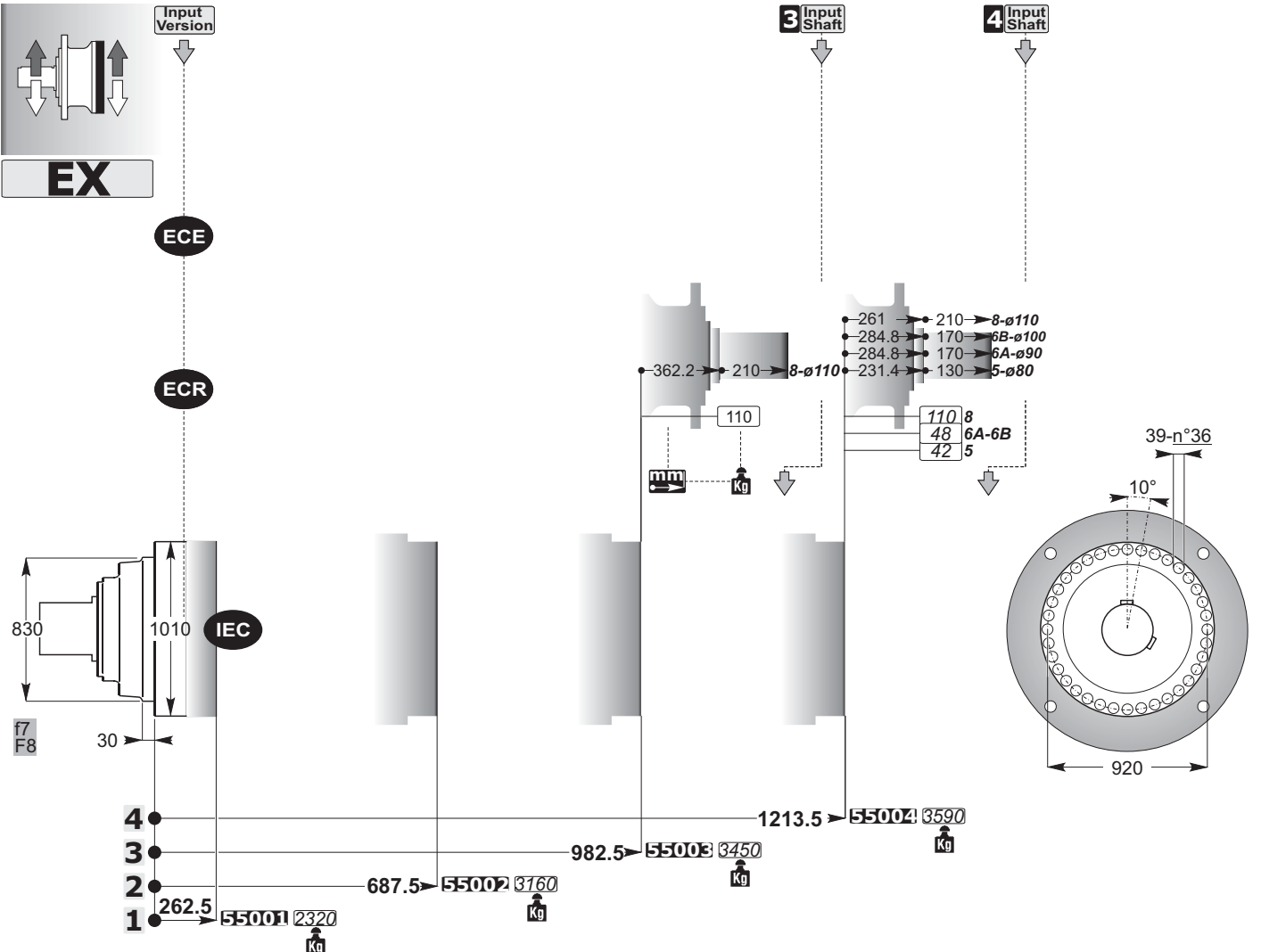
BD

N340x8x30x41 9H
DIN5480

On request

Accessories

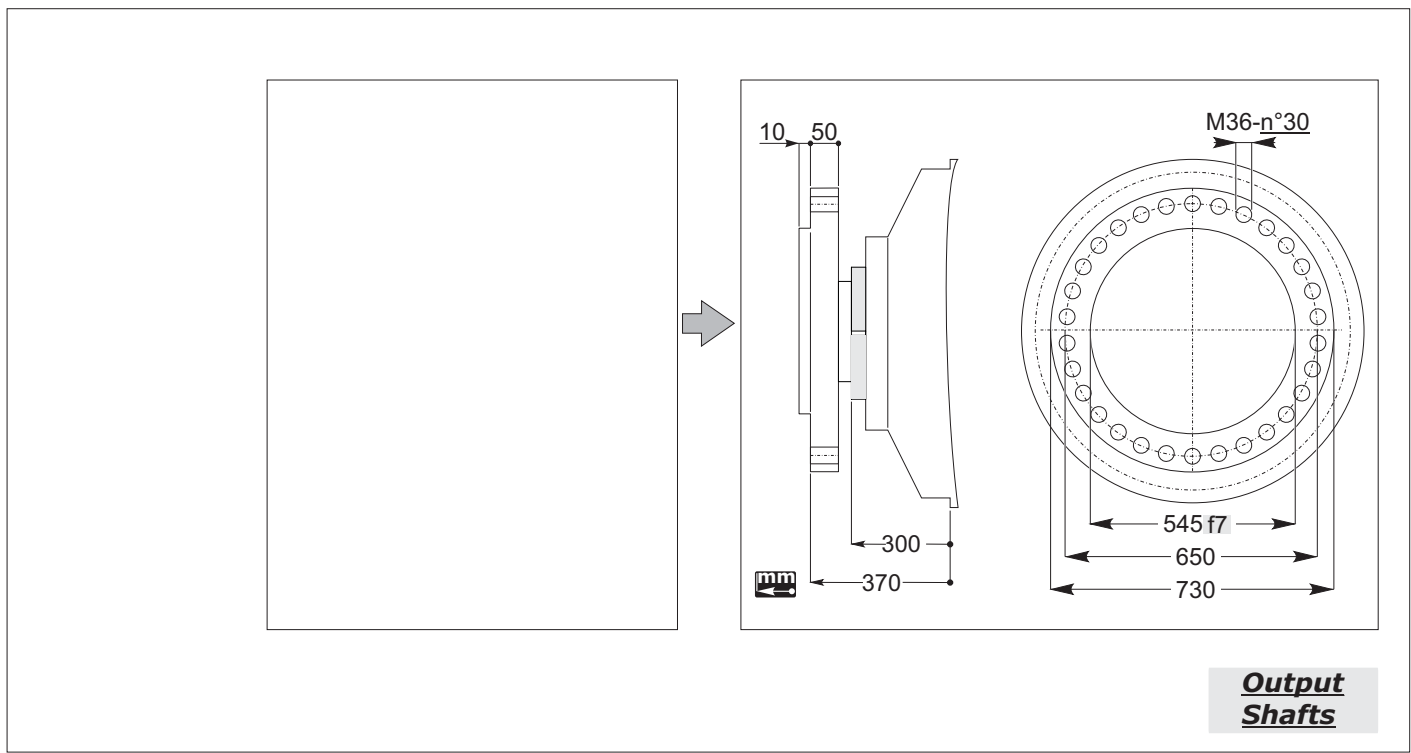
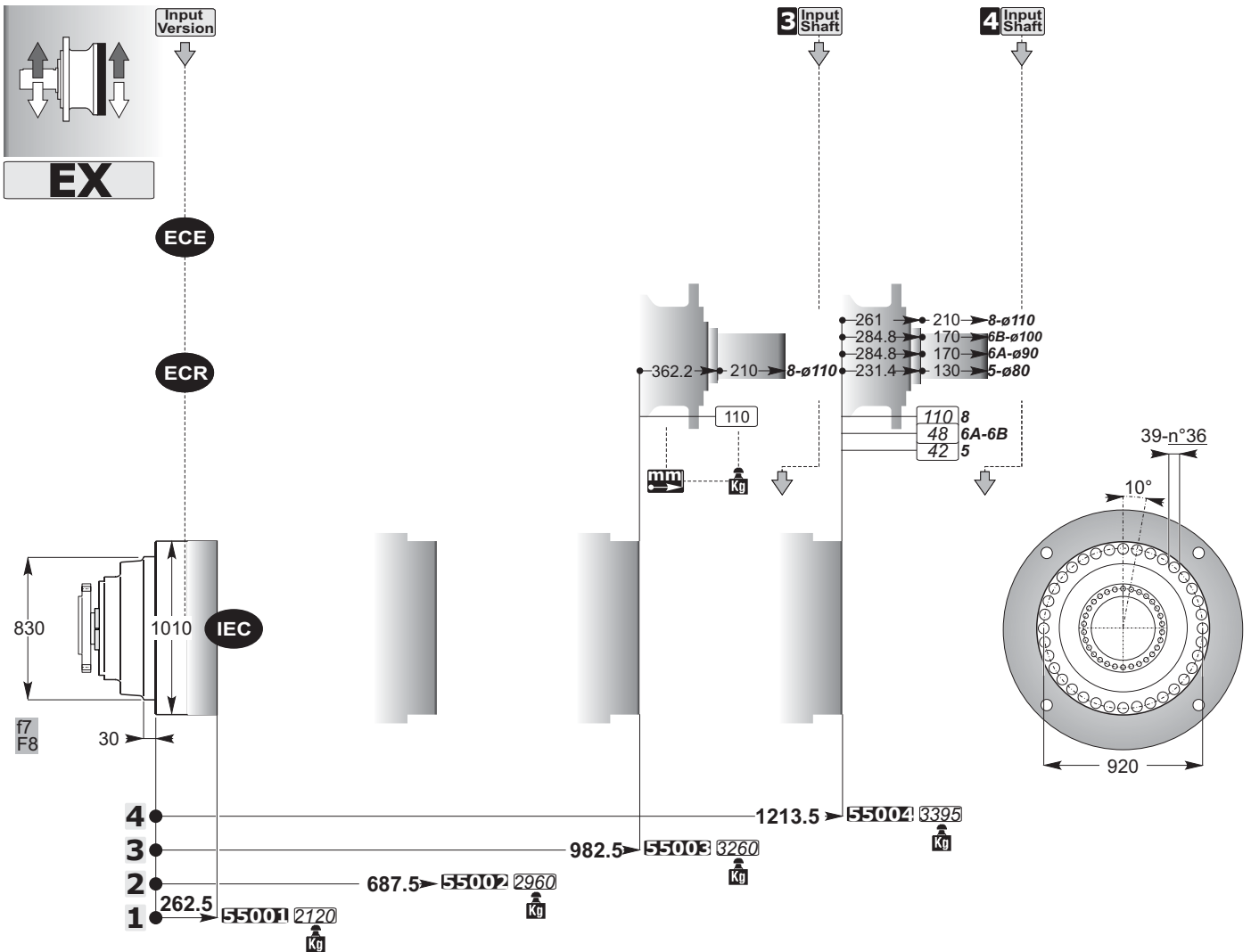
mm
C



EXB

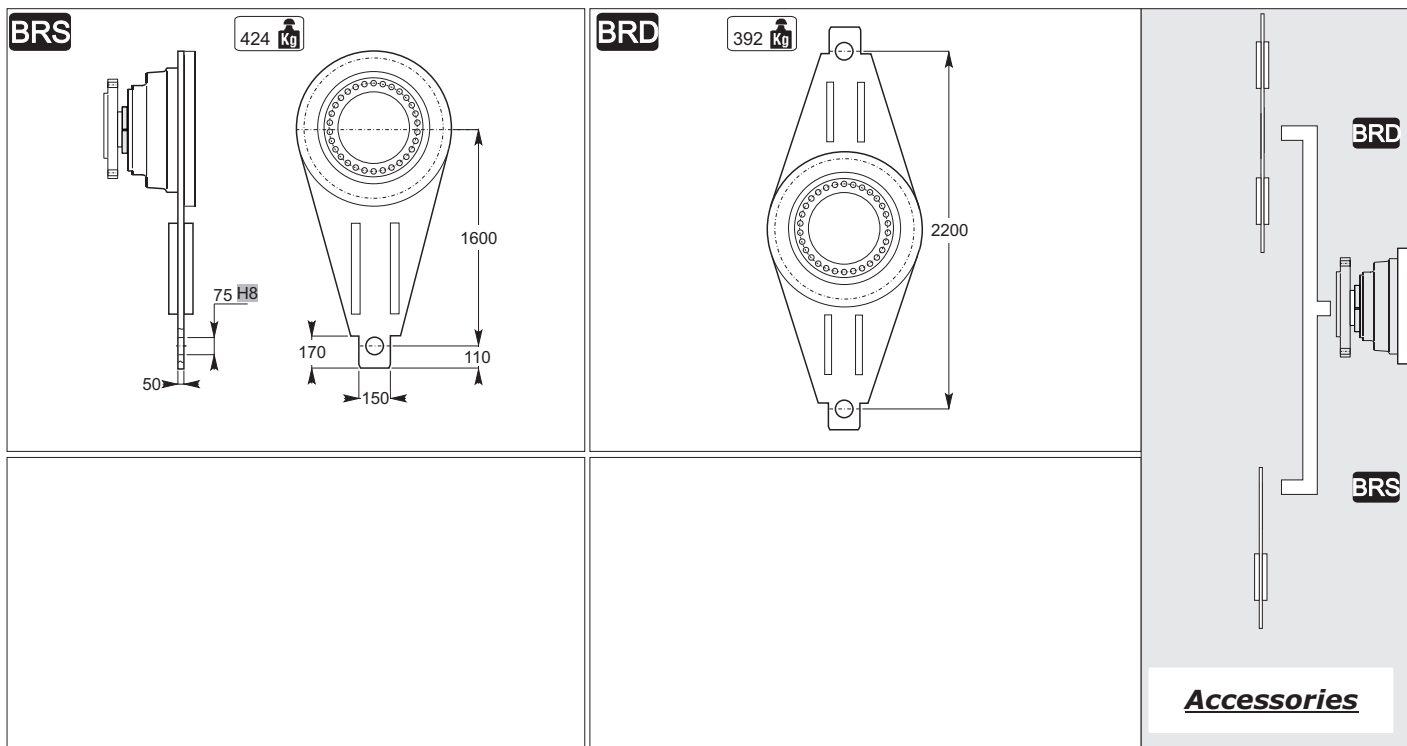
non disponibile
not available
nicht verfügbar

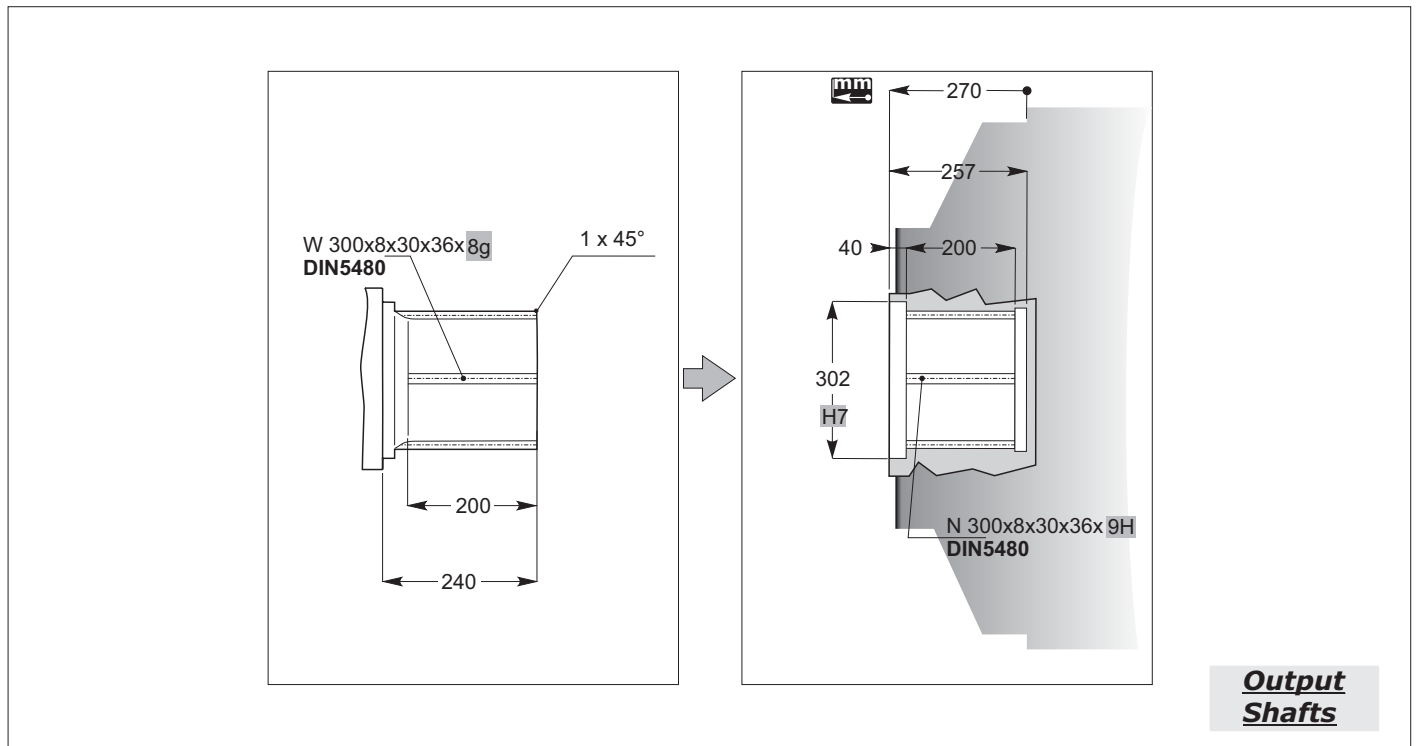
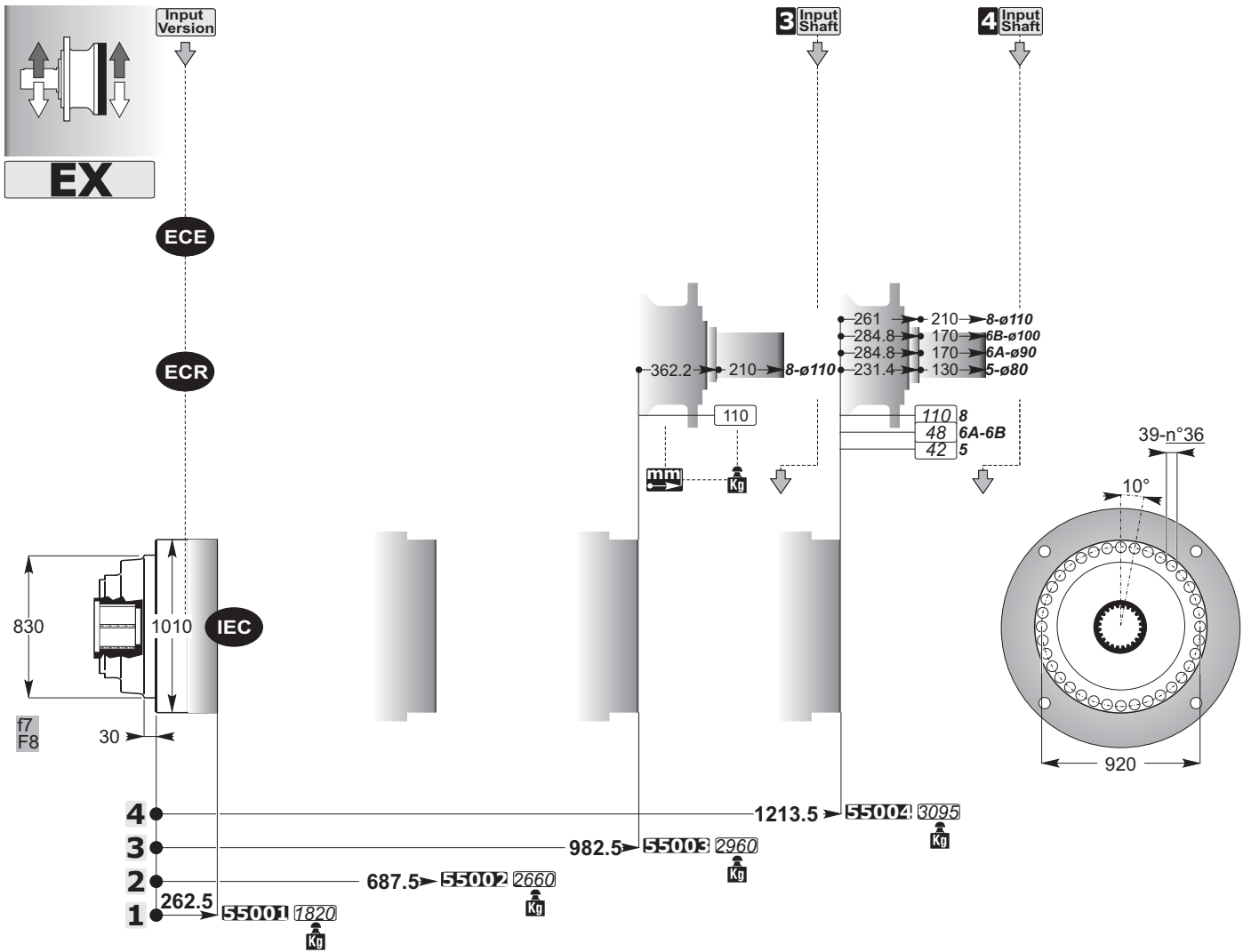
	<p>ID</p> <p>N 340x8x30x41 9H DIN5480</p> <table border="1" style="float: right; margin-left: 20px;"> <thead> <tr> <th>ID</th> <th>m</th> <th>Z</th> <th>X</th> <th>De</th> </tr> </thead> <tbody> <tr><td> </td><td>-</td><td>-</td><td>-</td><td>-</td></tr> <tr><td> </td><td> </td><td> </td><td> </td><td> </td></tr> <tr><td> </td><td> </td><td> </td><td> </td><td> </td></tr> <tr><td> </td><td> </td><td> </td><td> </td><td> </td></tr> <tr><td> </td><td> </td><td> </td><td> </td><td> </td></tr> <tr><td> </td><td> </td><td> </td><td> </td><td> </td></tr> <tr><td> </td><td> </td><td> </td><td> </td><td> </td></tr> <tr><td> </td><td> </td><td> </td><td> </td><td> </td></tr> <tr><td> </td><td> </td><td> </td><td> </td><td> </td></tr> <tr><td> </td><td> </td><td> </td><td> </td><td> </td></tr> <tr><td> </td><td> </td><td> </td><td> </td><td> </td></tr> </tbody> </table> <p style="text-align: center;">On request</p>	ID	m	Z	X	De		-	-	-	-																																																			<div style="text-align: center;">ID</div>
ID	m	Z	X	De																																																										
	-	-	-	-																																																										
<p>FF</p> <p style="text-align: center;">On request</p>	<p>BD</p> <p>N340x8x30x41 9H DIN5480</p> <p style="text-align: center;">On request</p>																																																													
<p>Accessories</p>																																																														



EXB

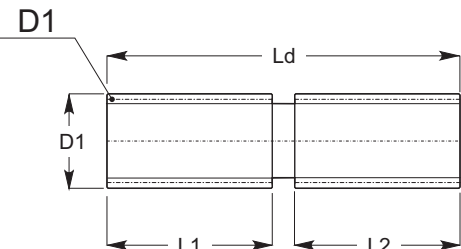

**non disponibile
not available
nicht verfügbar**



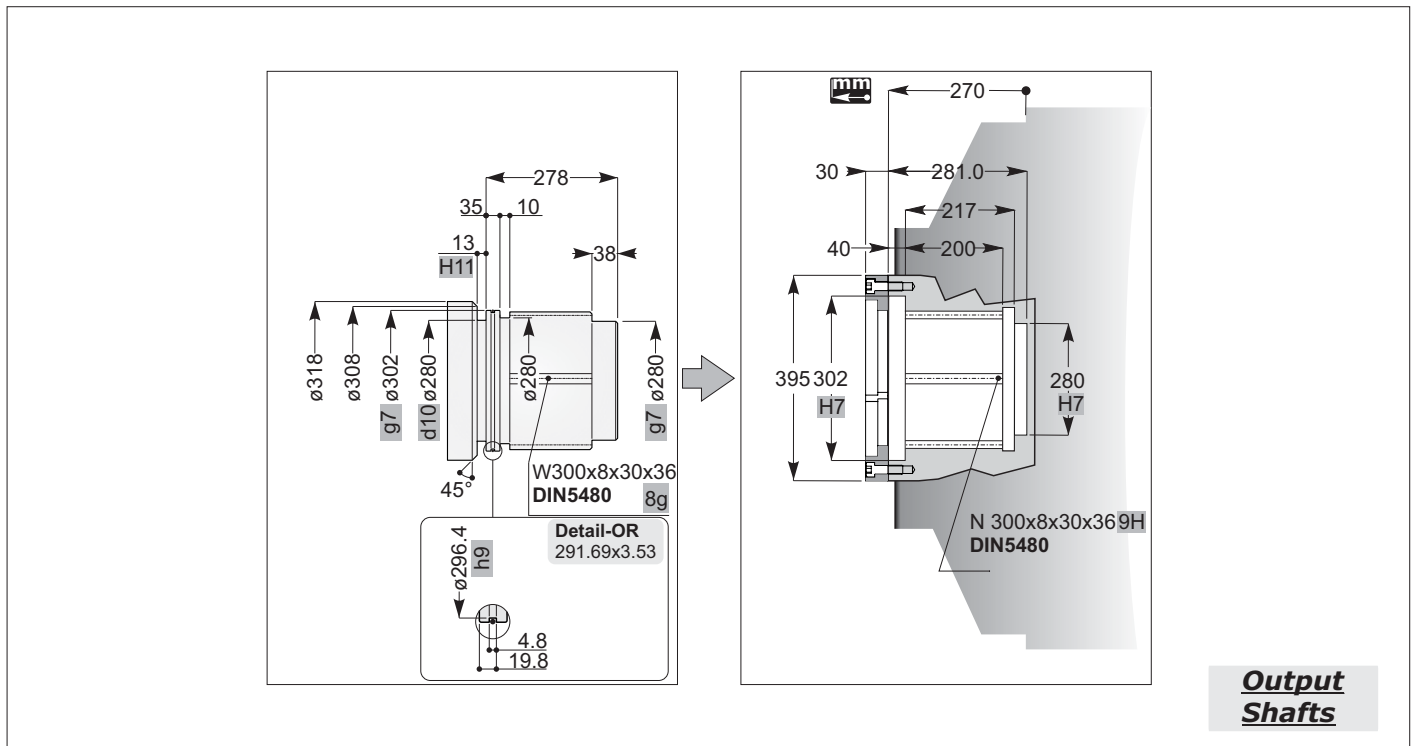
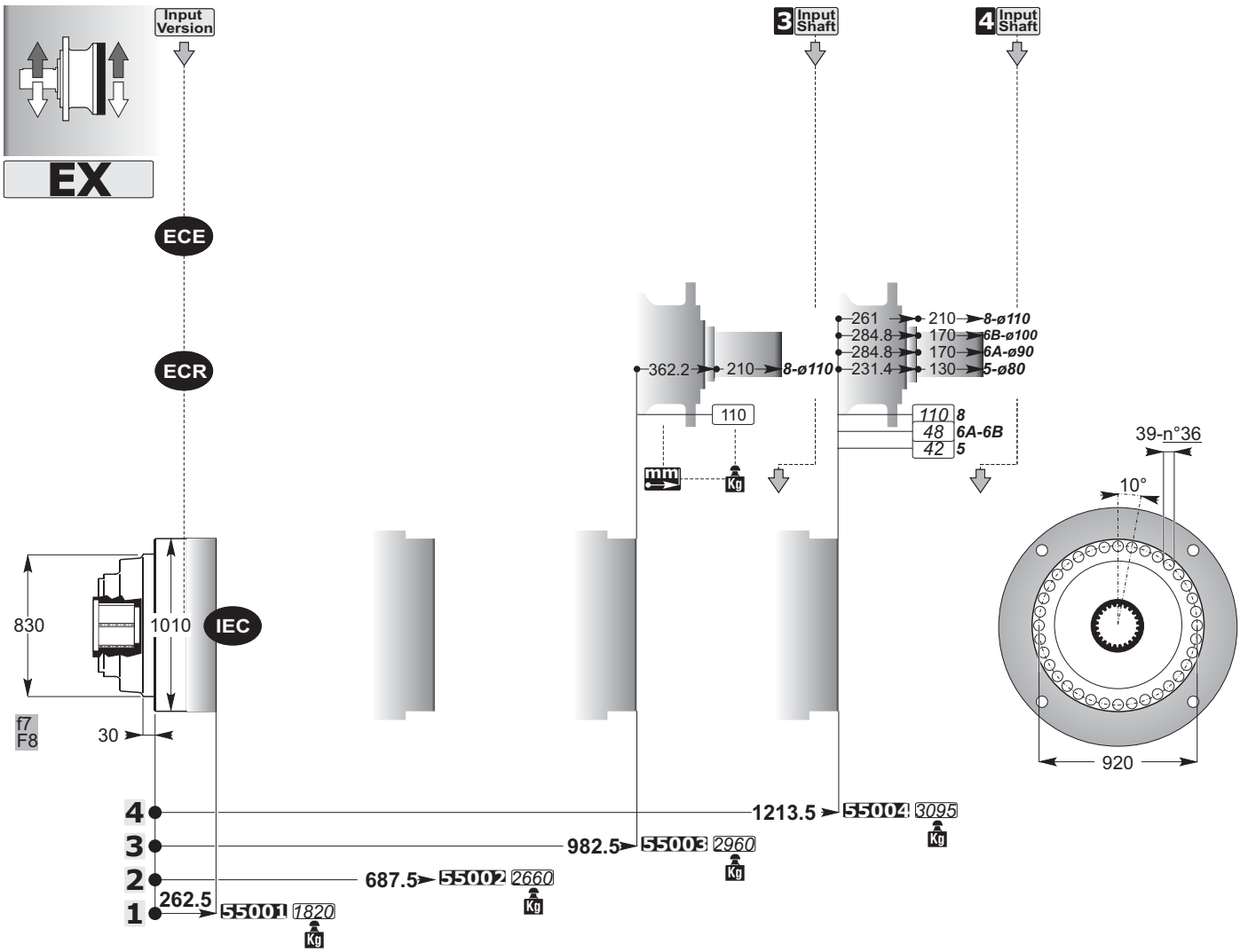


EXB

non disponibile
not available
nicht verfügbar

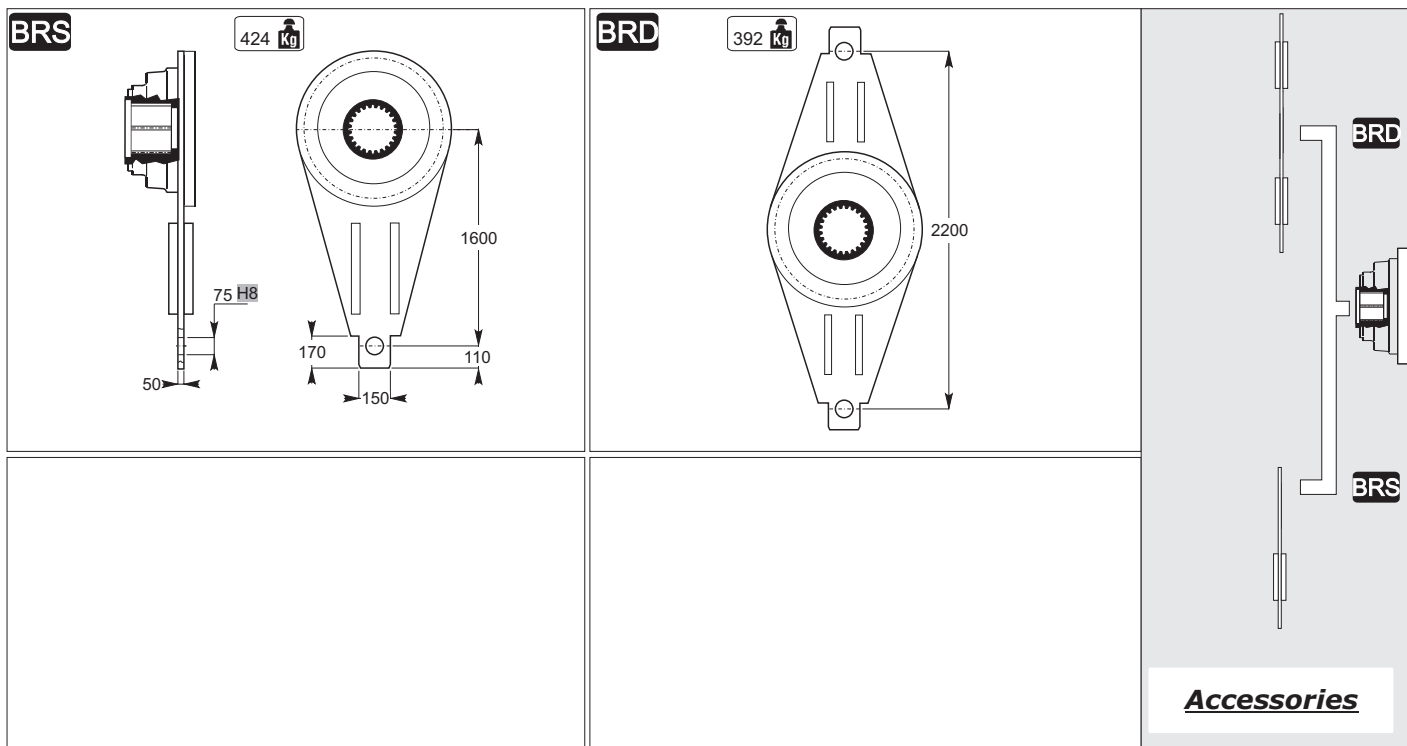
<p>SD</p>  <p><i>On request</i></p>		<p>SD</p>  <p>Accessories</p>

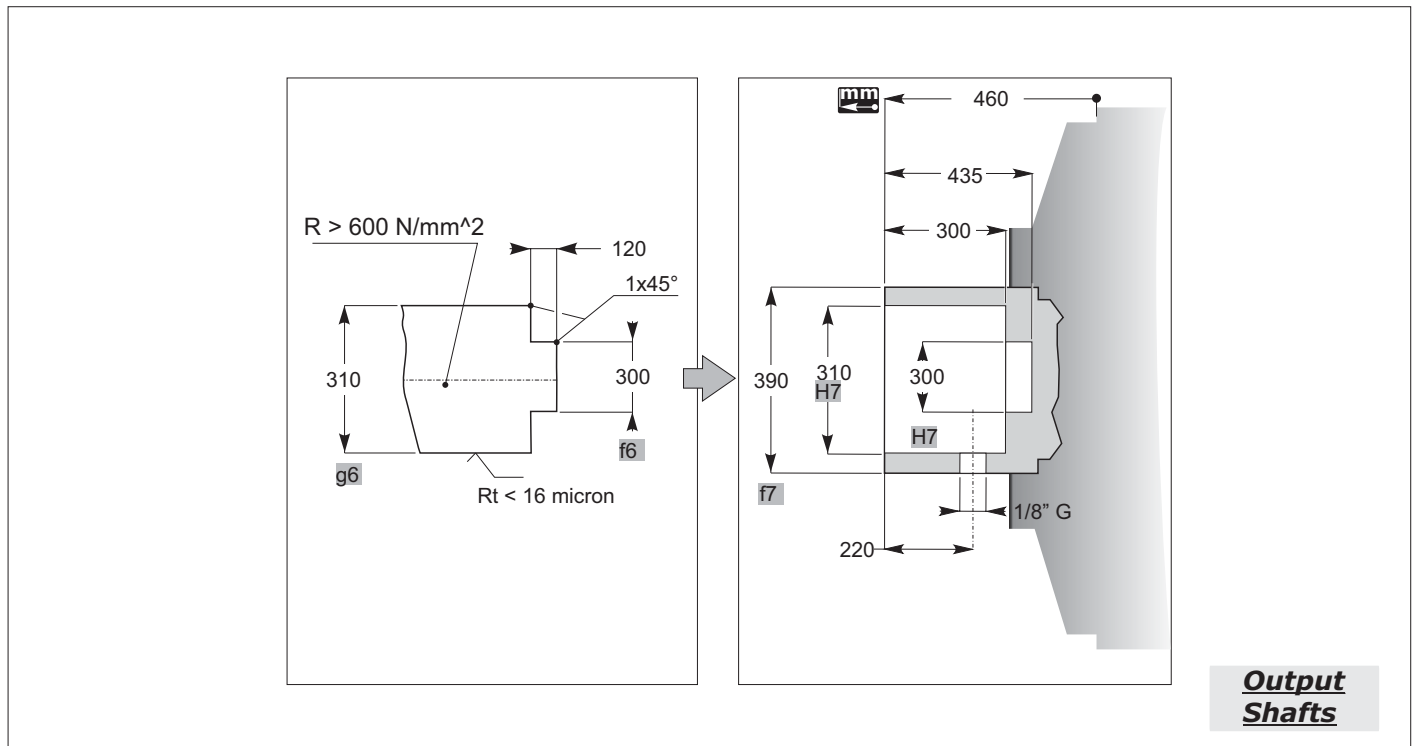
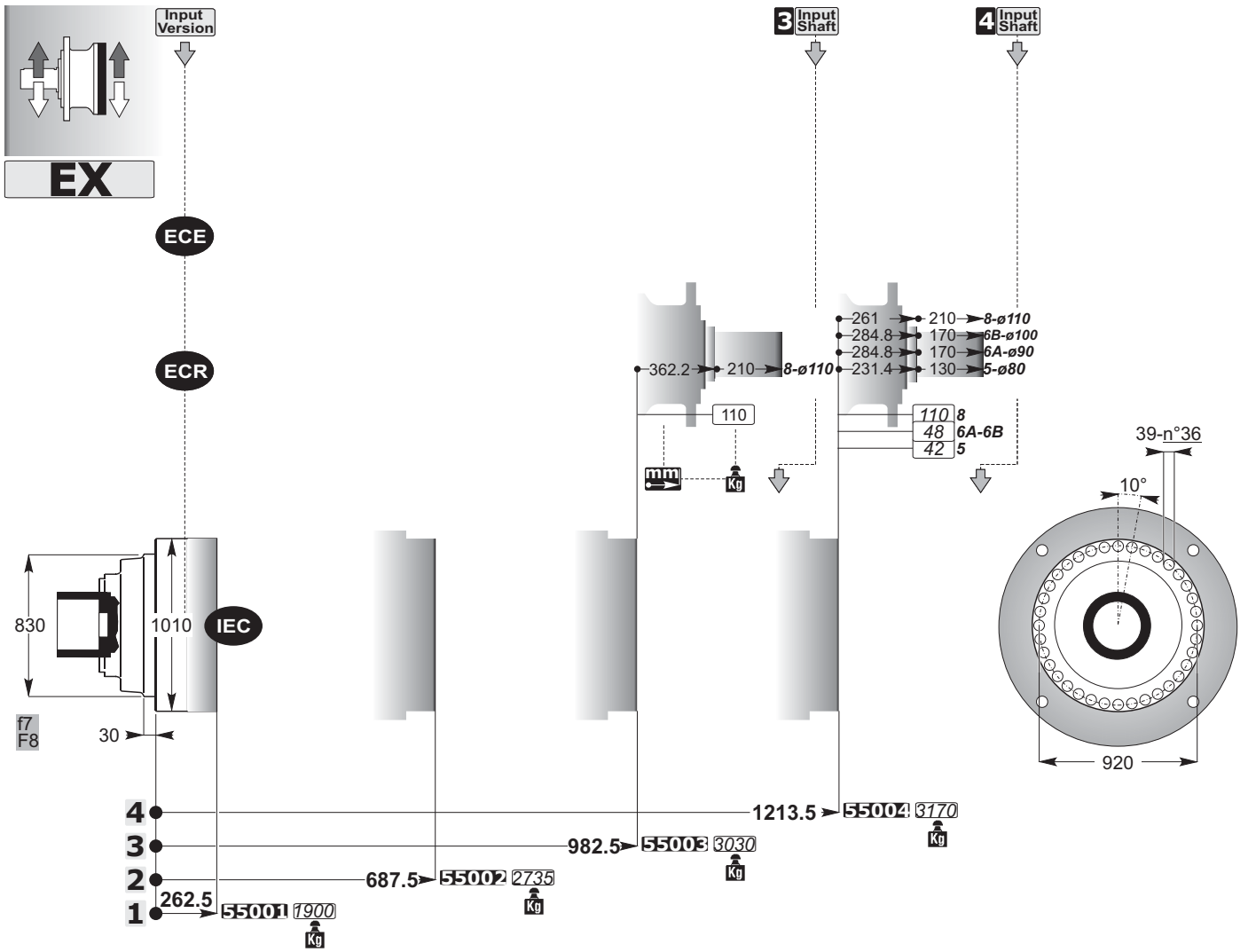
mm
C



EXB

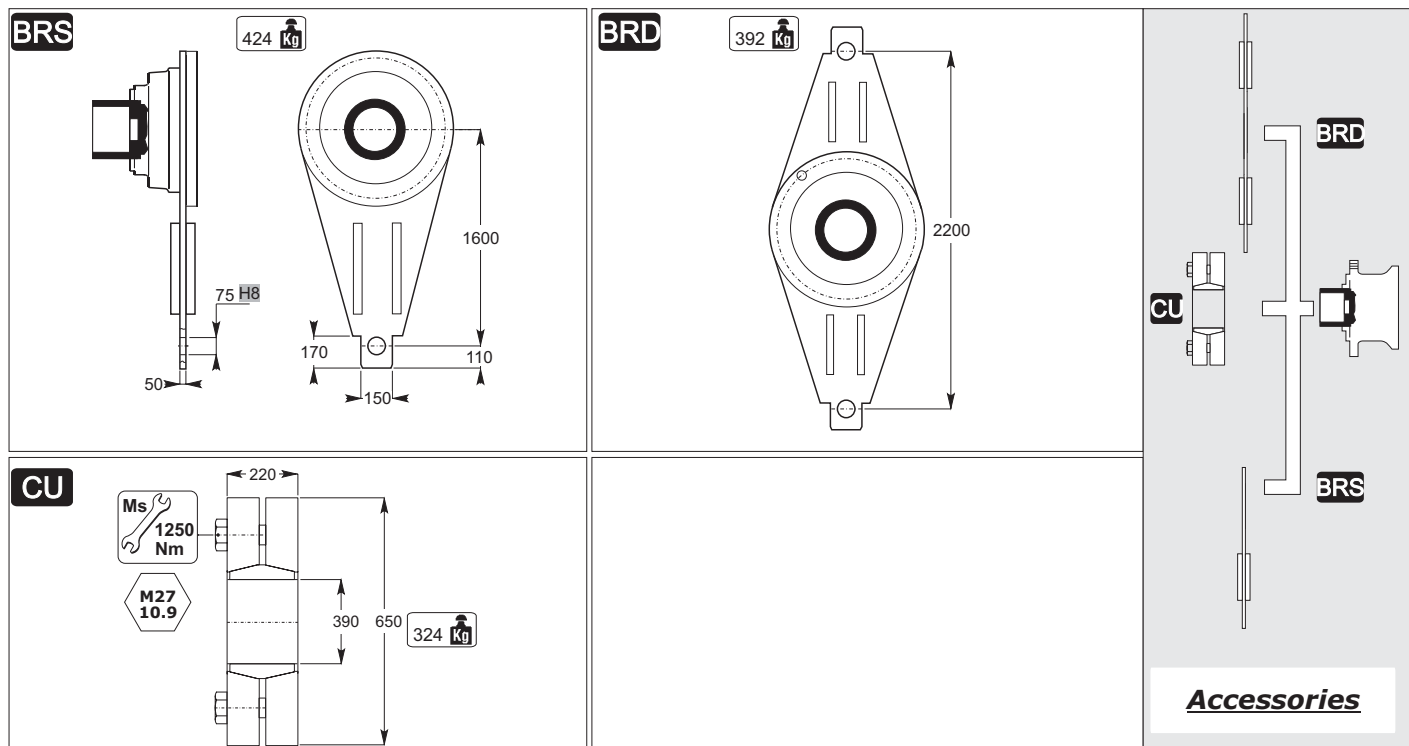
**non disponibile
not available
nicht verfügbar**



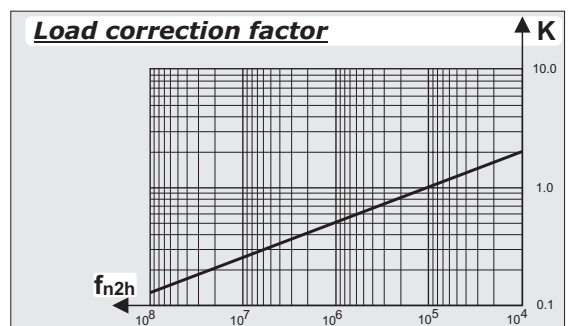
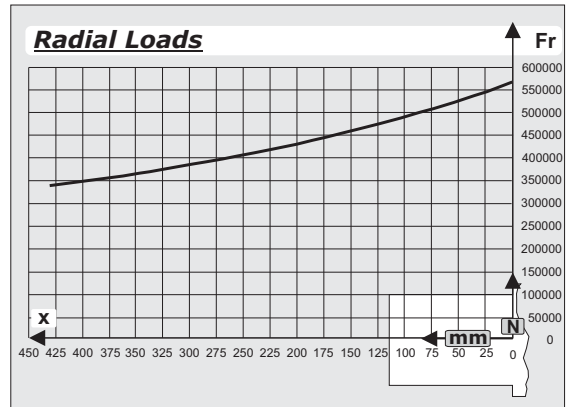
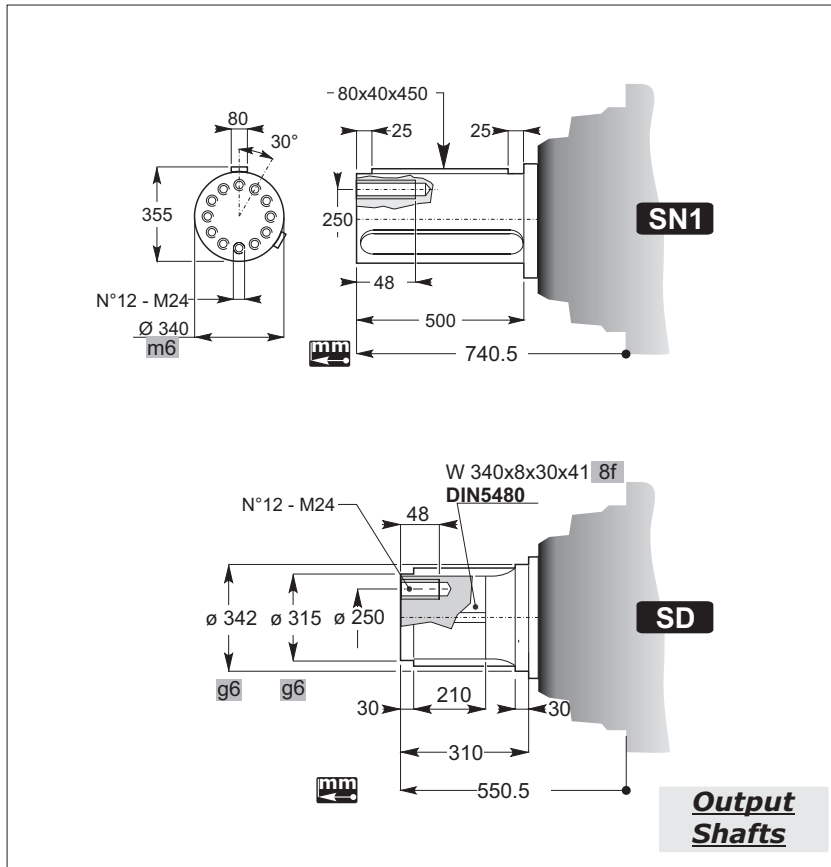
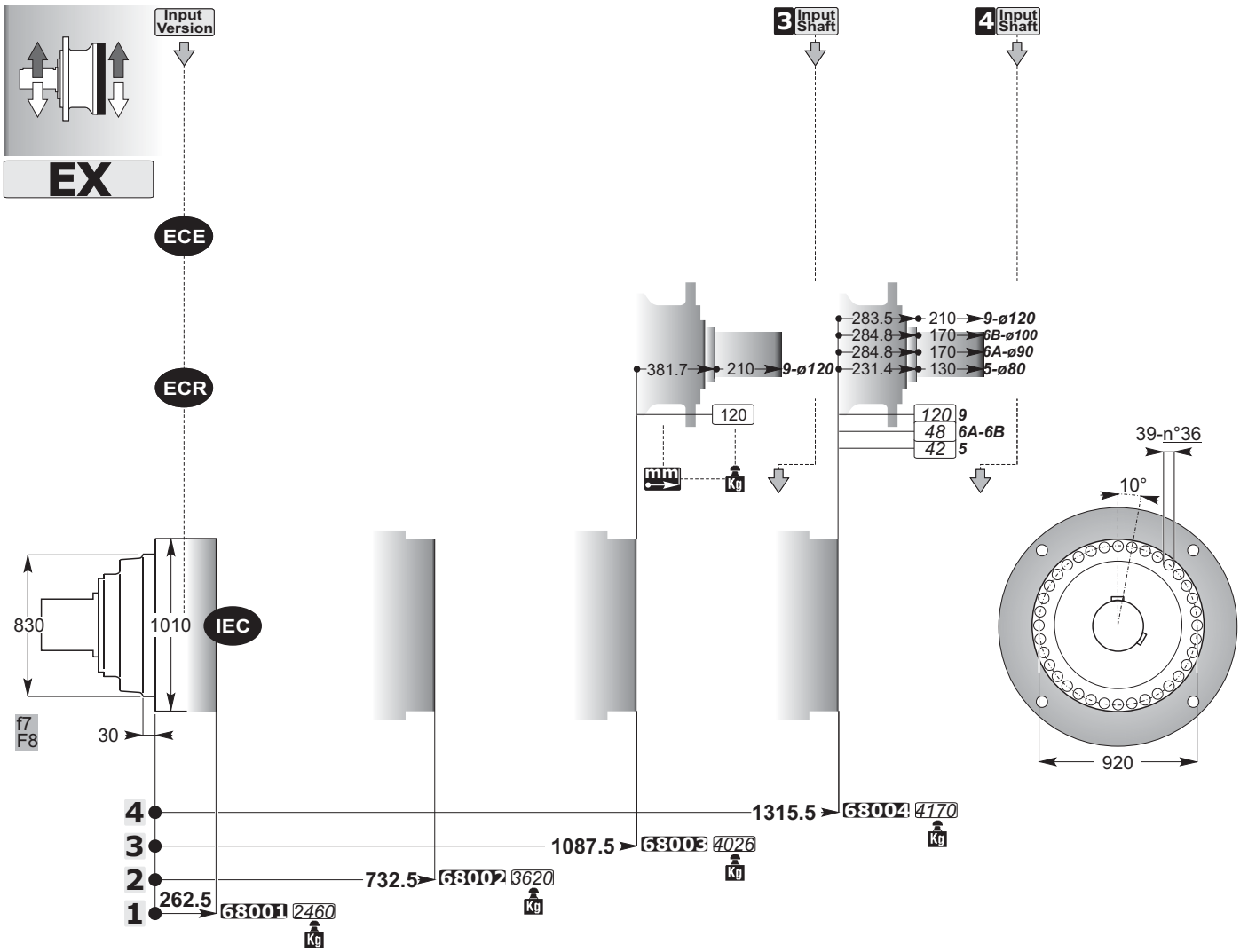


EXB

non disponibile
not available
nicht verfügbar



mm
C



EXB

non disponibile
not available
nicht verfügbar

ID

N 340x8x30x41 9H
DIN5480

ID	m	Z	X	De
	-	-	-	-

On request

FF

On request

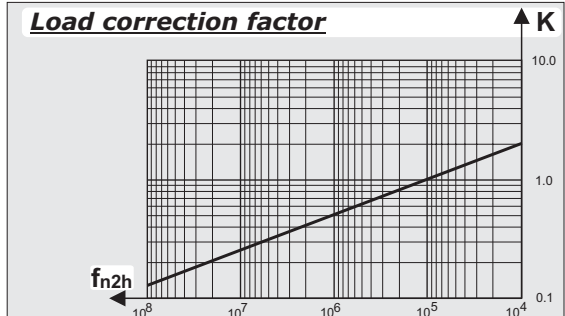
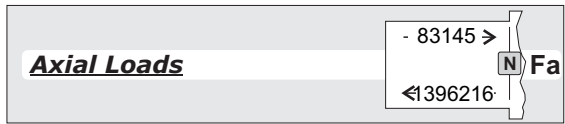
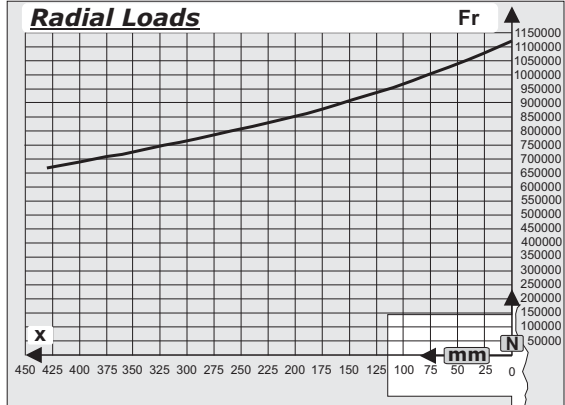
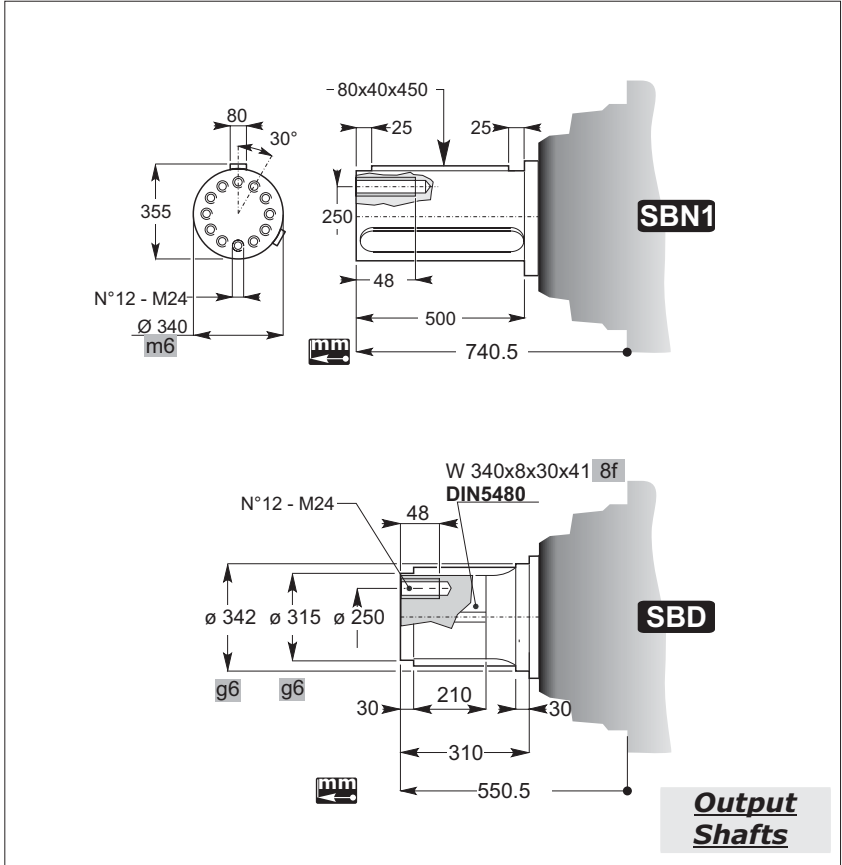
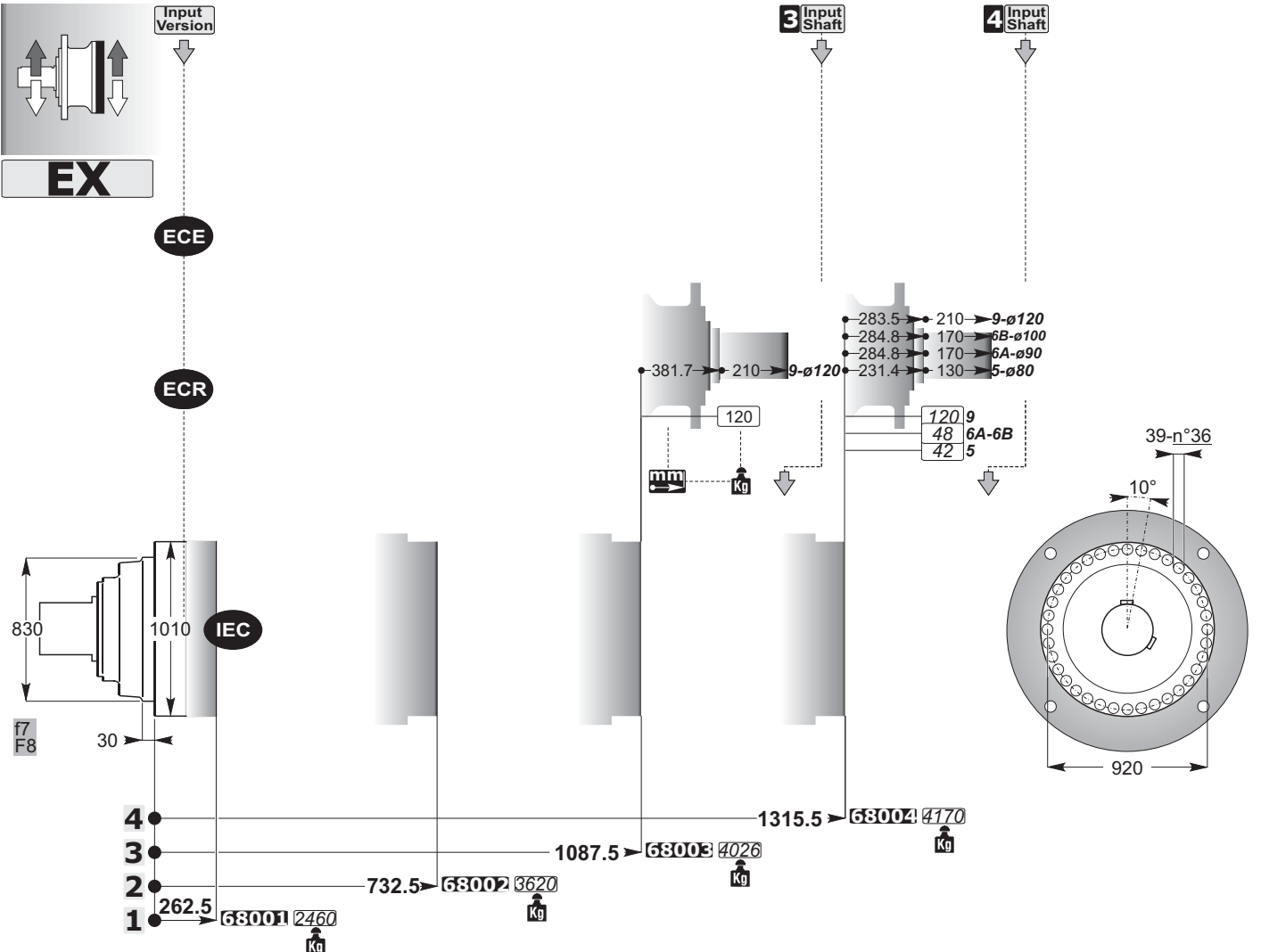
BD

N340x8x30x41 9H
DIN5480

On request

Accessories

mm
C



EXB

non disponibile
not available
nicht verfügbar

ID

N 340x8x30x41 9H
DIN5480

ID	m	Z	X	De

On request

FF

On request

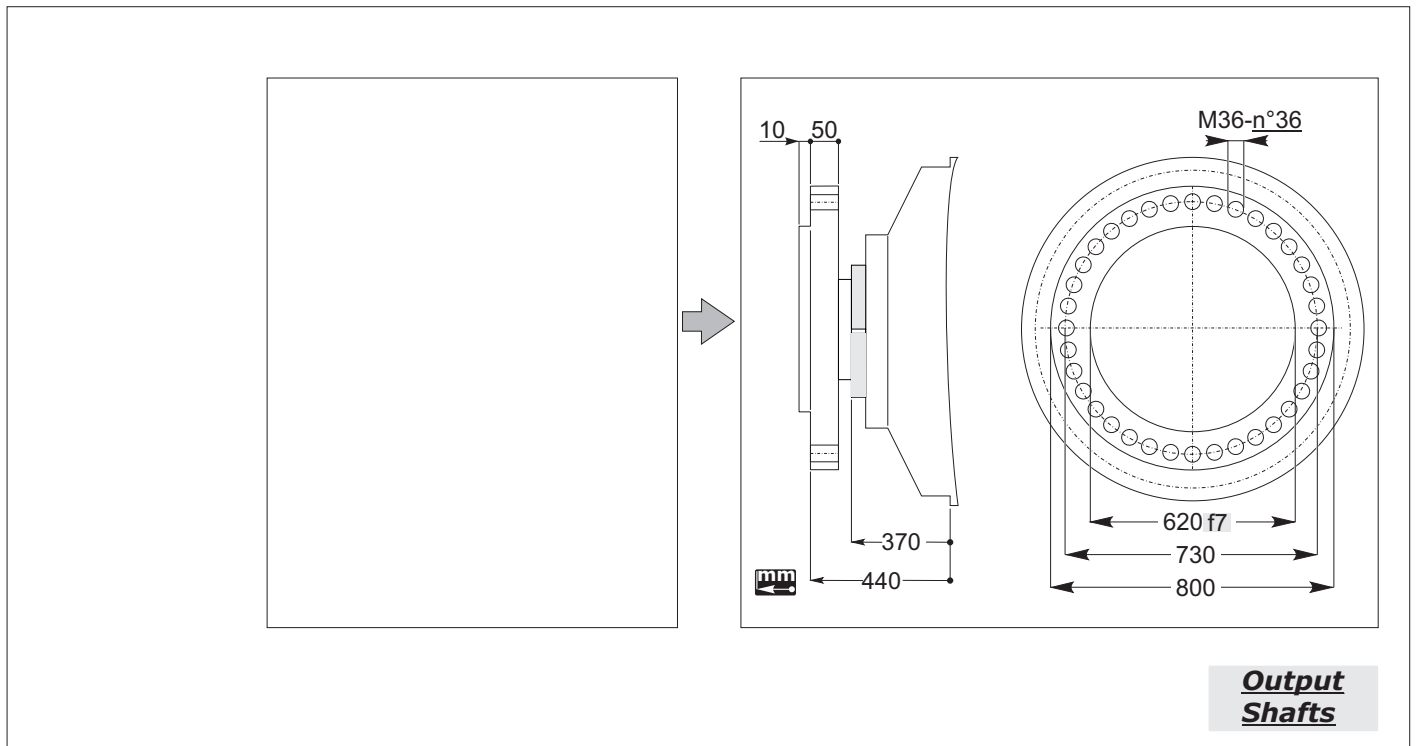
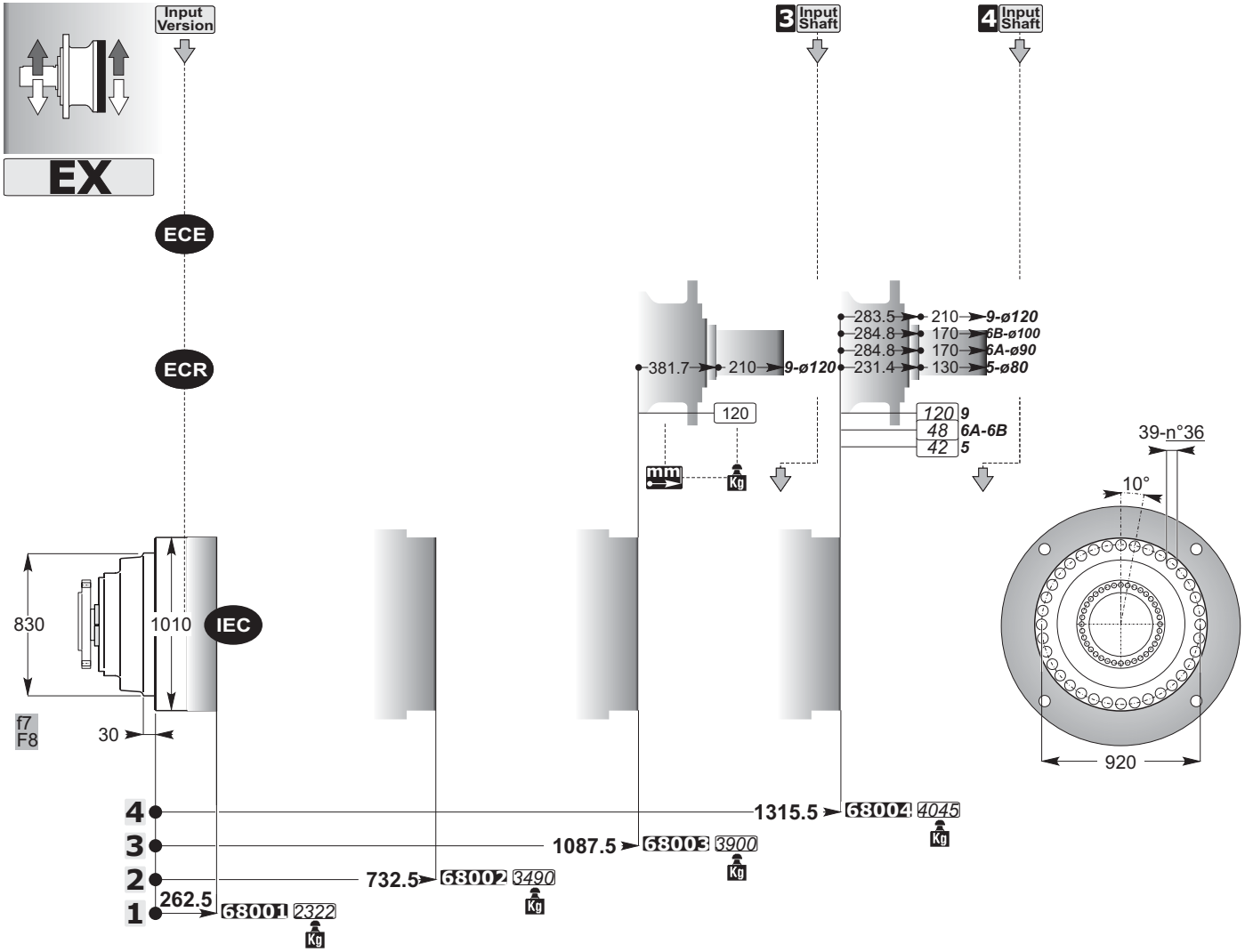
BD

N340x8x30x41 9H
DIN5480

On request

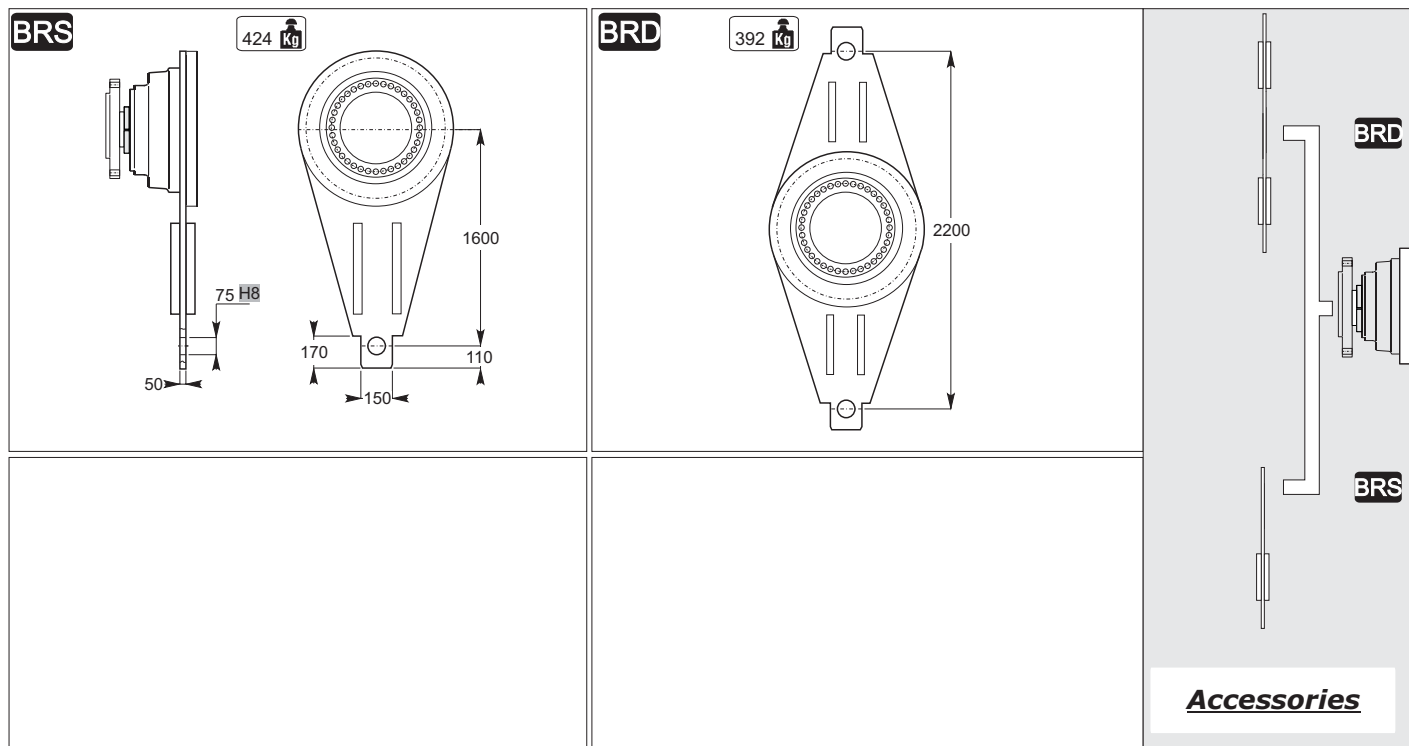
Accessories

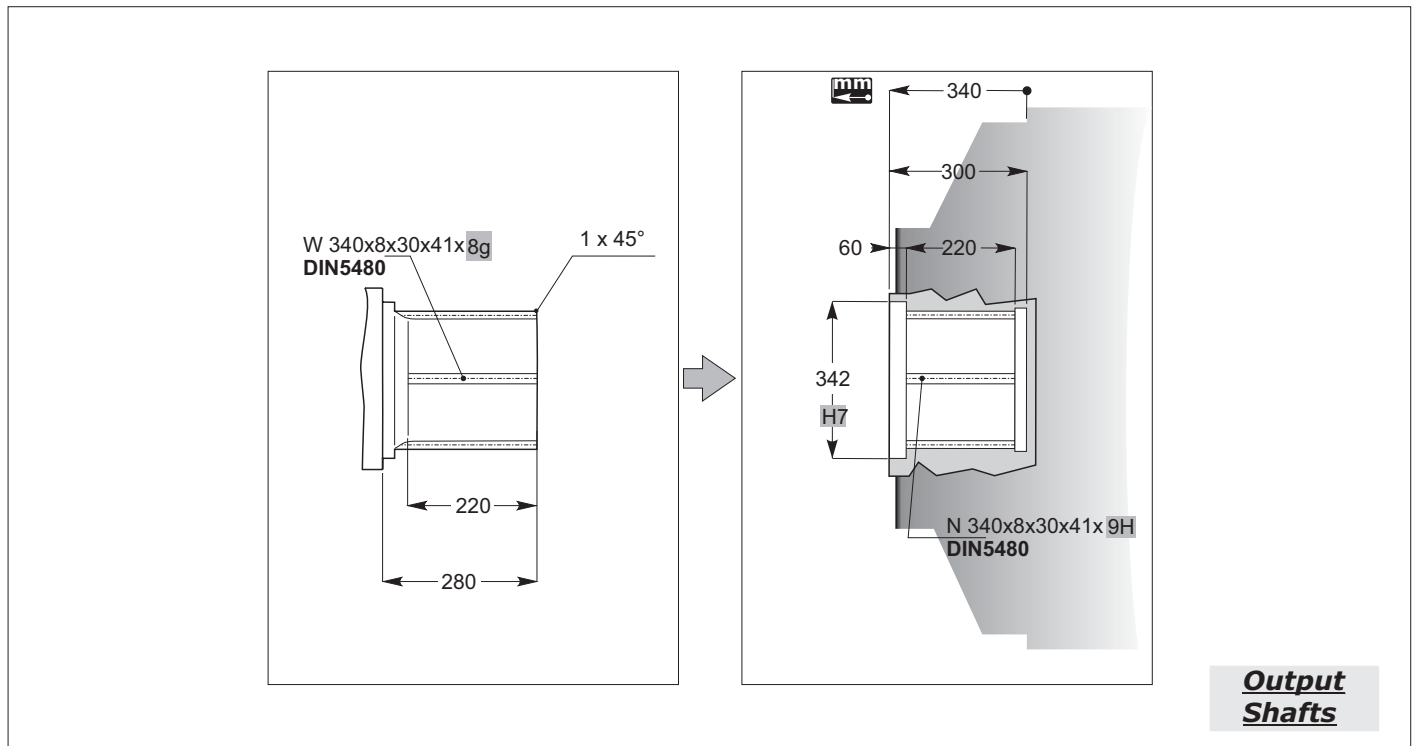
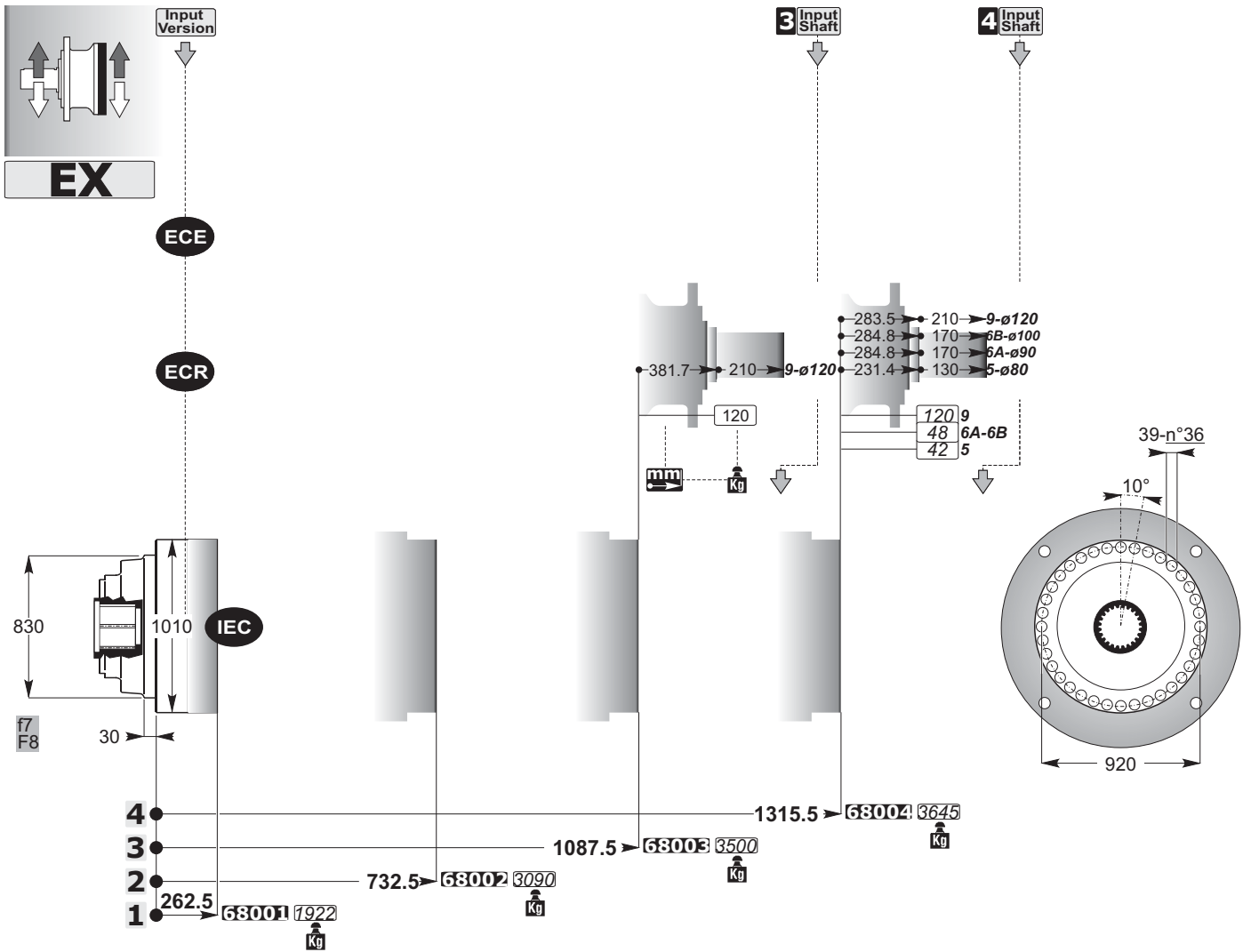




EXB

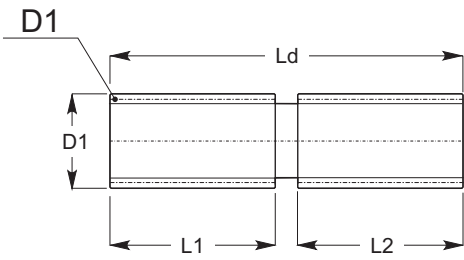

**non disponibile
not available
nicht verfügbar**



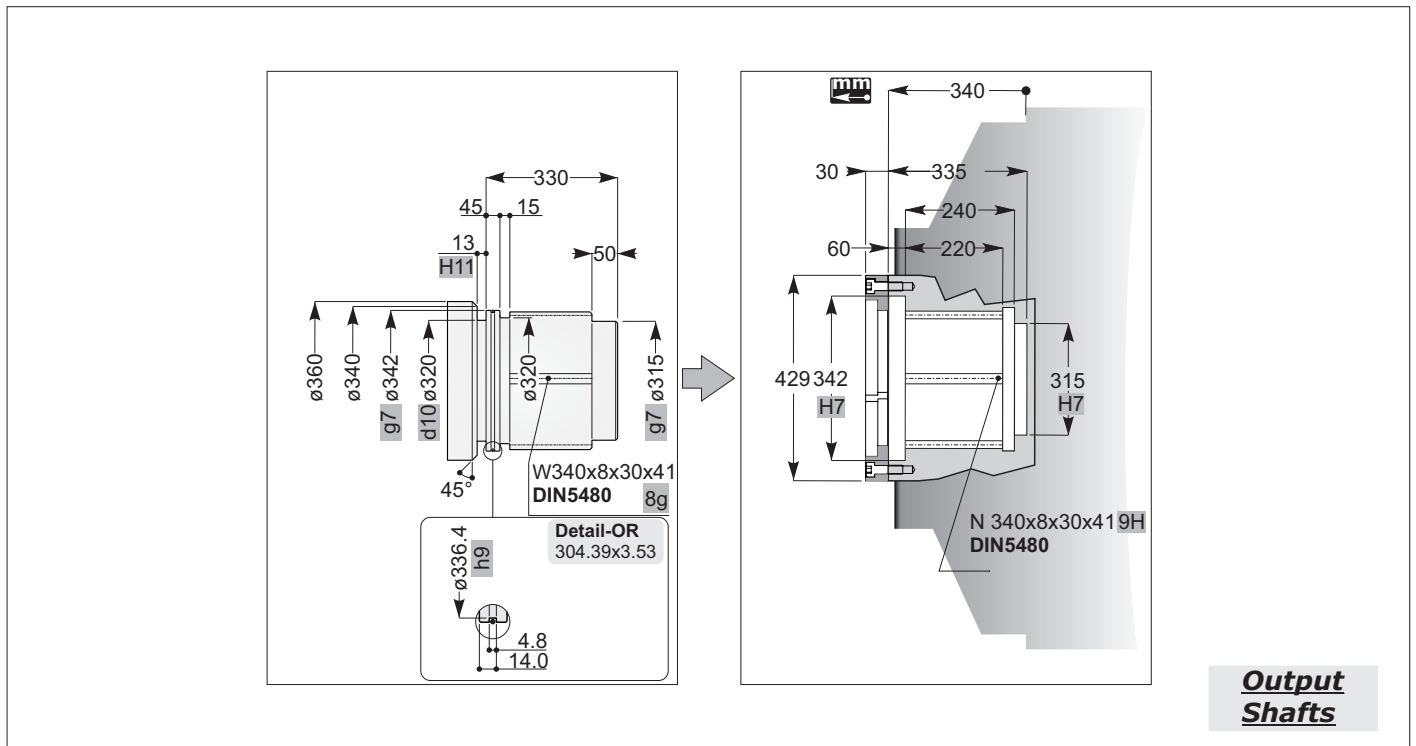
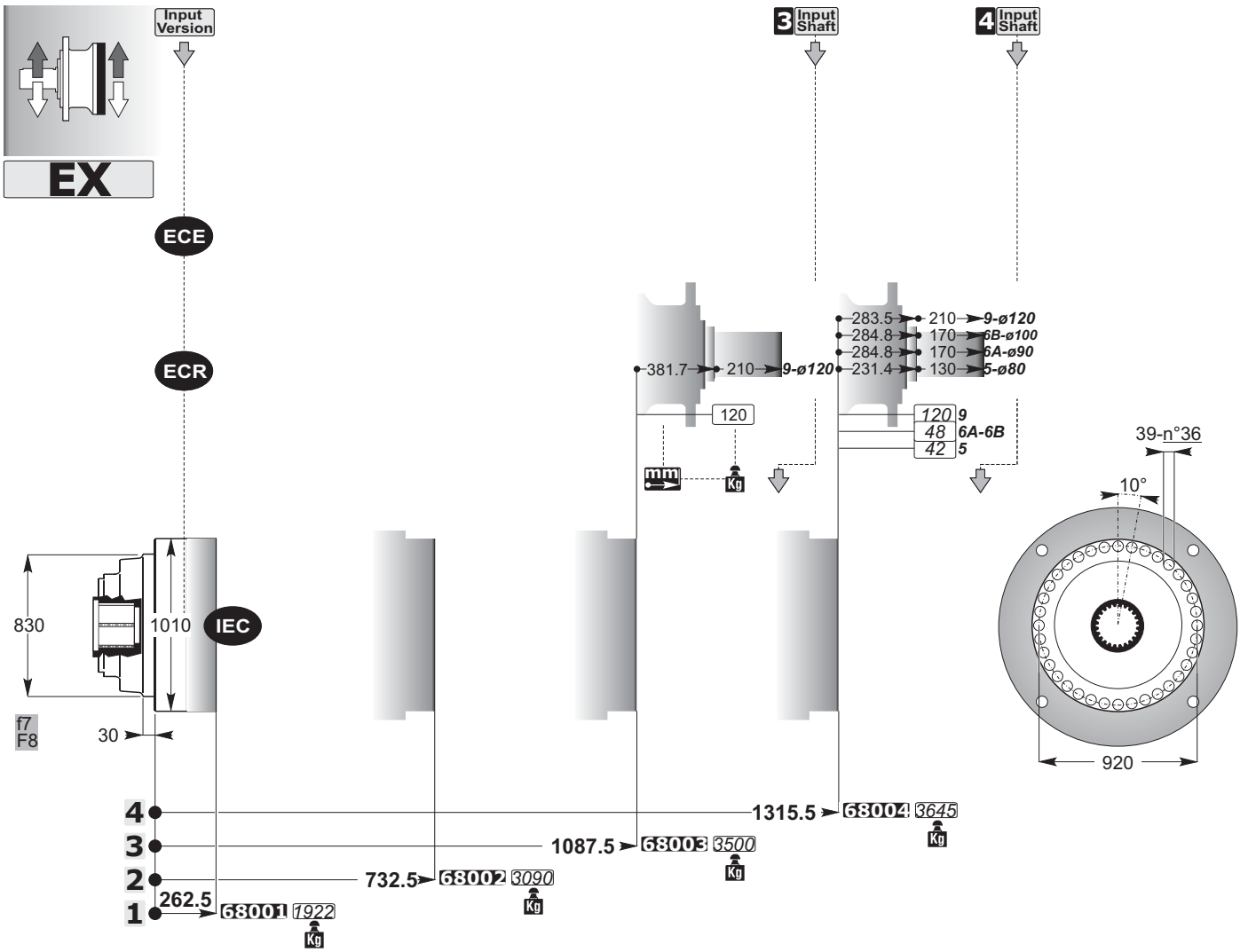


EXB

non disponibile
not available
nicht verfügbar

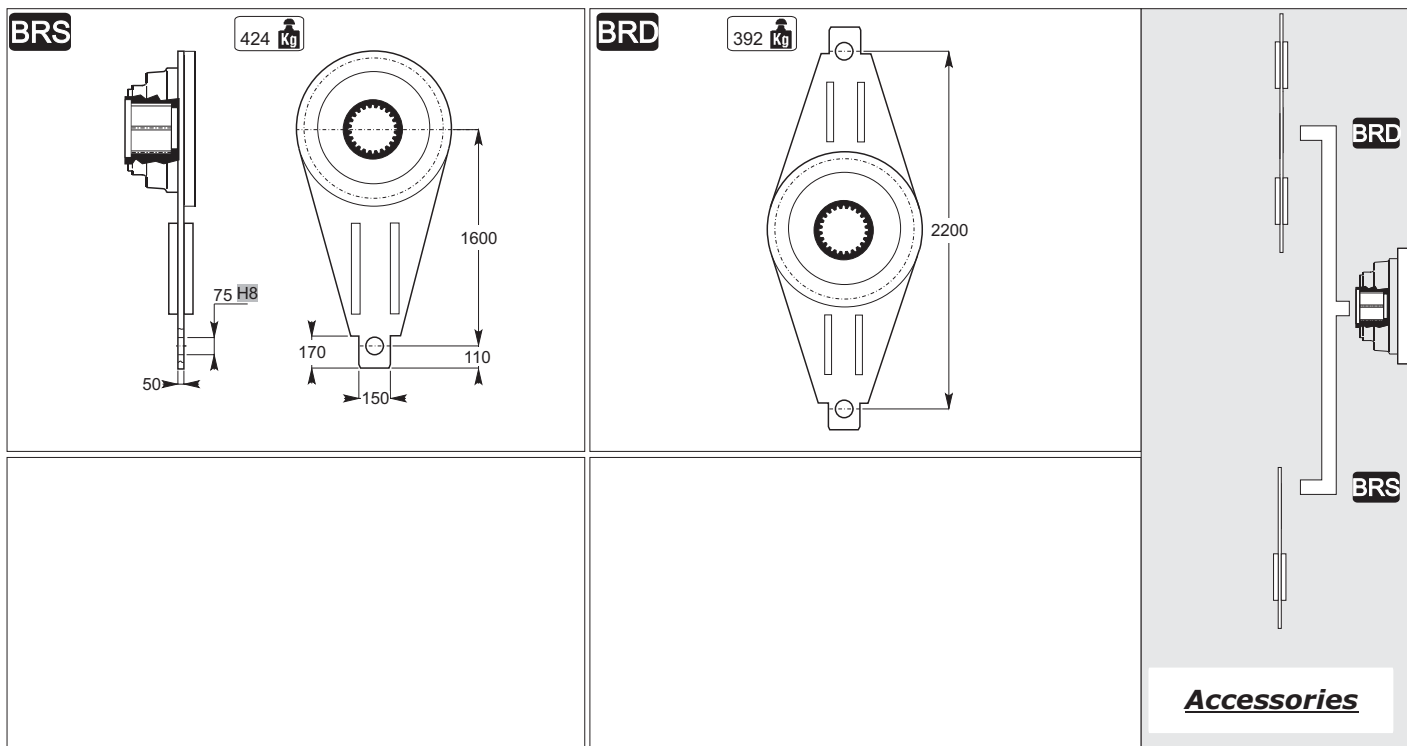
<p>SD</p>  <p><i>On request</i></p>		<p>SD</p>  <p>Accessories</p>

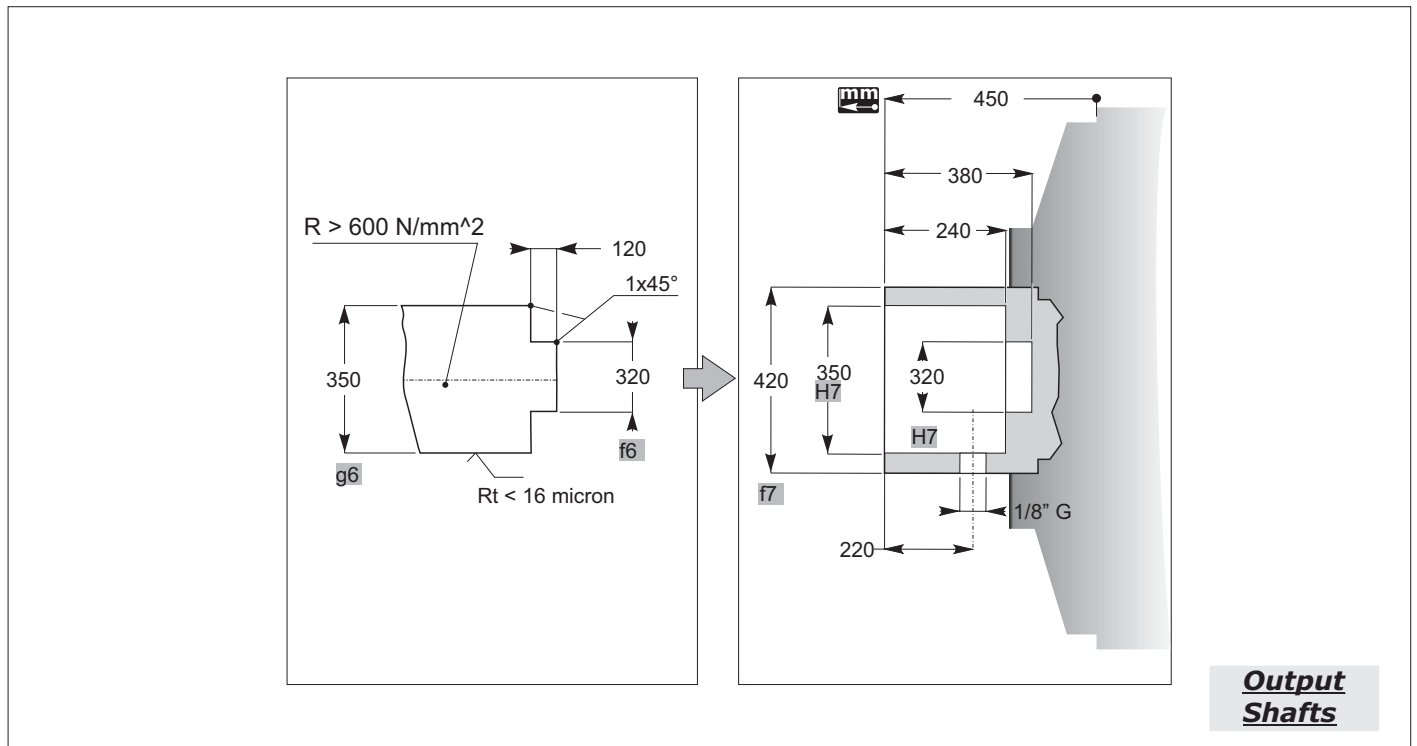
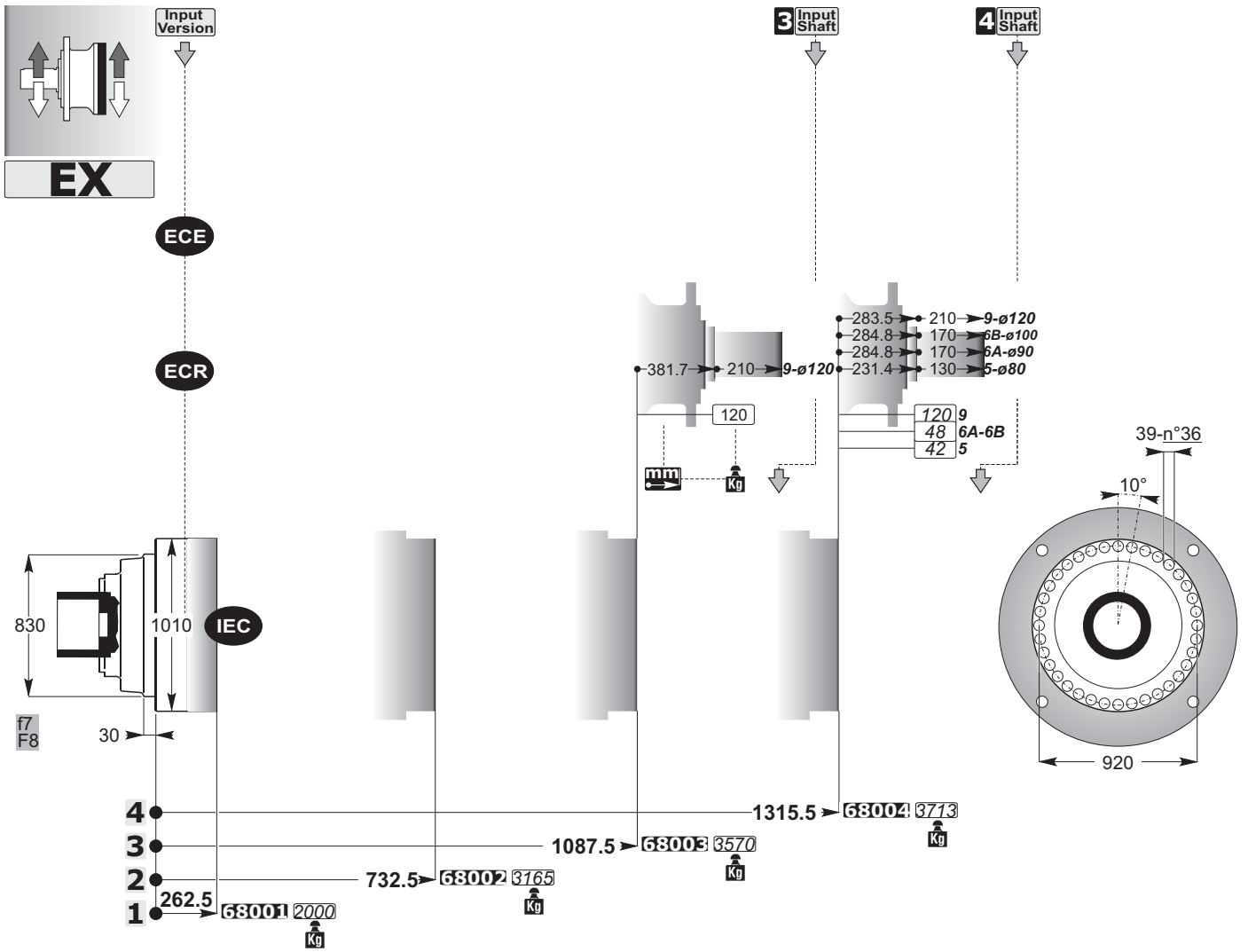
mm
C



EXB

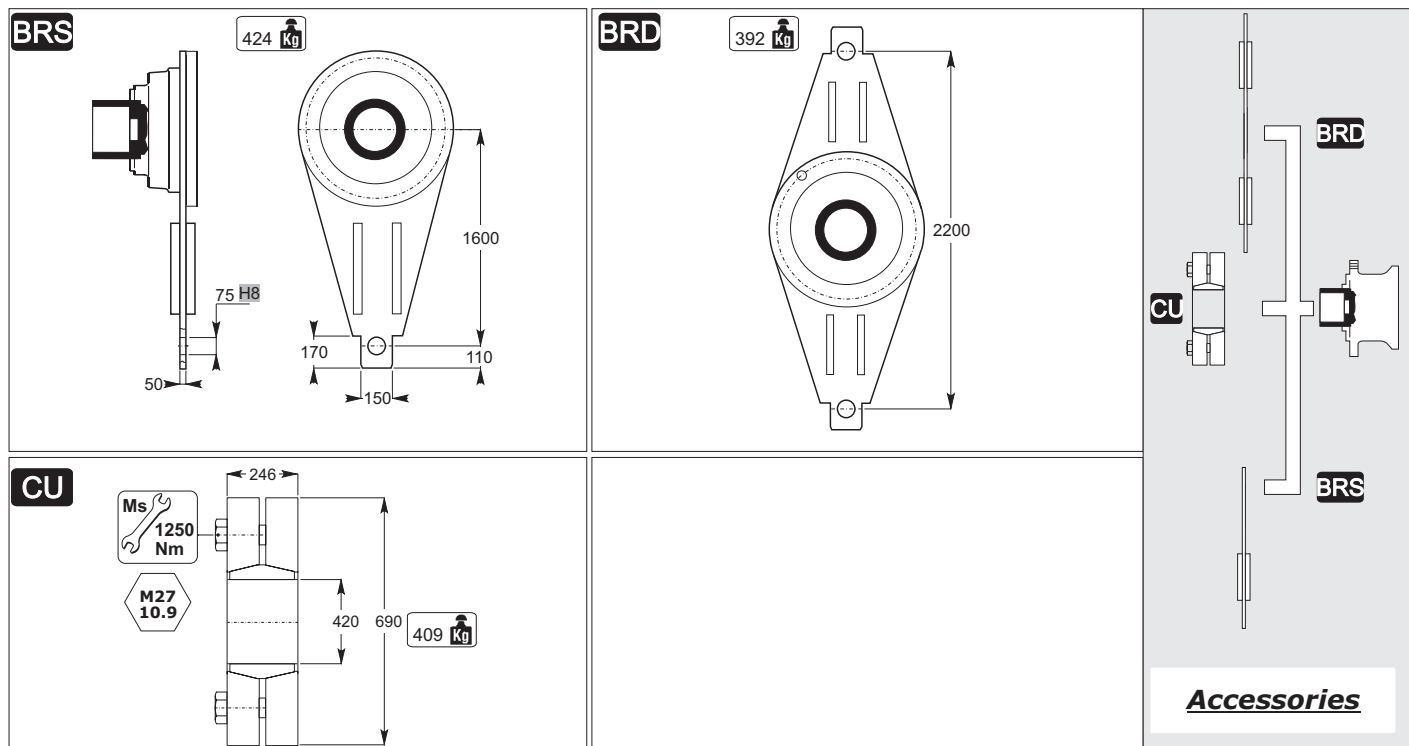
**non disponibile
not available
nicht verfügbar**



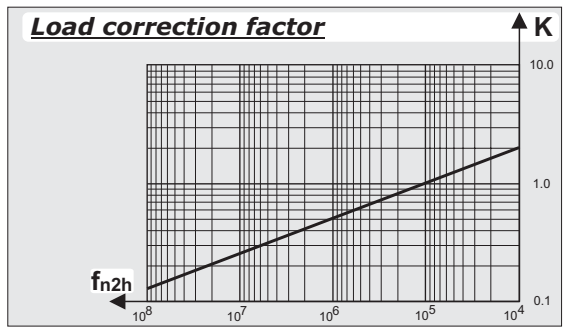
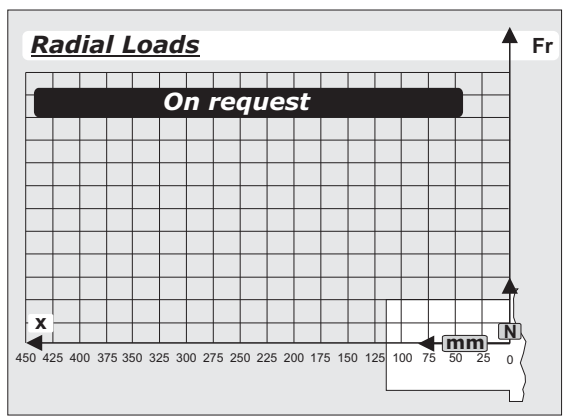
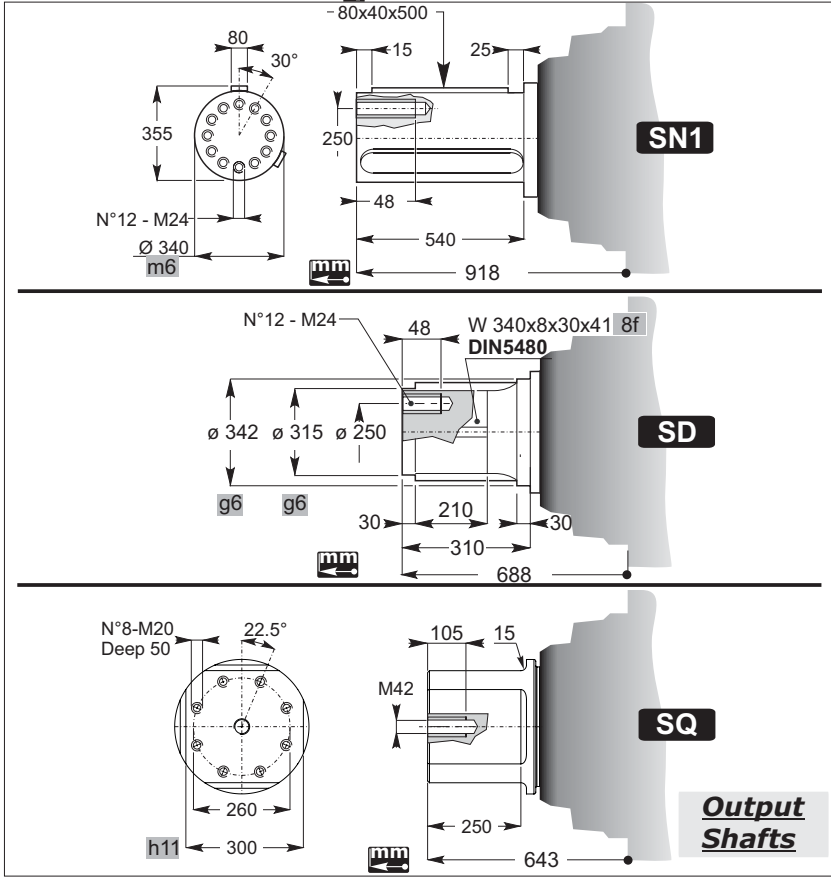
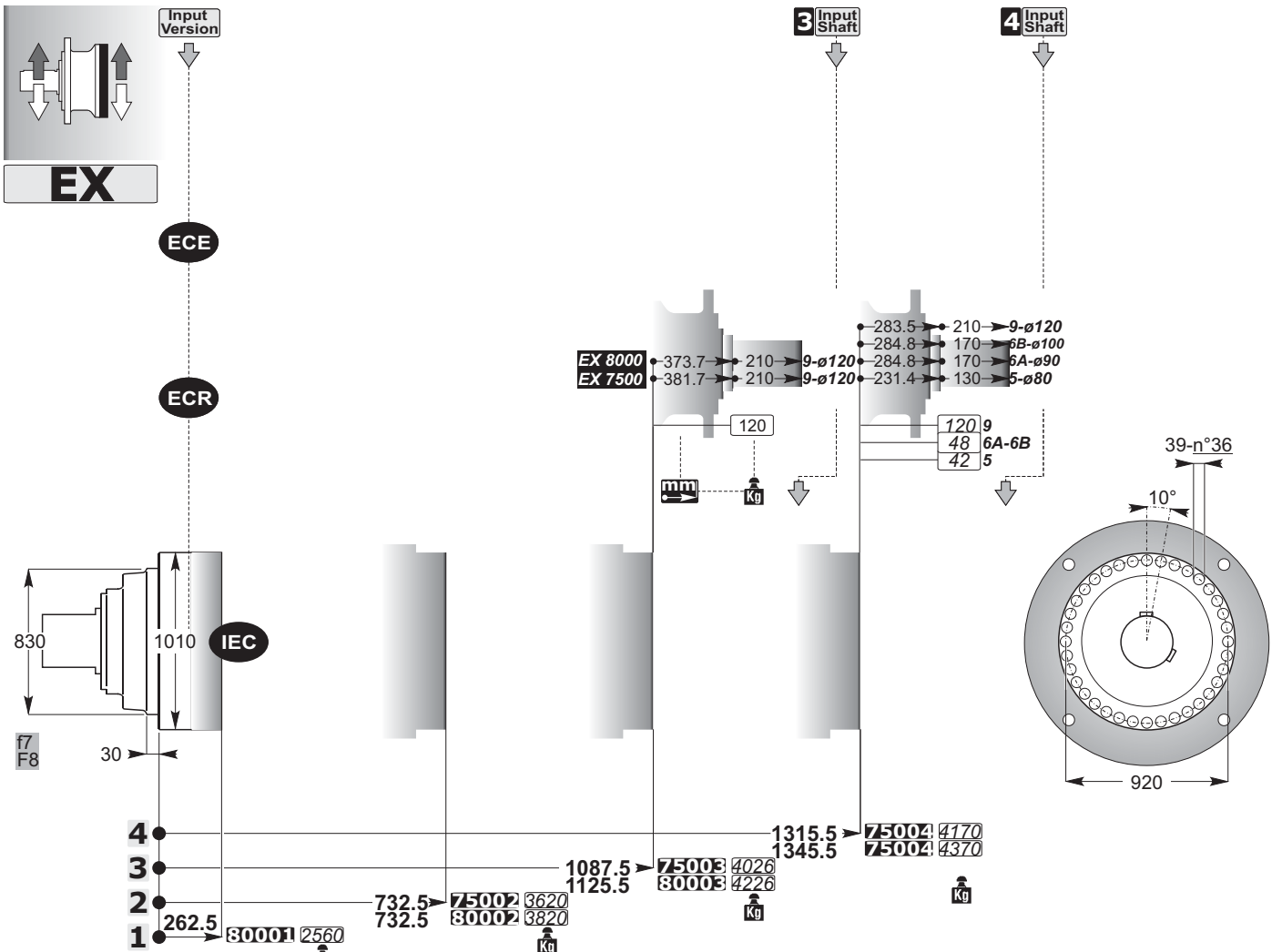


EXB

non disponibile
not available
nicht verfügbar



mm
C



EXB

non disponibile
not available
nicht verfügbar

ID

N 340x8x30x41 9H
DIN5480

ID	m	Z	X	De
-	-	-	-	-

On request

FF

On request

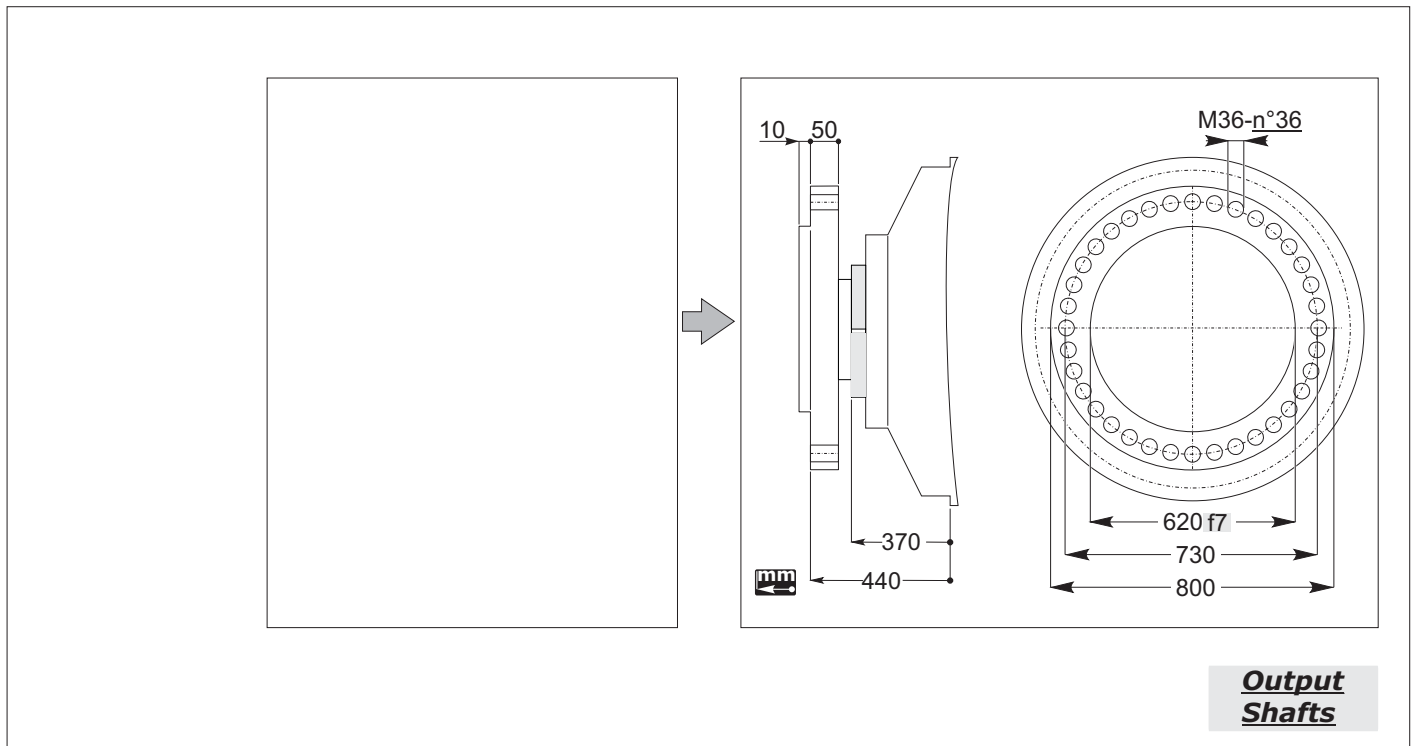
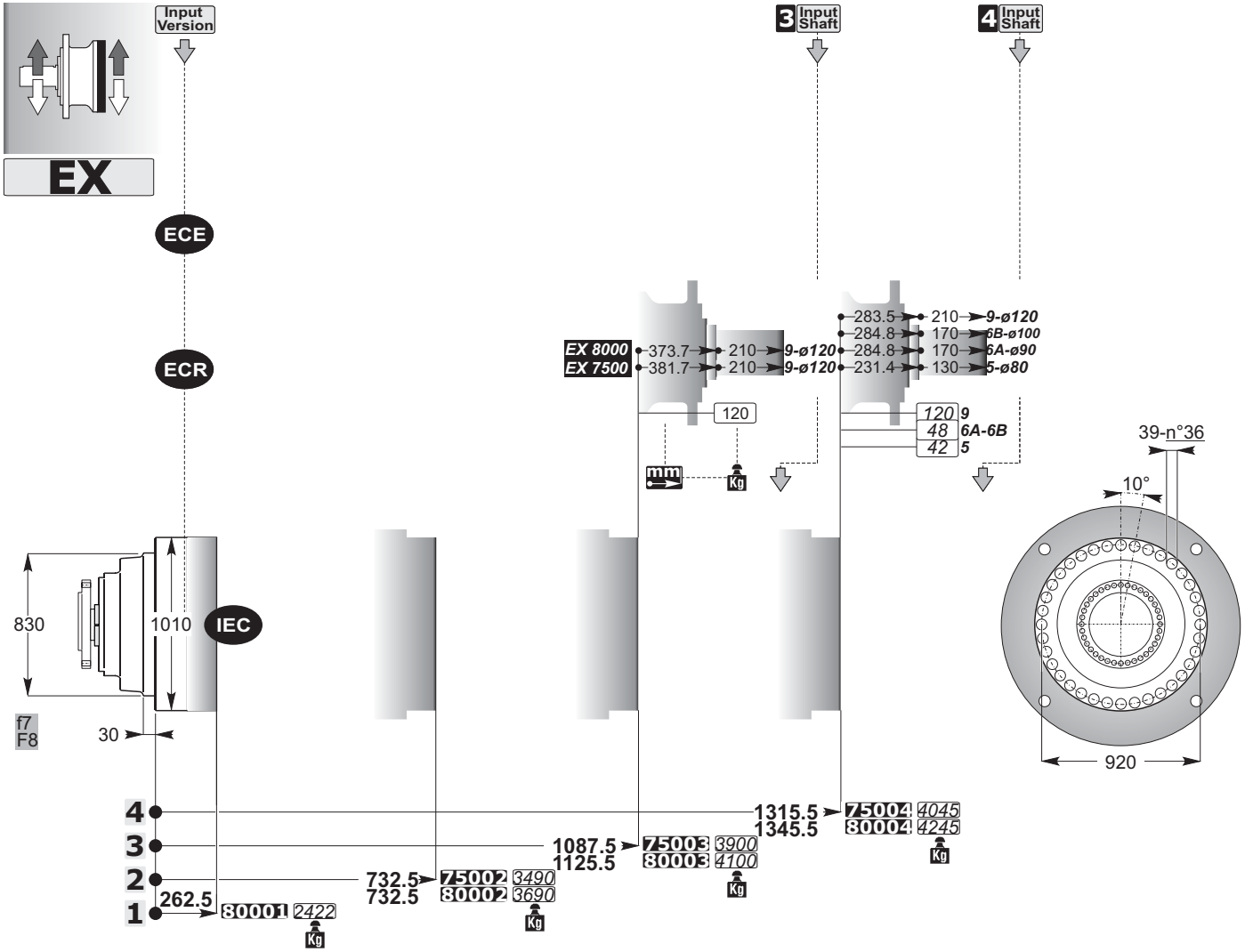
BD

N340x8x30x41 9H
DIN5480

On request

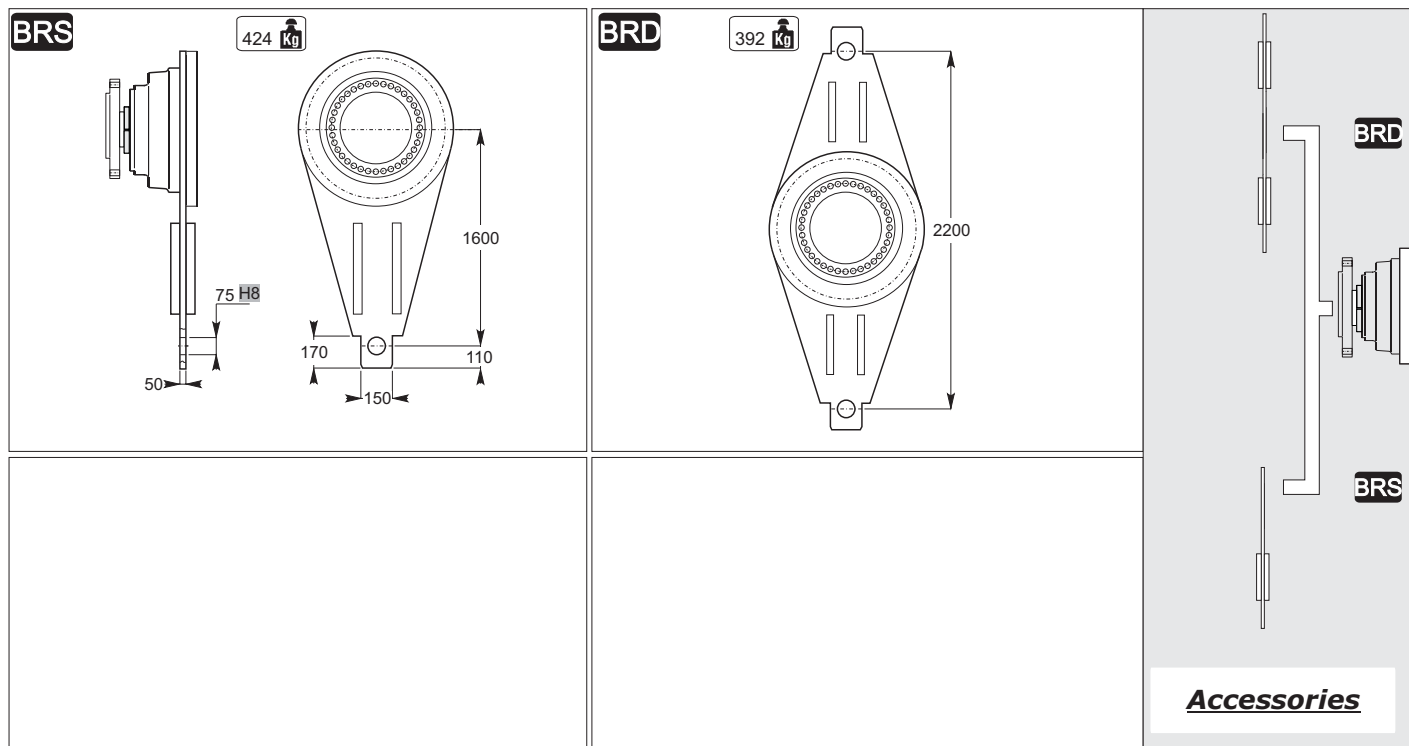
Accessories

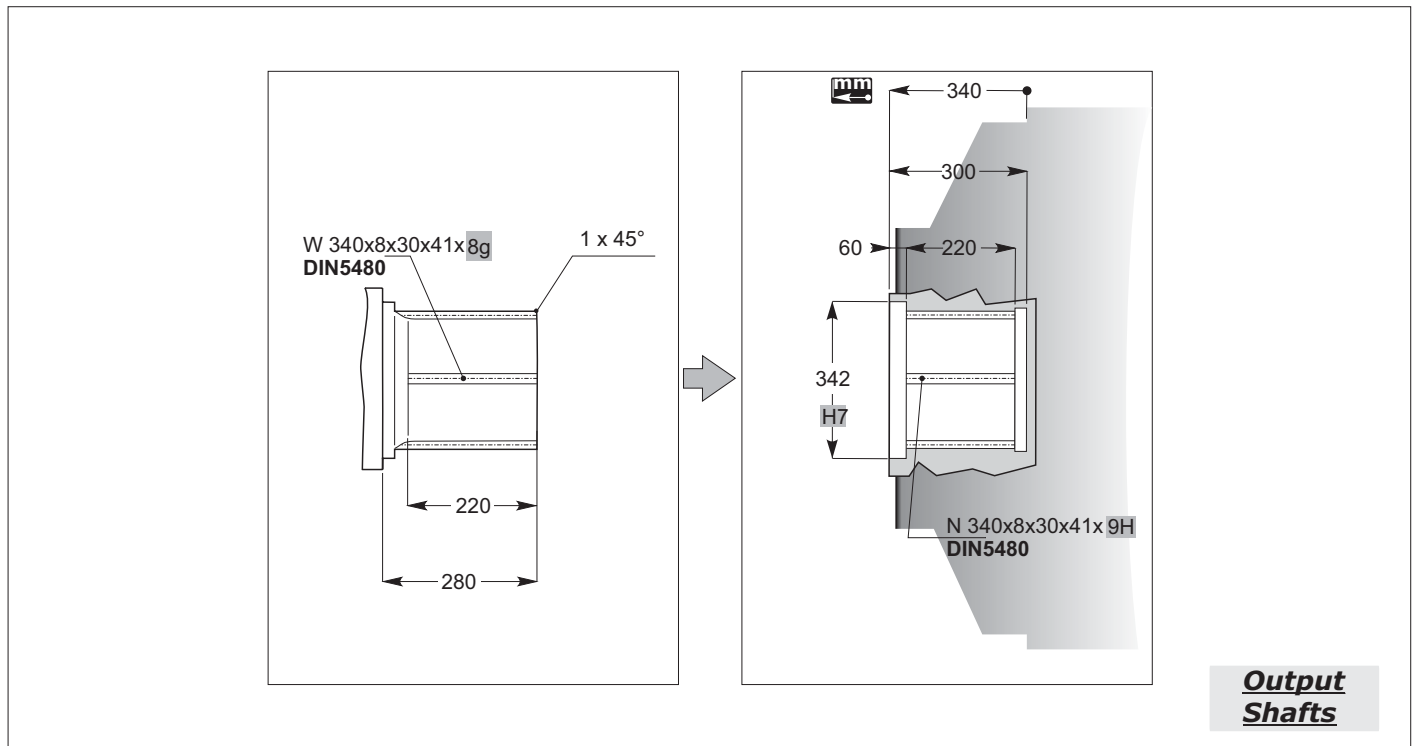
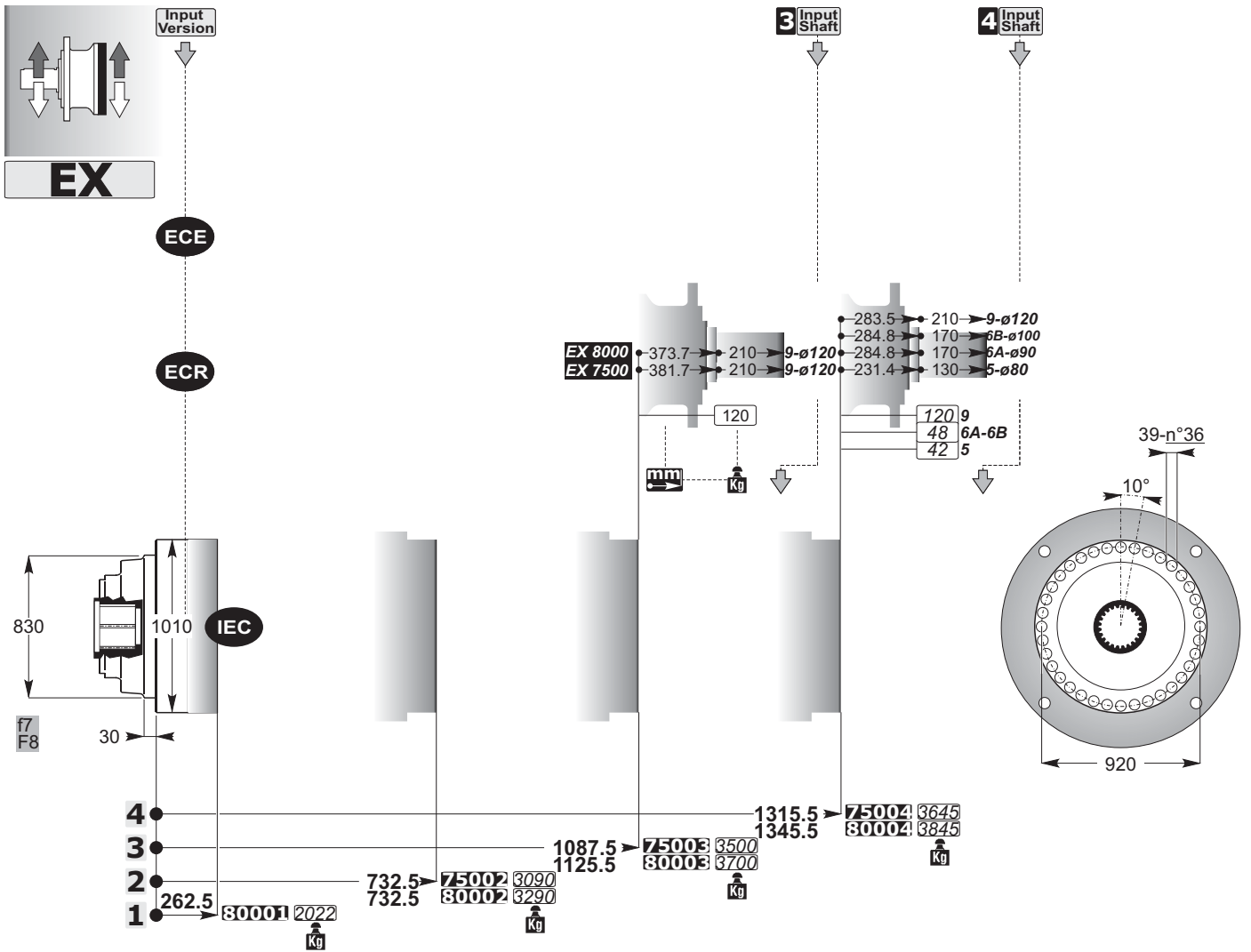
mm
C



EXB

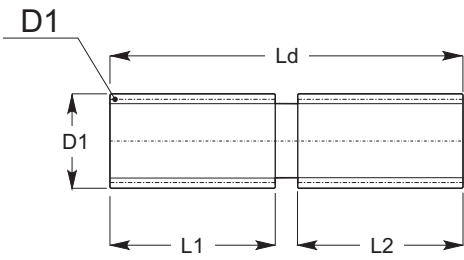

**non disponibile
not available
nicht verfügbar**



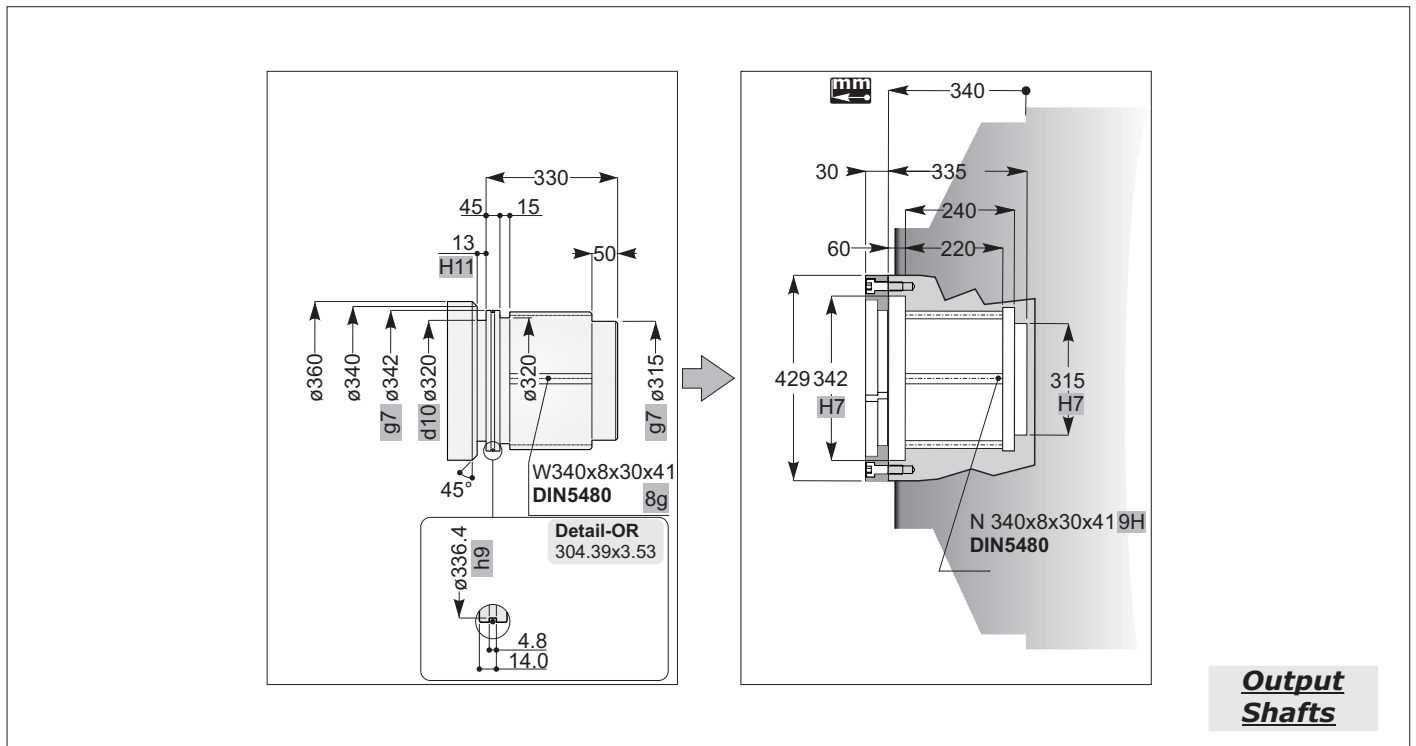
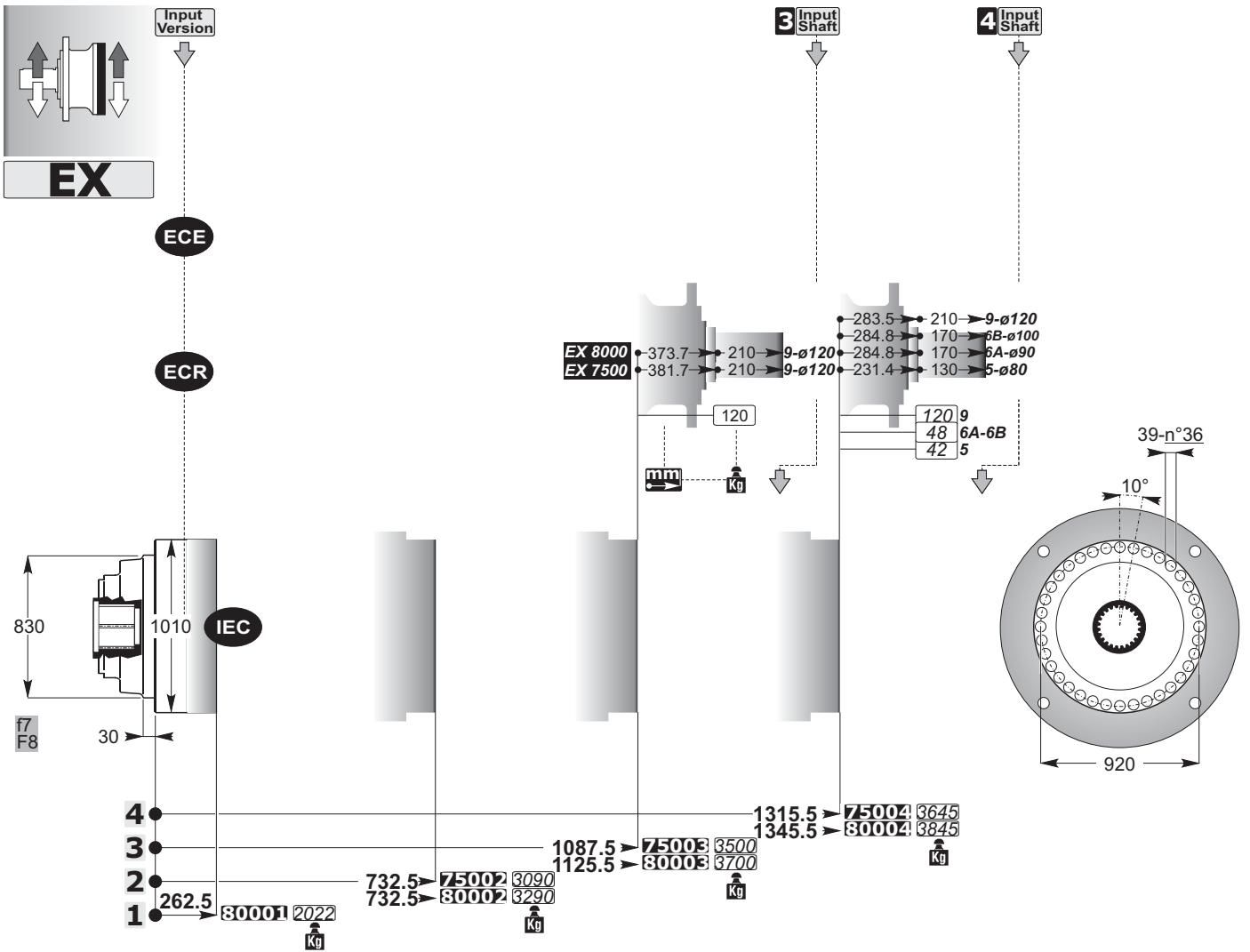


EXB

non disponibile
not available
nicht verfügbar

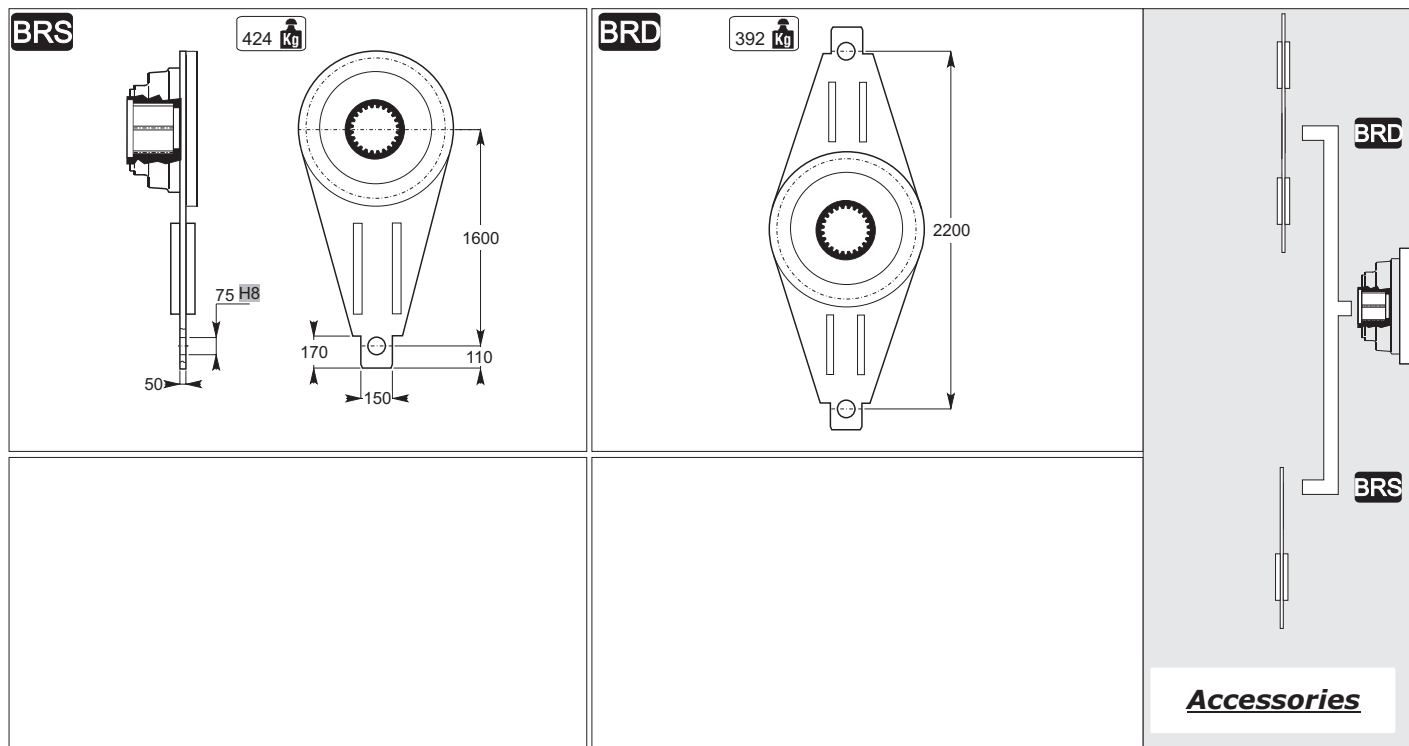
<p>SD</p>  <p><i>On request</i></p>		<p>SD</p>  <p>Accessories</p>

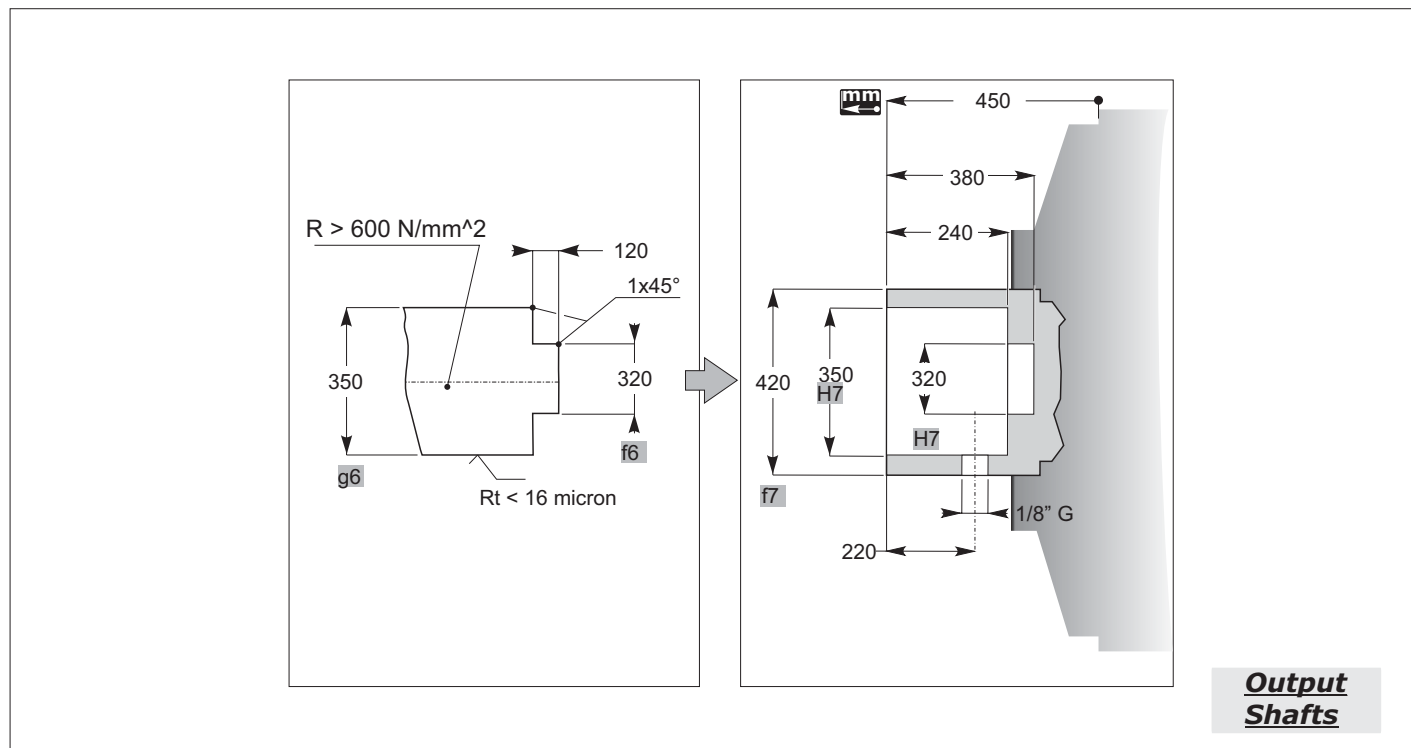
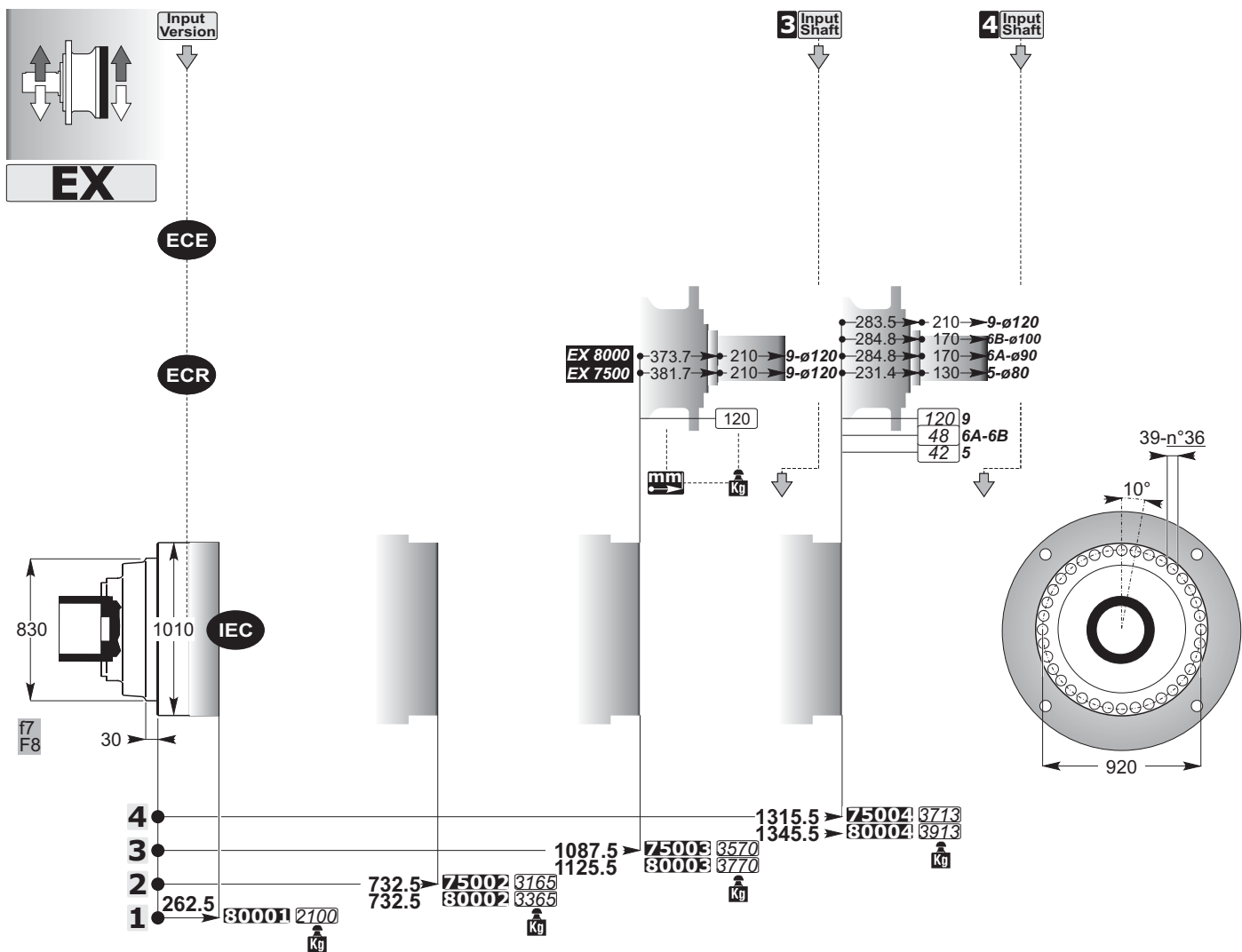
mm
C



EXB

**non disponibile
not available
nicht verfügbar**





EXB

non disponibile
not available
nicht verfügbar

